



US00D974590S

(12) **United States Design Patent**  
**Goudreault et al.**

(10) **Patent No.:** **US D974,590 S**  
(45) **Date of Patent:** **\*\* Jan. 3, 2023**

(54) **MODULAR OUTDOOR SERVER RACK AND FAN ENCLOSURE**

(71) Applicant: **NATIONAL ENVIRONMENTAL PRODUCTS LTD**, Montreal (CA)

(72) Inventors: **Alain Goudreault**, Ste-Marthe-sur-le-Lac (CA); **Claude Goudreault**, Delta (CA)

(73) Assignee: **NATIONAL ENVIRONMENTAL PRODUCTS LTD**, Montreal (CA)

(\*\*) Term: **15 Years**

(21) Appl. No.: **29/752,239**

(22) Filed: **Sep. 25, 2020**

(30) **Foreign Application Priority Data**

Apr. 3, 2020 (CA) ..... CA 194364

(51) **LOC (14) Cl.** ..... **25-03**

(52) **U.S. Cl.**  
USPC ..... **D25/1**

(58) **Field of Classification Search**  
USPC ..... D25/1-35  
CPC ..... H05K 7/14; H05K 7/20; E06B 2007/023; E04H 5/00  
See application file for complete search history.

(56) **References Cited**

**U.S. PATENT DOCUMENTS**

- D115,003 S \* 5/1939 Owings ..... D25/18
- 2,787,028 A \* 4/1957 Webb ..... A01K 1/033  
52/302.1
- 2,888,070 A \* 5/1959 Smith ..... E06B 9/52  
D25/56
- D203,104 S \* 12/1965 Aspatore ..... D25/16
- D204,056 S \* 3/1966 Bartley ..... D25/16
- 3,256,860 A \* 6/1966 Parker ..... A01K 1/033  
D25/16

- 3,500,595 A \* 3/1970 Bennett ..... E04B 1/3483  
D25/123
  - 3,517,468 A \* 6/1970 Thomas ..... E04B 1/8218  
D25/16
  - D275,893 S \* 10/1984 Duggar ..... D25/1
  - 4,897,972 A \* 2/1990 Stollery ..... E04H 1/1205  
D25/6
  - D321,941 S \* 11/1991 Stollery ..... D25/1
  - 5,136,463 A \* 8/1992 Webster ..... H02B 7/06  
174/559
  - D344,140 S \* 2/1994 Webster ..... D25/33
- (Continued)

**FOREIGN PATENT DOCUMENTS**

- WO 2011119143 A1 9/2011
- WO 2019164939 A1 8/2019

*Primary Examiner* — Brett Miller

*Assistant Examiner* — Jasmine L. Comedy

(74) *Attorney, Agent, or Firm* — Crawford Maunu PLLC

(57) **CLAIM**

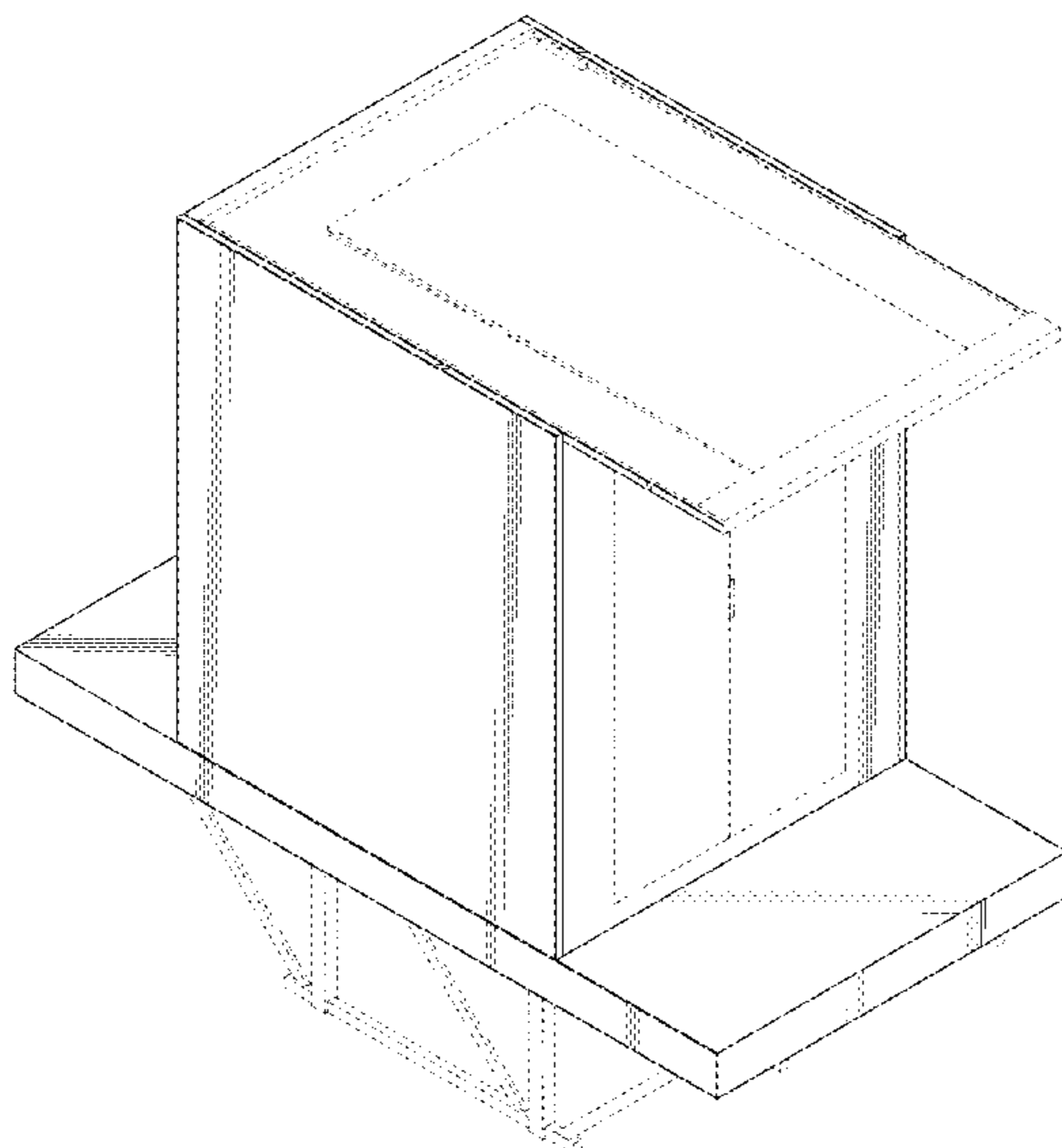
The ornamental design for a modular outdoor server rack and fan enclosure, as shown and described.

**DESCRIPTION**

FIG. 1 is a front perspective view of the article;  
 FIG. 2 is a rear perspective view of the article;  
 FIG. 3 is a front elevation view of the article;  
 FIG. 4 is a rear elevation view of the article;  
 FIG. 5 is a left side elevation view of the article;  
 FIG. 6 is a right side elevation view of the article;  
 FIG. 7 is a top plan view of the article; and,  
 FIG. 8 is a bottom plan view of the article.

The broken lines immediately adjacent the shaded areas represent the bounds of the claimed design while all other broken lines are directed to environment and are for illustrative purposes only; the portions shown in broken lines do not form part of the claimed design.

**1 Claim, 8 Drawing Sheets**



(56)

**References Cited**

U.S. PATENT DOCUMENTS

7,913,460 B2 \* 3/2011 Stollery ..... E04B 7/163  
135/117  
9,077,160 B2 \* 7/2015 Valencic ..... H02B 1/30  
D771,835 S \* 11/2016 Bottin ..... D25/33  
D780,937 S \* 3/2017 Barbosa ..... D25/33  
D787,706 S \* 5/2017 Goddard ..... D25/33  
10,716,242 B2 \* 7/2020 Kam ..... H05K 7/20745  
2012/0155027 A1 \* 6/2012 Broome ..... H05K 7/2039  
361/688  
2013/0087320 A1 \* 4/2013 James ..... H05K 7/20572  
165/253  
2021/0315127 A1 \* 10/2021 Goudreault ..... H05K 7/20736  
2022/0009253 A1 \* 1/2022 Oguchi ..... B41J 15/048

\* cited by examiner

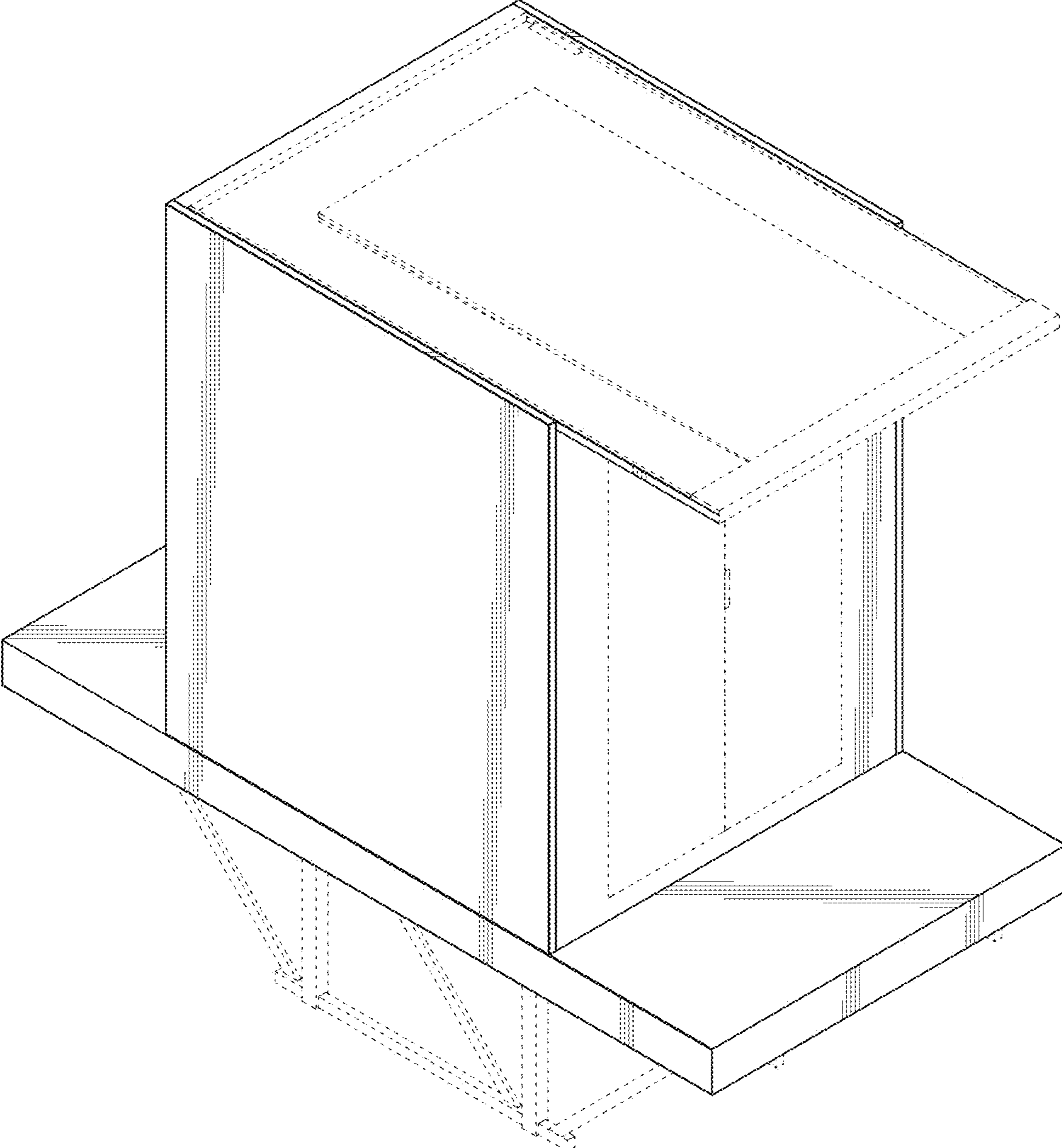


FIG. 1

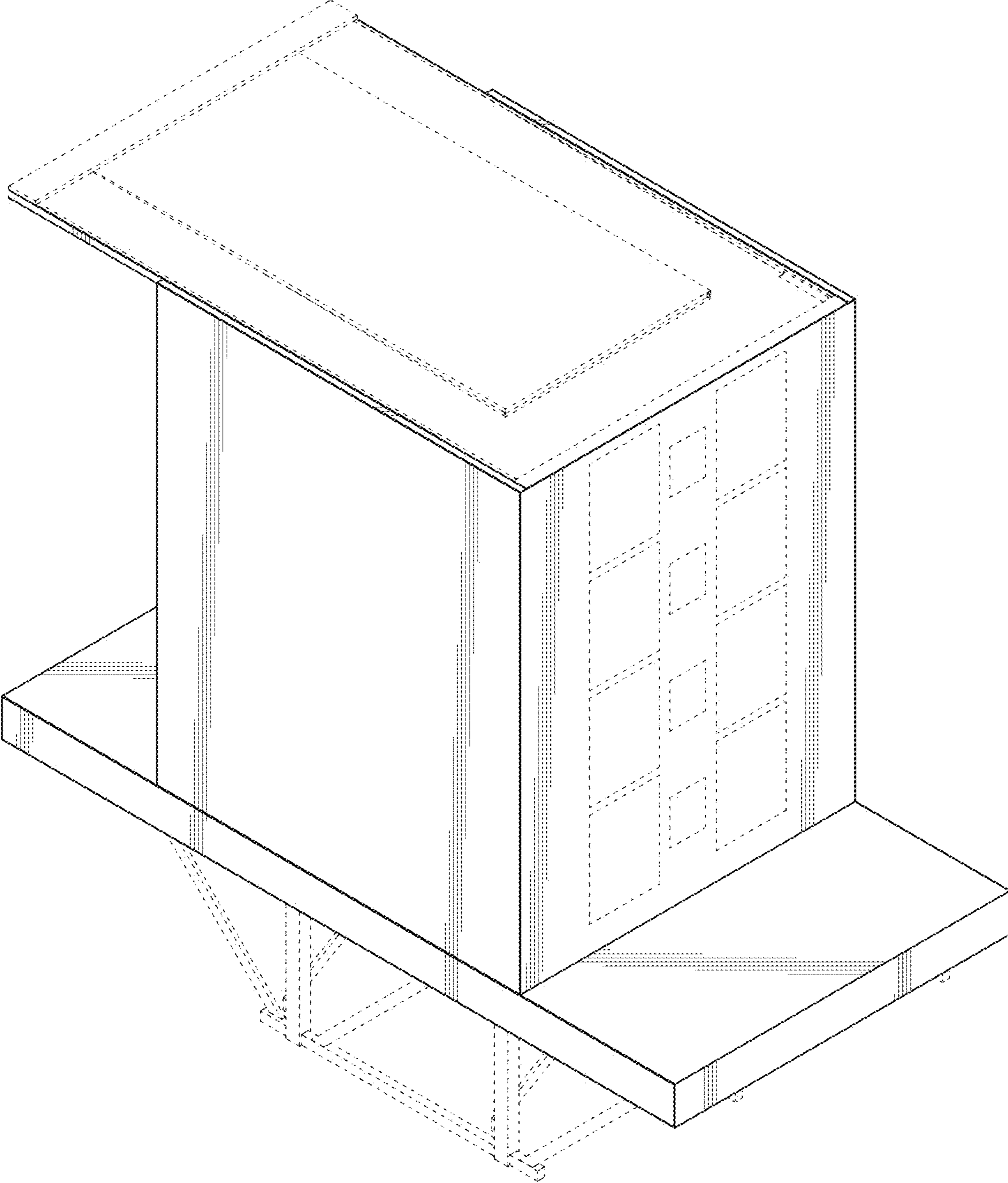


FIG. 2

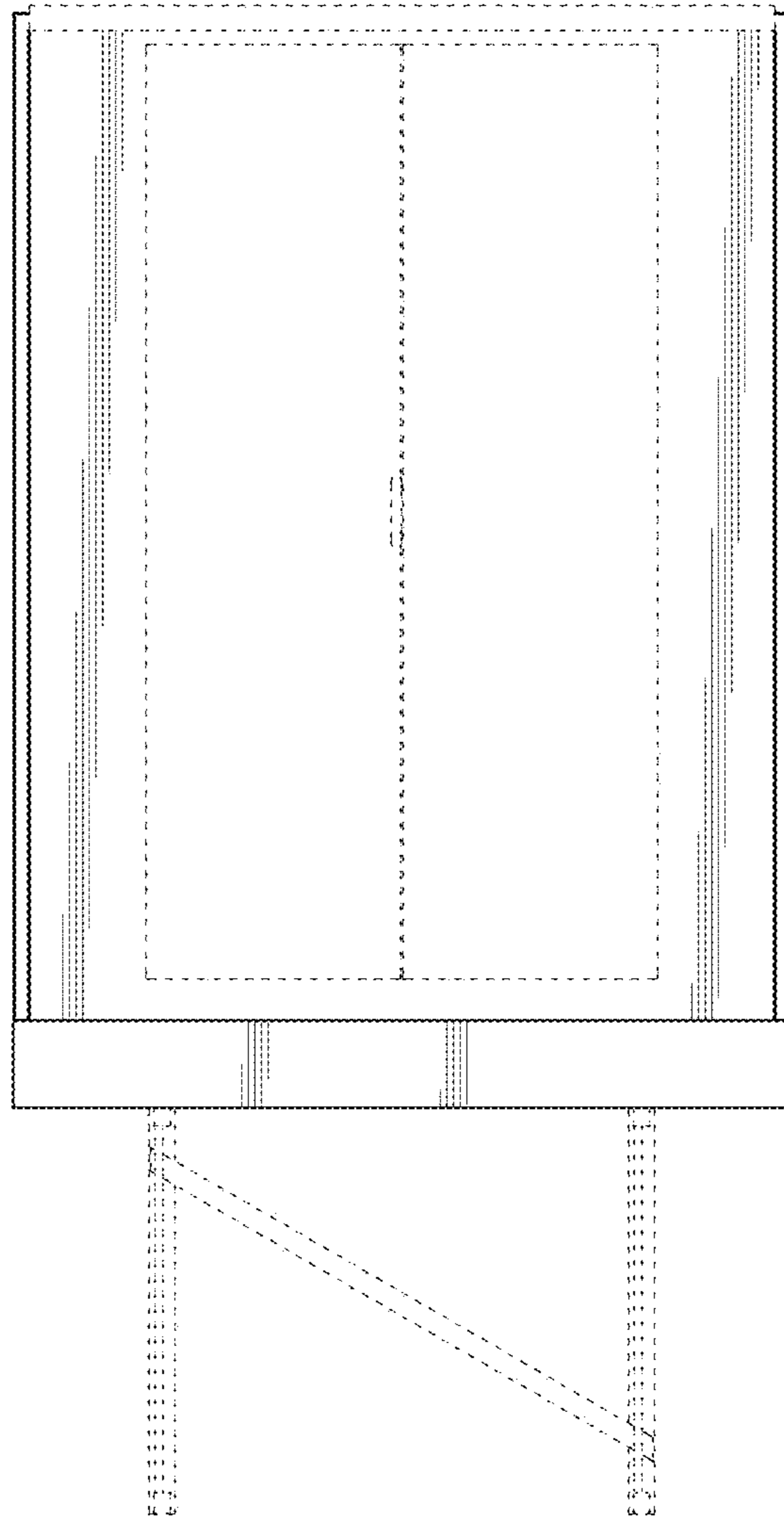


FIG. 3



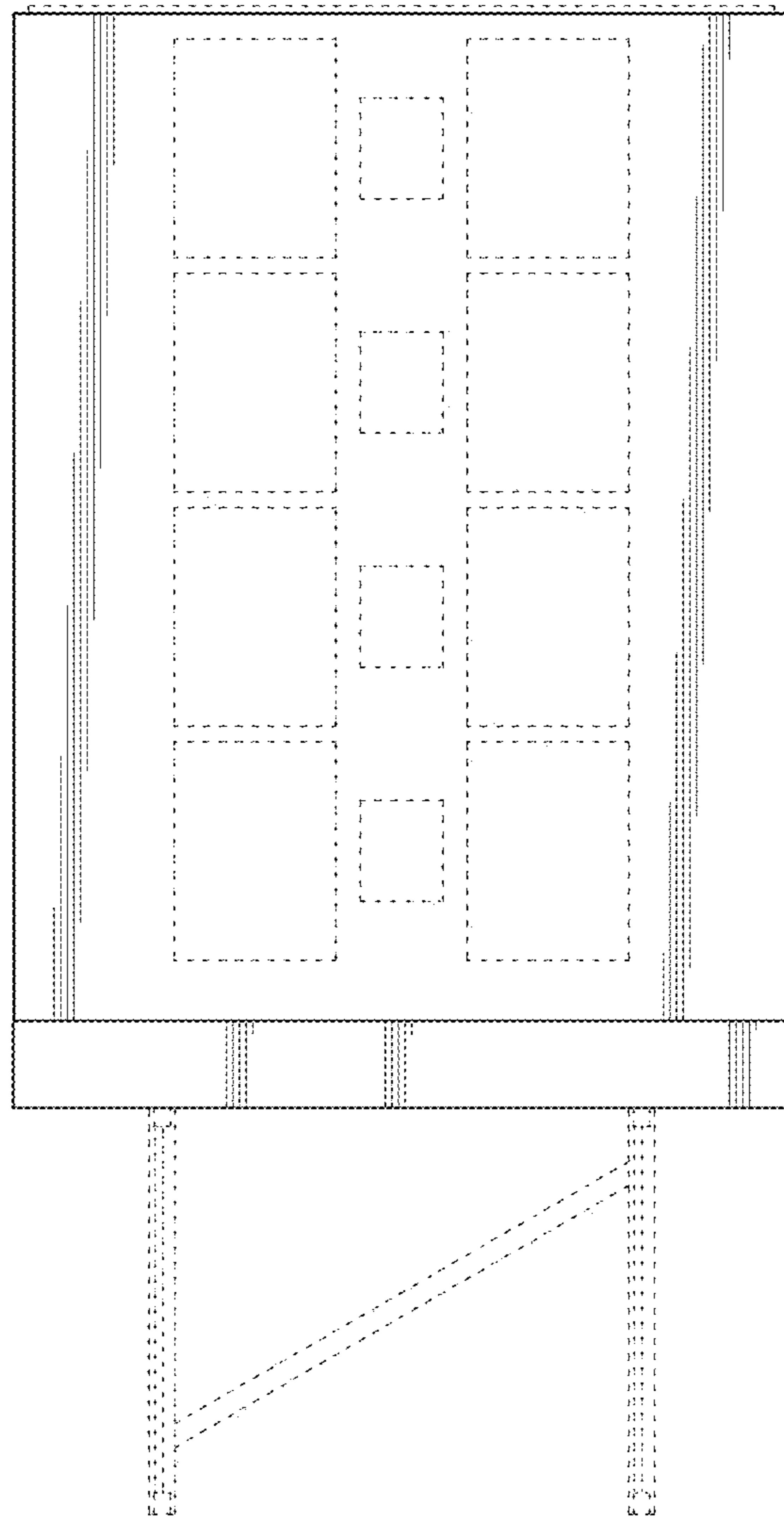


FIG. 4

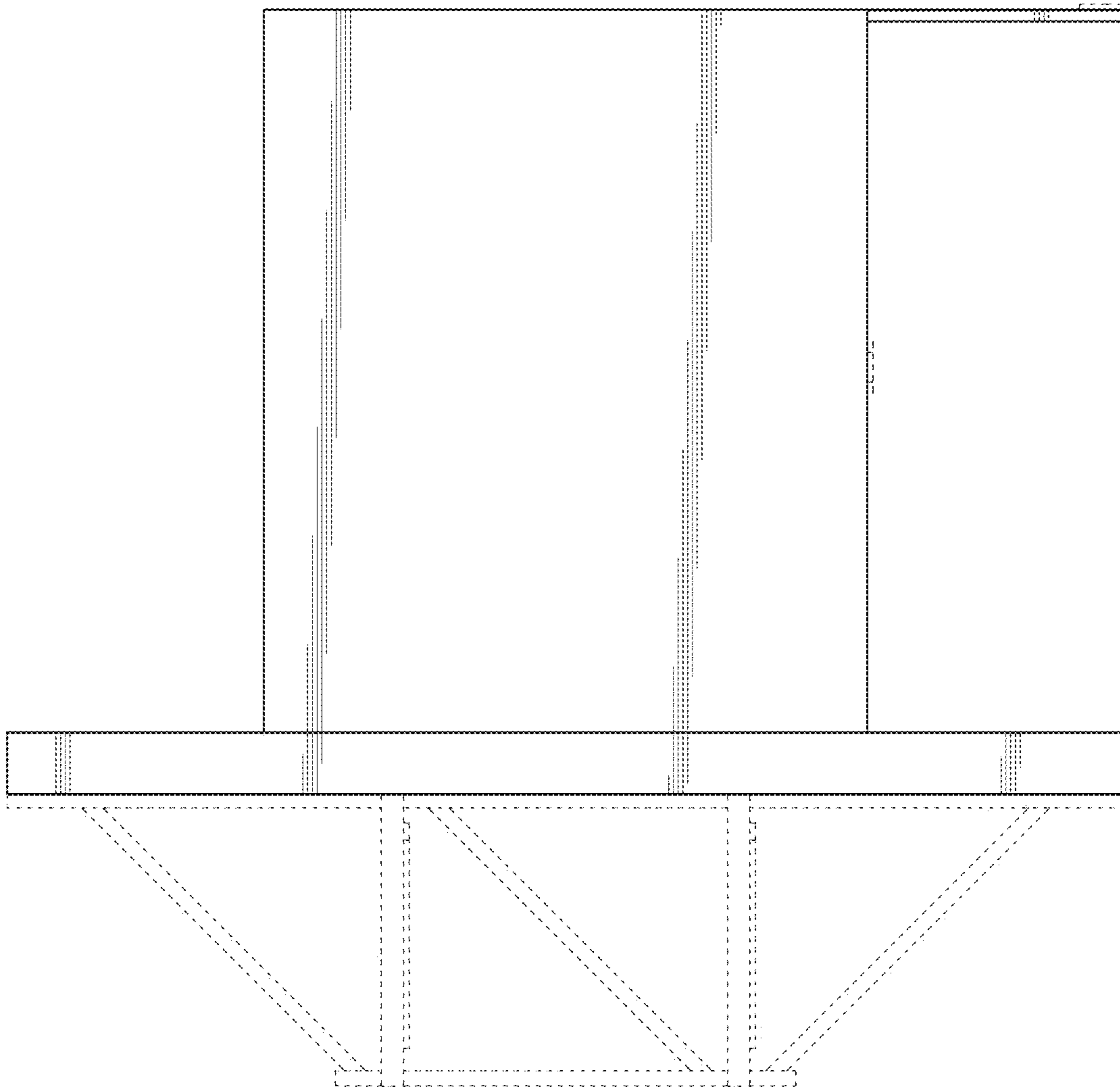


FIG. 5

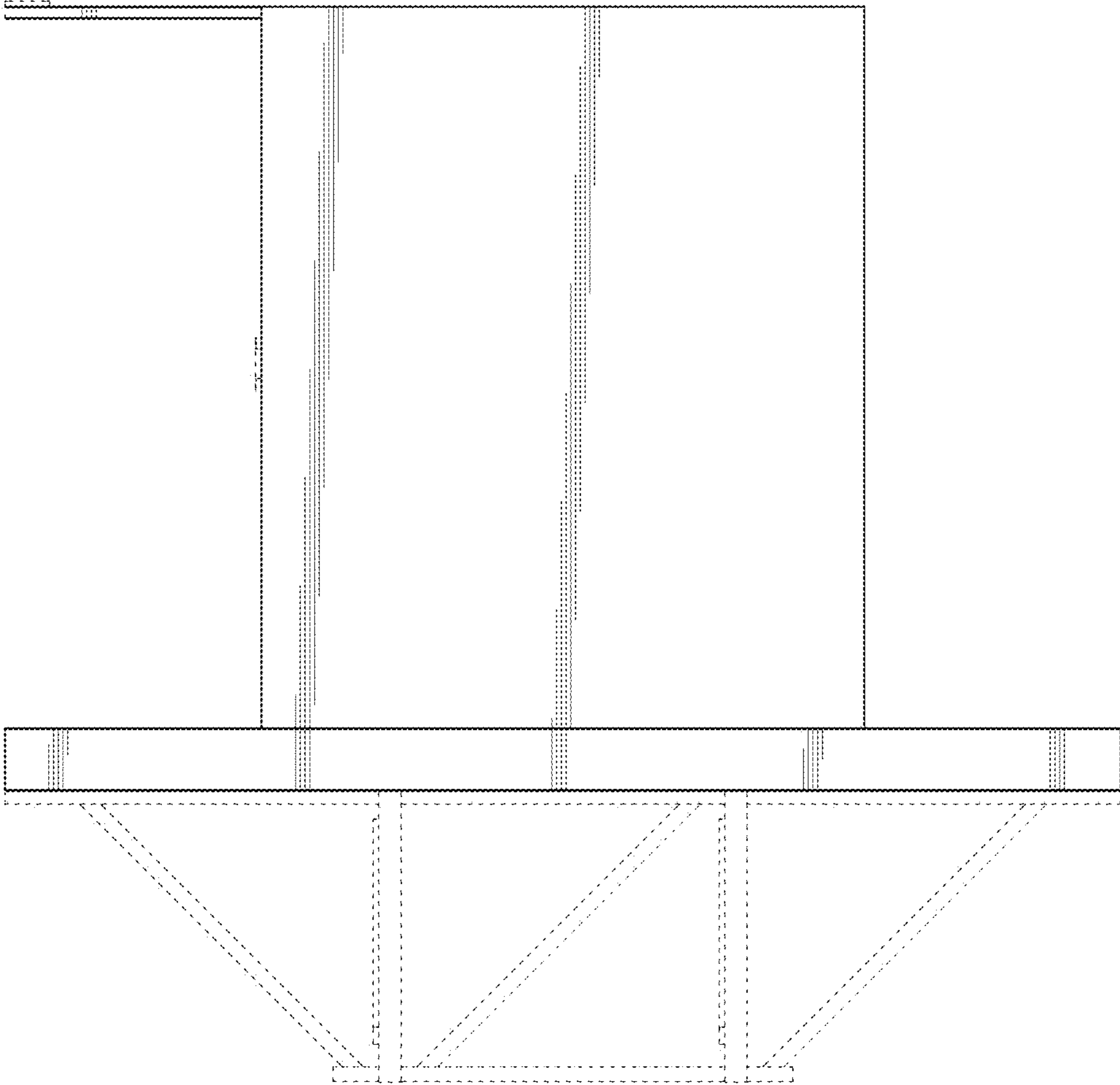


FIG. 6



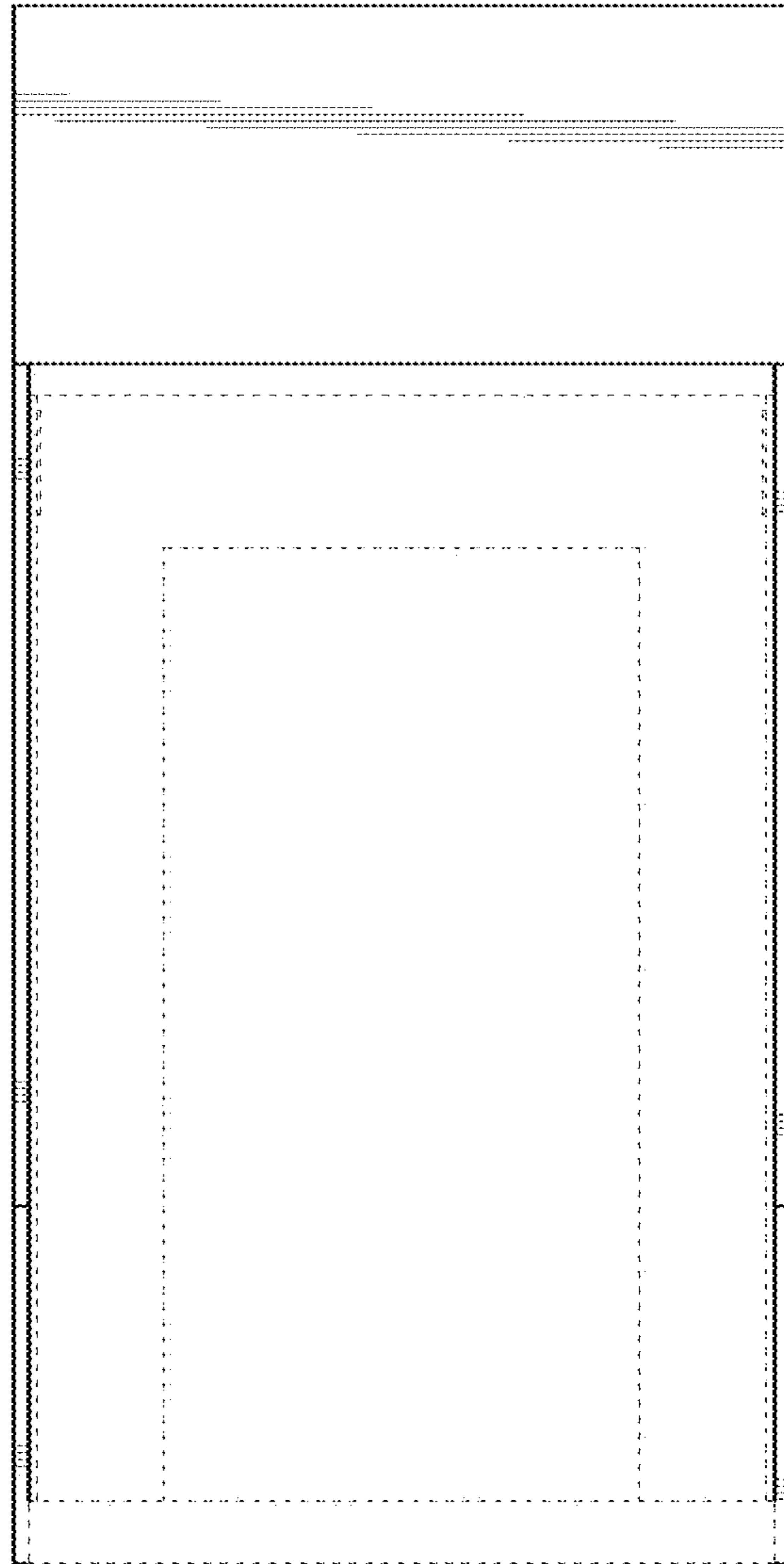


FIG. 7

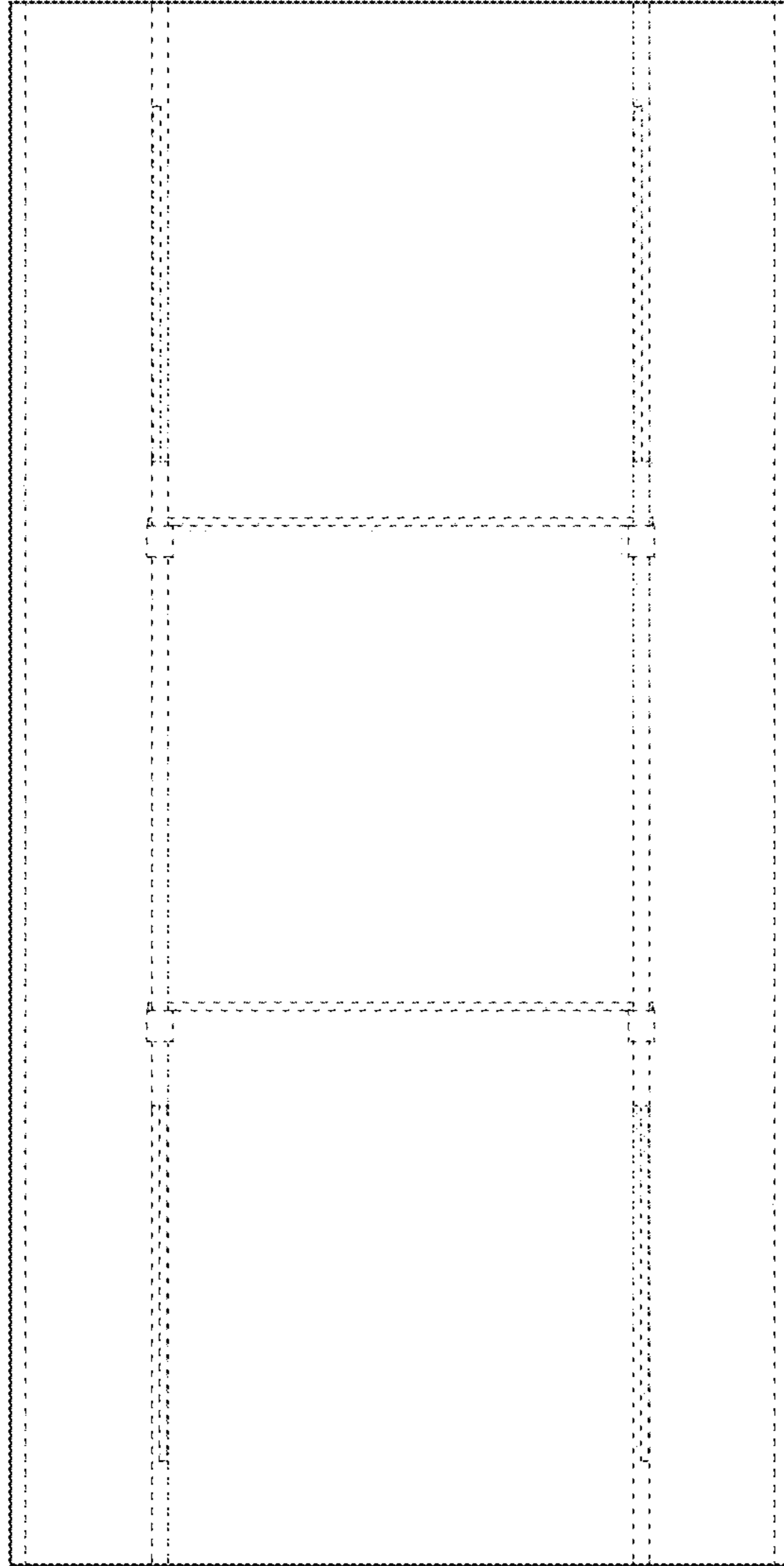


FIG. 8