



US00D974588S

(12) **United States Design Patent** (10) **Patent No.:** **US D974,588 S**  
**Lei et al.** (45) **Date of Patent:** **\*\* Jan. 3, 2023**

(54) **SALIVA TEST DEVICE** D678,516 S \* 3/2013 Wong ..... D24/121  
D770,636 S \* 11/2016 Ling ..... D24/223  
(71) Applicant: **Zhejiang Orient Gene Biotech Co.,** D848,022 S \* 5/2019 Park ..... D24/224  
**Ltd, Zhejiang (CN)** D864,774 S \* 10/2019 Lei ..... D24/186  
D901,696 S \* 11/2020 Lei ..... D24/186  
(72) Inventors: **Siyu Lei, Zhejiang (CN); Lili Shen,** D913,521 S \* 3/2021 Hong ..... D24/224  
**Zhejiang (CN); Jianqiu Fang, Zhejiang** D944,409 S \* 2/2022 Lei ..... D24/216  
**(CN)** 2005/0084842 A1 \* 4/2005 O'Connor ..... B01L 3/5029  
435/287.7  
(73) Assignee: **Zhejiang Orient Gene Biotech Co.,** 2021/0330300 A1 \* 10/2021 Ling ..... A61B 10/007  
**Ltd, Huzhou (CN)** 2022/0117588 A1 \* 4/2022 Pala ..... B01L 3/5023  
2022/0226804 A1 \* 7/2022 Lei ..... B01L 3/523

(\*\*) Term: **15 Years**

**FOREIGN PATENT DOCUMENTS**

(21) Appl. No.: **29/794,360**

CN 201830406233.0 \* 1/2019

(22) Filed: **Jun. 11, 2021**

\* cited by examiner

(30) **Foreign Application Priority Data**

*Primary Examiner* — Anhdao Doan

Jan. 26, 2021 (CN) ..... 202130054341.8

(74) *Attorney, Agent, or Firm* — NZ Carr Law Office

(51) **LOC (14) Cl.** ..... **24-01**

(57) **CLAIM**

(52) **U.S. Cl.**

We claim the ornamental design for a saliva test device, as shown and described.

USPC ..... **D24/216**

(58) **Field of Classification Search**

USPC ..... D24/107, 186, 216, 232, 233, 234, 121,  
D24/122, 223, 224, 225, 227, 231;  
D10/81

**DESCRIPTION**

CPC ..... A61B 10/0051; A61B 10/0096; C12Q  
1/6883; C12Q 1/6806; B01L 3/5023;  
B01L 3/523; B01L 3/565; B01L  
2300/0809

FIG. 1 is a top view of a saliva test device of our design;  
FIG. 2 is a bottom view thereof;  
FIG. 3 is a right side view thereof;  
FIG. 4 is a left side view thereof;  
FIG. 5 is a front view thereof;  
FIG. 6 is a rear view thereof;  
FIG. 7 is a top rear perspective view thereof; and,  
FIG. 8 is a front bottom perspective view thereof.

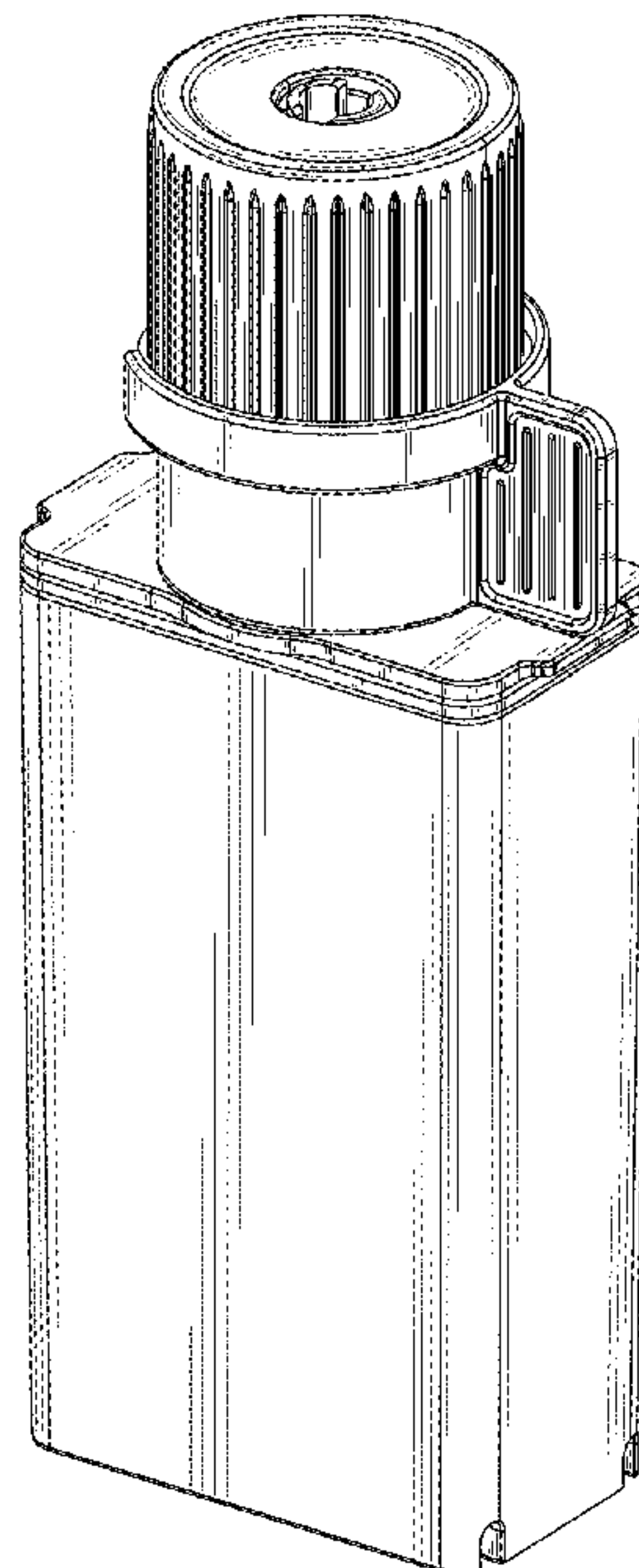
See application file for complete search history.

(56) **References Cited**

**U.S. PATENT DOCUMENTS**

D507,351 S \* 7/2005 Birnboim ..... D24/224  
D520,643 S \* 5/2006 Clarke ..... D24/216

**1 Claim, 8 Drawing Sheets**



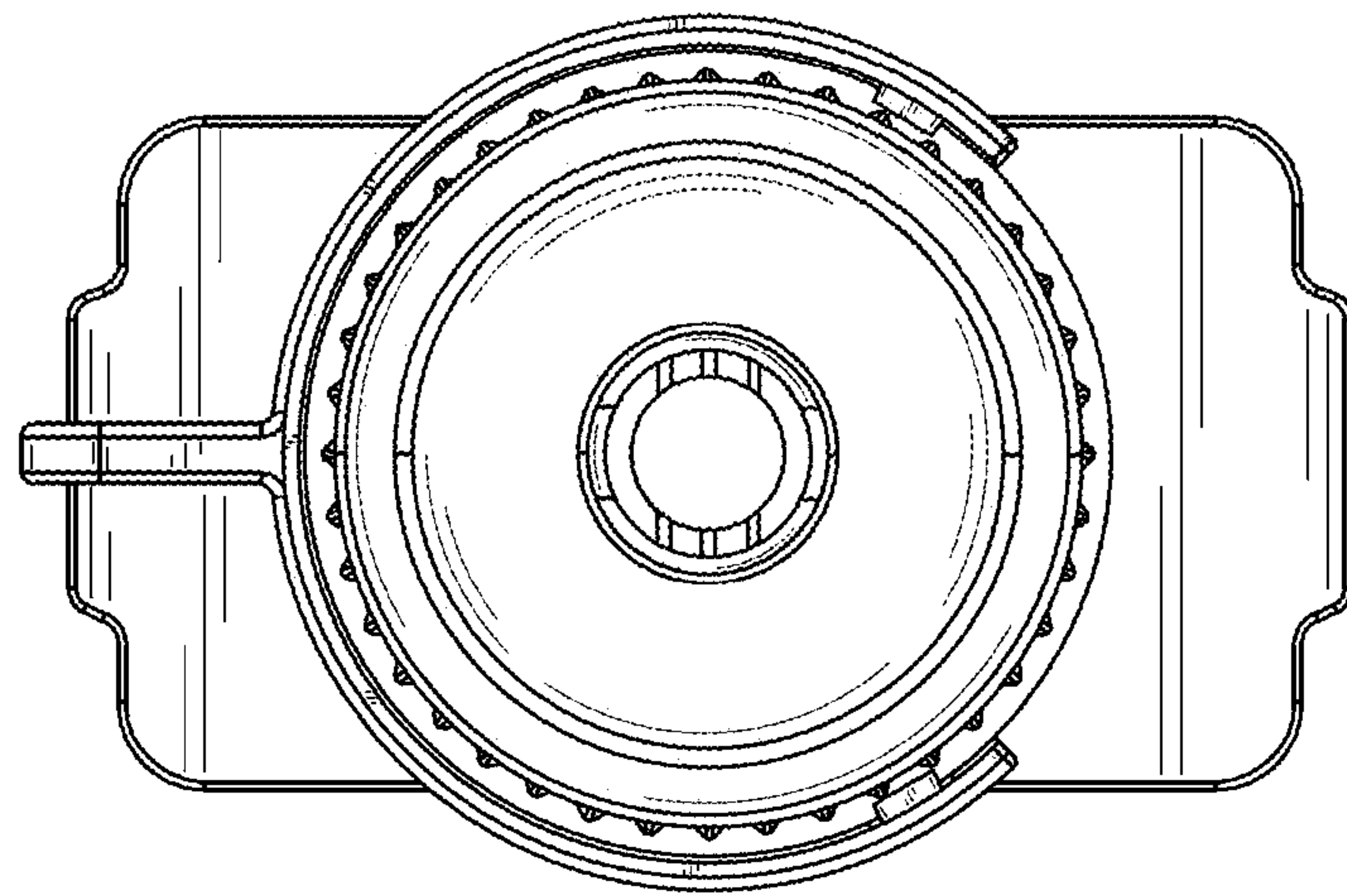


FIG. 1

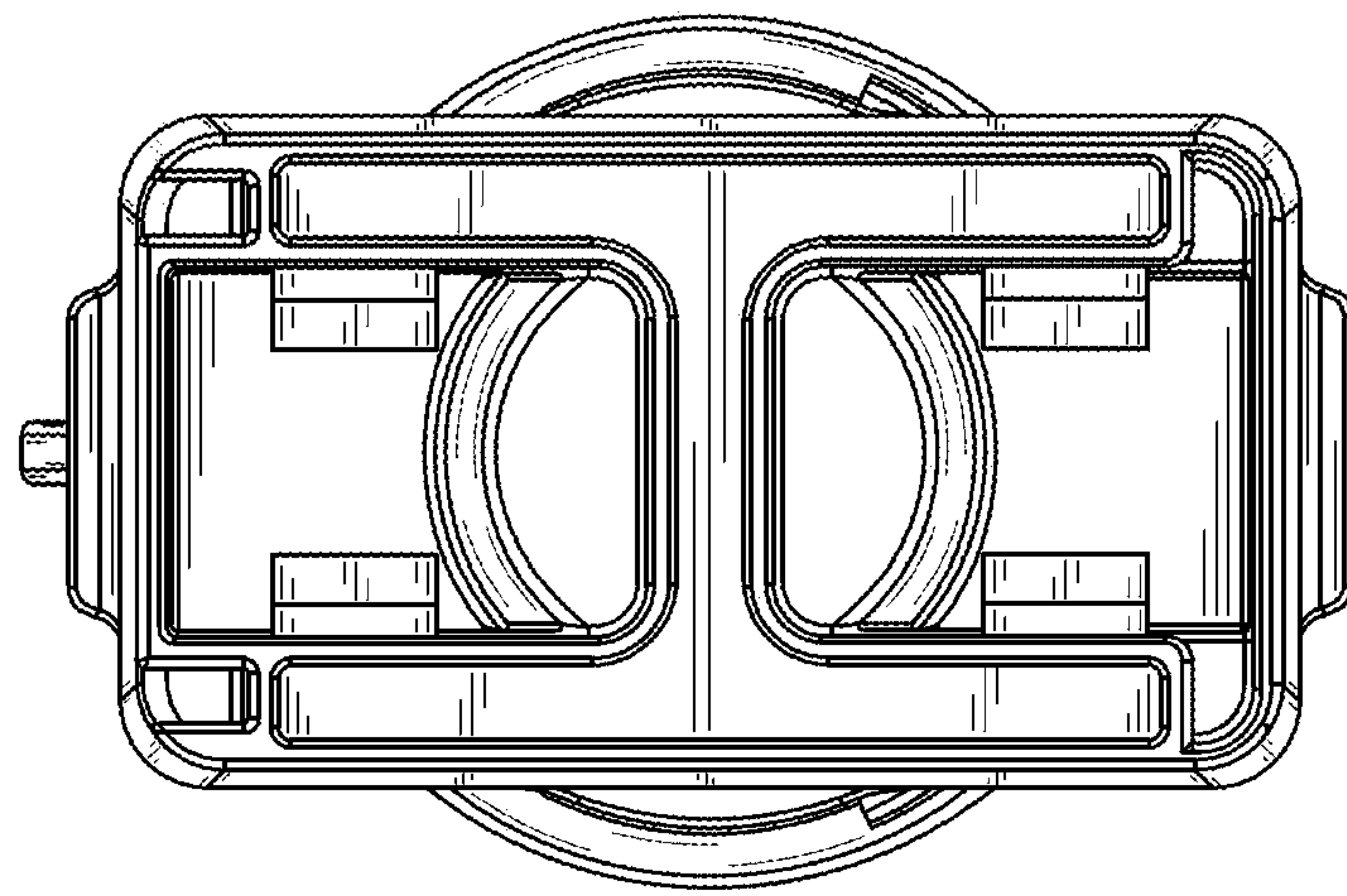


FIG. 2

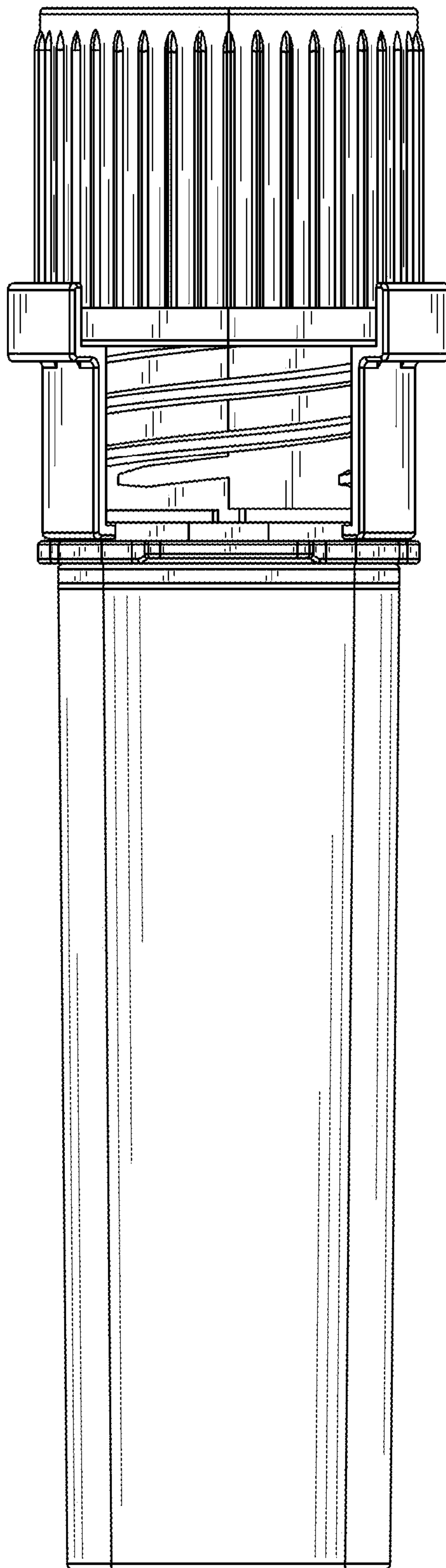


FIG. 3

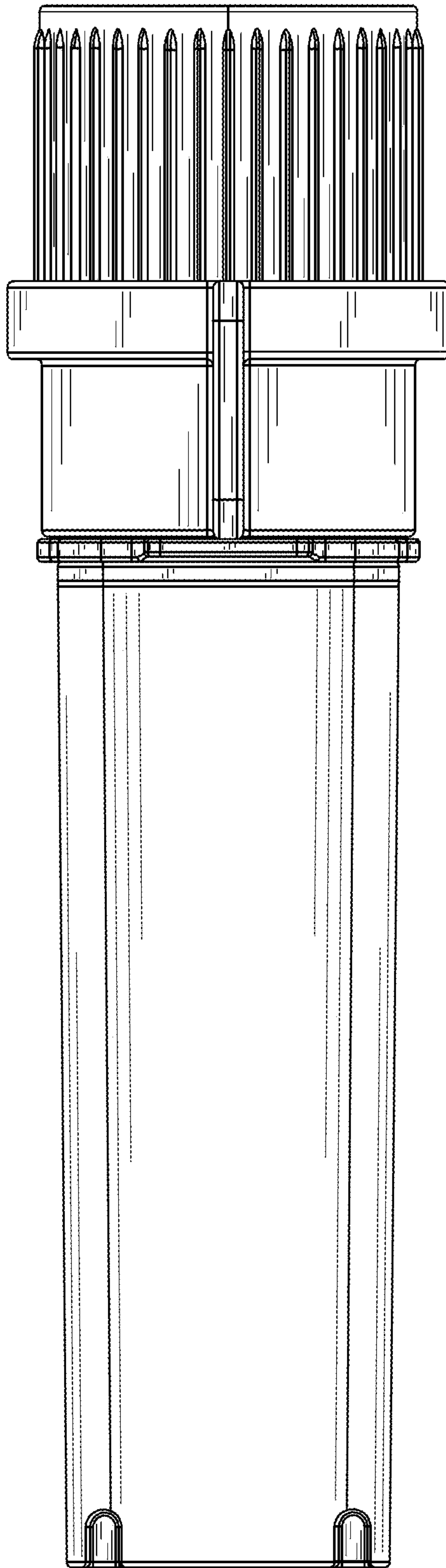


FIG. 4

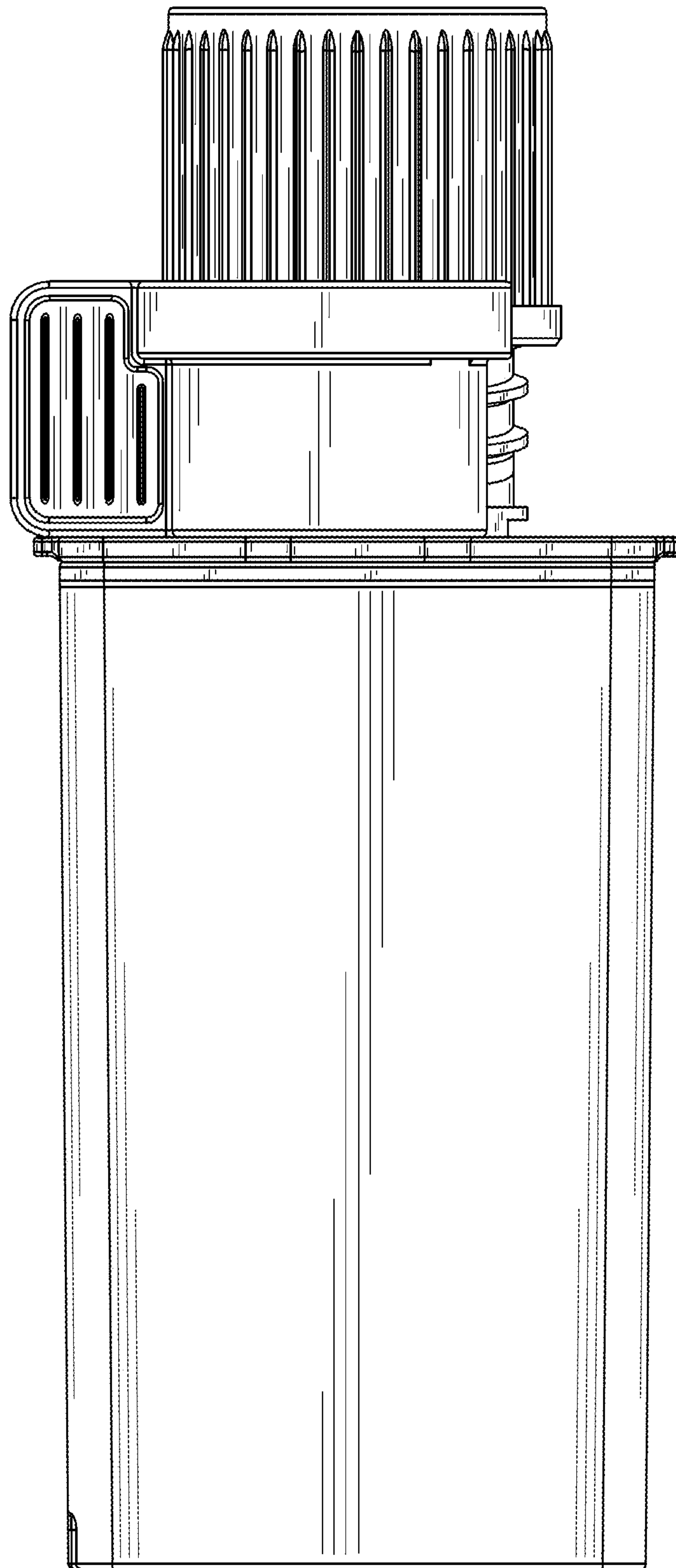


FIG. 5



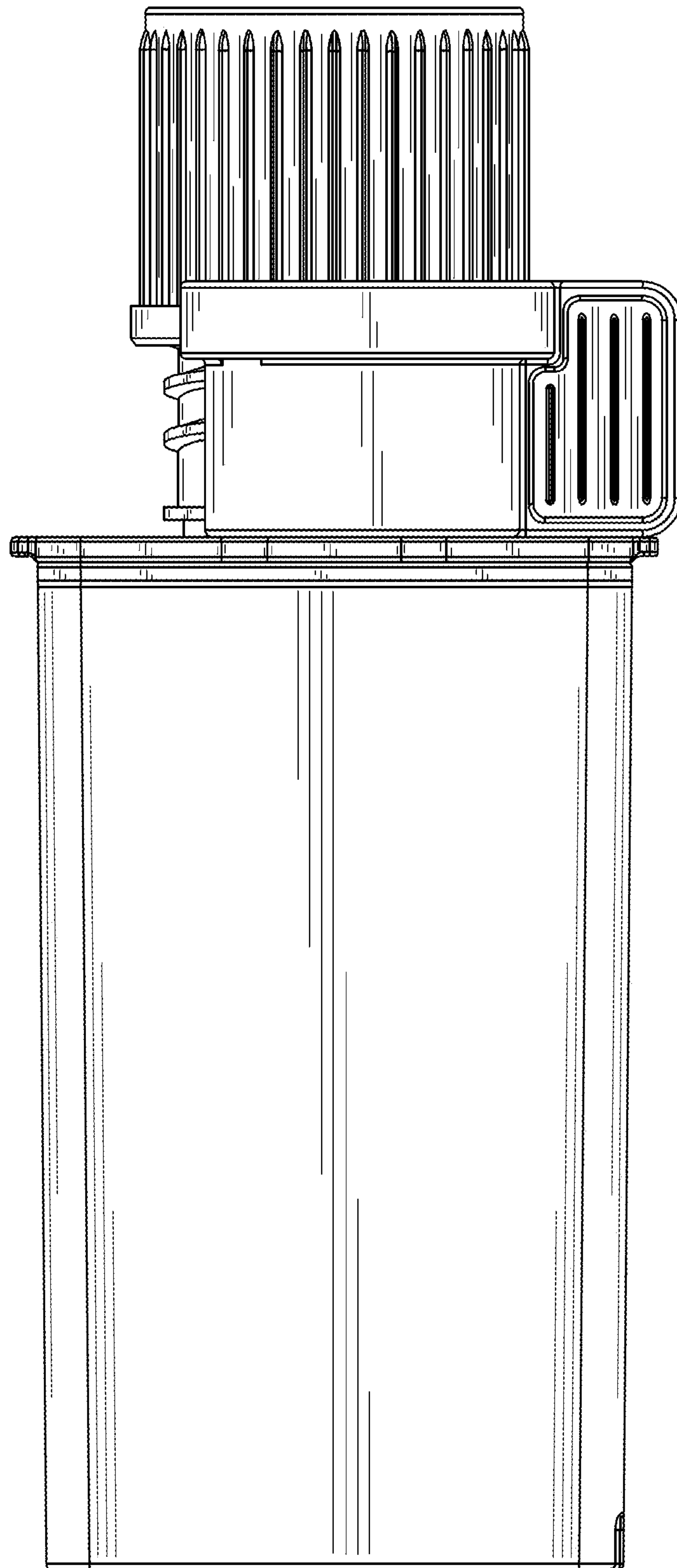


FIG. 6

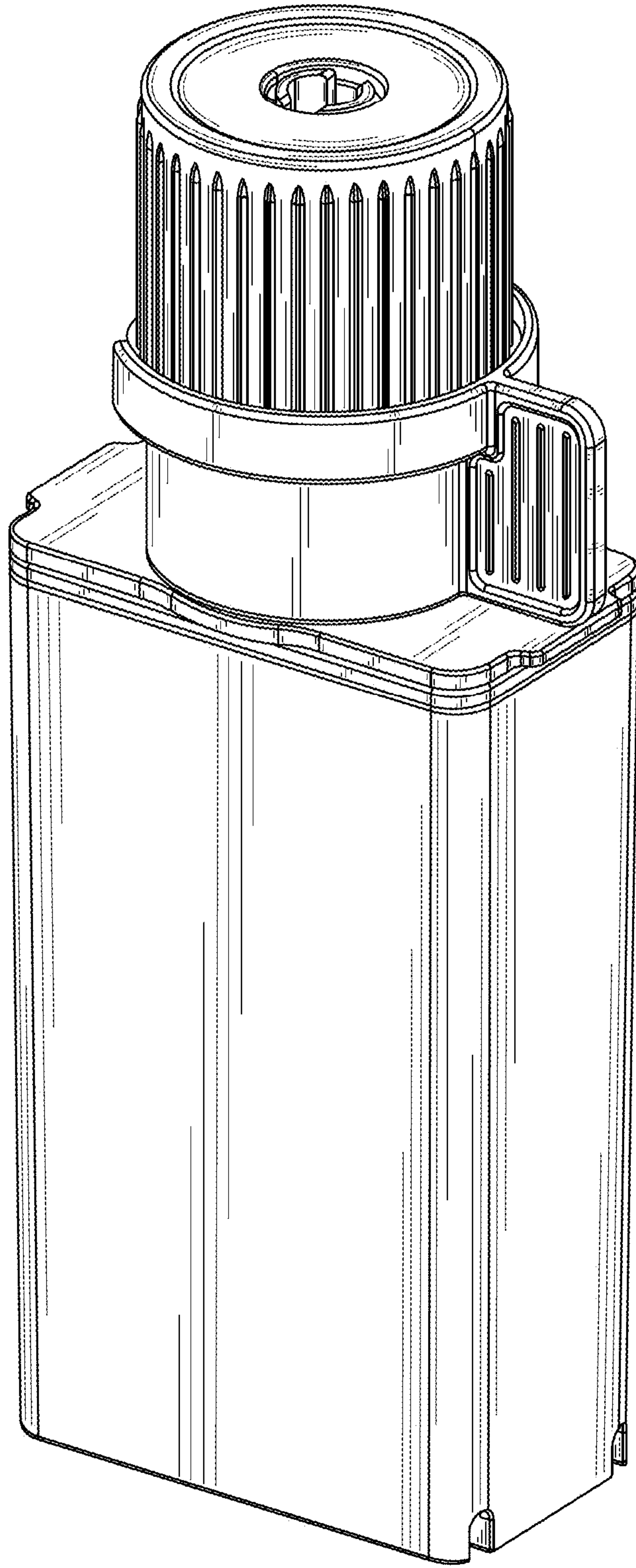


FIG. 7



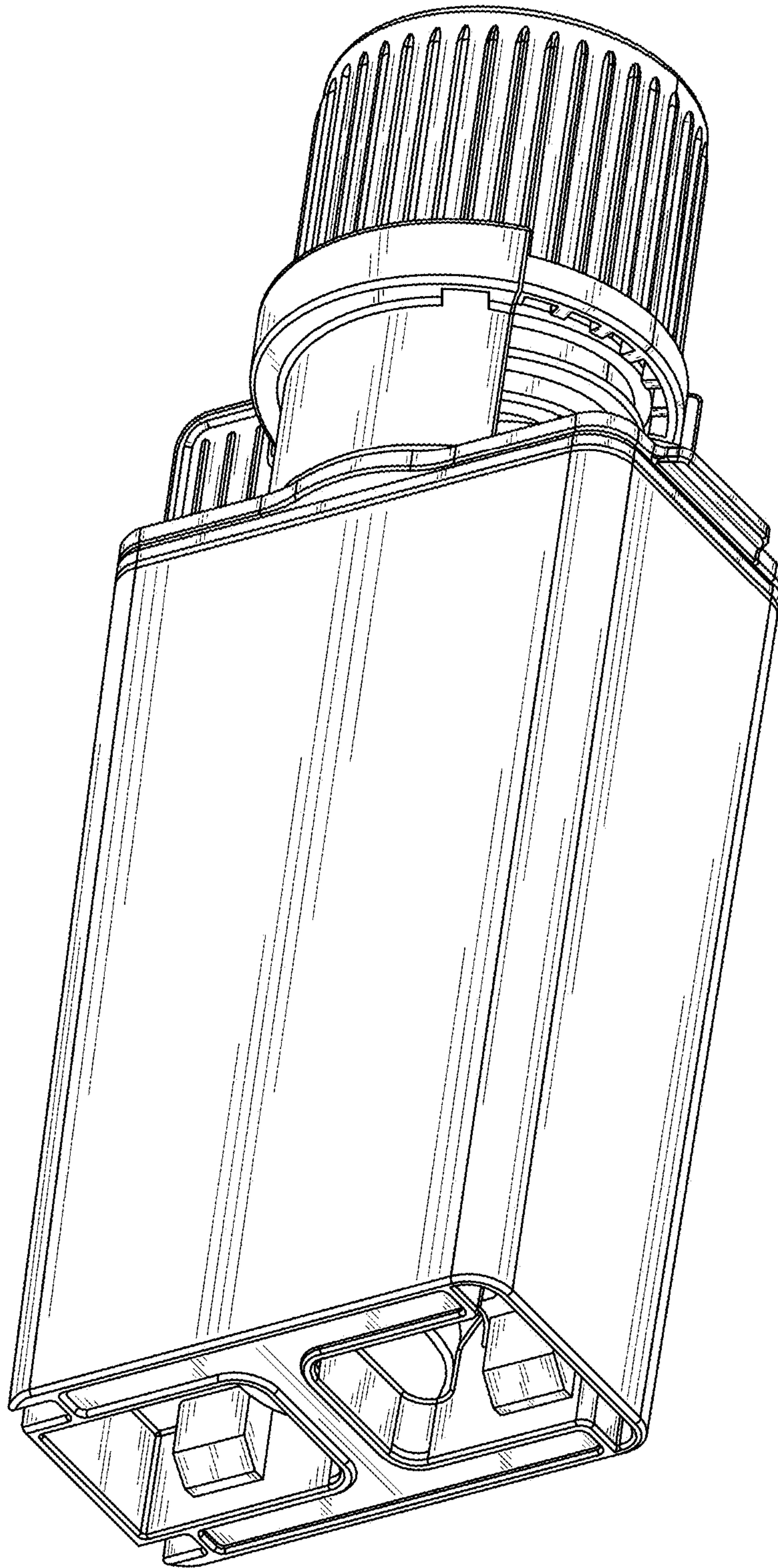


FIG. 8