



US00D974587S

(12) **United States Design Patent**
Ringold et al.

(10) **Patent No.:** **US D974,587 S**

(45) **Date of Patent:** **** Jan. 3, 2023**

(54) **ELEVATOR FOR PROMOTING
EXTRACTION OF BLOOD SAMPLE FROM
DRIED BLOOD SAMPLE PAPER**

D930,848 S *	9/2021	Ringold	D24/216
D940,893 S *	1/2022	Wisherd	D24/224
2009/0188999 A1 *	7/2009	Lazarev	B01L 3/502 241/62
2014/0205514 A1 *	7/2014	Hwang	B01L 3/508 422/533
2018/0250669 A1 *	9/2018	Adamski	B01L 3/5021

(71) Applicants: **Kepler Diagnostics, Inc.**, Simi Valley, CA (US); **VDI Laboratory, LLC**, Simi Valley, CA (US)

(72) Inventors: **Randy Ringold**, West Hills, CA (US); **Tyson Lee Ringold**, Toronto (CA)

(73) Assignee: **VDI Laboratory, LLC**, Simi Valley, CA (US)

(**) Term: **15 Years**

(21) Appl. No.: **29/767,152**

(22) Filed: **Jan. 20, 2021**

(51) **LOC (14) Cl.** **24-01**

(52) **U.S. Cl.**
USPC **D24/216; D24/224**

(58) **Field of Classification Search**
USPC D24/107, 186, 216, 232, 233, 234, 121,
D24/122, 223, 224, 225, 227, 231, 119,
D24/133; D10/81
CPC B01L 3/50273; B01L 3/502715; B01L
3/502761; B01L 2200/0652; B01L
2300/088; B01L 2400/0409; B01L
2400/0436; B01L 2400/0481; B01L
2400/0633

See application file for complete search history.

(56) **References Cited**

U.S. PATENT DOCUMENTS

D832,455 S *	10/2018	Cullimore	D24/224
D833,030 S *	11/2018	Sasano	D24/224

FOREIGN PATENT DOCUMENTS

KR 3020120062905 * 4/2014

* cited by examiner

Primary Examiner — Anhdao Doan

(74) *Attorney, Agent, or Firm* — Karim Lagobi

(57) **CLAIM**

The ornamental design for an elevator for promoting extraction of blood sample from dried blood sample paper, as shown and described.

DESCRIPTION

FIG. 1 is a front elevation of an elevator for promoting extraction of blood sample from dried blood sample paper, the opposing side view being identical in appearance.

FIG. 2 is a bottom view thereof.

FIG. 3 is a top view thereof.

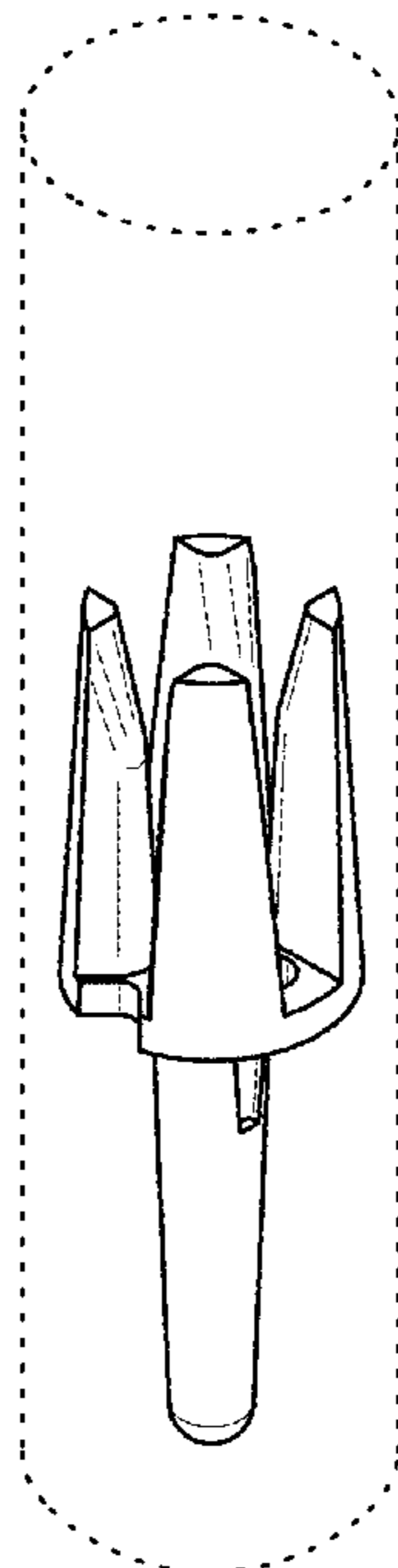
FIG. 4 is a left side view thereof, the right side view being identical in appearance.

FIG. 5 is a bottom perspective view thereof; and,

FIG. 6 is a top perspective view thereof.

The broken lines in FIG. 6 showing a test tube depict environmental subject matter that forms no part of the claimed design.

1 Claim, 6 Drawing Sheets



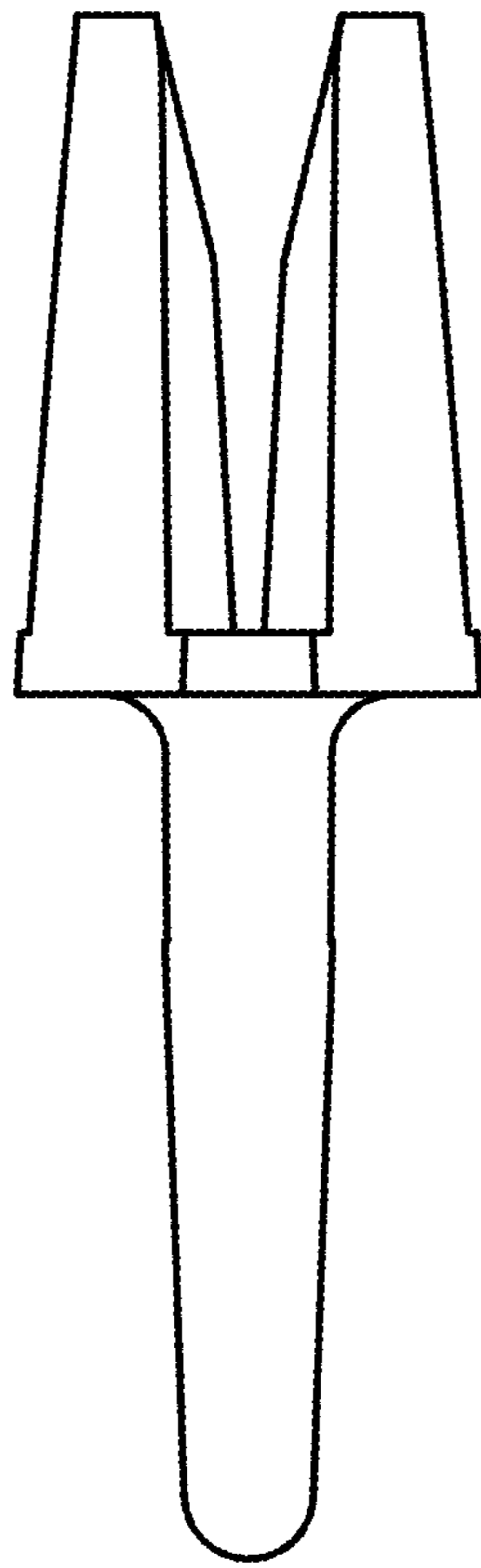


Fig. 1

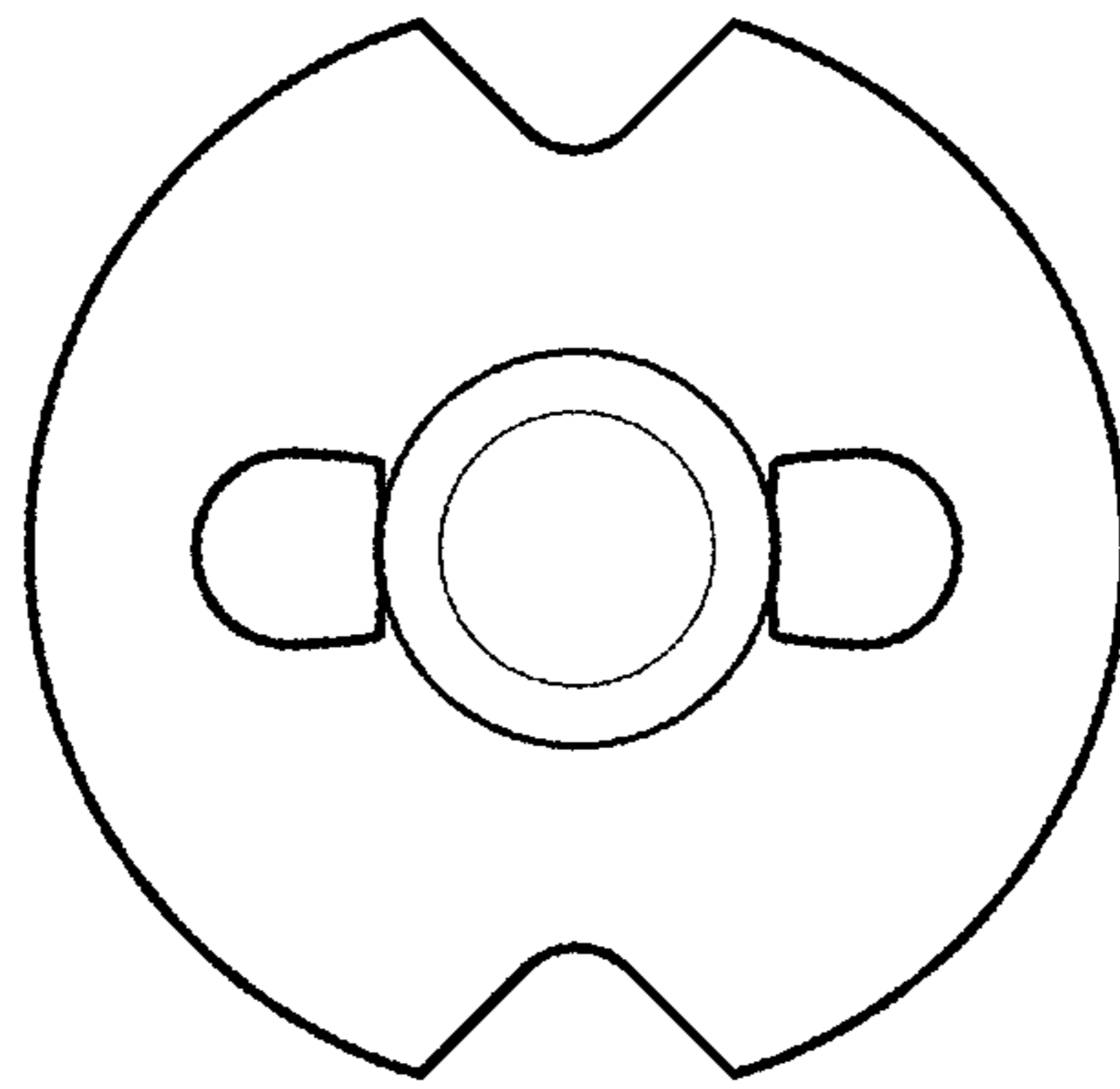


Fig. 2

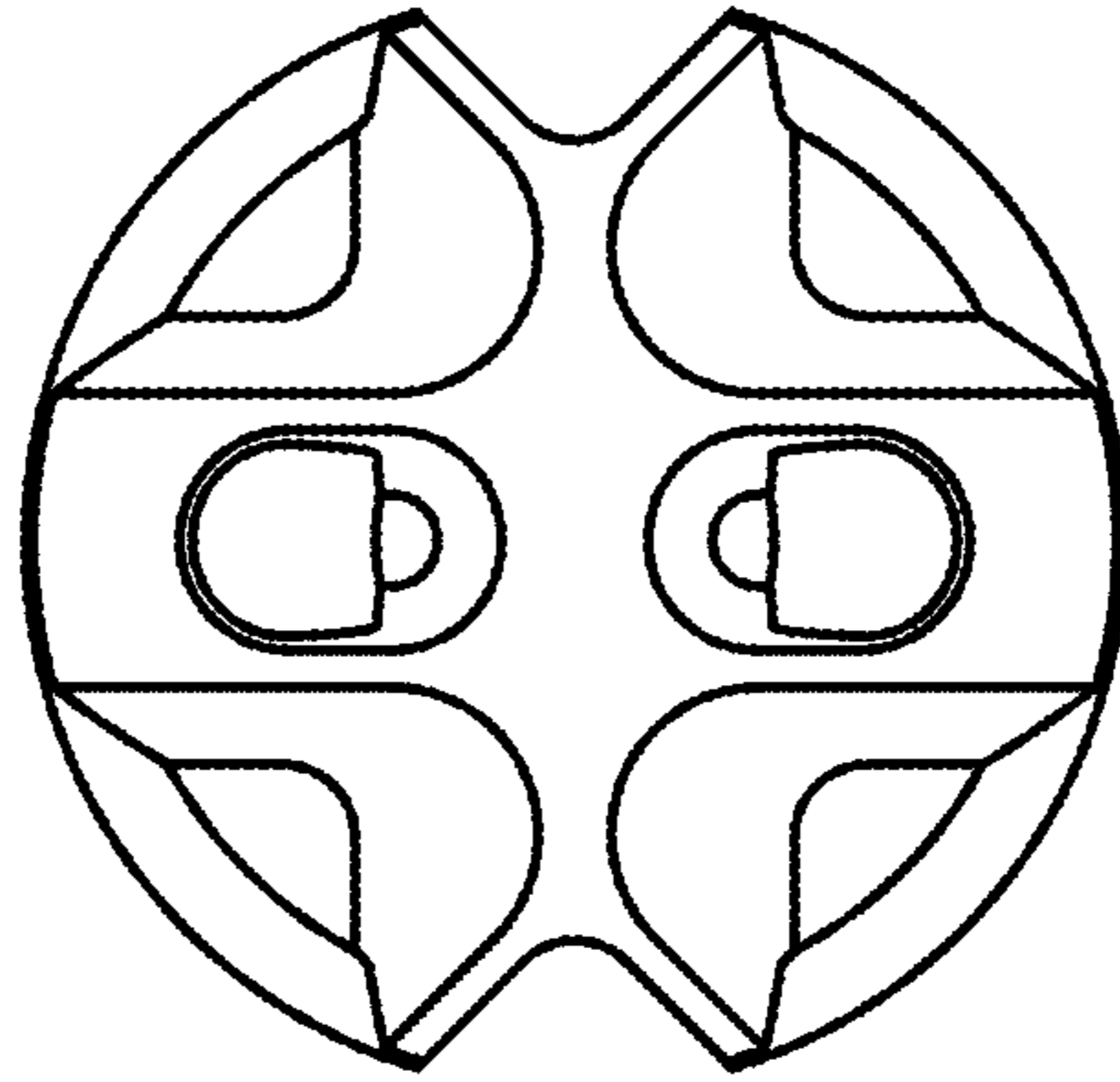


Fig. 3

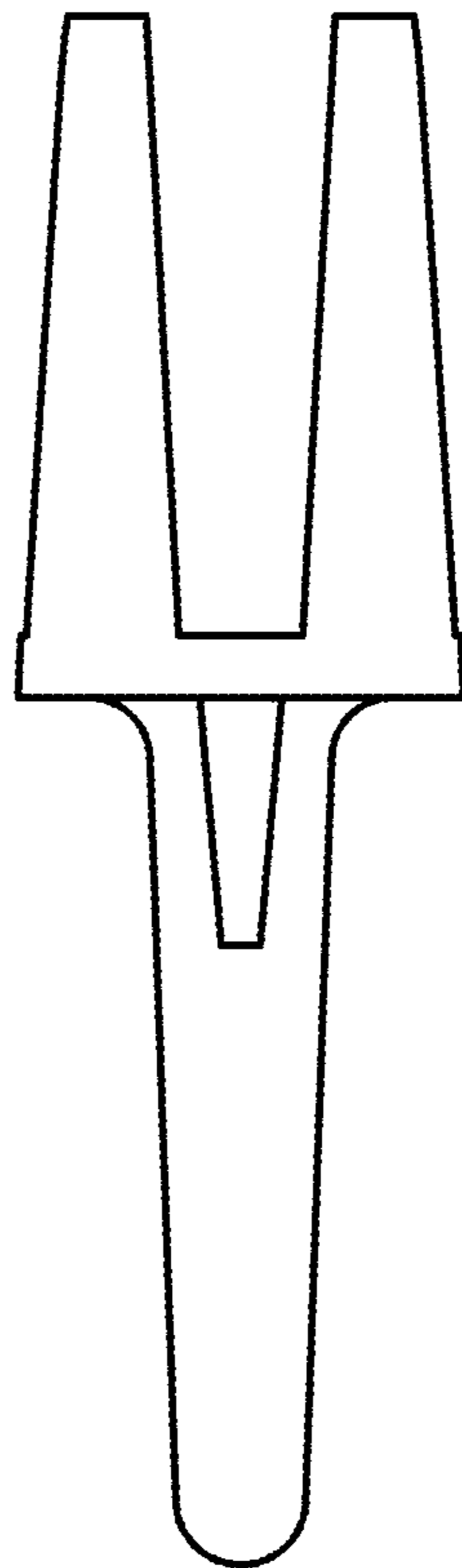


Fig. 4

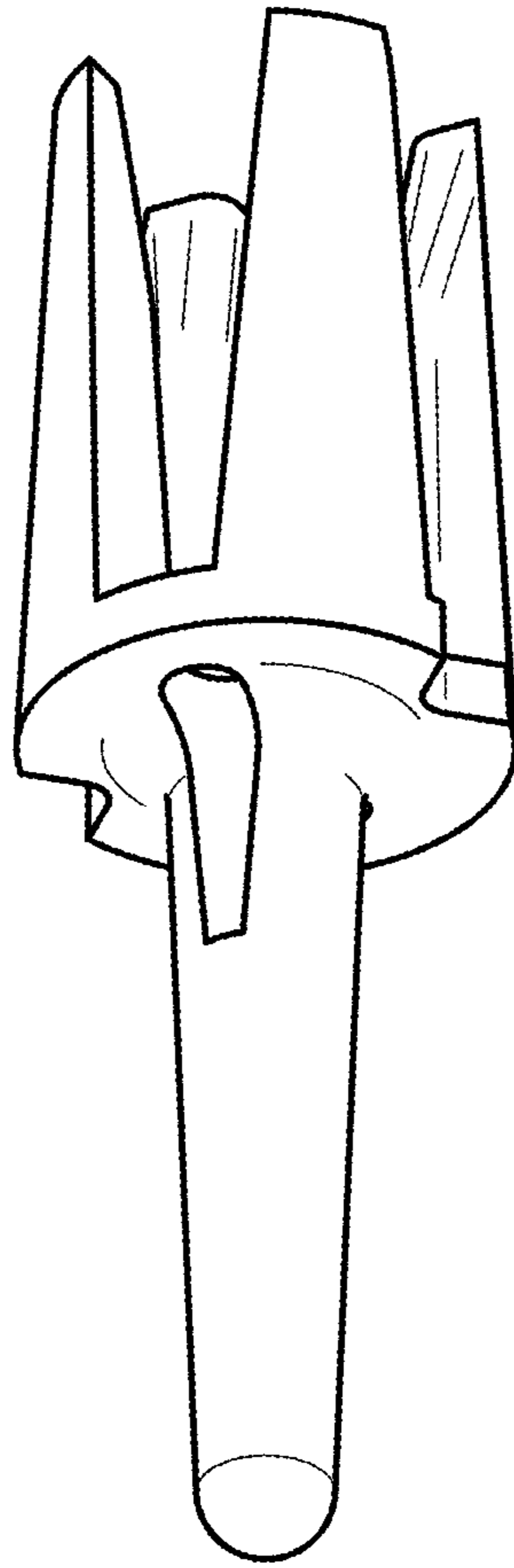


Fig. 5

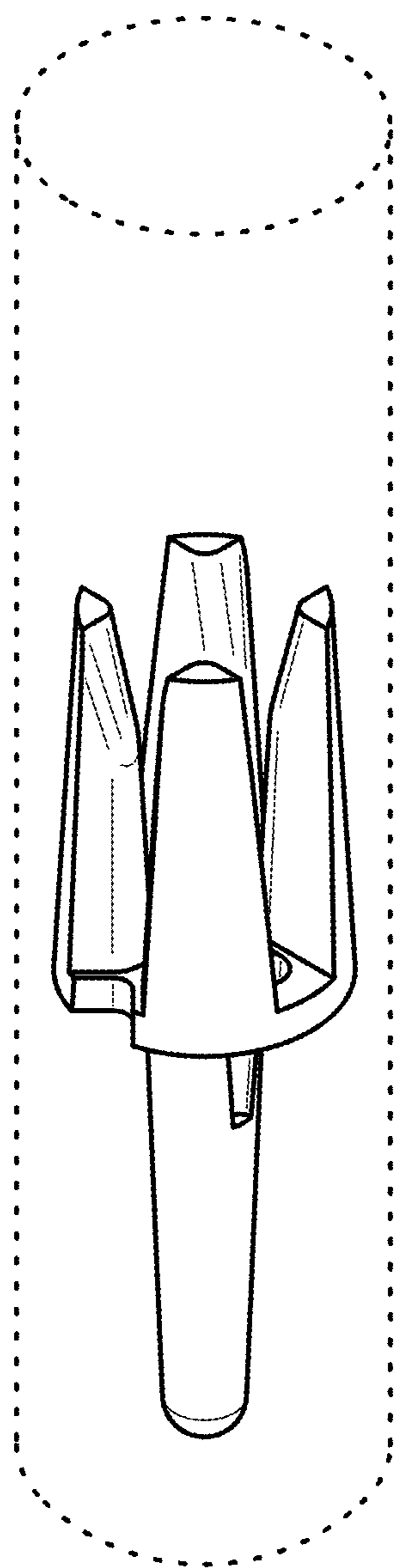


Fig. 6