



US00D974585S

(12) **United States Design Patent** (10) **Patent No.:** **US D974,585 S**  
**Wang** (45) **Date of Patent:** **\*\* Jan. 3, 2023**

(54) **MASSAGER**

(71) Applicant: **Juan Wang**, Hubei Province (CN)

(72) Inventor: **Juan Wang**, Hubei Province (CN)

(\*\*) Term: **15 Years**

(21) Appl. No.: **29/807,038**

(22) Filed: **Sep. 8, 2021**

(51) **LOC (14) Cl.** ..... **28-03**

(52) **U.S. Cl.**  
USPC ..... **D24/215**

(58) **Field of Classification Search**  
USPC ..... D24/200, 211, 212, 213, 214, 215;  
D30/160  
CPC ..... A61H 19/00; A61H 19/32; A61H 19/34;  
A61H 19/50; A61H 19/30  
See application file for complete search history.

(56) **References Cited**

**U.S. PATENT DOCUMENTS**

D590,952 S *	4/2009	Stuart	.....	D24/215
D712,565 S *	9/2014	Guang	.....	D24/215
D844,798 S *	4/2019	Jin	.....	D24/214
D885,602 S *	5/2020	Dumler	.....	D24/215
D895,134 S *	9/2020	Qiu	.....	D24/215
D911,544 S *	2/2021	Zhou	.....	D24/215
D923,192 S	6/2021	Park		
D925,056 S *	7/2021	Li	.....	D24/215
D930,180 S *	9/2021	Wang	.....	D24/215
D939,726 S *	12/2021	Liu	.....	D24/215

**OTHER PUBLICATIONS**

Amazon, "Cupids Arrow Vibrators", Access date Aug. 1, 2022. [https://www.amazon.co.uk/Vibrators-Clitoris-Silicone-Stimulator-Vibration/dp/B09KXDB2ZW/ref=cm\\_cr\\_arp\\_d\\_product\\_top?ie=UTF8](https://www.amazon.co.uk/Vibrators-Clitoris-Silicone-Stimulator-Vibration/dp/B09KXDB2ZW/ref=cm_cr_arp_d_product_top?ie=UTF8). Shown on p. 1. (Year: 2022).\*

\* cited by examiner

*Primary Examiner* — Michael A Maharajh

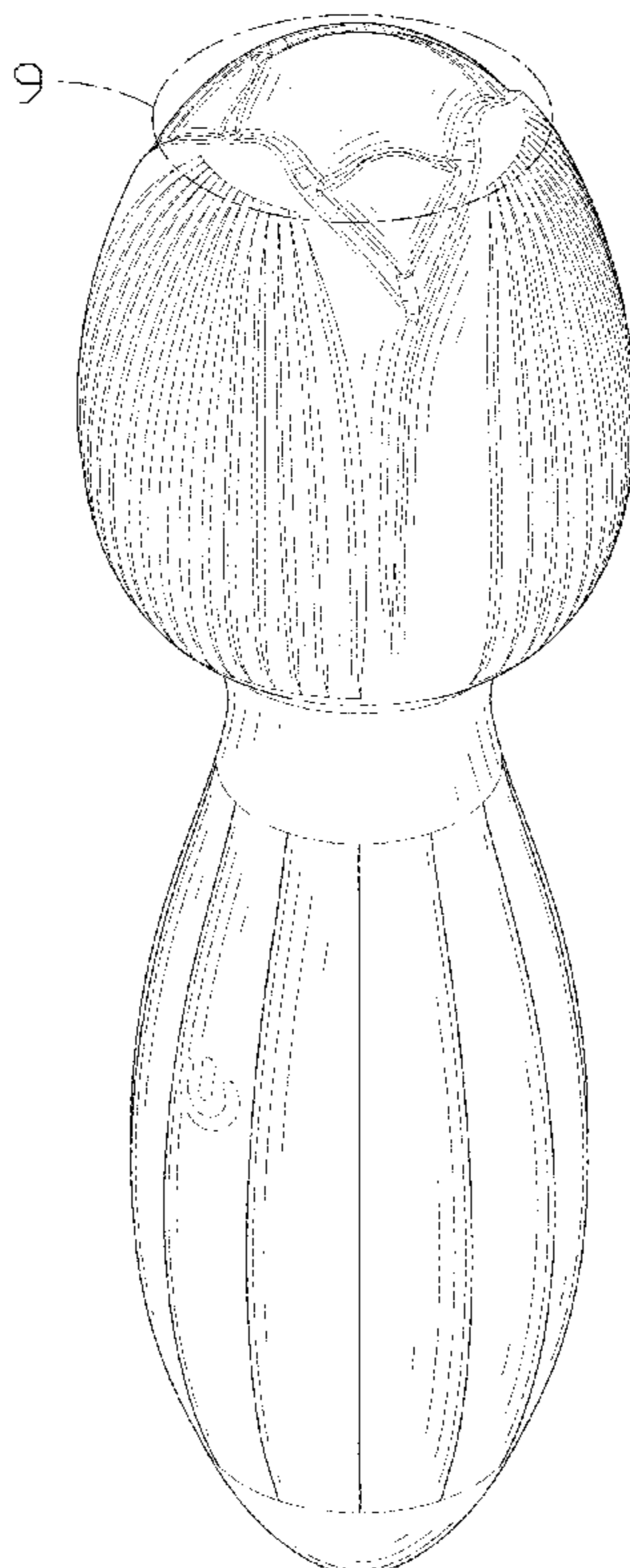
(57) **CLAIM**

The ornamental design for a massager, as shown and described.

**DESCRIPTION**

FIG. 1 is a front and top perspective view of a massager, showing my new design;  
FIG. 2 is a rear and bottom perspective view thereof;  
FIG. 3 is a front elevation view thereof;  
FIG. 4 is a rear elevation view thereof;  
FIG. 5 is a left side elevation view thereof;  
FIG. 6 is a right side elevation view thereof;  
FIG. 7 is a top plan view thereof;  
FIG. 8 is a bottom plan view thereof; and,  
FIG. 9 is an enlarged view of a portion indicated with numeric 9 in FIG. 1.  
The broken lines in the figures illustrate portions of the massager that form no part of the claimed design. The dash dot dash lines in FIGS. 1 and 9 are for the purpose of depicting the boundary lines of the enlarged view and form no part of the claimed design.

**1 Claim, 9 Drawing Sheets**



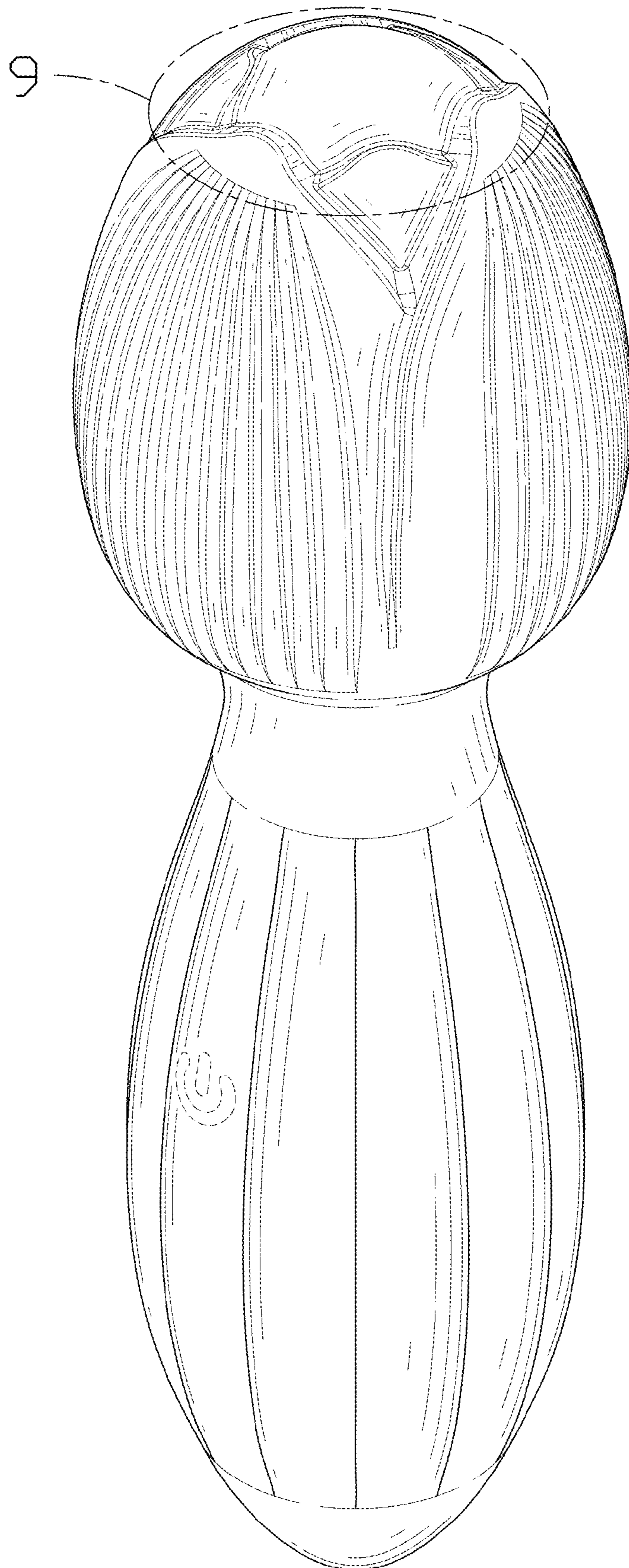


FIG. 1

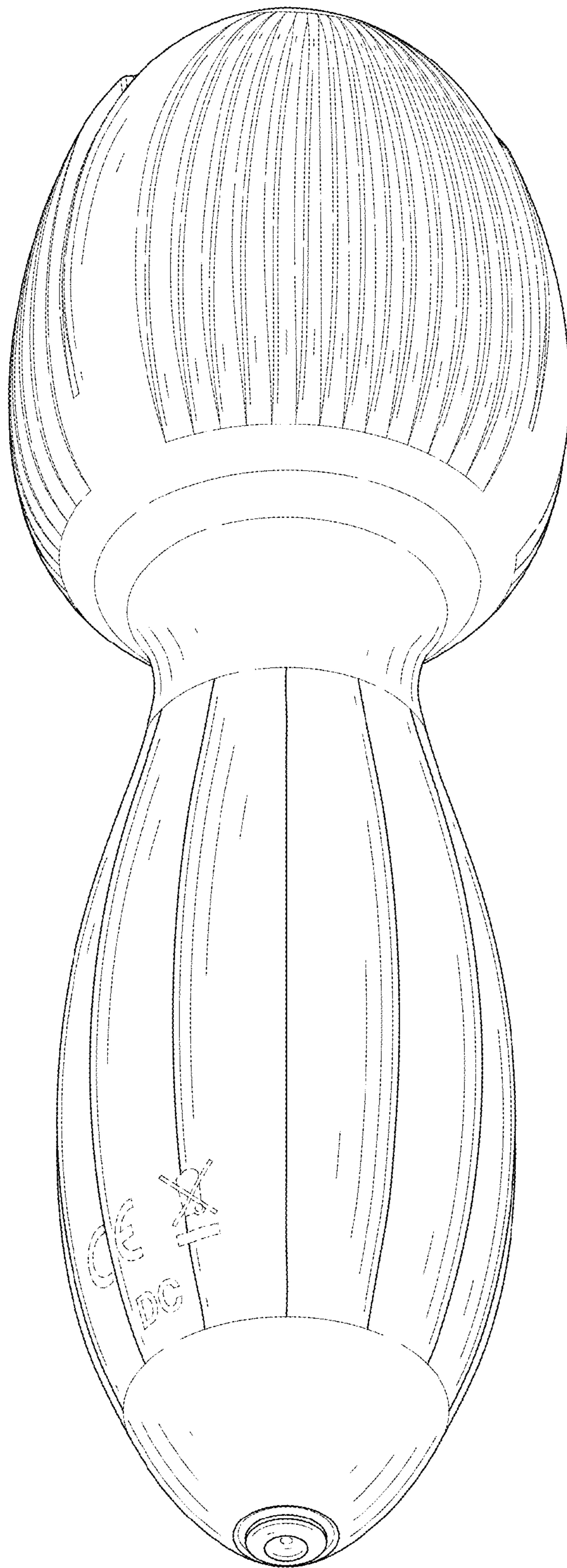


FIG. 2

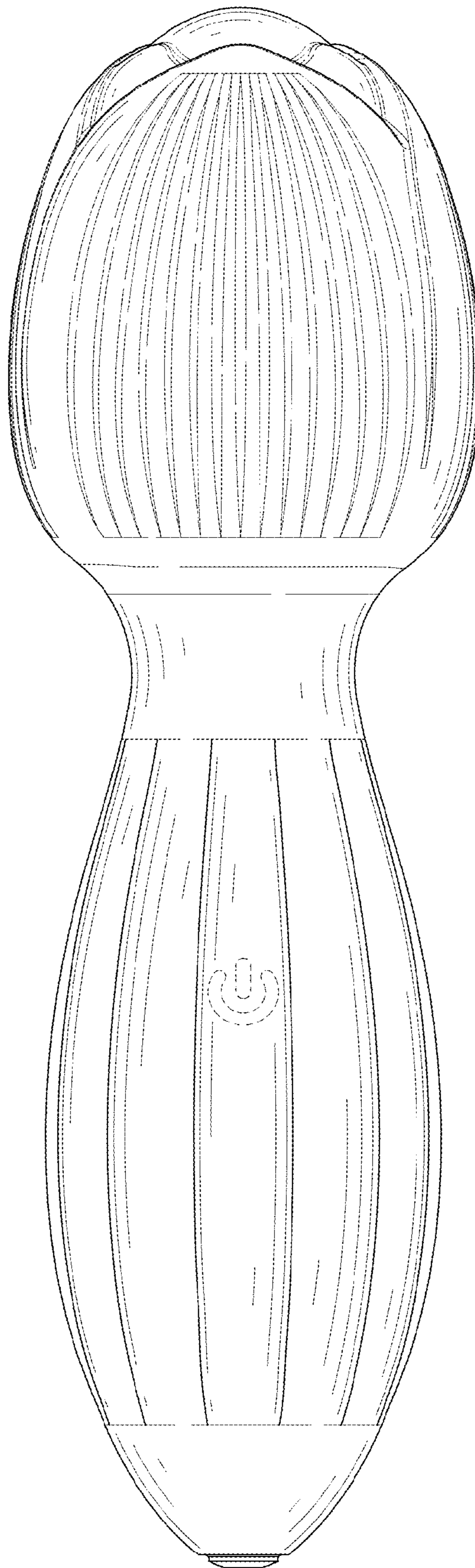


FIG. 3

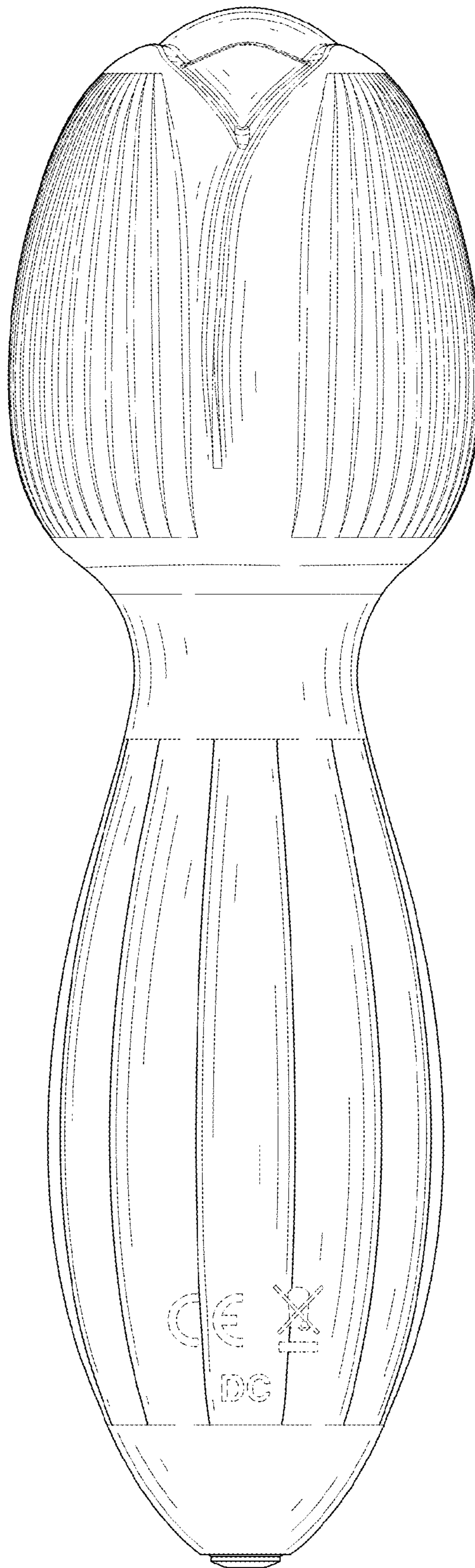


FIG. 4

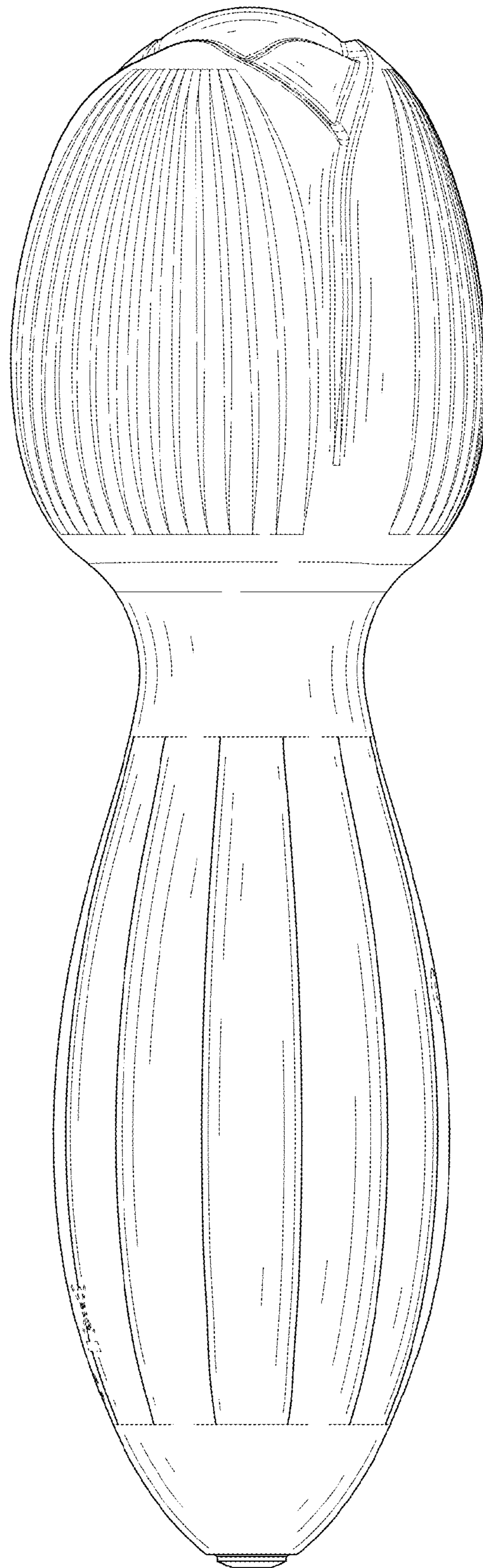


FIG. 5

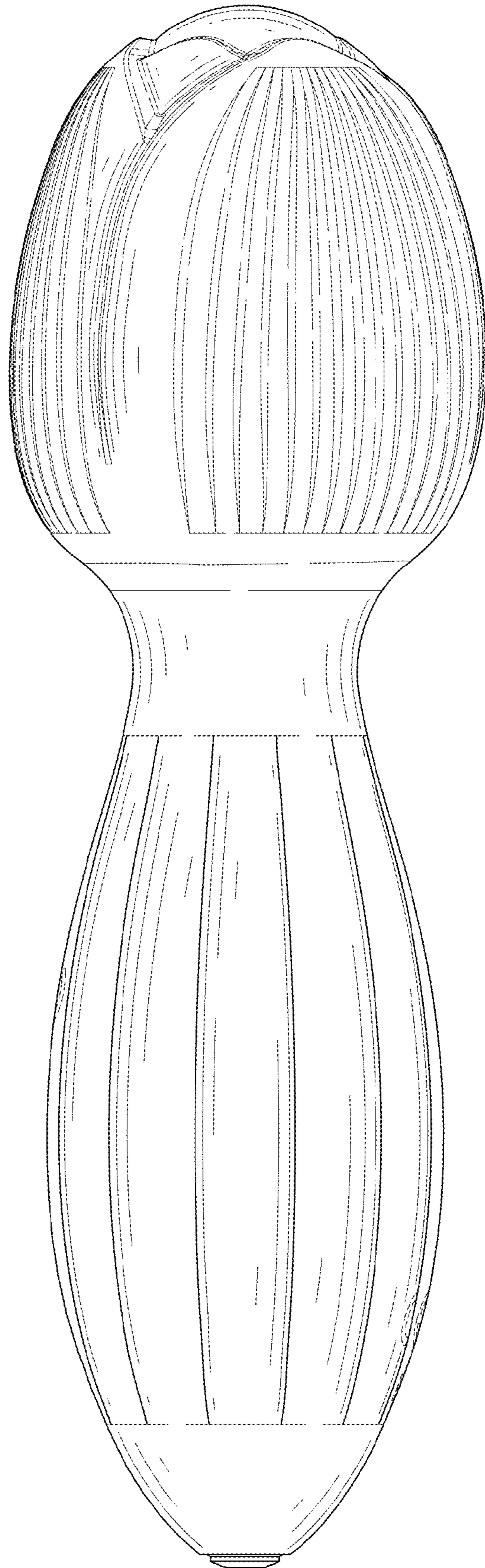


FIG. 6

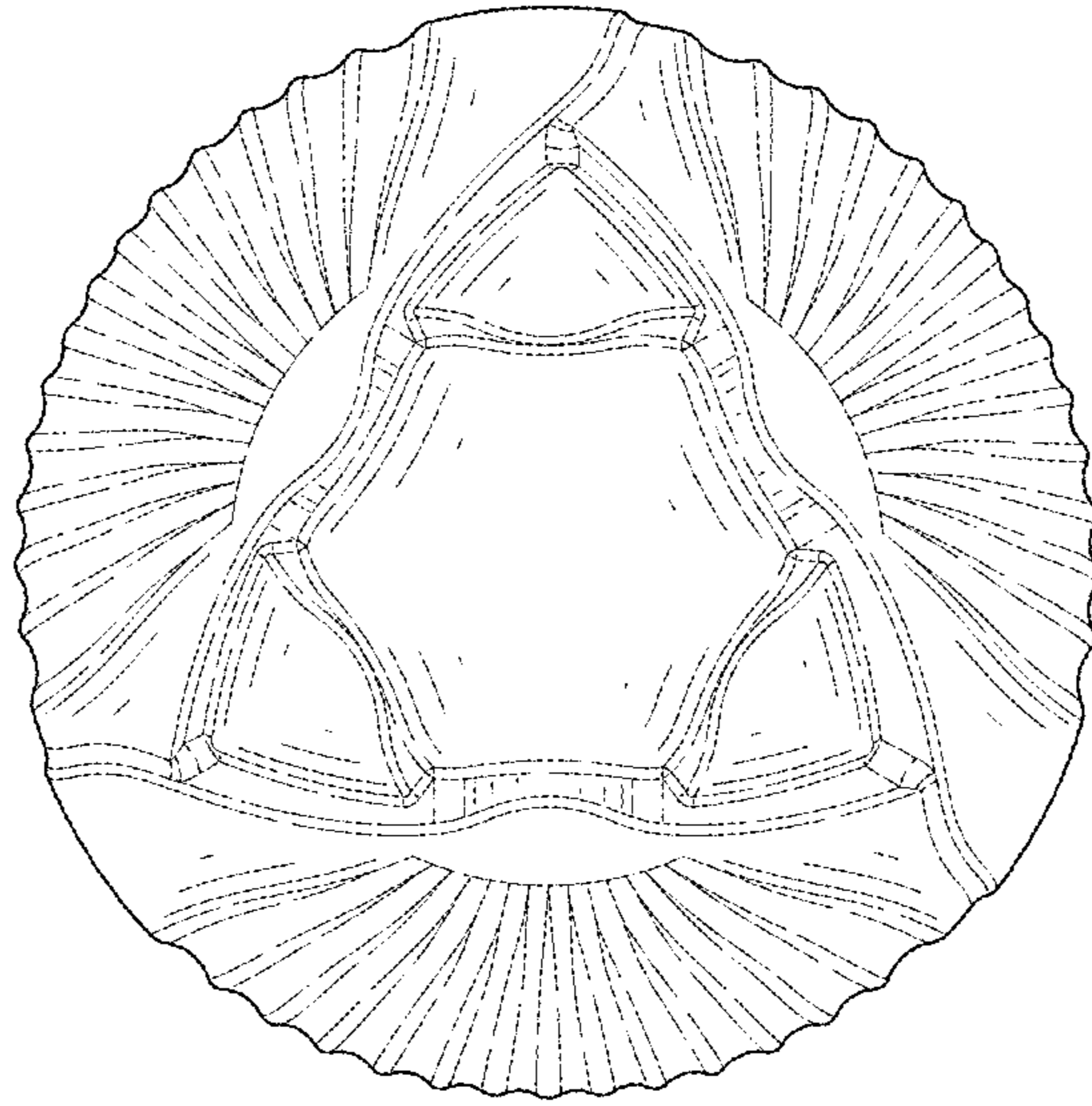


FIG. 7



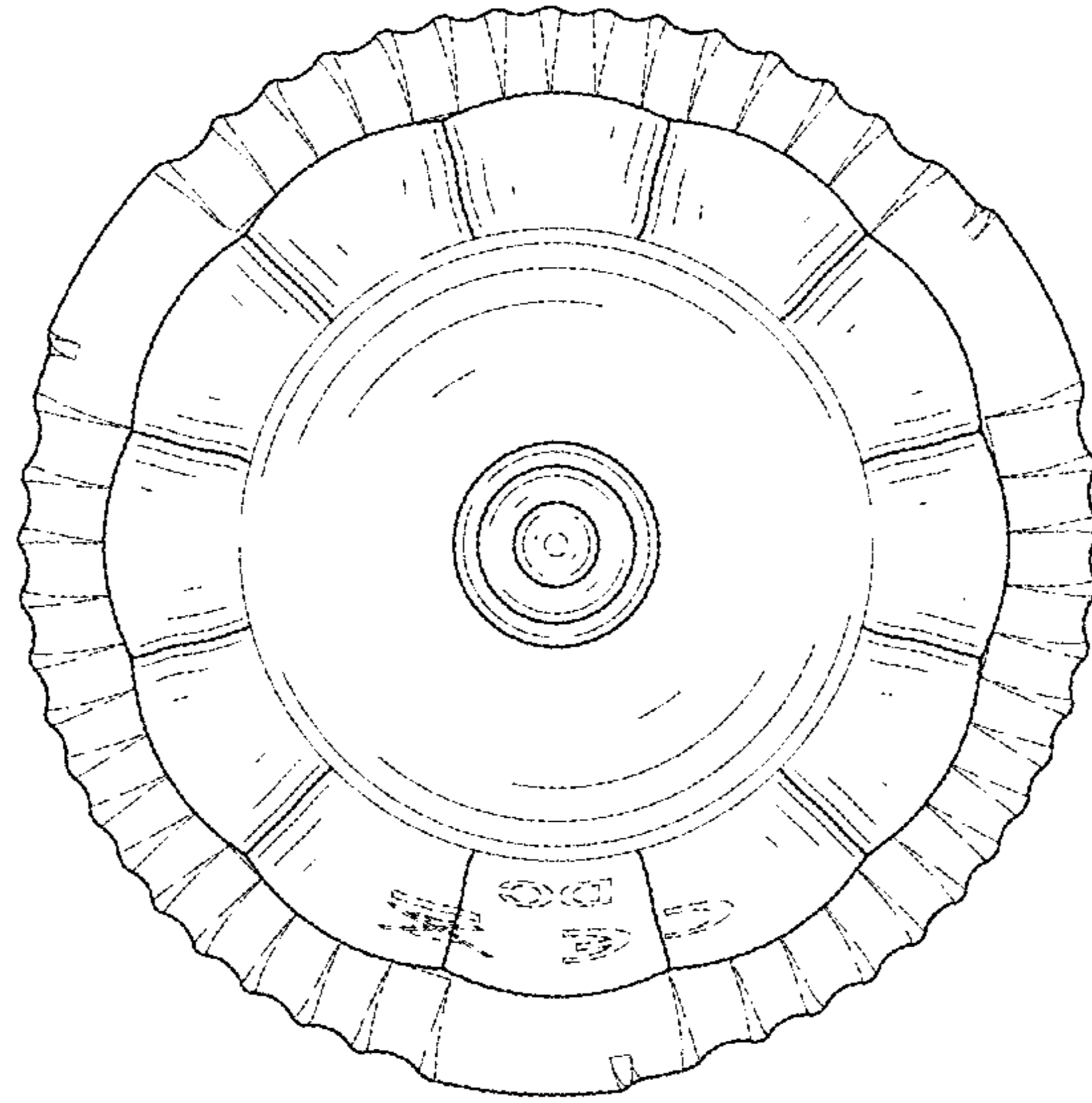


FIG. 8

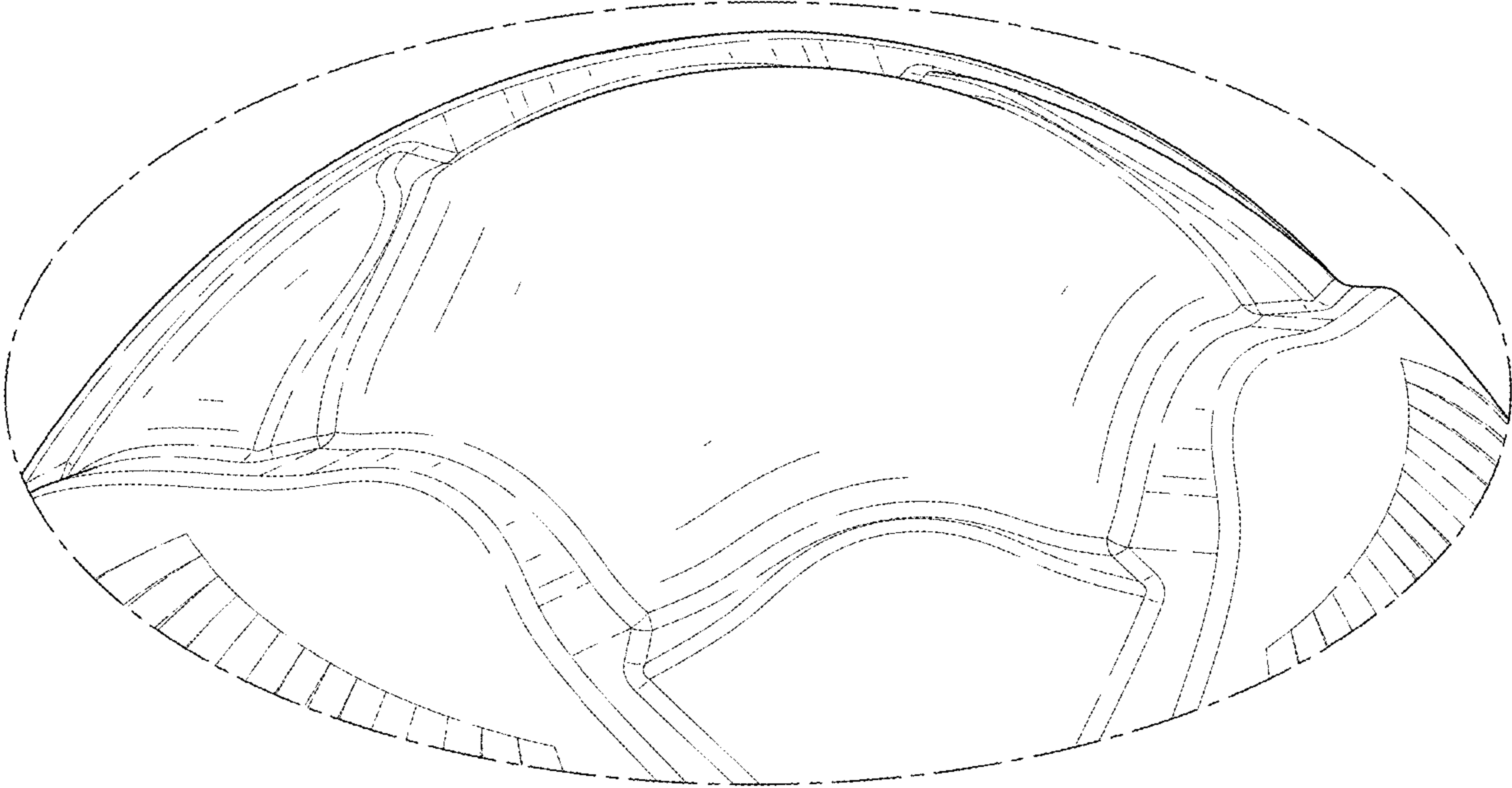


FIG. 9