



US00D974583S

(12) **United States Design Patent** (10) **Patent No.:** **US D974,583 S**  
**Lin** (45) **Date of Patent:** **\*\* Jan. 3, 2023**

(54) **FASCIA GUN**  
(71) Applicant: **Xilong Lin**, Wenzhou (CN)  
(72) Inventor: **Xilong Lin**, Wenzhou (CN)  
(\*\*) Term: **15 Years**  
(21) Appl. No.: **29/783,388**  
(22) Filed: **May 12, 2021**

D949,401 S \* 4/2022 Lee ..... D24/215  
D950,085 S \* 4/2022 Zhu ..... D24/214  
D950,752 S \* 5/2022 Wang ..... D24/215  
D952,884 S \* 5/2022 Wang ..... D24/215  
D955,595 S \* 6/2022 Wersland ..... D24/215  
D956,249 S \* 6/2022 Ying ..... D24/215  
D958,387 S \* 7/2022 Qin ..... D24/215  
D959,008 S \* 7/2022 Qin ..... D24/215  
D961,796 S \* 8/2022 Qin ..... D24/215  
D963,881 S \* 9/2022 Deng ..... D24/215

(30) **Foreign Application Priority Data**  
Apr. 2, 2021 (CN) ..... 202130186272.6  
(51) **LOC (14) Cl.** ..... **24-01**  
(52) **U.S. Cl.**  
USPC ..... **D24/215**  
(58) **Field of Classification Search**  
USPC ..... D24/200, 211, 212, 213, 214, 215;  
D8/14.1; D28/13  
CPC ..... A61H 23/006; A61H 2201/0153; A61H  
2201/0157; A61H 7/005; A61H 23/00;  
A61H 7/00; A61H 7/007  
See application file for complete search history.

**OTHER PUBLICATIONS**

Amazon, "SHZEHJ Massage Gun", Access Date: Oct. 14, 2022.  
[https://www.amazon.com/SHZFEHJ-Cross-Border-Relaxation-Exerciser-Physiotherapy/dp/B09WLRP4KJ/ref=sr\\_1\\_5?keywords=Triangle+Massage+Gun+Massage&qid=1665744367&sr=8-5](https://www.amazon.com/SHZFEHJ-Cross-Border-Relaxation-Exerciser-Physiotherapy/dp/B09WLRP4KJ/ref=sr_1_5?keywords=Triangle+Massage+Gun+Massage&qid=1665744367&sr=8-5) (Year: 2022).\*  
Alibaba, "KH-750 Massage Gun", Access Date: Oct. 14, 2022.  
[https://www.alibaba.com/product-detail/KH-750-Electric-Body-Massager-Home\\_1600316895212.html](https://www.alibaba.com/product-detail/KH-750-Electric-Body-Massager-Home_1600316895212.html) (Year: 2022).\*

\* cited by examiner

*Primary Examiner* — Michael A Maharajh  
(74) *Attorney, Agent, or Firm* — Georgi Korobanov

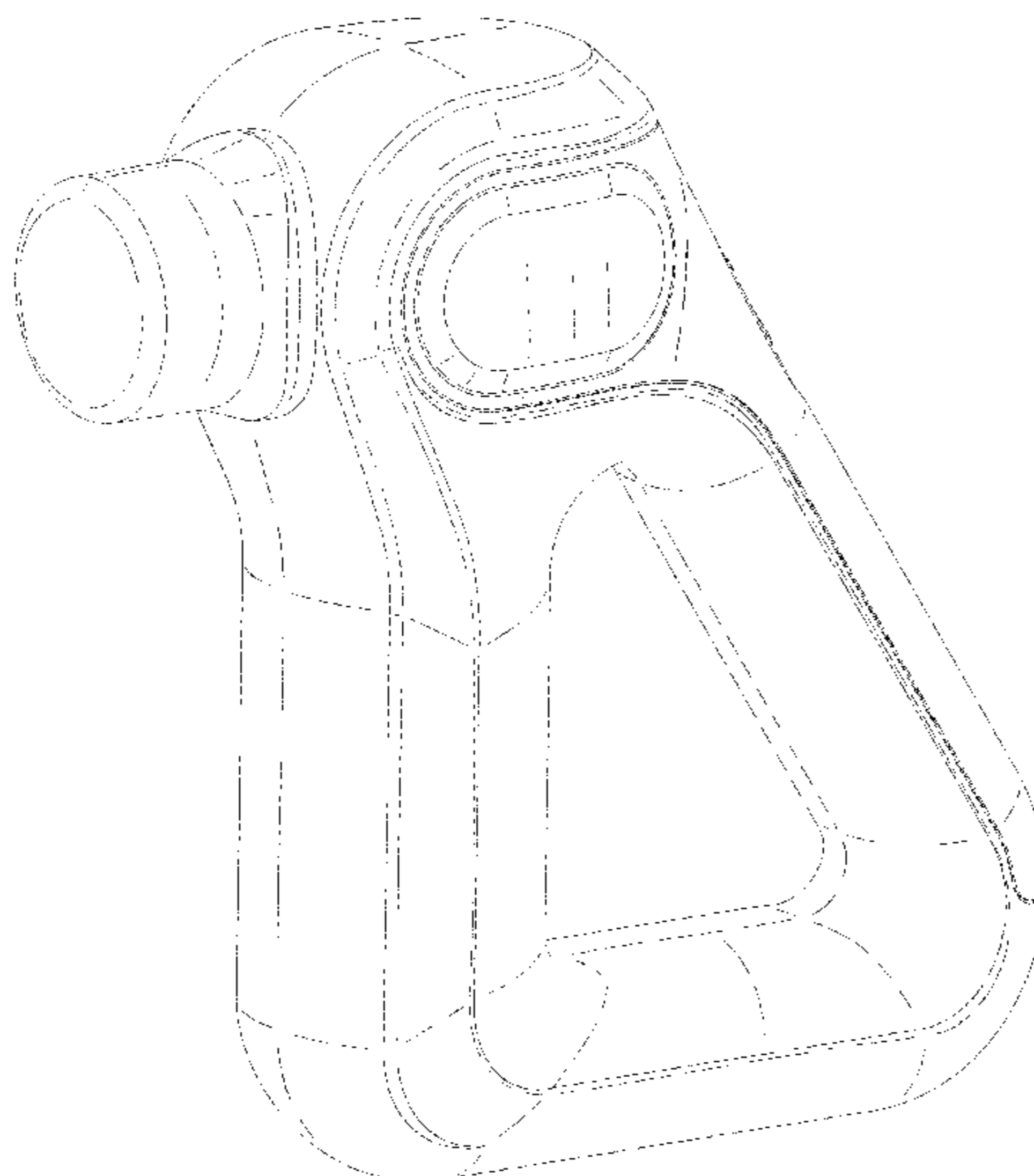
(56) **References Cited**  
**U.S. PATENT DOCUMENTS**  
D872,869 S \* 1/2020 Lu ..... D24/215  
D877,351 S \* 3/2020 Wersland ..... D24/215  
D879,985 S \* 3/2020 Wersland ..... D24/214  
D879,986 S \* 3/2020 Wersland ..... D24/214  
D880,714 S \* 4/2020 Wersland ..... D24/215  
D880,715 S \* 4/2020 Wersland ..... D24/215  
D880,716 S \* 4/2020 Wersland ..... D24/215  
D884,915 S \* 5/2020 Wersland ..... D24/215  
D885,601 S \* 5/2020 Wersland ..... D24/215  
D887,573 S \* 6/2020 Wersland ..... D24/215  
D896,396 S \* 9/2020 Wersland ..... D24/215  
D912,268 S \* 3/2021 Xiang ..... D24/215  
D930,179 S \* 9/2021 Zhu ..... D24/215  
D949,390 S \* 4/2022 Wersland ..... D24/215  
D949,391 S \* 4/2022 Wersland ..... D24/215  
D949,392 S \* 4/2022 Wersland ..... D24/215

(57) **CLAIM**  
The ornamental design for a fascia gun, as shown and described.

**DESCRIPTION**

FIG. 1 is a perspective view of a fascia gun showing my new design;  
FIG. 2 is another perspective view;  
FIG. 3 is a front view thereof;  
FIG. 4 is a back view thereof;  
FIG. 5 is a left side view thereof;  
FIG. 6 is a right side view thereof;  
FIG. 7 is a top plan view thereof; and,  
FIG. 8 is a bottom plan view thereof.

**1 Claim, 8 Drawing Sheets**



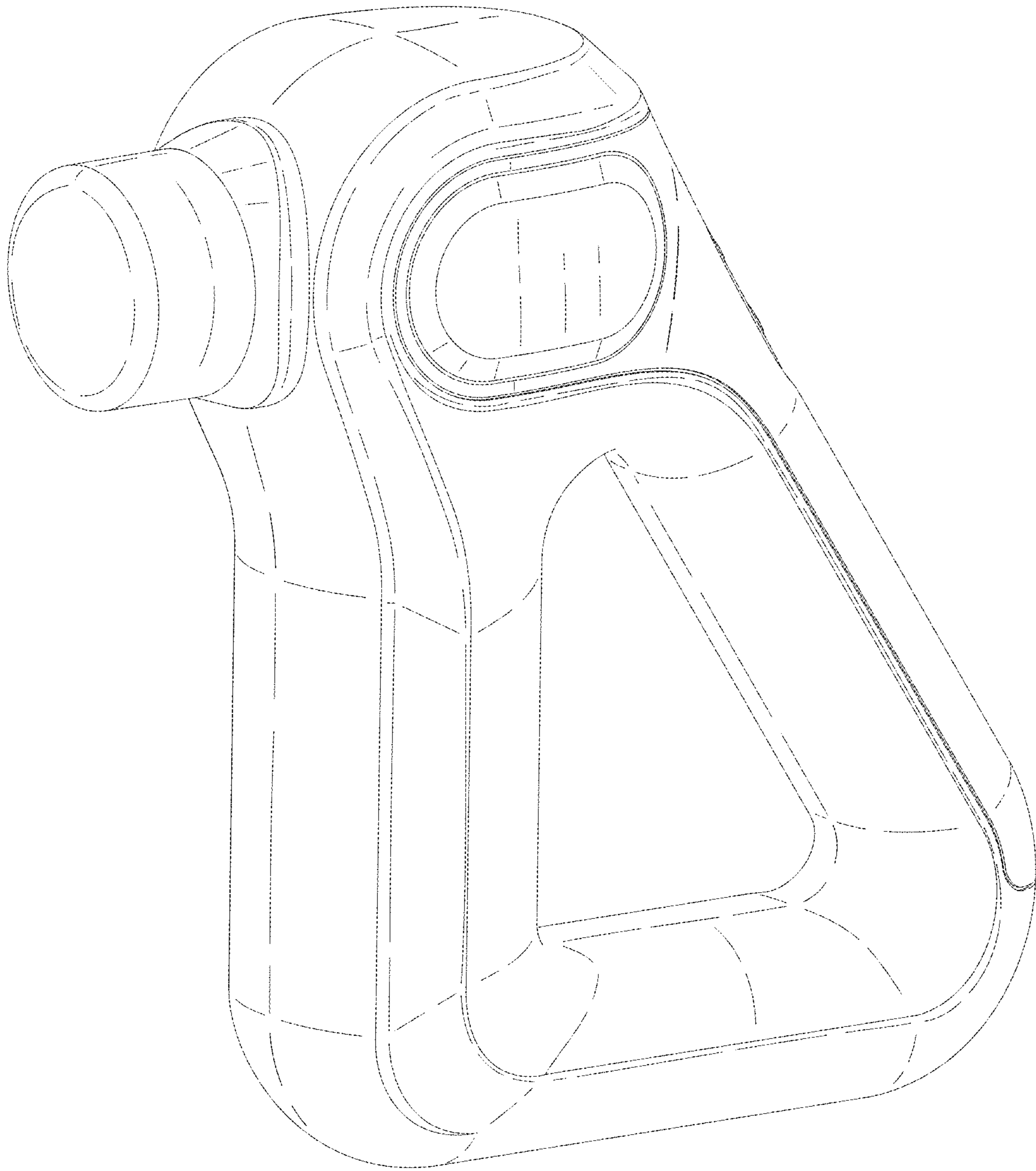


FIG. 1

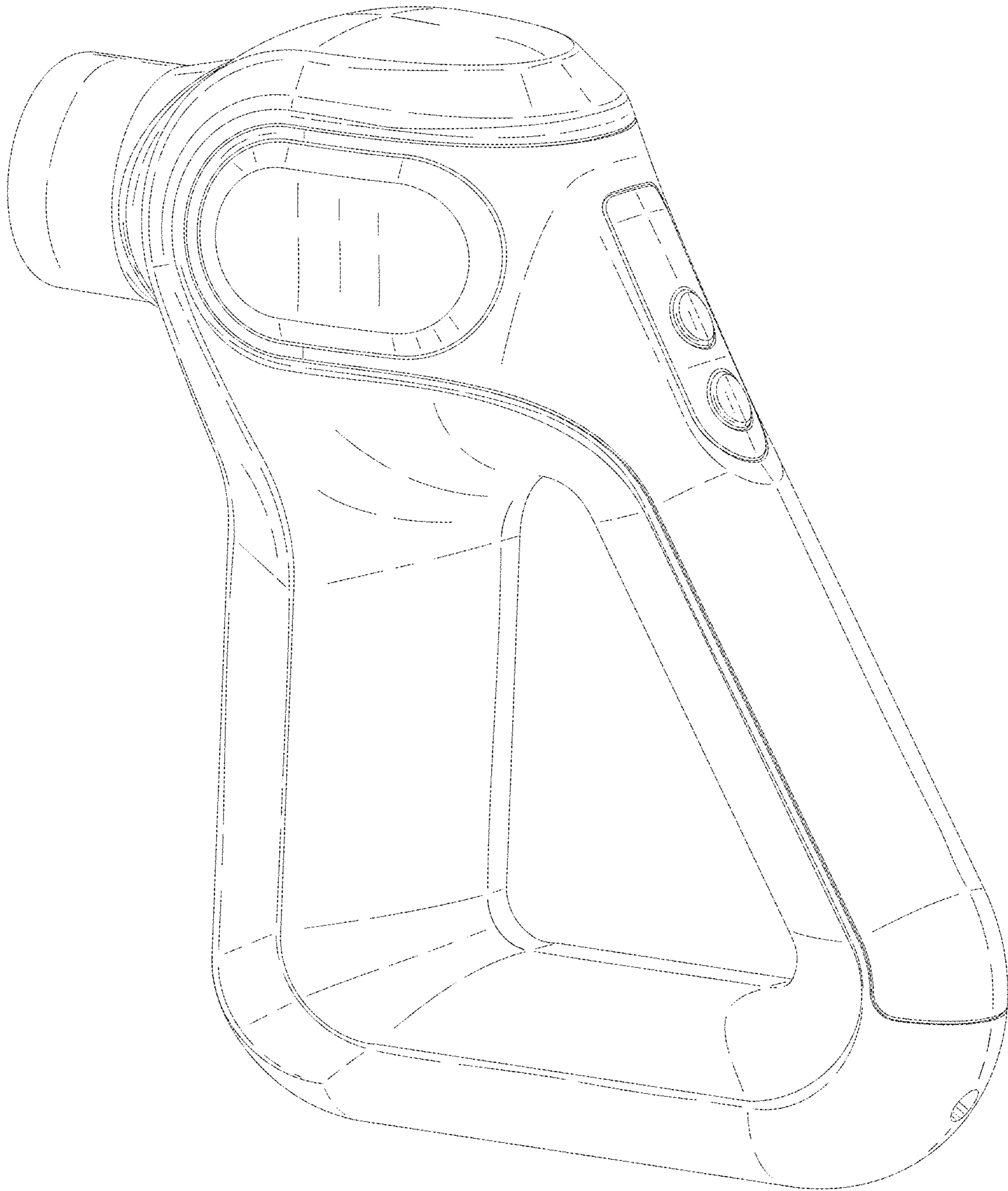


FIG. 2

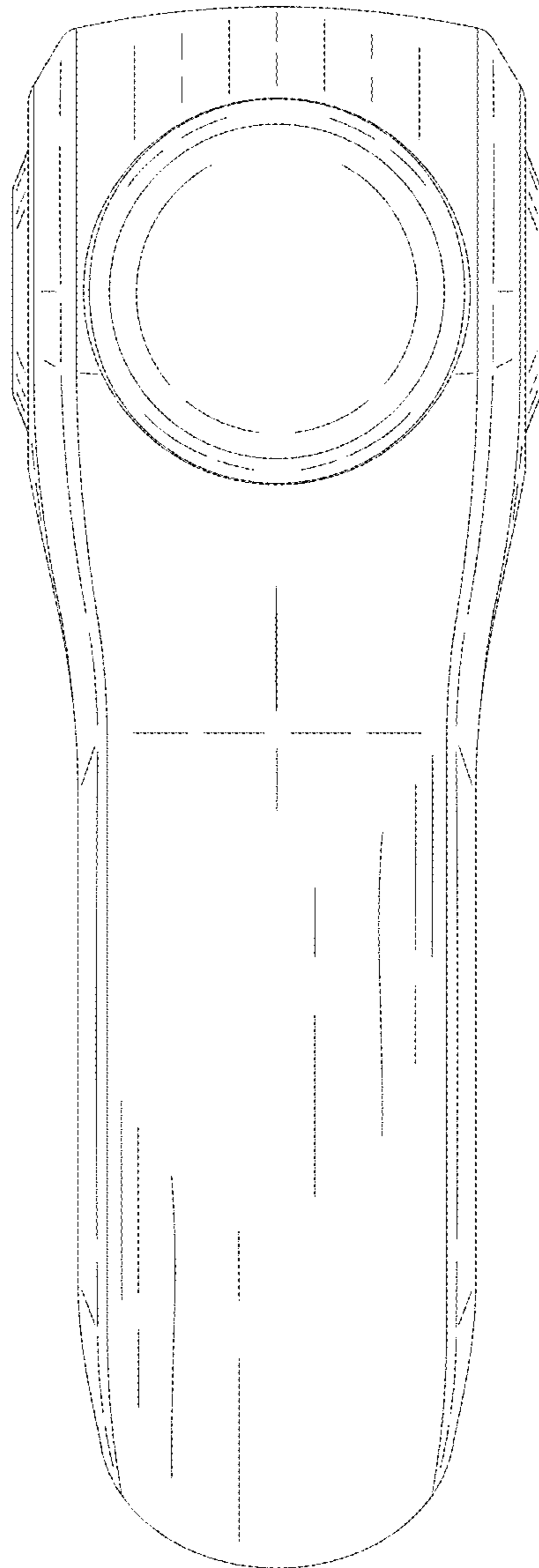


FIG. 3

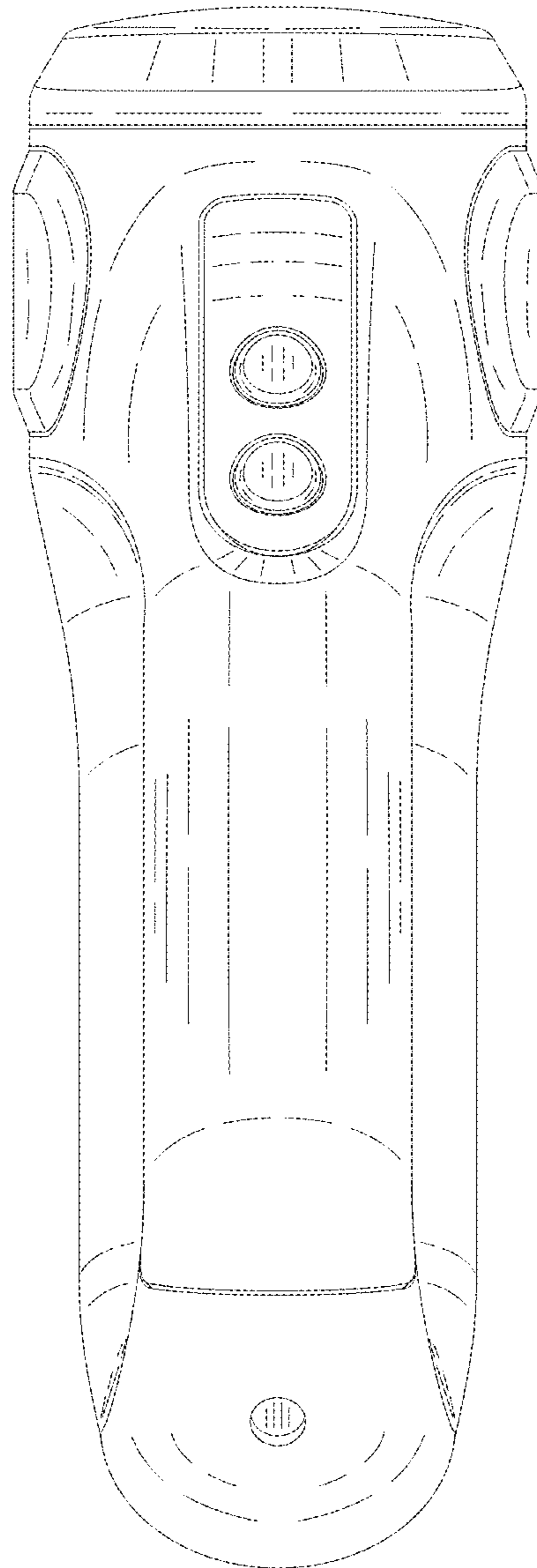


FIG. 4

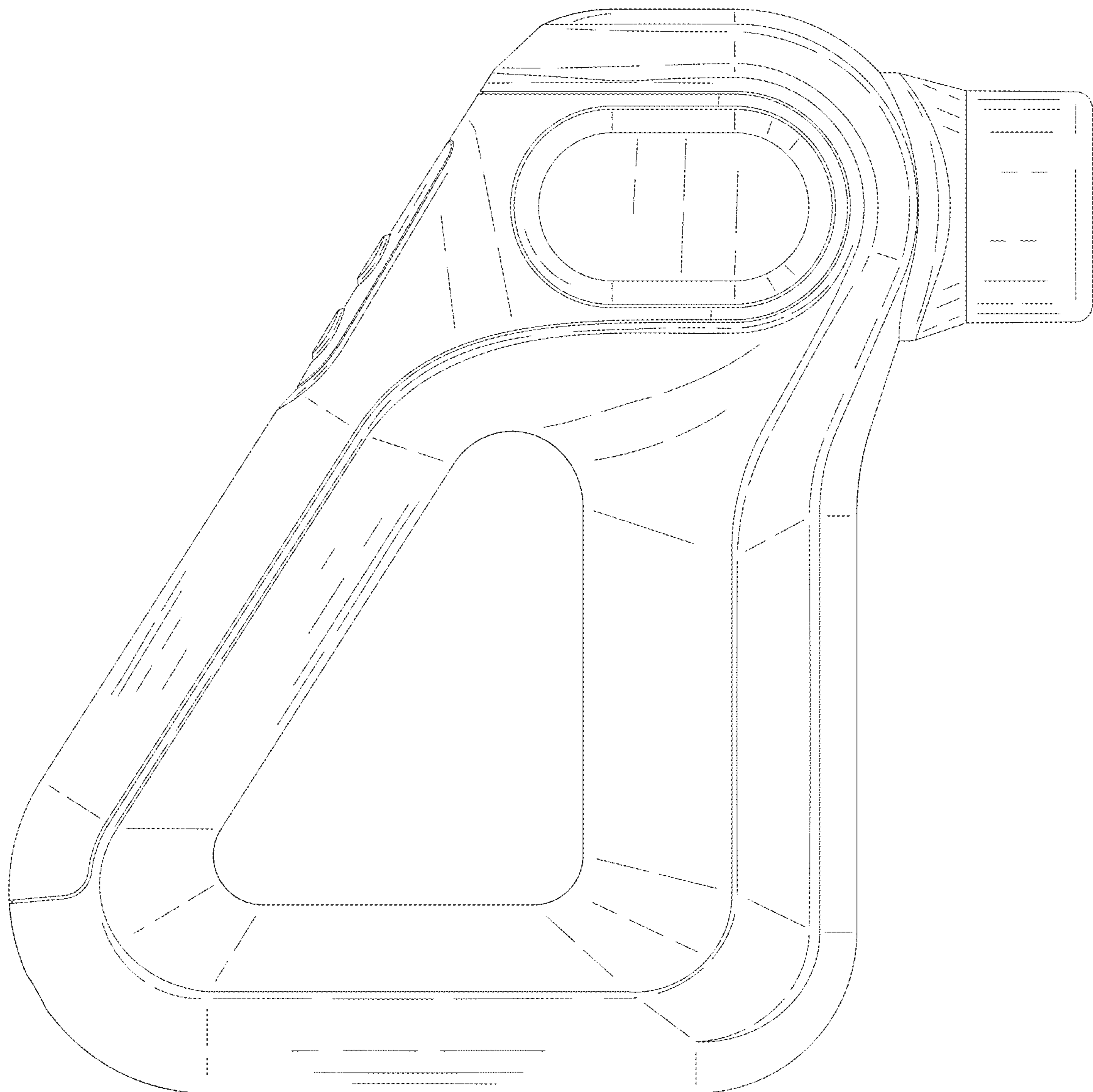


FIG. 5

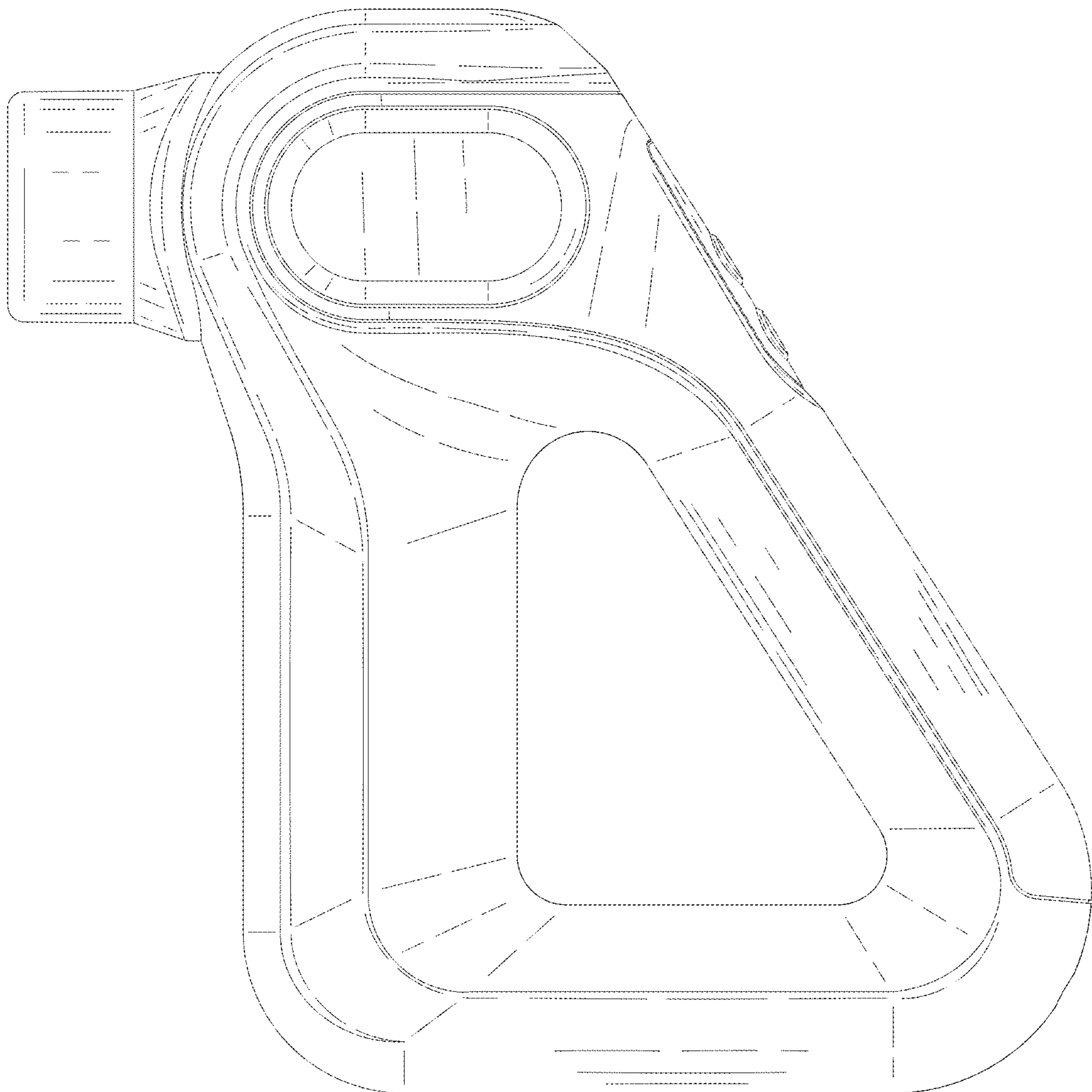


FIG. 6

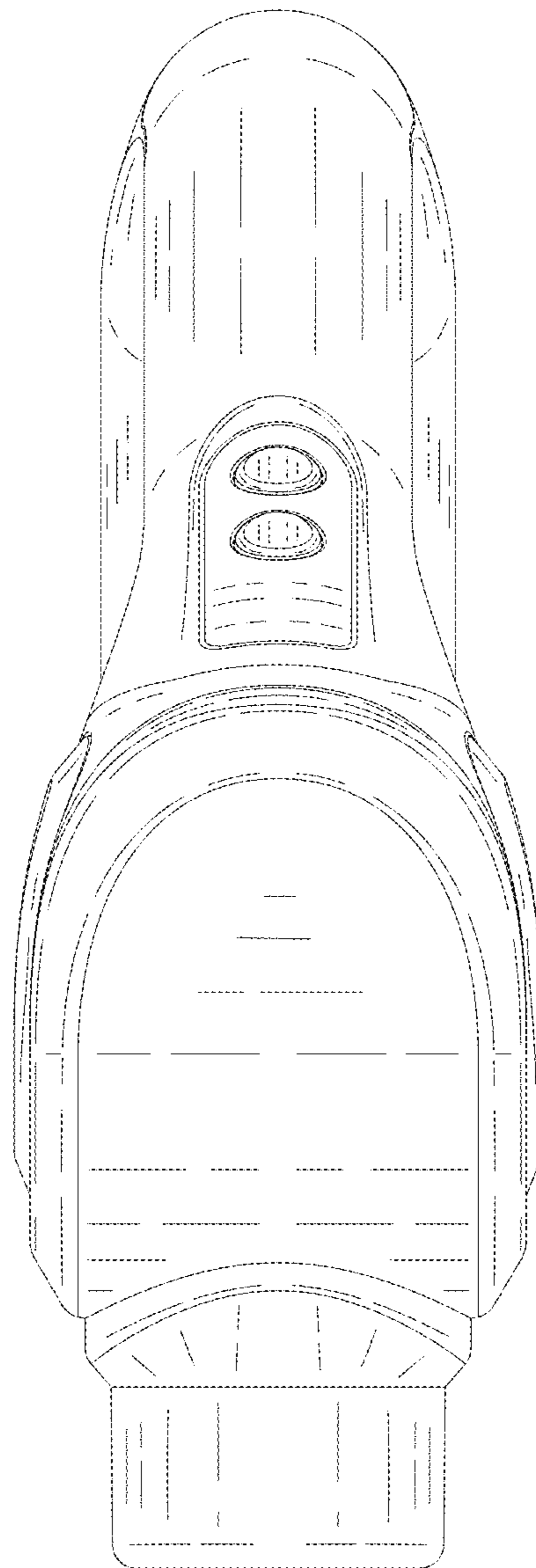


FIG. 7



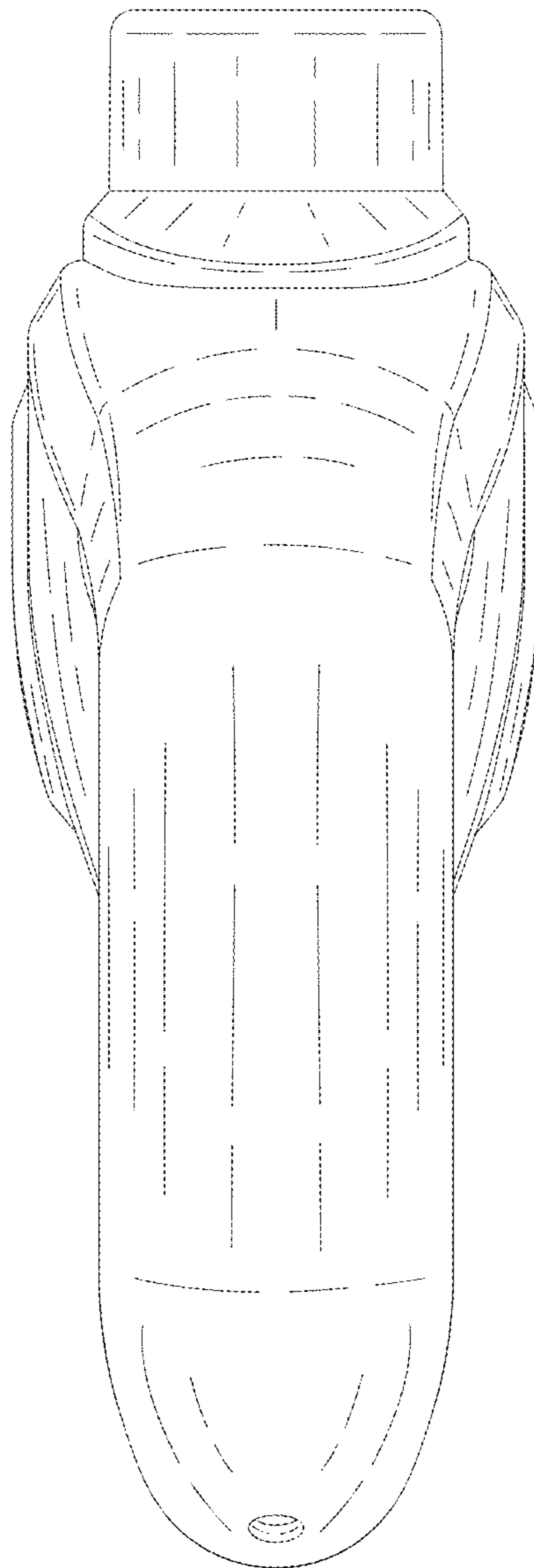


FIG. 8