



US00D974579S

(12) **United States Design Patent** (10) **Patent No.:** **US D974,579 S**
Jin (45) **Date of Patent:** **** Jan. 3, 2023**

(54) **RF EYE MASSAGER**

(71) Applicant: **Shenzhen DJ Innovation Industry Co., Ltd, Shenzhen (CN)**

(72) Inventor: **Bo Jin, Shenzhen (CN)**

(**) Term: **15 Years**

(21) Appl. No.: **29/751,872**

(22) Filed: **Sep. 23, 2020**

(30) **Foreign Application Priority Data**

Aug. 7, 2020 (CN) 202030448064.4

(51) **LOC (14) Cl.** **28-03**

(52) **U.S. Cl.**
USPC **D24/215**

(58) **Field of Classification Search**
USPC D24/215, 211, 212, 213, 214, 107, 231, D24/209
CPC A61H 7/00; A61H 7/002; A61H 7/003; A61H 7/005; A61H 5/00; A61H 15/02; A61N 5/00; A61N 5/06; A61N 1/40
See application file for complete search history.

(56) **References Cited**

U.S. PATENT DOCUMENTS

D534,167 S *	12/2006	Harkabi	D14/480.5
D700,965 S *	3/2014	Krishnan	D24/133
D726,926 S *	4/2015	Matsushita	D24/200
D829,333 S *	9/2018	Shin	D24/209
D854,699 S *	7/2019	Peterson	D24/214
D905,259 S *	12/2020	Wang	D24/206
D924,421 S *	7/2021	Luo	D24/215
D924,423 S *	7/2021	Luo	D24/215
2014/0316310 A1 *	10/2014	Ackermann	A61H 1/00 601/46
2019/0021941 A1 *	1/2019	Jeong	A61H 15/0092
2020/0085675 A1 *	3/2020	Lee	A61H 15/0085
2021/0077347 A1 *	3/2021	Salamon	A61H 33/06

OTHER PUBLICATIONS

Doublecare—Pore Vacuum with Camera. Date: Sep. 5, 2020. [online]. [Site visited Dec. 3, 2021]. Available from Internet URL: <https://www.amazon.co.uk/dp/B08F9YFMZX/?th=1> (Year: 2020).*

Yavocos—Radio Frequency Mesotherapy Face Lift Massager. Date: Oct. 28, 2017. [online]. [Site visited Dec. 3, 2021]. Available from Internet URL: <https://www.amazon.co.uk/dp/B076YYWFFW/> (Year: 2017).*

TBPHP—Heated Sonic Eye Massager. Date: Sep. 3, 2020. [online]. [Site visited Dec. 3, 2021]. Available from Internet URL: <https://www.amazon.co.uk/dp/B08F4VQGG8/> (Year: 2020).*

Massagers. (Design—© Questel) orbit.com. [Online PDF compilation of references] 30 pgs. Print Dates Range Jan. 27, 2016-Jul. 6, 2021 [Retrieved Dec. 20, 2021] <https://www.orbit.com/export/UCZAH96B/pdf4/76914d96-354c-4dd9-8fe5-b99ab770586a-164408.pdf> (Year: 2021).*

* cited by examiner

Primary Examiner — Susan Bennett Hattan
Assistant Examiner — Landon Thomas Cassell
(74) *Attorney, Agent, or Firm* — Runit Ranjit Kanakia

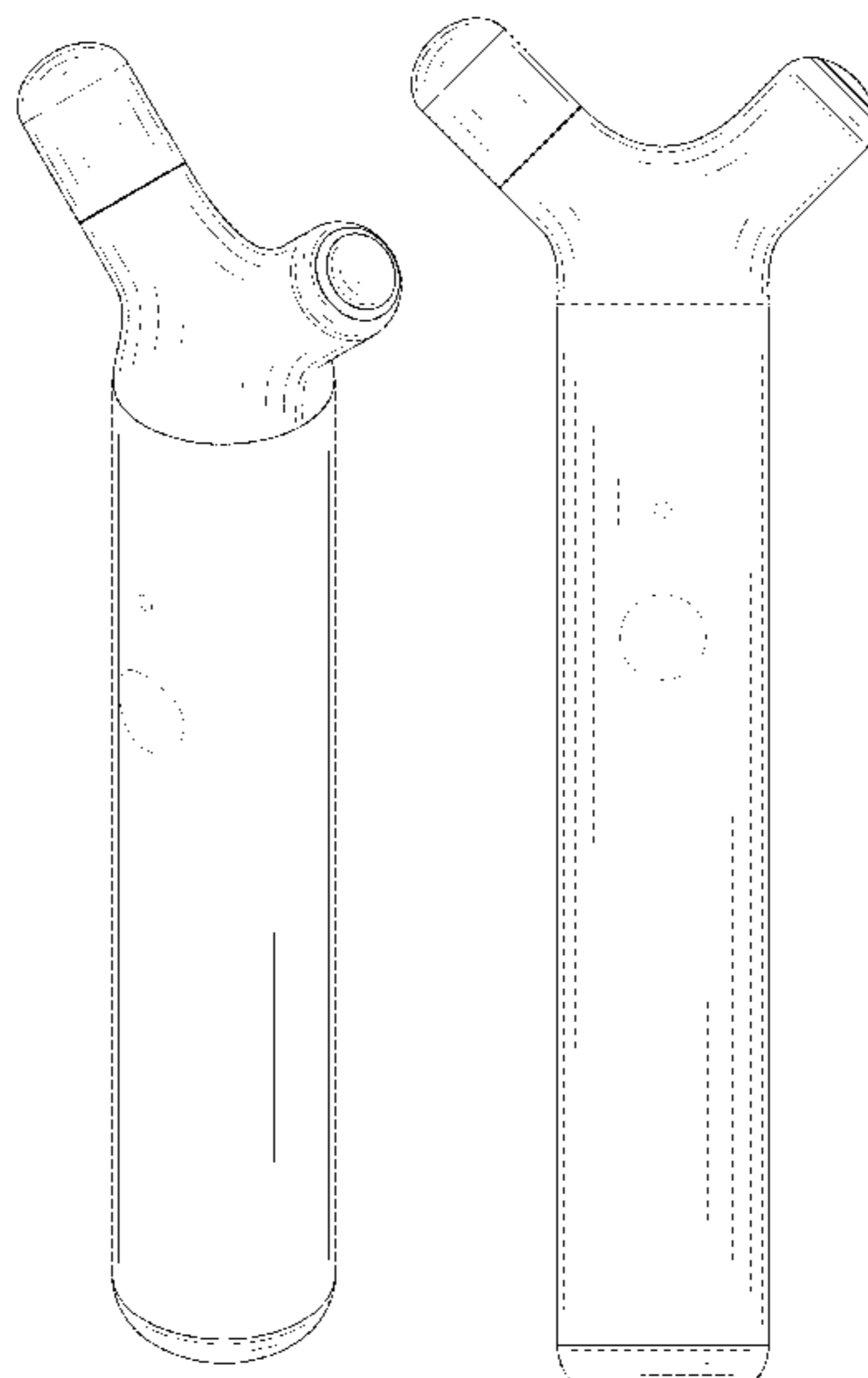
(57) **CLAIM**

The ornamental design for a RF eye massager, as shown and described.

DESCRIPTION

FIG. 1 is a first perspective view of a RF eye massager showing my new design;
FIG. 2 is a second perspective view thereof;
FIG. 3 is a front view thereof;
FIG. 4 is a back view thereof;
FIG. 5 is a left side view thereof;
FIG. 6 is a right side view thereof;
FIG. 7 is a top view thereof; and,
FIG. 8 is a bottom view thereof.
The broken lines, shown in the drawings depict portions of the RF eye massager in which the design is embodied that form no part of the claimed design.

1 Claim, 8 Drawing Sheets



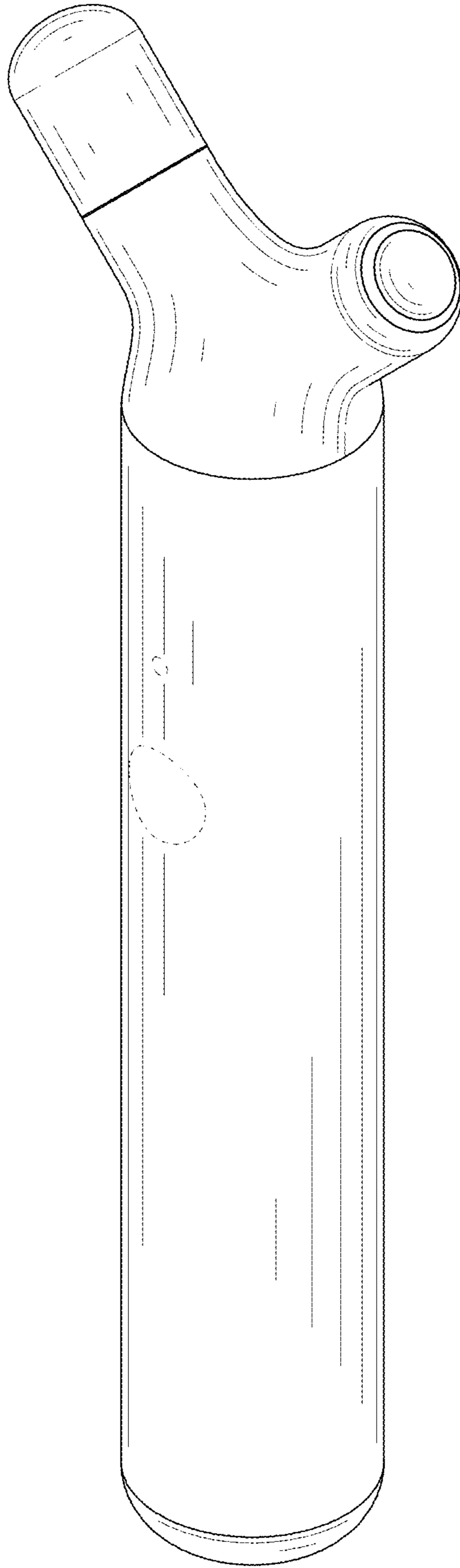


FIG. 1

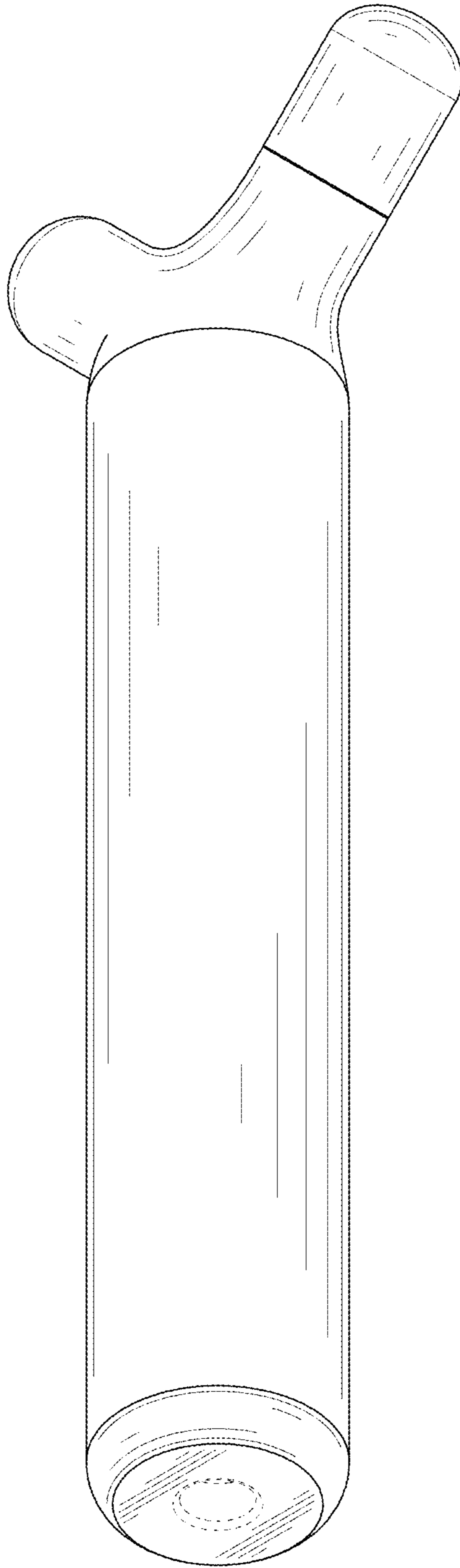


FIG. 2

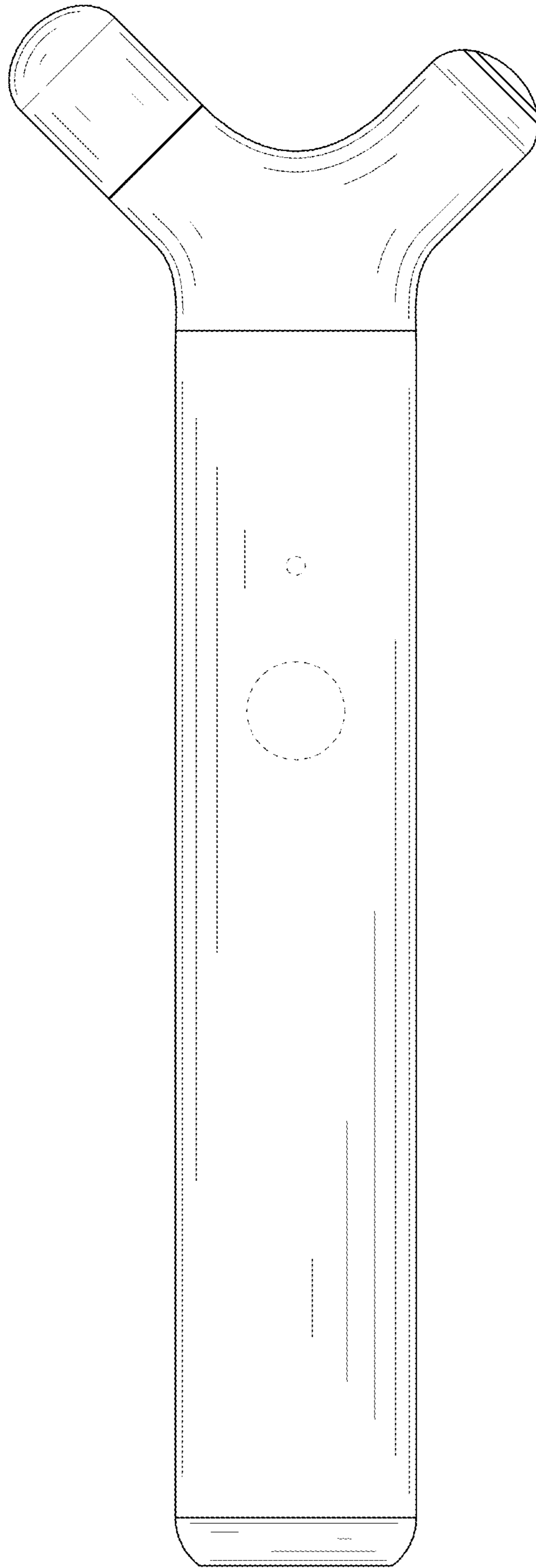


FIG. 3

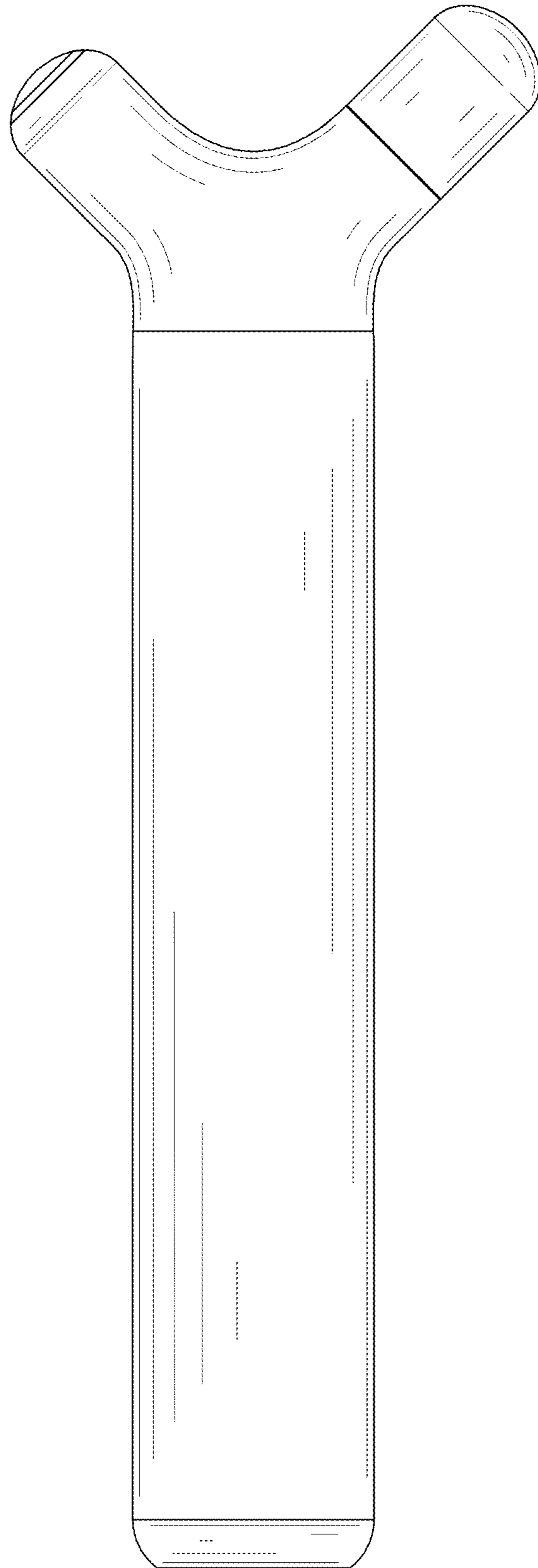


FIG. 4

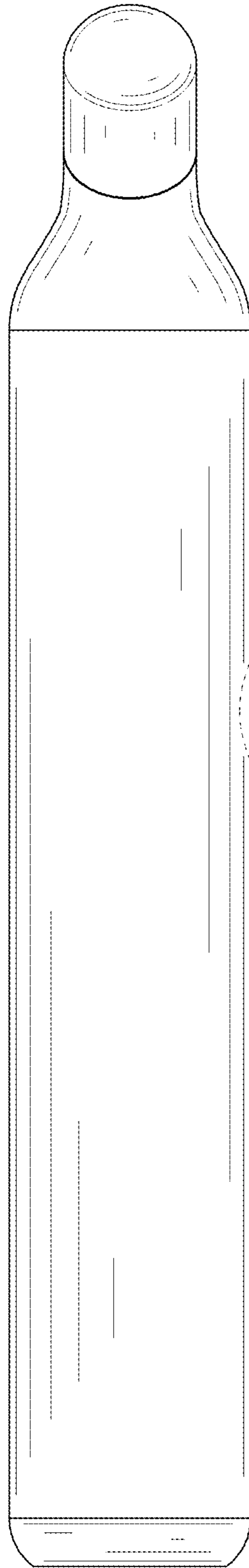


FIG. 5

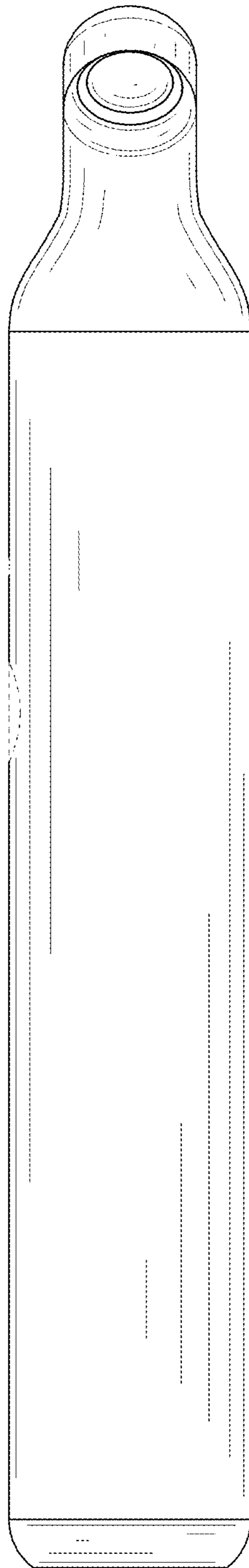


FIG. 6

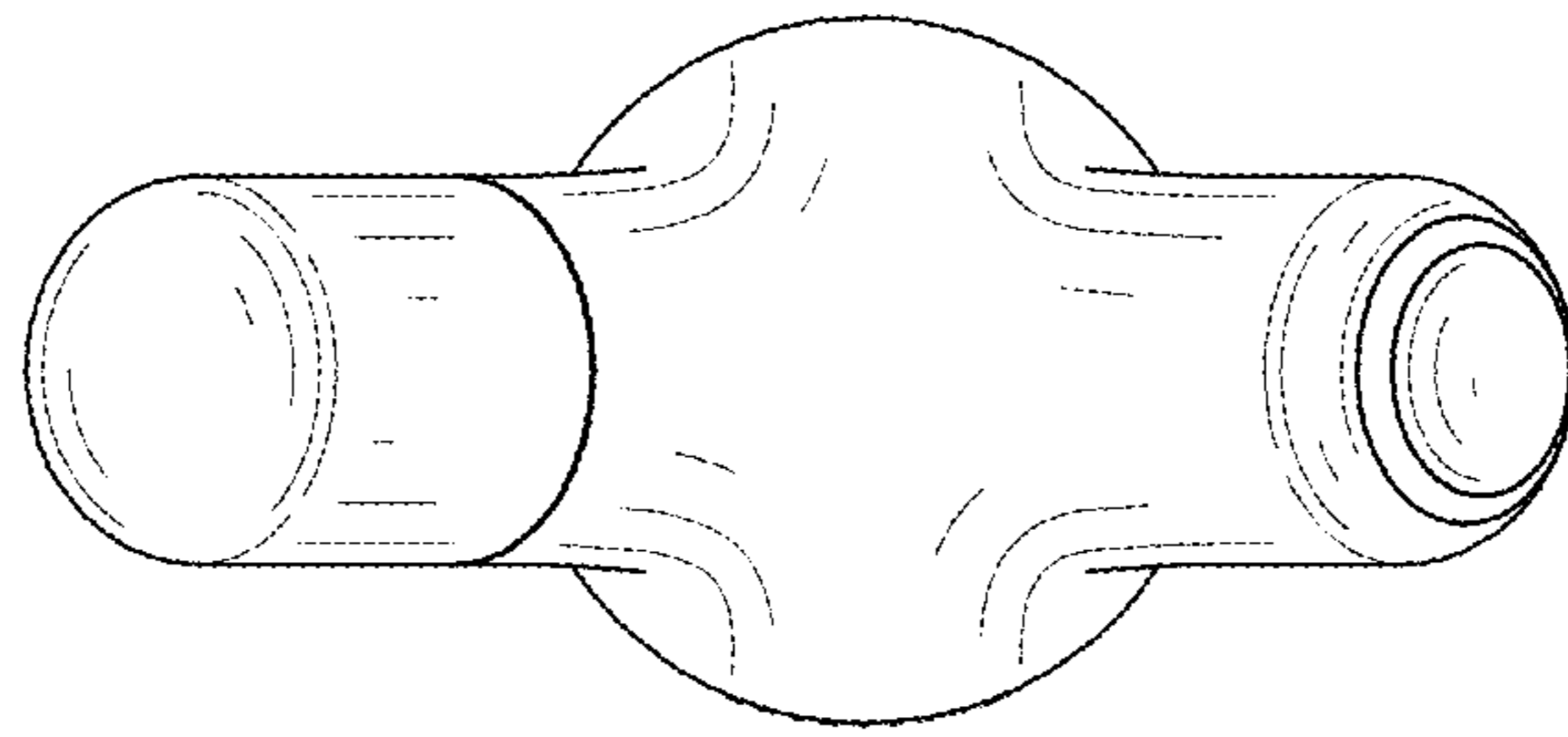


FIG. 7

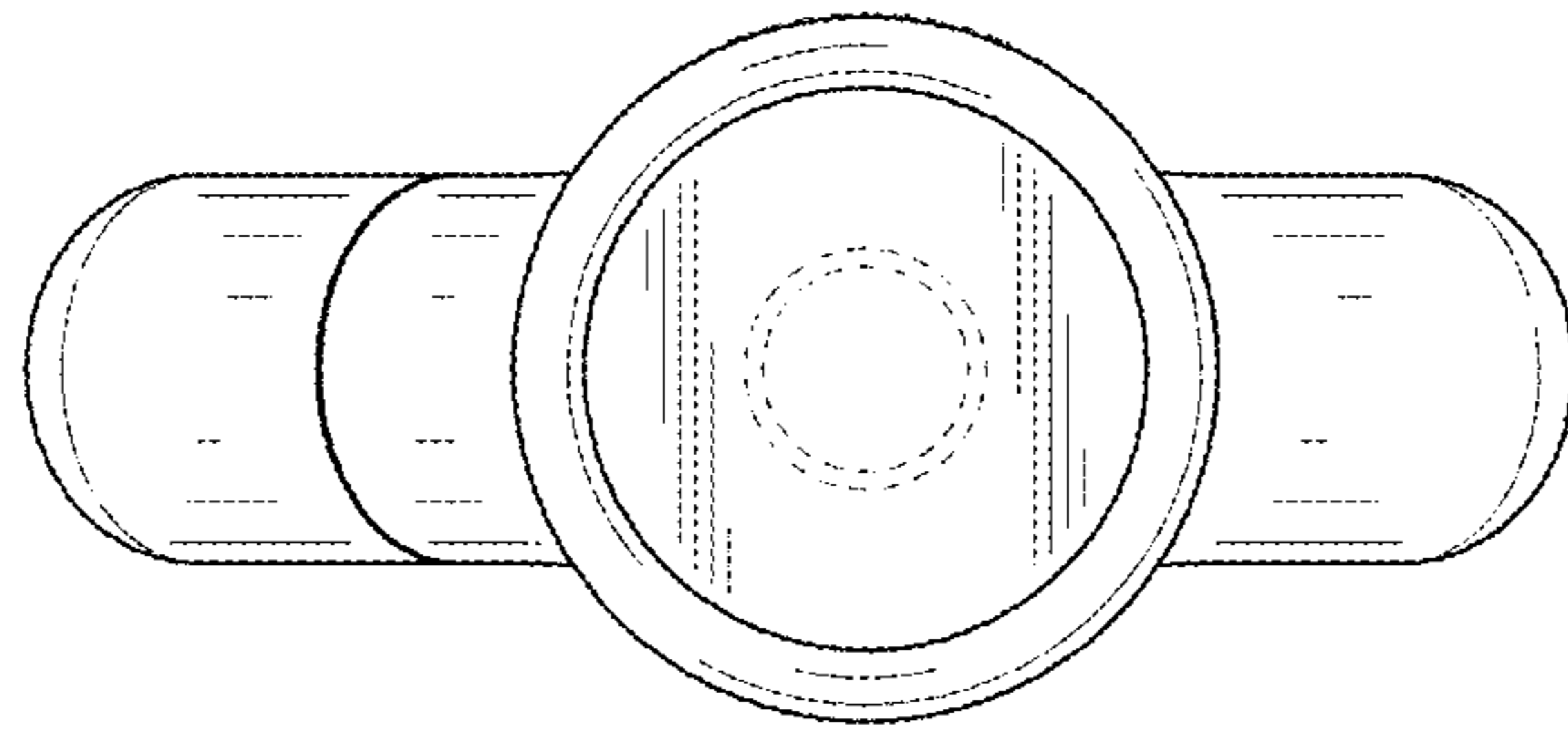


FIG. 8