



US00D974576S

(12) **United States Design Patent**  
**Onarheim**

(10) **Patent No.:** **US D974,576 S**  
(45) **Date of Patent:** **\*\* Jan. 3, 2023**

(54) **WEARABLE STIMULATION DEVICE**

(56) **References Cited**

(71) Applicant: **RPW Technology, LLC**, Ossining, NY  
(US)

U.S. PATENT DOCUMENTS

(72) Inventor: **Balder Haraldsson Onarheim**,  
Copenhagen (DK)

D645,968 S	9/2011	Kasabach et al.	
D821,595 S	6/2018	Ito et al.	
D821,596 S	6/2018	Ito et al.	
D859,673 S	9/2019	Ito et al.	
11,291,829 B2 *	4/2022	Onarheim .....	A61N 1/0456
2015/0374971 A1 *	12/2015	Dar .....	A61N 1/0492 607/139
2016/0360990 A1 *	12/2016	Altshuler .....	A61N 1/0456

(73) Assignee: **RPW Technology, LLC**, Ossining, NY  
(US)

(\*\*) Term: **15 Years**

\* cited by examiner

(21) Appl. No.: **29/835,125**

*Primary Examiner* — Wan Laymon

(22) Filed: **Apr. 15, 2022**

(74) *Attorney, Agent, or Firm* — Foley & Lardner LLP

(57) **CLAIM**

I claim the ornamental design for a wearable stimulation device, as shown and described.

**Related U.S. Application Data**

**DESCRIPTION**

(63) Continuation of application No. 29/772,394, filed on Mar. 1, 2021, now Pat. No. Des. 952,167, which is a continuation of application No. 29/690,709, filed on May 9, 2019, now Pat. No. Des. 915,610.

(51) **LOC (14) Cl.** ..... **24-01**

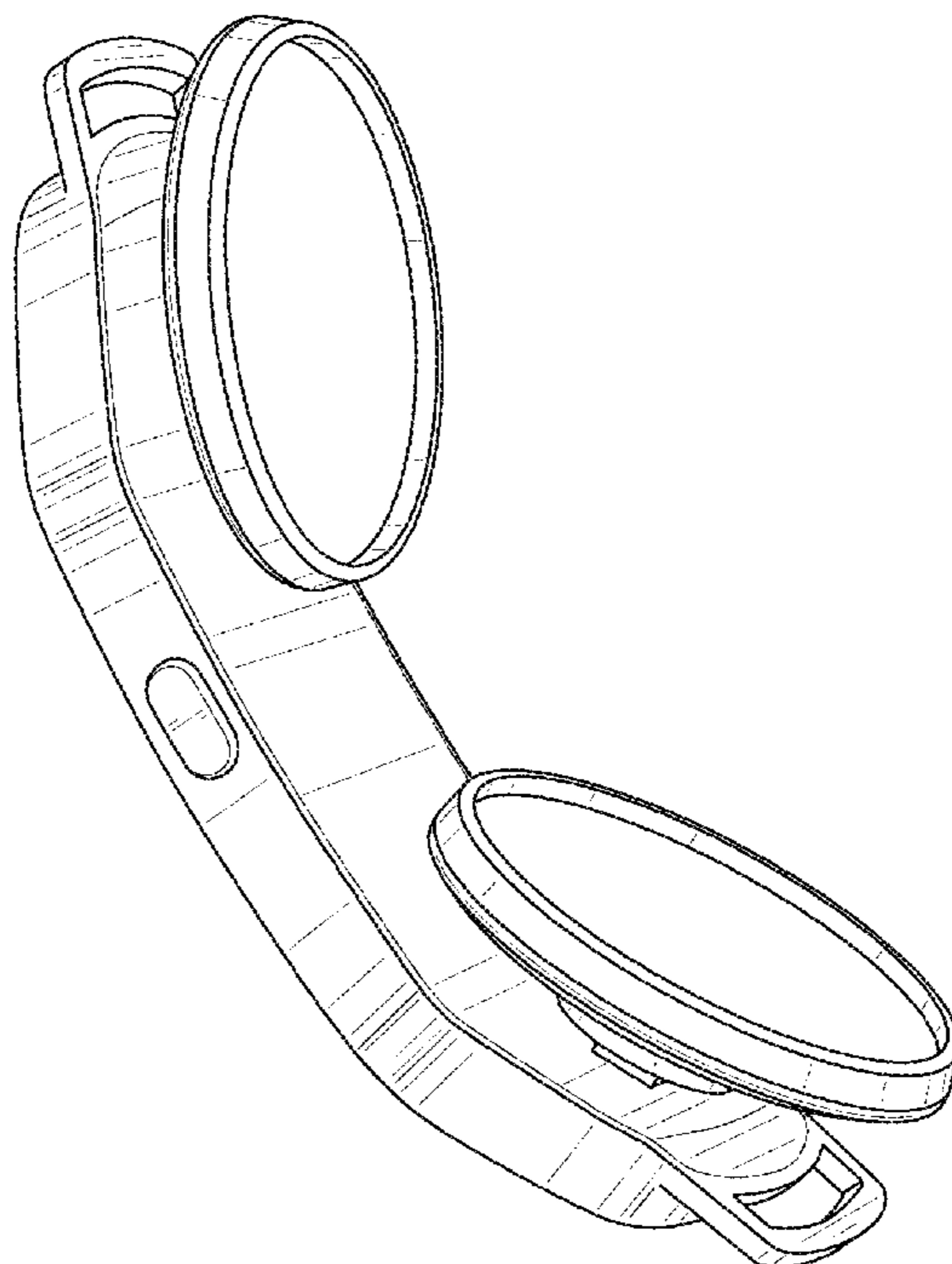
(52) **U.S. Cl.**  
USPC ..... **D24/200**

(58) **Field of Classification Search**  
USPC ..... D24/200, 185–187, 168; D8/354  
CPC .. A61N 1/36; A61N 1/36014; A61N 1/36017;  
A61N 1/36021; A61N 1/36057; A61N  
1/3605; A61N 1/36025; A61N 1/36003;  
A61N 1/04; A61N 1/0404; A61N 1/048;  
A61N 1/0456; A61N 1/0452; A61N  
1/0492; A61N 1/36034; A61N 1/3606

FIG. 1 is a perspective view of an embodiment of the claimed design;  
FIG. 2 is a front view of the claimed design shown in FIG. 1;  
FIG. 3 is a rear view of the claimed design shown in FIG. 1;  
FIG. 4 is a left side view of the claimed design shown in FIG. 1;  
FIG. 5 is a right side view of the claimed design shown in FIG. 1;  
FIG. 6 is a bottom view of the claimed design shown in FIG. 1; and,  
FIG. 7 is a top view of the claimed design shown in FIG. 1.  
The ornamental design that is claimed is shown in the drawings as solid lines and surfaces having surface shading.

See application file for complete search history.

**1 Claim, 7 Drawing Sheets**



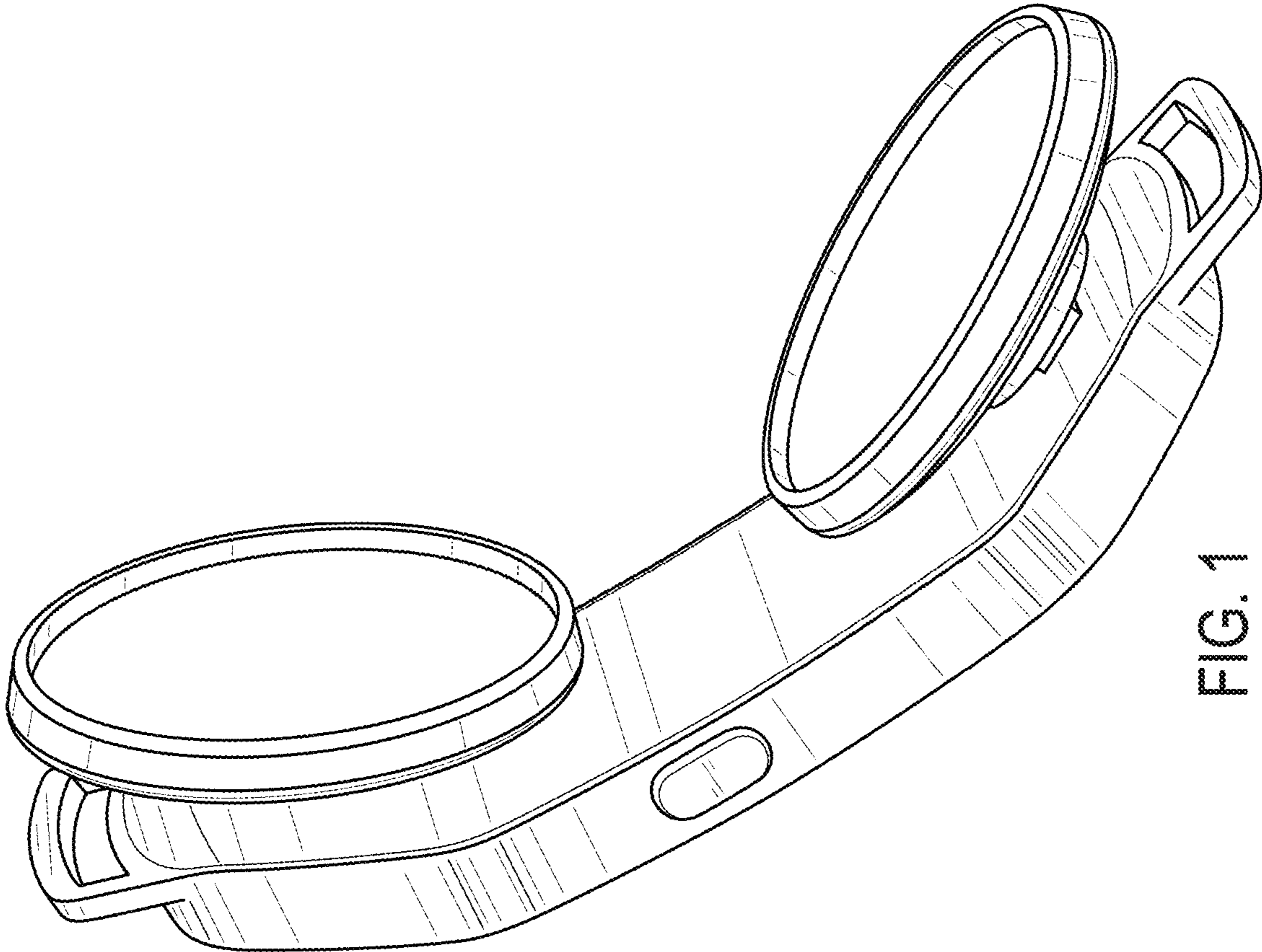


FIG. 1

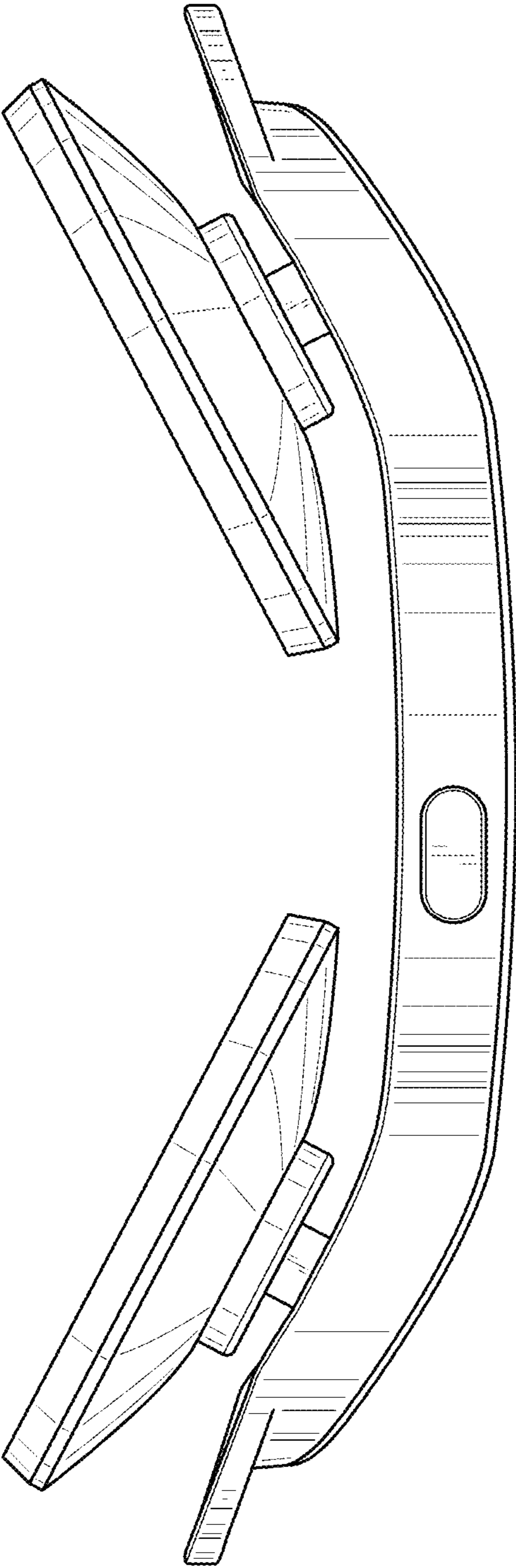


FIG. 2

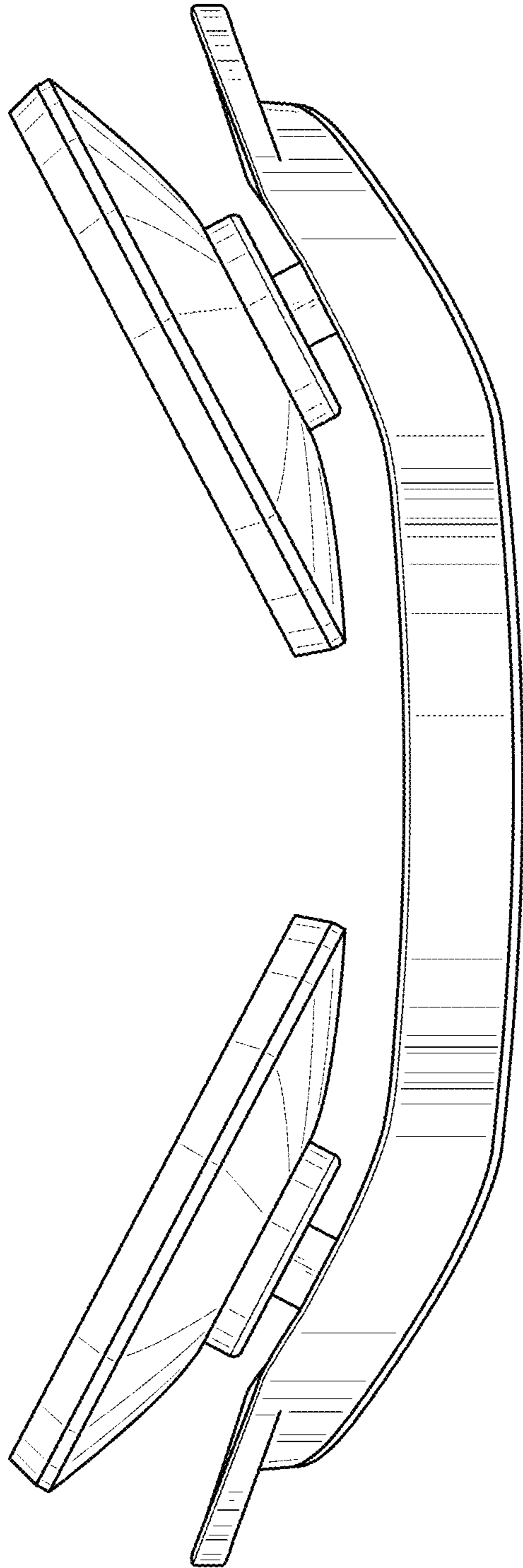


FIG. 3

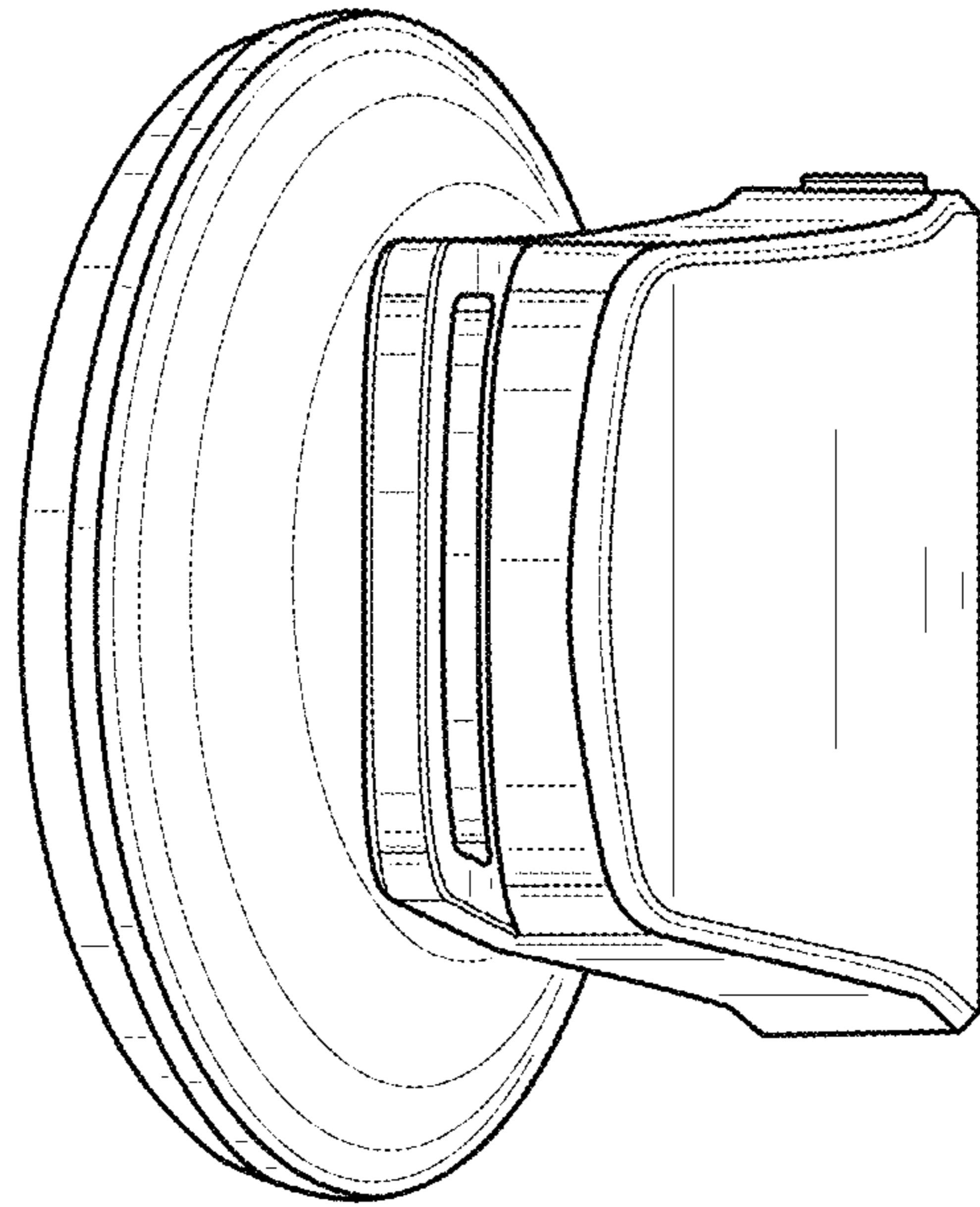


FIG. 4



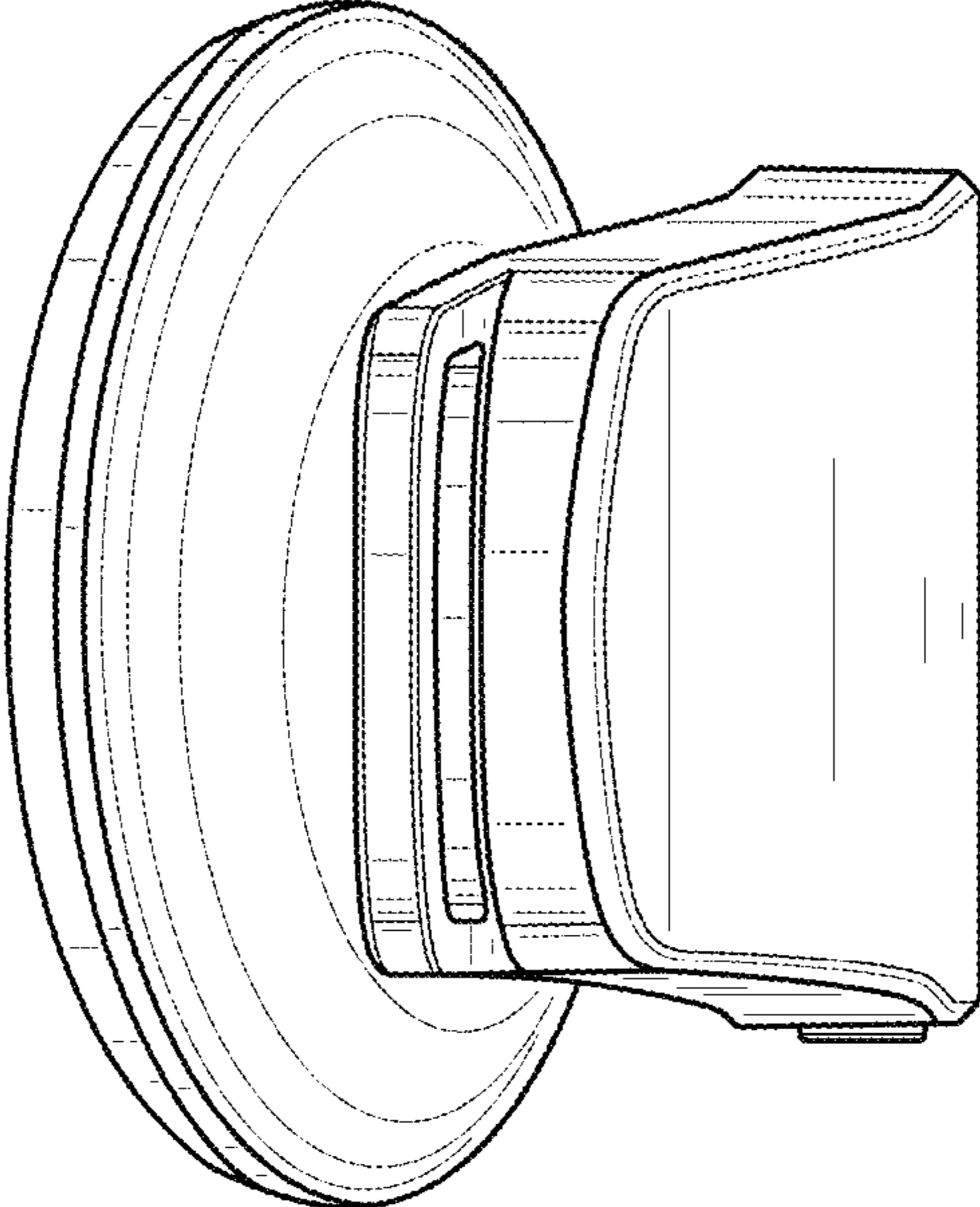


FIG. 5

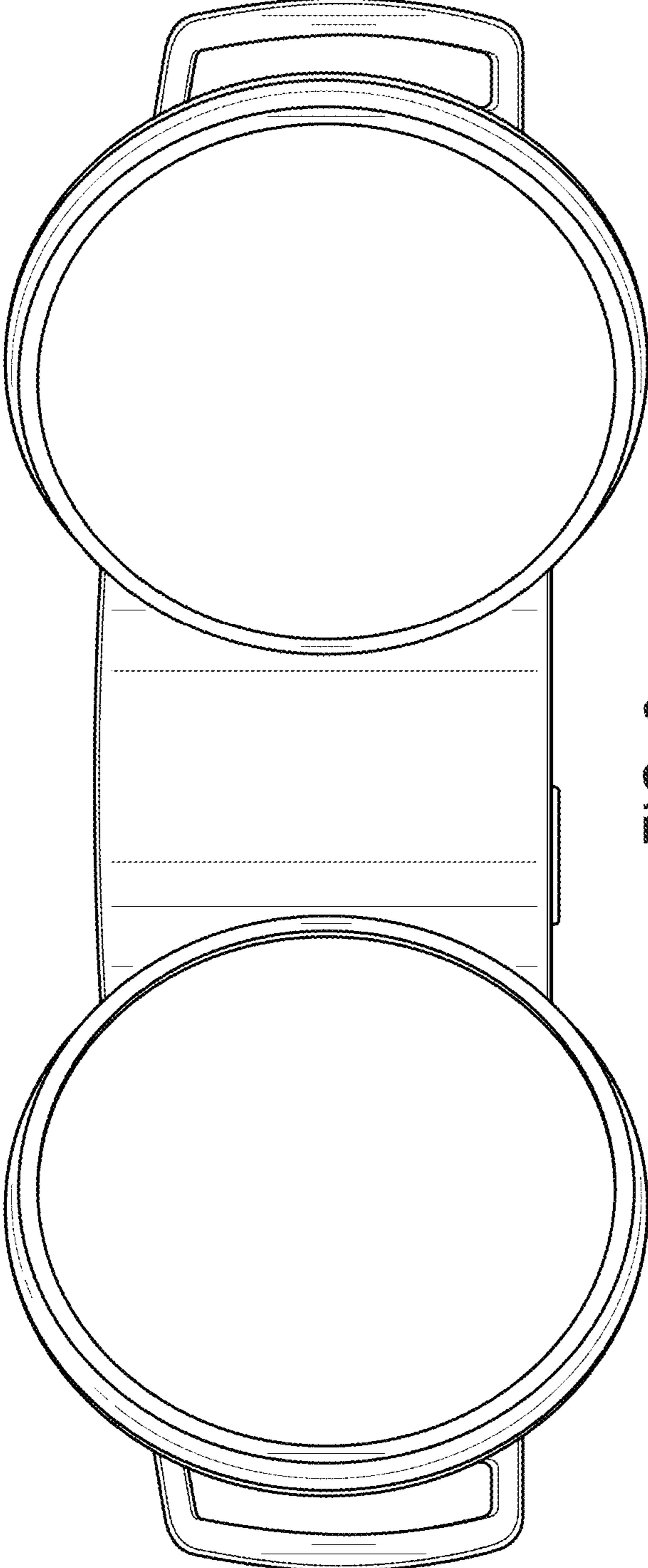


FIG. 6

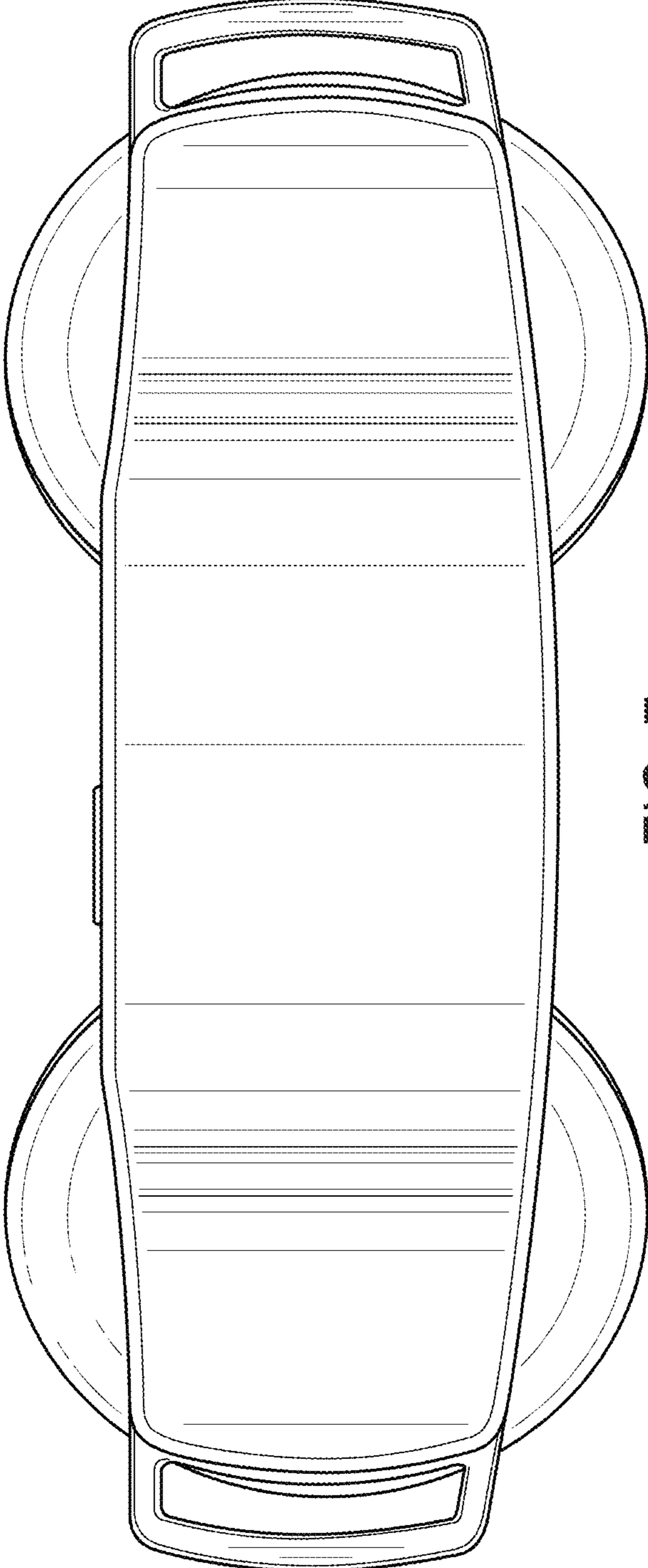


FIG. 7