



US00D974572S

(12) **United States Design Patent**  
**Wang**

(10) **Patent No.:** **US D974,572 S**

(45) **Date of Patent:** **\*\* Jan. 3, 2023**

(54) **TEETHING TOY**

(71) Applicant: **Tongfeng Wang**, Jingzhou (CN)

(72) Inventor: **Tongfeng Wang**, Jingzhou (CN)

(\*\*) Term: **15 Years**

(21) Appl. No.: **29/830,245**

(22) Filed: **Mar. 10, 2022**

(51) **LOC (14) Cl.** ..... **24-04**

(52) **U.S. Cl.**  
USPC ..... **D24/195**

(58) **Field of Classification Search**  
USPC ..... D24/193, 194, 195, 214; D30/160;  
D1/104, 106, 107, 108, 110, 115, 116;  
D4/104, 107; D29/113, 118, 123  
CPC ..... A61J 17/02; A61J 9/005; A46B 5/023;  
A46B 15/0097

See application file for complete search history.

(56) **References Cited**

**U.S. PATENT DOCUMENTS**

- 3,736,696 A \* 6/1973 Laird ..... A63H 33/04  
446/97
- D420,447 S \* 2/2000 Rohrig ..... D24/194
- 6,062,939 A \* 5/2000 Parker ..... A63H 33/3072  
446/145
- 6,116,191 A \* 9/2000 Suchowski ..... A01K 15/026  
119/710
- D453,401 S \* 2/2002 Kaplan ..... D21/406
- D466,957 S \* 12/2002 Visnick ..... D21/532
- D673,284 S \* 12/2012 Lowsky ..... D24/214
- D721,439 S 1/2015 Swartz
- D746,018 S \* 12/2015 Axelrod ..... D1/199
- D755,983 S 5/2016 Huang
- D870,826 S \* 12/2019 Jiajia ..... D24/195
- D874,664 S \* 2/2020 Lowsky ..... D24/194

- 2003/0236556 A1\* 12/2003 Dickerson ..... A61J 17/02  
606/235
- 2006/0102099 A1\* 5/2006 Edwards ..... A01K 15/026  
119/710
- 2014/0243895 A1\* 8/2014 Kellogg ..... A61J 17/02  
606/235

**OTHER PUBLICATIONS**

- “Wujun: Teething Tools Set”. Found online Jul. 7, 2022 at amazon.co.uk. Reference dated Feb. 22, 2022. Retrieved from <https://www.amazon.co.uk/dp/B09TVM9M92/>.\*
- “Jiawu: Teething Tools Set”. Found online Jul. 7, 2022 at amazon.com. Reference dated Mar. 3, 2022. Retrieved from <https://www.amazon.ca/dp/B09TV3RSJY/>.\*
- “Soobe: Teething Tools Set”. Found online Jul. 7, 2022 at amazon.ca. Reference dated Mar. 4, 2022. Retrieved from <https://www.amazon.ca/dp/B09TWD9M9J6/>.\*
- “Dogzilla: Tough Tool Dog Toy”. Found online May 11, 2021 at chewy.com. Reference dated Nov. 25, 2015. Retrieved from <https://www.chewy.com/dogzilla-tough-tool-dog-toy-tool/dp/119850>.\*

\* cited by examiner

*Primary Examiner* — Kendra Leslie Hamilton

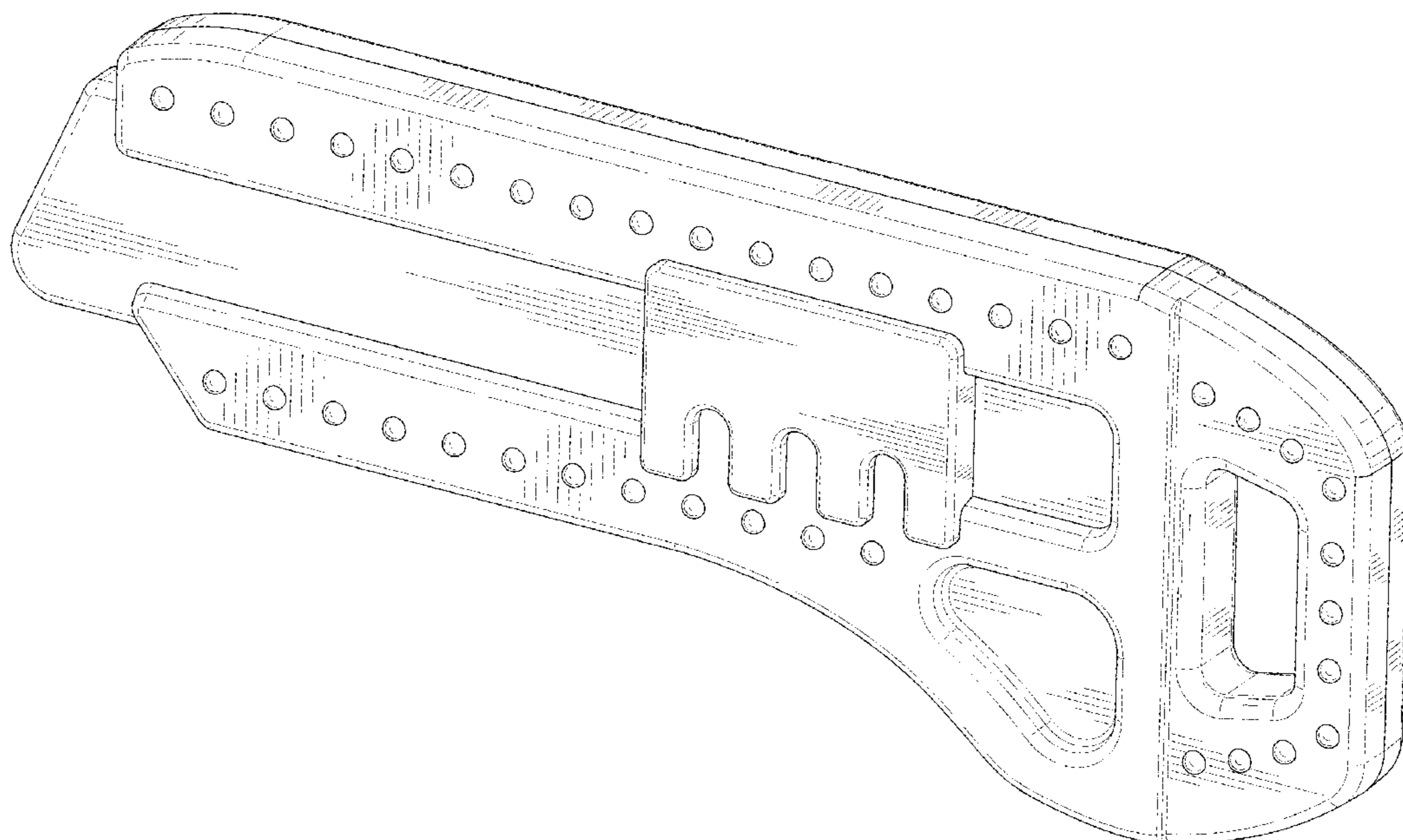
(57) **CLAIM**

The ornamental design for a teething toy, as shown and described.

**DESCRIPTION**

FIG. 1 is a perspective view of a teething toy showing my new design;  
 FIG. 2 is another perspective view thereof;  
 FIG. 3 is a front elevational view thereof;  
 FIG. 4 is a rear elevational view thereof;  
 FIG. 5 is a left side elevational view thereof;  
 FIG. 6 is a right side elevational view thereof;  
 FIG. 7 is a top plan view thereof; and,  
 FIG. 8 is a bottom plan view thereof.

**1 Claim, 8 Drawing Sheets**



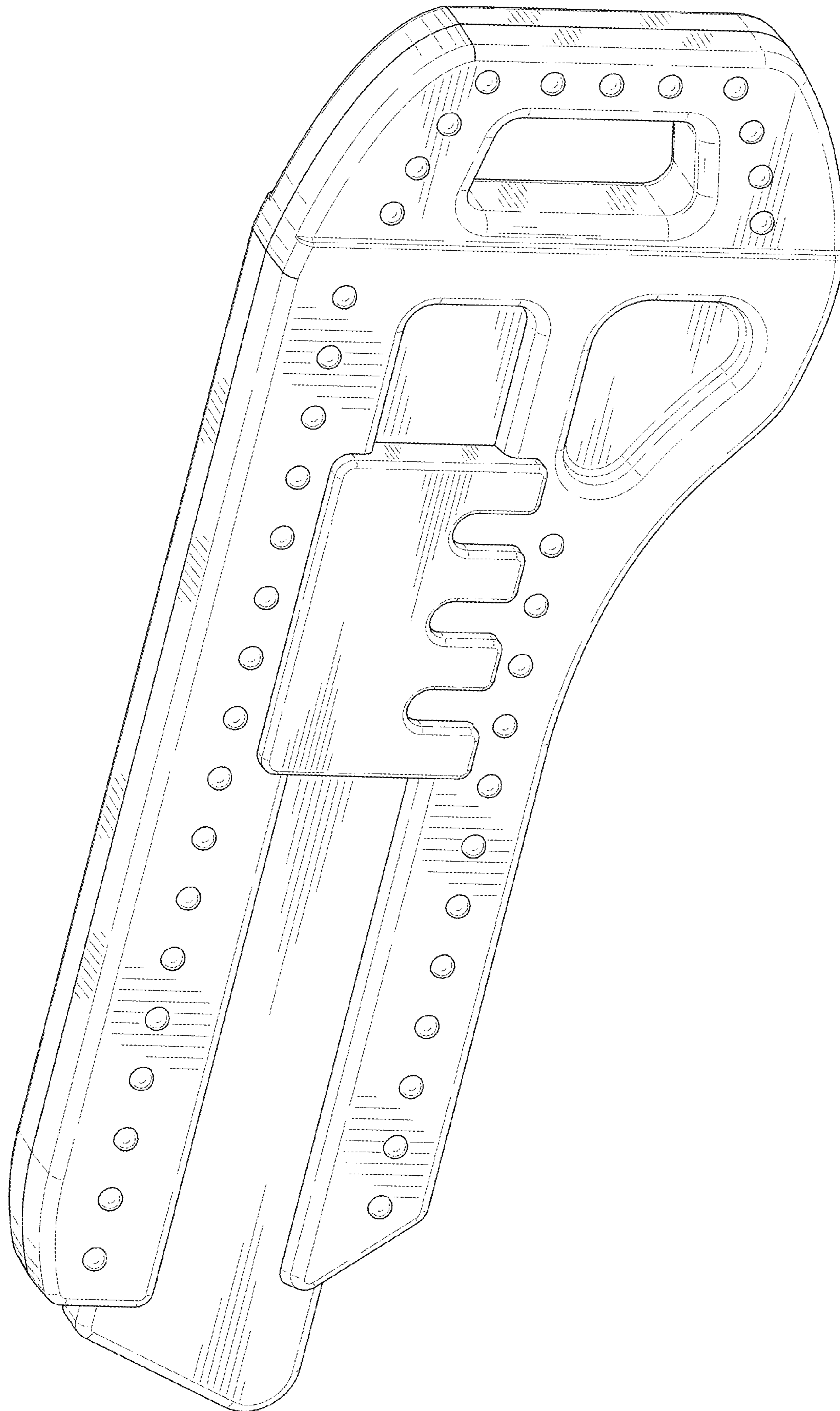


FIG. 1

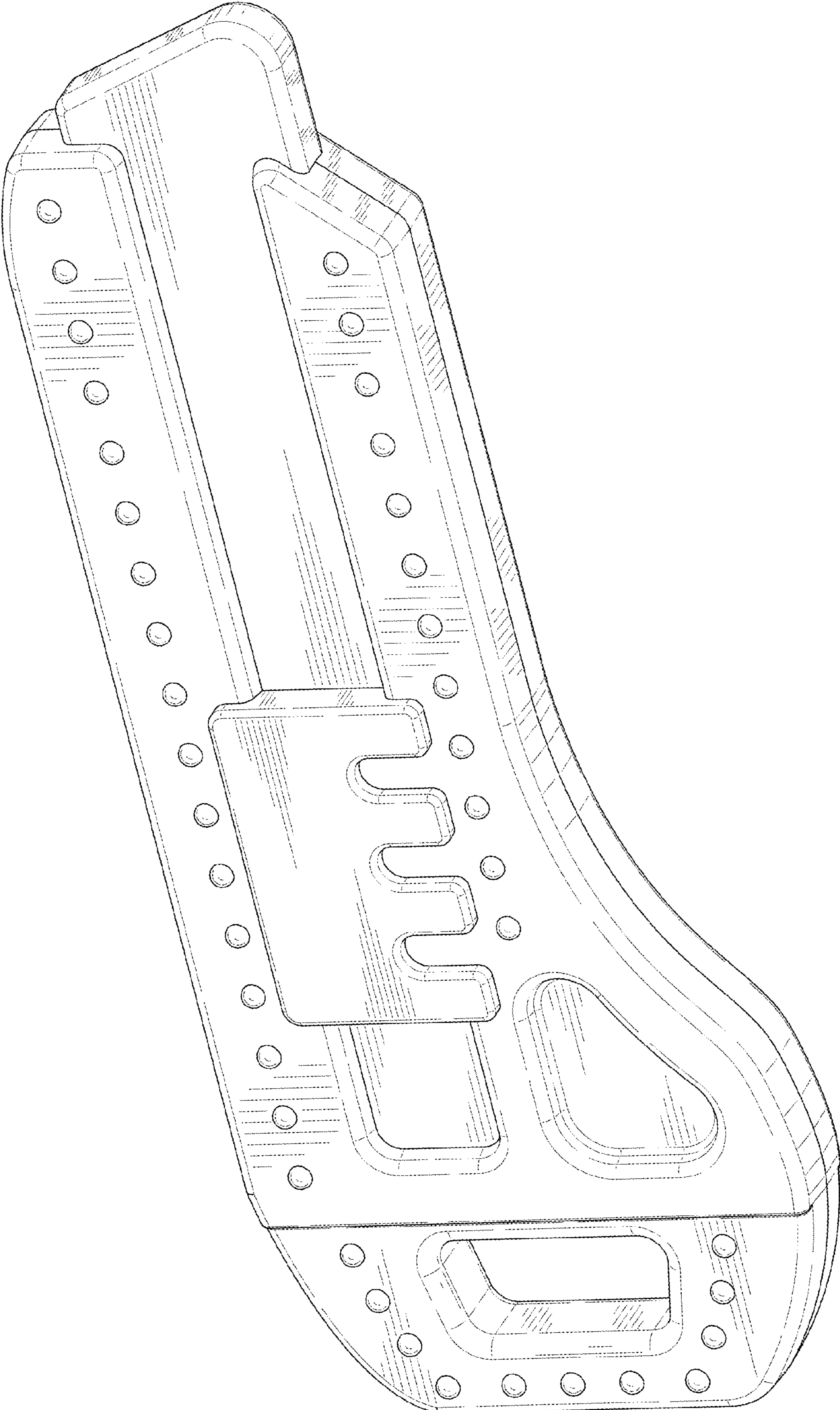


FIG. 2

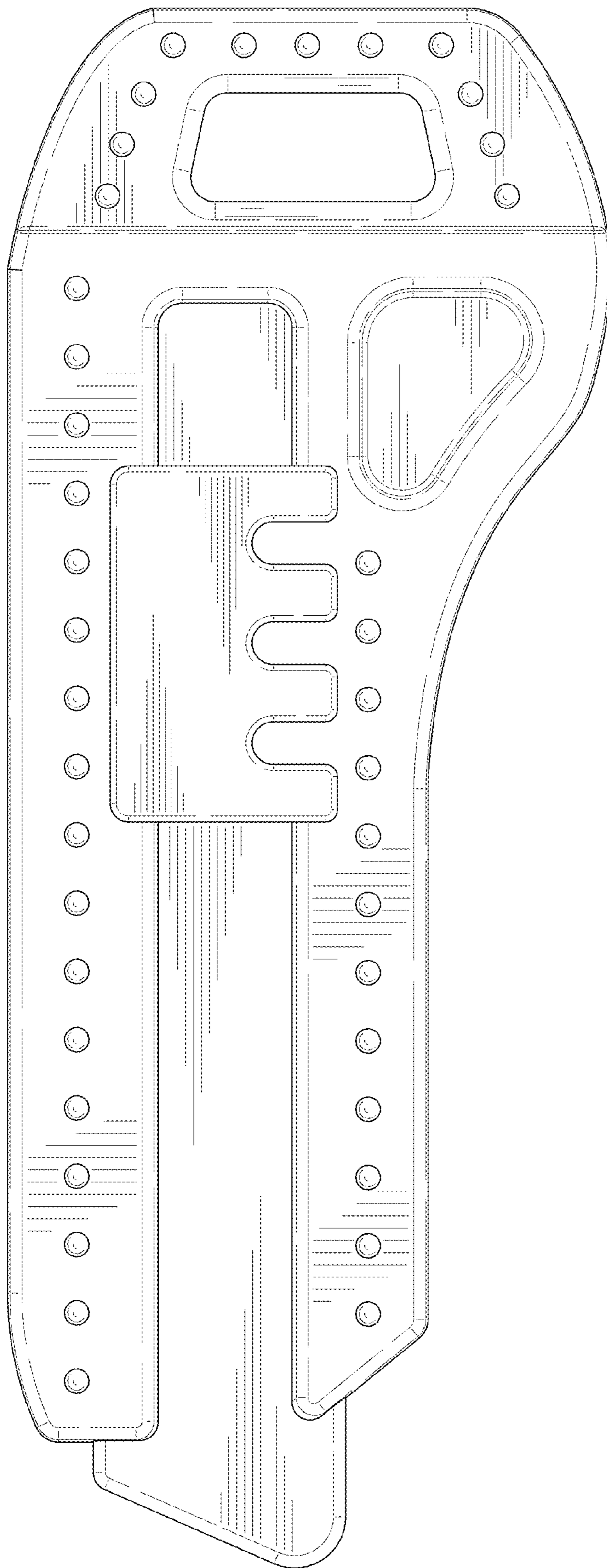


FIG. 3

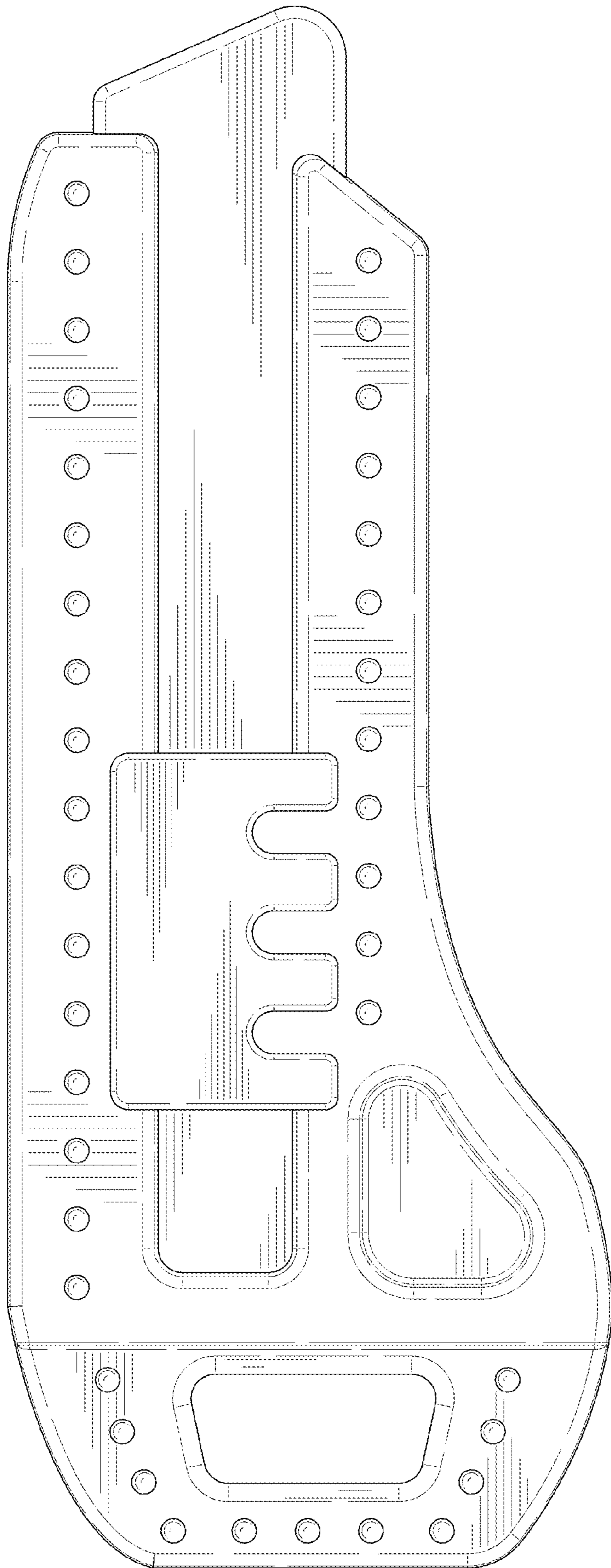


FIG. 4

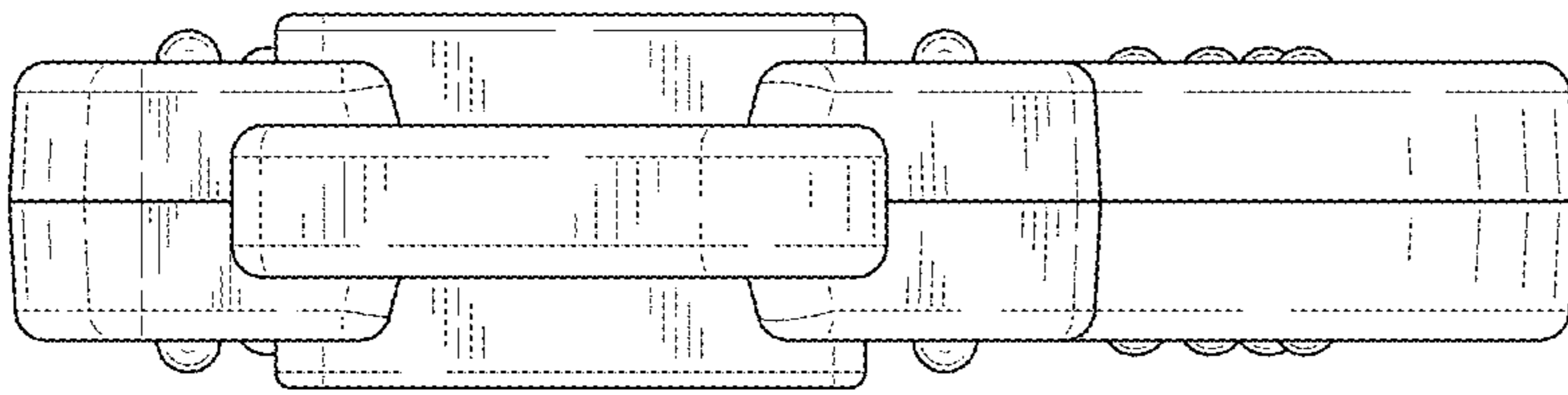


FIG. 5

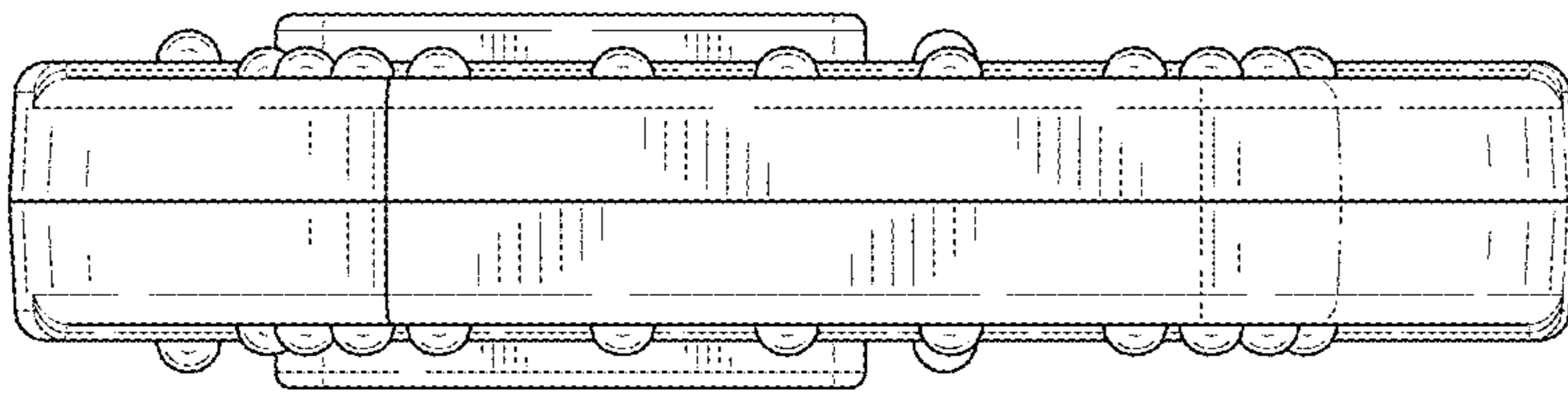


FIG. 6

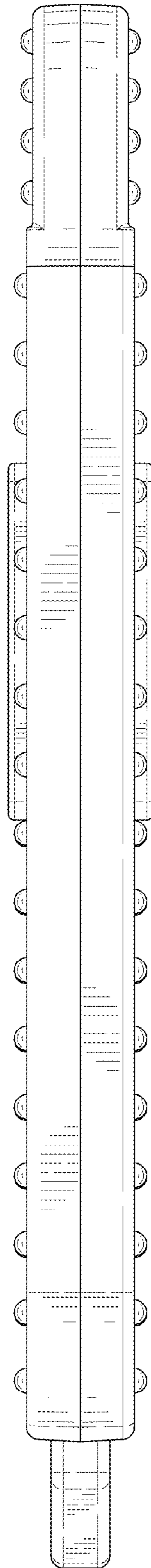


FIG. 7



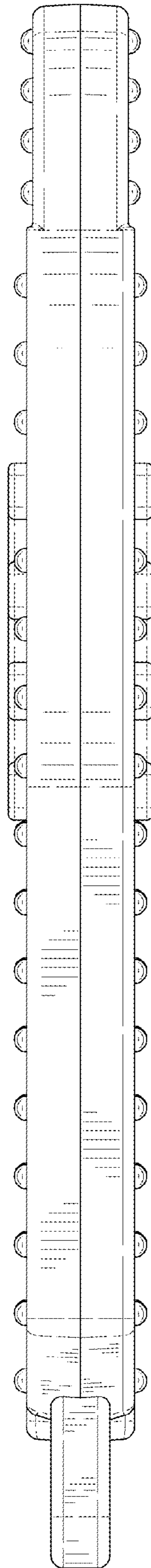


FIG. 8