



US00D974570S

(12) **United States Design Patent** (10) **Patent No.:** **US D974,570 S**
Seo et al. (45) **Date of Patent:** **** Jan. 3, 2023**

(54) **ELECTRONIC DEVICE HOLDER**
(71) Applicant: **ADDPLUS Co., Ltd**, Daegu (KR)
(72) Inventors: **Sang Wan Seo**, Gyeongsan-si (KR); **Ji Hyun Kim**, Daegu (KR)
(73) Assignee: **ADDPLUS Co., Ltd**, Daegu (KR)
(**) Term: **15 Years**

D857,378 S * 8/2019 Cadogan D3/218
D887,402 S * 6/2020 Chun D14/253
D896,805 S * 9/2020 Stagge D14/253
D907,776 S * 1/2021 Hwang D24/167
D919,100 S * 5/2021 Al-Ali D24/186
D928,962 S * 8/2021 Sunada D24/164
D932,480 S * 10/2021 Tsai D14/250
D932,482 S * 10/2021 Del Toro D14/253
D935,909 S * 11/2021 Yu D10/57
2018/0094983 A1 * 4/2018 Tierney G01J 5/025
2021/0364357 A1 * 11/2021 Seo G01J 5/0265

* cited by examiner

(21) Appl. No.: **29/758,377**
(22) Filed: **Nov. 14, 2020**

Primary Examiner — Anhdao Doan
(74) *Attorney, Agent, or Firm* — Invenstone Patent, LLC

(30) **Foreign Application Priority Data**
May 20, 2020 (KR) 30-2020-0022040

(57) **CLAIM**

The ornamental design for an electronic device holder, as shown and described.

(51) **LOC (14) Cl.** **24-02**
(52) **U.S. Cl.**
USPC **D24/186**

DESCRIPTION

(58) **Field of Classification Search**
USPC D24/107, 164–169, 185–187; D10/98, D10/70, 75, 52, 57; D14/344, 253, 248, D14/250, 358, 345, 427, 435.1, 447, 451, D14/480.1, 480.5; D3/218
CPC .. G01J 5/0265; G01J 5/049; G01J 5/08; G01J 5/0818; G01J 5/0893; G01J 5/12; G01J 5/16; G01J 2005/068; A61B 5/0008; A61B 5/01; A61B 5/6833; G01K 13/20; G01K 13/223; G01K 13/25; G01K 1/08; G01K 1/14
See application file for complete search history.

FIG. 1 is a perspective view of an electronic device holder showing the claimed design;
FIG. 2 is a front view thereof;
FIG. 3 is a rear view thereof;
FIG. 4 is a left side view thereof;
FIG. 5 is a right side view thereof;
FIG. 6 is a top view thereof;
FIG. 7 is a bottom view thereof; and,
FIG. 8 is a view illustrating a state in which the claimed design is connected to a portable terminal.
In FIG. 3, the broken lines illustrate portions of the portable electronic device that form no part of the claimed design.
In FIG. 8, the broken lines depicting a portable terminal represent environmental subject matter and form no part of the claimed design.

(56) **References Cited**
U.S. PATENT DOCUMENTS

D670,179 S * 11/2012 Yarden D10/57
D854,311 S * 7/2019 Burns D3/218

1 Claim, 8 Drawing Sheets

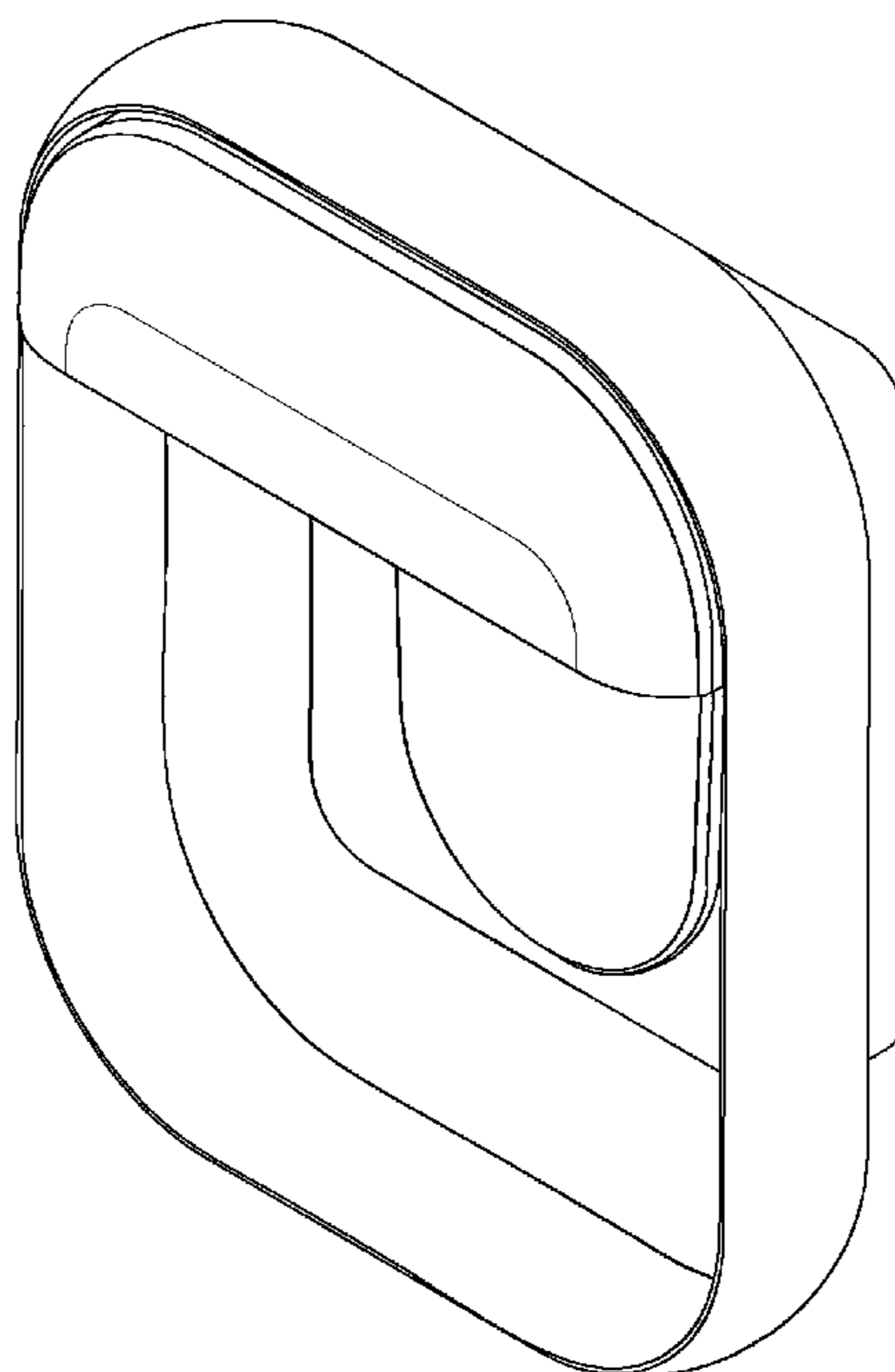


FIG. 1

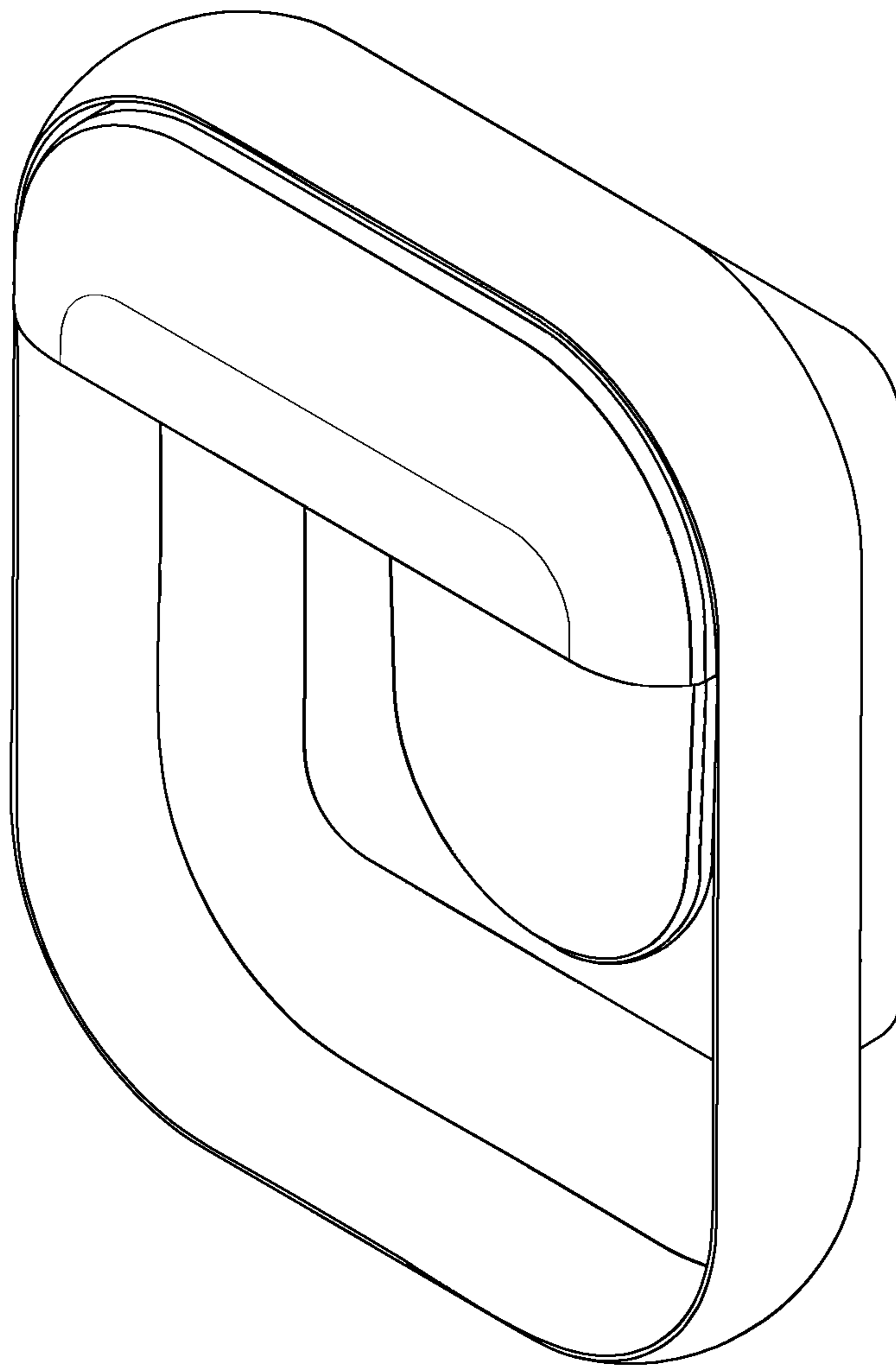


FIG. 2

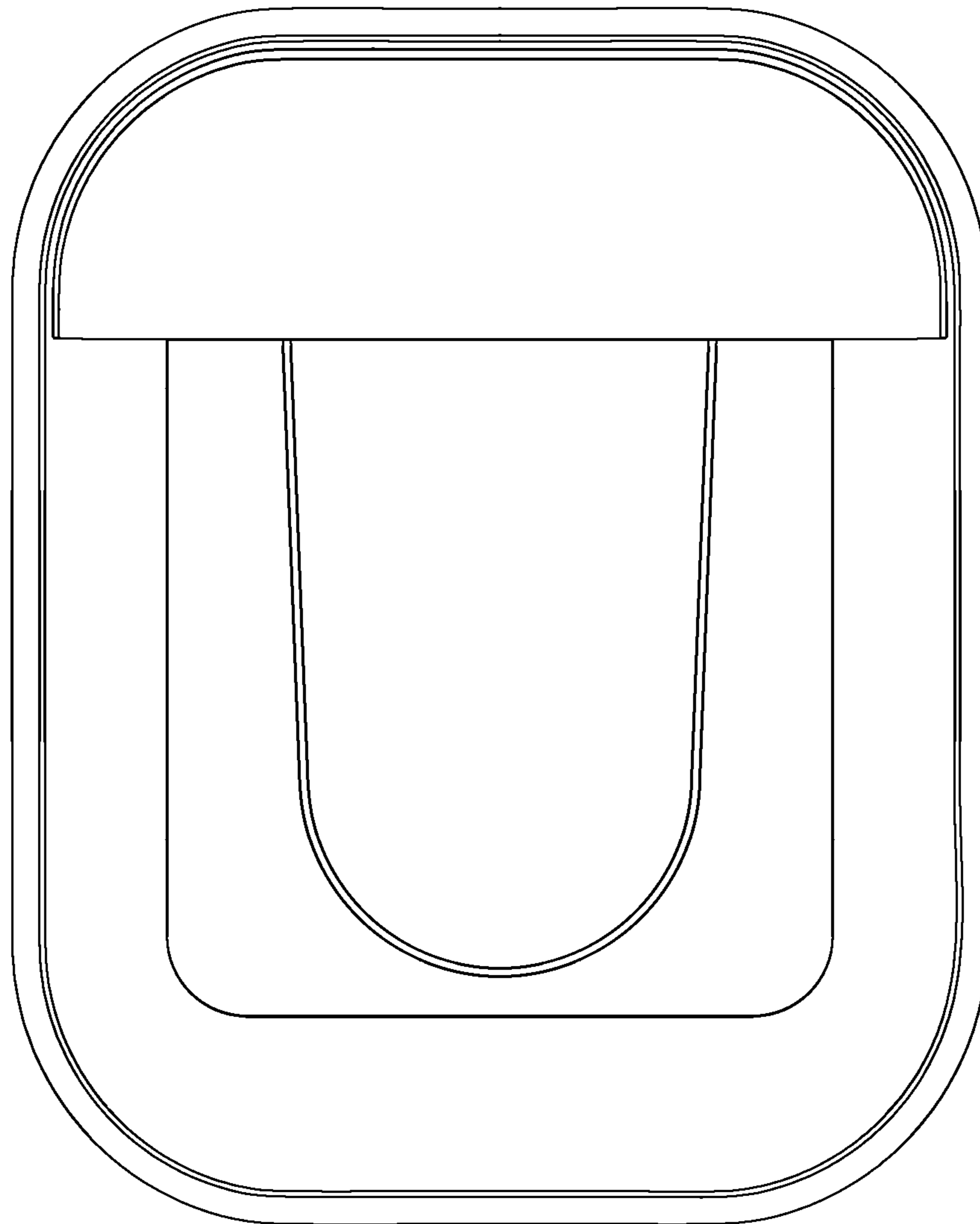


FIG. 3

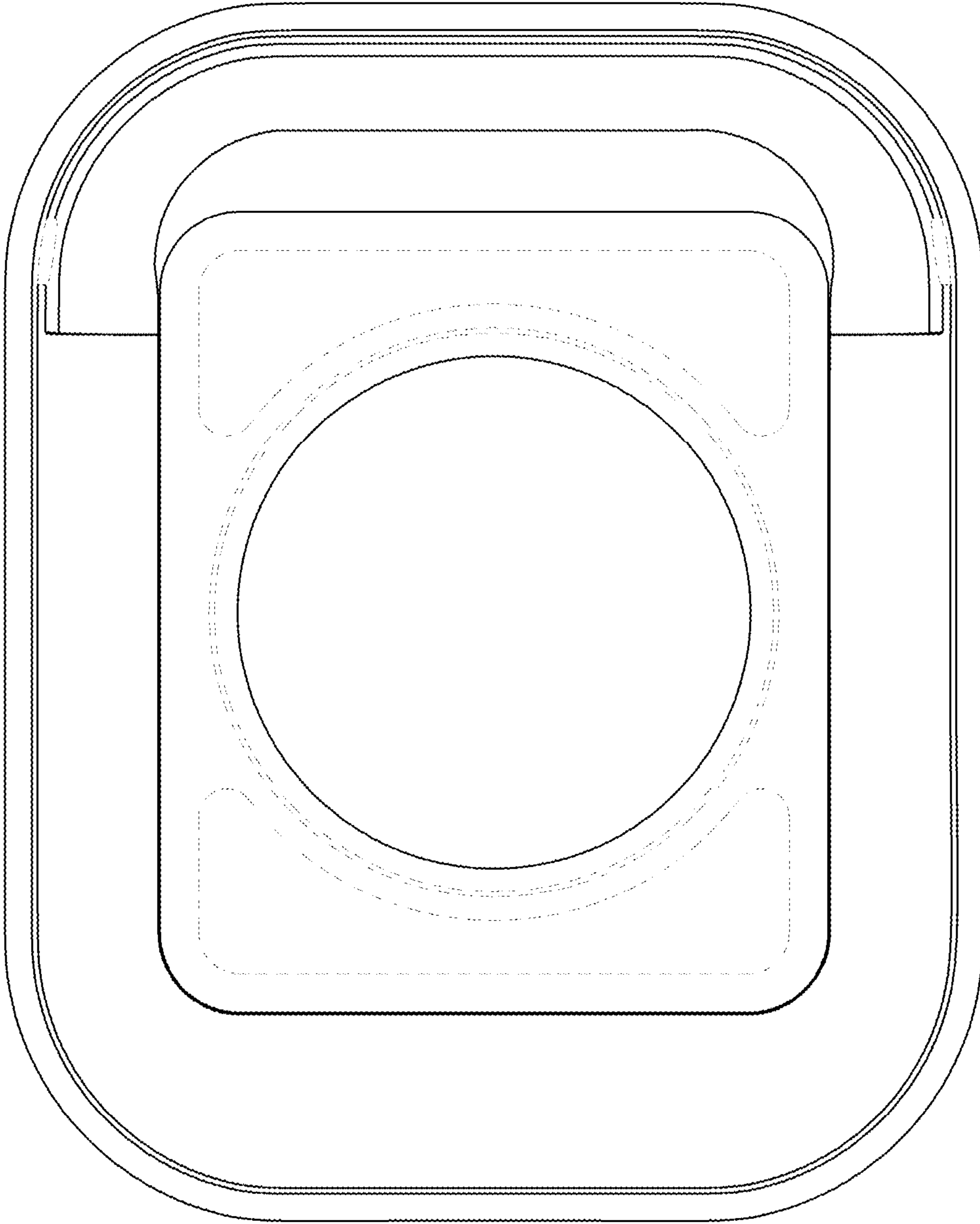


FIG. 4

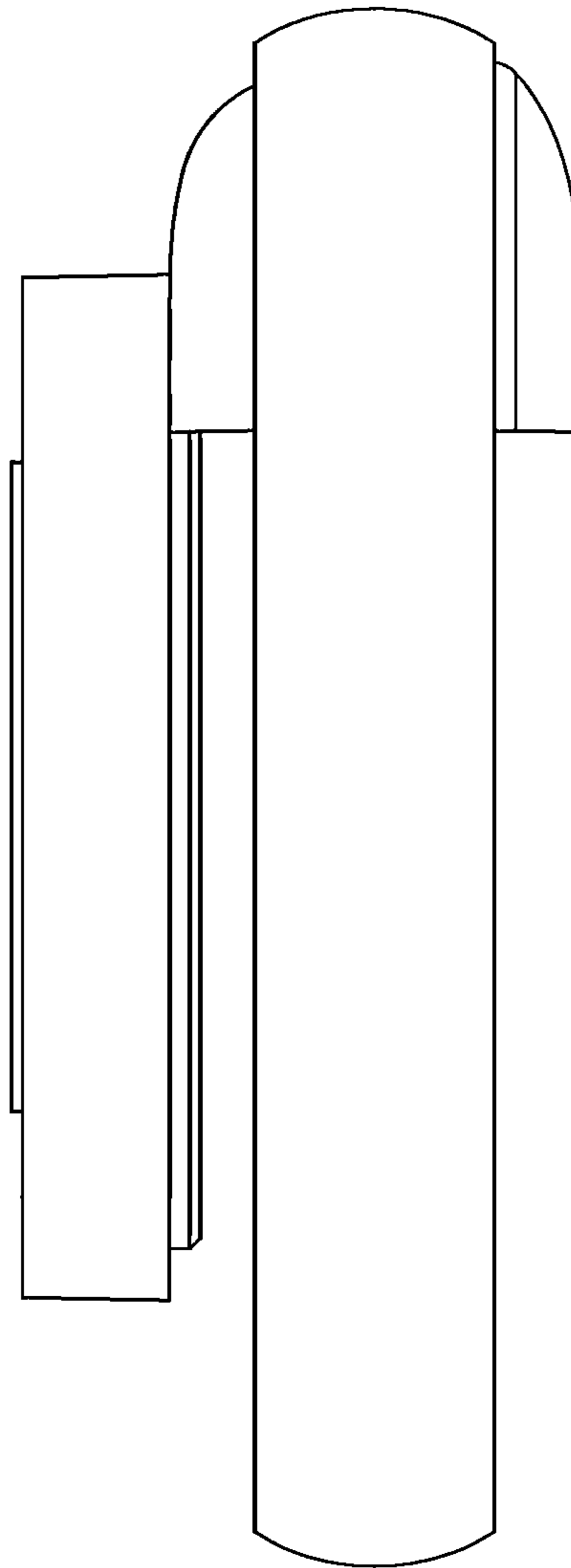


FIG. 5

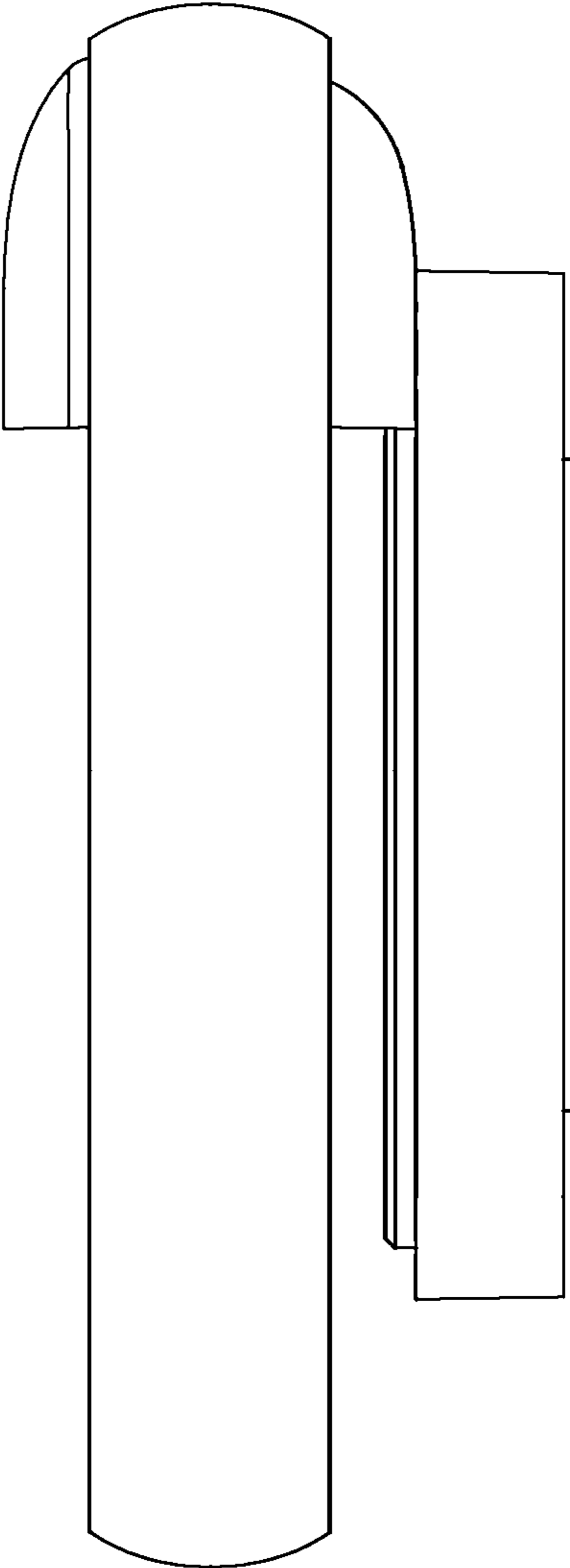


FIG. 6

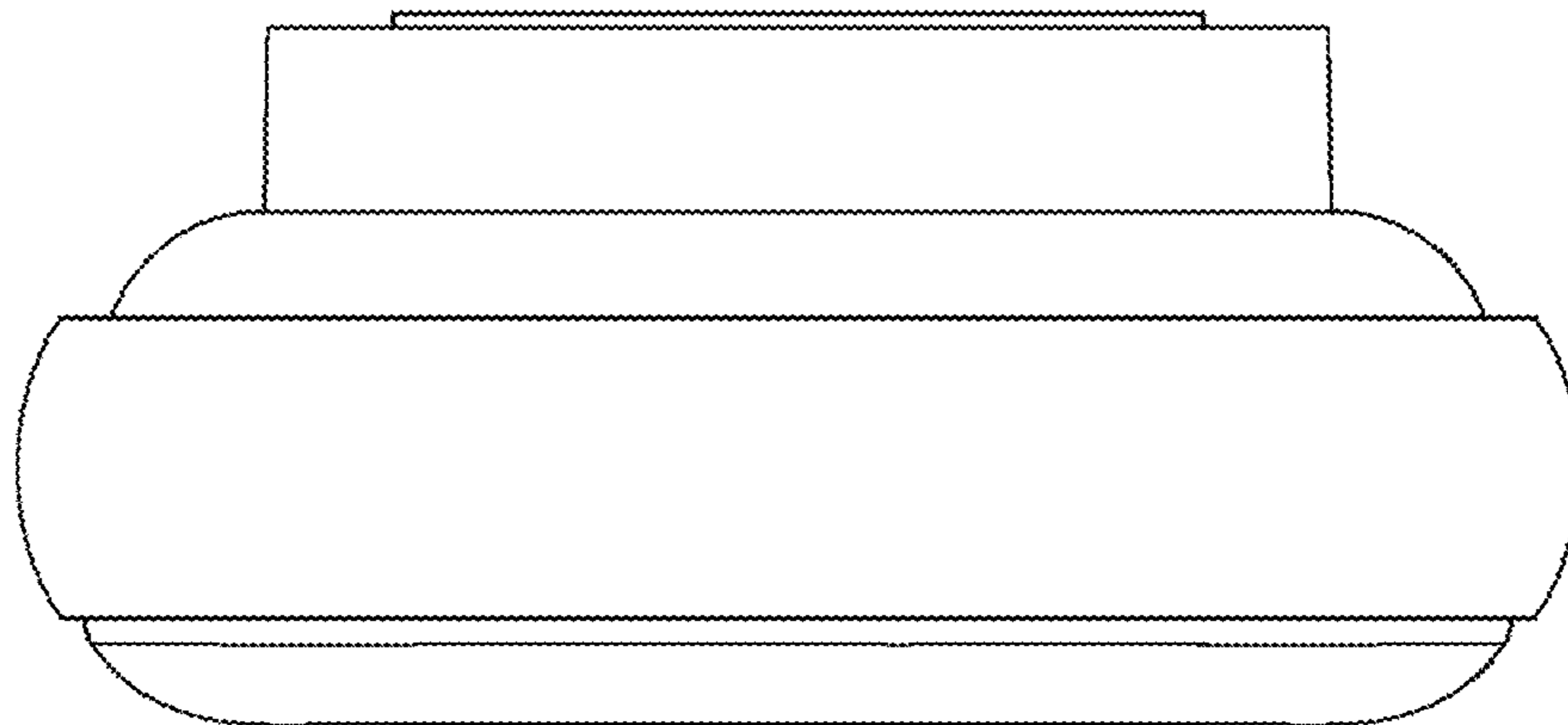


FIG. 7

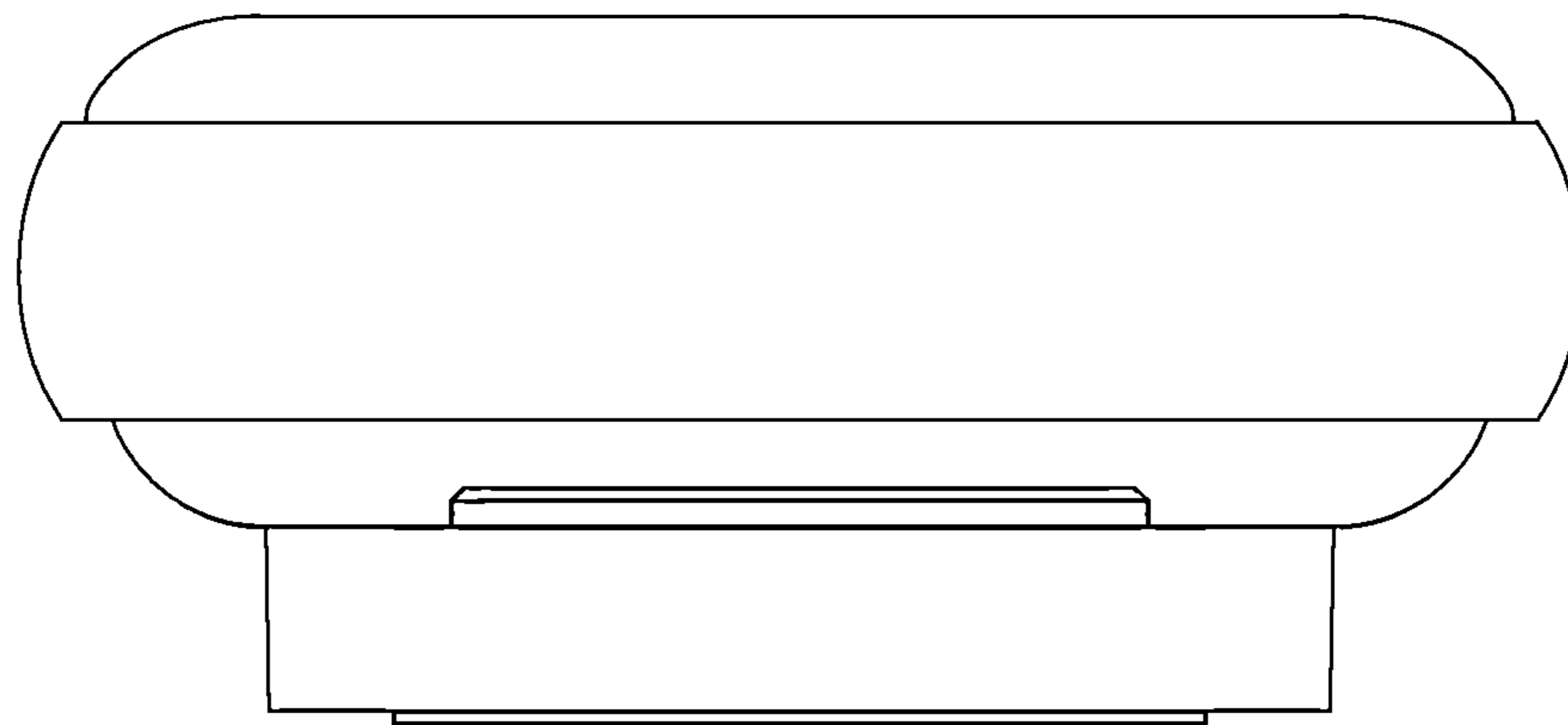


FIG. 8

