



US00D974569S

(12) **United States Design Patent** (10) **Patent No.:** **US D974,569 S**  
**Smith et al.** (45) **Date of Patent:** **\*\* Jan. 3, 2023**

(54) **EAR CLIP** 5,459,290 A \* 10/1995 Yamagishi ..... H04R 1/1075  
381/381  
(71) Applicant: **Socrates Health Solutions, Inc.**, Dallas, TX (US) D578,222 S 10/2008 Sakurai et al.  
D599,329 S 9/2009 Champkins  
D623,306 S 9/2010 Boyer  
D636,879 S 4/2011 Dubs  
(72) Inventors: **Scott J. Smith**, Dallas, TX (US); D664,115 S \* 7/2012 Allard ..... D14/205  
**Douglas F. Sutherland**, Luxembourg A61F 11/30  
(LU); **Valentin Korman**, Huntsville, D667,813 S \* 9/2012 Hickson ..... D14/205  
AL (US); **Tyde Meadows**, Hartselle, AL (US)  
D670,396 S 11/2012 Doogan  
D717,443 S 11/2014 Hughes et al.  
D736,741 S \* 8/2015 Katz ..... D14/205  
D760,190 S \* 6/2016 Sova, Jr. .... D14/205  
D762,858 S 8/2016 Iwabuchi  
D802,152 S 11/2017 Wakefield et al.

(\*\*) Term: **15 Years**

(21) Appl. No.: **29/756,853**

(22) Filed: **Oct. 30, 2020**

**Related U.S. Application Data**

(63) Continuation of application No. 29/693,970, filed on Jun. 6, 2019, now Pat. No. Des. 903,878, which is a continuation-in-part of application No. 29/635,205, filed on Jan. 29, 2018, now Pat. No. Des. 855,808.

(51) **LOC (14) Cl.** ..... **24-02**

(52) **U.S. Cl.**  
USPC ..... **D24/186**

(58) **Field of Classification Search**  
USPC ..... D24/173–175, 186, 231; D14/205, 223, D14/224, 225, 226, 249  
CPC ..... A61F 2007/0005; A61F 2007/0056; A61F 2007/0228; A61F 11/008; A61F 11/30; A45D 44/12; H04R 1/1008; H04R 1/105  
See application file for complete search history.

(56) **References Cited**

**U.S. PATENT DOCUMENTS**

D322,070 S \* 12/1991 Kitch ..... D14/205  
D331,928 S \* 12/1992 McDowell ..... D14/223

**FOREIGN PATENT DOCUMENTS**

GB 9005517042-0001 \* 7/2018

*Primary Examiner* — Anhdao Doan  
(74) *Attorney, Agent, or Firm* — Foley & Lardner LLP

(57) **CLAIM**

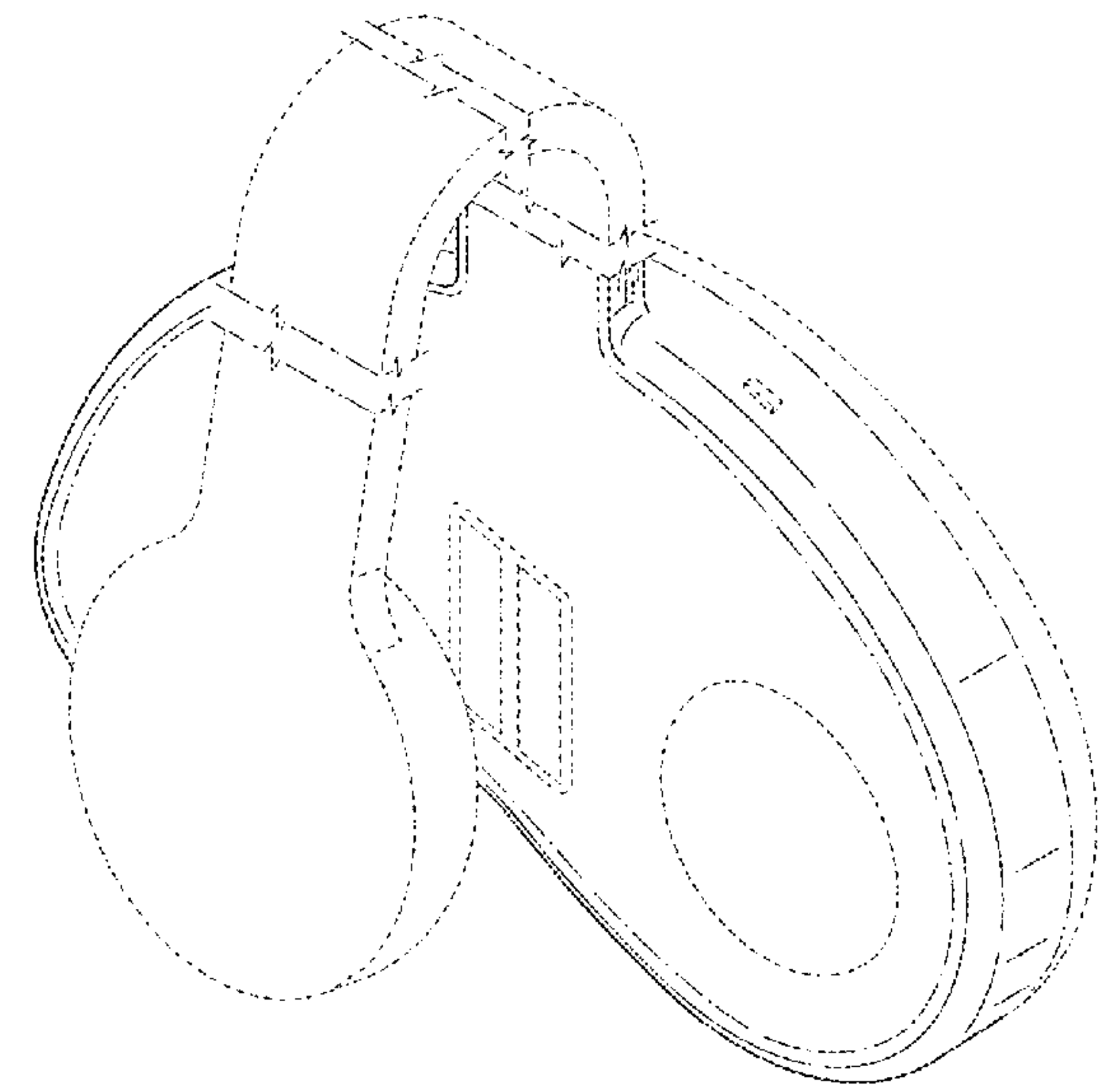
The ornamental design for an ear clip, as shown and described.

**DESCRIPTION**

FIG. 1 is a rear perspective view of an ear clip; FIG. 2 is a rear elevation view of the ear clip; FIG. 3 is a front elevation view of the ear clip; FIG. 4 is left side elevation view of the ear clip; FIG. 5 is right side elevation view of the ear clip; FIG. 6 is a top view of the ear clip; and, FIG. 7 is a bottom view of the ear clip.

The broken lines represent portions of the ear clip that form no part of the claimed design. The dash-dot-dash line represents the boundary of the claimed region. The ear clip is shown with symbolic breaks. The appearance of any portion of the article between the symbolic break lines forms no part of the claimed design.

**1 Claim, 7 Drawing Sheets**



(56)

**References Cited**

U.S. PATENT DOCUMENTS

D809,664	S	2/2018	Ma et al.	
D884,670	S *	5/2020	White .....	D14/205
D923,607	S *	6/2021	Hosoda .....	D14/223
D930,840	S *	9/2021	Misiaszek .....	D24/175
D942,742	S *	2/2022	King .....	D29/102
2007/0260131	A1	11/2007	Chin	
2010/0217103	A1	8/2010	Abdul-Hafiz et al.	
2013/0218025	A1	8/2013	Tverskoy	
2015/0351688	A1	12/2015	Just et al.	
2020/0100938	A1 *	4/2020	King .....	A61F 7/10

\* cited by examiner

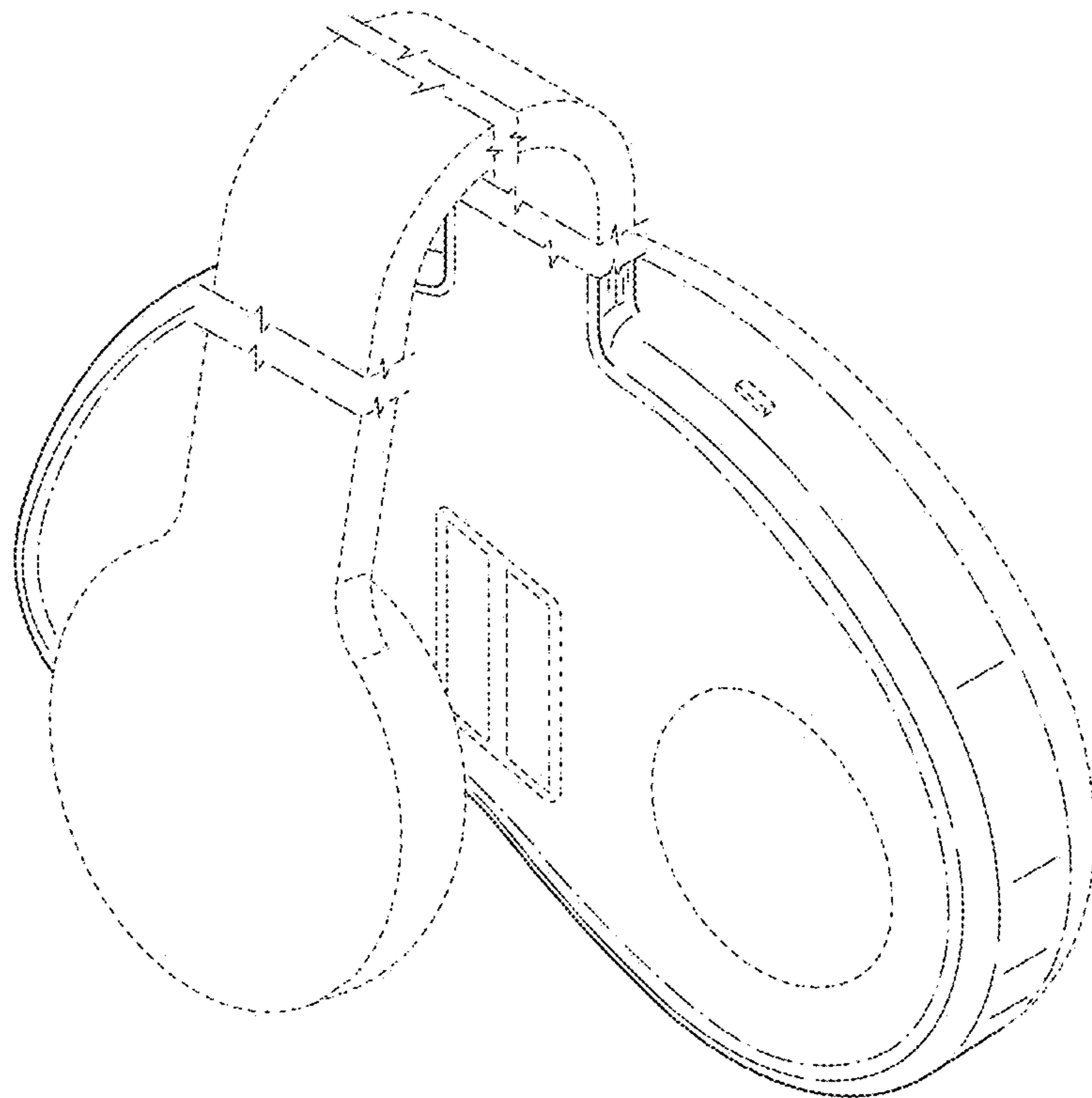


FIG.1

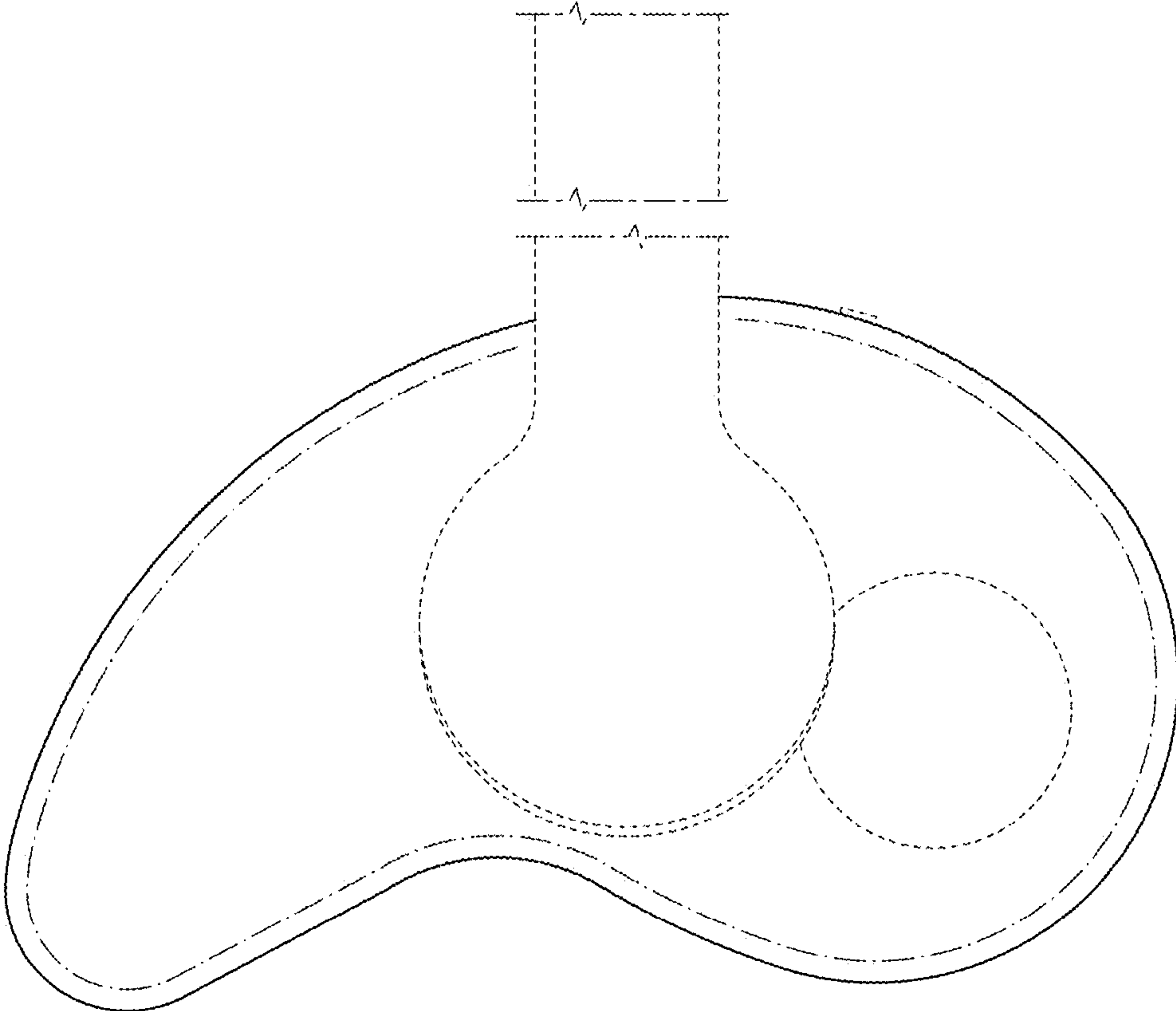


FIG.2

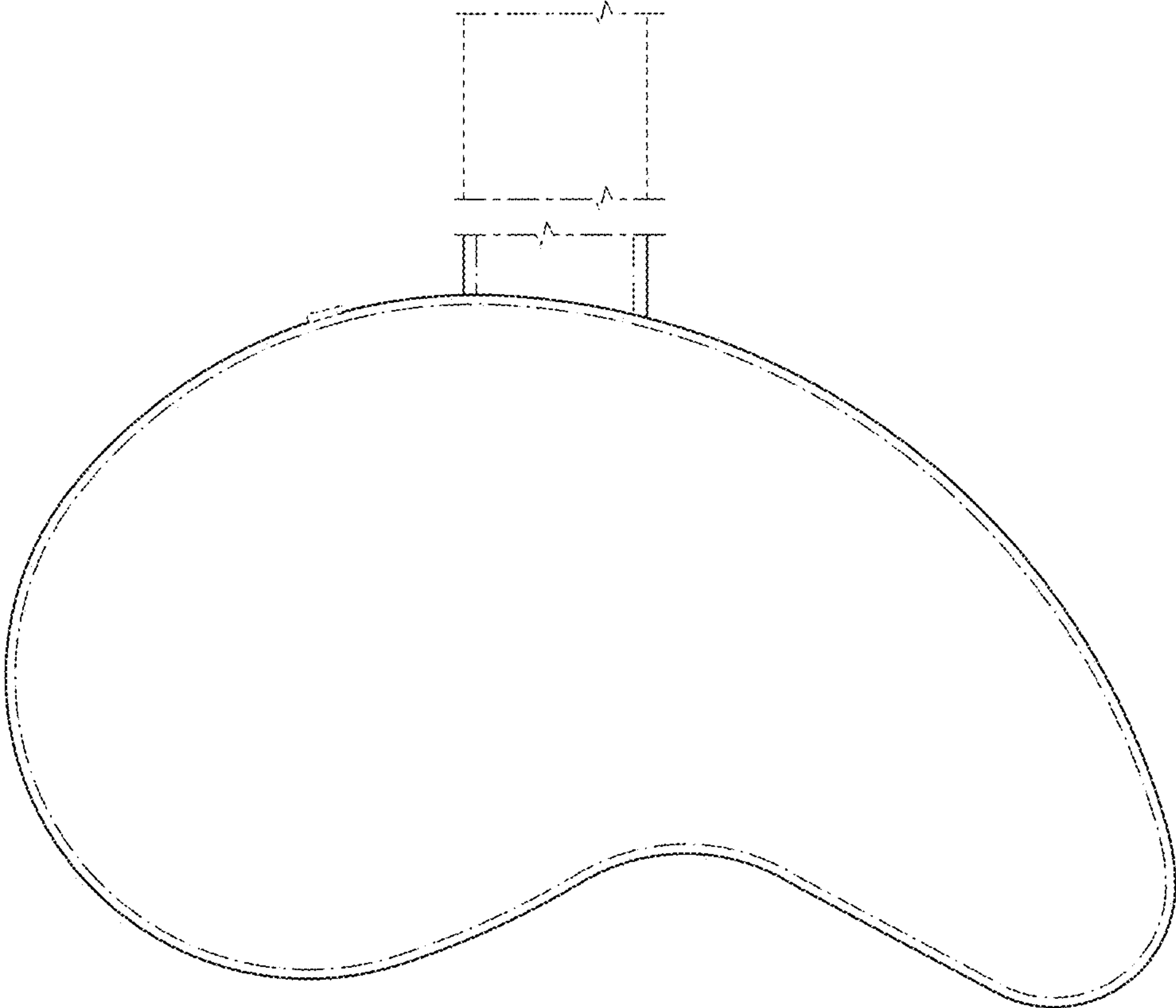


FIG.3

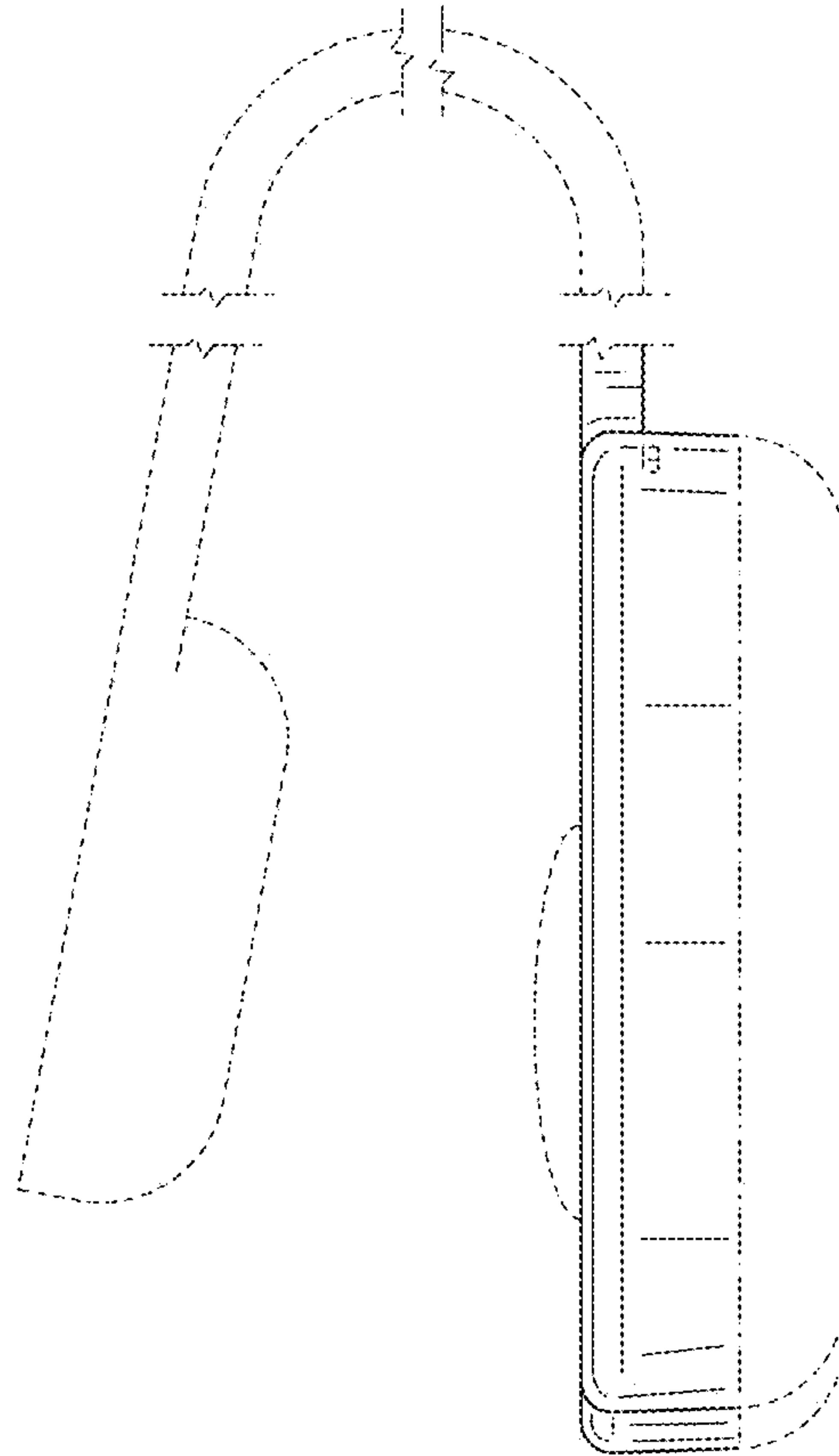


FIG.4

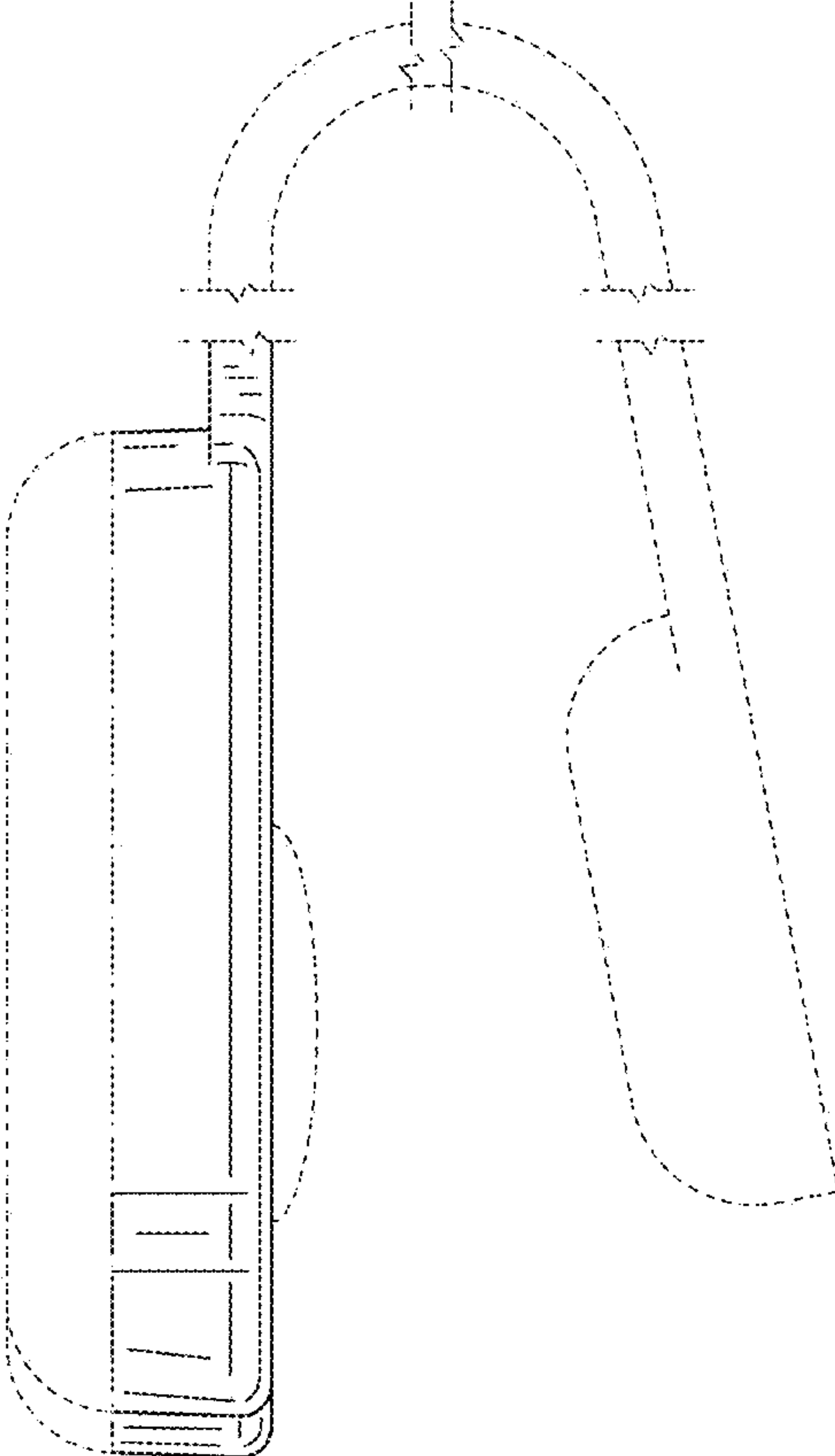


FIG.5

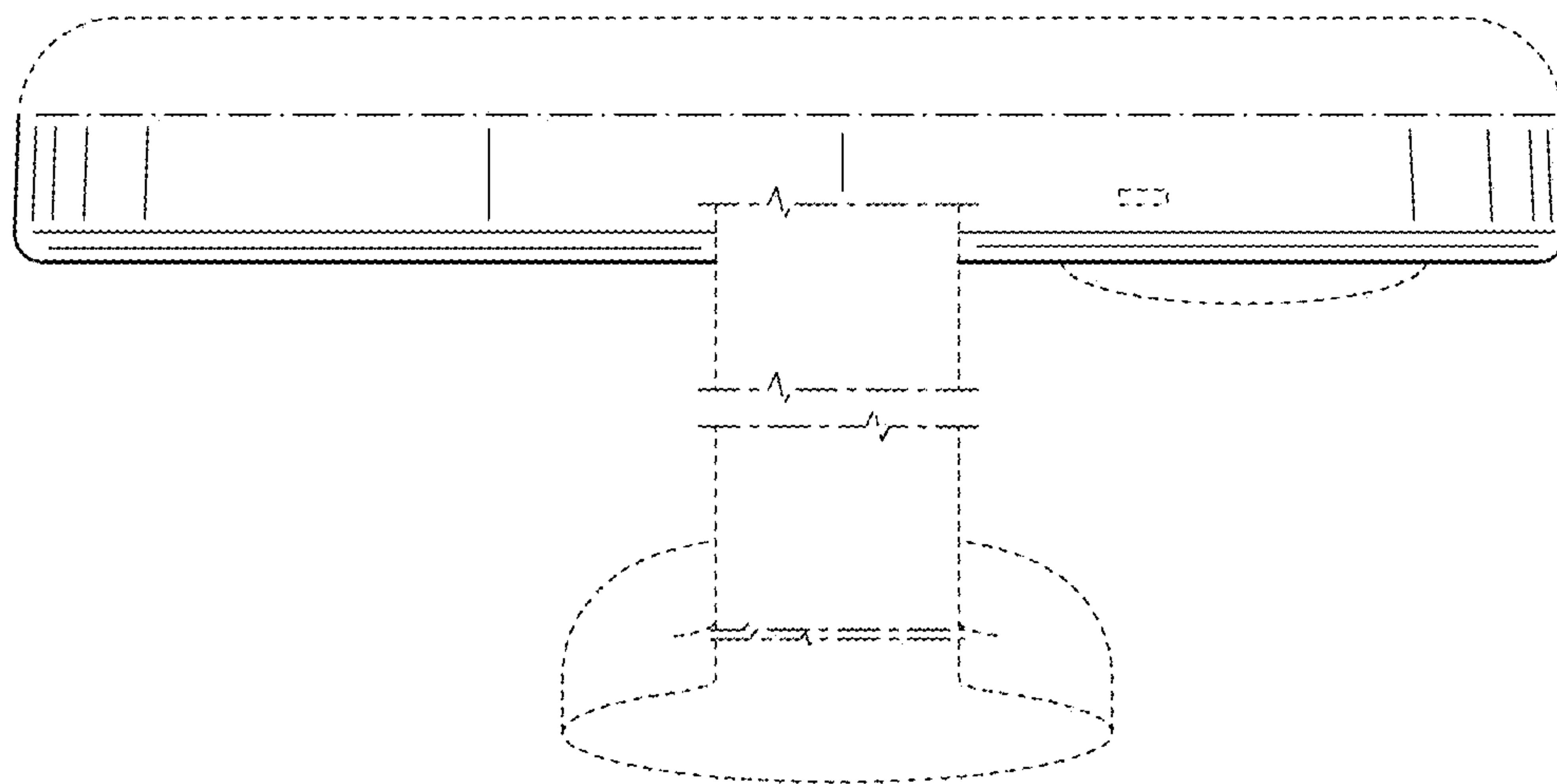


FIG.6



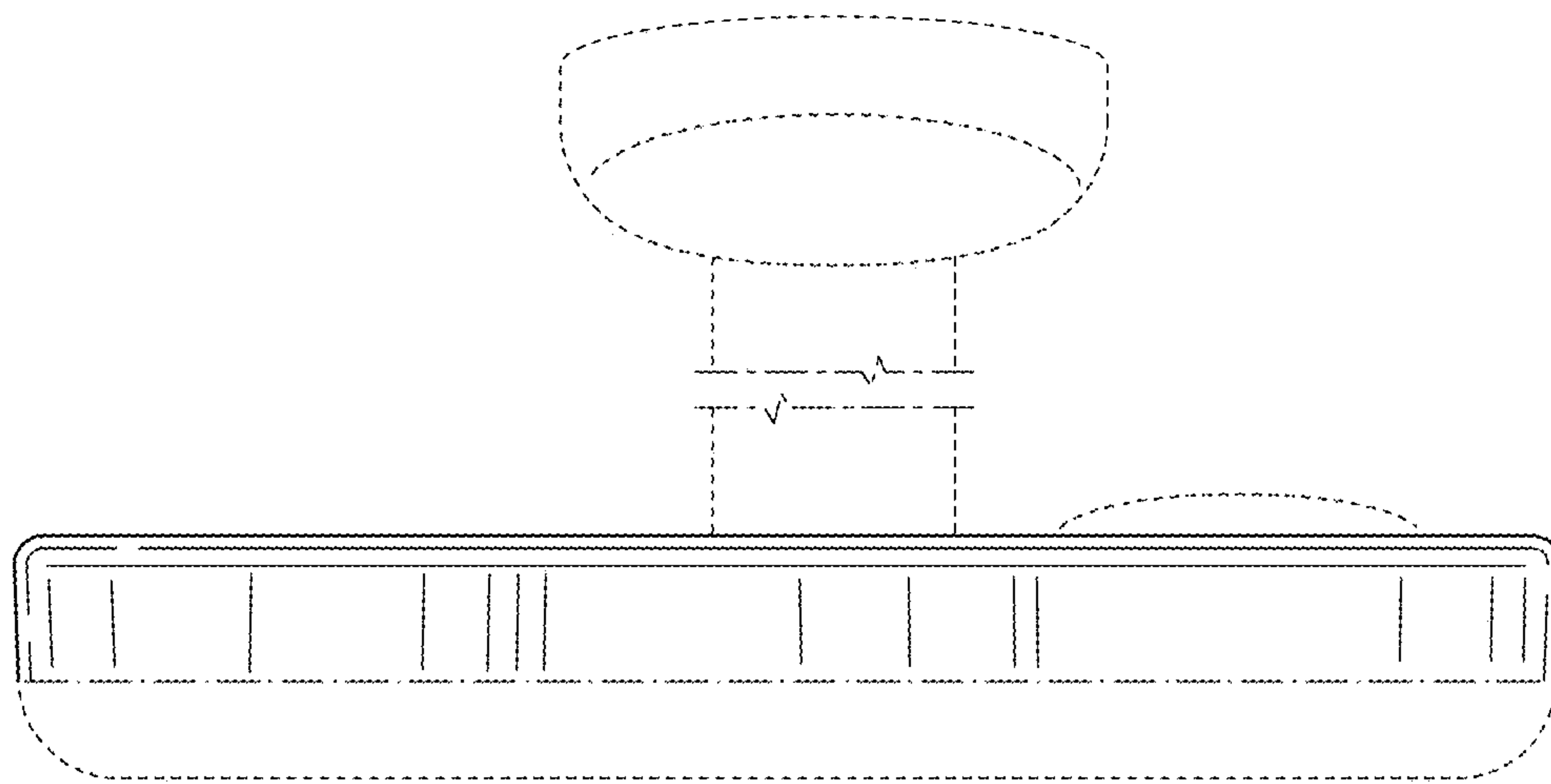


FIG. 7