



US00D974568S

(12) **United States Design Patent** (10) **Patent No.:** **US D974,568 S**
Meyer-Hayoz et al. (45) **Date of Patent:** **** Jan. 3, 2023**

(54) **APPARATUS FOR MEDICAL OR LABORATORY DIAGNOSIS**
(71) Applicant: **Hemotune AG**, Zurich (CH)
(72) Inventors: **Wolfgang K. Meyer-Hayoz**, Winterthur (CH); **Stefan Sperling**, Winterthur (CH); **Dominic Kernen**, Winterthur (CH)

(**) Term: **15 Years**
(21) Appl. No.: **35/511,671**
(22) Filed: **Oct. 5, 2020**

(80) **Hague Agreement Data**
Int. Filing Date: **Oct. 5, 2020**
Int. Reg. No.: **DM/210807**
Int. Reg. Date: **Oct. 5, 2020**
Int. Reg. Pub. Date: **Apr. 9, 2021**

(51) **LOC (14) Cl.** **24-00**
(52) **U.S. Cl.**
USPC **D24/185; D34/14**
CPC **A61B 8/00 (2013.01)**
(58) **Field of Classification Search**
USPC **D24/177, 185, 186; D34/12-27**
CPC **A61B 8/00; A61B 8/4405; A61B 8/4427;**
A61B 8/4411
See application file for complete search history.

(56) **References Cited**
U.S. PATENT DOCUMENTS
D652,521 S * 1/2012 Ross D24/185
D652,936 S * 1/2012 Ross D24/185
D662,208 S * 6/2012 Otoha D24/185
D707,359 S * 6/2014 Kim D24/185
D711,539 S * 8/2014 Hunt D24/158
D713,035 S * 9/2014 Kim D24/158
D728,791 S * 5/2015 Ninomiya D24/158
D743,558 S * 11/2015 Kim D24/186

D792,974 S * 7/2017 Roth D24/185
D804,673 S * 12/2017 Shin D24/186
D825,763 S * 8/2018 Lim D24/160
D855,190 S * 7/2019 Wu D24/185
D872,863 S * 1/2020 Henderson D24/160
D875,253 S * 2/2020 Moon D24/160
D890,931 S * 7/2020 Blomquist D24/185
D890,932 S * 7/2020 Blomquist D24/185
D911,546 S * 2/2021 Vacic D24/216
D932,629 S * 10/2021 Ruff D24/185
D932,630 S * 10/2021 Ruff D24/185
D932,631 S * 10/2021 Ruff D24/185
D936,230 S * 11/2021 Prout D24/185
D945,624 S * 3/2022 Marteau D24/158
D951,461 S * 5/2022 Allemand D24/186
2007/0270694 A1 * 11/2007 Pelissier A61B 8/00
600/443

* cited by examiner

Primary Examiner — Richard E Chilcot

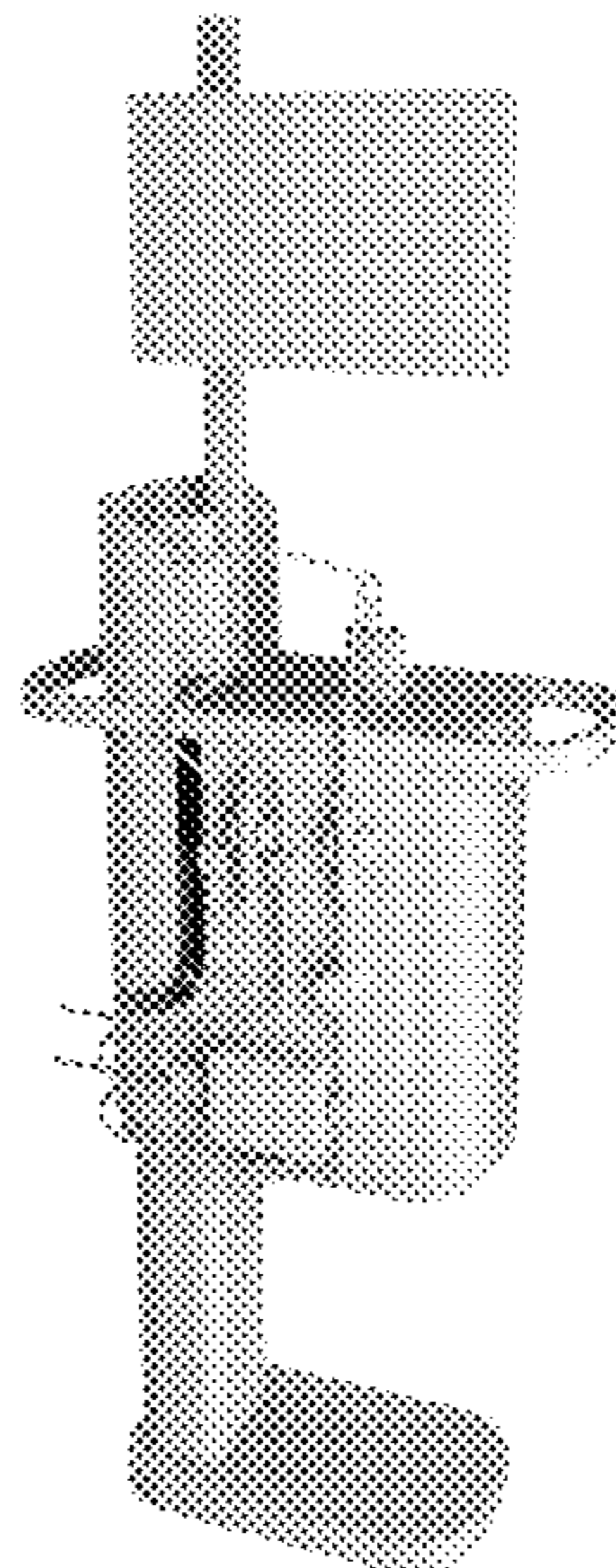
(57) **CLAIM**

The ornamental design for an apparatus for medical or laboratory diagnosis, as shown and described.

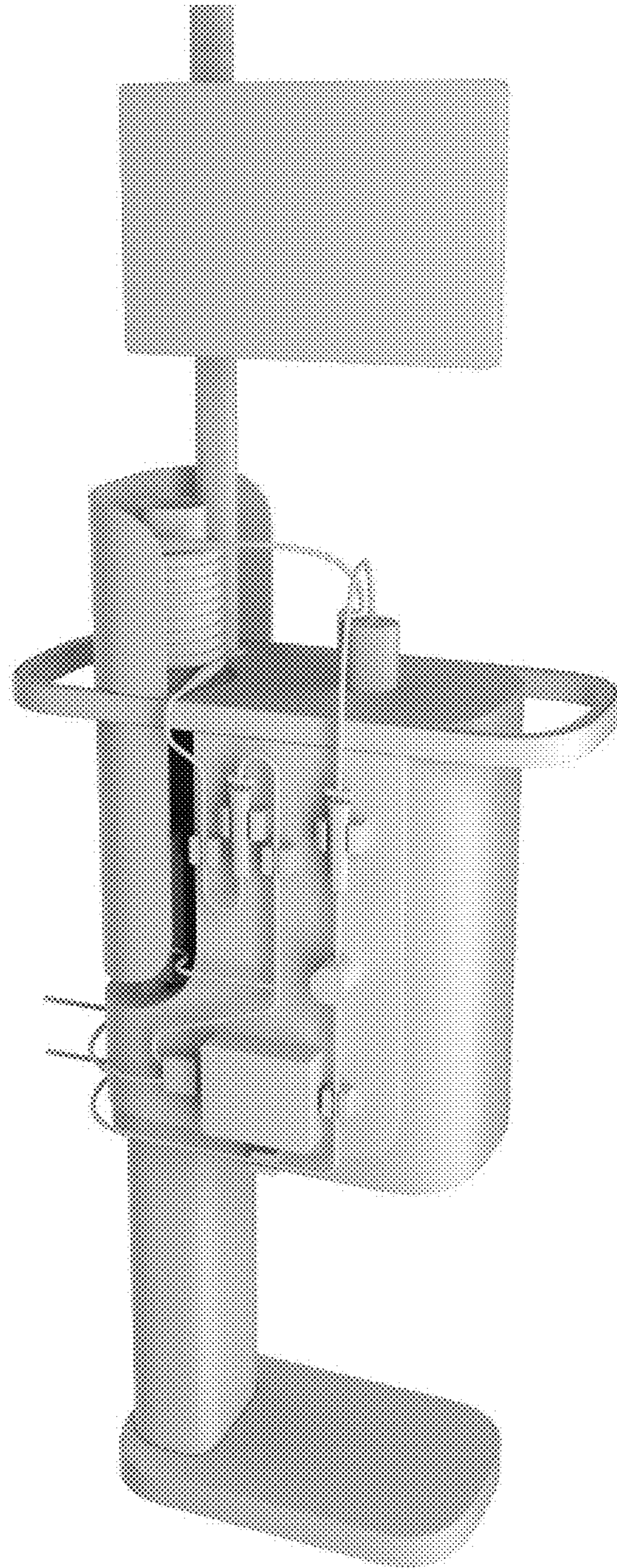
DESCRIPTION

FIG. 1.1 is a perspective view of an apparatus for medical or laboratory diagnosis with the screen in a first position showing our new design;
FIG. 1.2 is a front view thereof;
FIG. 1.3: is a back view thereof;
FIG. 1.4 is a left view thereof;
FIG. 1.5 is a right view thereof;
FIG. 1.6 is a top view thereof;
FIG. 1.7 is a bottom view thereof;
FIG. 1.8 is a perspective view of the apparatus for medical or laboratory diagnosis with the screen in a second position; and
FIG. 1.9 is another perspective view of the apparatus for medical or laboratory diagnosis with the screen in a third position.

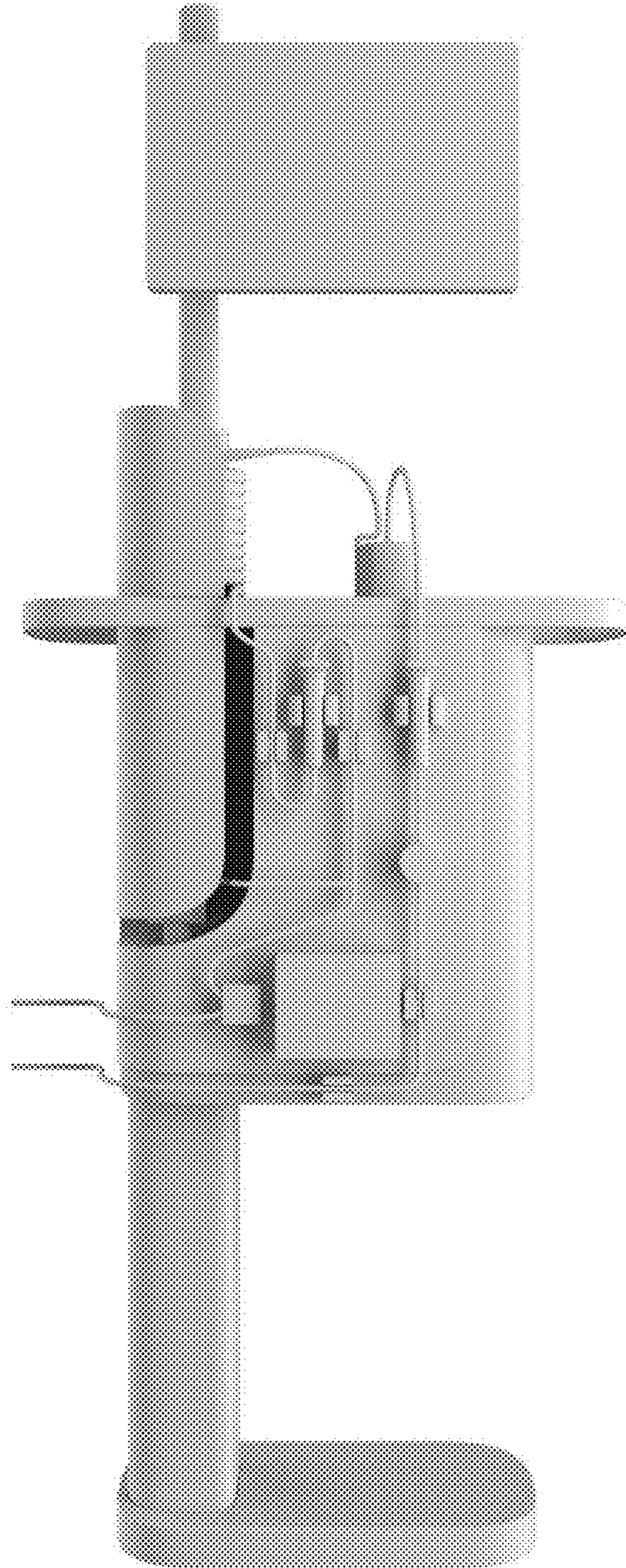
1 Claim, 9 Drawing Sheets



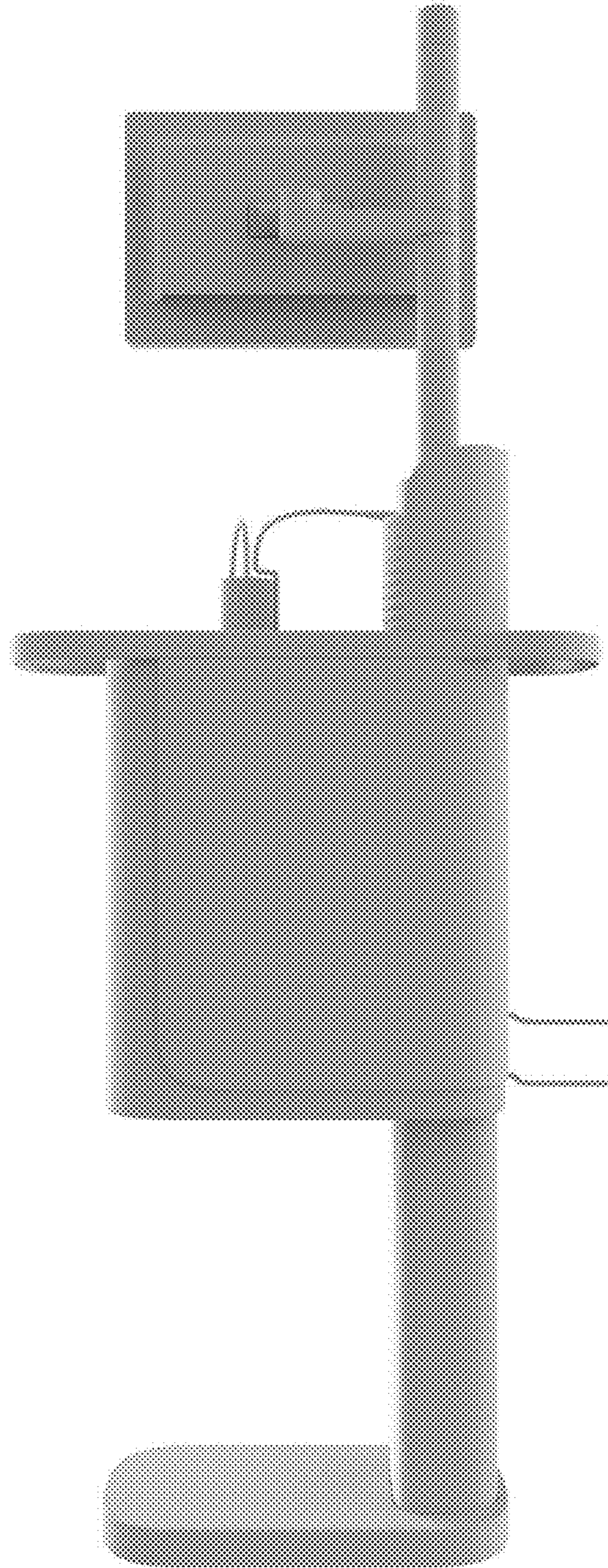
1.1



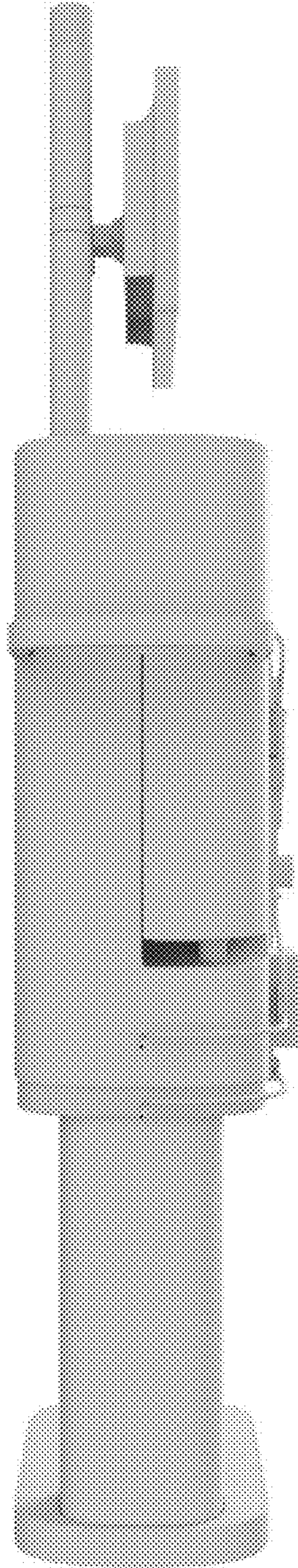
1.2



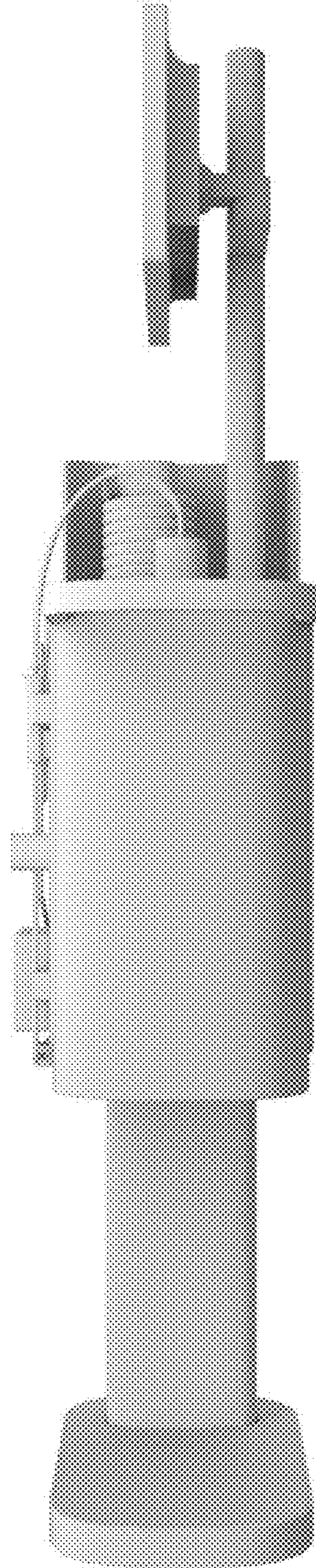
1.3



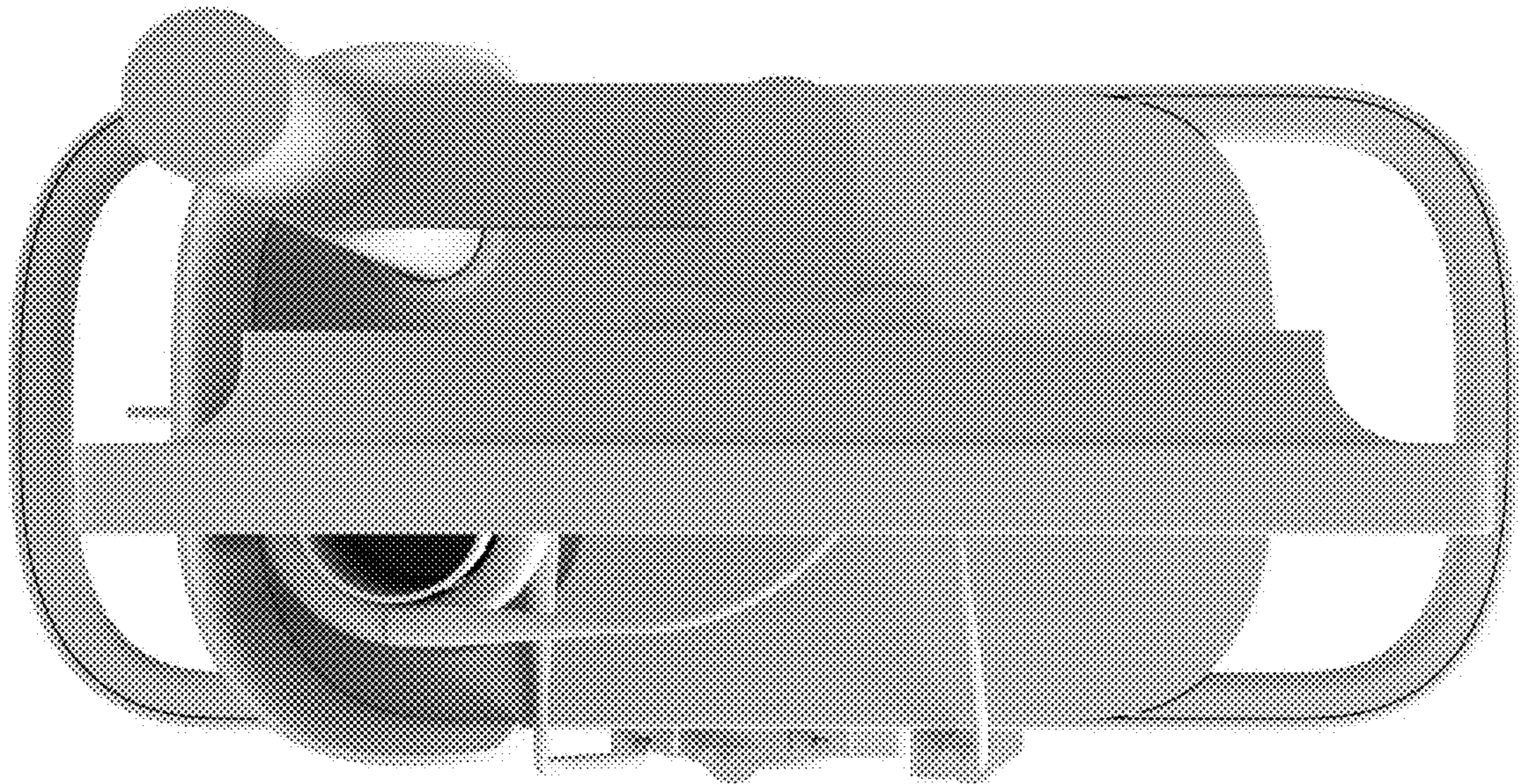
1.4



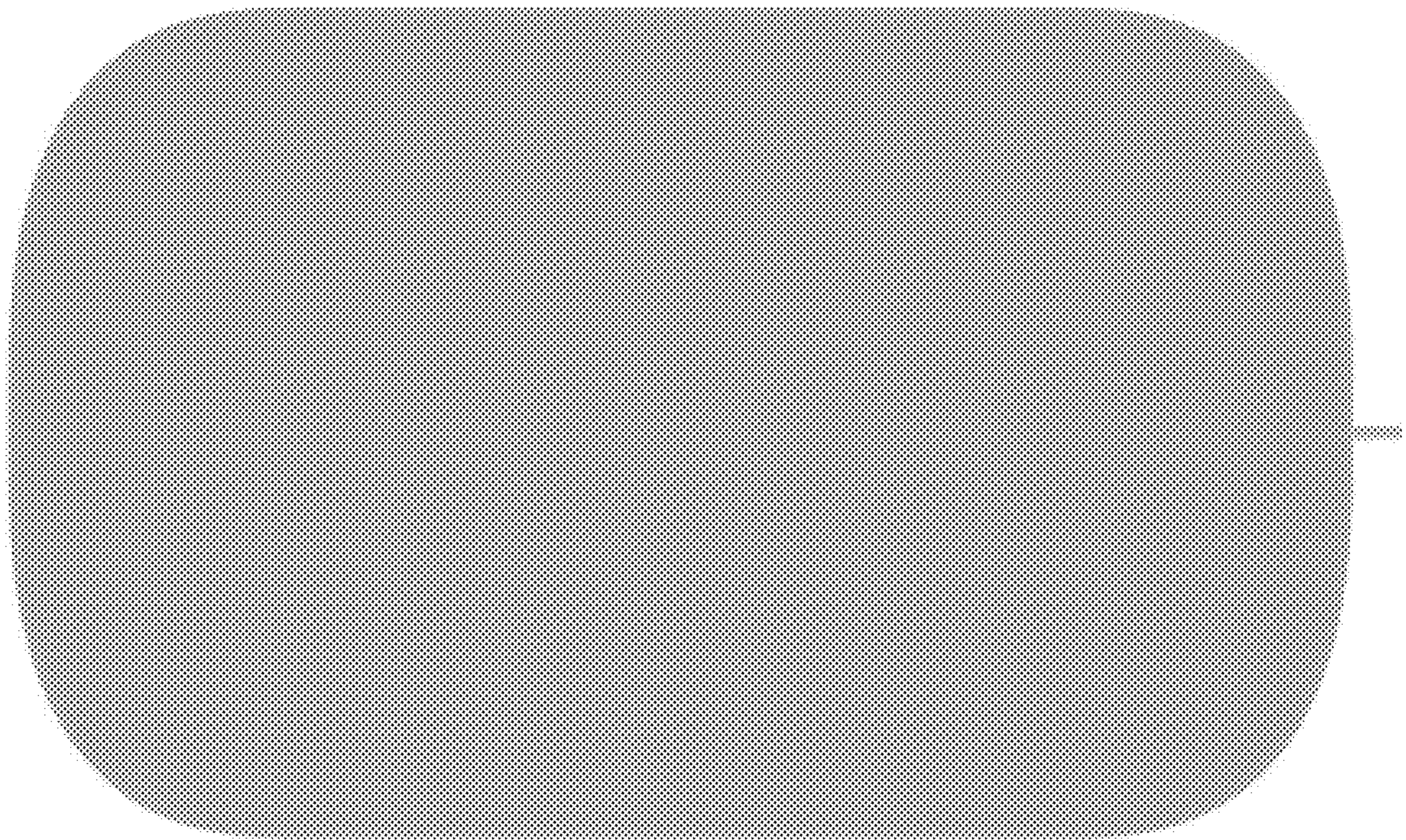
1.5



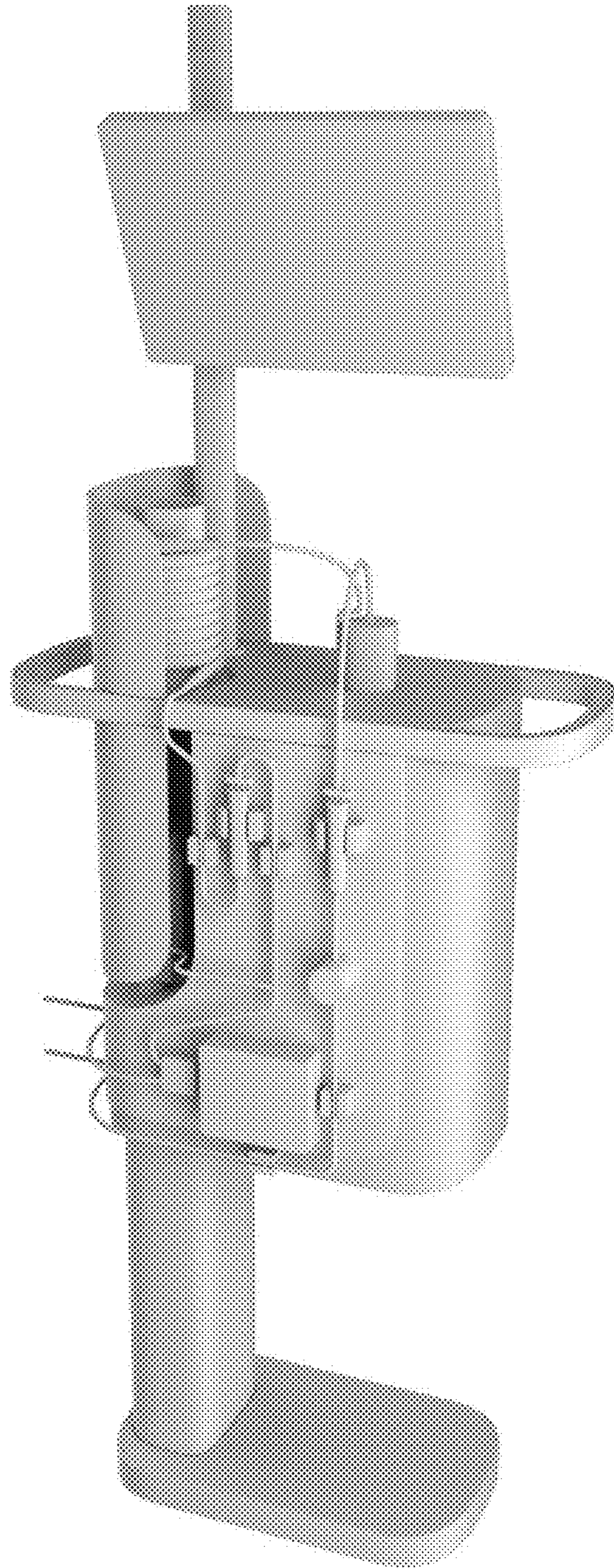
1.6



1.7



1.8



1.9

