



US00D974567S

(12) **United States Design Patent**  
**Wolf**

(10) **Patent No.:** **US D974,567 S**  
(45) **Date of Patent:** **\*\* Jan. 3, 2023**

- (54) **DENTAL MATRIX BAND**
- (71) Applicant: **Adam Wolf**, Philadelphia, PA (US)
- (72) Inventor: **Adam Wolf**, Philadelphia, PA (US)
- (\*\*) Term: **15 Years**
- (21) Appl. No.: **29/835,924**
- (22) Filed: **Apr. 22, 2022**
- (51) **LOC (14) Cl.** ..... **24-02**
- (52) **U.S. Cl.**  
USPC ..... **D24/181**
- (58) **Field of Classification Search**  
USPC ..... D24/133, 144, 147, 176, 180, 181;  
D8/21, 40  
CPC ..... A61C 13/275; A61C 13/267  
See application file for complete search history.

(56) **References Cited**

U.S. PATENT DOCUMENTS

- 2,030,227 A \* 2/1936 Richardson ..... A61C 7/12  
433/23
- 2,043,144 A \* 6/1936 Argauer ..... B67B 7/18  
D8/40
- 2,591,745 A \* 4/1952 Tofflemire ..... A61C 5/85  
433/155
- 2,607,117 A \* 8/1952 Baughan ..... A61C 5/85  
433/39
- 3,138,872 A \* 6/1964 Lazarus ..... A61C 7/12  
433/23
- 3,145,472 A \* 8/1964 Tofflemire ..... A61C 5/85  
433/39
- 3,164,902 A \* 1/1965 Wallshein ..... A61C 7/12  
433/23
- 3,203,098 A \* 8/1965 Petraitis ..... A61C 7/12  
433/23
- 3,305,928 A \* 2/1967 Tofflemire ..... A61C 5/85  
433/39
- 3,482,314 A \* 12/1969 Tofflemire ..... A61C 5/85  
433/141

- D253,191 S 10/1979 Stark et al.
- 5,586,883 A \* 12/1996 Nakisher ..... A61C 5/85  
433/39
- D515,215 S \* 2/2006 Wang ..... D24/176  
(Continued)

FOREIGN PATENT DOCUMENTS

- JP D1644890 \* 11/2019
- JP D1653535 \* 2/2020

OTHER PUBLICATIONS

Reg Ho Matrix Bands,practicon.com,tineye, date published Jan. 14, 2016,date retrieved Sep. 12, 2022—29835924—<https://tineye.com/search/8b3f48a9bb60bb06acce341981a205f611793f8d?sort=score&order=desc&page=1> (Year: 2016).\*

(Continued)

*Primary Examiner* — Jennifer L Rempfer  
*Assistant Examiner* — Danielle Nichole Bowly  
(74) *Attorney, Agent, or Firm* — Morgan, Lewis & Bockius LLP

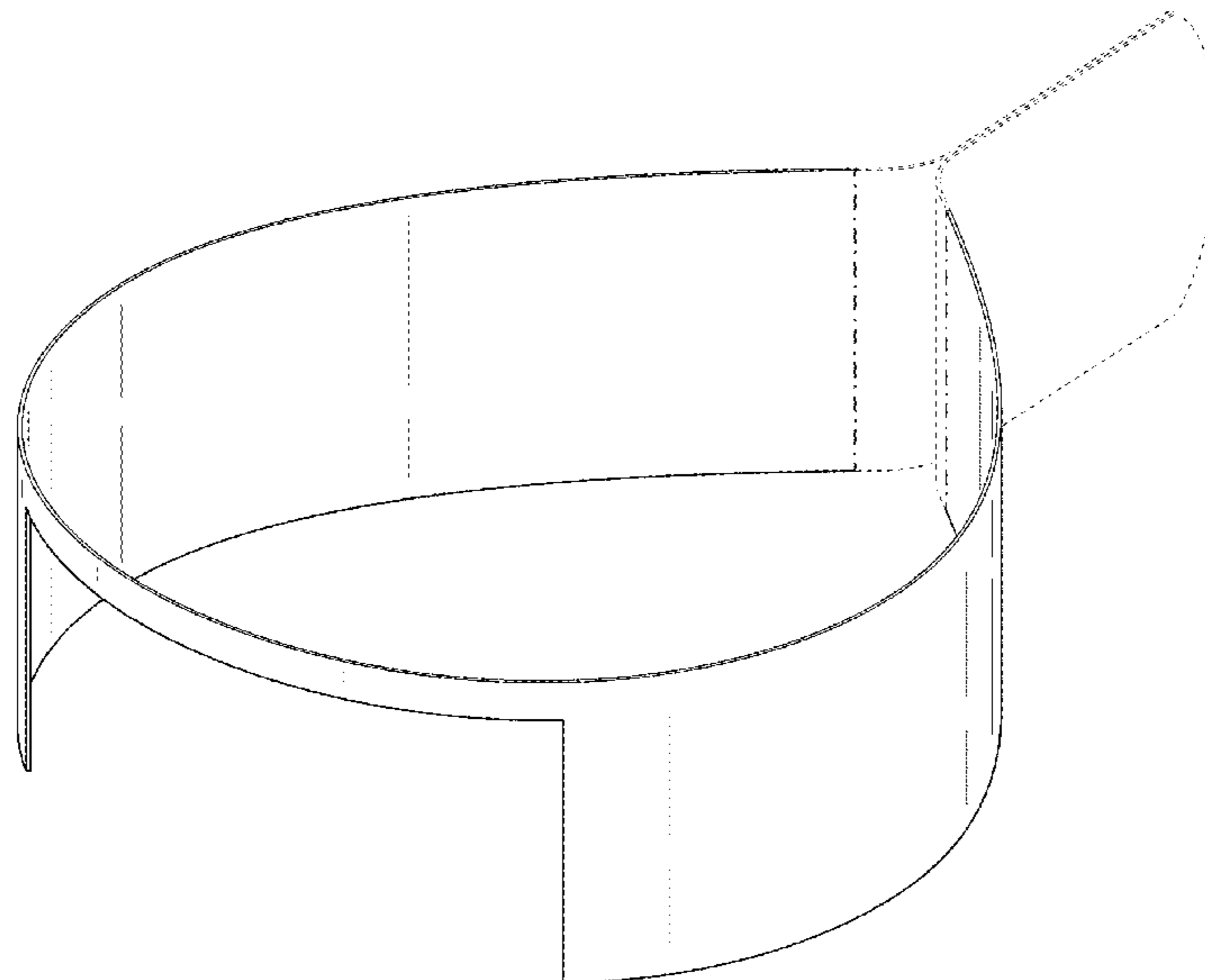
(57) **CLAIM**

The ornamental design for a dental matrix band, as shown and described.

**DESCRIPTION**

FIG. 1 is a front perspective view of a dental matrix band showing my new design;  
FIG. 2 is a front elevational view thereof;  
FIG. 3 is a rear elevational view thereof;  
FIG. 4 is a left-side elevational view thereof;  
FIG. 5 is a right-side elevational view thereof;  
FIG. 6 is a top plan view thereof; and,  
FIG. 7 is a bottom plan view thereof.  
The broken lines depict portions of the dental matrix band that form no part of the claimed design. The dash-dot-dash lines illustrate boundaries that form no part of the claimed design.

**1 Claim, 7 Drawing Sheets**



(56)

**References Cited**

U.S. PATENT DOCUMENTS

D595,414	S	6/2009	McDonald	
D599,020	S	8/2009	McDonald	
D599,021	S	8/2009	McDonald	
D599,022	S *	8/2009	McDonald	..... D24/181
D605,298	S	12/2009	McDonald	
D690,423	S	9/2013	Pieroni et al.	
D690,821	S	10/2013	Slone	
D698,924	S	2/2014	Pieroni et al.	
D721,812	S	1/2015	Haraden	
D721,813	S	1/2015	Haraden	
D756,522	S	5/2016	Anderson et al.	
D766,445	S	9/2016	Brown	
D805,196	S *	12/2017	Lee	..... D24/144
D849,250	S	5/2019	Brown	
D927,695	S	8/2021	Swan	
D930,166	S	9/2021	Fatiny	
D954,266	S *	6/2022	Swan	..... D24/176
2011/0189629	A1 *	8/2011	Kilcher	..... A61C 5/85 433/226
2012/0129125	A1 *	5/2012	Ibrahim	..... A61C 5/85 433/226

OTHER PUBLICATIONS

Dental Matrix Band, tlcanama.net.tineye, date published Nov. 30, 2019, date retrieved Sep. 12, 2022—29835924—<https://tineye.com/search/4413d201ae0eaf7d53181654d77f041571c4515e?sort=score&order=desc&page=1> (Year: 2019).\*

Denovo Dental Preformed Matrix Band, Denovodental.com, available at least as early as Mar. 15, 2022. Site visited Apr. 22, 2022. Internet URL: <<https://denovodental.com/products/matrix-products/preformed-matrix-bands/316-pedo/>>.

\* cited by examiner

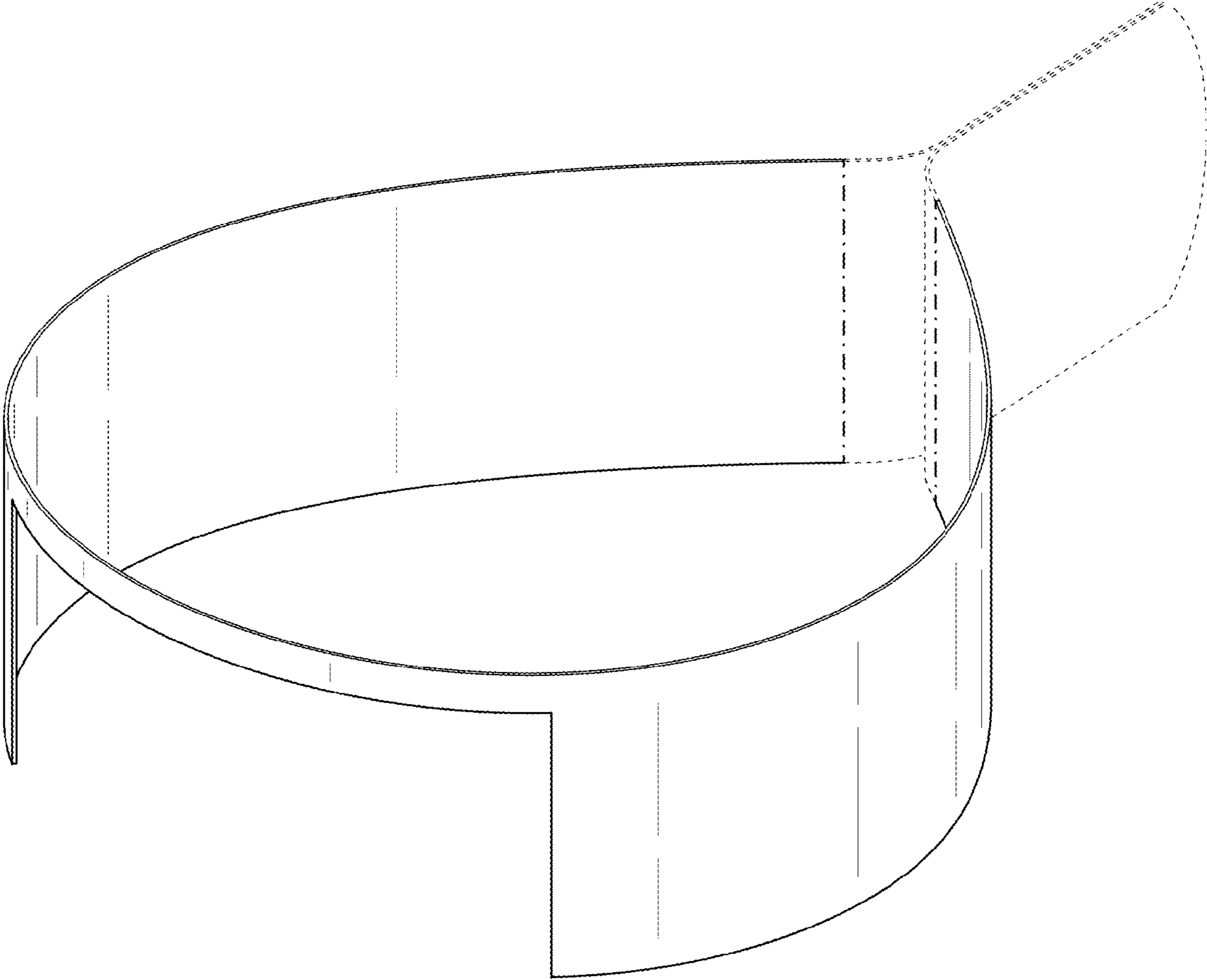


FIG. 1

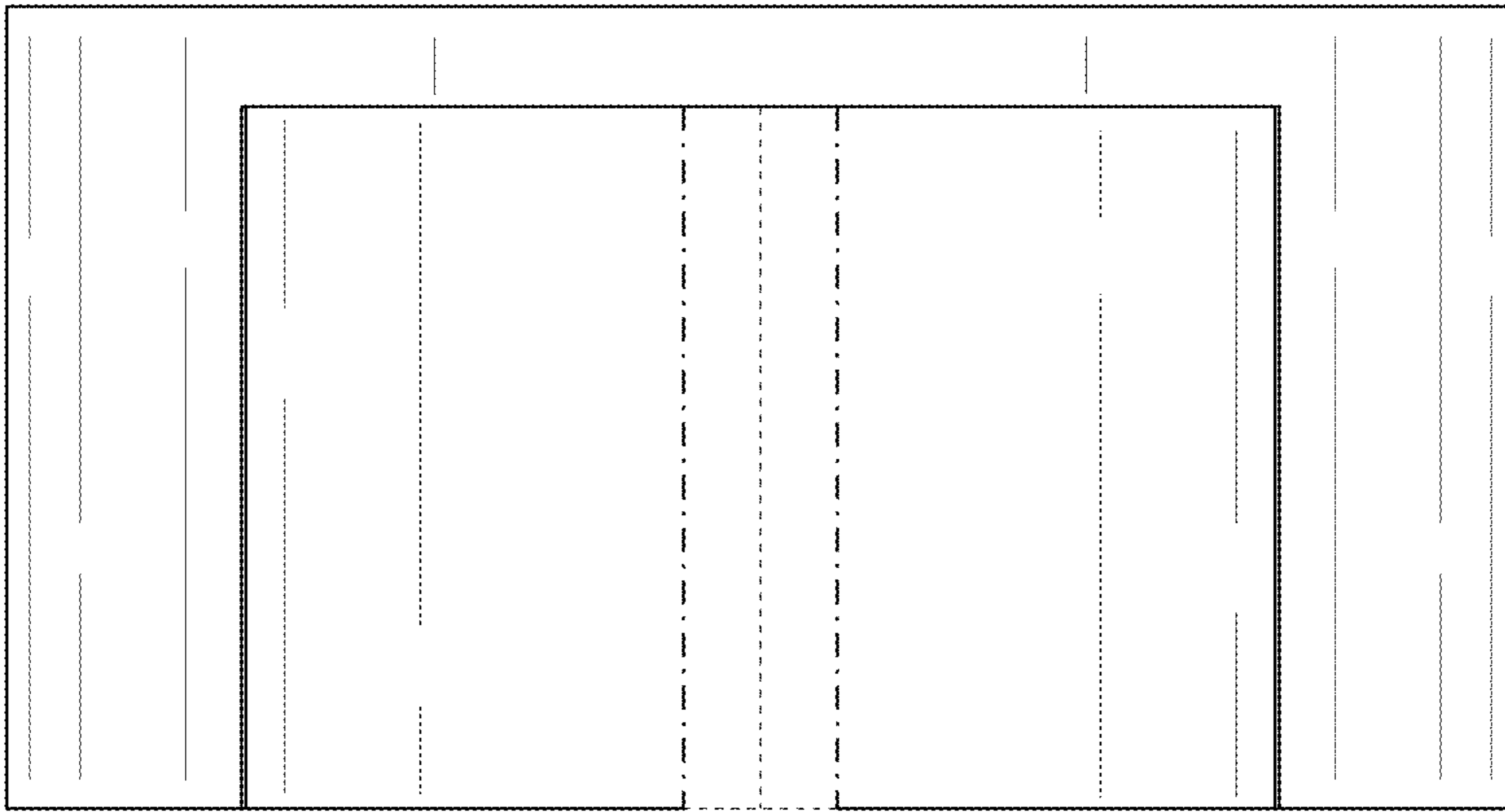


FIG. 2

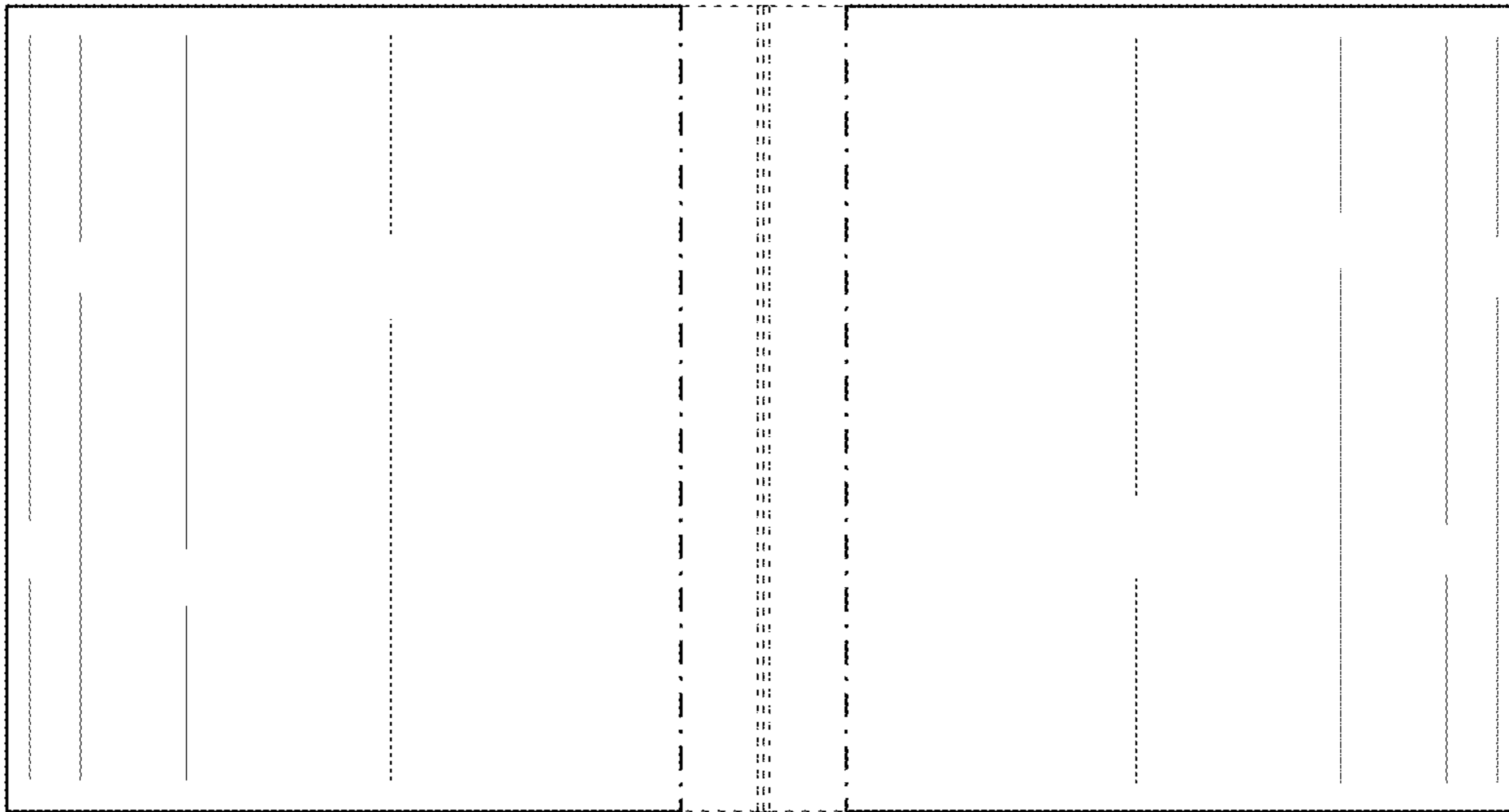


FIG. 3

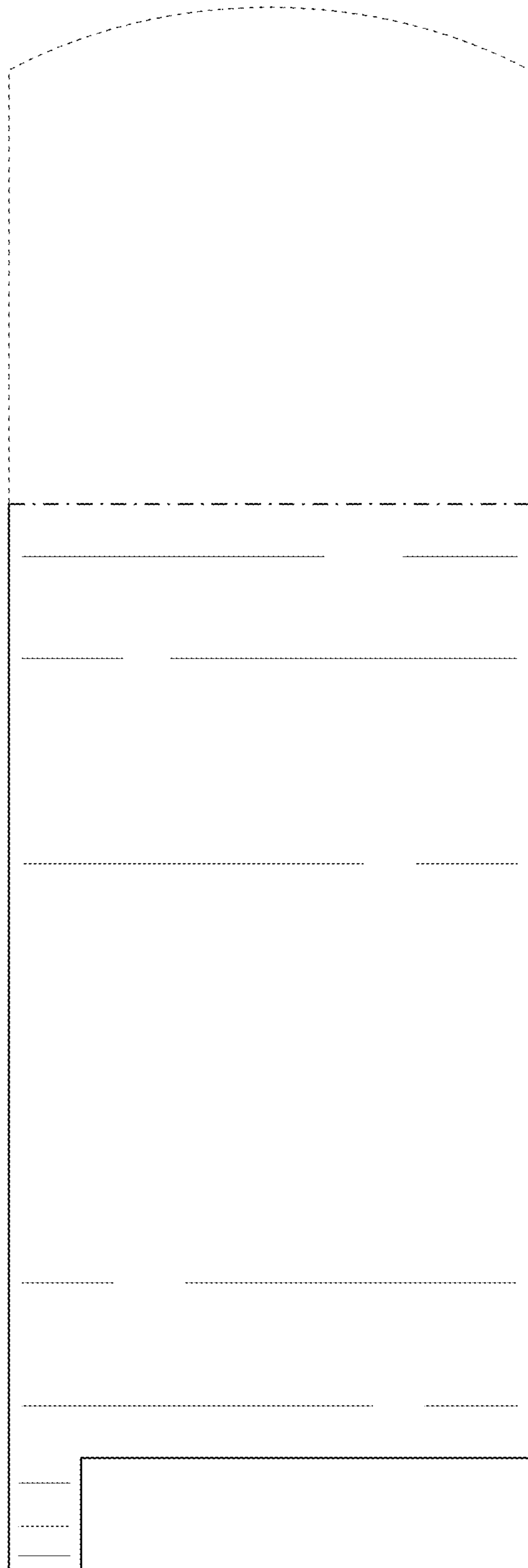


FIG. 4

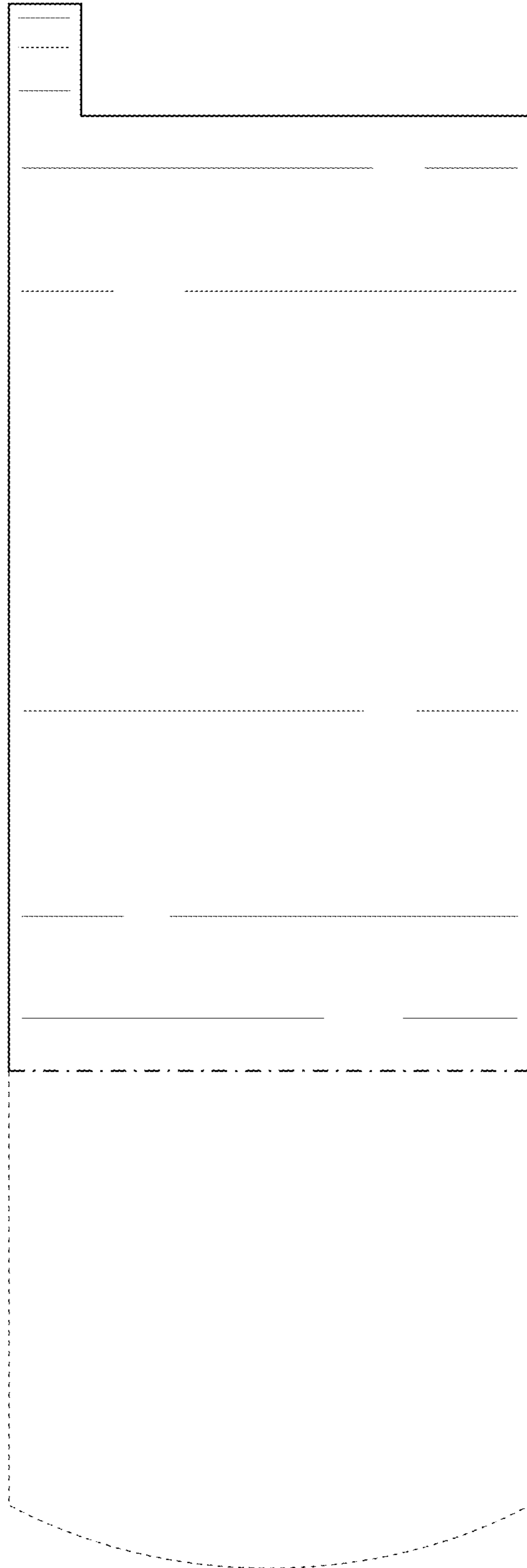


FIG. 5

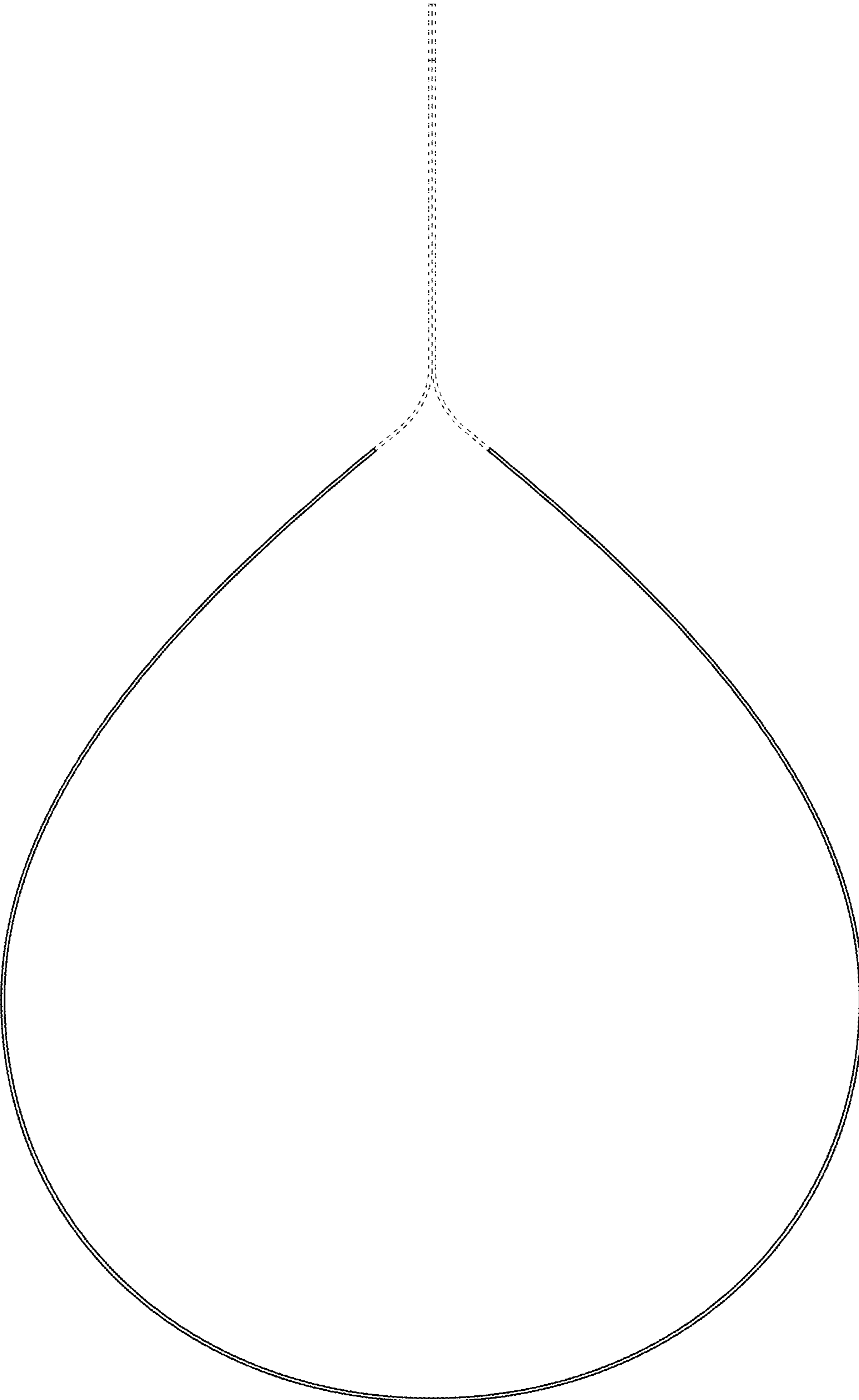


FIG. 6



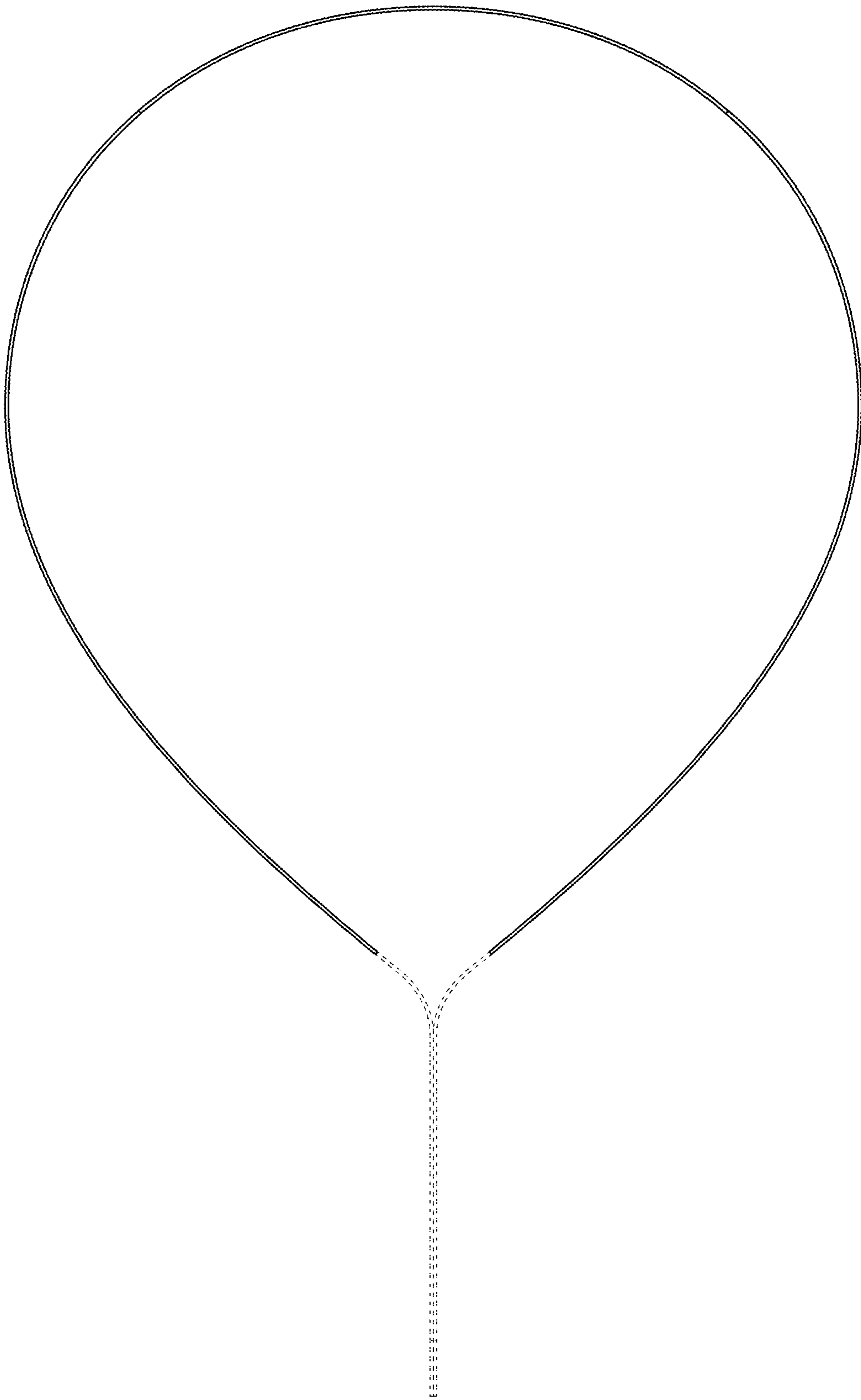


FIG. 7