



US00D974566S

(12) **United States Design Patent**
Tong et al.

(10) **Patent No.:** **US D974,566 S**
(45) **Date of Patent:** **** Jan. 3, 2023**

(54) **ORTHODONTIC APPLIANCE TRIMMING ASSEMBLY**

FOREIGN PATENT DOCUMENTS

(71) Applicant: **uLab Systems, Inc.**, San Mateo, CA (US)
(72) Inventors: **Lishun Tong**, Xi'an (CN); **Yongjie Zhang**, Xi'an (CN); **Song Chen**, Xi'an (CN); **Henry Cao**, San Jose, CA (US)

WO WO 2006/055239 5/2006

* cited by examiner

Primary Examiner — Wan Laymon

(74) *Attorney, Agent, or Firm* — Levine Bagade Han LLP

(73) Assignee: **uLab Systems, Inc.**, Memphis, TN (US)

(57) **CLAIM**

The ornamental design for an orthodontic appliance trimming assembly, as shown and described.

(**) Term: **15 Years**

(21) Appl. No.: **29/796,969**

(22) Filed: **Jun. 28, 2021**

(51) **LOC (14) Cl.** **24-02**

(52) **U.S. Cl.**
USPC **D24/181**

(58) **Field of Classification Search**
USPC D24/176, 180, 181
CPC A61C 13/34; A61C 13/00; A61C 13/0027;
A61C 13/04; A61C 13/20; B29C 64/153
See application file for complete search history.

DESCRIPTION

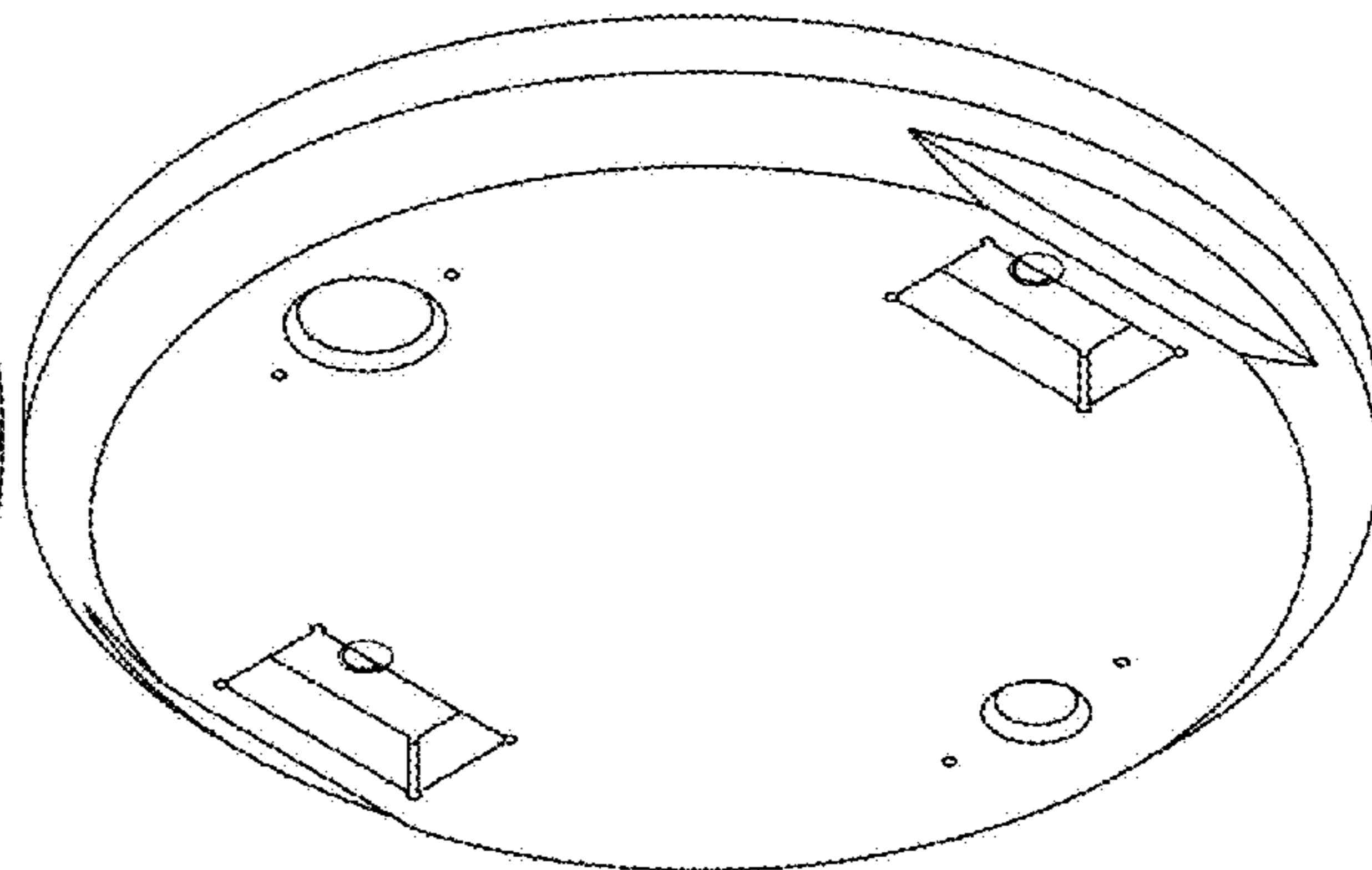
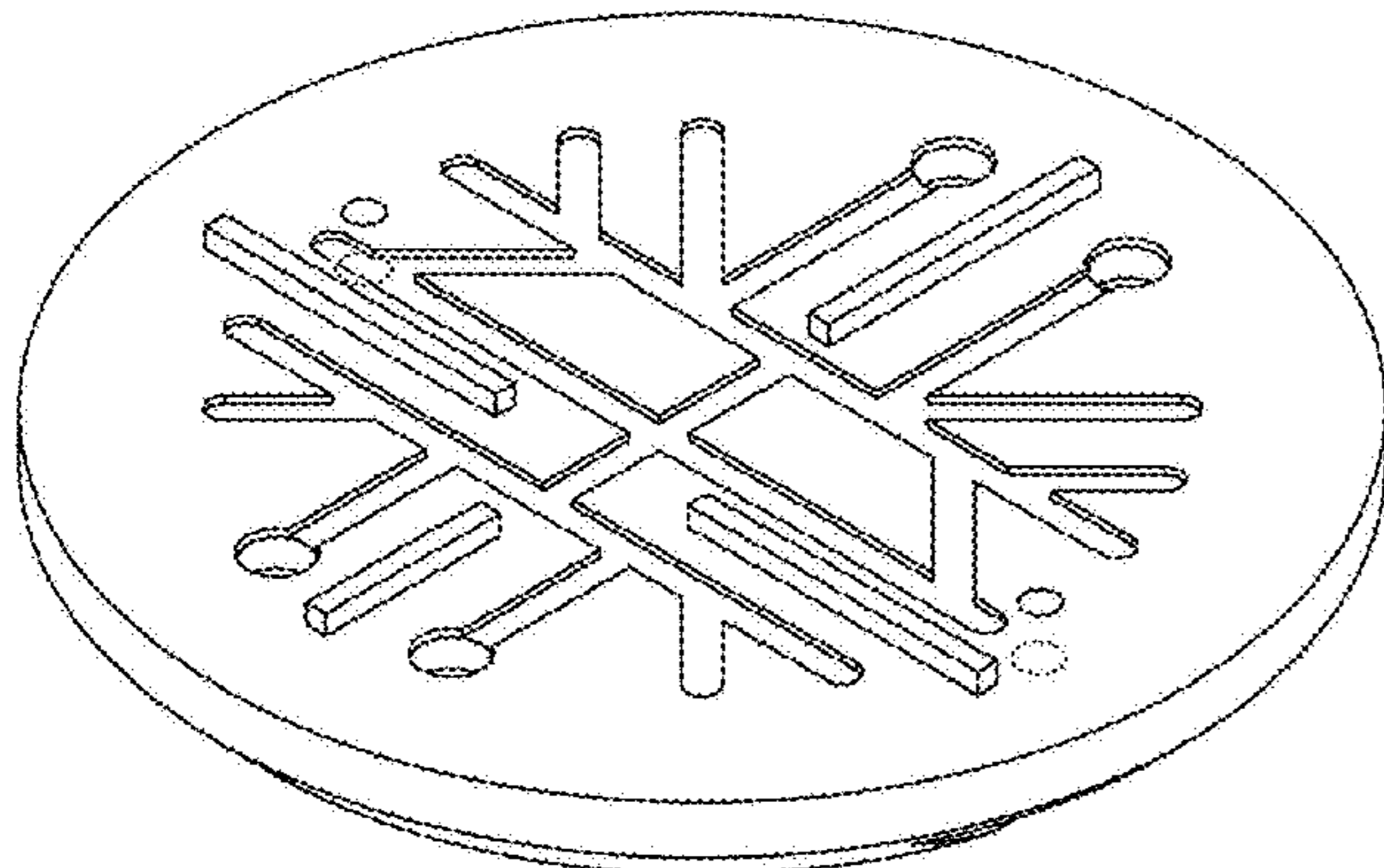
FIG. 1 is an enlarged top perspective view of an orthodontic appliance trimming assembly.
FIG. 2 is an enlarged bottom perspective view of the trimming assembly of FIG. 1;
FIG. 3 is a top plan view of the trimming assembly of FIG. 1;
FIG. 4 is a left side view of the trimming assembly of FIG. 1;
FIG. 5 is a right side view of the trimming assembly of FIG. 1;
FIG. 6 is a front view of the trimming assembly of FIG. 1;
FIG. 7 is a rear view of the trimming assembly of FIG. 1;
FIG. 8 is a bottom plan view of the trimming assembly of FIG. 1; and,
FIG. 9 is a perspective assembly view of the trimming assembly of FIG. 1 having an orthodontic appliance for trimming positioned over the trimming assembly.
The broken lines shown in the drawings are included for the purpose of illustrating portions and environmental elements of the orthodontic appliance trimming assembly and form no part of the claimed design.

(56) **References Cited**

U.S. PATENT DOCUMENTS

6,976,627	B1	12/2005	Culp et al.	
7,306,152	B2	12/2007	Culp et al.	
7,611,058	B2	11/2009	Culp et al.	
10,624,722	B1 *	4/2020	Culp	A61C 13/34
11,007,042	B2 *	5/2021	Long	A61C 13/34
D942,015	S *	1/2022	Hepler	D24/180
2006/0093987	A1 *	5/2006	Wen	A61C 9/002 433/74
2016/0128811	A1 *	5/2016	Rauh	A61C 13/34 528/421
2016/0338806	A1 *	11/2016	Nazzal	A61C 13/34
2021/0045855	A1 *	2/2021	Long	A61C 13/34

1 Claim, 3 Drawing Sheets



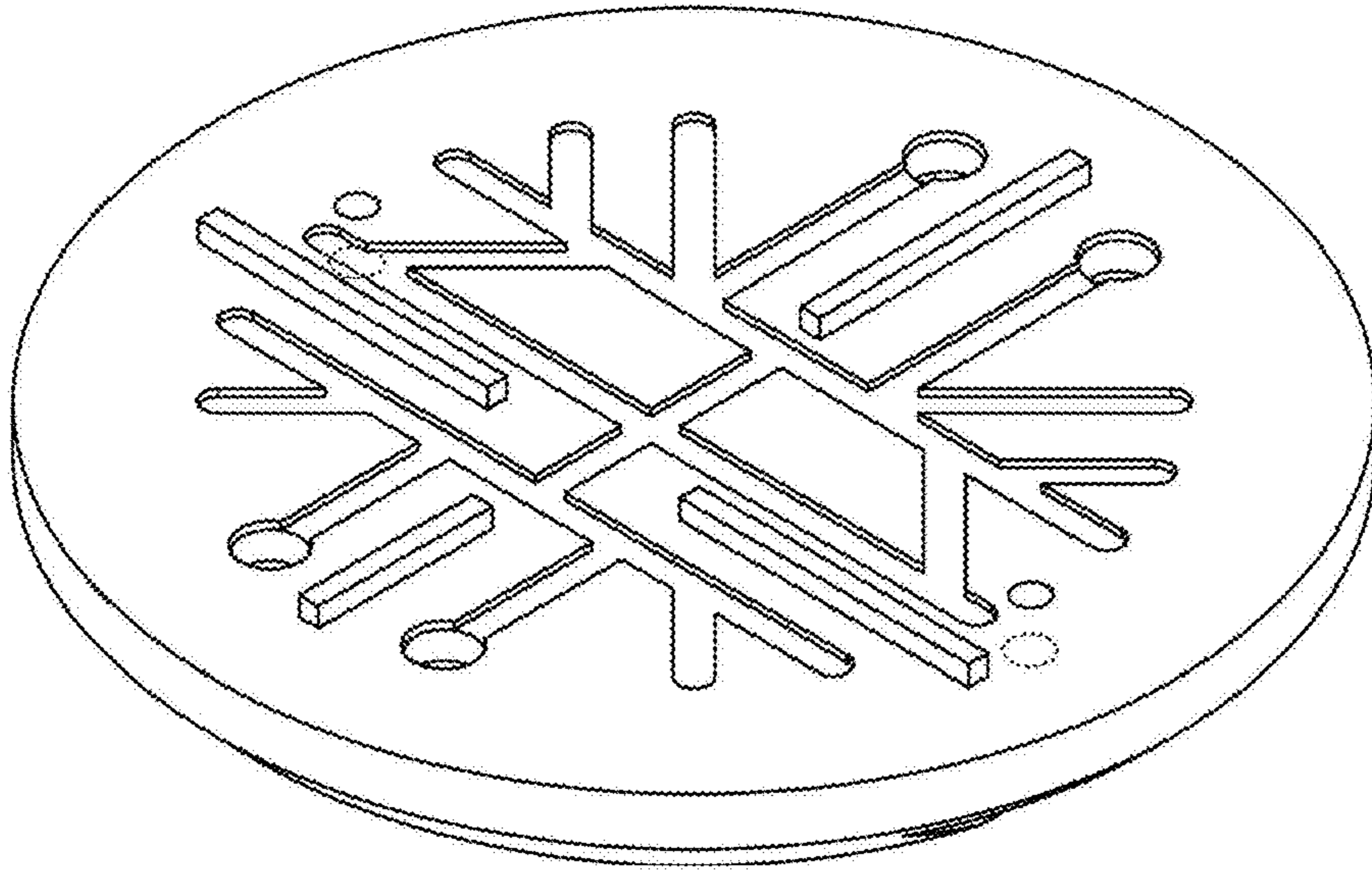


FIG. 1

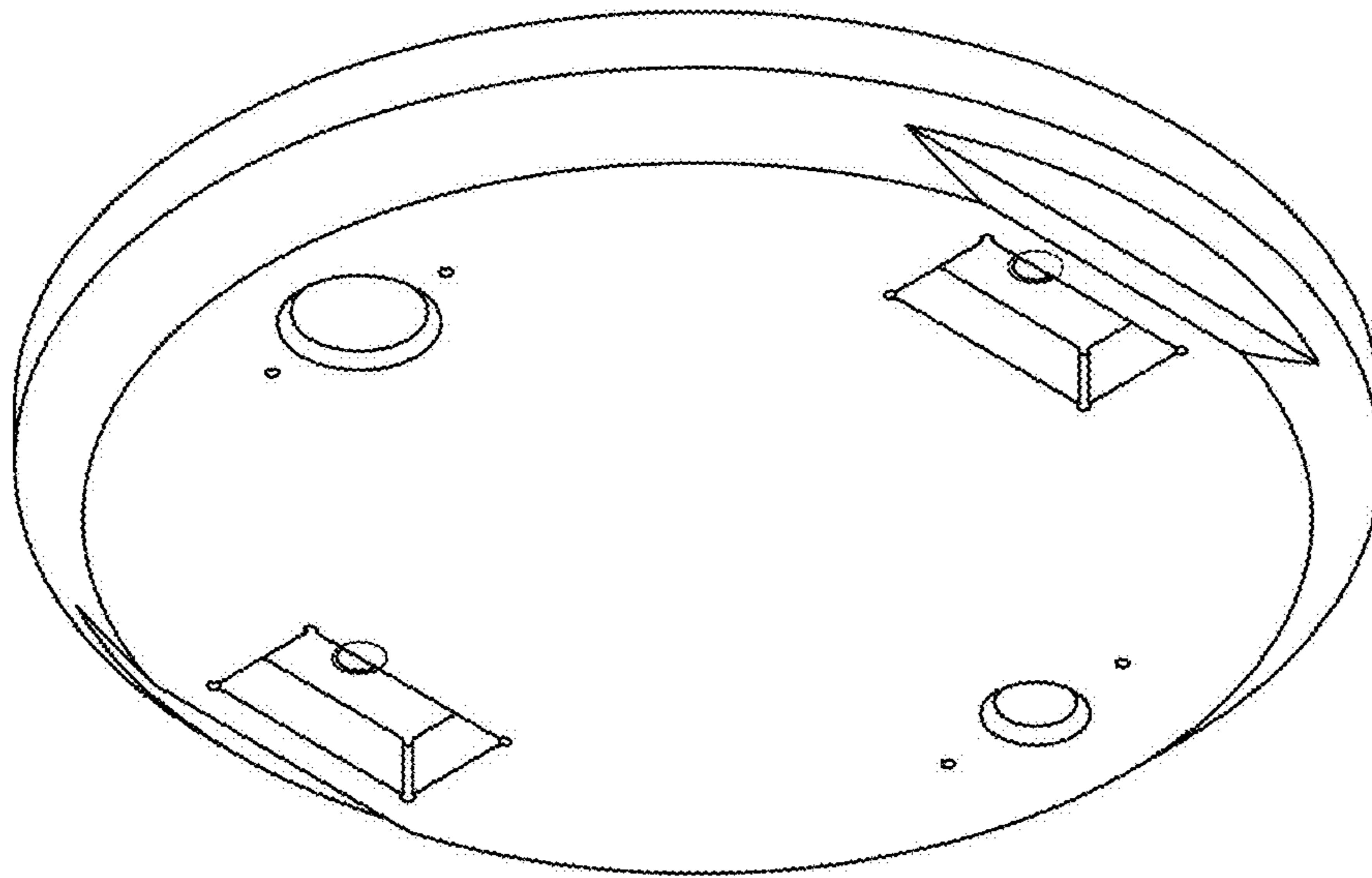


FIG. 2

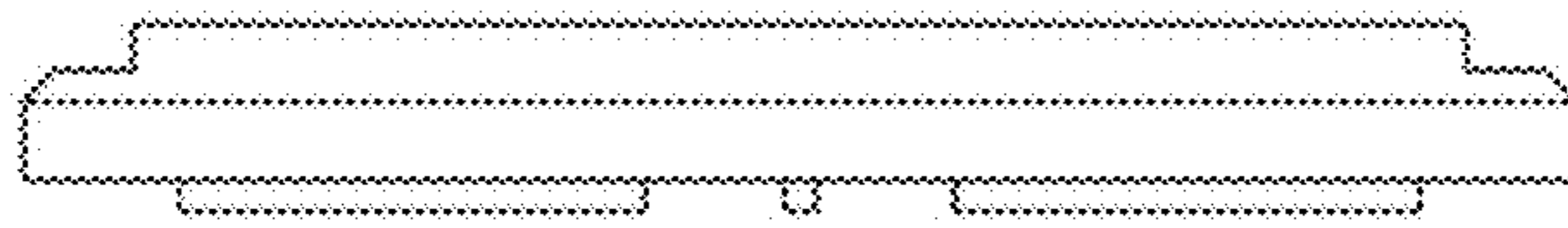


FIG. 7

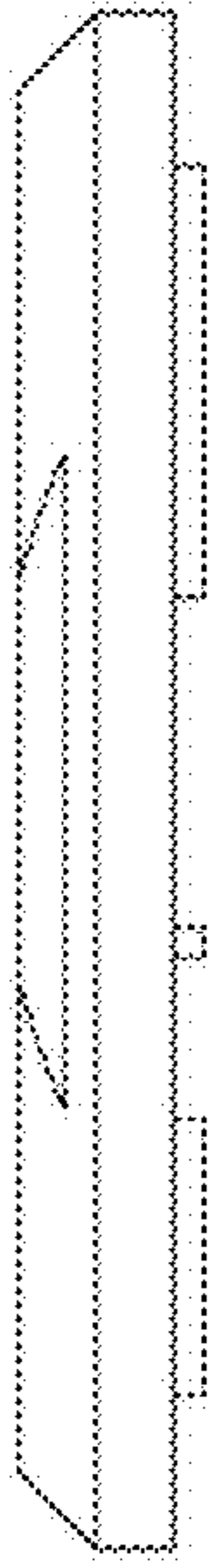


FIG. 4

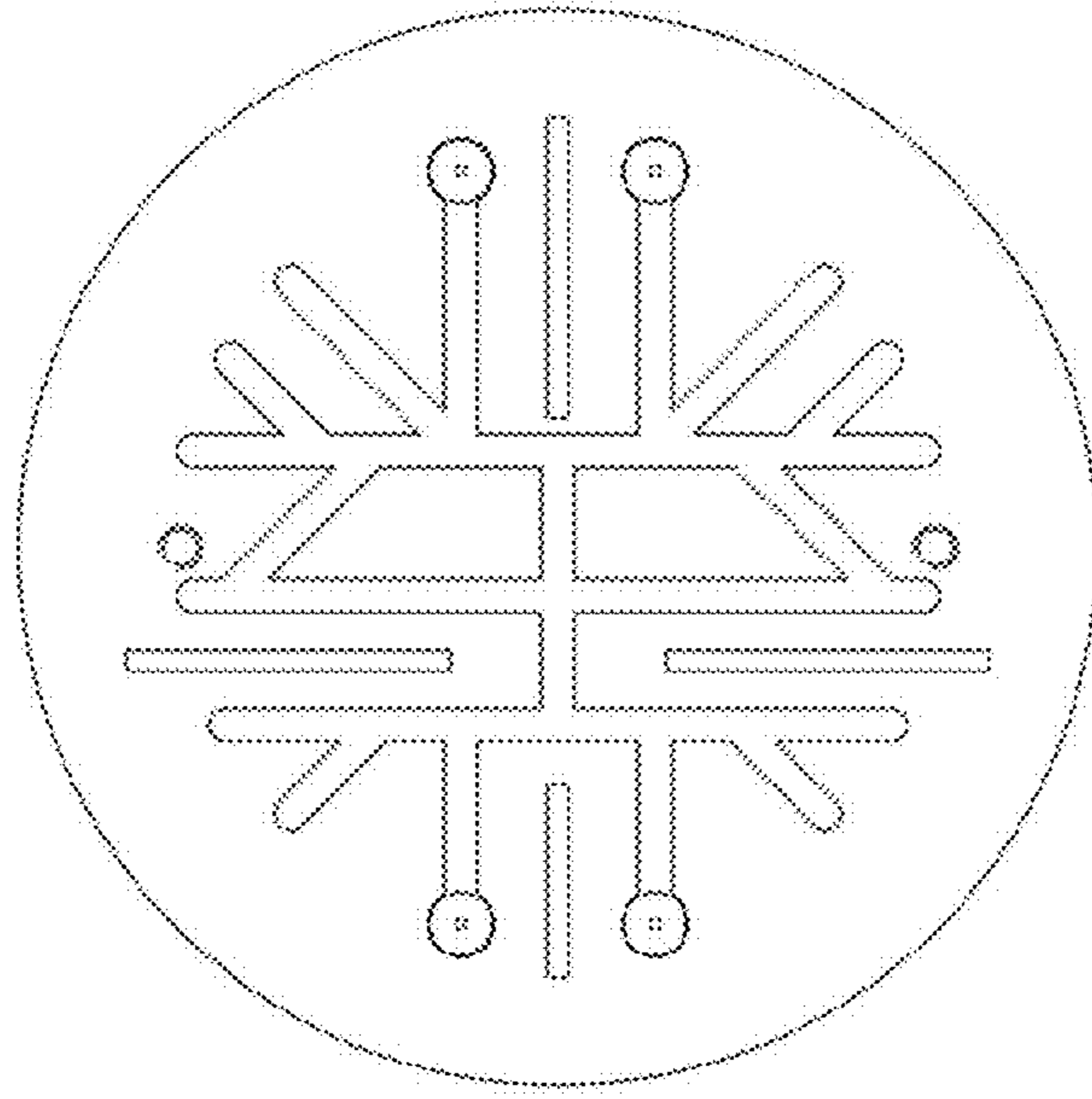


FIG. 3

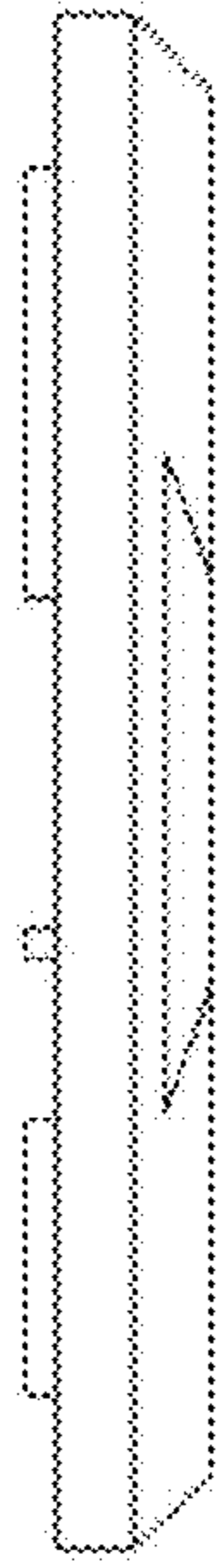


FIG. 5

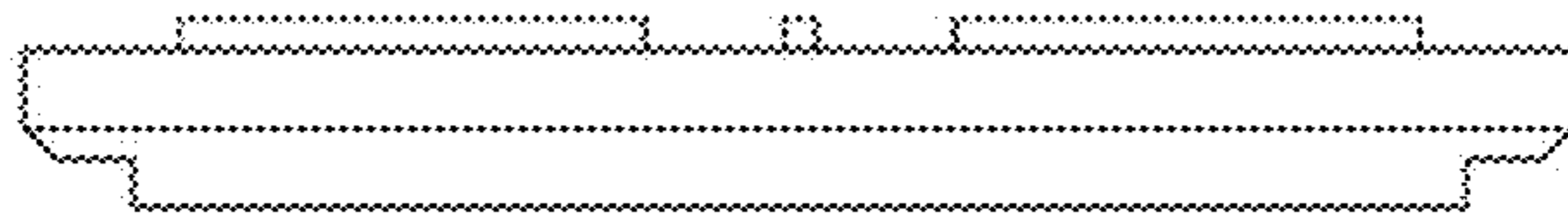


FIG. 6

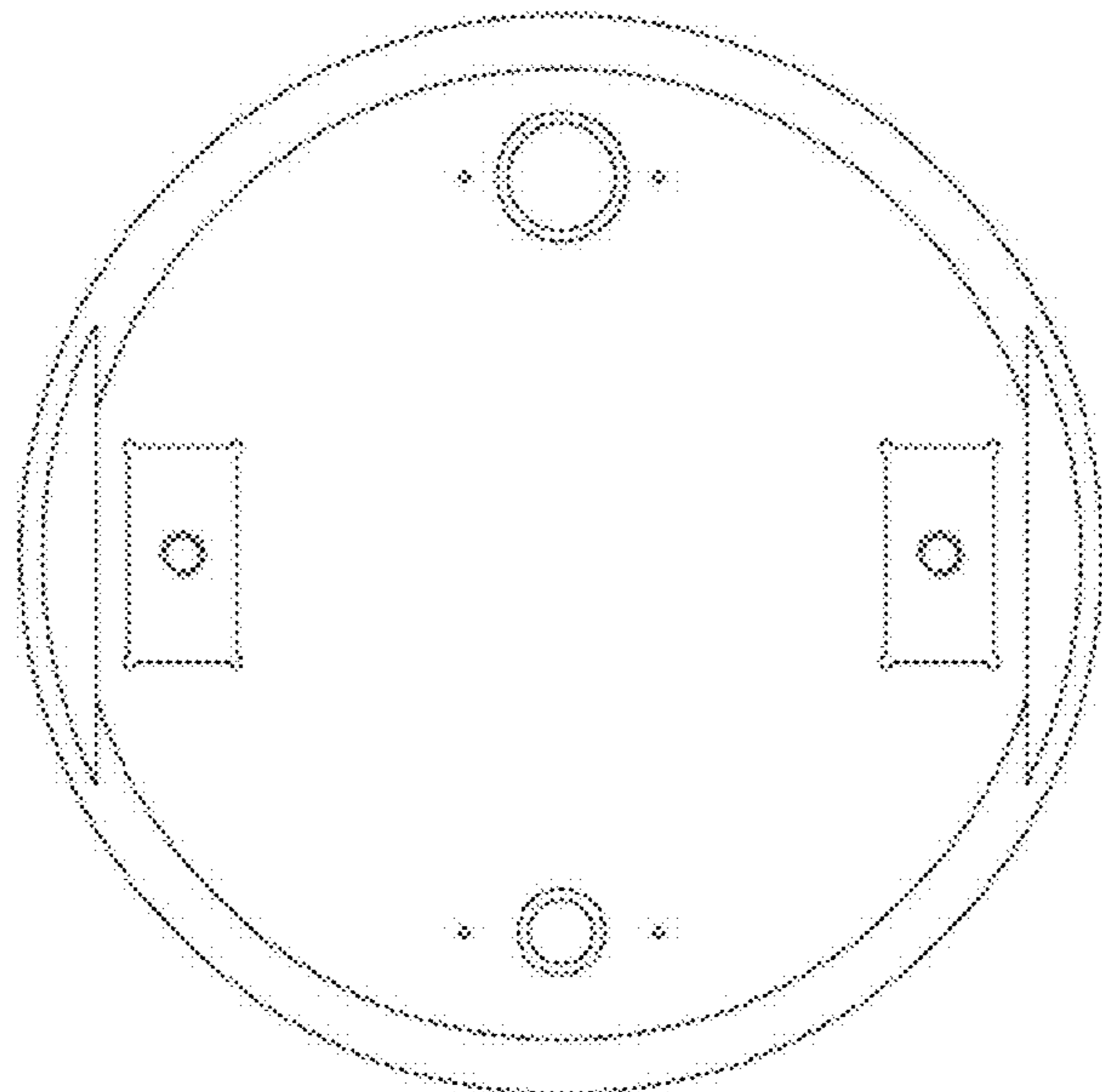


FIG. 8

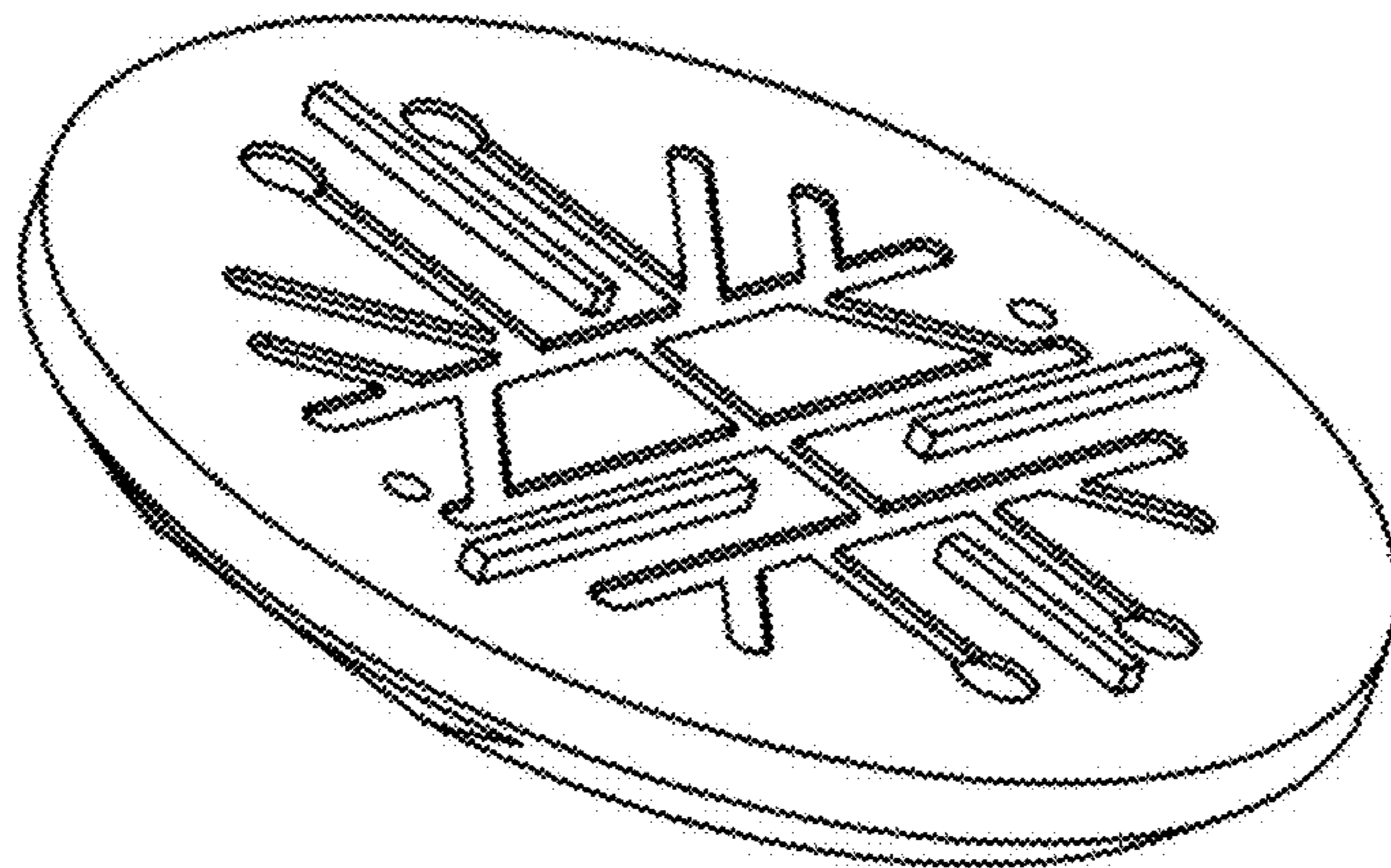
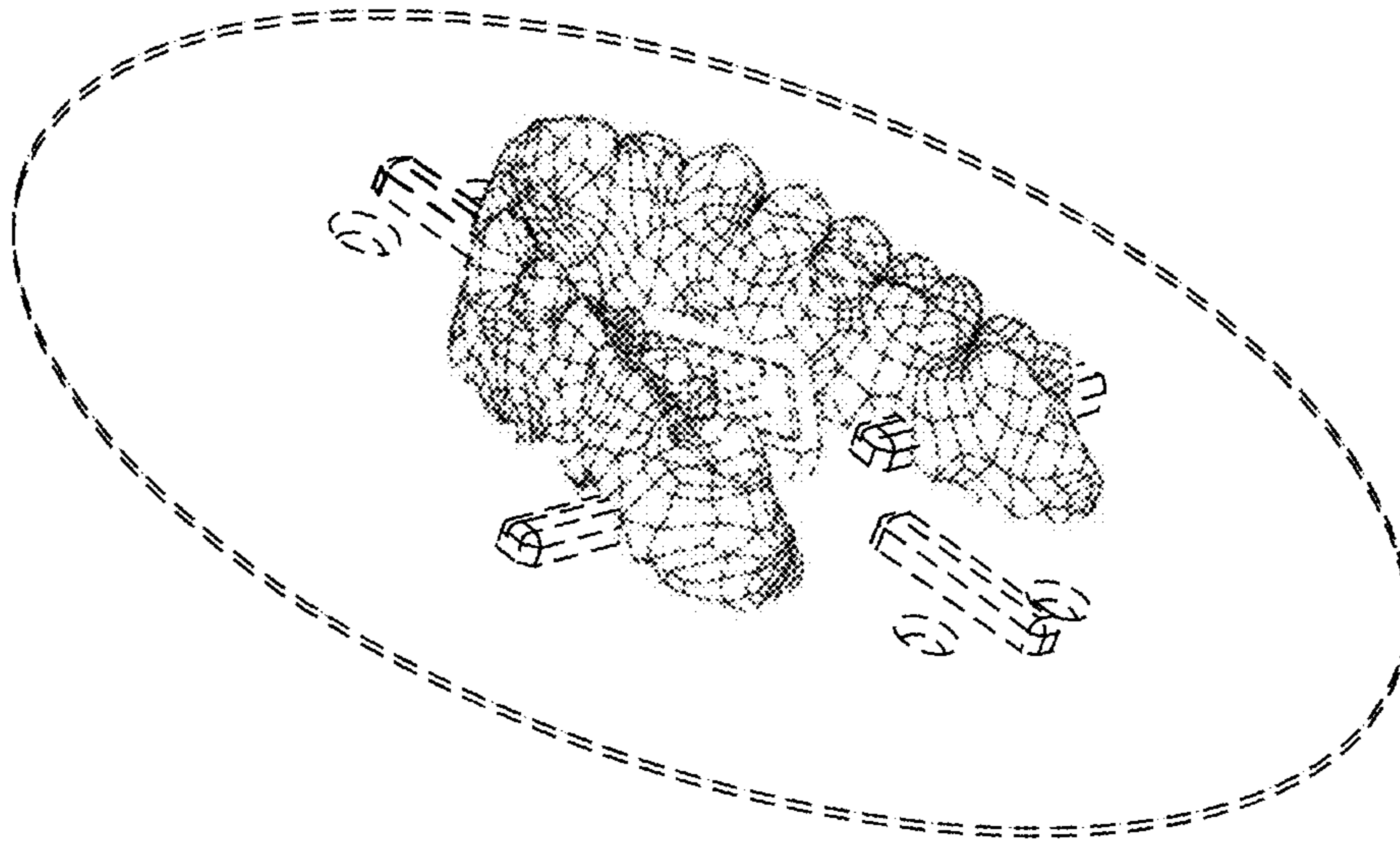


FIG. 9