



US00D974564S

(12) **United States Design Patent**
Stafford

(10) **Patent No.:** **US D974,564 S**
(45) **Date of Patent:** **** Jan. 3, 2023**

- (54) **ANALYTE SENSOR DEVICE**
- (71) Applicant: **ABBOTT DIABETES CARE INC.**,
Alameda, CA (US)
- (72) Inventor: **Gary Ashley Stafford**, Hayward, CA
(US)
- (73) Assignee: **ABBOTT DIABETES CARE INC.**,
Alameda, CA (US)
- (**) Term: **15 Years**
- (21) Appl. No.: **29/777,143**
- (22) Filed: **Apr. 2, 2021**

Related U.S. Application Data

- (63) Continuation of application No. 16/443,446, filed on Jun. 17, 2019, which is a continuation of application No. 15/786,272, filed on Oct. 17, 2017, now Pat. No. 10,362,972, which is a continuation of application No. 14/498,895, filed on Sep. 26, 2014, now Pat. No. 9,808,186, which is a continuation of application No. 13/717,501, filed on Dec. 17, 2012, now Pat. No. 8,862,198, which is a continuation of application No. 11/530,472, filed on Sep. 10, 2006, now Pat. No. 8,333,714.
- (51) **LOC (14) Cl.** **24-02**
- (52) **U.S. Cl.**
USPC **D24/169**; D10/81
- (58) **Field of Classification Search**
USPC D24/188, 189, 169, 108, 233, 231;
D9/415; D14/434, 435.1, 435, 385, 240,
D14/137, 341, 440; D10/81, 70, 77, 78;
D12/400, 106, 96, 89, 174, 167
CPC A61B 17/3468; A61B 5/14532; A61B
5/14865; A61B 2017/00004; A61B
5/0002; A61B 5/6833; A61B 5/14507;
A61B 5/1451; A61B 5/20; A61B
2560/063

See application file for complete search history.

- (56) **References Cited**
- U.S. PATENT DOCUMENTS
- 3,519,128 A * 7/1970 Swanberg B65D 73/0092
206/771
- 4,573,994 A 3/1986 Fischell et al.
- D360,826 S * 8/1995 Harman D9/415
- 5,569,186 A 10/1996 Lord et al.
- (Continued)

FOREIGN PATENT DOCUMENTS

WO 2004103170 12/2004

OTHER PUBLICATIONS

San Francisco Biohackers are Wearing Implants Made for Diabetes in the Pursuit of Human Enhancement', Insider, publication date Jan. 16, 2017, (online) URL: <https://www.businessinsider.com/san-francisco-biohacking-continuous-glucose-monitors-2017-1> (Year: 2017).*

(Continued)

Primary Examiner — Barbara Fox
Assistant Examiner — Antoinette Martine Suiter
(74) *Attorney, Agent, or Firm* — McAndrews Held & Malloy, Ltd.

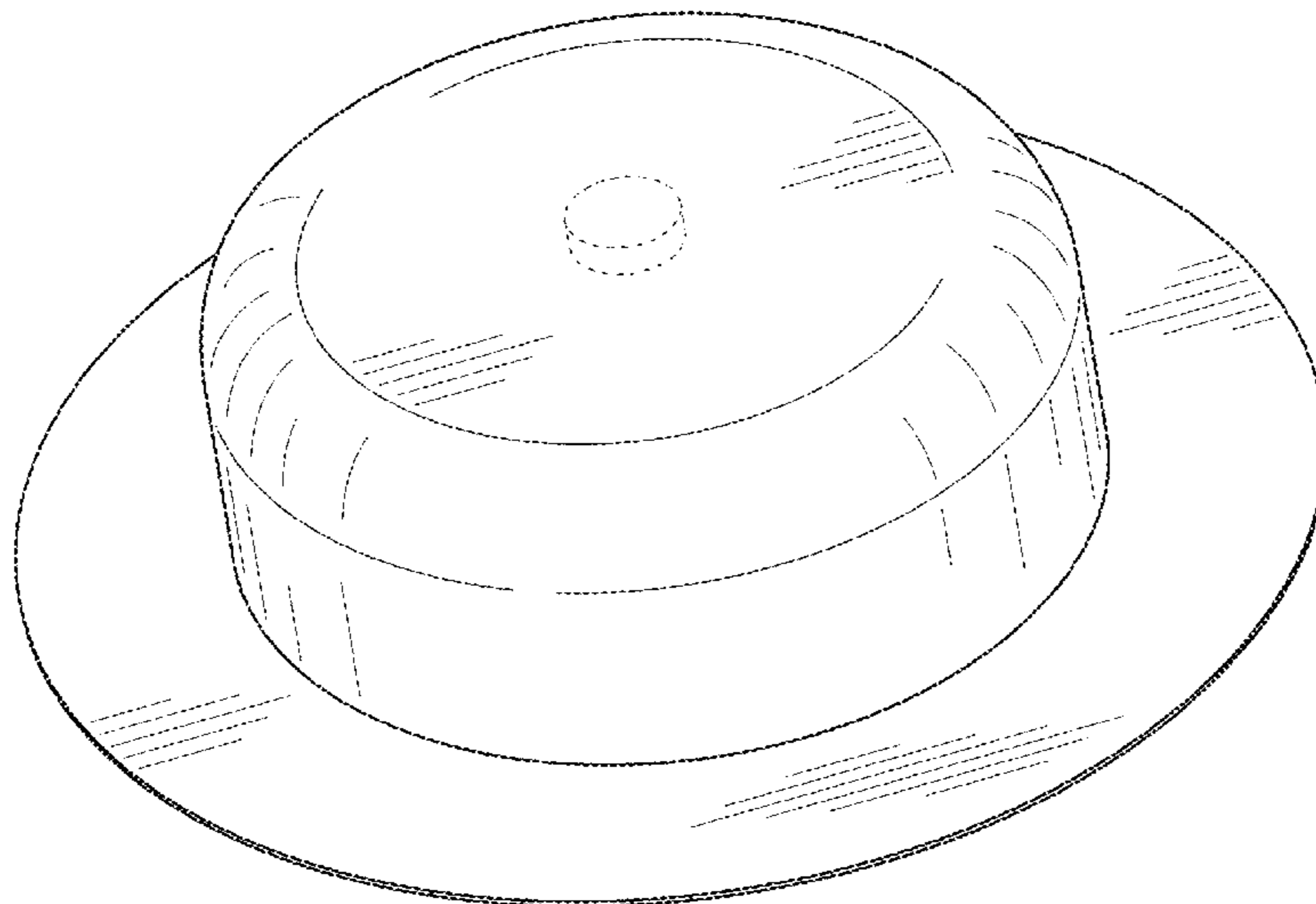
(57) **CLAIM**

The ornamental design for an analyte sensor device, as shown and described.

DESCRIPTION

FIG. 1 is a top perspective view of an analyte sensor device showing my new design;
FIG. 2 is a front elevation view thereof;
FIG. 3 is a top plan view thereof; and,
FIG. 4 is a bottom plan view thereof.
The dashed broken lines in the figures illustrate portions of the analyte sensor device that form no part of the claimed design.

1 Claim, 4 Drawing Sheets



(56)

References Cited

U.S. PATENT DOCUMENTS

D387,977 S * 12/1997 Kallgren D9/732
 5,711,861 A 1/1998 Ward et al.
 5,800,420 A 9/1998 Gross et al.
 5,807,375 A 9/1998 Gross et al.
 5,814,020 A 9/1998 Gross
 5,820,622 A 10/1998 Gross et al.
 5,851,197 A 12/1998 Marano et al.
 5,858,001 A 1/1999 Tsals et al.
 5,957,854 A 9/1999 Besson et al.
 D414,694 S * 10/1999 Richter D9/439
 5,964,993 A 10/1999 Blubaugh, Jr. et al.
 5,997,501 A 12/1999 Gross et al.
 6,175,752 B1 1/2001 Say et al.
 6,186,982 B1 2/2001 Gross et al.
 6,212,416 B1 4/2001 Ward et al.
 6,484,045 B1 11/2002 Holker et al.
 6,561,978 B1 5/2003 Conn et al.
 6,562,001 B2 5/2003 Lebel et al.
 6,564,105 B2 5/2003 Starkweather et al.
 6,790,178 B1 9/2004 Mault et al.
 6,953,589 B1 10/2005 Trautman et al.
 7,134,999 B2 11/2006 Brauker et al.
 7,163,511 B2 1/2007 Conn et al.
 7,329,239 B2 2/2008 Safabash et al.
 7,914,450 B2 * 3/2011 Goode, Jr. A61B 5/14532
 600/347
 D659,020 S * 5/2012 Kemner D9/732
 D683,209 S * 5/2013 Gottschalk D9/415
 D688,570 S * 8/2013 Logue D9/732
 D731,334 S * 6/2015 Fiedler D10/70
 D747,110 S * 1/2016 Olson D6/300
 D773,947 S * 12/2016 Scarcella D10/104.1
 D796,355 S * 9/2017 Cho D10/70
 D829,259 S * 9/2018 Persson D16/203
 D830,870 S * 10/2018 Shepher D10/116.1
 D837,863 S * 1/2019 Persson D16/203
 10,213,141 B2 * 2/2019 Cole A61B 5/0015
 D885,210 S * 5/2020 Siminoff D10/101
 D923,072 S * 6/2021 Persson D16/203
 D926,325 S * 7/2021 Barry D24/169
 D932,008 S * 9/2021 Shan D24/134
 D939,979 S * 1/2022 Fu D10/70
 11,213,226 B2 * 1/2022 Fennell A61B 5/14546

2003/0100040 A1 5/2003 Bonnecaze et al.
 2003/0144581 A1 7/2003 Conn et al.
 2003/0187338 A1 10/2003 Say et al.
 2004/0116865 A1 6/2004 Bengtsson
 2004/0116866 A1 6/2004 Gorman et al.
 2004/0193090 A1 9/2004 Lebel et al.
 2005/0090725 A1 4/2005 Page et al.
 2006/0036140 A1 2/2006 Brister et al.
 2007/0163880 A1 7/2007 Woo et al.
 2007/0173706 A1 7/2007 Neinast et al.
 2007/0203966 A1 8/2007 Brauker et al.
 2007/0213611 A1 9/2007 Simpson et al.
 2007/0235331 A1 10/2007 Simpson et al.
 2008/0021666 A1 1/2008 Goode, Jr. et al.
 2008/0033254 A1 2/2008 Kamath et al.
 2008/0097246 A1 * 4/2008 Stafford A61M 5/1723
 600/584
 2011/0213225 A1 * 9/2011 Bernstein A61B 5/0022
 600/309
 2011/0319733 A1 * 12/2011 Stafford A61B 5/6833
 600/309
 2012/0145586 A1 * 6/2012 Doyle B65D 75/326
 206/531
 2012/0253145 A1 * 10/2012 Stafford A61B 5/6849
 600/309
 2013/0160408 A1 * 6/2013 Neff B65D 75/323
 206/532
 2013/0161231 A1 * 6/2013 Haering B65B 5/02
 206/704
 2016/0302707 A1 * 10/2016 Pesach A61B 5/14546
 2018/0235520 A1 * 8/2018 Rao A61B 5/00
 2019/0193928 A1 * 6/2019 Broen B65D 81/3261
 2019/0281956 A1 * 9/2019 Lee B65D 75/5838
 2020/0196919 A1 * 6/2020 Rao A61B 5/14865
 2021/0204841 A1 * 7/2021 Thomas A61B 5/0022
 2022/0031244 A1 * 2/2022 Windmiller A61B 5/14514

OTHER PUBLICATIONS

The Abbott Diabetes Care Symposium on the Occasion of the 50th meeting of the European Association for the Study of Diabetes, Vienna, Austria (Sep. 15, 2014), uploaded video on YouTube, Sep. 15, 2014, (online) URL: <https://www.youtube.com/watch?v=JH6smeMTKI0> (Year: 2014).*

* cited by examiner

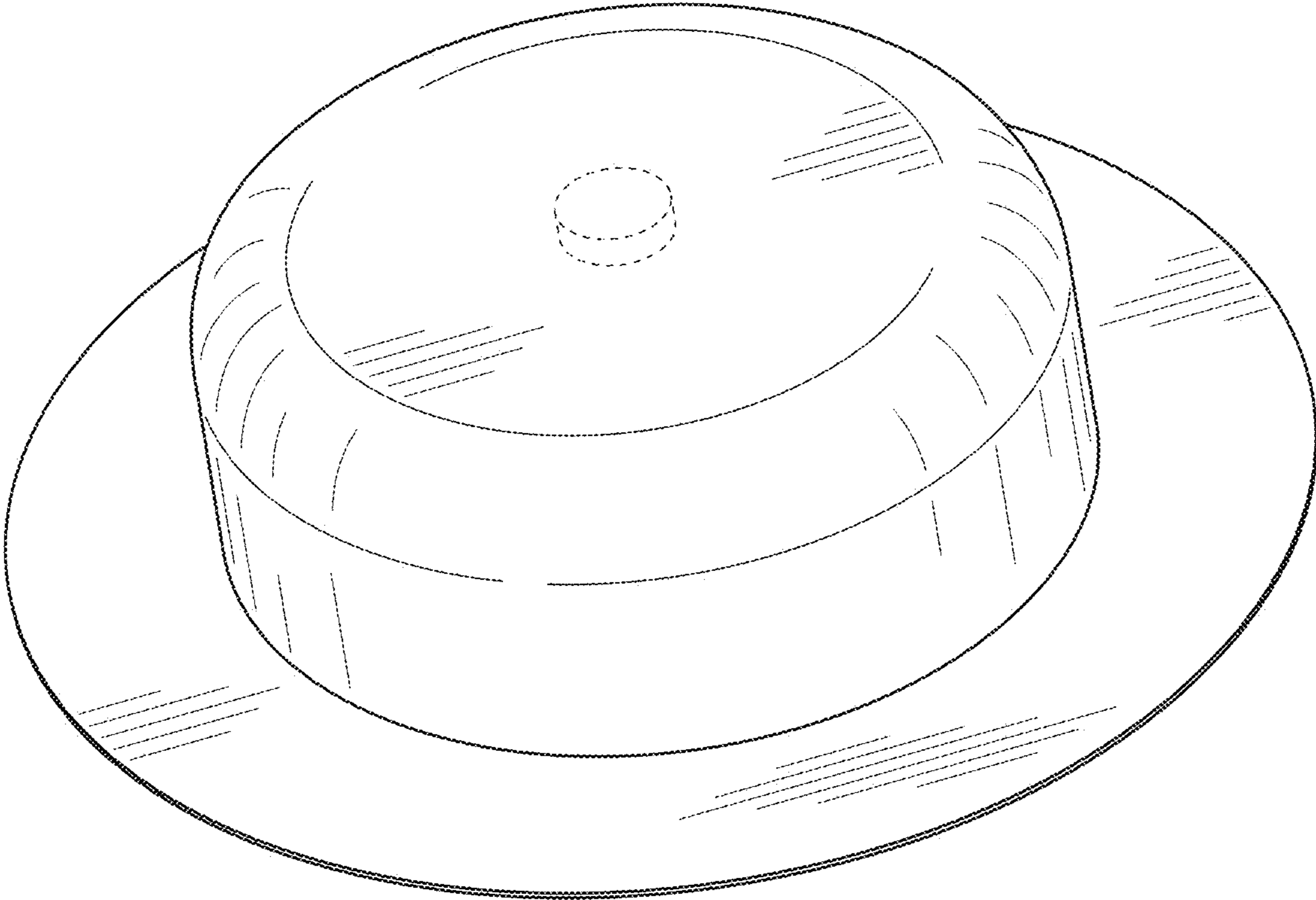


FIG. 1

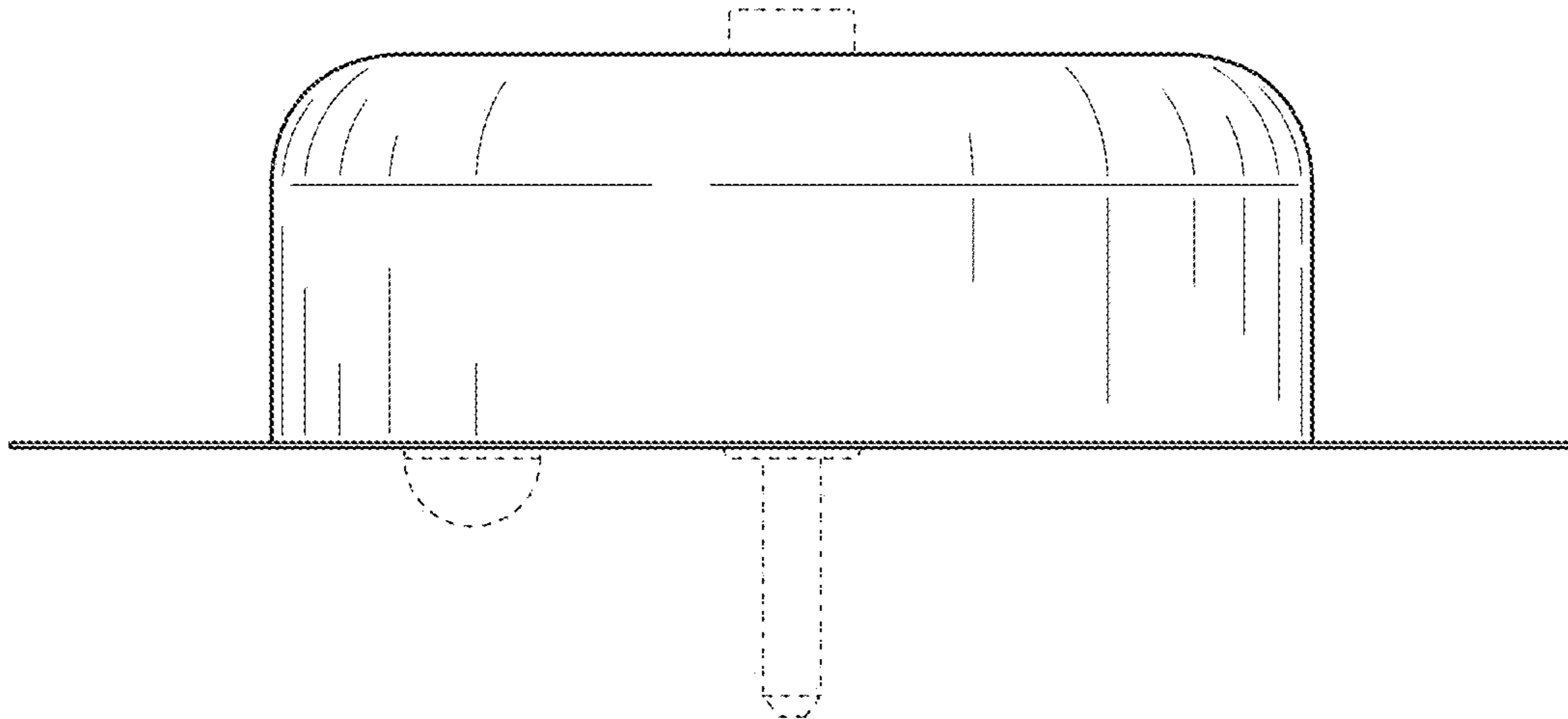


FIG. 2

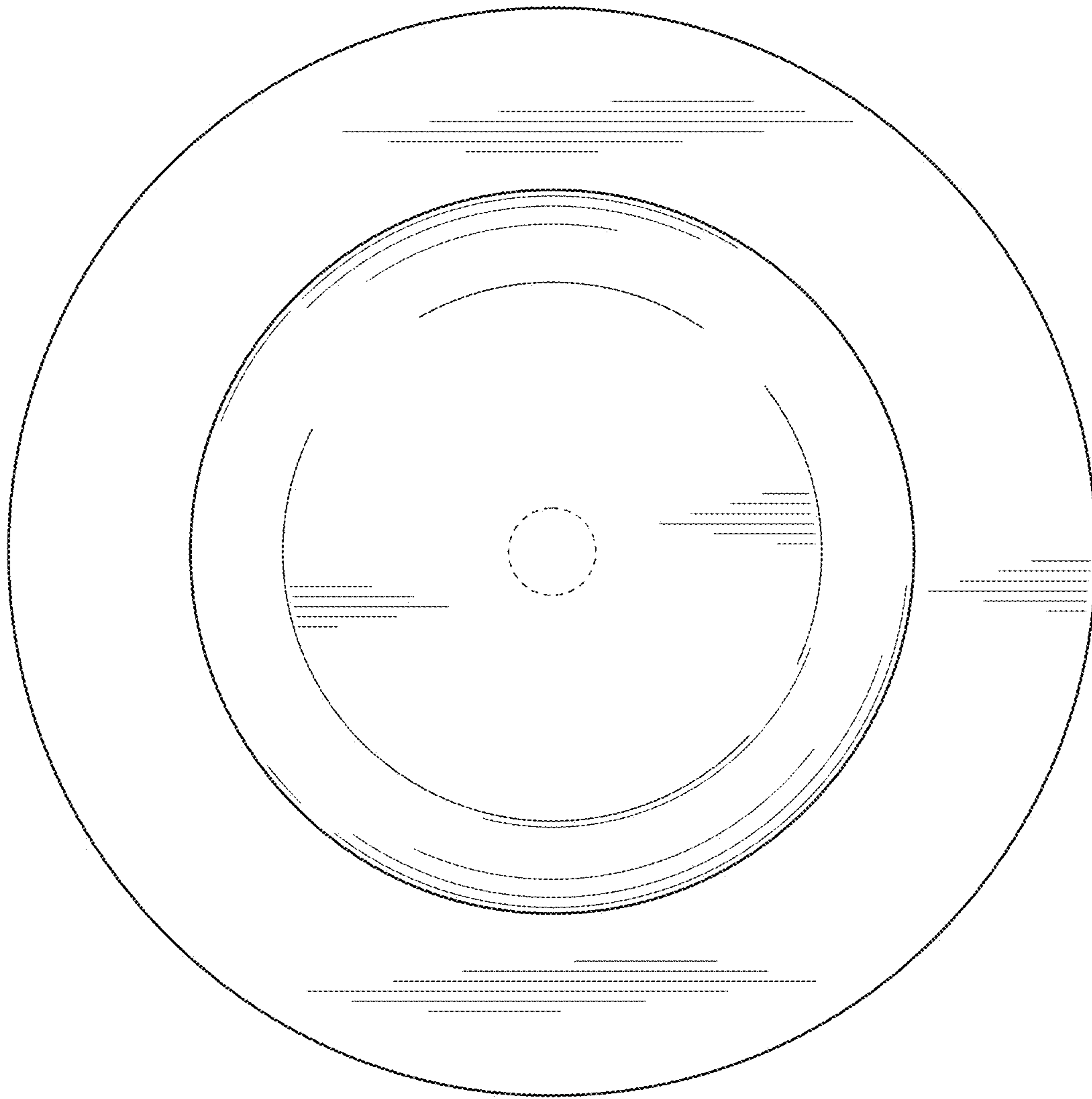


FIG. 3

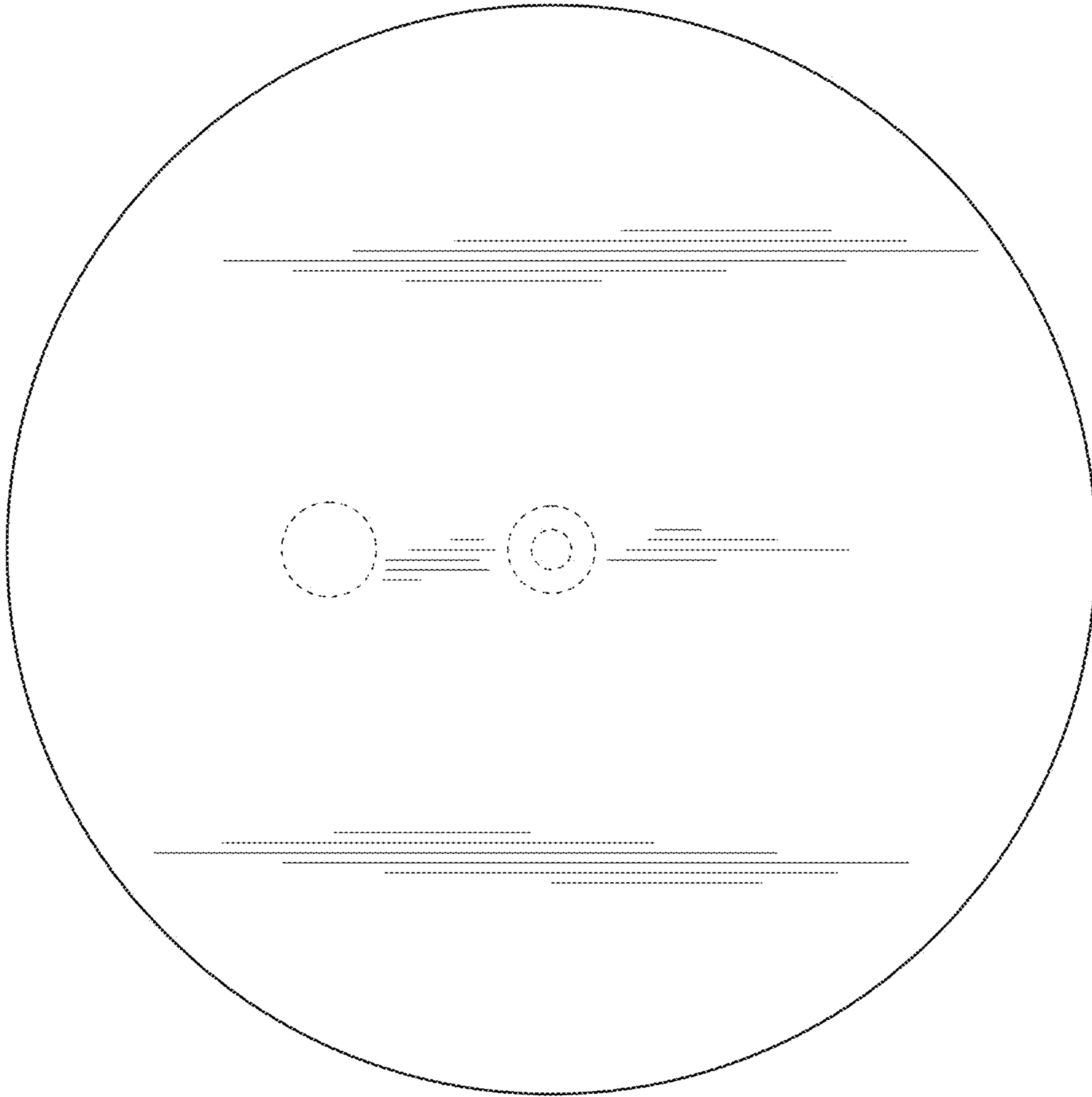


FIG. 4



US00D974564C1

(12) **EX PARTE REEXAMINATION CERTIFICATE** (12824th)
United States Patent
Stafford

(10) **Number:** **US D974,564 C1**
(45) **Certificate Issued:** **Jan. 24, 2025**

- (54) **ANALYTE SENSOR DEVICE**
- (71) Applicant: **ABBOTT DIABETES CARE INC.**,
Alameda, CA (US)
- (72) Inventor: **Gary Ashley Stafford**, Hayward, CA
(US)
- (73) Assignee: **ABBOTT DIABETES CARE INC.**,
Alameda, CA (US)

No. 15/786,272, filed on Oct. 17, 2017, now Pat. No. 10,362,972, which is a continuation of application No. 14/498,895, filed on Sep. 26, 2014, now Pat. No. 9,808,186, which is a continuation of application No. 13/717,501, filed on Dec. 17, 2012, now Pat. No. 8,862,198, which is a continuation of application No. 11/530,472, filed on Sep. 10, 2006, now Pat. No. 8,333,714.

Reexamination Request:
No. 90/019,544, Jun. 19, 2024

- (51) **LOC (15) Cl.** **24-01**
- (52) **U.S. Cl.**
USPC **D24/169**
- (58) **Field of Classification Search**
USPC D24/169
CPC A61B 5/14532
See application file for complete search history.

Reexamination Certificate for:
Patent No.: **Des. 974,564**
Issued: **Jan. 3, 2023**
Appl. No.: **29/777,143**
Filed: **Apr. 2, 2021**

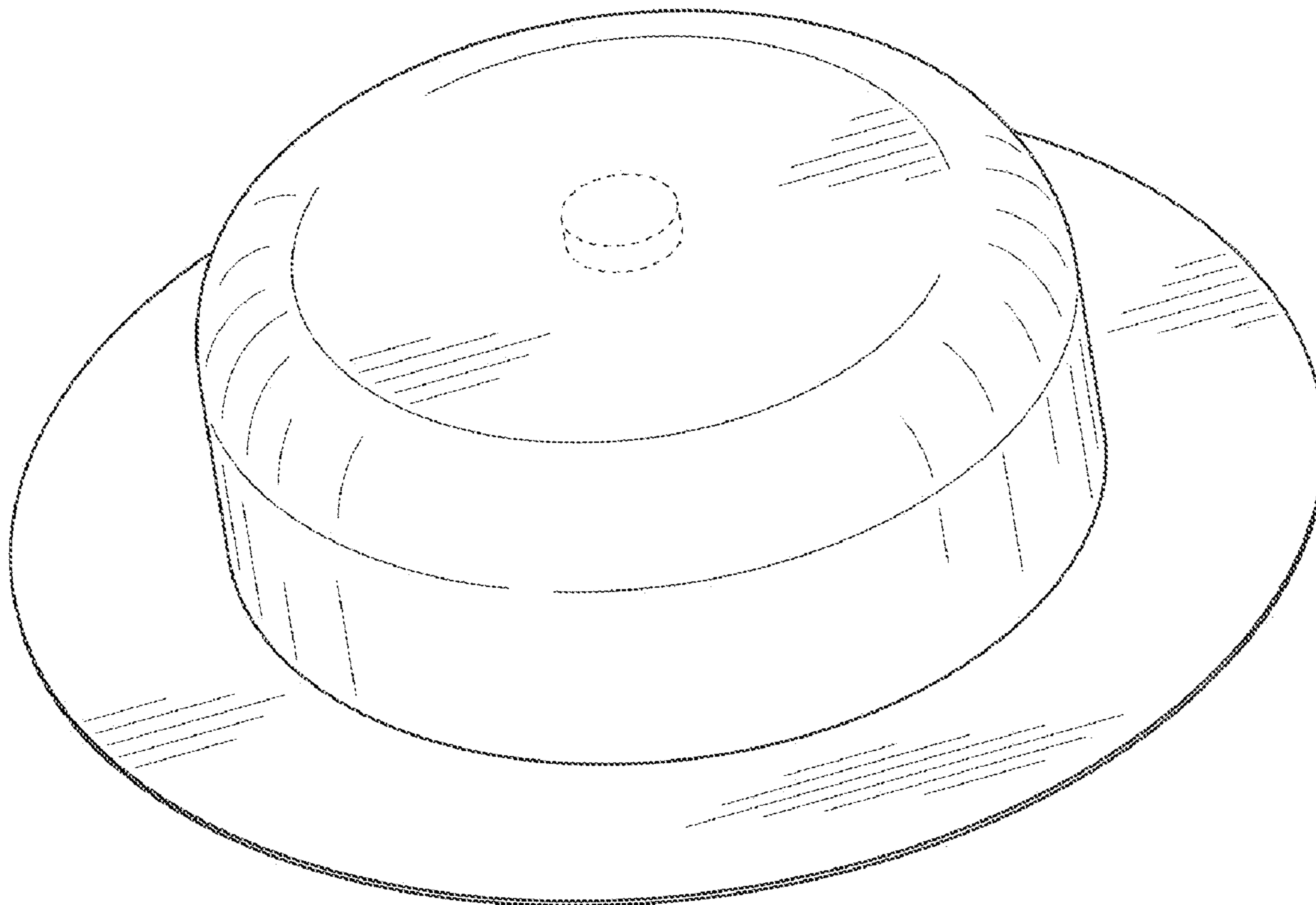
(56) **References Cited**

To view the complete listing of prior art documents cited during the proceeding for Reexamination Control Number 90/019,544, please refer to the USPTO's Patent Electronic System.

Related U.S. Application Data

Primary Examiner — Kevin K Rudzinski

- (63) Continuation of application No. 16/443,446, filed on Jun. 17, 2019, which is a continuation of application



1
EX PARTE
REEXAMINATION CERTIFICATE

NO AMENDMENTS HAVE BEEN MADE TO 5
THE PATENT

AS A RESULT OF REEXAMINATION, IT HAS BEEN
DETERMINED THAT:

The patentability of claim 1 is confirmed. 10

* * * * *