



US00D974559S

(12) **United States Design Patent**  
**Bairstow et al.**

(10) **Patent No.:** **US D974,559 S**

(45) **Date of Patent:** **\*\* Jan. 3, 2023**

(54) **ORTHOPAEDIC FIXATION DEVICE**

(71) Applicant: **FIELD ORTHOPAEDICS PTY LTD,**  
Brisbane (AU)

(72) Inventors: **Jarred Bairstow,** Brisbane (AU);  
**Shanthan Pather,** Brisbane (AU)

(73) Assignee: **FIELD ORTHOPAEDICS PTY LTD,**  
Brisbane QLD (AU)

(\*\*) Term: **15 Years**

(21) Appl. No.: **29/652,344**

(22) Filed: **Jul. 23, 2020**

(51) **LOC (14) Cl.** ..... **24-02**

(52) **U.S. Cl.**  
USPC ..... **D24/145; D24/155**

(58) **Field of Classification Search**  
USPC ..... D24/145, 155  
CPC ..... A61B 17/863; A61B 17/7225; A61B  
17/8685; A61B 17/7082; A61B 17/7032;  
A61B 17/7035; A61B 17/8061  
See application file for complete search history.

(56) **References Cited**

**U.S. PATENT DOCUMENTS**

4,913,134	A *	4/1990	Luque	.....	A61B 17/8061 606/289
6,001,101	A *	12/1999	Augagneur	.....	A61B 17/863 606/316
D884,178	S *	5/2020	Lauf	.....	A61B 17/7291 D24/155
D904,615	S *	12/2020	Asfora	.....	D24/155

2012/0271362	A1 *	10/2012	Martineau	.....	A61B 17/863 470/9
2014/0107714	A1 *	4/2014	Pech	.....	A61B 17/863 606/315
2014/0155943	A1 *	6/2014	Andersen	.....	A61B 17/863 606/312
2016/0015438	A1 *	1/2016	Elleby	.....	A61B 17/863 606/305
2017/0112552	A1 *	4/2017	Sinnott	.....	A61B 17/863
2018/0303529	A1 *	10/2018	Zastrozna	.....	A61B 17/863
2021/0322074	A1 *	10/2021	Pather	.....	A61B 17/863

\* cited by examiner

*Primary Examiner* — Wan Laymon

(74) *Attorney, Agent, or Firm* — Heslin Rothenberg  
Farley & Mesiti P.C.; Jacquelyn A. Graff, Esq.

(57) **CLAIM**

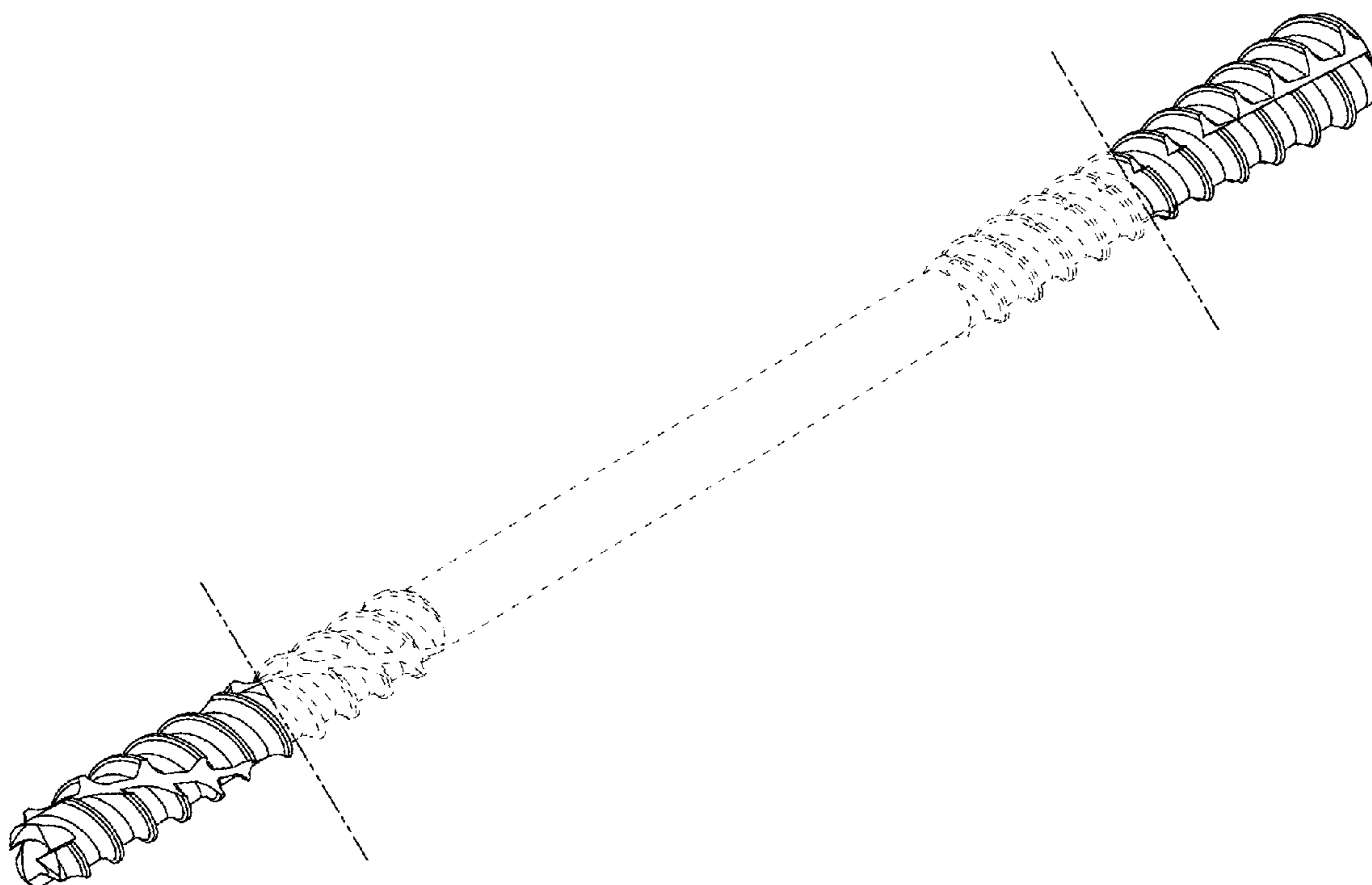
The ornamental design for an orthopaedic fixation device, as shown and described.

**DESCRIPTION**

FIG. 1 is a first side view of the orthopaedic fixation device, in accordance with the new design;  
FIG. 2 is a top view of the design of FIG. 1;  
FIG. 3 is a second side view of the design of FIG. 1;  
FIG. 4 is a bottom view of the design of FIG. 1;  
FIG. 5 is a perspective view of the design of FIG. 1;  
FIG. 6 is a first end view of the design of FIG. 1;  
FIG. 7 is a second end view of the design of FIG. 1; and,  
FIG. 8 is a second end, perspective view of the design of FIG. 1.

The broken lines in the drawings illustrate portions of the orthopaedic fixation device which form no part of the claimed design.

**1 Claim, 5 Drawing Sheets**



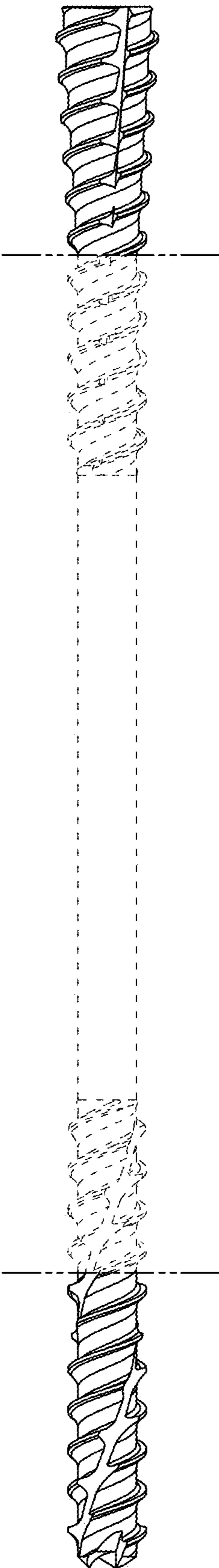


FIG. 1

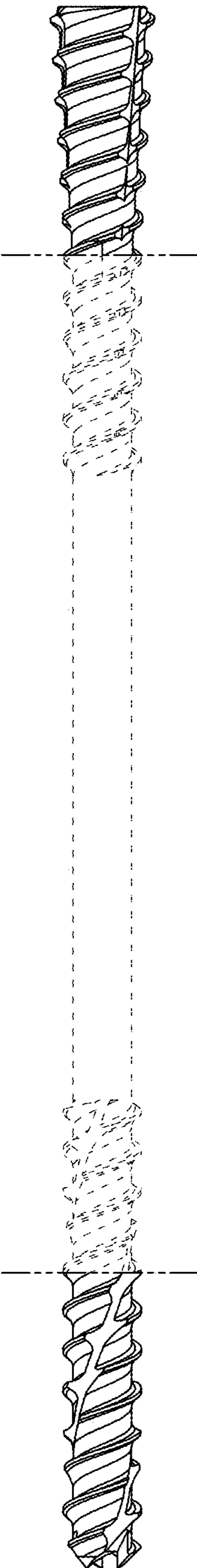


FIG. 2

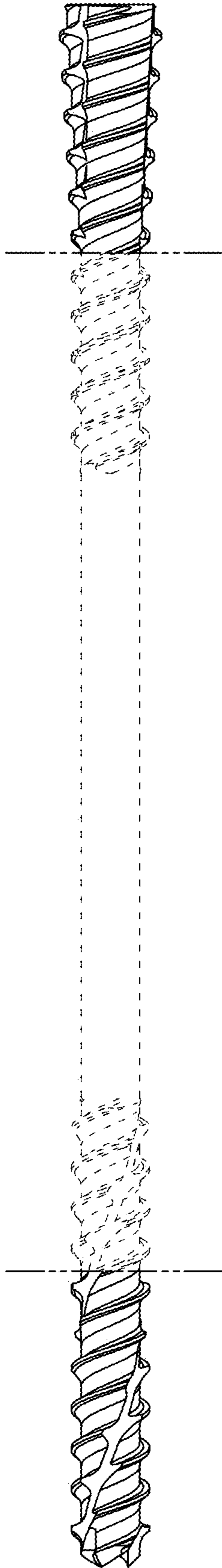


FIG. 3

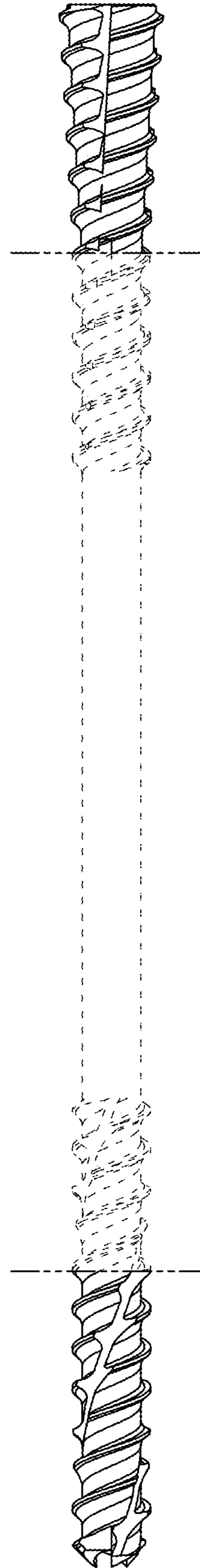


FIG. 4

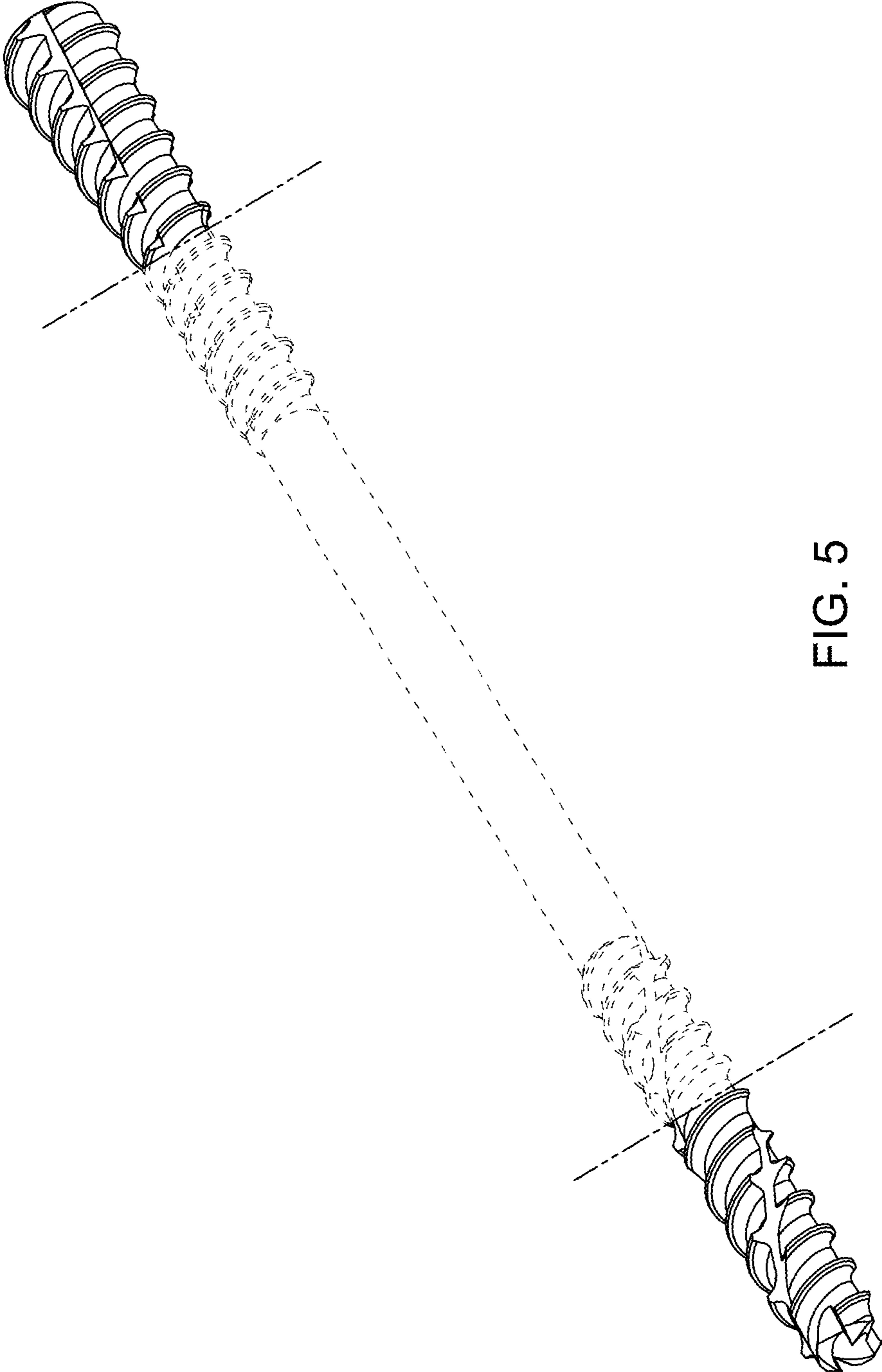


FIG. 5

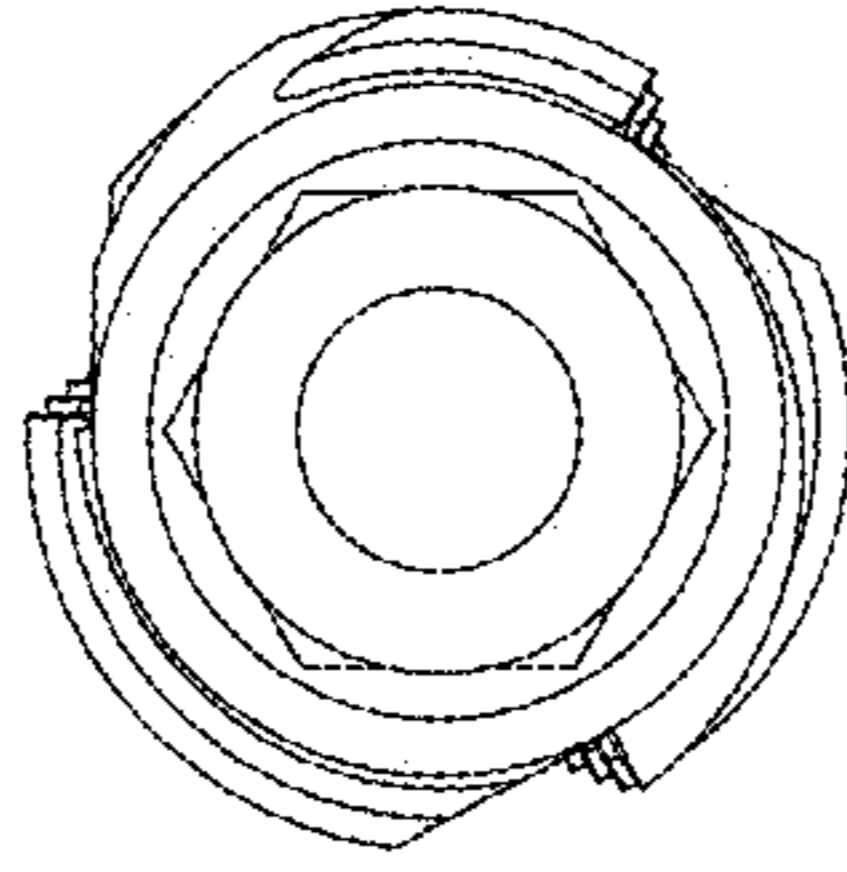


FIG. 7

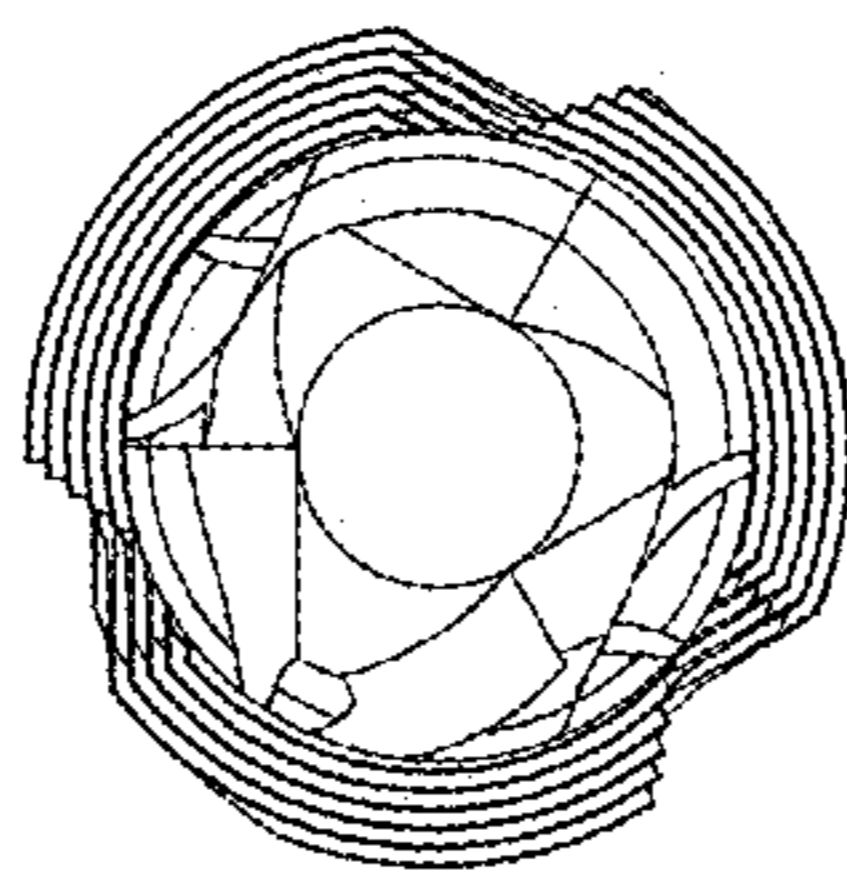


FIG. 6

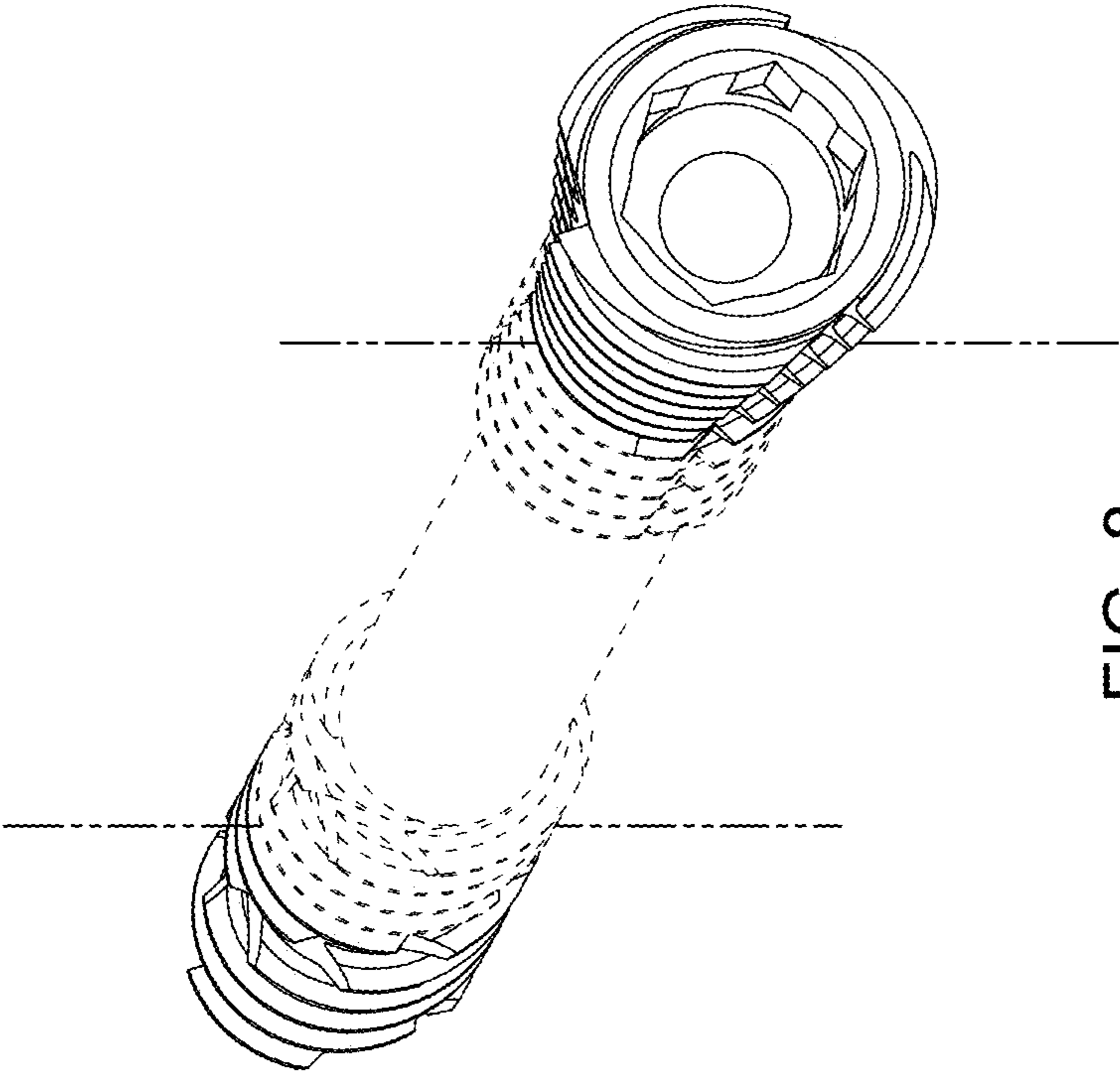


FIG. 8