



US00D974557S

(12) **United States Design Patent**  
**Behrendt et al.**

(10) **Patent No.:** **US D974,557 S**

(45) **Date of Patent:** **\*\* Jan. 3, 2023**

(54) **ROBOT ARM ADAPTER**

(71) Applicant: **KARL STORZ SE & Co. KG**,  
Tuttlingen (DE)

(72) Inventors: **Kay Behrendt**, Tuttlingen (DE); **Léon Goltzsche**, Berlin (DE); **Marcel Scheibel**, Berlin (DE)

(73) Assignee: **KARL STORZ SE & CO. KG**,  
Tuttlingen (DE)

(\*\*) Term: **15 Years**

(21) Appl. No.: **29/753,246**

(22) Filed: **Sep. 30, 2020**

(51) **LOC (14) Cl.** ..... **24-02**

(52) **U.S. Cl.**  
USPC ..... **D24/138**

(58) **Field of Classification Search**  
USPC ..... D8/14, 16, 19, 21, 82-86, 107, 34, 300,  
D8/303, 314, 372, 374, 394; D15/199;  
D24/133, 143, 146, 134, 137, 138, 142,  
D24/200

CPC ..... A61B 1/00087; A61B 1/00147; A61B  
1/00193; A61B 1/041; A61B 5/6882  
See application file for complete search history.

(56) **References Cited**

**U.S. PATENT DOCUMENTS**

D742,511 S \* 11/2015 Mott ..... D24/134  
D840,034 S \* 2/2019 Pfeffer ..... D24/146

D858,766 S \* 9/2019 Pfeffer ..... D24/143  
D865,960 S \* 11/2019 Hahn ..... D24/138  
D897,527 S \* 9/2020 Zahler ..... D24/133  
D914,207 S \* 3/2021 Stefan ..... D24/128  
D924,295 S \* 7/2021 Son ..... D15/199  
D928,210 S \* 8/2021 Graessle ..... D15/199  
D934,321 S \* 10/2021 Gupta ..... D15/199

\* cited by examiner

*Primary Examiner* — Michael C Stout

*Assistant Examiner* — Fritzgerald L Butac

(74) *Attorney, Agent, or Firm* — Eversheds Sutherland  
(US) LLP

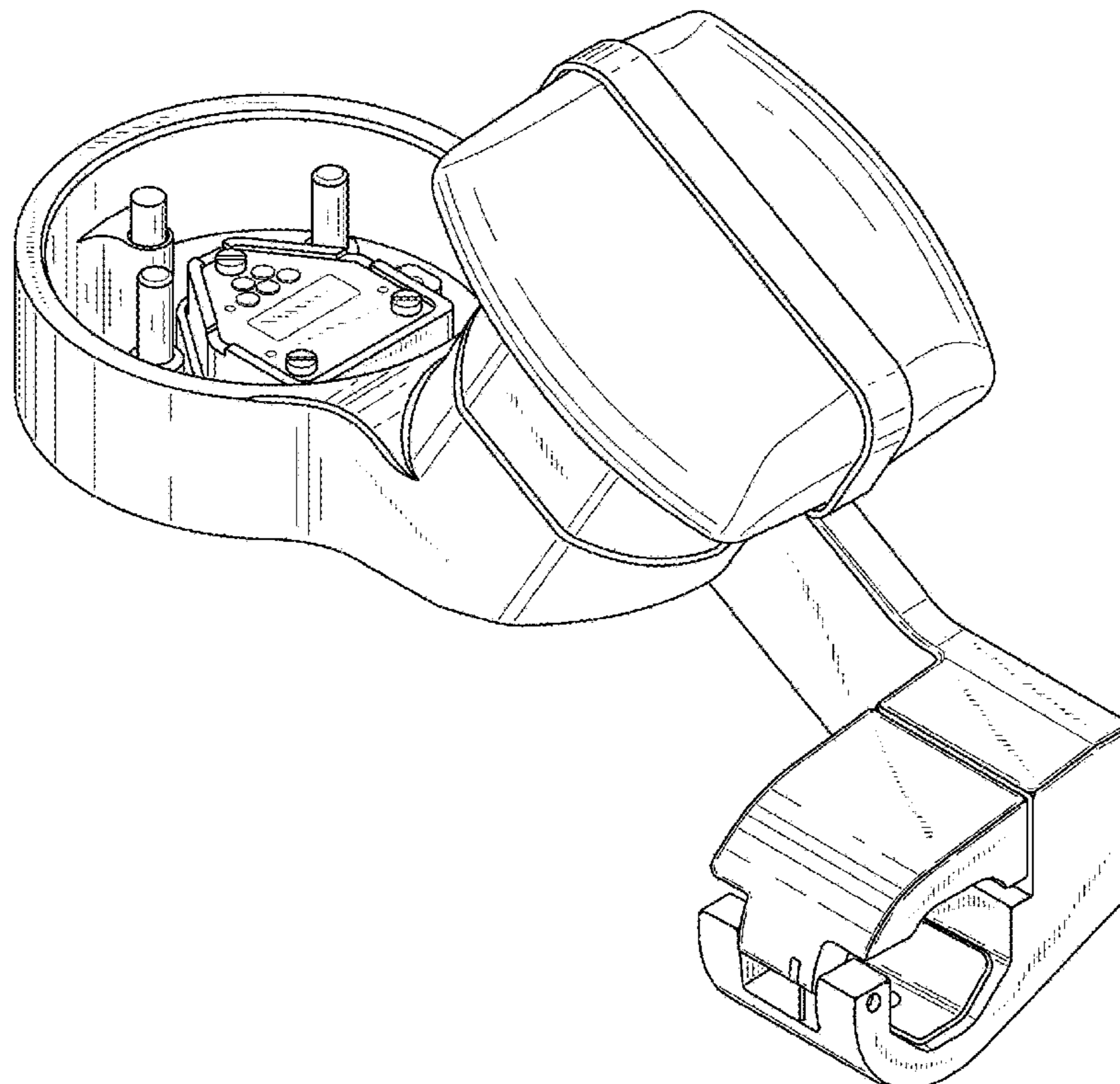
(57) **CLAIM**

The ornamental design for a robot arm adapter, as shown and described.

**DESCRIPTION**

FIG. 1 is a perspective view of a robot arm adapter showing our new design;  
FIG. 2 is a left side view thereof;  
FIG. 3 is a right side view thereof;  
FIG. 4 is a front view thereof;  
FIG. 5 is a rear view thereof;  
FIG. 6 is a top view thereof; and,  
FIG. 7 is a bottom view thereof.  
The broken lines show portions of a robot arm adapter which form no part of the claimed design.

**1 Claim, 7 Drawing Sheets**



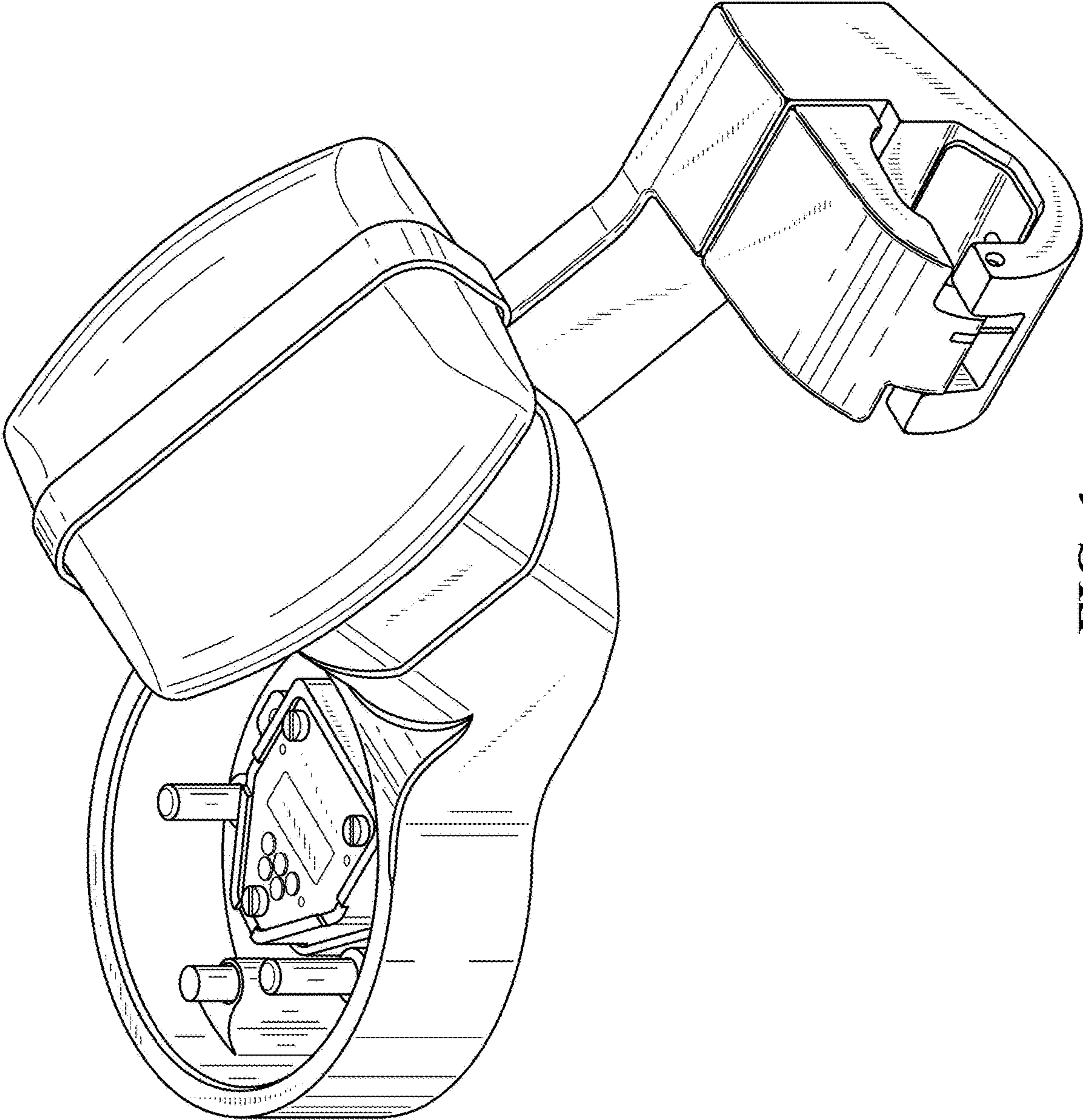


FIG. 1

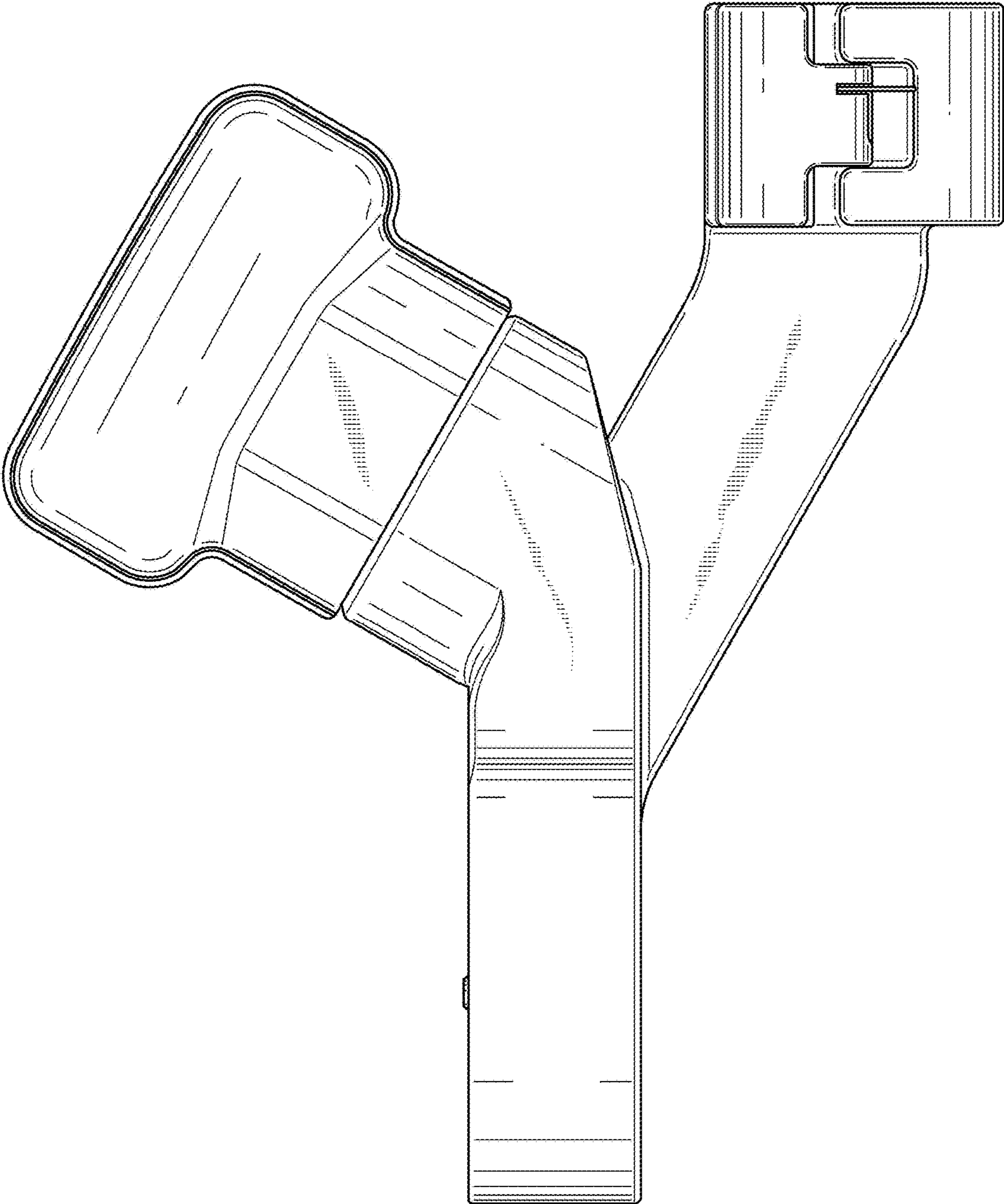


FIG. 2

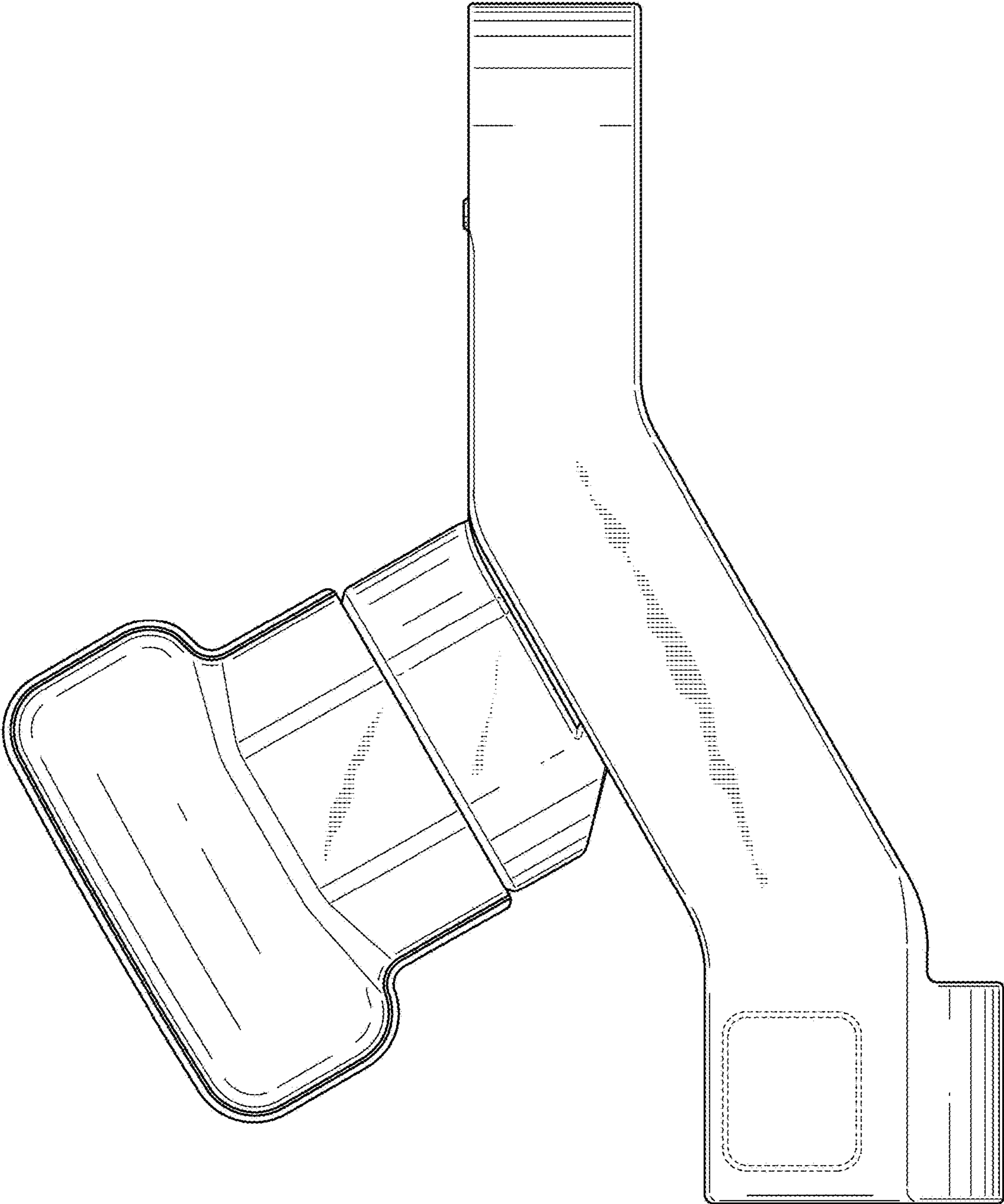


FIG. 3

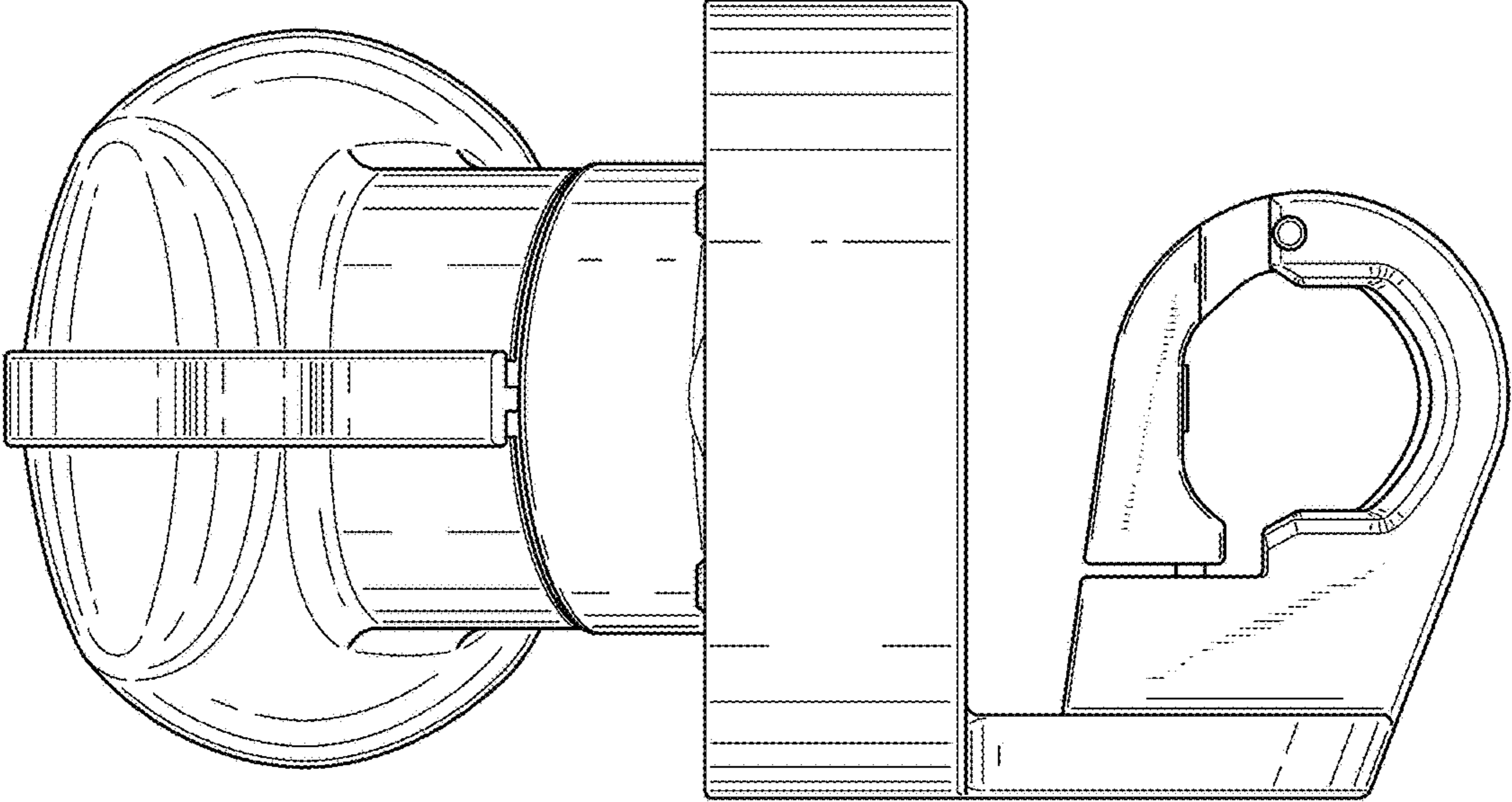


FIG. 4

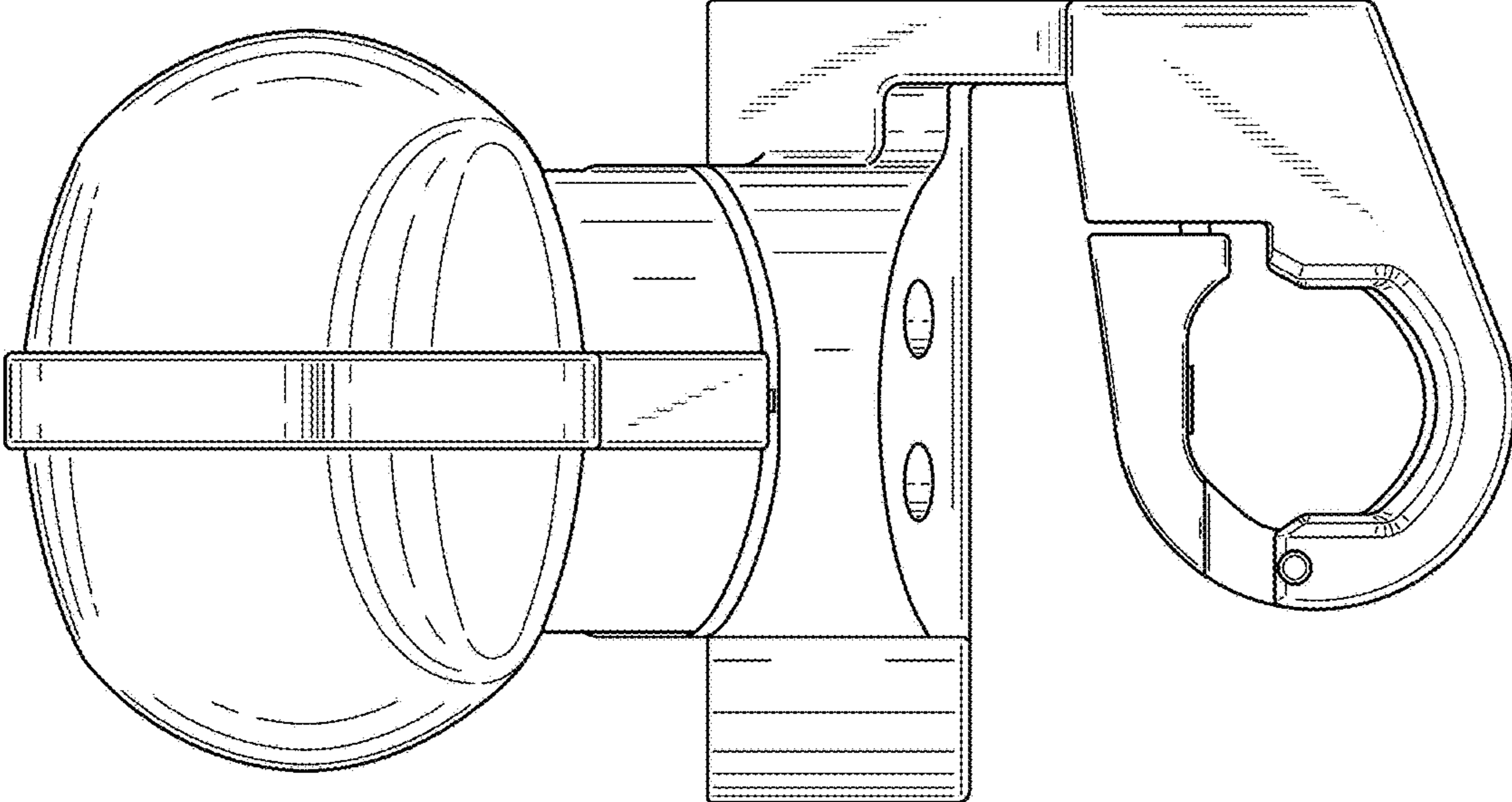


FIG. 5

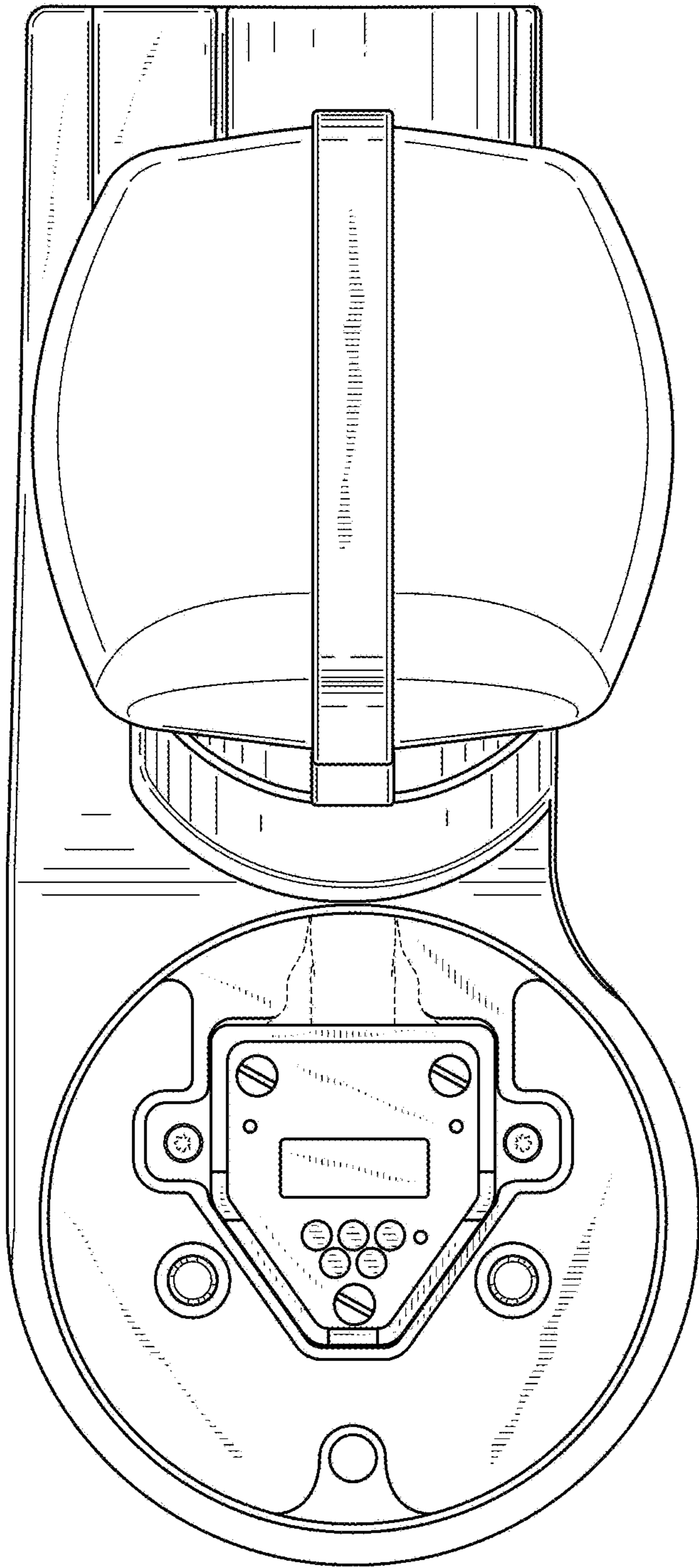


FIG. 6

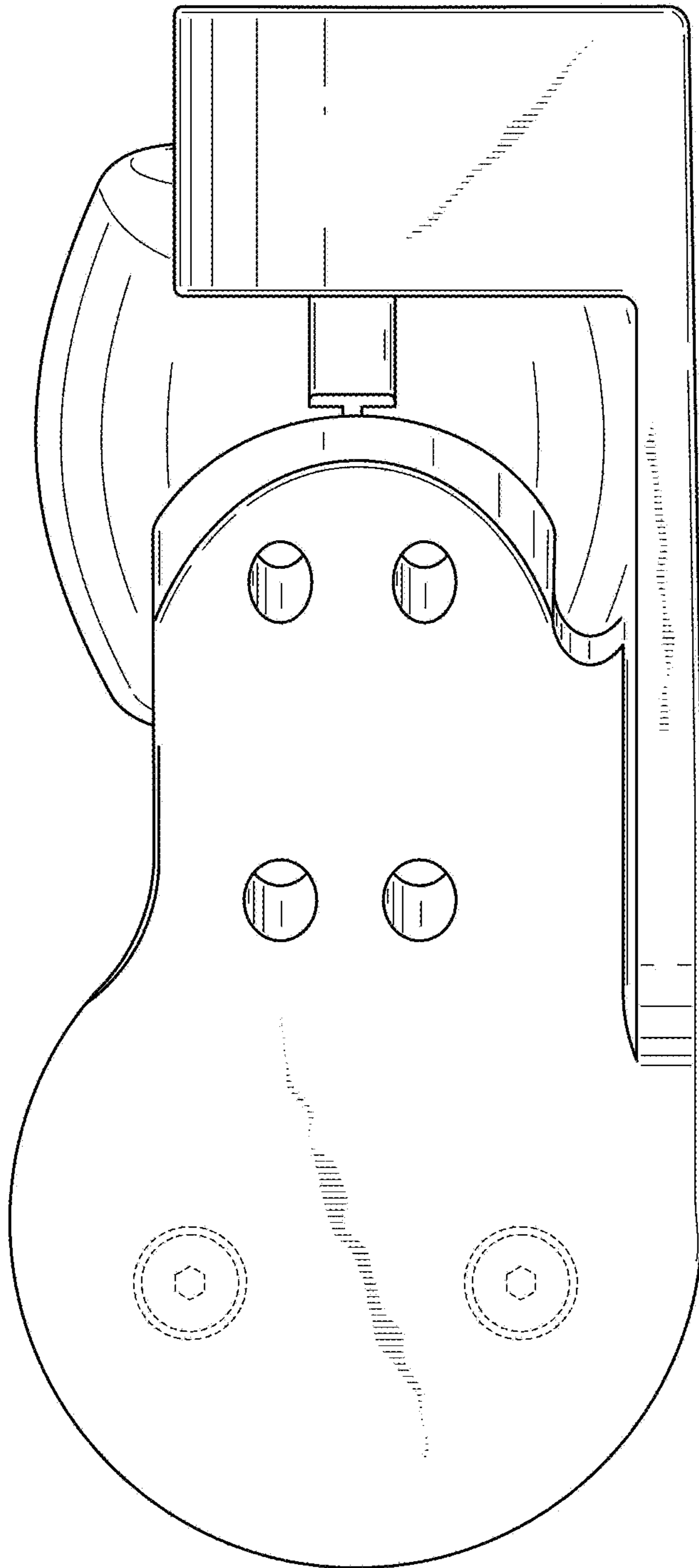


FIG. 7