



US00D974556S

(12) **United States Design Patent** (10) **Patent No.:** **US D974,556 S**
Suzuki (45) **Date of Patent:** **** Jan. 3, 2023**

(54) **ENDOSCOPE OPERATING UNIT**
(71) Applicant: **OLYMPUS CORPORATION,**
Hachioji (JP)
(72) Inventor: **Tatsuhiko Suzuki,** Hachioji (JP)
(73) Assignee: **OLYMPUS CORPORATION,**
Hachioji (JP)
(**) Term: **15 Years**

2009/0137875 A1* 5/2009 Kitagawa A61B 1/0055
600/146
2015/0366436 A1* 12/2015 Iuel A61B 1/00066
600/149
2016/0150945 A1* 6/2016 Okamoto A61B 1/2736
600/114
2016/0331214 A1* 11/2016 Fujitani A61B 1/00114
2019/0014972 A1 1/2019 Hatano et al.
2019/0216295 A1* 7/2019 Hatano A61B 1/00066
2019/0313886 A1* 10/2019 Hatano A61B 1/015
2019/0320882 A1* 10/2019 Chen A61B 1/0051
2020/0253460 A1* 8/2020 Yoshinaga A61B 1/0125
2022/0151463 A1* 5/2022 Fancher A61B 1/00147

(21) Appl. No.: **29/705,601**
(22) Filed: **Sep. 13, 2019**
(51) **LOC (14) Cl.** **24-02**
(52) **U.S. Cl.**
USPC **D24/138**
(58) **Field of Classification Search**
USPC D24/138, 127, 113
CPC A61B 17/221
See application file for complete search history.

FOREIGN PATENT DOCUMENTS

WO 2018154824 A1 8/2018

* cited by examiner

Primary Examiner — Eliza Z Harvey
(74) *Attorney, Agent, or Firm* — Kenja IP Law PC

(57) **CLAIM**

The ornamental design for an endoscope operating unit, as shown and described.

(56) **References Cited**

U.S. PATENT DOCUMENTS

D632,783 S 2/2011 Maesarapu
D683,851 S 6/2013 Greenhalgh
D709,192 S 7/2014 Czupalla et al.
D719,651 S 12/2014 Hoffmann et al.
D753,823 S 4/2016 Hayamizu
D799,036 S * 10/2017 Osada D24/138
9,775,676 B2 10/2017 Perez, III et al.
D842,992 S 3/2019 Osada
D871,574 S * 12/2019 Lohk D24/138
D871,575 S * 12/2019 Lohk D24/138
D871,576 S * 12/2019 Lohk D24/138
D886,999 S * 6/2020 Lohk D24/138
2007/0232857 A1* 10/2007 Otawara A61B 1/00177
600/129

DESCRIPTION

FIG. 1 is a front perspective view of an endoscope operating unit showing our new design;
FIG. 2 is a rear perspective view thereof;
FIG. 3 is a front view thereof;
FIG. 4 is a rear view thereof;
FIG. 5 is a right side view thereof;
FIG. 6 is a left side view thereof;
FIG. 7 is a top plan view thereof; and,
FIG. 8 is a bottom view thereof.
The broken lines show portions of the endoscope operating unit that form no part of the claimed design.

1 Claim, 8 Drawing Sheets

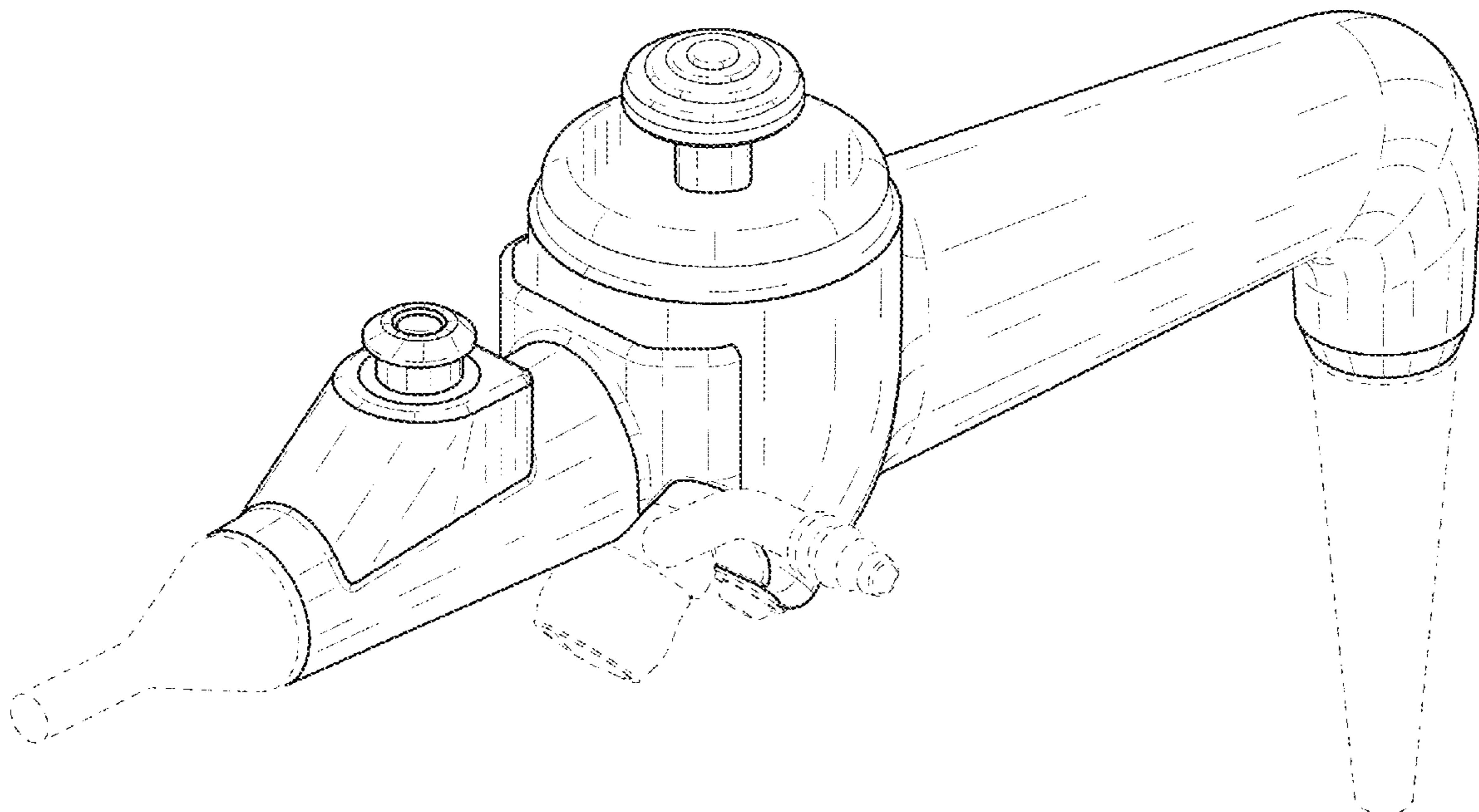
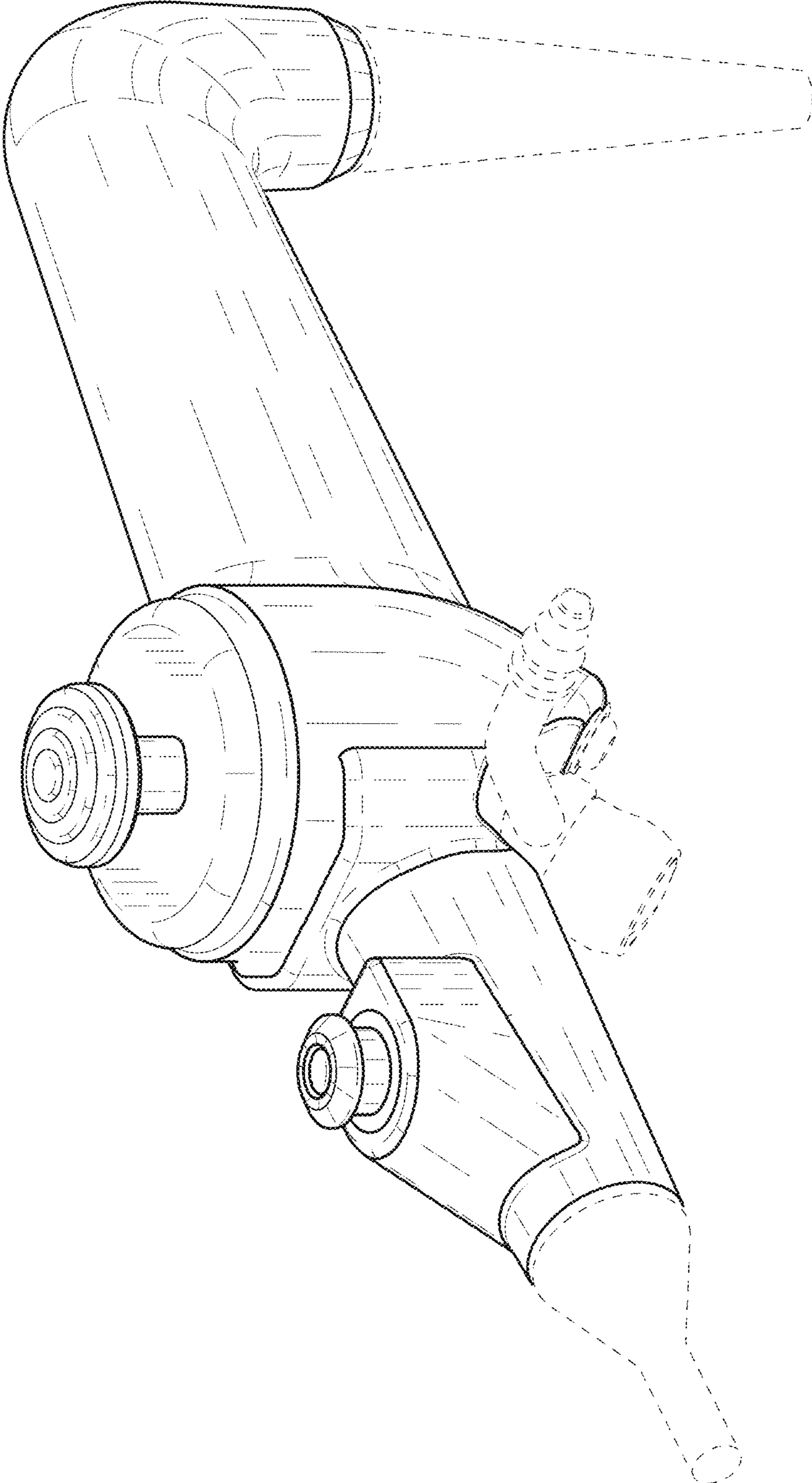


FIG. 1



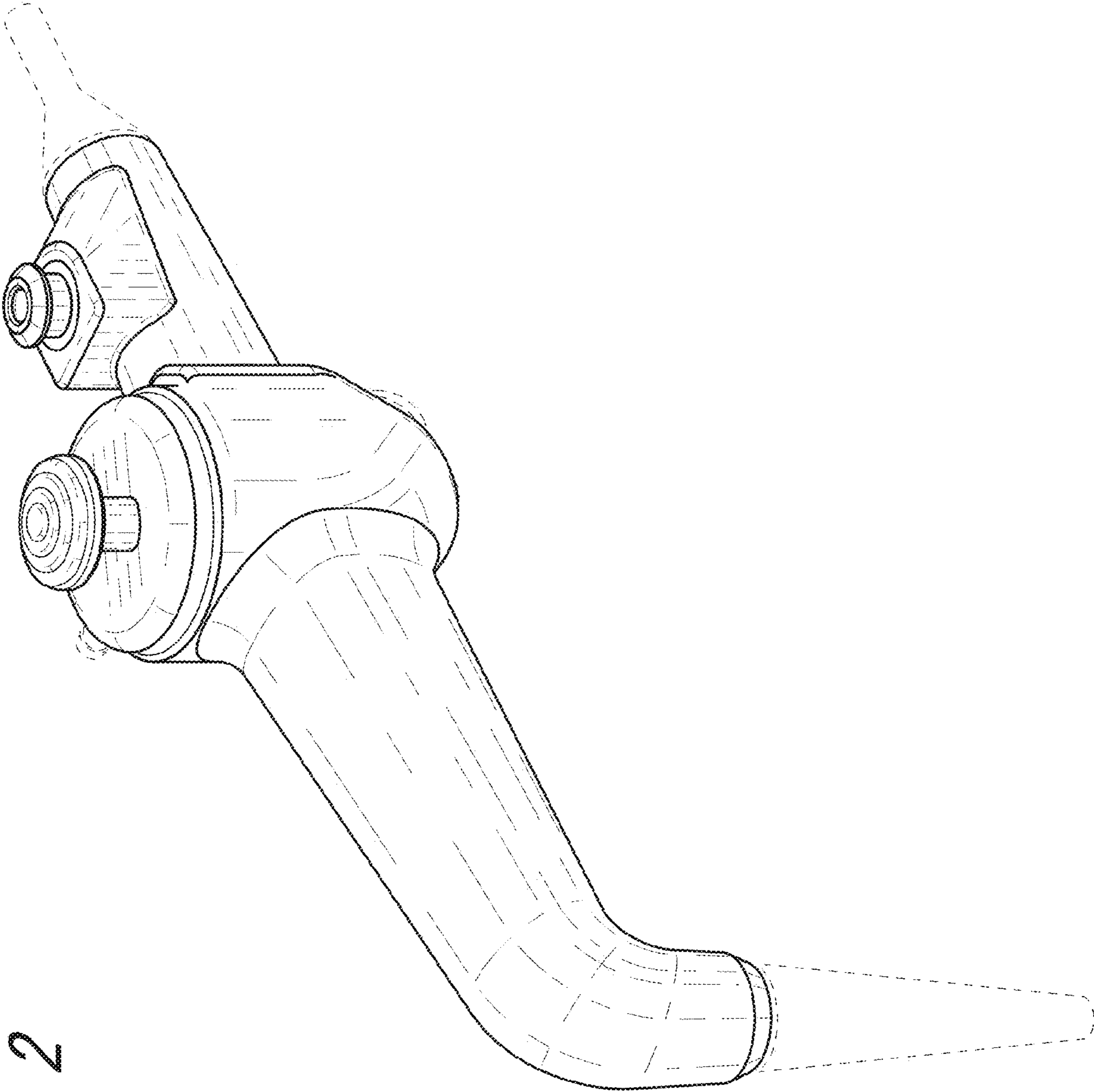


FIG. 2

FIG. 3

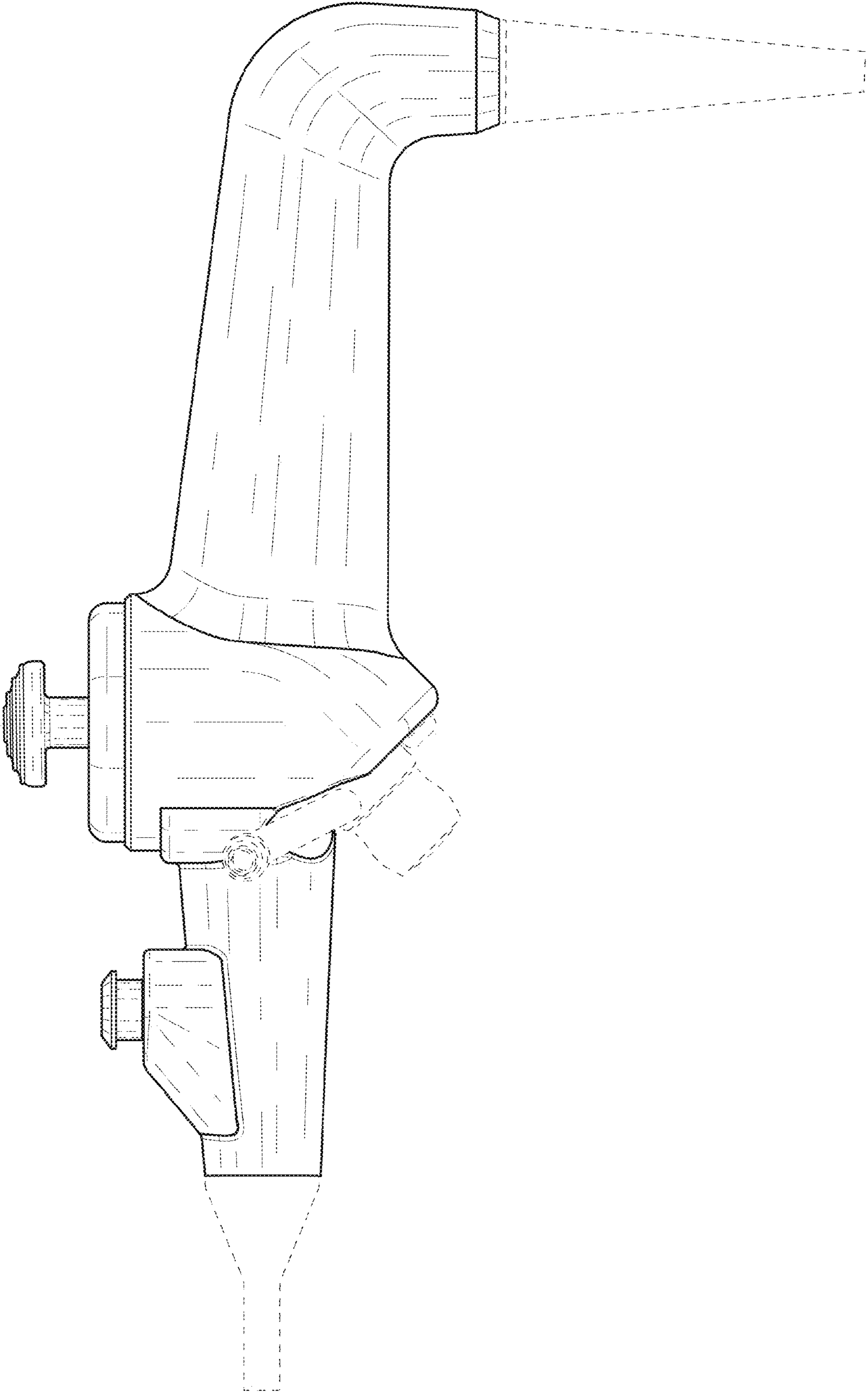


FIG. 4

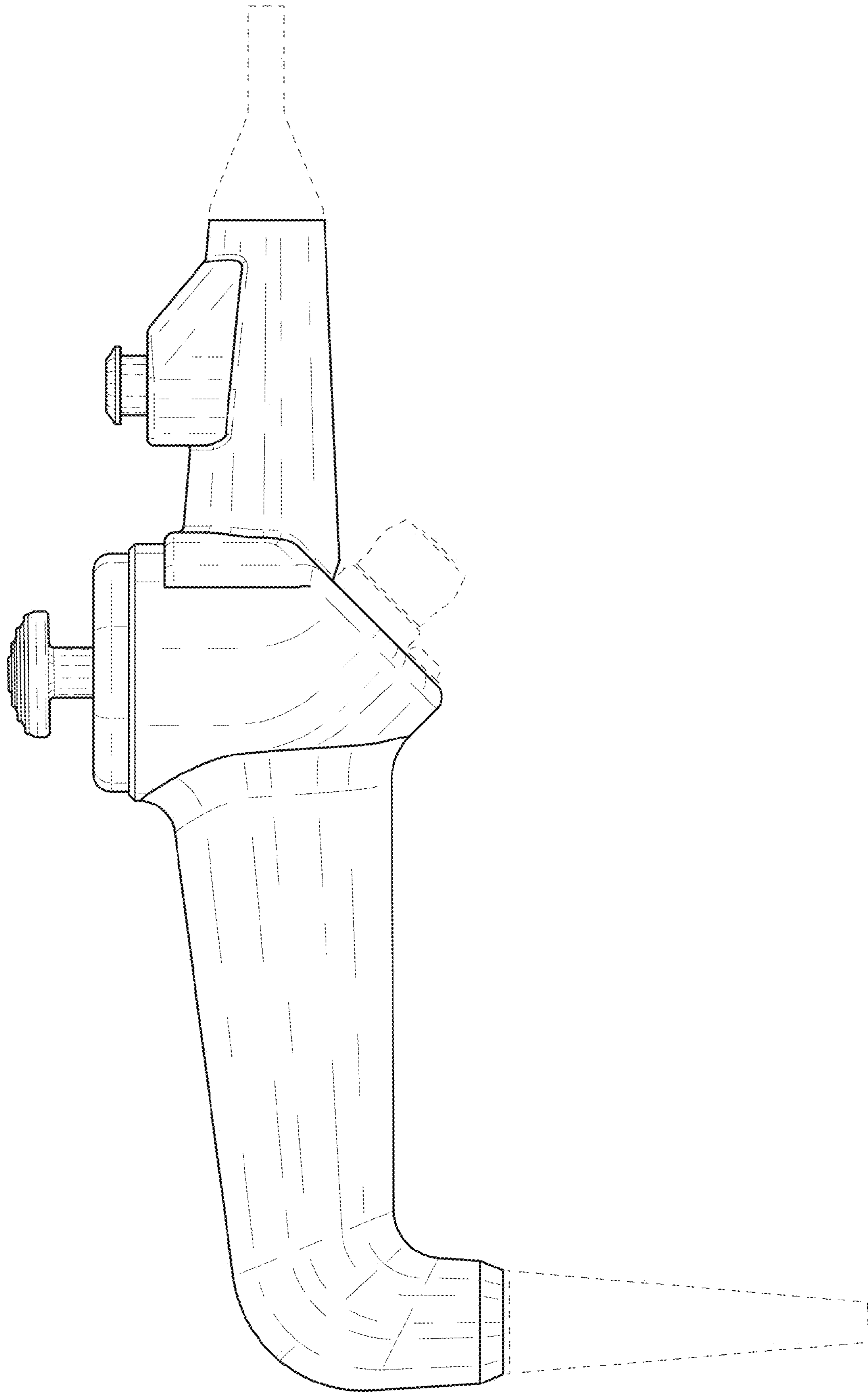


FIG. 5

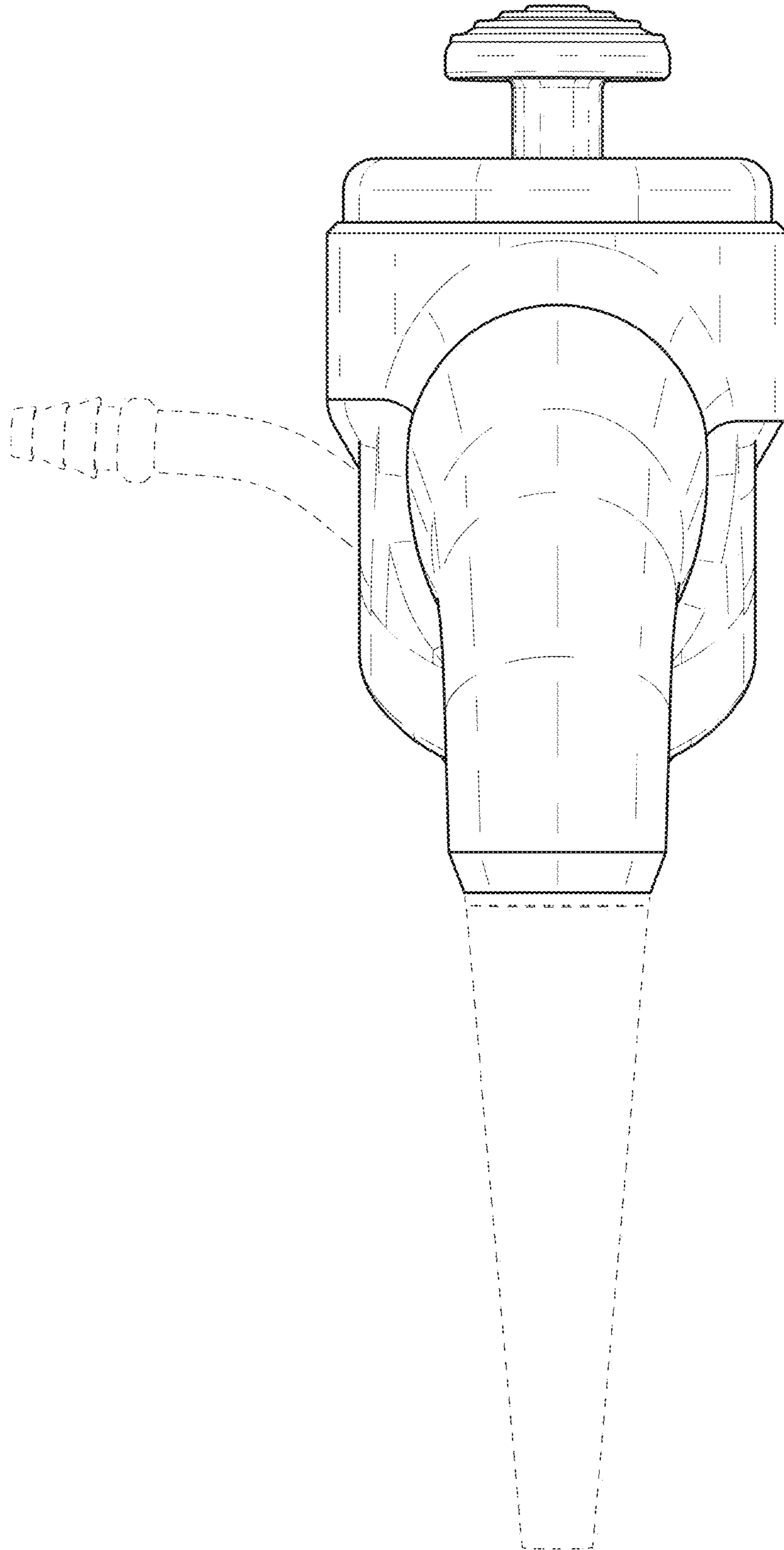


FIG. 6

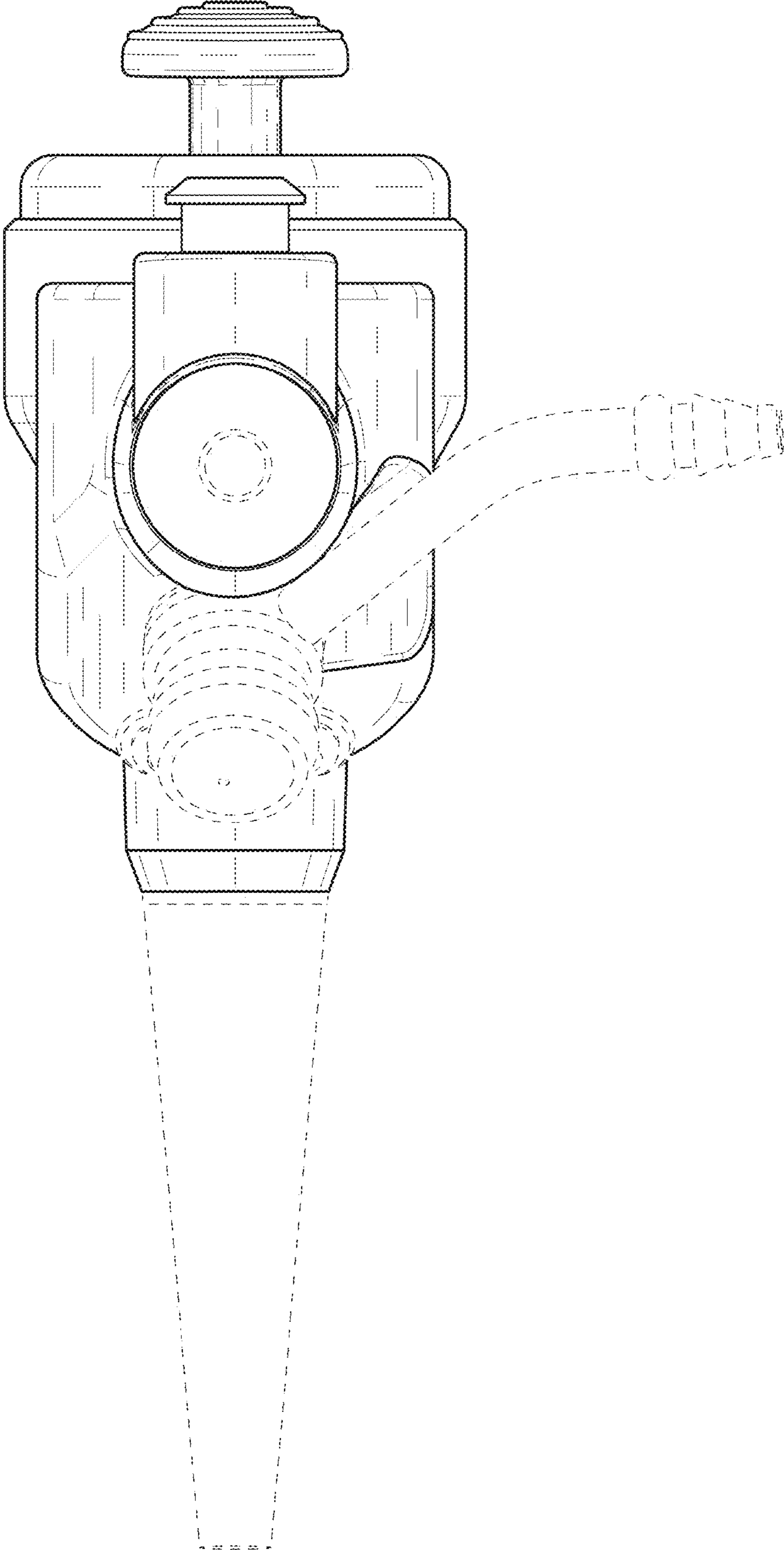


FIG. 7

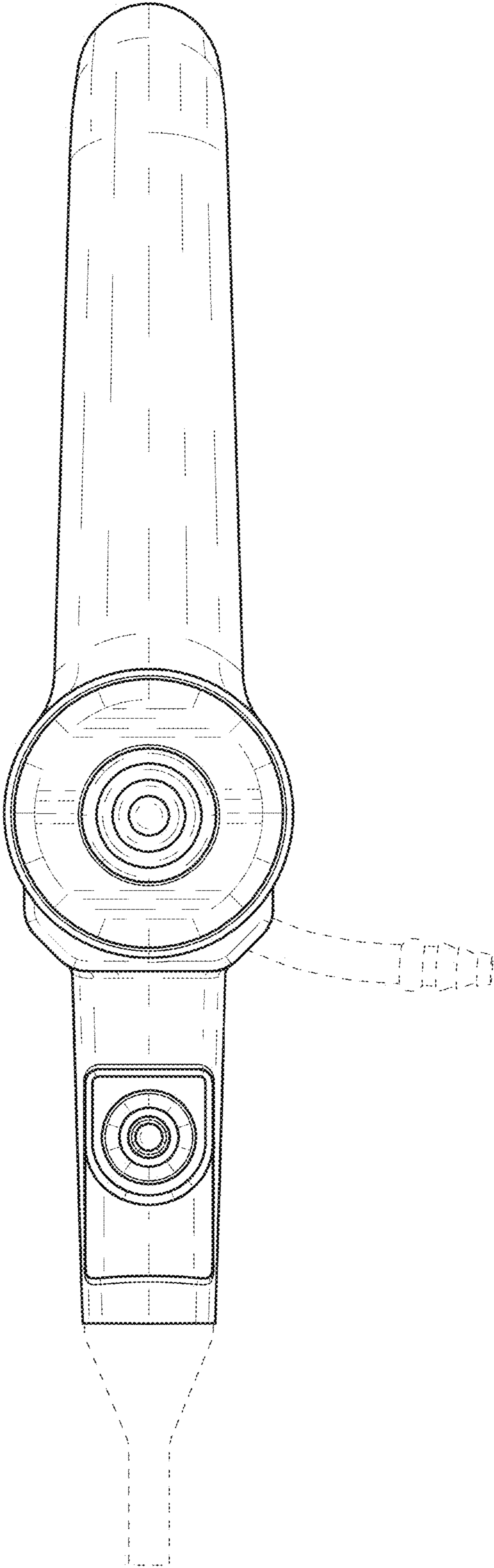


FIG. 8

