



US00D974553S

(12) **United States Design Patent**  
**Pekrul et al.**

(10) **Patent No.:** **US D974,553 S**  
(45) **Date of Patent:** **\*\* Jan. 3, 2023**

(54) **STYLUS**

(71) Applicant: **CERAXIS HEALTH, INC.**, Cleveland, OH (US)

(72) Inventors: **Christopher Pekrul**, Boston, MA (US);  
**Scott Kokones**, Brookline, MA (US);  
**Omar Ansari**, San Francisco, CA (US);  
**Eugina Chun**, San Francisco, CA (US);  
**Brian Hoffer**, San Francisco, CA (US);  
**John Lai**, San Francisco, CA (US);  
**Adam Little**, San Francisco, CA (US);  
**David Lubensky**, San Francisco, CA (US)

(73) Assignee: **CERAXIS HEALTH, INC.**, Cleveland, OH (US)

(\*\*) Term: **15 Years**

(21) Appl. No.: **29/737,003**

(22) Filed: **Jun. 4, 2020**

(51) **LOC (14) Cl.** ..... **24-02**

(52) **U.S. Cl.**  
USPC ..... **D24/133; D14/411**

(58) **Field of Classification Search**  
USPC ..... D24/112-114, 108, 130, 127, 187, 133,  
D24/135, 138, 140, 144, 145, 146, 147,  
D24/141, 224, 231, 234; D19/174, 199,  
D19/186; D28/56-59; D14/411;  
D3/203.2

CPC ..... A61J 7/003; A61J 7/0076; A61J 7/0092;  
A61J 7/02; B65D 83/04; B65D 83/0409  
See application file for complete search history.

(56) **References Cited**

**U.S. PATENT DOCUMENTS**

D615,588 S \* 5/2010 Hillemann ..... D19/186  
D659,244 S \* 5/2012 Hermle ..... D24/133

D674,487 S \* 1/2013 Kile ..... D24/152  
D683,401 S \* 5/2013 Zander ..... D19/164  
D692,889 S \* 11/2013 So ..... D14/411  
D705,925 S \* 5/2014 Murray ..... D24/112  
D707,351 S \* 6/2014 Kunze ..... D24/112  
D715,359 S \* 10/2014 Morales ..... D19/163  
D729,875 S \* 5/2015 Xu ..... D19/177  
D730,519 S \* 5/2015 Arnett ..... D24/146  
D733,220 S \* 6/2015 Ehrlich ..... D19/186  
D737,275 S \* 8/2015 Dowd ..... D14/411  
D737,375 S \* 8/2015 Tam ..... D19/927  
D742,021 S \* 10/2015 Labuschagne ..... D24/200  
D743,964 S \* 11/2015 Swessi ..... D14/411  
D744,309 S \* 12/2015 Rose ..... D8/70  
D747,770 S \* 1/2016 Nishida ..... D19/199  
D749,173 S \* 2/2016 Walker ..... D19/934  
D752,278 S \* 3/2016 Verleur ..... D27/101  
D754,129 S \* 4/2016 Kao ..... D14/411

(Continued)

**FOREIGN PATENT DOCUMENTS**

CN 307042052 \* 12/2021

*Primary Examiner* — T Chase Nelson

*Assistant Examiner* — Kelly L Gross

(74) *Attorney, Agent, or Firm* — Finnegan, Henderson, Farabow, Garrett & Dunner, LLP

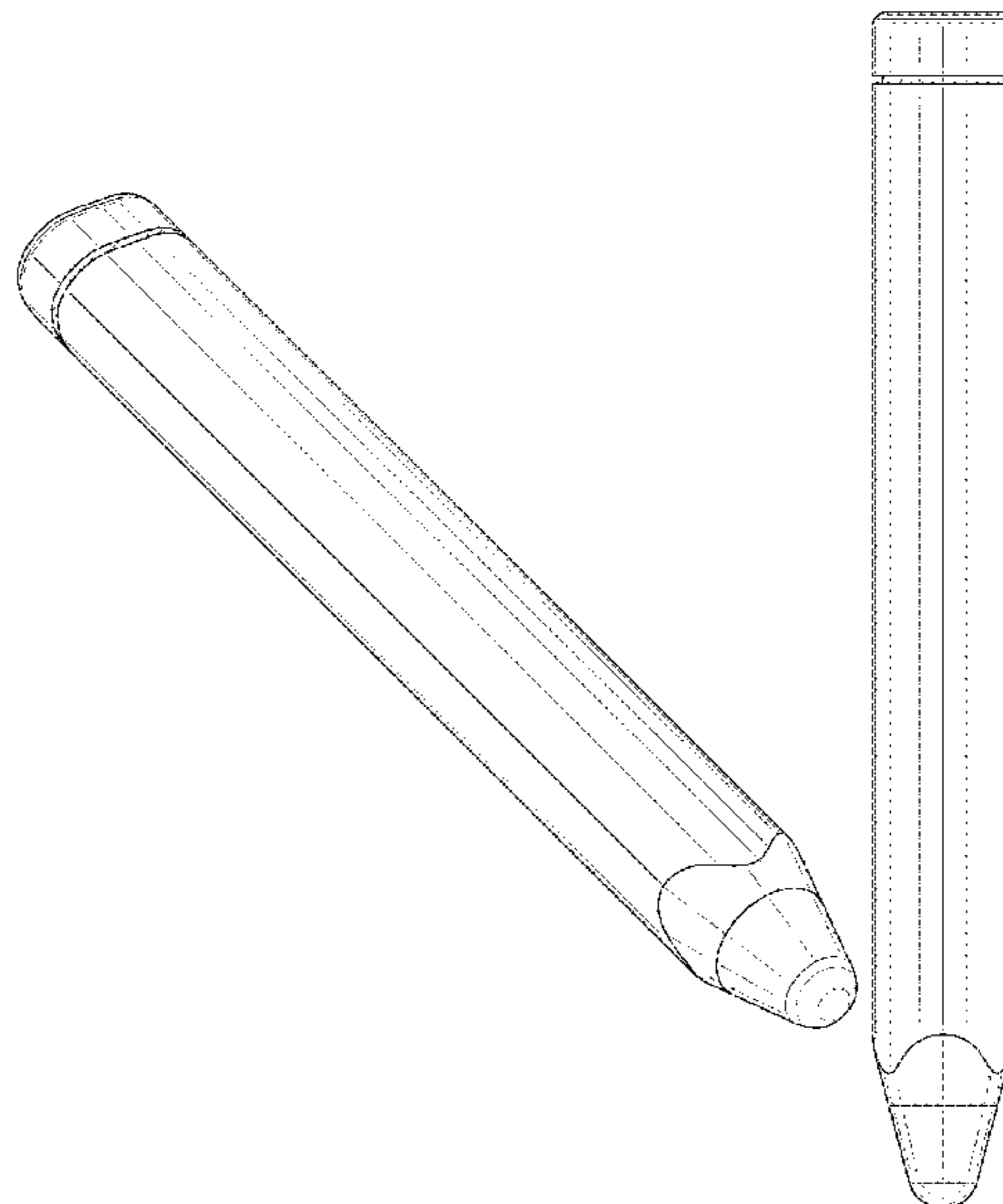
(57) **CLAIM**

The ornamental design for a stylus, as shown and described.

**DESCRIPTION**

FIG. 1 is a front, top, left perspective view for a stylus, showing the new design;  
FIG. 2 is a rear, bottom, right perspective view thereof;  
FIG. 3 is a bottom plan view thereof;  
FIG. 4 is a top plan view thereof;  
FIG. 5 is a right side elevation view thereof;  
FIG. 6 is a left side elevation view thereof;  
FIG. 7 is a rear elevation view thereof; and,  
FIG. 8 is a front elevation view thereof.

**1 Claim, 8 Drawing Sheets**



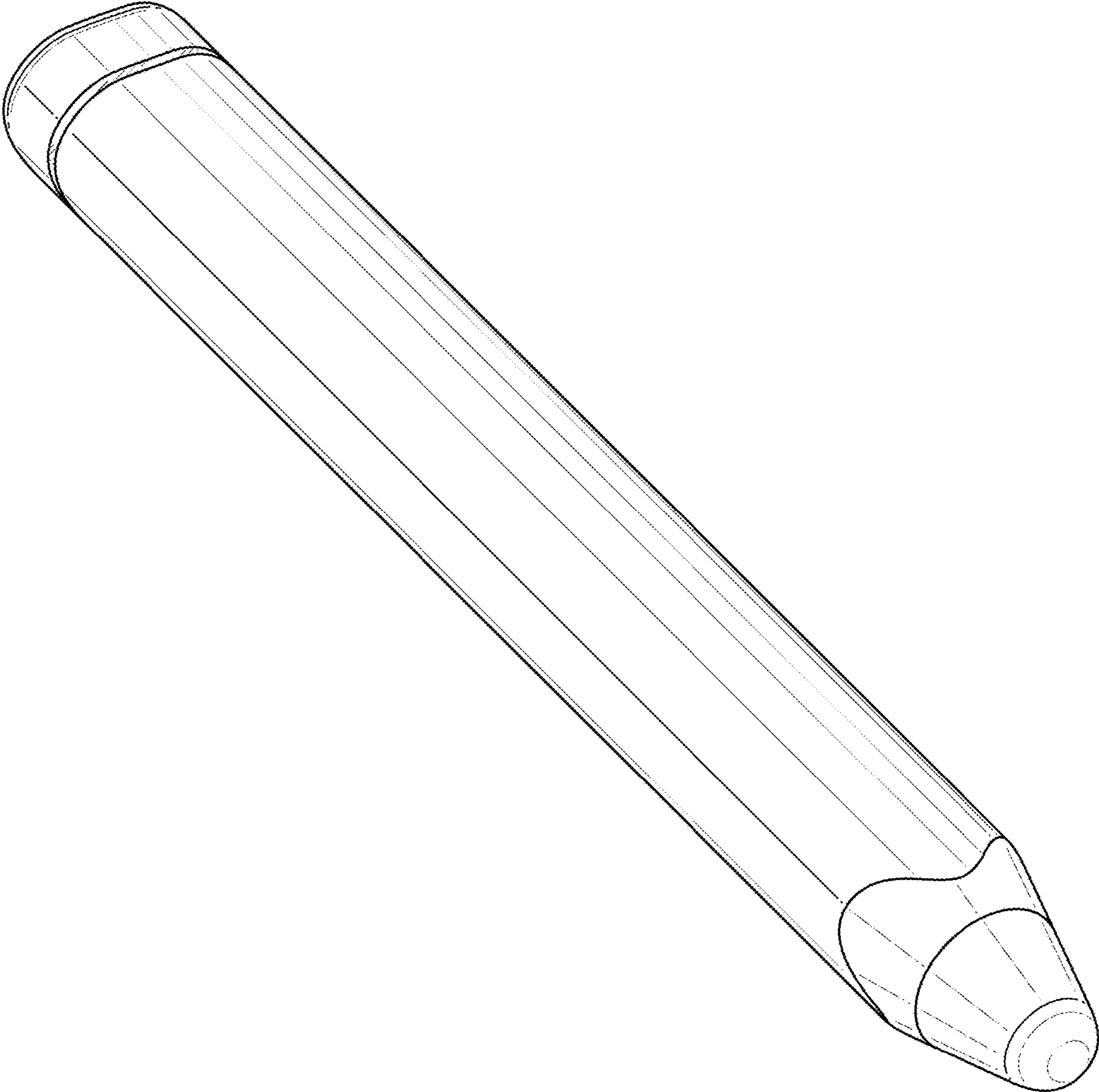
(56)

**References Cited**

## U.S. PATENT DOCUMENTS

D754,390	S	*	4/2016	Mittersinker	.....	D27/101
D759,814	S	*	6/2016	Newman	.....	D24/130
D770,453	S	*	11/2016	Sumsion	.....	D14/411
D783,616	S	*	4/2017	Hong	.....	D14/411
D789,453	S	*	6/2017	Walker	.....	D19/934
D794,183	S	*	8/2017	Lev	.....	D24/127
D799,033	S	*	10/2017	Ashman-Stauss	.....	D24/130
D807,960	S	*	1/2018	Lo	.....	D19/204
D810,823	S	*	2/2018	Kermoal	.....	D19/928
D836,737	S	*	12/2018	Breeden, III	.....	D21/756
D850,783	S	*	6/2019	Mohamed	.....	D3/203.5
D862,726	S	*	10/2019	Mehregany	.....	D24/224
D878,927	S	*	3/2020	Rawls	.....	D9/711
D878,928	S	*	3/2020	Rawls	.....	D9/711
D894,901	S	*	9/2020	Nishida	.....	D14/411
D895,619	S	*	9/2020	Harju	.....	D14/411
D895,620	S	*	9/2020	Vadenne	.....	D14/411
D896,810	S	*	9/2020	Akana	.....	D14/411
D908,703	S	*	1/2021	Huang	.....	D14/411
D909,377	S	*	2/2021	Huang	.....	D14/411
D909,379	S	*	2/2021	Liu	.....	D14/411
D909,380	S	*	2/2021	Liu	.....	D14/411
D915,405	S	*	4/2021	Lee	.....	D14/411
D917,481	S	*	4/2021	Nishizawa	.....	D14/411
D918,206	S	*	5/2021	Gaule	.....	D14/411
D921,628	S	*	6/2021	Huang	.....	D14/411
D921,629	S	*	6/2021	Liu	.....	D14/411
D921,630	S	*	6/2021	Liu	.....	D14/411
D942,453	S	*	2/2022	Akana	.....	D14/411
D944,800	S	*	3/2022	Huang	.....	D14/411

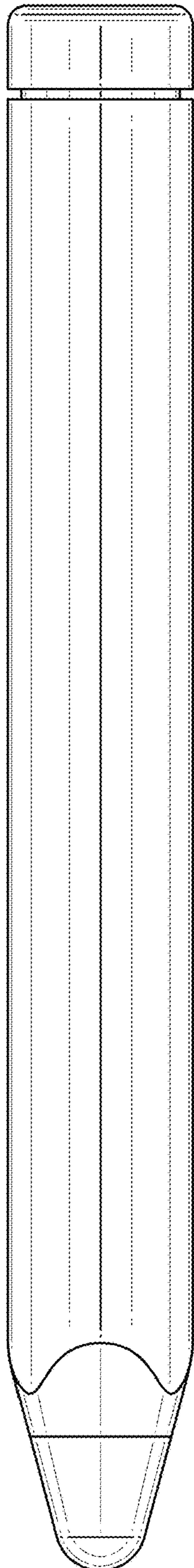
\* cited by examiner



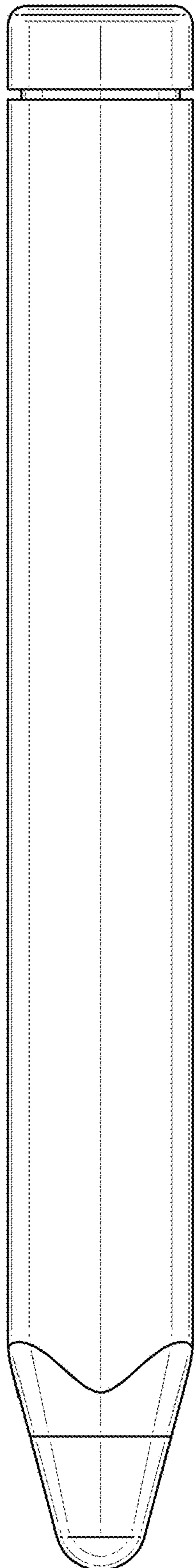
**FIG. 1**



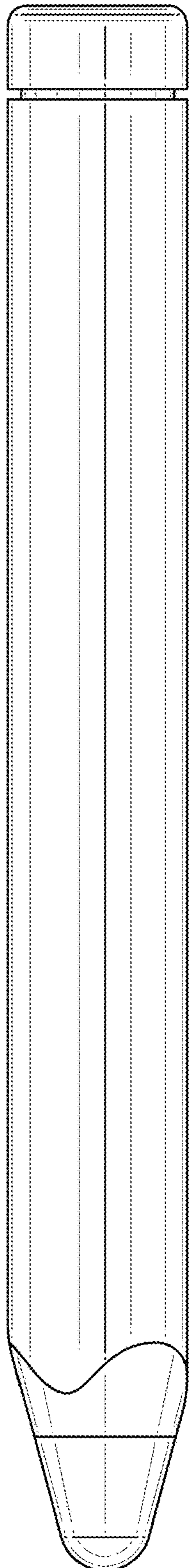
**FIG. 2**



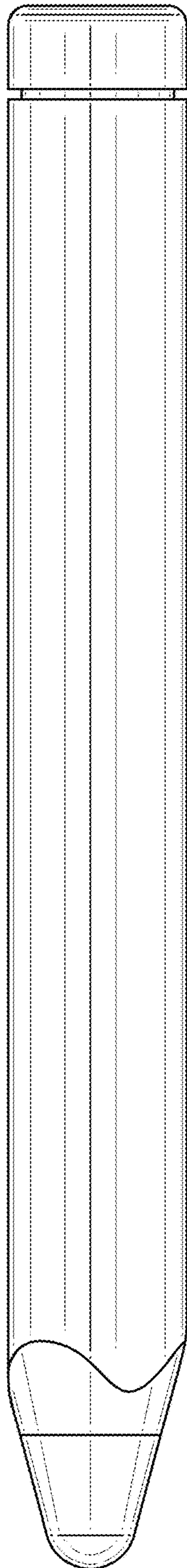
**FIG. 3**



**FIG. 4**

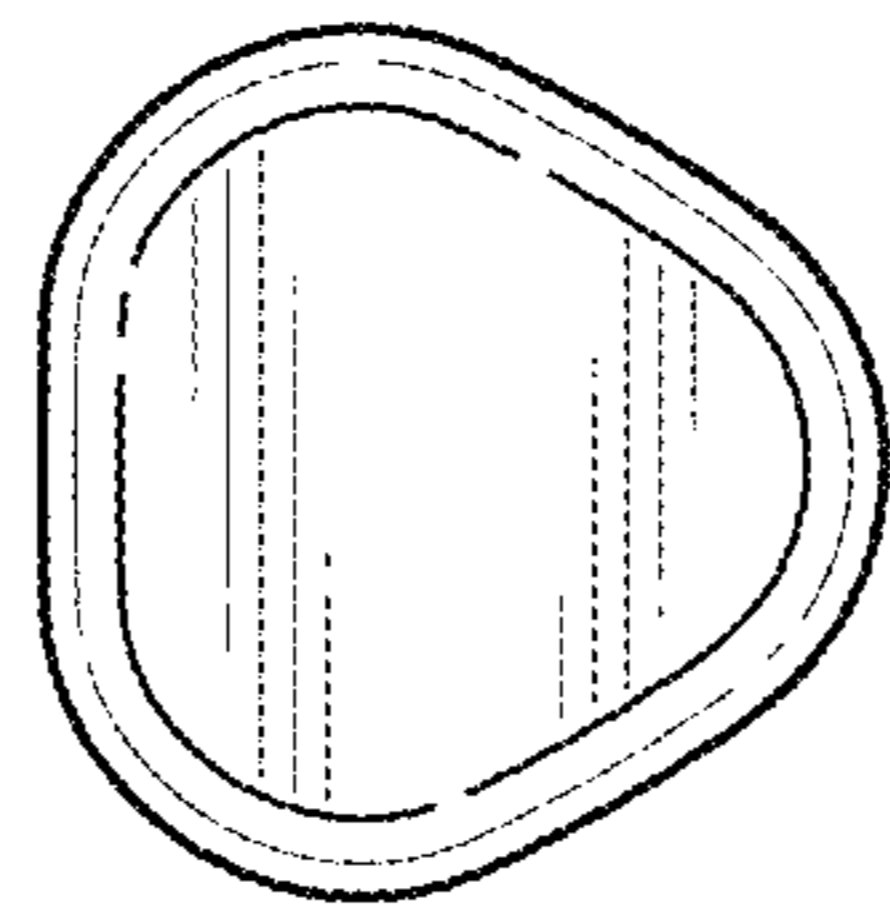


**FIG. 5**

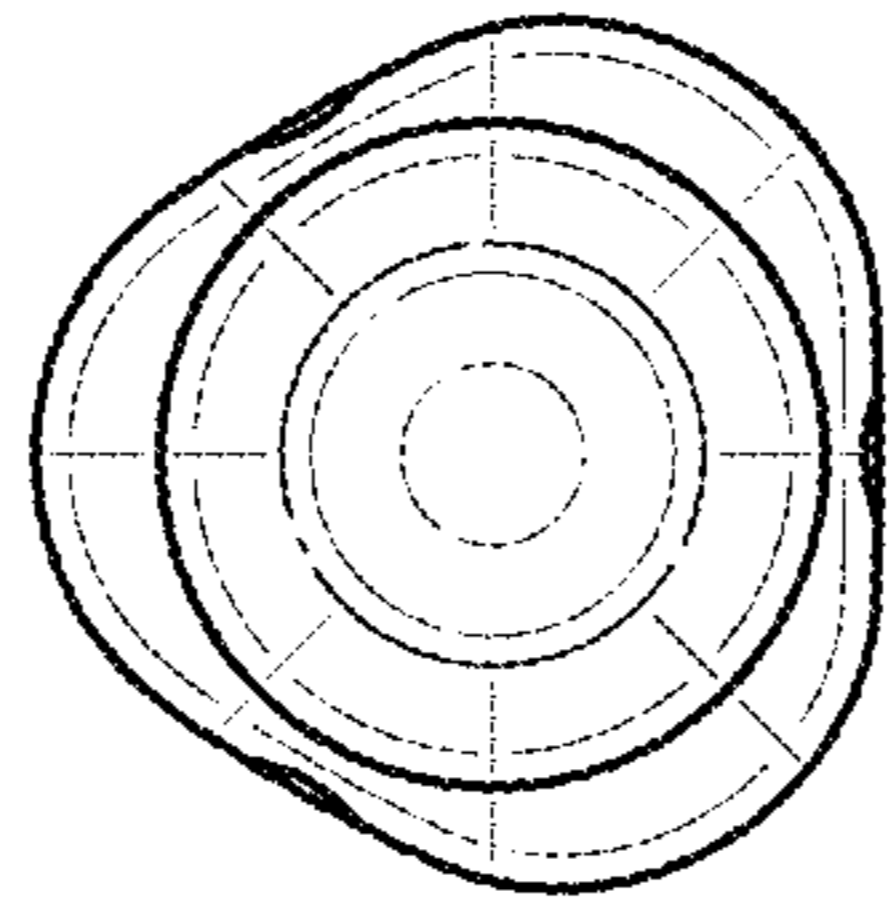


**FIG. 6**





***FIG. 7***



**FIG. 8**