



US00D974552S

(12) **United States Design Patent** (10) **Patent No.:** **US D974,552 S**
Niven (45) **Date of Patent:** **** Jan. 3, 2023**

(54) **NEEDLE CARTRIDGE CLIP**

FOREIGN PATENT DOCUMENTS

(71) Applicant: **Rejuvatek Medical Inc.**, Sandy, UT (US)

CN 306747270 * 8/2021

(72) Inventor: **Gregg D. Niven**, Kaysville, UT (US)

OTHER PUBLICATIONS

(73) Assignee: **Rejuvatek Medical Inc.**, Sandy, UT (US)

How Tatt2Away Works, Tatt2Away—Official Channel, youtube, [Post Date Oct. 9, 2019], [Site seen Feb. 24, 2022], Seen at URL: <https://www.youtube.com/watch?v=sK14ek90aQ8> (Year: 2019).*

(**) Term: **15 Years**

(Continued)

(21) Appl. No.: **29/746,779**

Primary Examiner — Natasha Vujcic
Assistant Examiner — Gilbert B Ford

(22) Filed: **Aug. 17, 2020**

(74) *Attorney, Agent, or Firm* — Gurr Brande & Spendlove, PLLC.; Robert Dan Spendlove

(51) **LOC (14) Cl.** **24-02**

(52) **U.S. Cl.**

USPC **D24/130**

(58) **Field of Classification Search**

USPC D24/144, 146, 133, 127–131, 112–115, D24/231

CPC A61M 37/0076; A61M 37/0084; A61M 37/0092; A61M 37/00; A61M 5/46; A61M 5/48

See application file for complete search history.

(57) **CLAIM**

I claim, the ornamental design for a needle cartridge clip, as shown and described.

DESCRIPTION

(56) **References Cited**

U.S. PATENT DOCUMENTS

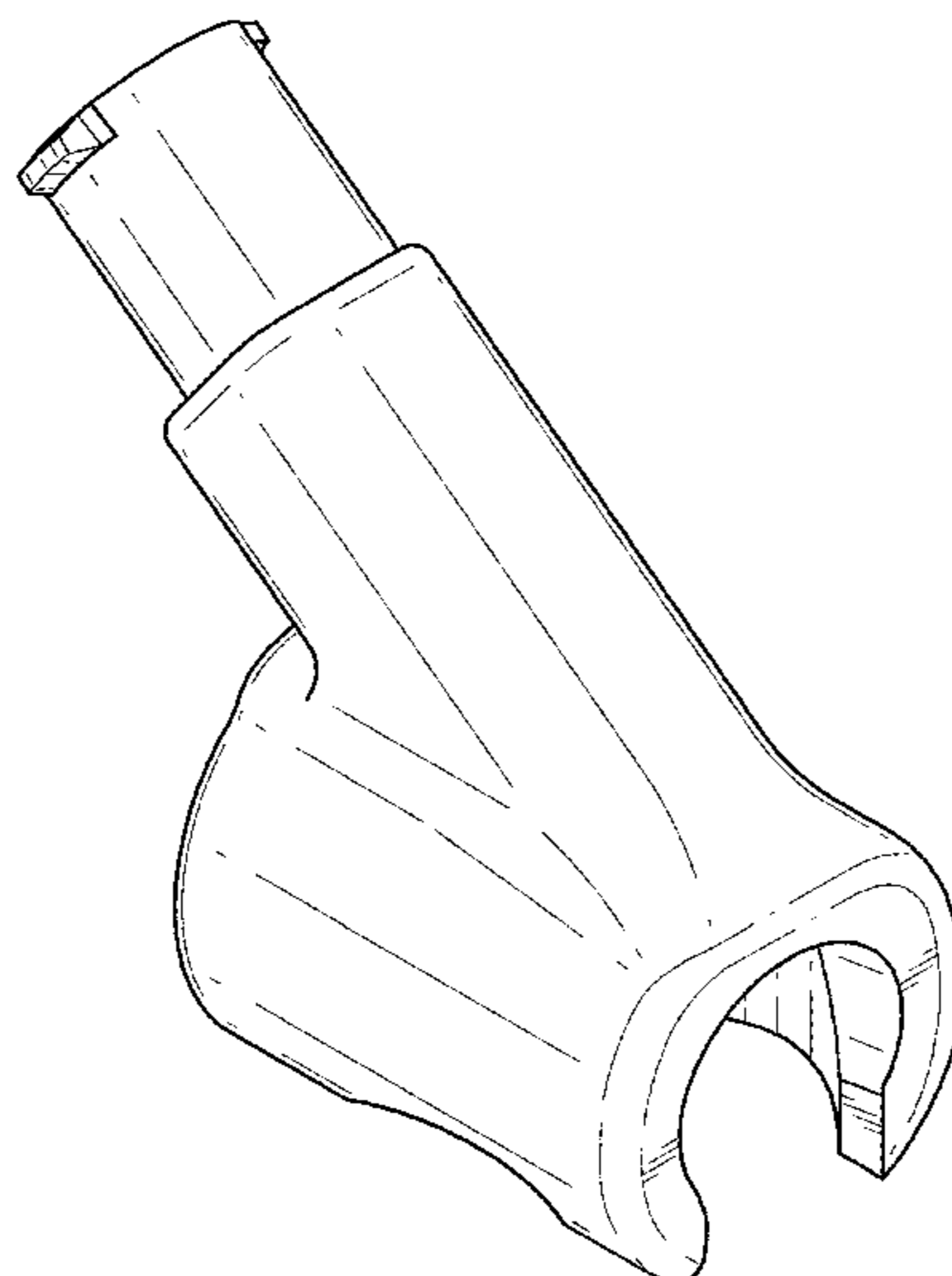
2,588,623	A	3/1952	Eliscu	
3,672,367	A *	6/1972	Scislowicz A61M 25/0111 604/163
6,505,530	B2	1/2003	Adler et al.	
6,585,694	B1	7/2003	Smith et al.	
D506,828	S *	6/2005	Layne D24/129
D651,712	S *	1/2012	Gao D24/146
D672,460	S *	12/2012	Baid D24/130
8,663,162	B2	3/2014	Bunting et al.	
9,707,385	B1	7/2017	Chen et al.	
D793,549	S *	8/2017	Defusco D24/128
9,750,528	B2	9/2017	Scherkowski	
D831,745	S *	10/2018	He D19/81
D887,001	S *	6/2020	Wang D24/144
D899,594	S *	10/2020	Wang D24/144

(Continued)

FIG. 1 is a front, top perspective view of a needle cartridge clip;
FIG. 2 is a right side elevation view of the needle cartridge clip illustrated in FIG. 1;
FIG. 3 is a left side elevation view of the needle cartridge clip illustrated in FIG. 1;
FIG. 4 is a rear elevation view of the needle cartridge clip illustrated in FIG. 1;
FIG. 5 is a front elevation view of the needle cartridge clip illustrated in FIG. 1;
FIG. 6 is bottom plan view of the needle cartridge clip illustrated in FIG. 1; and,
FIG. 7 is a top plan view the needle cartridge clip illustrated in FIG. 1.

The broken lines in the drawings illustrate portions of the needle cartridge clip that form no part of the claimed design.

1 Claim, 5 Drawing Sheets



(56)

References Cited

U.S. PATENT DOCUMENTS

D931,455 S * 9/2021 Wang D24/144
D942,008 S * 1/2022 Castillo-Garcia D24/146
2002/0069726 A1 6/2002 Adler et al.
2002/0193752 A1 12/2002 Lynn
2003/0171767 A1 9/2003 Koplén
2003/0195542 A1 10/2003 Lee
2004/0186501 A1 9/2004 Su
2005/0010236 A1 1/2005 Frister
2005/0107738 A1 5/2005 Slater et al.
2008/0208235 A1 8/2008 Ulmer et al.
2008/0221548 A1 9/2008 Danenberg et al.
2008/0287978 A1 11/2008 Hickman, III
2009/0125050 A1 5/2009 Dixon
2012/0041374 A1 2/2012 Lee
2015/0202420 A1 7/2015 Miller et al.
2016/0263365 A1 9/2016 Smith
2018/0304048 A1* 10/2018 Knutsson A61M 5/3221

OTHER PUBLICATIONS

“Manual for Dragonfly X2 Tattoo Machine”, InkMachines, (May 7, 2010), 33 pages, available at http://www.inkmachines.com/sites/default/files/files/Manual_For_Dragonfly_X2_tattoo_machine_EN_rev1.pdf.

* cited by examiner

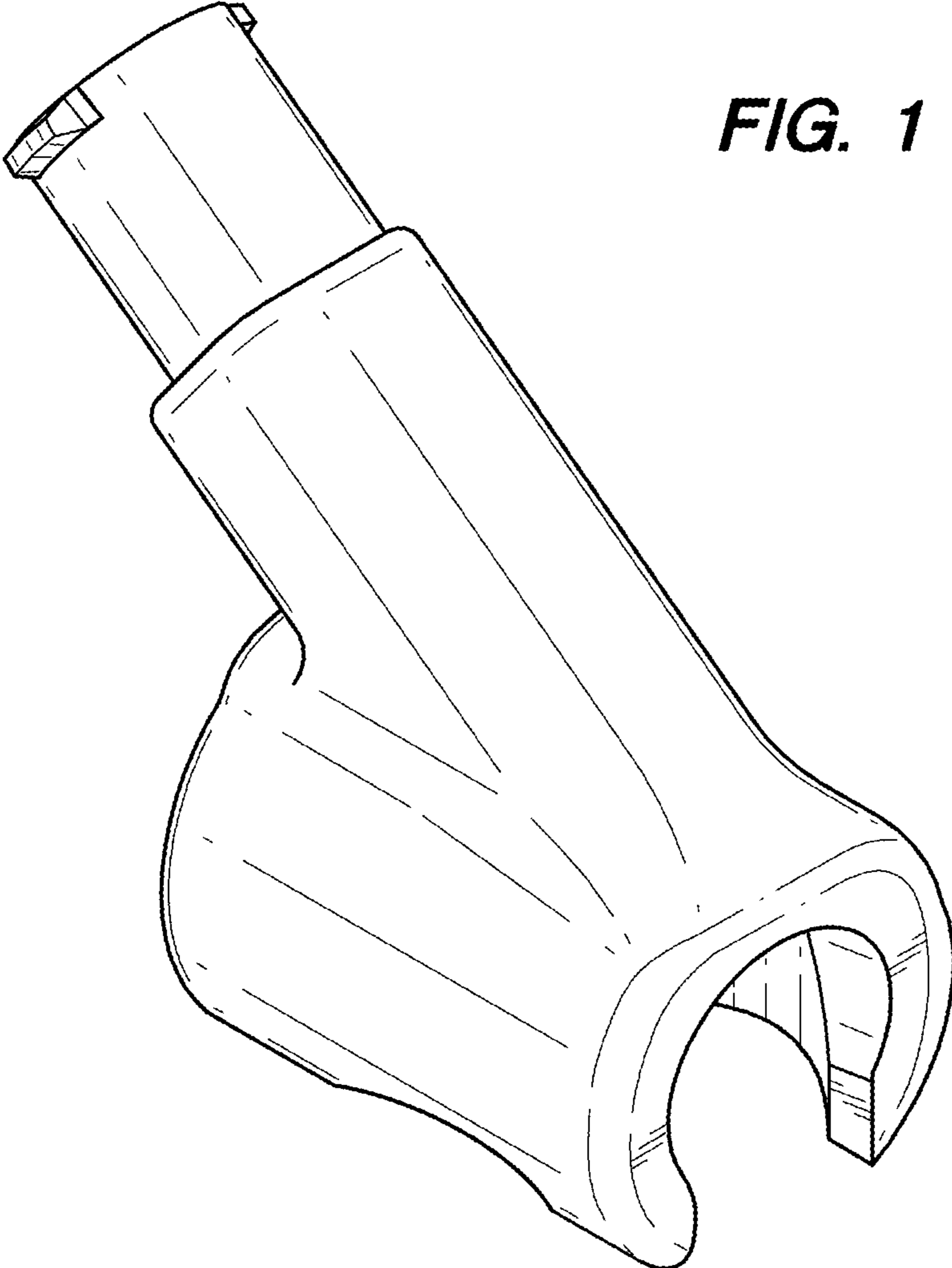
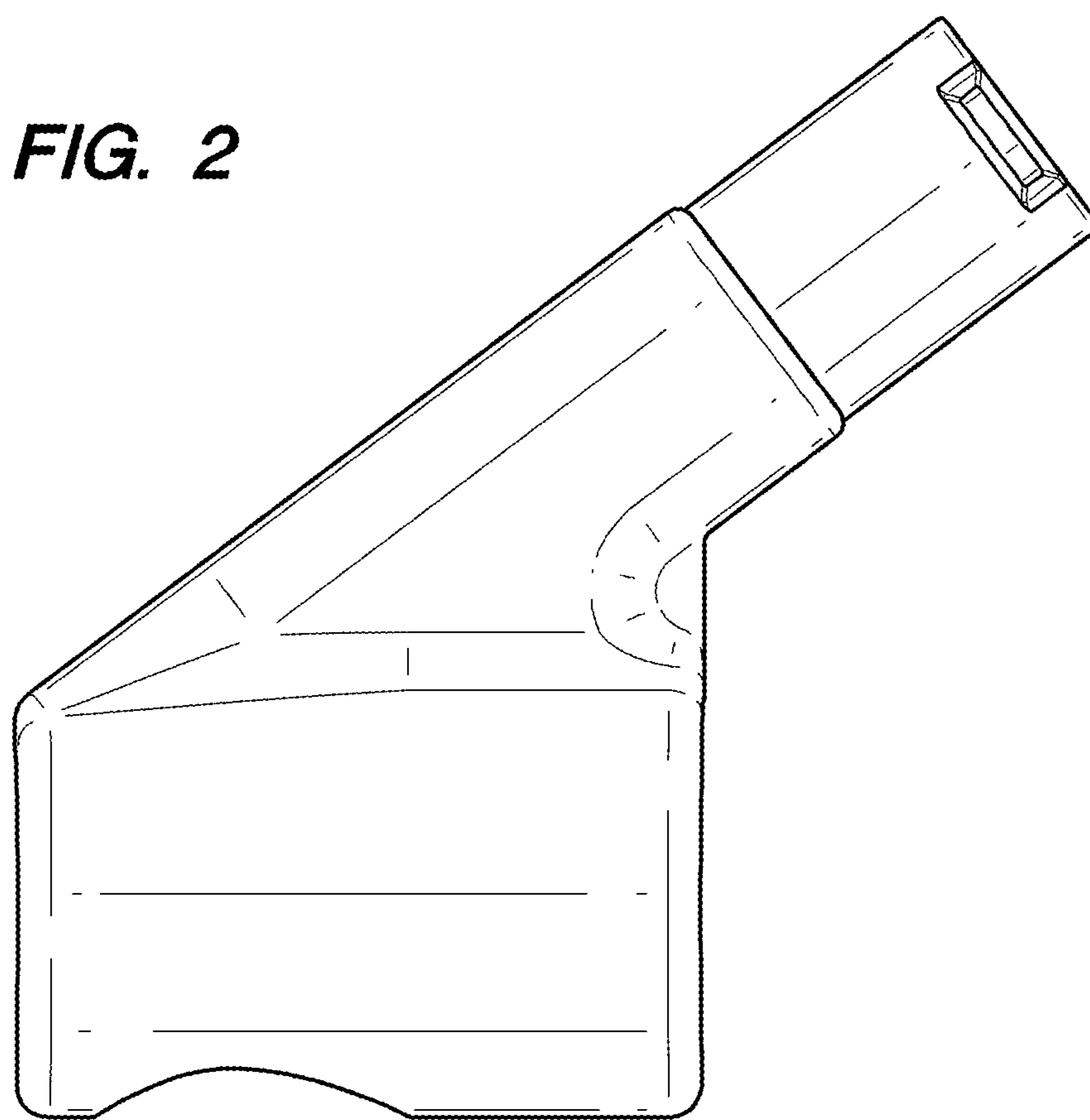
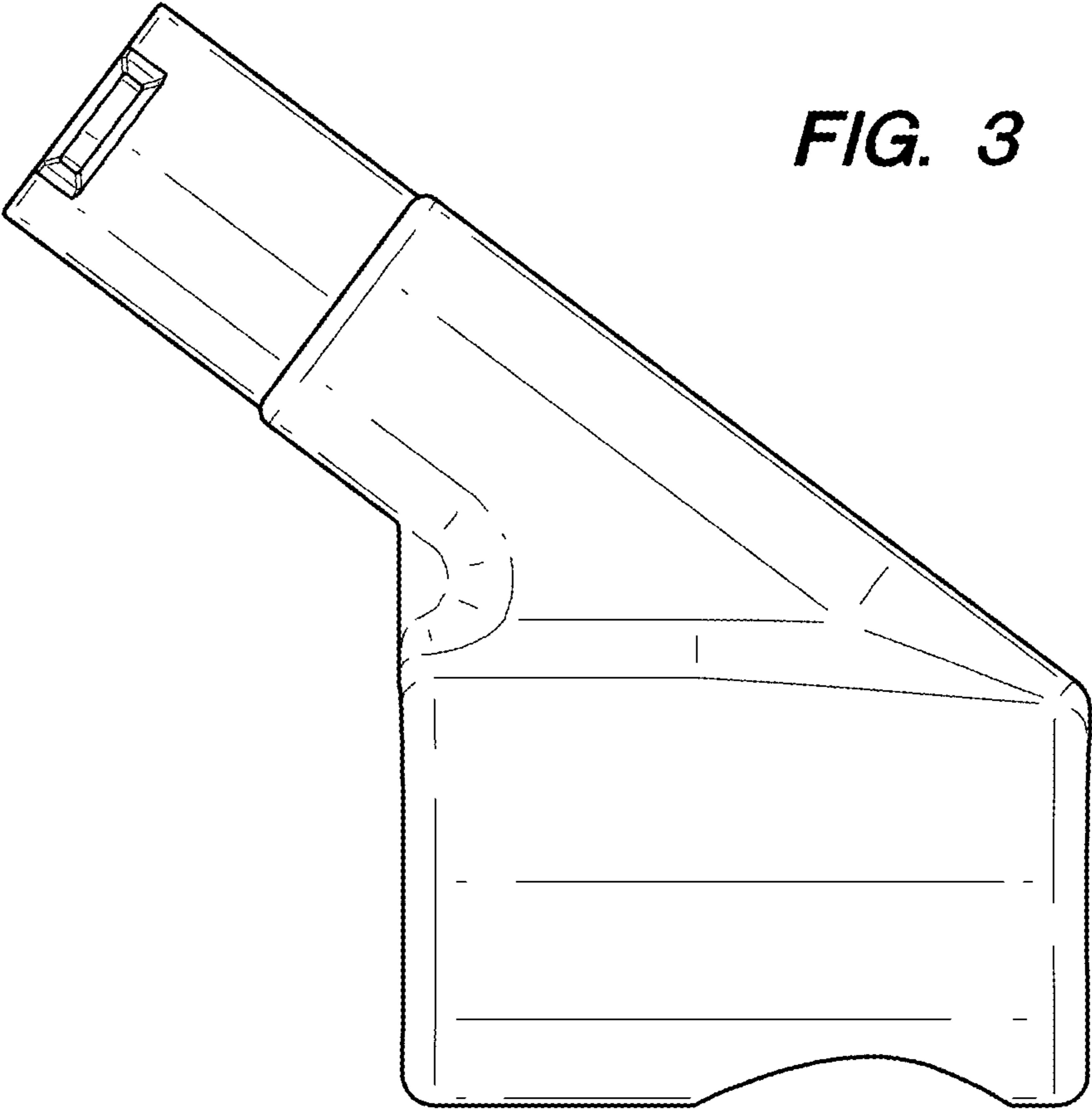


FIG. 1

FIG. 2





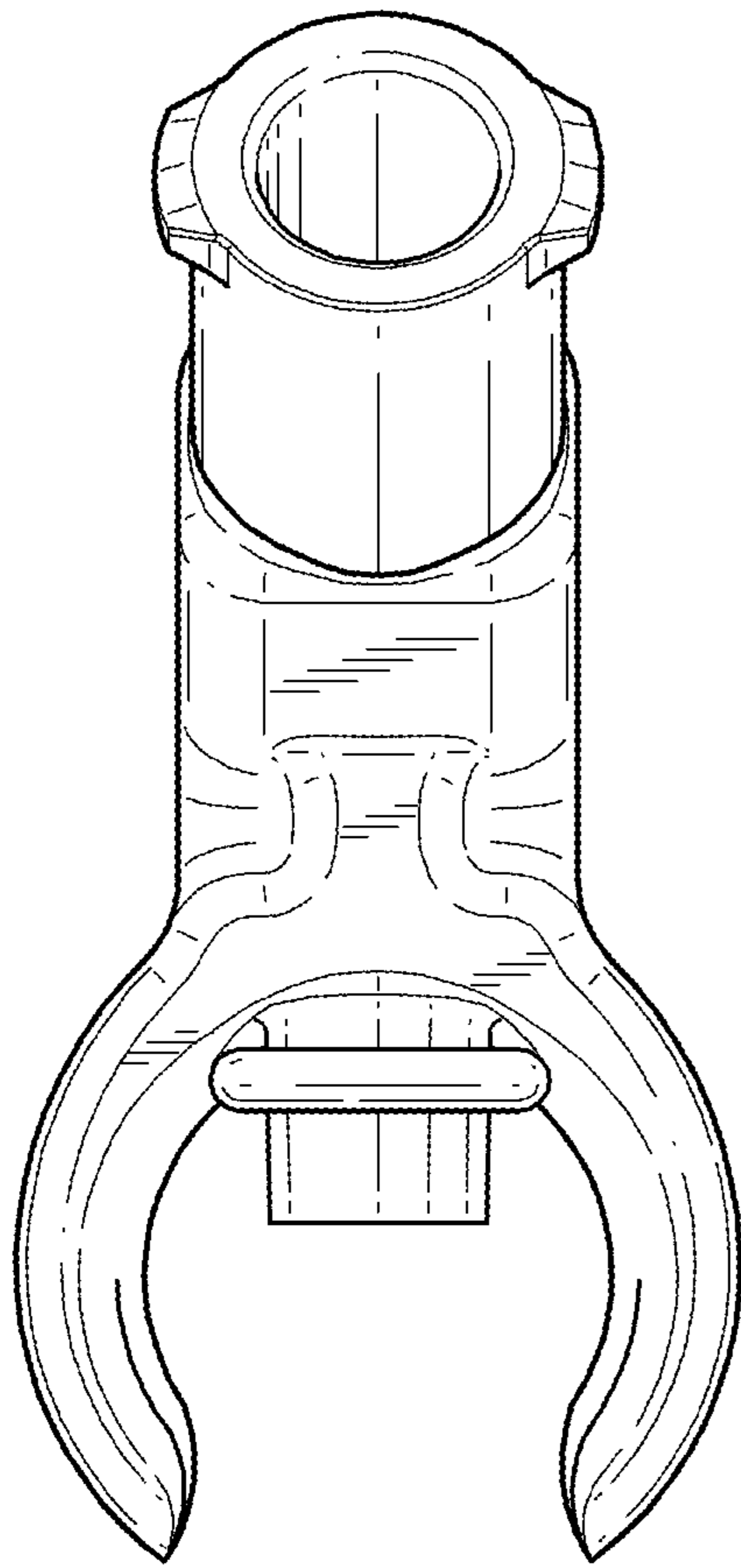


FIG. 4

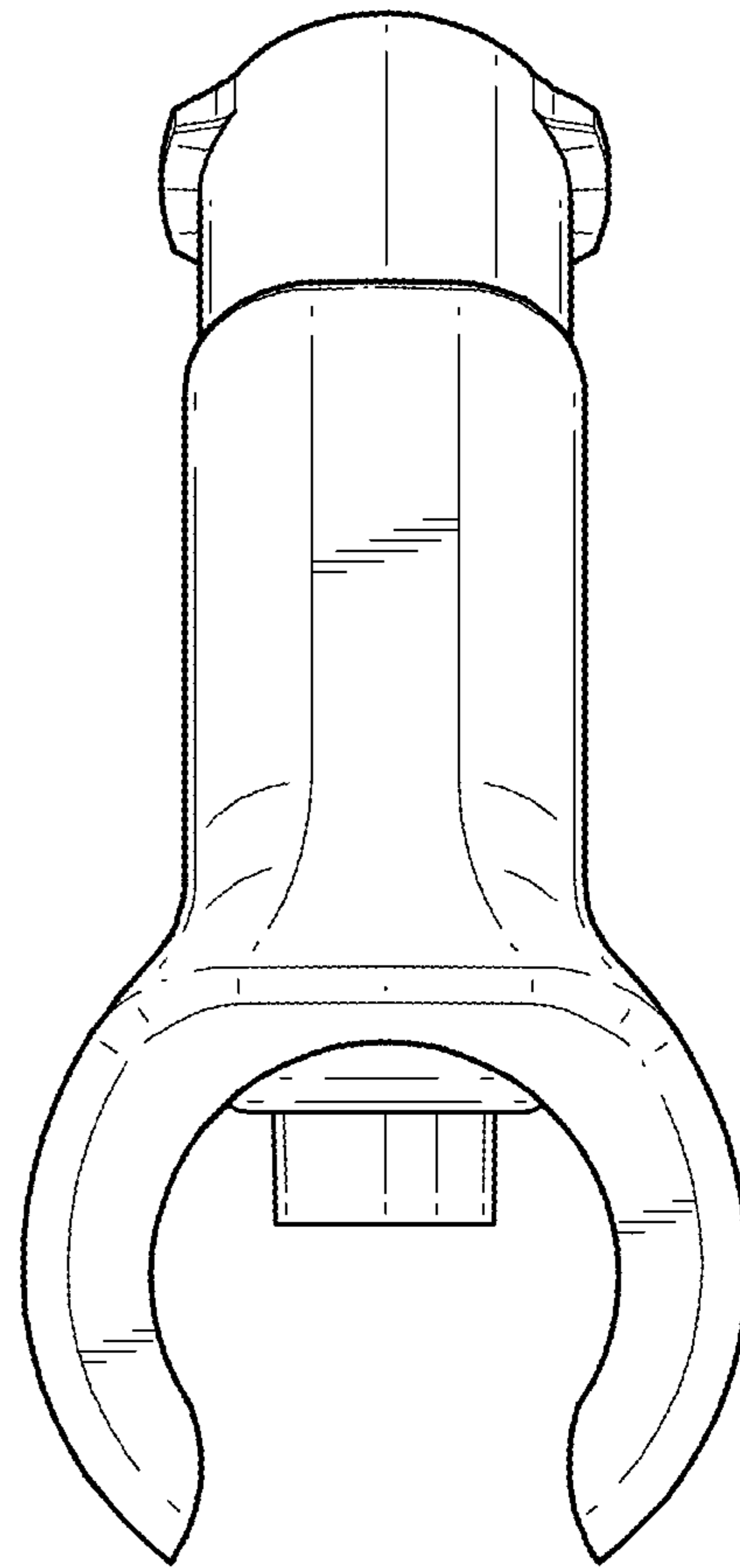


FIG. 5

FIG. 6

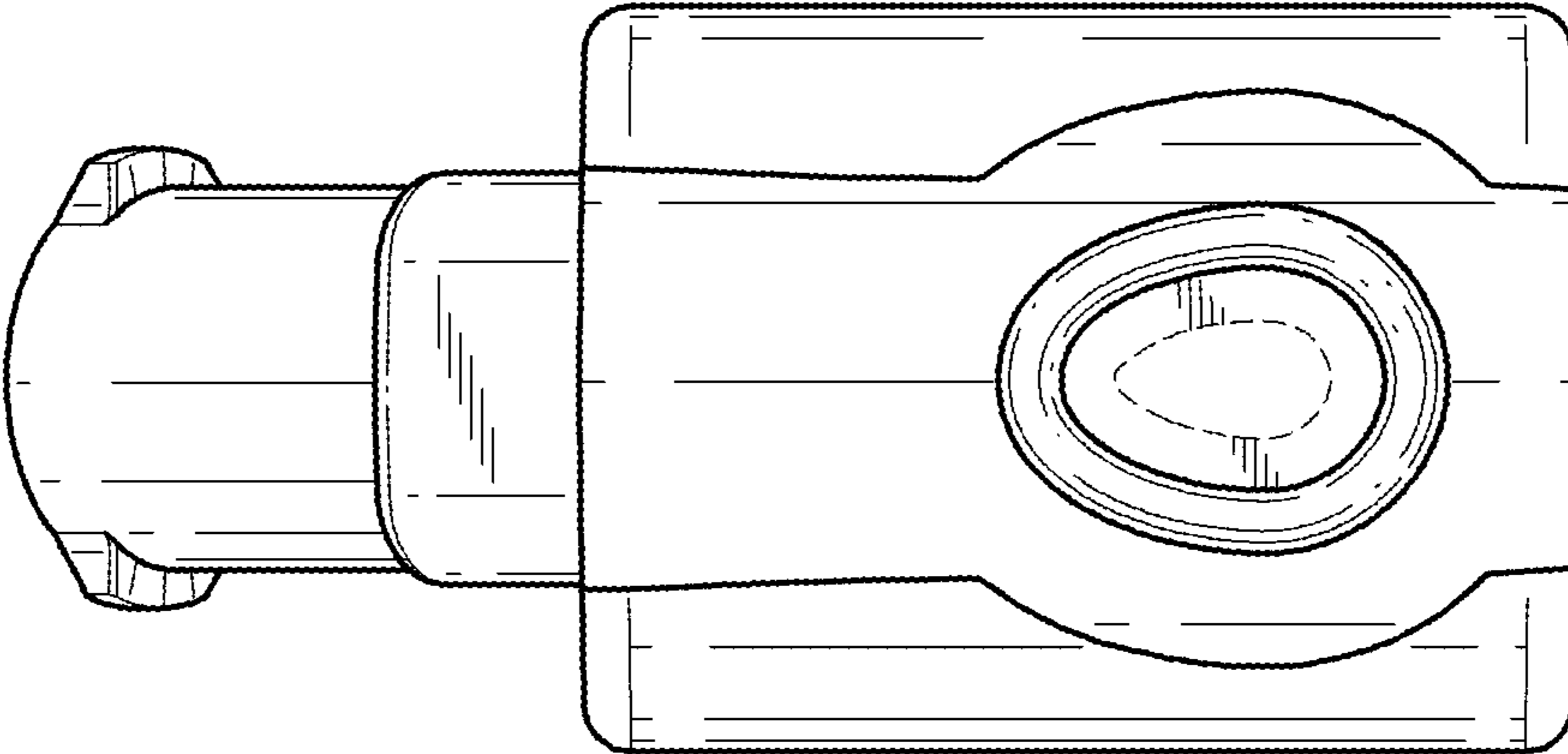


FIG. 7

