

US00D974551S

(12) **United States Design Patent**
Mosen et al.

(10) **Patent No.:** **US D974,551 S**
(45) **Date of Patent:** **** Jan. 3, 2023**

(54) **CONNECTOR ASSEMBLY AND CONNECTOR**

(71) Applicant: **Fisher & Paykel Healthcare Limited, Auckland (NZ)**

(72) Inventors: **Rachel Nicole Mosen, Auckland (NZ); Christopher Peter Hutchinson, Aliso Viejo, CA (US); Emeric Henri Michel Belleux, Auckland (NZ); Hugo Max Treherne James, Auckland (NZ)**

(73) Assignee: **Fisher & Paykel Healthcare Limited, Auckland (NZ)**

(**) Term: **15 Years**

(21) Appl. No.: **29/761,521**

(22) Filed: **Dec. 9, 2020**

(51) **LOC (14) Cl.** **24-02**

(52) **U.S. Cl.**
USPC **D24/129**

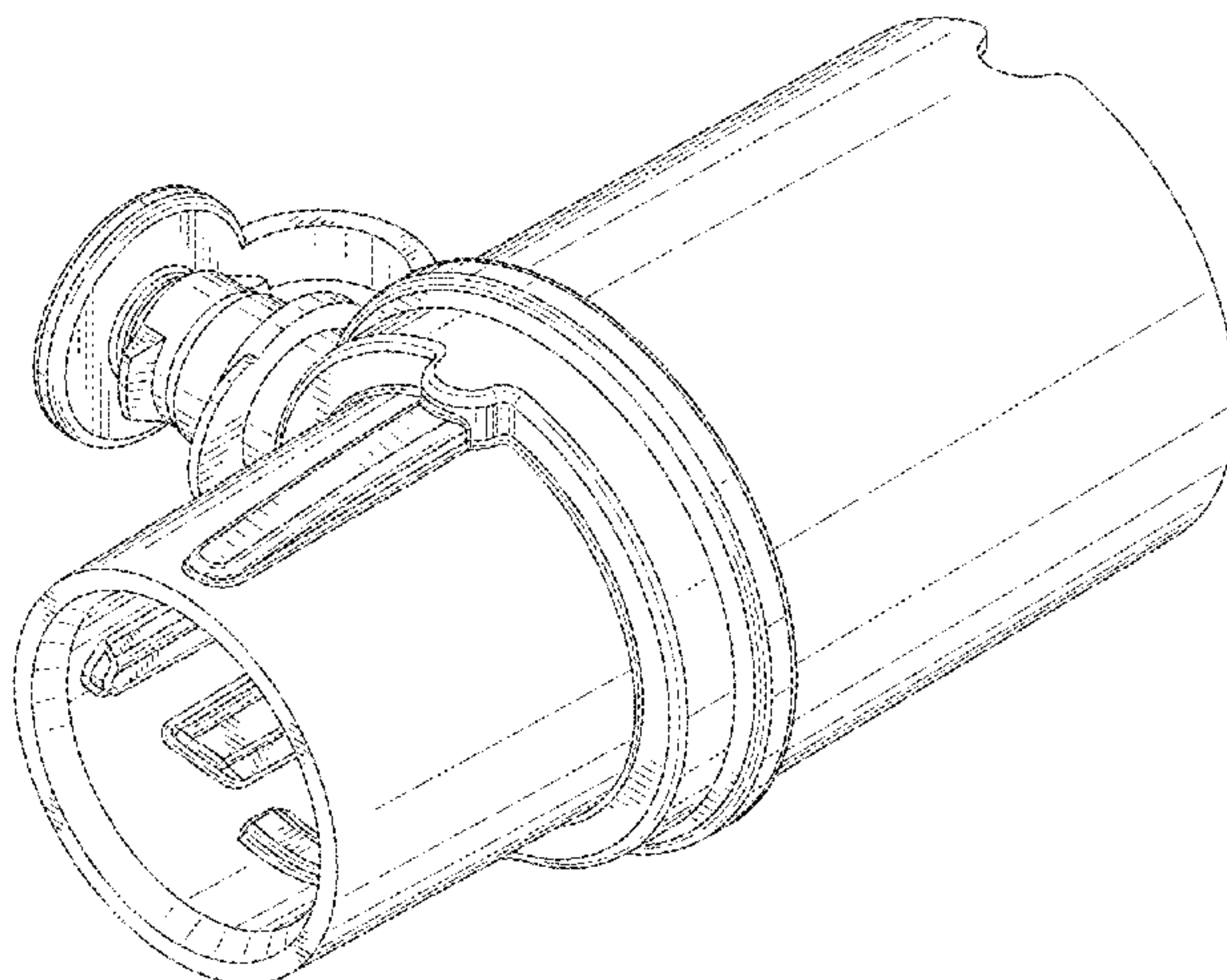
(58) **Field of Classification Search**
USPC D24/108, 110, 110.1, 110.4–110.6, 112, D24/127–129; D23/259, 262, 249; D8/382, 394
CPC A61B 5/087; A61B 5/097; A61B 5/0875; G01N 33/4872; A63B 23/18; G01D 3/0365
See application file for complete search history.

4,443,028 A	4/1984	Hayes	
4,446,869 A	5/1984	Knodle	
4,584,997 A	4/1986	DeLong	
4,589,684 A	5/1986	Nowacki et al.	
4,601,495 A	7/1986	Webb	
4,661,110 A	4/1987	Fortier et al.	
4,676,241 A	6/1987	Webb et al.	
4,773,448 A	9/1988	Francis	
D300,271 S	3/1989	Rudolph et al.	
D300,272 S	3/1989	Rudolph et al.	
D302,040 S	7/1989	Lambert et al.	
5,040,527 A	8/1991	Larson et al.	
5,064,226 A	11/1991	Klas	
D328,033 S	7/1992	DiGuseppi	
5,158,569 A	10/1992	Strickland et al.	
5,335,656 A	8/1994	Bowe et al.	
D362,718 S	9/1995	Deily et al.	
D363,541 S	10/1995	Cottone, Sr. et al.	
5,529,284 A	6/1996	Berger et al.	
5,584,997 A	12/1996	Yagihashi et al.	
5,725,258 A	3/1998	Kujawski	
5,735,271 A	4/1998	Lorenzen et al.	
D395,502 S *	6/1998	Deily	D24/129
5,901,705 A	5/1999	Leagre	
D424,687 S	5/2000	Hoening et al.	
6,099,519 A	8/2000	Olsen	
D431,634 S	10/2000	Mantz	
D439,326 S	3/2001	Hecker et al.	
D449,107 S	10/2001	Madsen	
6,439,234 B1	8/2002	Curti et al.	
6,484,724 B1	11/2002	Sloan	
D468,015 S	12/2002	Horppu	
D472,316 S	3/2003	Douglas et al.	
D472,630 S	4/2003	Douglas et al.	
6,561,549 B1	5/2003	Moris et al.	
6,581,974 B1	6/2003	Ragner et al.	
6,893,055 B2	5/2005	Thomas et al.	
6,915,705 B1	7/2005	Truitt	
6,932,390 B1	8/2005	Gretz	
6,953,354 B2	10/2005	Edirisuriya	
7,007,694 B2	3/2006	Aylsworth et al.	
D522,360 S	6/2006	Caserta	
7,201,167 B2	4/2007	Fink et al.	
D543,620 S	5/2007	Chu et al.	
D547,657 S	7/2007	Tacchella	
D551,340 S	9/2007	Wood et al.	
7,263,994 B2	9/2007	Gradon et al.	
7,267,121 B2	9/2007	Ivri	
D553,005 S	10/2007	Py	
7,290,541 B2	11/2007	Ivri et al.	
D556,899 S	12/2007	Veliss et al.	
7,306,121 B2	12/2007	Ophardt	
7,311,752 B2	12/2007	Tepper	

(56) **References Cited**

U.S. PATENT DOCUMENTS

132,604 A	10/1872	Smith et al.
327,877 A	10/1885	Hodges
1,880,098 A	9/1932	Mair
2,124,474 A	7/1938	Scholtes
2,479,580 A	8/1949	Marco
3,513,844 A	5/1970	Smith
3,815,754 A	6/1974	Rosenberg
4,036,616 A	7/1977	Byrns
4,111,514 A	9/1978	Brishka et al.
4,128,407 A	12/1978	Chapel
D267,199 S	12/1982	Koenig



US D974,551 S

D570,457 S	6/2008	Brown		D804,661 S	12/2017	Shoji et al.	
7,406,966 B2	8/2008	Wondka		D805,629 S	12/2017	Fiorenza	
7,458,615 B2	12/2008	White et al.		D807,995 S	1/2018	Maeckelberghe et al.	
D586,911 S	2/2009	McAuley et al.		9,868,001 B2	1/2018	Walker et al.	
D600,343 S	9/2009	Degabriele et al.		9,879,807 B2	1/2018	Brugger et al.	
D606,494 S *	12/2009	Holliday	D13/133	D809,656 S	2/2018	Lau et al.	
D612,481 S	3/2010	Reid et al.		9,884,176 B2	2/2018	Fangrow	
7,785,300 B2	8/2010	Ishii et al.		D816,216 S	4/2018	Gulliver et al.	
D627,059 S	11/2010	Wood et al.		D825,749 S	8/2018	Huang et al.	
D631,452 S	1/2011	DeGross et al.		D827,125 S	8/2018	Nilsson	
D631,542 S	1/2011	DeGross		D827,126 S	8/2018	Nilsson et al.	
D637,713 S	5/2011	Nord et al.		D832,431 S	10/2018	Turturro	
7,946,291 B2	5/2011	Fink et al.		D834,533 S	11/2018	Maroney	
D645,547 S	9/2011	Lombardi et al.		D834,712 S	11/2018	Gulliver et al.	
8,020,551 B2	9/2011	Virr et al.		D835,260 S	12/2018	Lisberg	
D654,573 S	2/2012	Lombardi et al.		D837,743 S	1/2019	Maroney	
D656,231 S	3/2012	Henry et al.		D841,147 S	2/2019	McCool et al.	
D661,785 S	6/2012	Johnson		D841,148 S	2/2019	Stoks et al.	
8,317,203 B2	11/2012	Hermle et al.		10,245,407 B2	4/2019	Osborne	
D672,037 S	12/2012	Miller		10,265,492 B2	4/2019	Amarasinghe et al.	
8,376,412 B2	2/2013	Johnson		D849,242 S	5/2019	Wilson	
8,397,727 B2	3/2013	Ng et al.		D849,931 S	5/2019	Prentice	
D682,415 S	5/2013	Mogensen et al.		10,322,254 B2	6/2019	Fong et al.	
8,439,039 B2	5/2013	Gunaratnam et al.		D852,949 S	7/2019	Klenner et al.	
D685,463 S	7/2013	Veliss et al.		10,335,583 B2	7/2019	Gulliver et al.	
8,485,193 B2	7/2013	Worley		D855,794 S	8/2019	Gray	
8,534,278 B2	9/2013	Colman et al.		D856,510 S	8/2019	Scheirlinck	
D691,712 S	10/2013	Judson et al.		D857,880 S	8/2019	Lau et al.	
D691,717 S	10/2013	McLean et al.		D860,445 S	9/2019	Ho	
D692,555 S	10/2013	Maksym et al.		D861,162 S	9/2019	Gulliver et al.	
D695,890 S	12/2013	Bowden et al.		D863,545 S	10/2019	Dantanarayana	
D697,200 S	1/2014	Mahaffy		D867,583 S	11/2019	Yang et al.	
D698,440 S	1/2014	Lombardi, III		D867,586 S	11/2019	Kemps	
8,622,057 B2	1/2014	Ujhazy et al.		D867,587 S	11/2019	Holtz et al.	
D707,355 S	6/2014	Bow		D870,878 S	12/2019	Wiison	
8,741,220 B2	6/2014	O'Donnell et al.		D876,617 S *	2/2020	Scheirlinck	D24/110.4
D710,695 S	8/2014	Pritikin		D878,546 S	3/2020	Formica et al.	
8,814,849 B1	8/2014	Winsor		D878,549 S	3/2020	Wilson	
D717,942 S	11/2014	Neff et al.		D879,953 S	3/2020	Ljunglof et al.	
D724,720 S	3/2015	O'Connor et al.		D879,956 S	3/2020	Klenner	
8,967,144 B2	3/2015	Lurie		D880,686 S	4/2020	Stoks et al.	
D726,287 S	4/2015	Steele		D887,577 S	6/2020	Shor et al.	
D727,492 S	4/2015	Scampoli		D893,024 S	7/2020	Whiteside	
D735,038 S	7/2015	Tamarindo		D893,016 S	8/2020	Wilson	
D735,326 S	7/2015	Guiliver		D895,103 S	9/2020	Dantanarayana	
D736,906 S	8/2015	Schultz		D896,758 S	9/2020	Watkins	
D736,914 S	8/2015	Schultz		D896,929 S	9/2020	Vranish	
D737,963 S	9/2015	Srinivasan et al.		10,786,663 B2	9/2020	Lauer	
9,188,267 B2	11/2015	Fansler et al.		D899,590 S	10/2020	Gulliver et al.	
D746,416 S *	12/2015	Bariar	D23/259	10,792,486 B2	10/2020	Nelson	
D747,471 S	1/2016	Guiliver et al.		D903,121 S	11/2020	Chan	
D747,794 S	1/2016	Greenberg et al.		10,835,733 B1	11/2020	Gulliver et al.	
D750,239 S	2/2016	Pappalardo		D909,564 S	2/2021	Bogan	
D757,259 S	5/2016	Duck		D910,840 S	2/2021	Klenner et al.	
D757,933 S	5/2016	Lev et al.		D917,690 S	4/2021	Lau et al.	
D759,486 S	6/2016	Ingram		D923,169 S	6/2021	McCool et al.	
D764,049 S	8/2016	Cullen et al.		D923,768 S	6/2021	Maeckelberghe et al.	
D768,285 S	10/2016	Reed		D924,154 S *	7/2021	Dykas	D13/133
D771,247 S	11/2016	Shinohara et al.		D924,377 S *	7/2021	Kwak	D23/262
D777,317 S	1/2017	Soual et al.		D925,734 S	7/2021	Park	
D777,324 S	1/2017	Nguyen		D928,925 S *	8/2021	Lei	D23/262
D781,417 S	3/2017	Ingram		D928,948 S	8/2021	Gulliver et al.	
D784,525 S	4/2017	Nguyen		D928,949 S	8/2021	Gulliver et al.	
D785,161 S	4/2017	Dravitzki et al.		D930,184 S	9/2021	Johnson	
D785,789 S	5/2017	Turturro et al.		D933,815 S	10/2021	Eves et al.	
D787,053 S	5/2017	Huang et al.		D938,016 S	12/2021	Eves et al.	
D787,054 S	5/2017	Rini et al.		D940,861 S	1/2022	Mosen et al.	
D787,661 S	5/2017	Edwards et al.		11,224,728 B2	1/2022	Ignon	
D790,054 S	6/2017	Prentice et al.		D944,936 S *	3/2022	Chaves	D24/129
9,669,181 B2	6/2017	Miller et al.		D944,939 S *	3/2022	Chaves	D24/129
9,675,774 B2	6/2017	Cipollone		D948,027 S *	4/2022	Babbage	D24/110
D791,310 S	7/2017	Maurice		D949,294 S *	4/2022	Chandler	D23/259
D791,938 S	7/2017	Becker		D949,295 S *	4/2022	Chaves	D23/262
D791,939 S	7/2017	Turturro et al.		2001/0004970 A1	6/2001	Hollister	
D794,184 S	8/2017	Smith et al.		2001/0029949 A1	10/2001	Blackhurst et al.	
D794,781 S	8/2017	Gilbert et al.		2002/0017302 A1	2/2002	Fukunaga et al.	
D800,895 S	10/2017	Prentice		2002/0112730 A1	8/2002	Dutkiewicz	
D804,023 S	11/2017	Huang et al.		2002/0173748 A1	11/2002	McConnell	
9,808,612 B2	11/2017	Gulliver et al.		2004/0090066 A1	5/2004	Hoffmann	

US D974,551 S

Page 3

2004/0103686	A1	6/2004	Fehr et al.	2017/0361051	A1	12/2017	Eifler
2004/0108218	A1	6/2004	Stubergh	2018/0064901	A1	3/2018	Colman
2004/0261797	A1	12/2004	White et al.	2018/0078728	A1	3/2018	Holyoake et al.
2005/0011524	A1	1/2005	Thomlinson et al.	2018/0085544	A1	3/2018	Holyoake
2005/0028822	A1	2/2005	Sleeper et al.	2018/0117270	A1	5/2018	Bassin
2005/0077726	A1	4/2005	White et al.	2018/0140819	A1	5/2018	Yang
2005/0283114	A1	12/2005	Bresina	2018/0200148	A1	7/2018	Sanders
2006/0107958	A1	5/2006	Sleeper	2019/0022344	A1	1/2019	Lau et al.
2006/0107960	A1	5/2006	Smart	2019/0167935	A1	6/2019	Siew et al.
2006/0113690	A1	6/2006	Huddart	2019/0321617	A1	10/2019	Gulliver et al.
2007/0043334	A1	2/2007	Guala	2019/0381268	A1	12/2019	Colman
2007/0088327	A1	4/2007	Guala	2020/0129724	A1	4/2020	Nelson
2007/0163588	A1	7/2007	Hebrank et al.	2021/0322706	A1	10/2021	Lau et al.
2007/0169825	A1	7/2007	Packham et al.	2021/0361924	A1	11/2021	Gulliver et al.
2007/0175473	A1	8/2007	Lewis et al.	2021/0402126	A1	12/2021	Lau et al.
2008/0041391	A1	2/2008	Worley	2021/0402127	A1	12/2021	Lau et al.
2008/0093846	A1	4/2008	Sparks et al.				
2008/0105257	A1	5/2008	Klasek				
2008/0142019	A1	6/2008	Lewis et al.				
2008/0183153	A1	7/2008	Enns				
2008/0190436	A1	8/2008	Jaffe et al.				
2008/0264413	A1	10/2008	Doherty				
2008/0287920	A1	11/2008	Fangrow et al.				
2009/0101147	A1	4/2009	Landis et al.				
2009/0120434	A1	5/2009	Smith et al.				
2009/0223523	A1	9/2009	Chang				
2009/0223963	A1	9/2009	Bisio				
2009/0266357	A1	10/2009	Varis et al.				
2009/0299158	A1	12/2009	Boatner et al.				
2010/0043789	A1	2/2010	Fine et al.				
2010/0116272	A1	5/2010	Row et al.				
2010/0163051	A1	7/2010	Brewer et al.				
2010/0168600	A1	7/2010	Adriance et al.				
2010/0192957	A1	8/2010	Hobson et al.				
2010/0206310	A1	8/2010	Matsubara et al.				
2010/0242961	A1	9/2010	Mougel et al.				
2011/0067704	A1	3/2011	Kooij et al.				
2011/0139826	A1	6/2011	Hair				
2011/0162644	A1	7/2011	Ujhazy et al.				
2011/0240031	A1	10/2011	Jaffre				
2011/0253136	A1	10/2011	Sweeney et al.				
2011/0265796	A1	11/2011	Amarasinghe et al.				
2013/0037030	A1	2/2013	Matula				
2013/0104888	A1	5/2013	Landis et al.				
2013/0133651	A1	5/2013	Barker et al.				
2013/0167841	A1	7/2013	Sheffer et al.				
2013/0255670	A1	10/2013	Ott et al.				
2013/0264821	A1	10/2013	Duck				
2013/0284167	A1	10/2013	Porteous et al.				
2014/0000626	A1	1/2014	O'Connor et al.				
2014/0014108	A1	1/2014	Dillard				
2014/0053846	A1	2/2014	Wood				
2014/0144438	A1	5/2014	Klasek				
2014/0191501	A1	7/2014	Brugger et al.				
2014/0200475	A1	7/2014	Rubin				
2014/0238401	A1	8/2014	Paschall				
2014/0261416	A1	9/2014	Arcilia et al.				
2014/0338669	A1	11/2014	Zhao et al.				
2014/0373841	A1	12/2014	Nashed				
2015/0059745	A1	3/2015	Barker et al.				
2015/0083121	A1	3/2015	Fisher				
2015/0128944	A1	5/2015	Buechi				
2015/0167877	A1	6/2015	Kendrick				
2015/0290416	A1	10/2015	Kiasek				
2015/0306332	A1	10/2015	Bafle et al.				
2015/0320949	A1	11/2015	Jaffe				
2015/0320962	A1	11/2015	Bafle et al.				
2016/0001031	A1	1/2016	Laing et al.				
2016/0082218	A1	3/2016	Lau				
2016/0106913	A1	4/2016	Ng et al.				
2016/0131292	A1	5/2016	Decker				
2016/0193440	A1	7/2016	Sheffer et al.				
2016/0228668	A1	8/2016	Martin				
2016/0287824	A1	10/2016	Chang				
2016/0305574	A1	10/2016	Burdge				
2017/0036007	A1	2/2017	Hallisey et al.				
2017/0065788	A1	3/2017	Chou				
2017/0065789	A1	3/2017	Reed				
2017/0197055	A1	7/2017	Moody				

FOREIGN PATENT DOCUMENTS

CN	101365509	2/2009
CN	201775849	3/2011
CN	102019014	4/2011
DE	3709122	9/1988
DE	102007063556	7/2009
EM	008110019-0001	9/2020
EP	1 068 889	1/2001
EP	1 181 945	2/2002
EP	0 809 768	7/2002
EP	1 277 488	1/2003
EP	1 314 446	5/2003
EP	1 403 838	3/2004
EP	1 408 313	4/2004
EP	1 479 405	11/2004
EP	1 481 702	12/2004
EP	1 520 599	4/2005
EP	1 023 912	B1 11/2005
EP	1 449 502	12/2007
EP	1 933 074	6/2018
EP	2 925 396	9/2020
GB	2328260	2/1999
GB	6141531	* 6/2021
JP	09-028806	2/1997
JP	2007-236567	9/2007
JP	D1639030	8/2019
KR	1020040103139	12/2004
WO	WO 90/014122	11/1990
WO	WO 94/004211	3/1994
WO	WO 97/015376	5/1997
WO	WO 99/012598	3/1999
WO	WO 03/082406	10/2003
WO	WO 04/108218	12/2004
WO	WO 05/018524	3/2005
WO	WO 05/079670	9/2005
WO	WO 05/102431	11/2005
WO	WO 07/019625	2/2007
WO	WO 07/024812	3/2007
WO	WO 08/144447	11/2008
WO	WO 09/094532	7/2009
WO	WO 09/146484	12/2009
WO	WO 11/062510	5/2011
WO	WO 11/079226	6/2011
WO	WO 12/052903	4/2012
WO	WO 13/022356	2/2013
WO	WO 13/088439	6/2013
WO	WO 13/127474	9/2013
WO	WO 14/015382	1/2014
WO	WO 14/077706	5/2014
WO	WO 14/097145	6/2014
WO	WO 14/129912	8/2014
WO	WO 15/038014	3/2015
WO	WO 16/157101	10/2016

OTHER PUBLICATIONS

Hudson Dual Spray MDI Adaptor, CS/50, RC Medical Incorporated, [Post date: Post date unknown], [Site seen May 23, 2022], Seen at URL: <https://www.rcmedical.com/viewProduct.cfm?productID=871> (Year: 2022).*

Pressure Line Adaptor for Ventilation Accessories, Medline, New Leaf Home Medical, [Post date Unknown], [Site seen May 23, 2022], Seen at URL: <https://newleafhomemedical.com/pressure-line-adaptor-for-ventilation-accessories/> (Year: 2022).*

Adaptor One Way Valve 22ODx22ID w/Oxygen Stem, Teleflex, JML Medical, [Post date unknown], [Site seen May 23, 2022], Seen at URL: <https://www.jmlmed.com/collections/respiratory-products/products/one-way-valve-by-teleflex> (Year: 2022).*

Pall Corporation, Jun. 10, 2019, Multiple-Patient-Use Anesthesia Circuits, product description, 5 pp.

Fisher & Paykel Healthcare Limited, Junior Tube and Chamber Kit brochure, 900PT531, 2012, 4 pp.

Photos of current commercial connector illustrated in reference 1, 3 pages.

Salter Labs, “Air-Q Intubating Laryngeal Airways (ILA) The everyday airway that’s ready for the unexpected.”; Dec. 2018; 8 pages.

Huapa Mini hose connector for CPAP hose CPAP accessories Resmed air nasal masks, Amazon.com, first posted Oct. 9, 2018, <https://amzn.to/3x6sdy>, 8 pp.

* cited by examiner

Primary Examiner — Natasha Vujcic

Assistant Examiner — Gilbert B Ford

(74) *Attorney, Agent, or Firm* — Knobbe, Martens, Olson & Bear, LLP

(57) **CLAIM**

We claim, the ornamental design for a conduit connector, as shown and described.

DESCRIPTION

FIG. 1 front, right side perspective view of a first embodiment of a conduit connector embodying our new design.

FIG. 2 is a rear, left side perspective view thereof.

FIG. 3 is a top view thereof.

FIG. 4 is a bottom view thereof.

FIG. 5 is a front view thereof.

FIG. 6 is a rear view thereof.

FIG. 7 is a left side view thereof.

FIG. 8 is a right side view thereof.

FIG. 9 is a sectioned view through the line 9-9 shown in FIG. 5.

FIG. 10 is a sectioned view through the line 10-10 shown in FIG. 5.

FIG. 11 front, right side perspective view of a second embodiment of a conduit connector embodying our new design.

FIG. 12 is a rear, left side perspective view thereof.

FIG. 13 is a top view thereof.

FIG. 14 is a bottom view thereof.

FIG. 15 is a front view thereof.

FIG. 16 is a rear view thereof.

FIG. 17 is a left side view thereof.

FIG. 18 is a right side view thereof.

FIG. 19 is a sectioned view through the line 19-19 shown in FIG. 15.

FIG. 20 is a sectioned view through the line 20-20 shown in FIG. 15.

FIG. 21 front, right side perspective view of a third embodiment of a conduit connector embodying our new design.

FIG. 22 is a rear, left side perspective view thereof.

FIG. 23 is a top view thereof.

FIG. 24 is a bottom view thereof.

FIG. 25 is a front view thereof.

FIG. 26 is a rear view thereof.

FIG. 27 is a left side view thereof.

FIG. 28 is right side view thereof.

FIG. 29 is a sectioned view through the line 29-29 shown in FIG. 25; and,

FIG. 30 is a sectioned view through the line 30-30 shown in FIG. 25.

The references to “left,” “right,” “front,” “rear,” “top,” and “bottom” in the figure descriptions are not meant to require certain in-use orientation; the connector assemblies and connectors according to the claimed design may be used in any orientation.

Broken lines are used to illustrate features of the conduit connector which form no part of the claimed design.

1 Claim, 30 Drawing Sheets

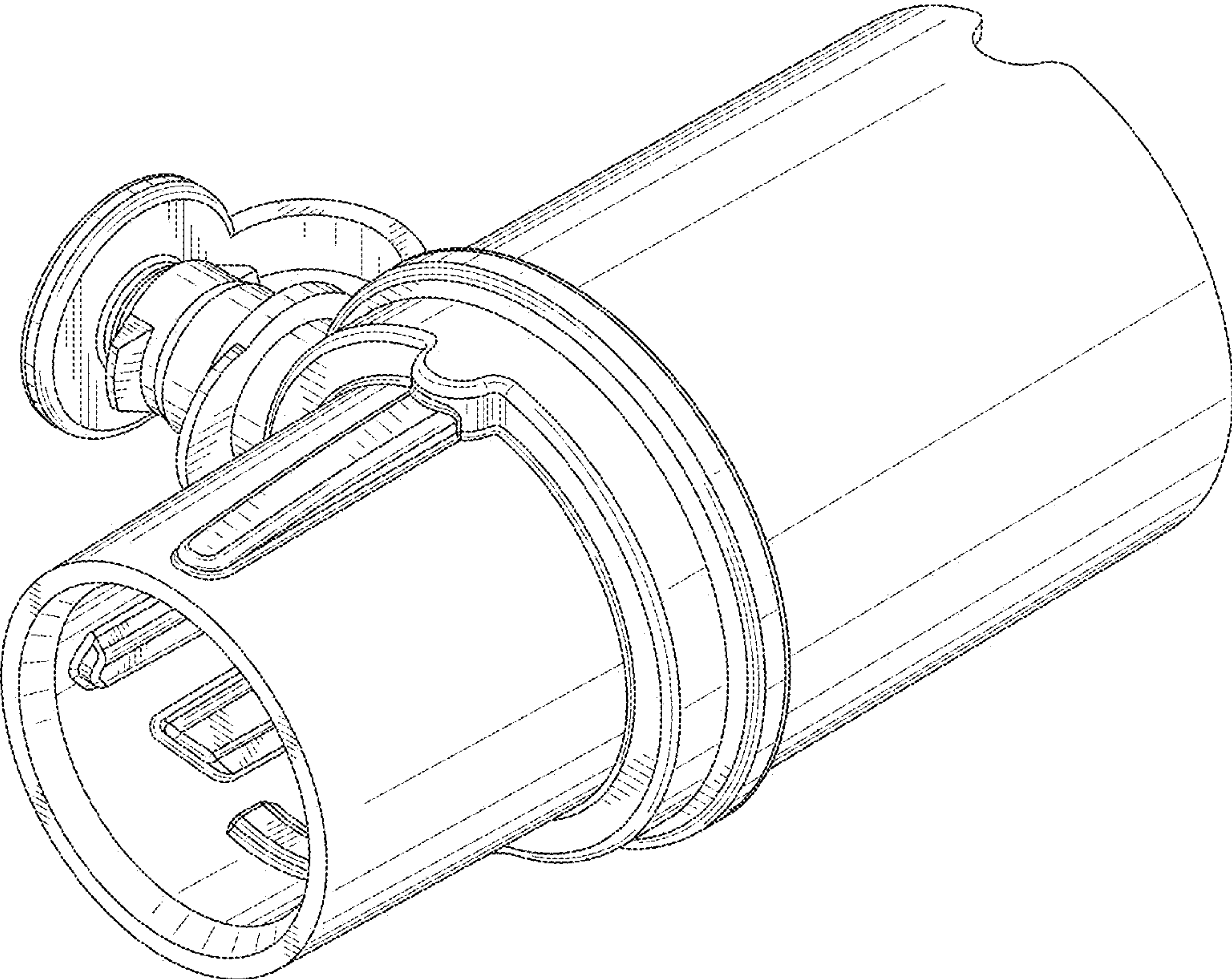


FIG. 1

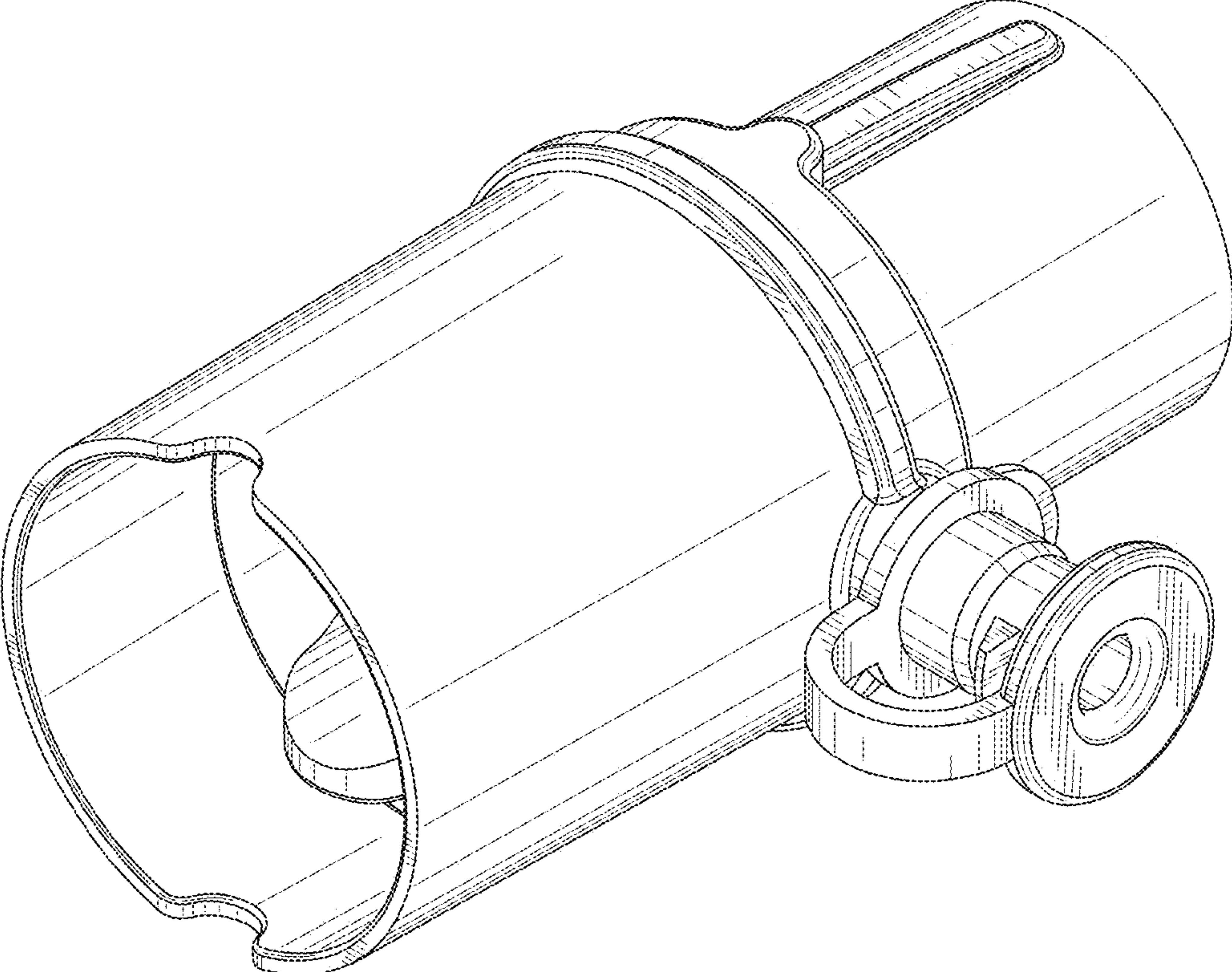


FIG. 2

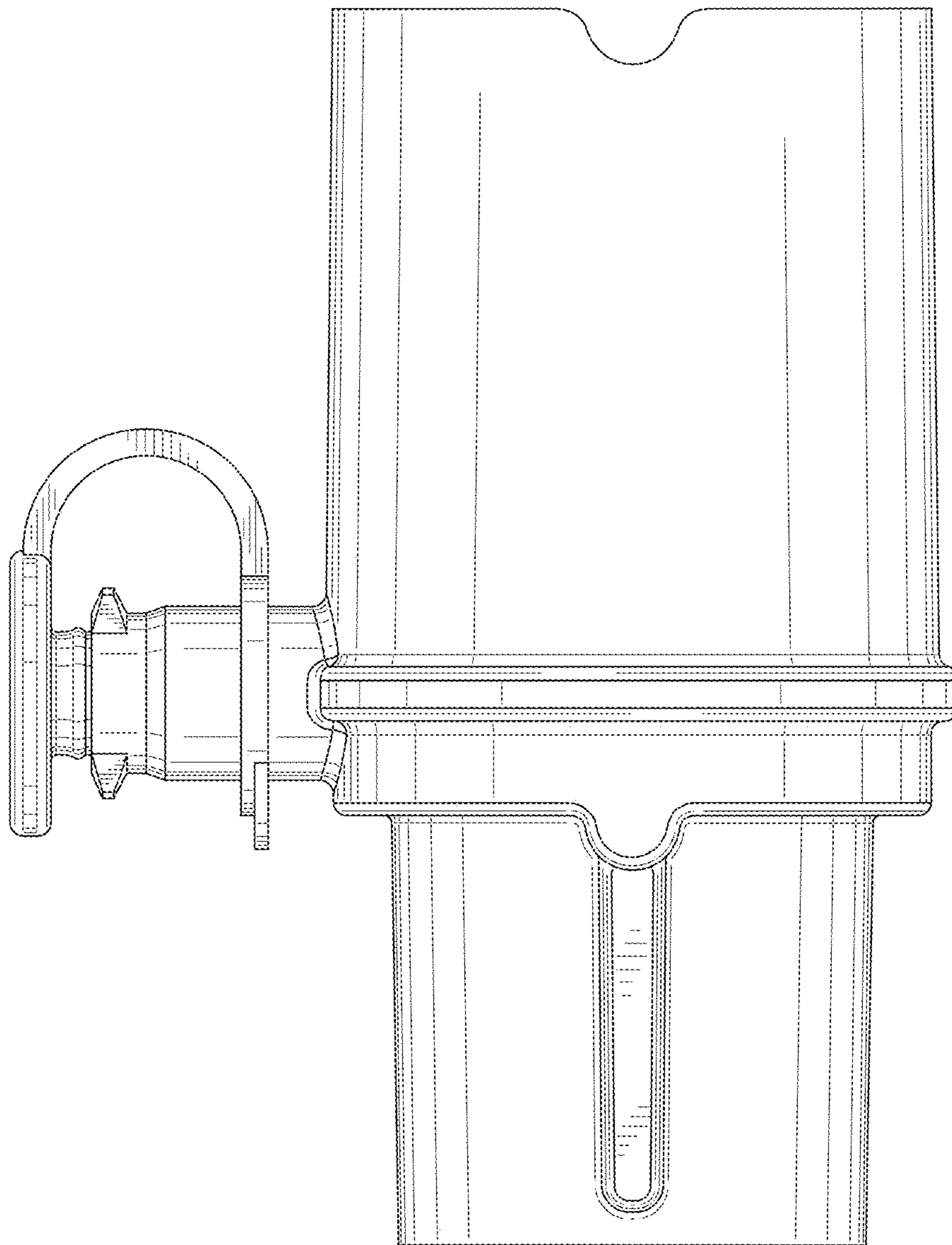


FIG. 3

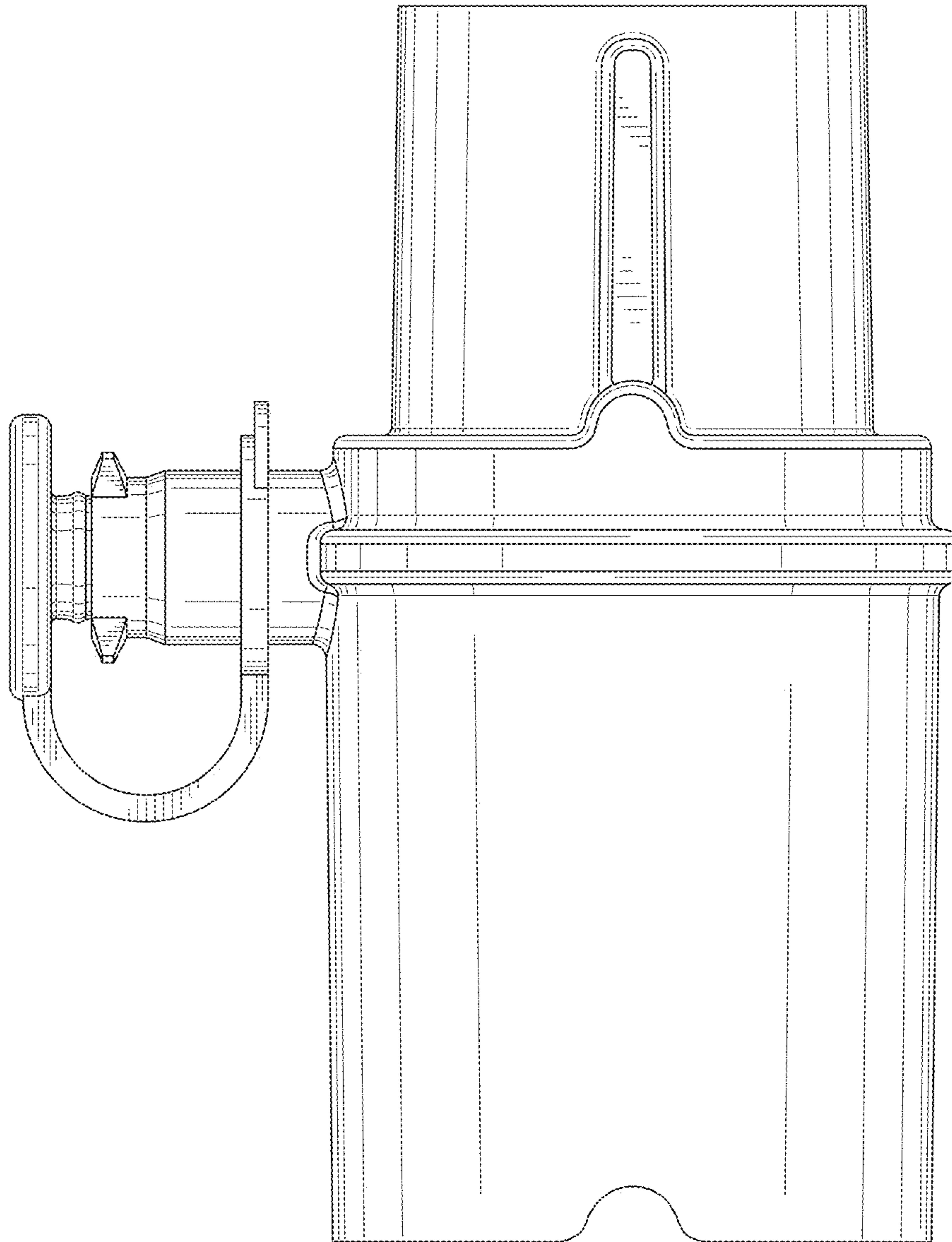


FIG. 4

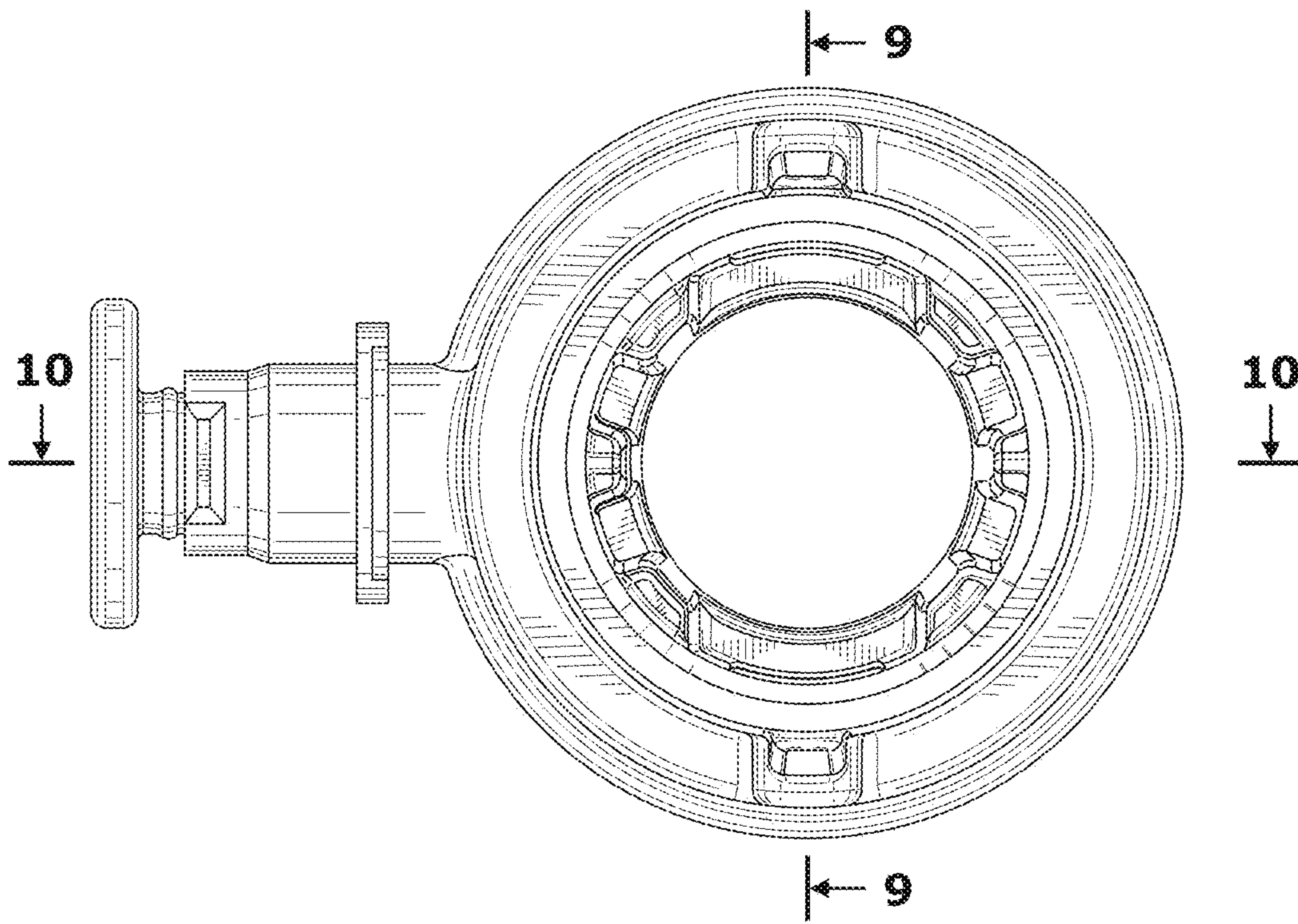


FIG. 5

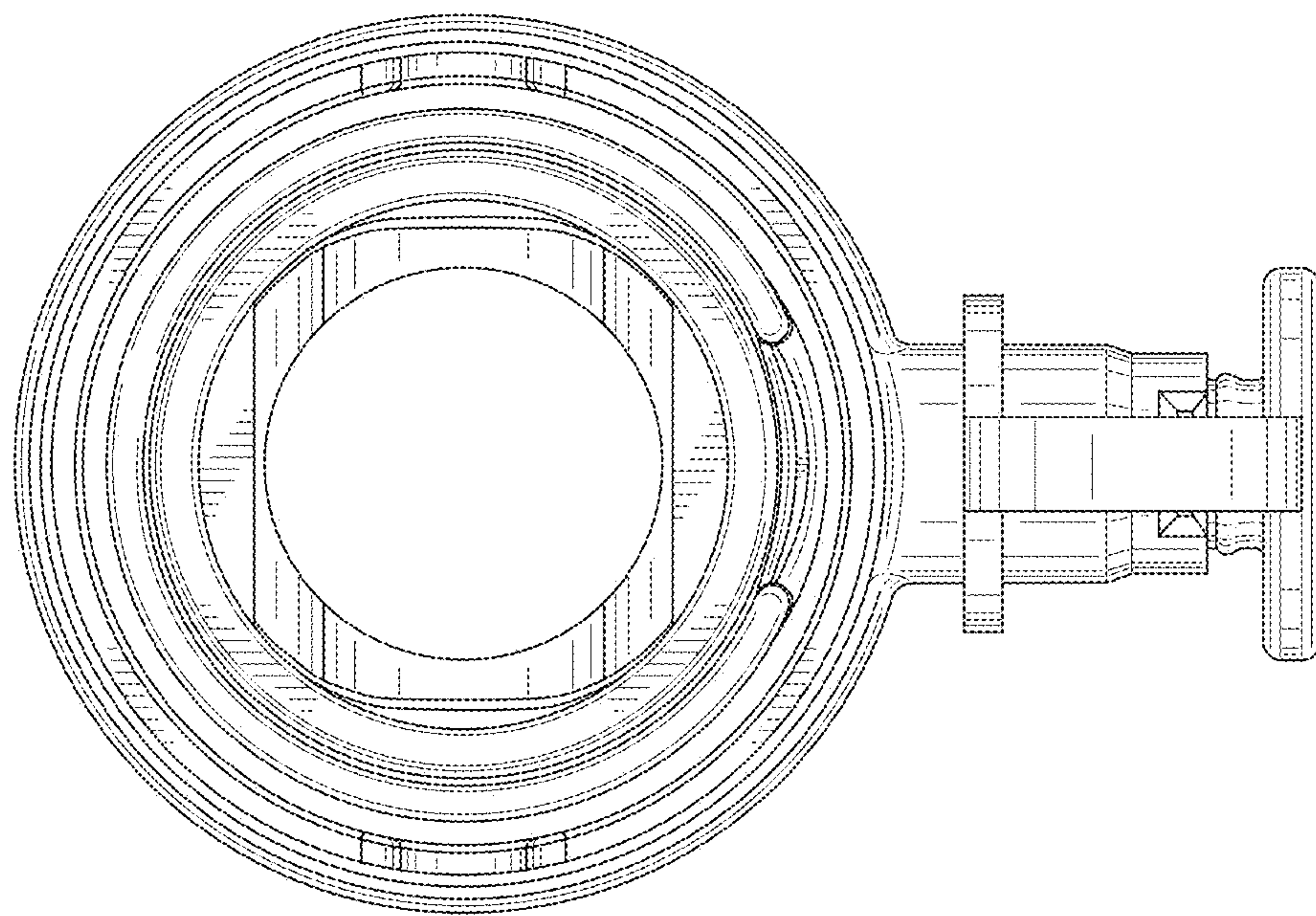


FIG. 6

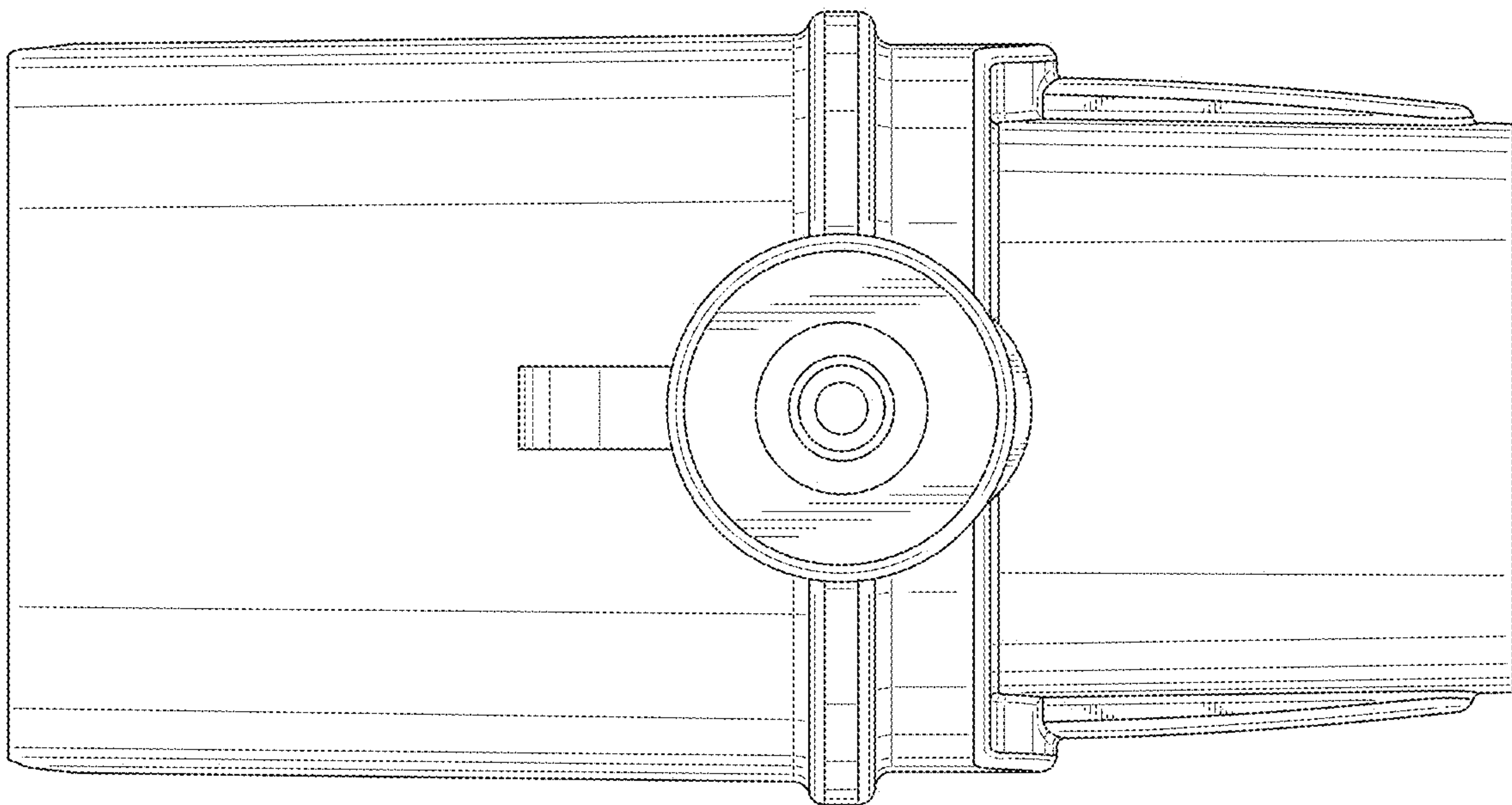


FIG. 7

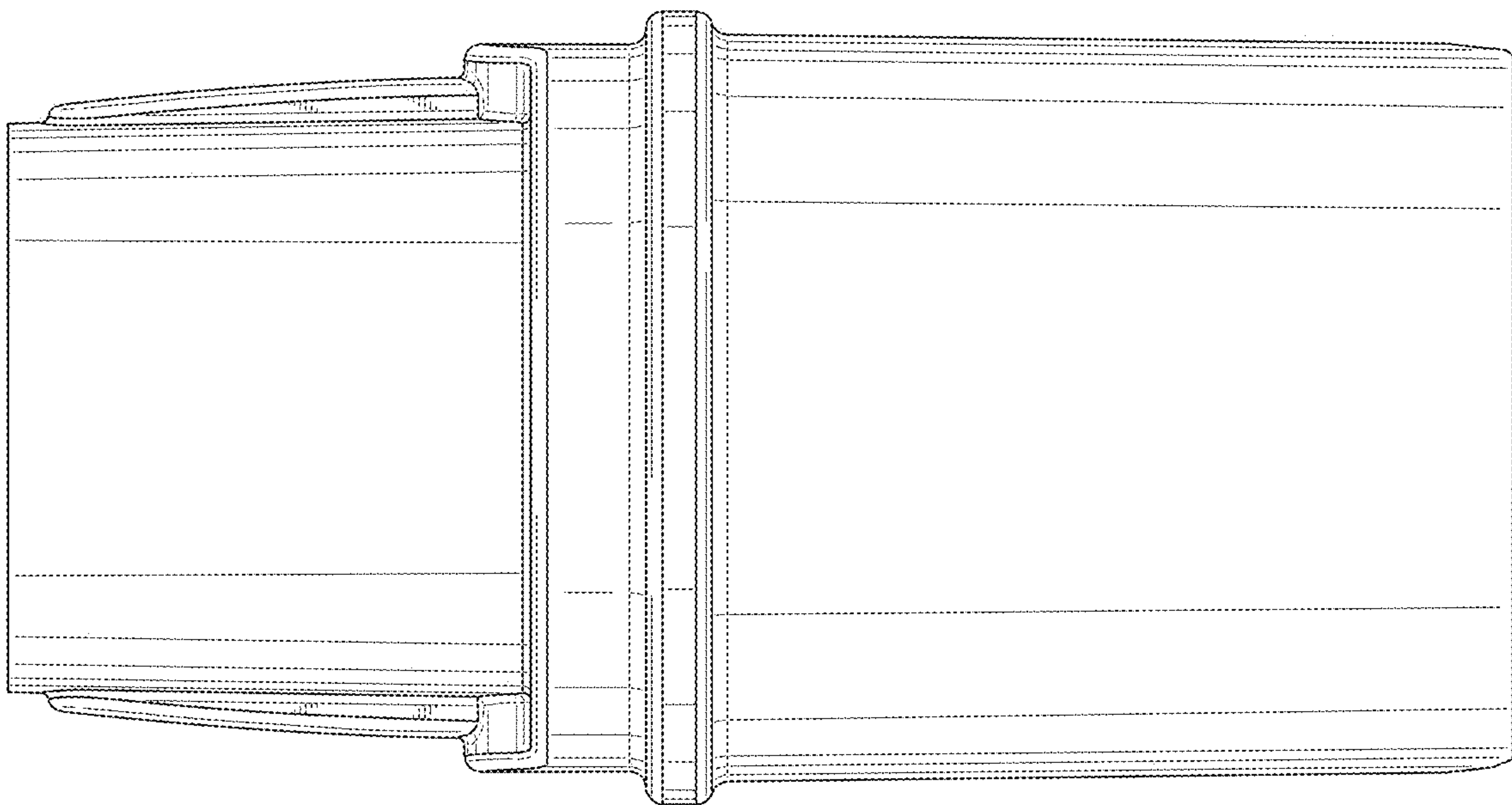


FIG. 8

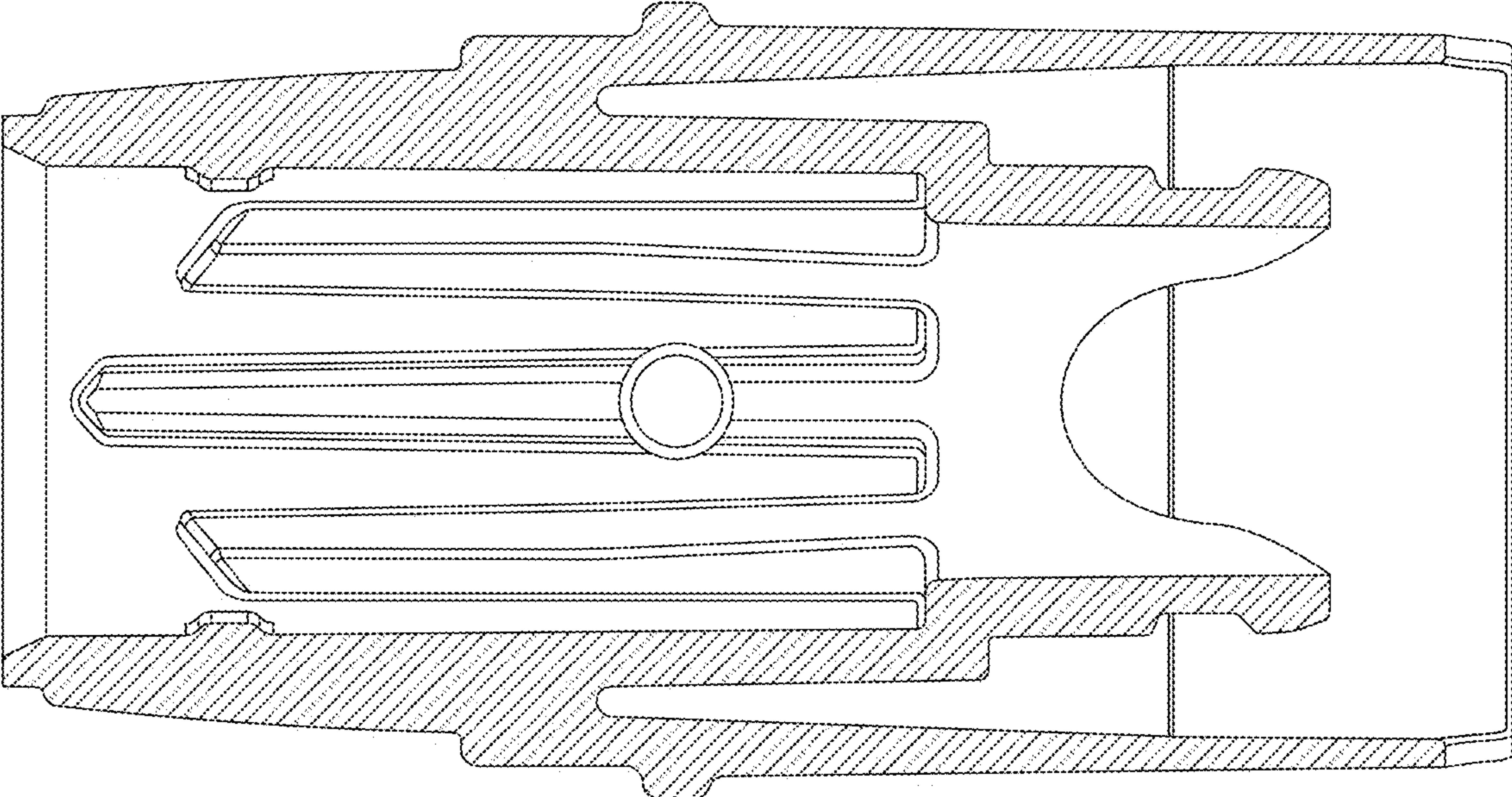


FIG. 9

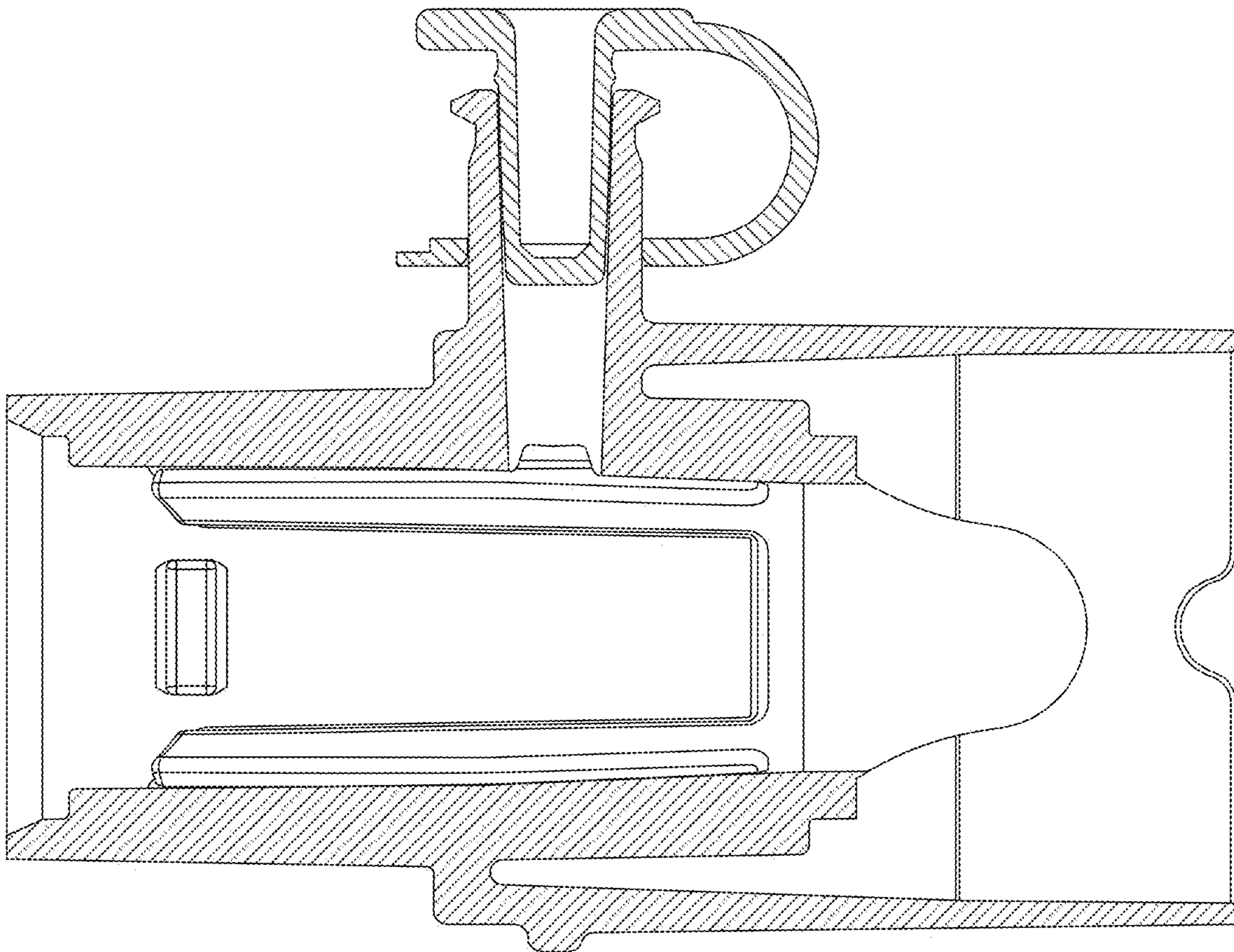


FIG. 10

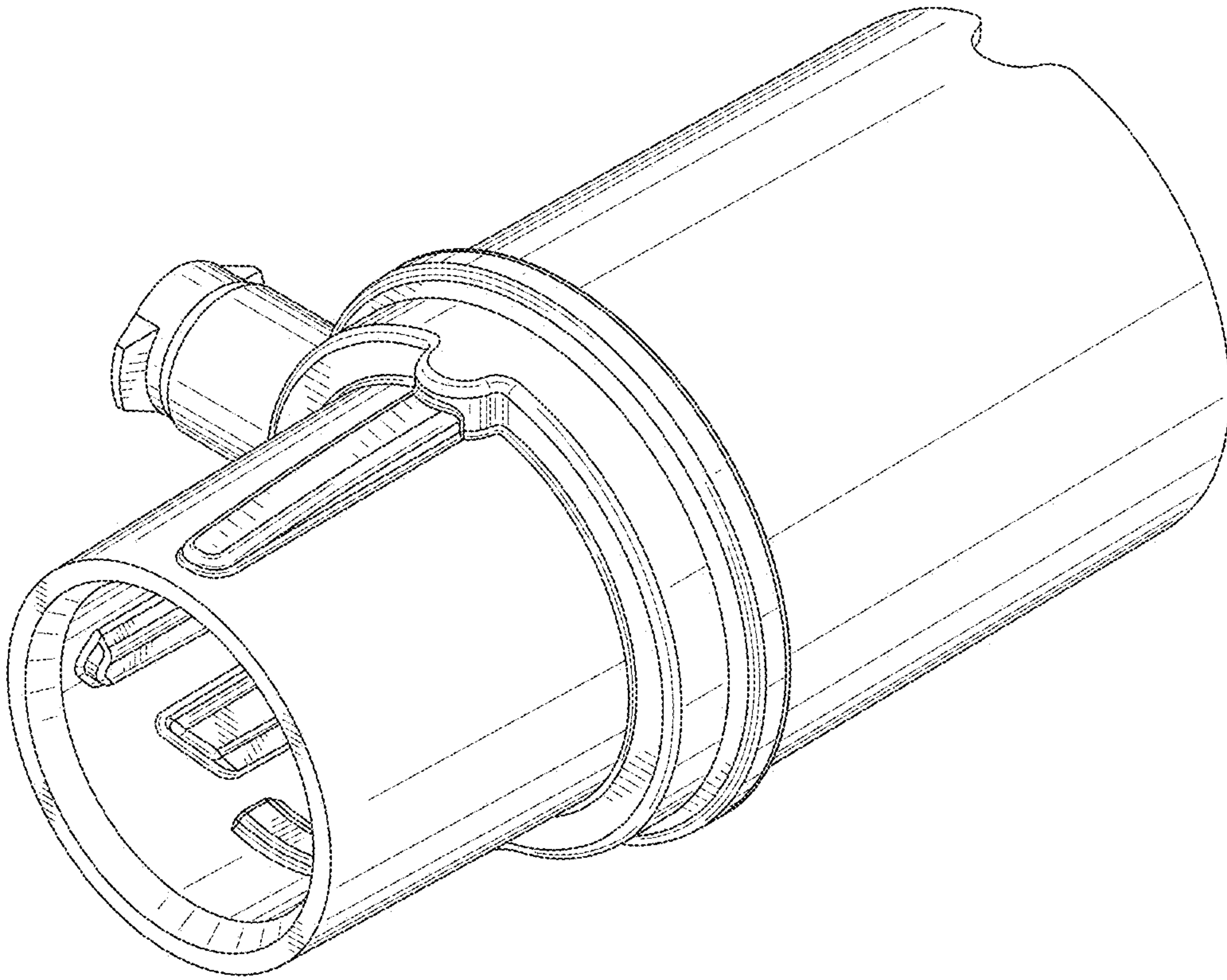


FIG. 11

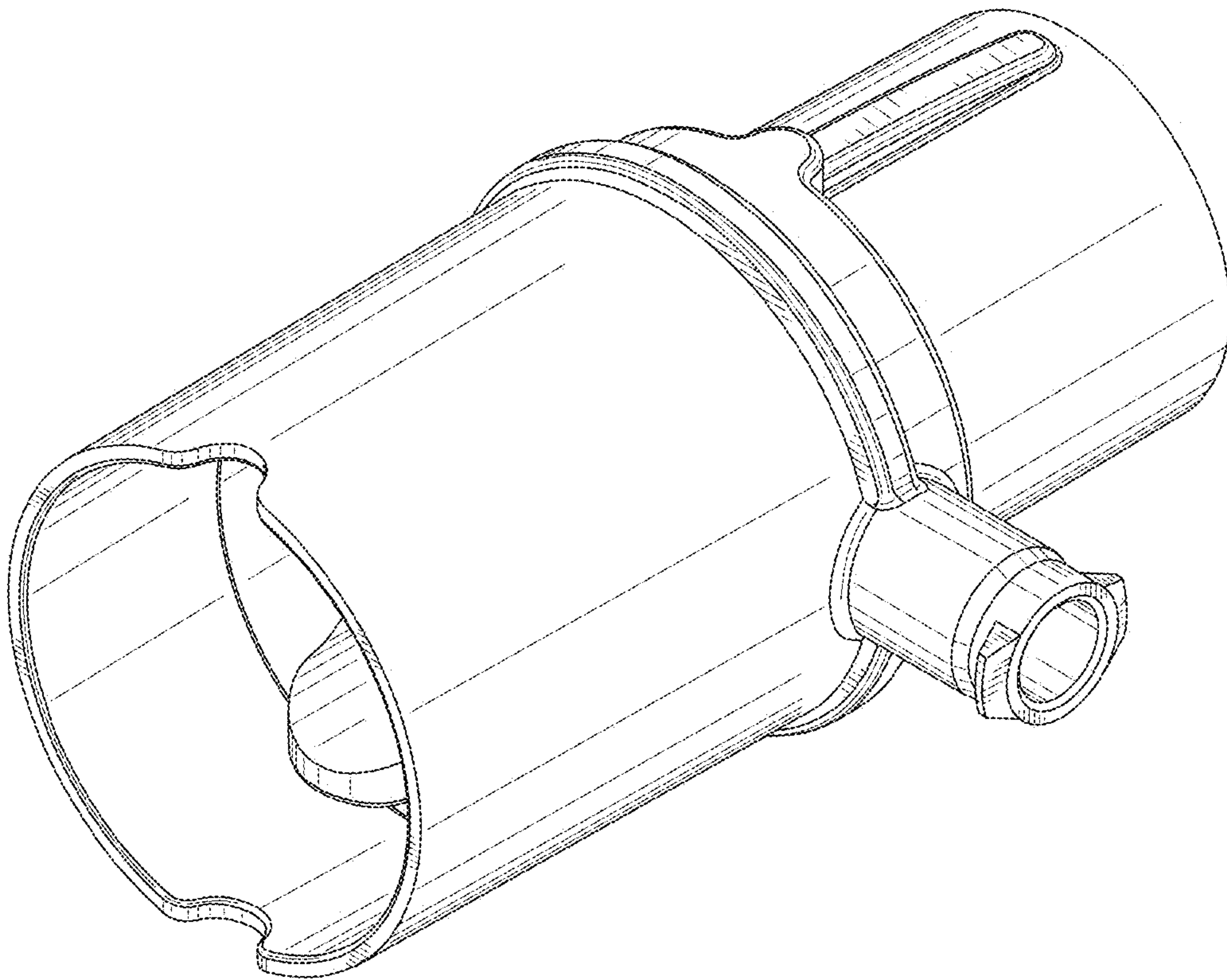


FIG. 12

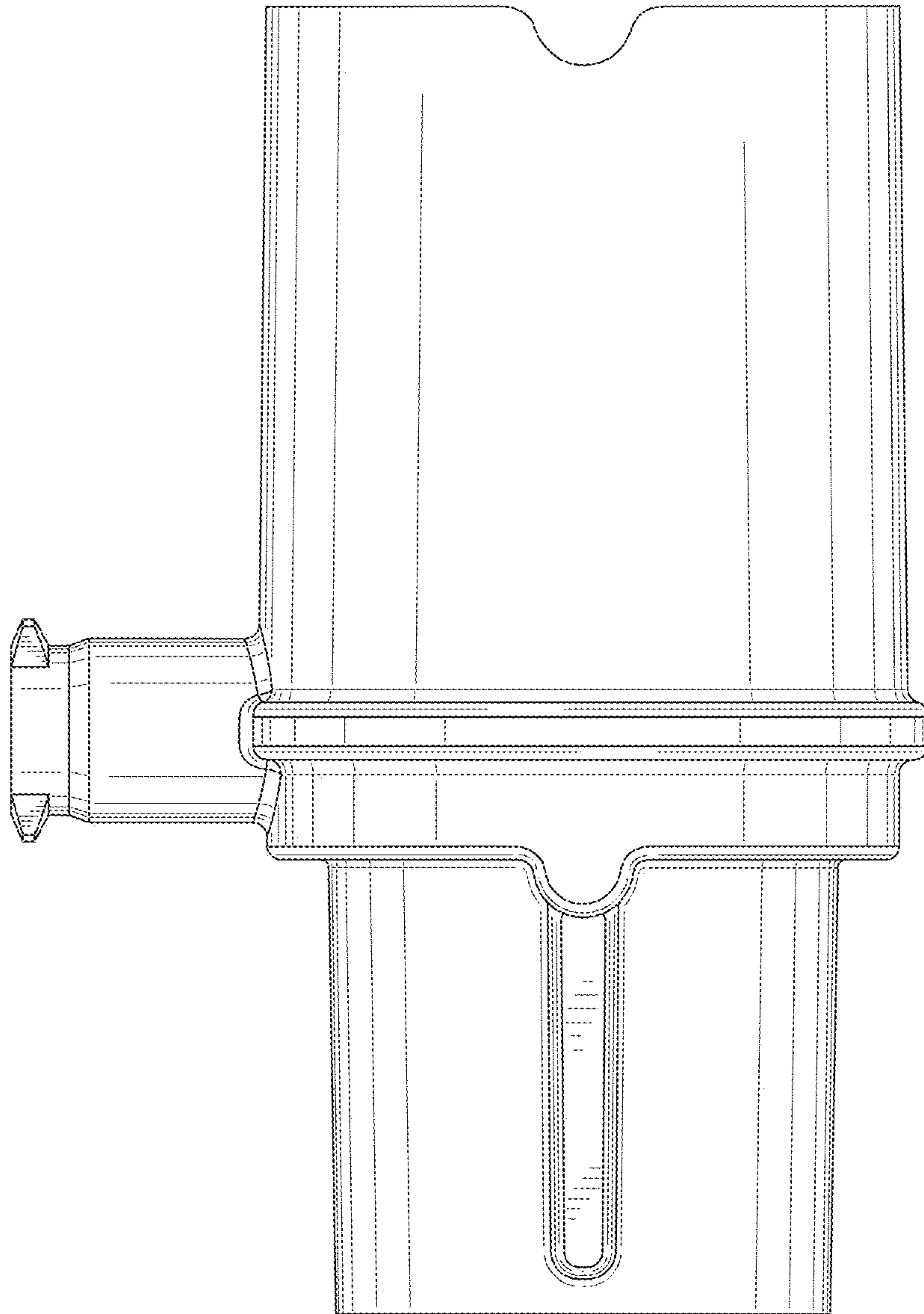


FIG. 13

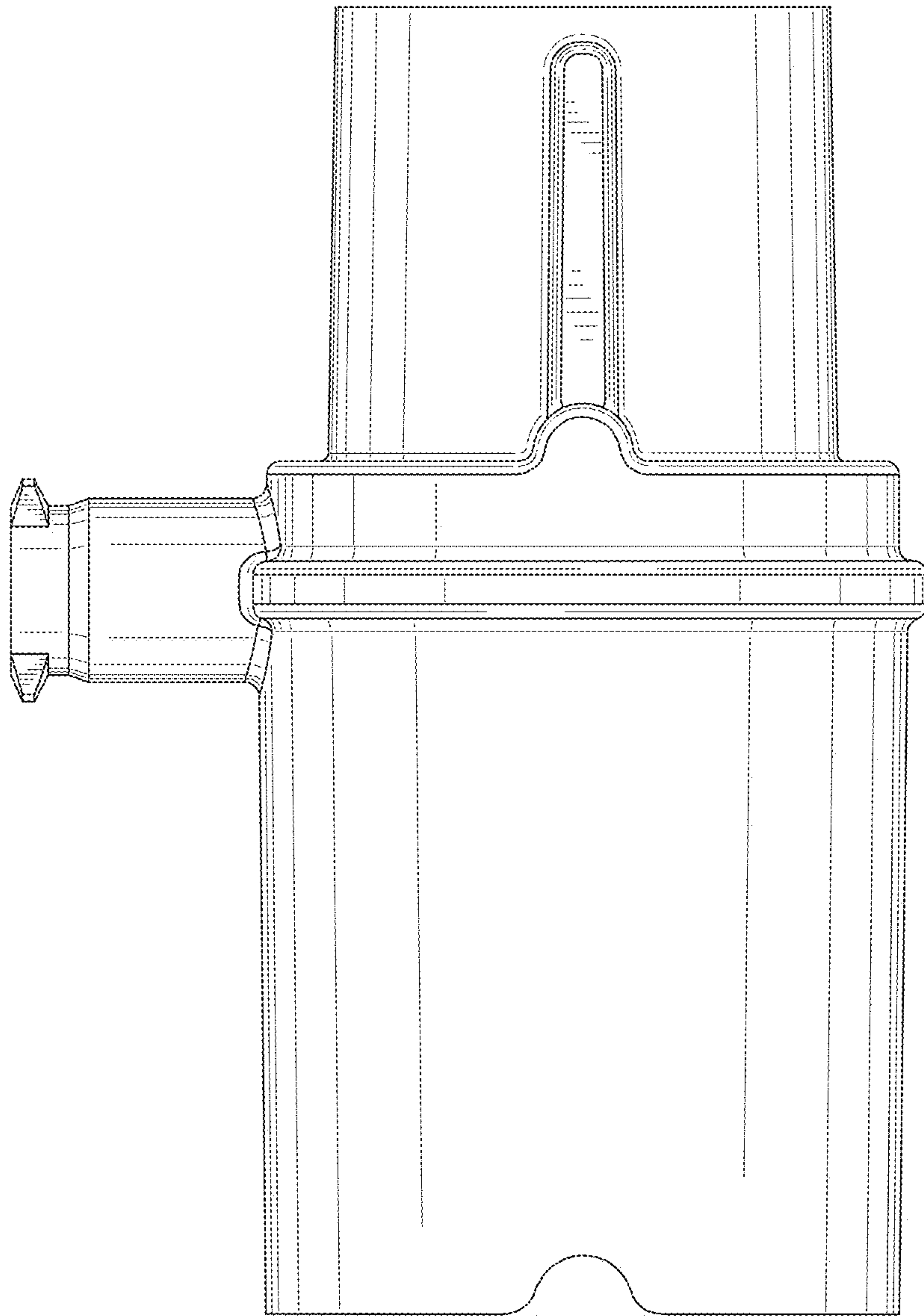


FIG. 14

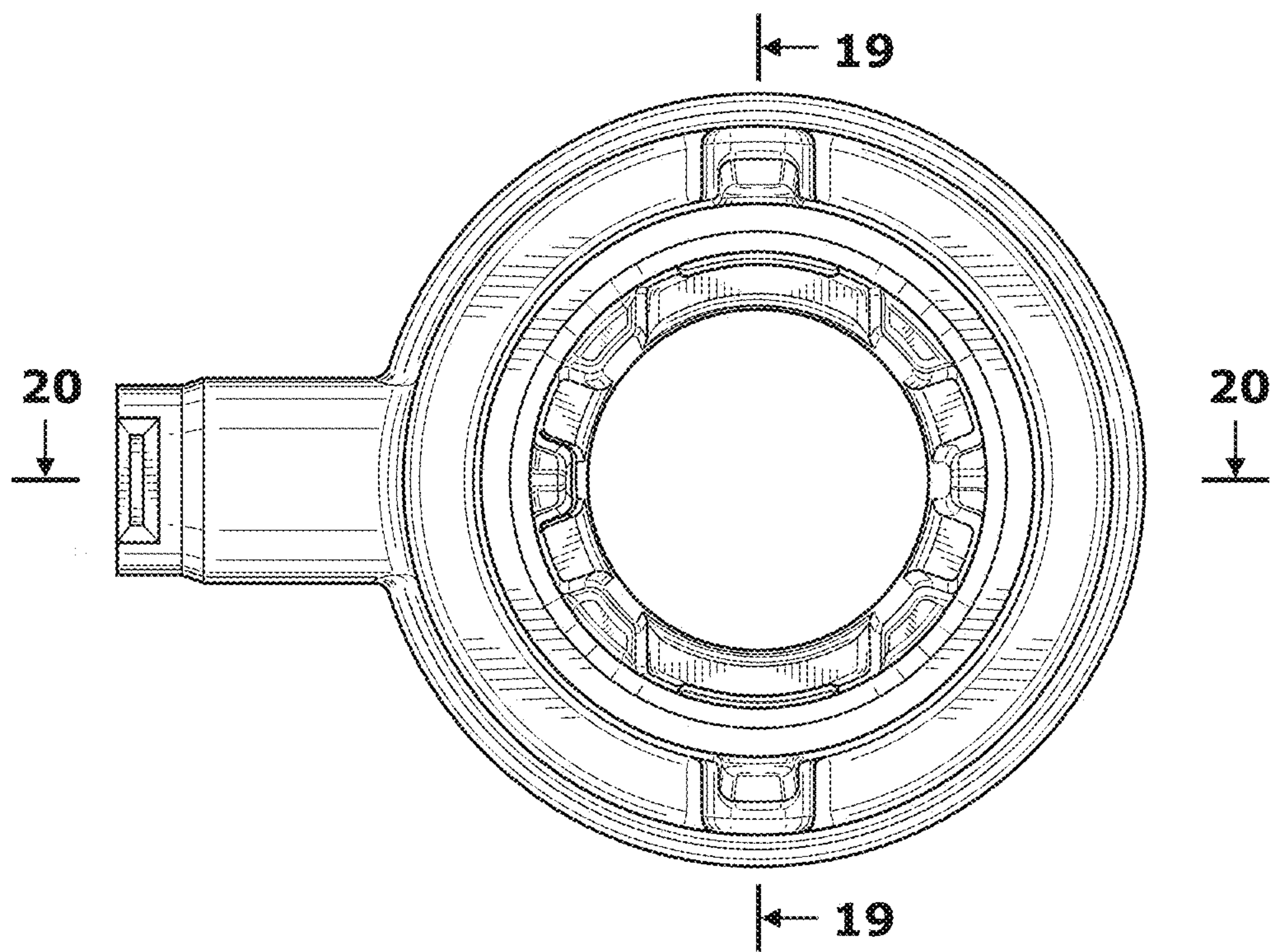


FIG. 15

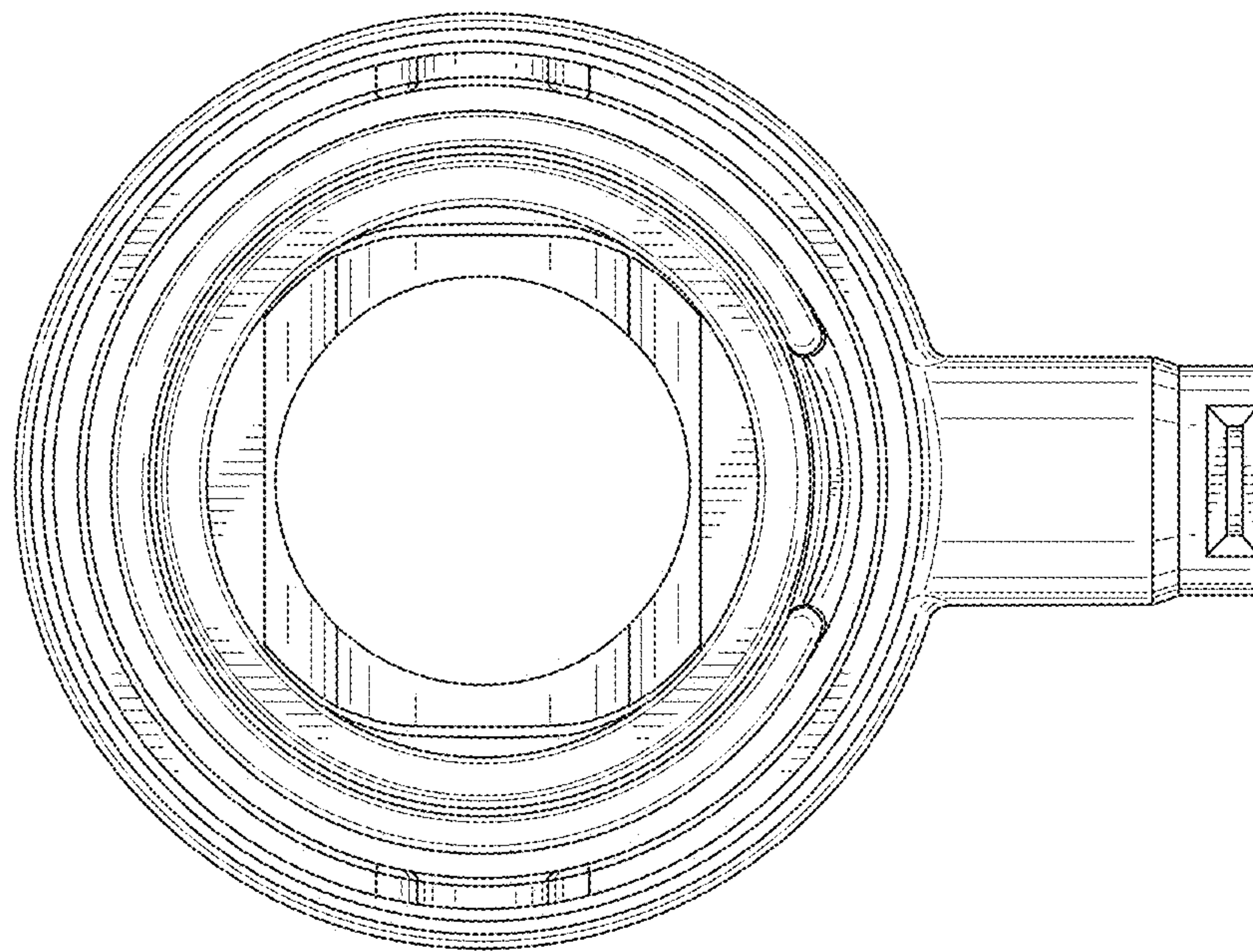


FIG. 16

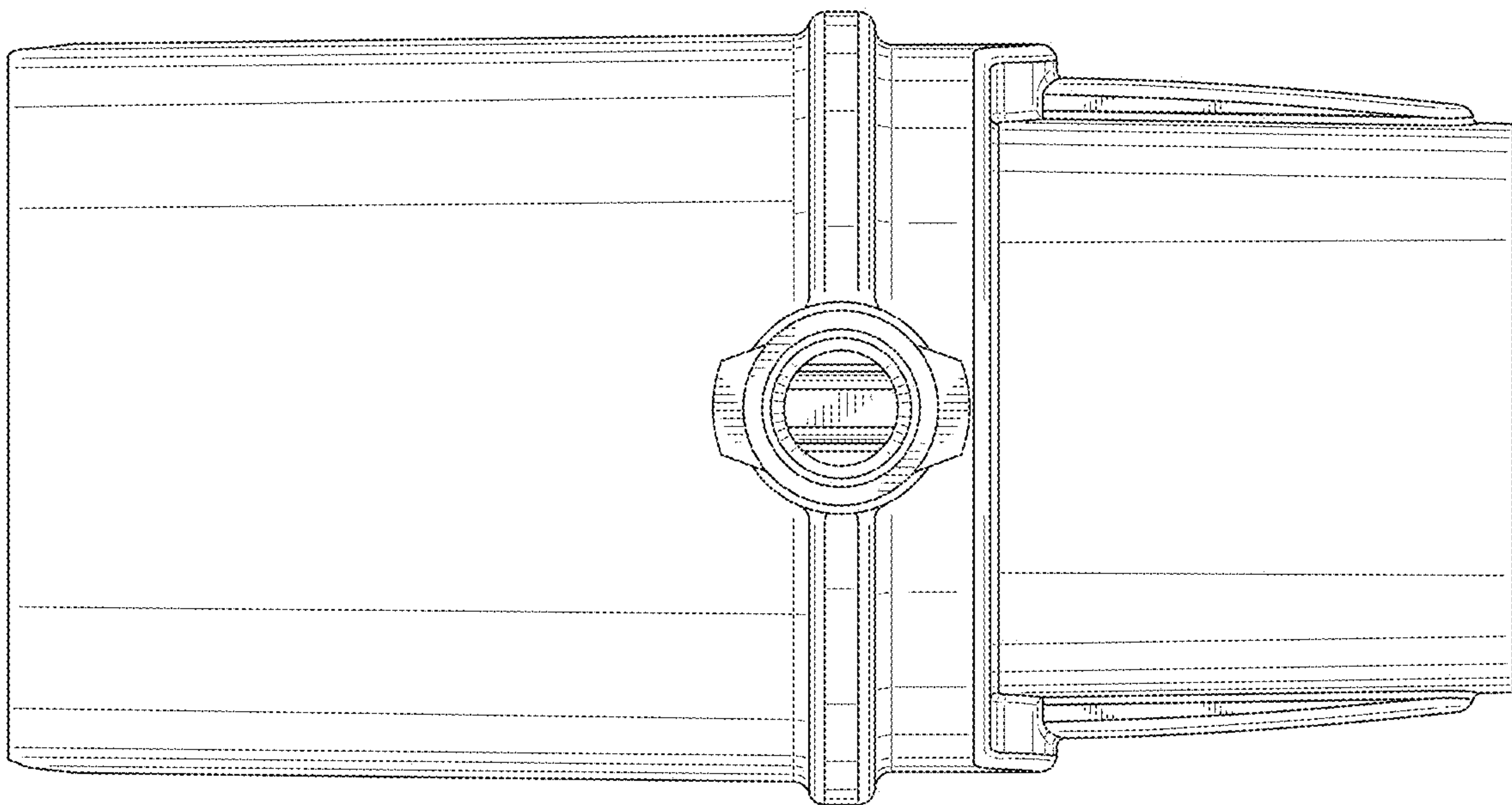


FIG. 17

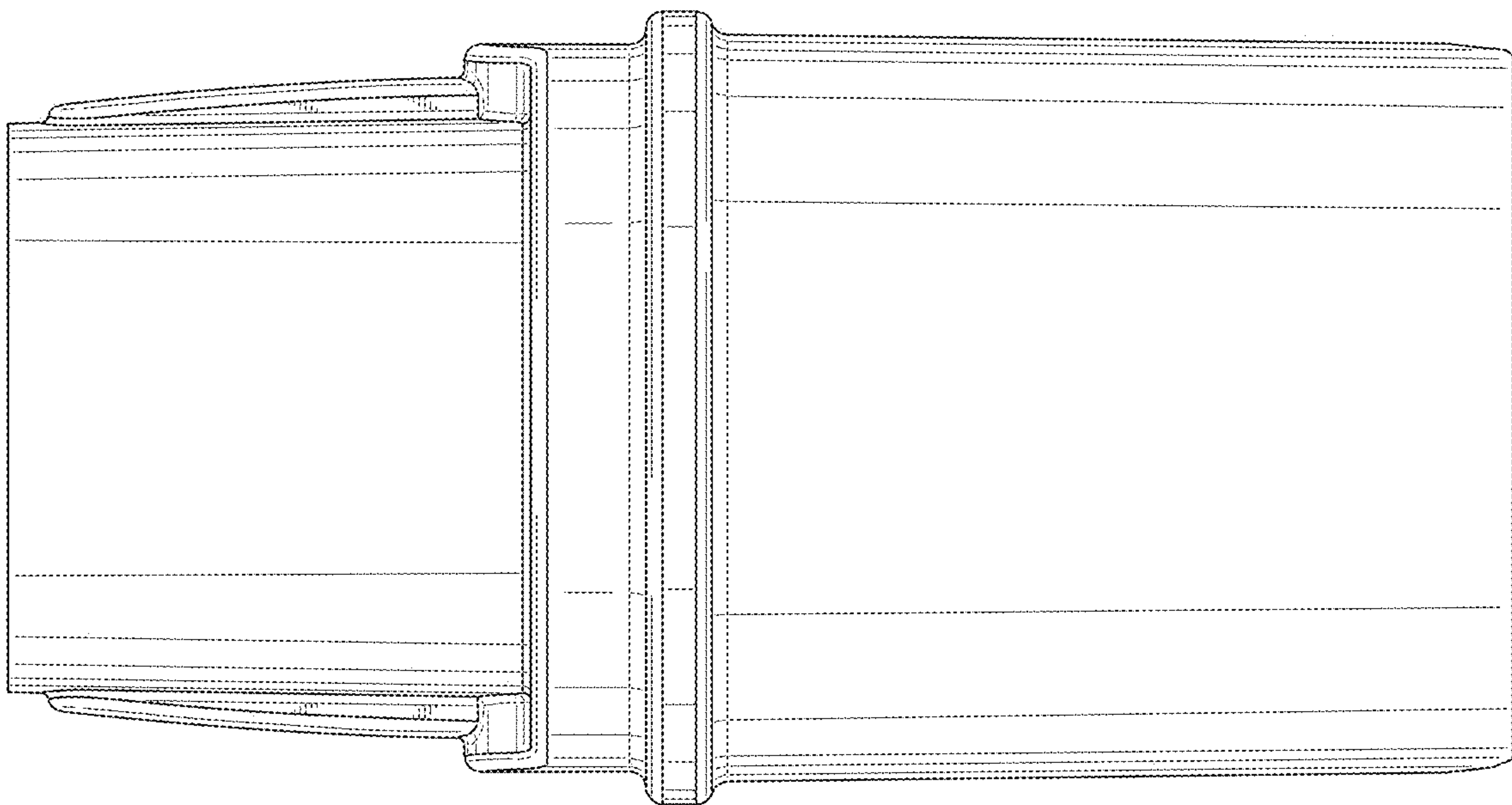


FIG. 18

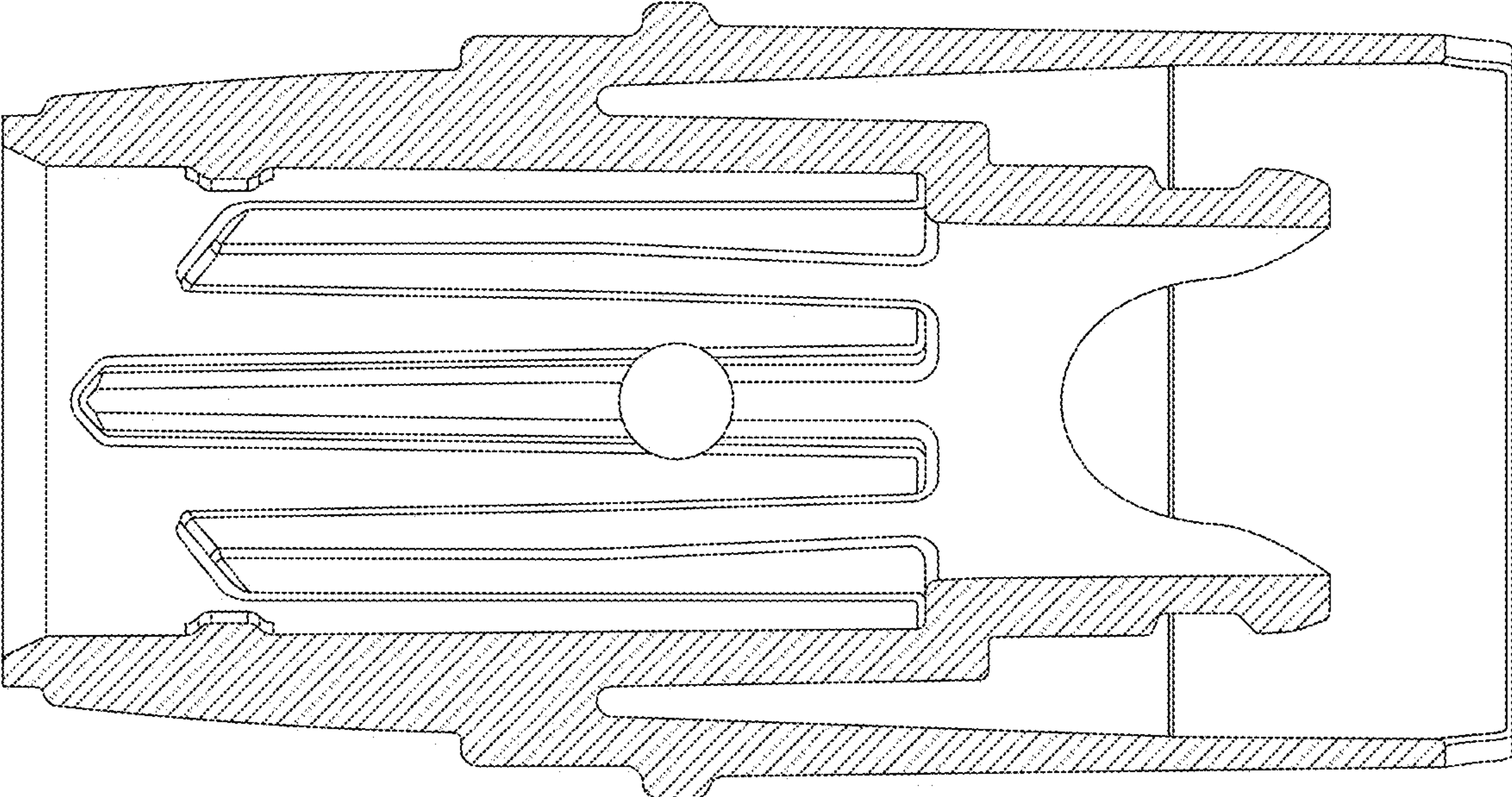


FIG. 19

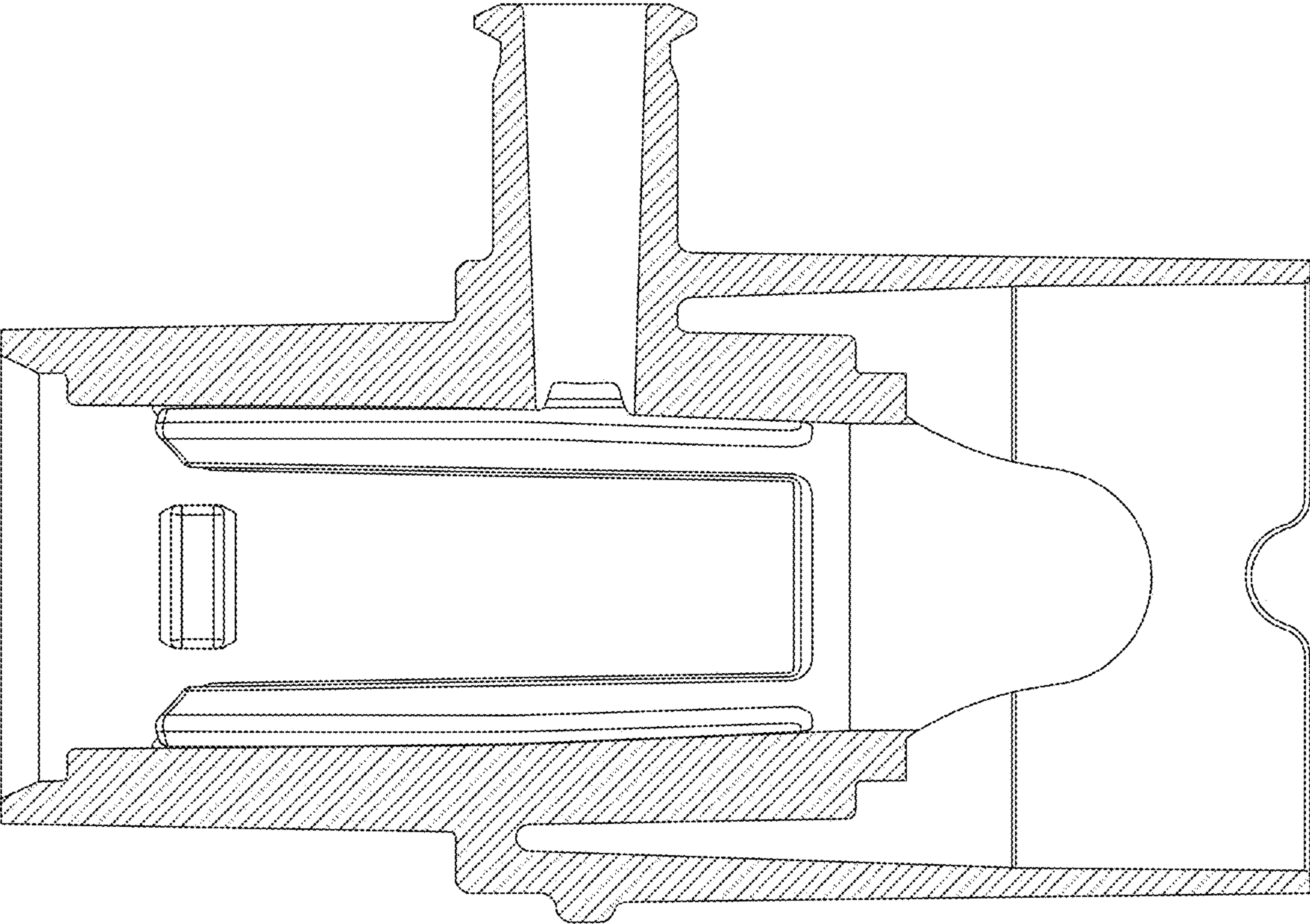


FIG. 20

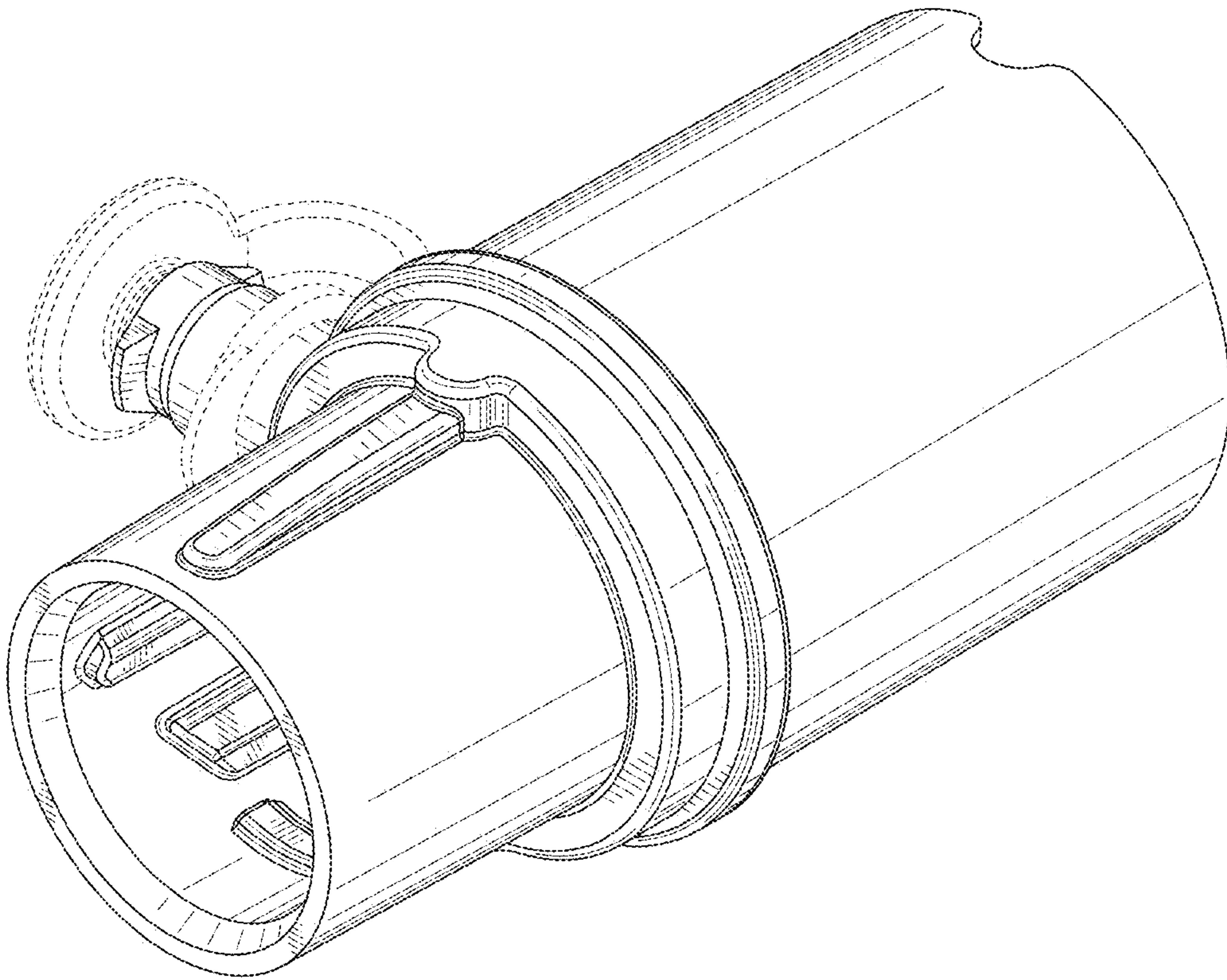


FIG. 21

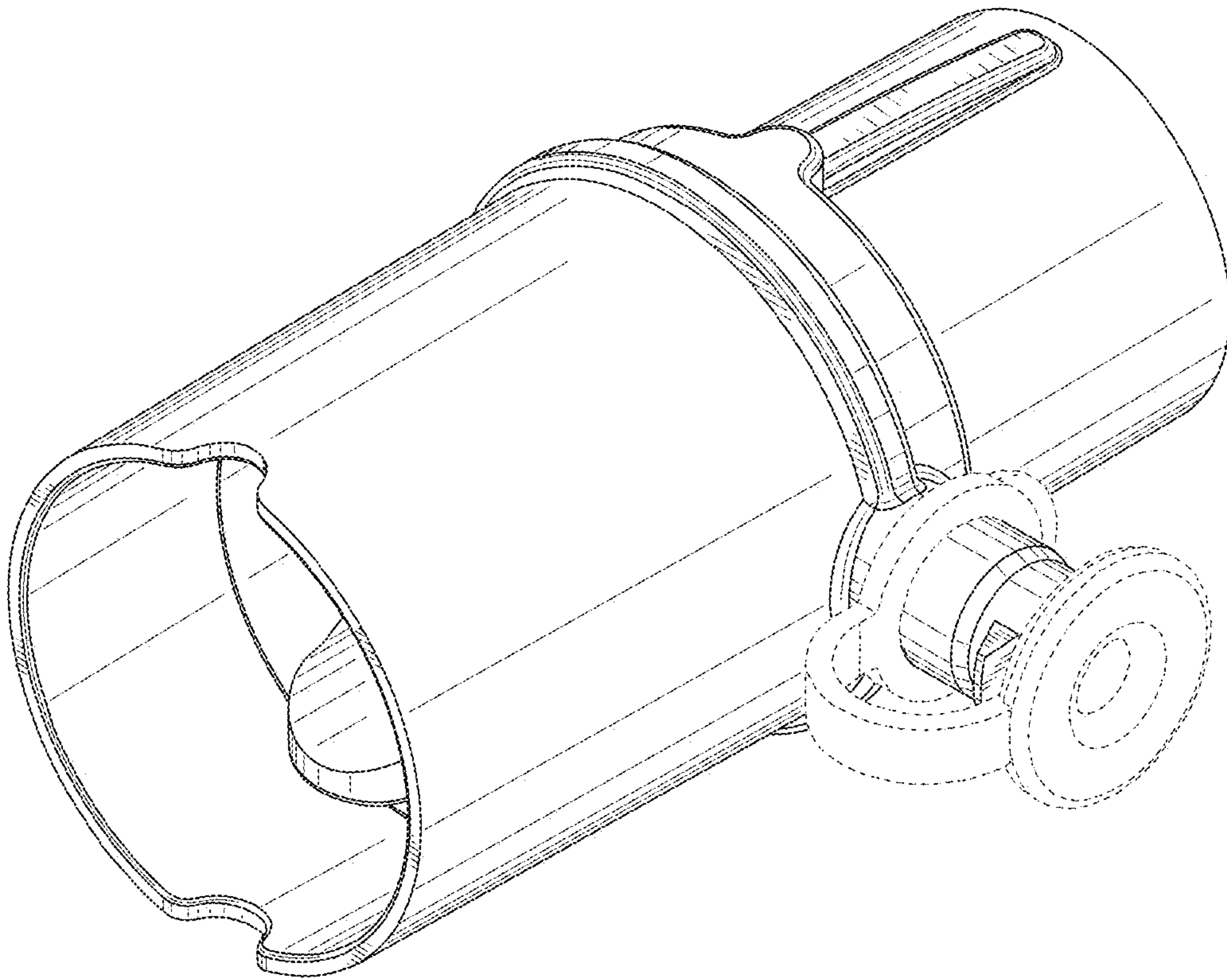


FIG. 22

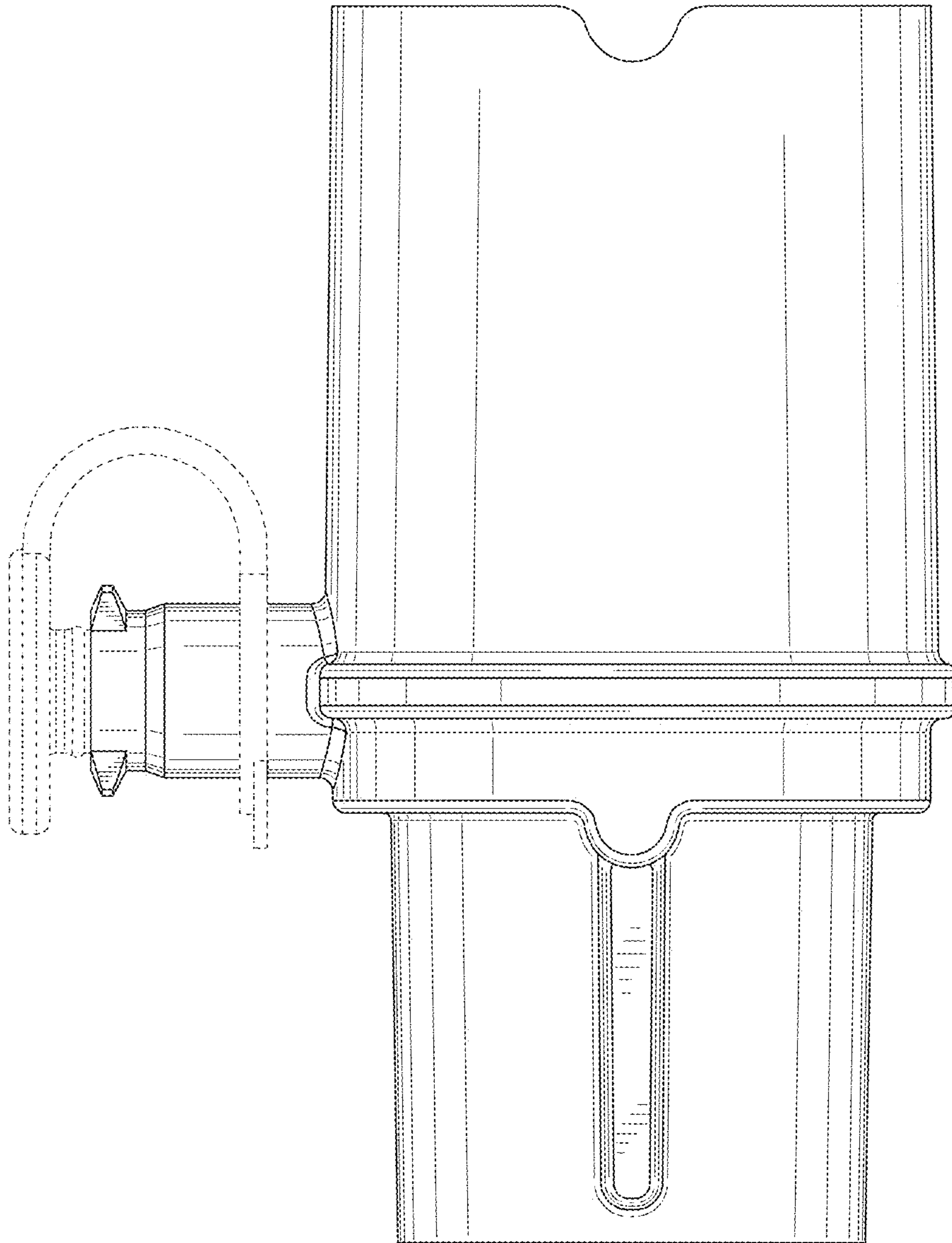


FIG. 23

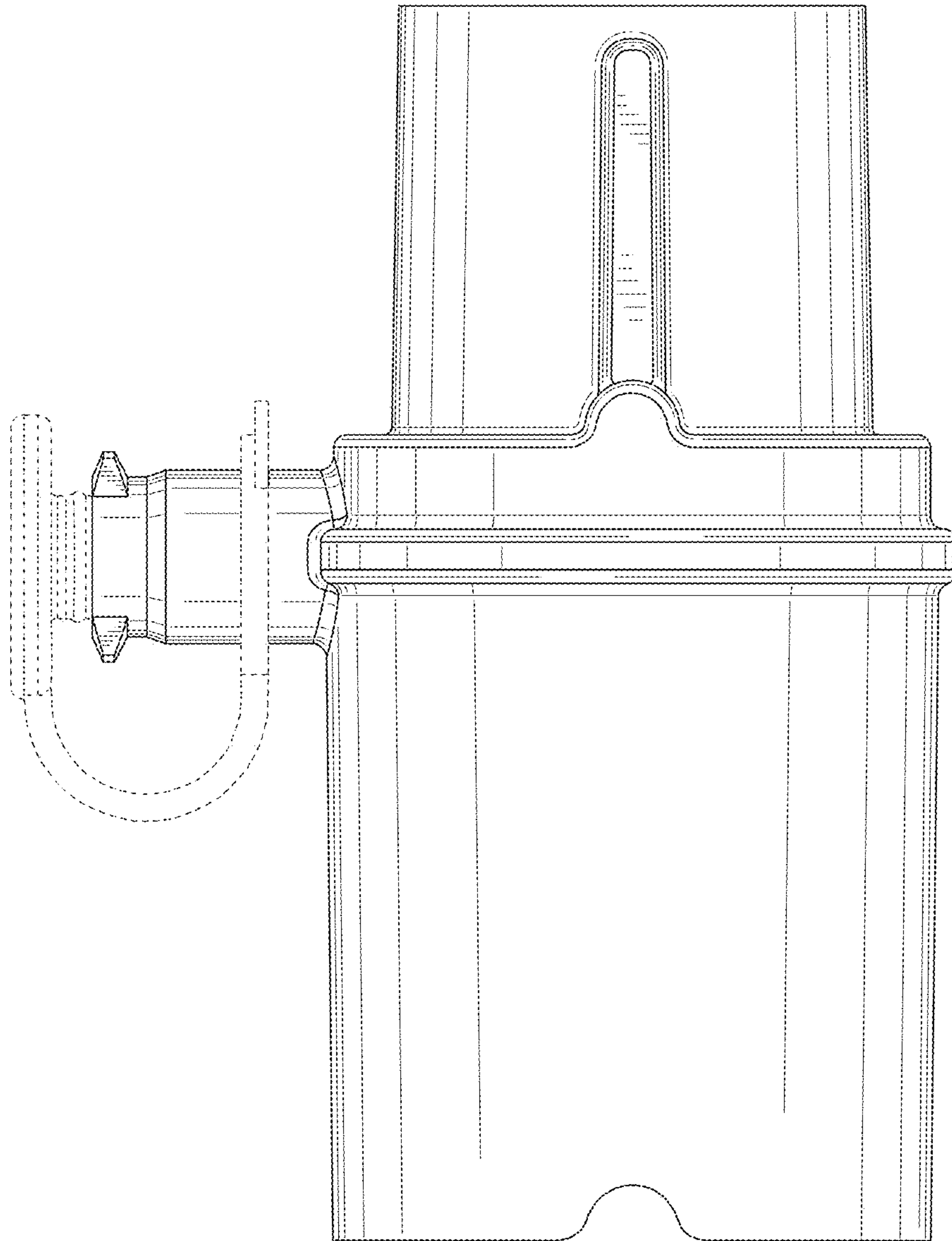


FIG. 24

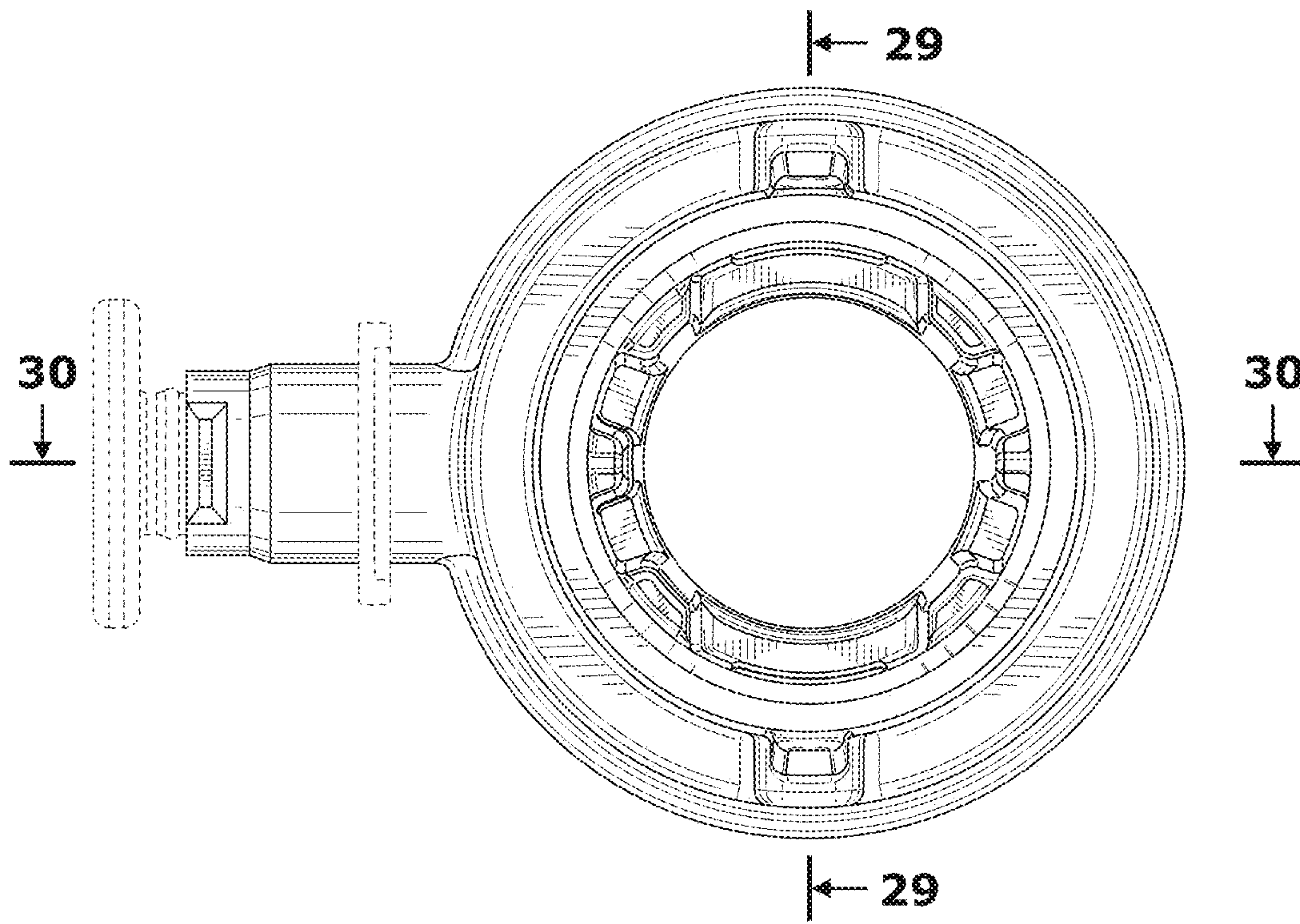


FIG. 25

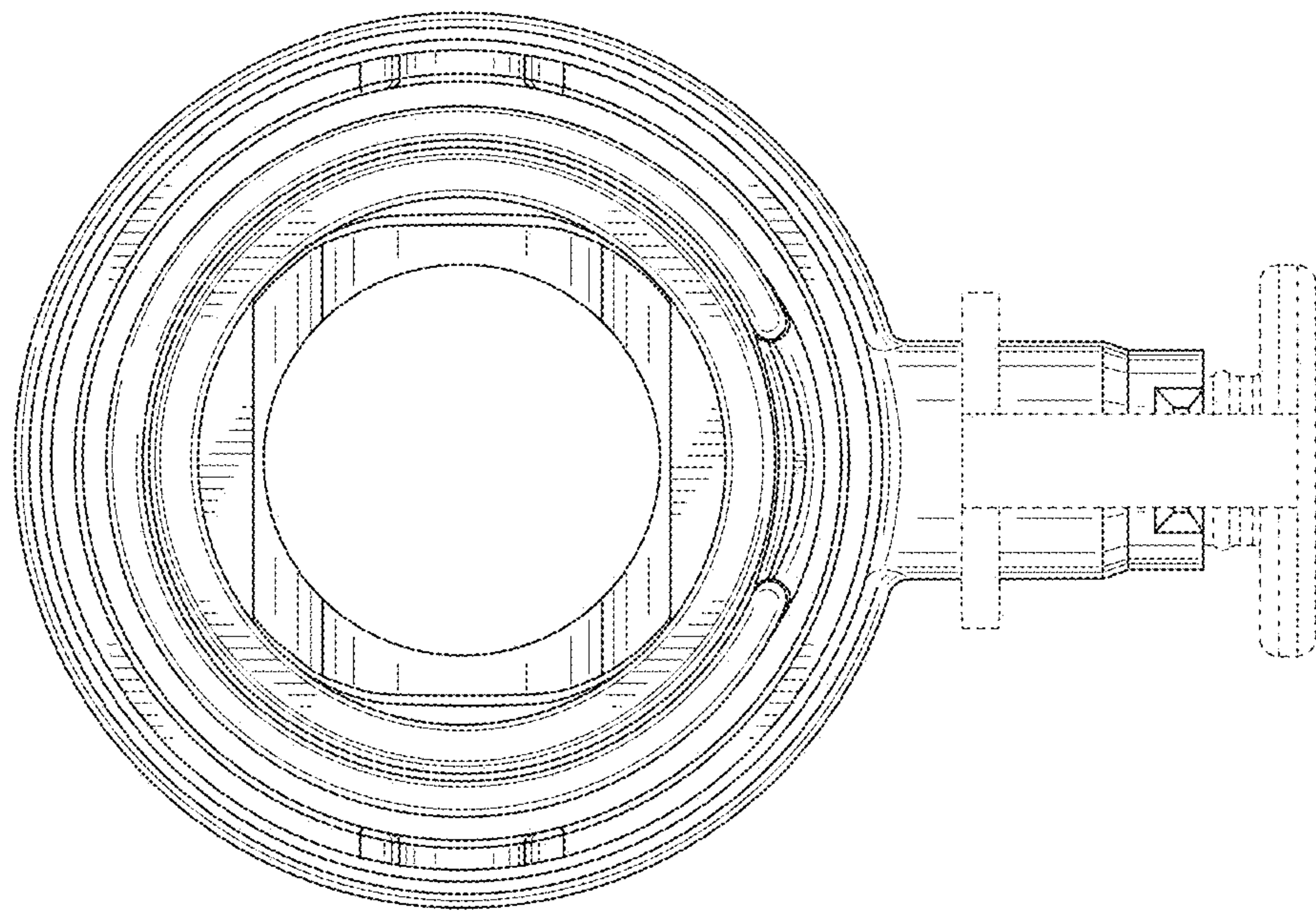


FIG. 26

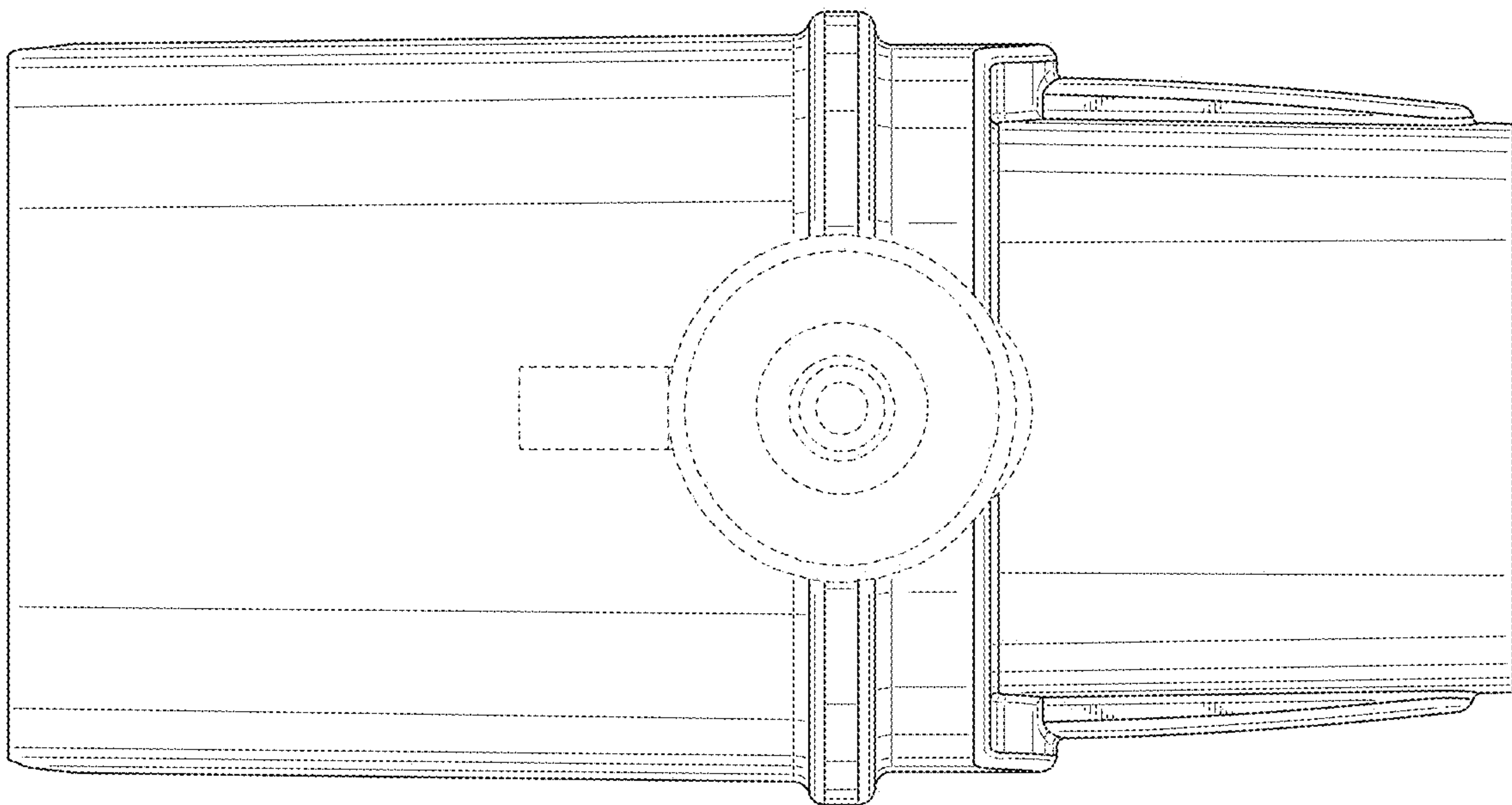


FIG. 27

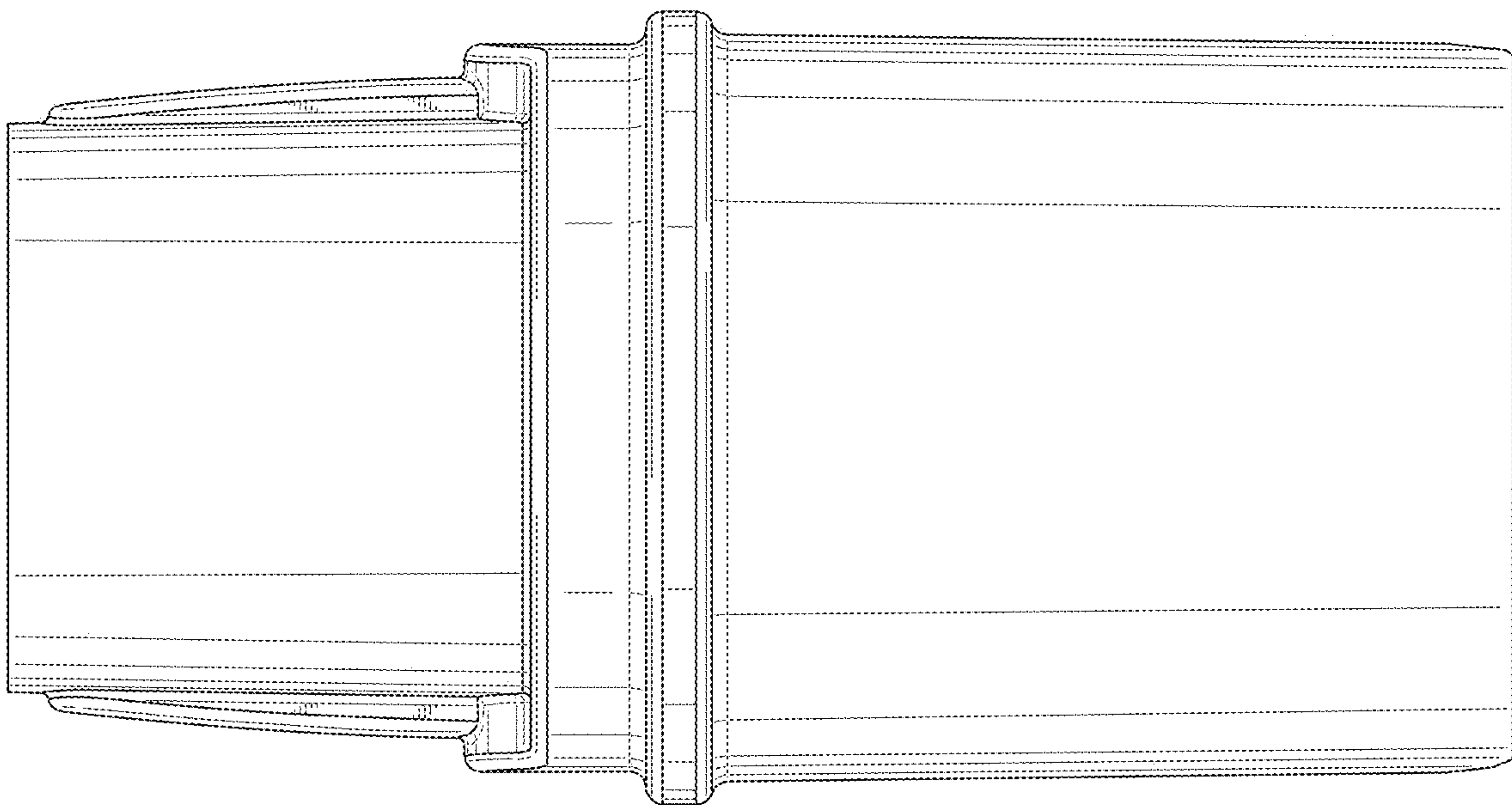


FIG. 28

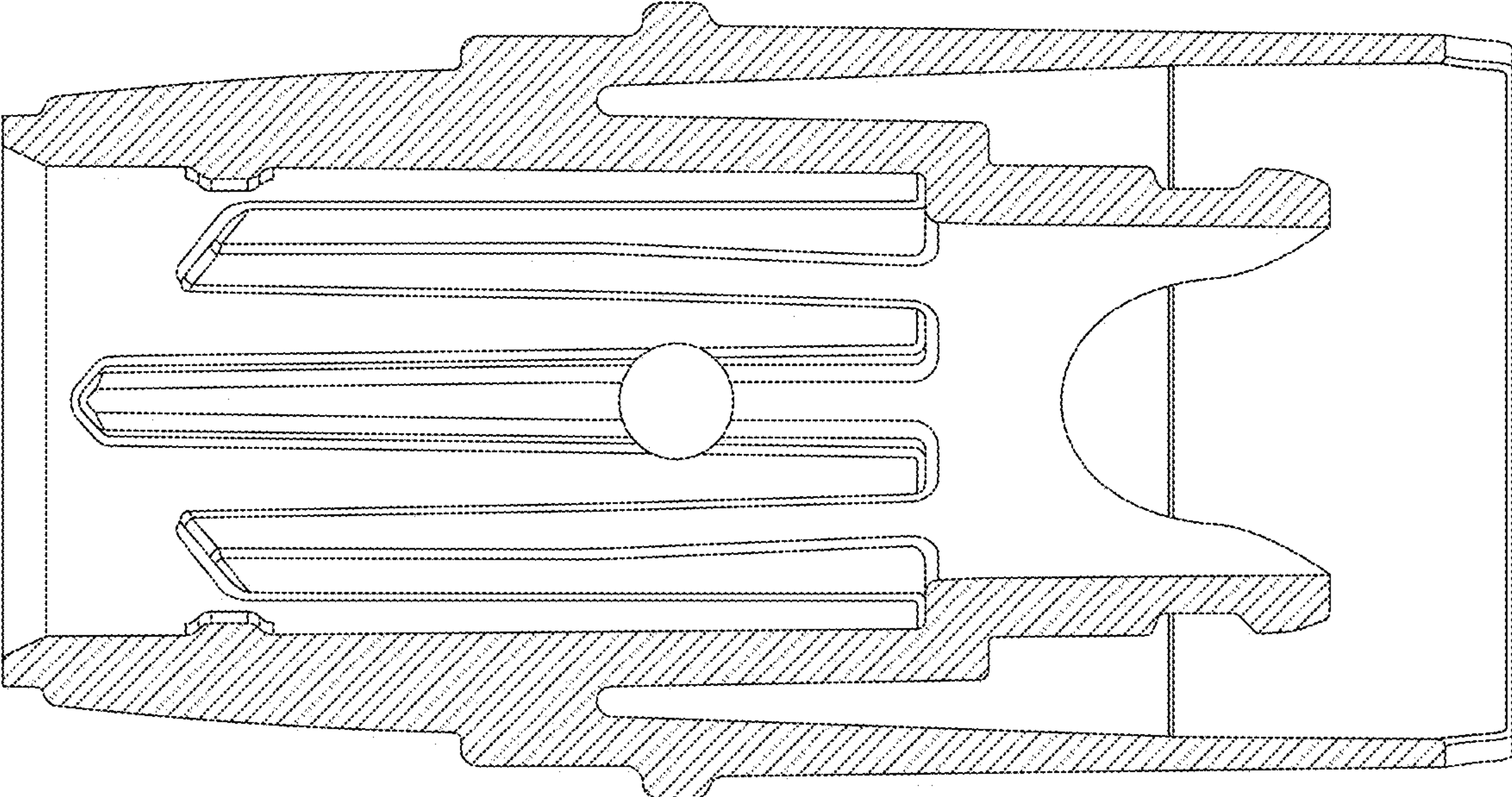


FIG. 29

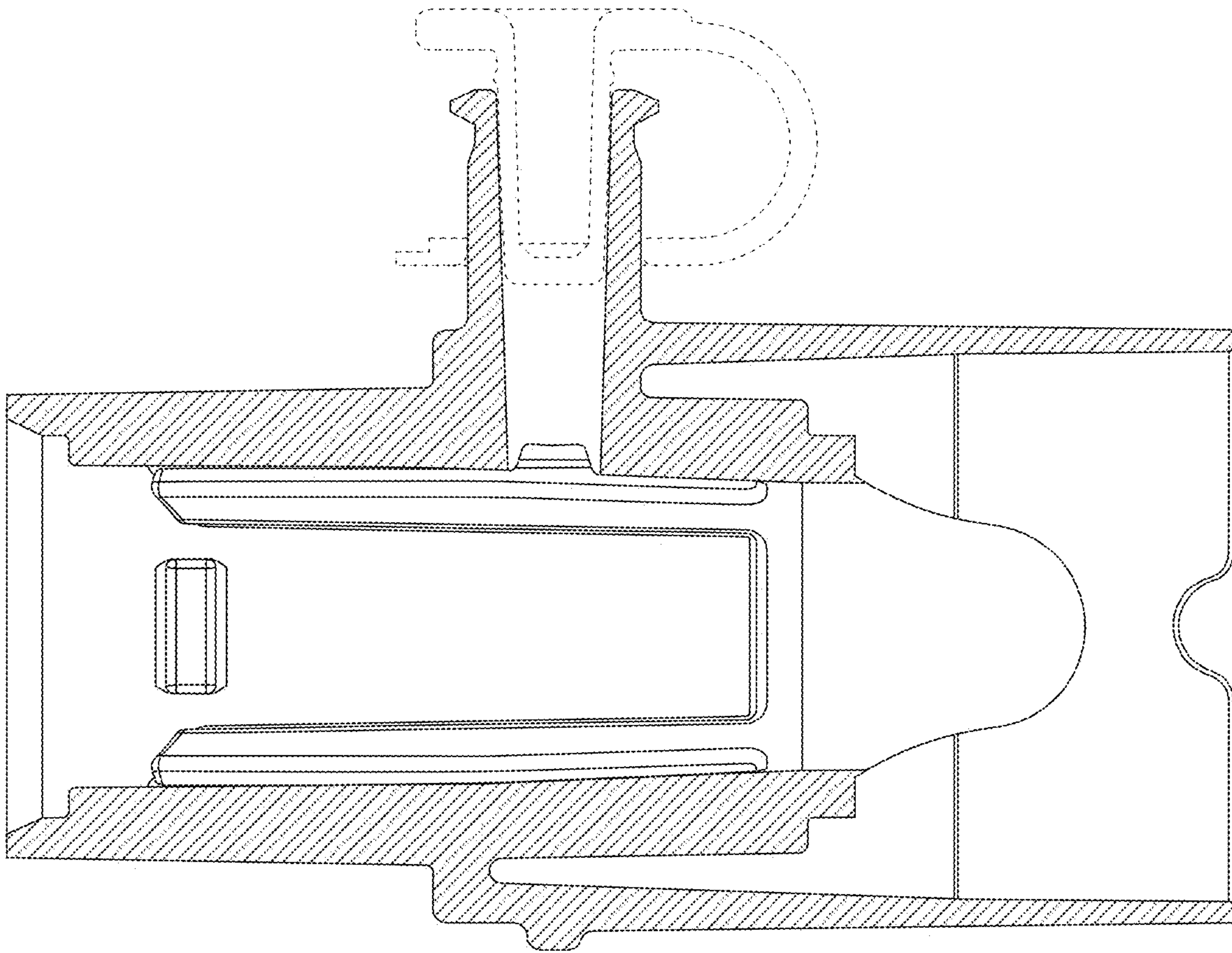


FIG. 30