



US00D974547S

(12) **United States Design Patent** (10) **Patent No.:** **US D974,547 S**  
**O'Malley et al.** (45) **Date of Patent:** **\*\* Jan. 3, 2023**

(54) **HANDHELD DRUG DELIVERY DEVICE**

(71) Applicant: **AMGEN INC.**, Thousand Oaks, CA (US)

(72) Inventors: **Clare O'Malley**, Thousand Oaks, CA (US); **Edgar Frausto**, Thousand Oaks, CA (US); **Jakob Halkjaer Pedersen**, Frederiksberg (DK); **Joshua Jay Dudman**, Copenhagen (DK); **Dylan Bourelle**, Woodland Hills, CA (US)

(73) Assignee: **AMGEN INC.**, Thousand Oaks, CA (US)

(\*\*) Term: **15 Years**

(21) Appl. No.: **29/757,416**

(22) Filed: **Nov. 5, 2020**

(51) **LOC (14) Cl.** ..... **24-02**

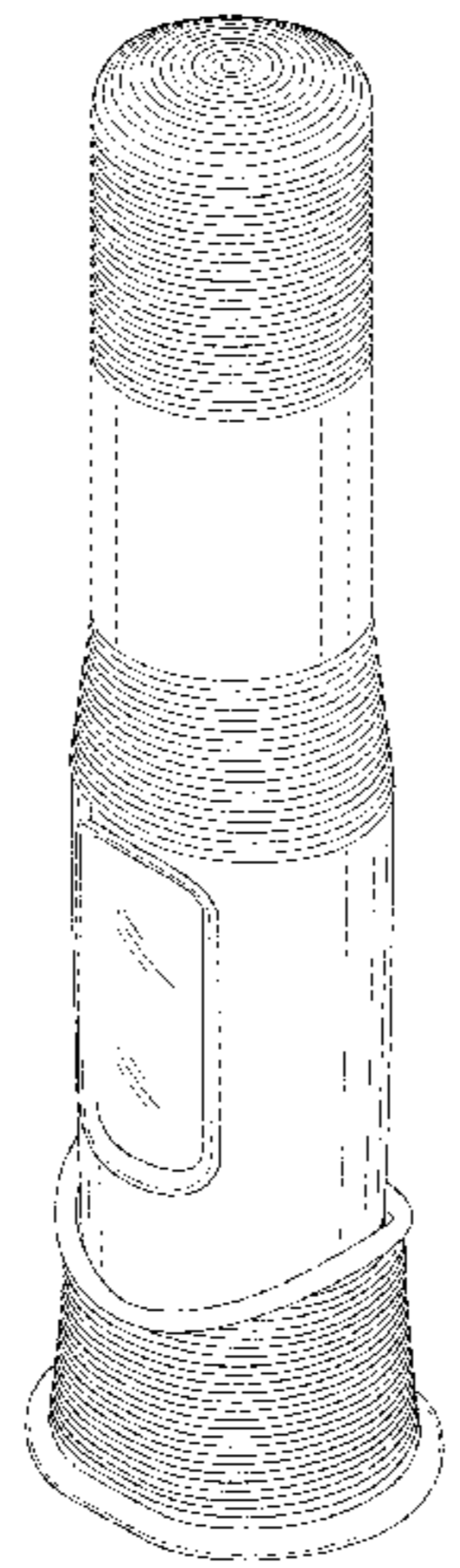
(52) **U.S. Cl.**  
 USPC ..... **D24/113**

(58) **Field of Classification Search**  
 USPC ..... D24/112, 113, 114, 133, 186, 127-131; D19/115-123, 177, 193  
 CPC ..... A61M 5/3156; A61M 5/31591; A61M 5/3155; A61M 5/3157; A61M 5/24; A61M 5/31501; A61M 5/31551; A61M 5/31585  
 See application file for complete search history.

D627,061 S 11/2010 Van Der Stappen  
 D628,690 S 12/2010 Galbraith  
 D629,509 S 12/2010 Julian et al.  
 D640,786 S 6/2011 Sato et al.  
 D660,958 S 5/2012 McLoughlin et al.  
 8,298,194 B2 10/2012 Moeller  
 D671,638 S 11/2012 Young et al.  
 D696,397 S 12/2013 Guarraia et al.  
 D696,772 S 12/2013 Schneider et al.  
 D696,773 S 12/2013 Schneider et al.  
 D696,774 S 12/2013 Guarraia et al.  
 D696,775 S 12/2013 Guarraia et al.  
 8,608,709 B2 12/2013 Moeller et al.  
 D697,205 S 1/2014 Schneider et al.  
 D708,317 S 7/2014 Schneider et al.  
 D714,932 S 10/2014 Hall et al.  
 D715,422 S 10/2014 Hall et al.  
 D717,428 S 11/2014 Sendatzki et al.  
 D721,802 S 1/2015 Ohashi  
 D722,158 S 2/2015 Magome et al.  
 D722,256 S 2/2015 Kita  
 8,945,065 B2 2/2015 Torris et al.  
 D726,902 S 4/2015 McLoughlin et al.  
 D728,782 S 5/2015 Dubuc et al.  
 D732,161 S 6/2015 Ohashi  
 D732,661 S 6/2015 Dubuc et al.  
 D735,848 S 8/2015 Dubuc et al.  
 D737,639 S 9/2015 Masalin et al.  
 D739,011 S 9/2015 Morrison et al.  
 D739,932 S 9/2015 Ratjen et al.  
 D755,956 S 5/2016 McLoughlin et al.  
 D757,255 S 5/2016 Wohlfahrt et al.  
 D758,566 S 6/2016 Chen  
 D758,567 S 6/2016 Wohlfahrt et al.  
 D758,568 S 6/2016 Wohlfahrt et al.  
 D758,569 S 6/2016 Wohlfahrt et al.  
 D758,570 S 6/2016 Wohlfahrt et al.  
 D758,571 S 6/2016 Geert-Jensen et al.  
 D759,813 S 6/2016 Newman et al.  
 D759,814 S 6/2016 Newman et al.  
 D765,239 S 8/2016 Hauck et al.  
 D765,240 S 8/2016 Hauck et al.  
 D766,425 S 9/2016 Hauck et al.  
 D767,119 S 9/2016 Hauck et al.  
 D770,610 S 11/2016 Saussaye et al.  
 D773,648 S 12/2016 Wohlfahrt et al.  
 D773,650 S 12/2016 Fourt et al.  
 D774,639 S 12/2016 Saussaye et al.  
 D774,641 S 12/2016 Miggels et al.  
 D775,279 S 12/2016 Shen  
 D780,909 S 3/2017 Burkett et al.  
 D783,816 S 4/2017 Wohlfahrt et al.  
 9,623,199 B2 4/2017 Richter et al.

(56) **References Cited**  
 U.S. PATENT DOCUMENTS

758,567 A	4/1904	Siebelist
3,316,909 A	5/1967	Cowley
D321,472 S	11/1991	Evans et al.
D443,641 S	6/2001	Mader
D497,806 S	11/2004	Nichols et al.
D509,296 S	9/2005	Minshull et al.
D545,895 S	7/2007	Okutani
D612,486 S	3/2010	Van Der Stappen
D619,244 S	7/2010	Van Der Stappen
D622,374 S	8/2010	Julian et al.
D626,994 S	11/2010	Gerules



D788,909 S 6/2017 Ratjen  
 D789,519 S 6/2017 Ratjen et al.  
 D790,686 S 6/2017 Cox et al.  
 D793,547 S 8/2017 Burkett et al.  
 D794,178 S 8/2017 Daniel et al.  
 D794,777 S 8/2017 Daniel et al.  
 D794,778 S 8/2017 Daniel et al.  
 D799,026 S 10/2017 Jones et al.  
 D802,748 S 11/2017 Mills et al.  
 D809,137 S 1/2018 Ratjen  
 D810,280 S 2/2018 Tharp et al.  
 D810,282 S 2/2018 Ratjen  
 D812,746 S 3/2018 Umemura  
 D813,379 S 3/2018 Mills et al.  
 D814,022 S \* 3/2018 Boyaval ..... D24/113  
 D815,732 S 4/2018 Mills et al.  
 D816,212 S 4/2018 Daniel et al.  
 D819,198 S 5/2018 Boyaval et al.  
 D819,200 S 5/2018 Stonecipher et al.  
 D819,804 S 6/2018 Knight et al.  
 9,987,436 B2 6/2018 Giambattista et al.  
 D822,198 S 7/2018 Stonecipher et al.  
 D822,199 S 7/2018 Clawson et al.  
 D823,459 S 7/2018 Bendek et al.  
 D827,127 S 8/2018 Donnelly  
 D827,128 S 8/2018 Boyaval et al.  
 D830,539 S 10/2018 Boyaval et al.  
 10,159,795 B2 12/2018 Cave  
 10,265,476 B2 4/2019 Laiosa et al.  
 D851,754 S 6/2019 Boyaval et al.  
 D857,192 S 8/2019 Burkett et al.  
 D861,859 S 10/2019 Rapp et al.  
 D864,378 S 10/2019 Tafazoli et al.  
 D866,751 S 11/2019 Rogge et al.  
 D866,752 S 11/2019 Rogge et al.  
 D866,757 S \* 11/2019 Diluzio ..... D24/133  
 D868,245 S 11/2019 Holmqvist et al.  
 D868,961 S 12/2019 Stewart et al.  
 D870,270 S 12/2019 Burkett et al.  
 10,512,725 B1 12/2019 Bauss et al.  
 D878,560 S 3/2020 Boyaval et al.  
 D878,564 S 3/2020 Clawson et al.  
 D878,566 S 3/2020 Jansen  
 D882,071 S 4/2020 Stonecipher et al.  
 D883,475 S 5/2020 Boyaval et al.  
 D884,161 S \* 5/2020 Stewart ..... D24/112  
 D886,281 S 6/2020 Boyaval et al.  
 D886,282 S 6/2020 Stonecipher et al.  
 D892,311 S 8/2020 Nicholas et al.  
 D892,312 S 8/2020 Nicholas et al.  
 10,780,256 B2 9/2020 Cordoba et al.  
 D898,189 S 10/2020 Boyaval et al.  
 D898,900 S 10/2020 Atterbury et al.  
 D922,567 S 6/2021 Boyaval et al.  
 D956,212 S \* 6/2022 Petersen ..... D24/113  
 D958,329 S \* 7/2022 Bouelle ..... D24/113  
 D962,423 S \* 8/2022 Melander ..... D24/113  
 2004/0068283 A1 4/2004 Fukuzawa et al.  
 2006/0100655 A1 5/2006 Leong et al.  
 2008/0269682 A1 10/2008 Kavazov et al.  
 2008/0269692 A1 10/2008 James et al.  
 2012/0123350 A1 5/2012 Giambattista et al.  
 2013/0060231 A1 3/2013 Adlon et al.  
 2013/0211330 A1 8/2013 Pedersen et al.  
 2014/0207073 A1 7/2014 Shang et al.  
 2014/0221916 A1 8/2014 Kramer et al.  
 2014/0221936 A1 8/2014 Edhouse et al.  
 2014/0228769 A1 8/2014 Karlsson et al.  
 2014/0330216 A1 11/2014 Weaver et al.  
 2014/0336588 A1 11/2014 McLoughlin et al.  
 2014/0343507 A1 11/2014 Karlsson et al.  
 2014/0364812 A1 12/2014 Lumme et al.  
 2014/0371684 A1 12/2014 Holmqvist  
 2015/0190577 A1 7/2015 Shaanan et al.  
 2015/0335829 A1 11/2015 Giambattista et al.  
 2016/0106929 A1 4/2016 Fournier et al.  
 2016/0151586 A1 6/2016 Kemp  
 2016/0193413 A1 7/2016 Gabrielsson  
 2016/0263325 A1 9/2016 Huthmacher et al.

2016/0303327 A1 10/2016 Moren  
 2017/0128668 A1 5/2017 Miller et al.  
 2017/0182242 A1 6/2017 Galitz et al.  
 2018/0043101 A1 2/2018 Weaver et al.  
 2018/0104413 A1 4/2018 McLoughlin et al.  
 2019/0266921 A1 8/2019 Chang  
 2019/0298924 A1 10/2019 Gibson et al.  
 2020/0179612 A1 6/2020 Wei  
 2020/0258425 A1 8/2020 Foley et al.  
 2021/0093789 A1 4/2021 Plambech et al.  
 2021/0093796 A1 \* 4/2021 Finkelstein ..... A61M 5/3157  
 2021/0093797 A1 4/2021 Finkelstein et al.  
 2021/0121633 A1 \* 4/2021 Finkelstein ..... A61M 5/2422

FOREIGN PATENT DOCUMENTS

CN 302858428 S 6/2014  
 CN 304223460 S 7/2017  
 EM 008038723-0005 \* 7/2020  
 GB 9008041362-0012 \* 7/2020  
 GB 6133358 \* 4/2021  
 JP D1607619 \* 6/2018  
 RU 100256 U1 12/2010  
 RU 100299 U1 12/2010  
 TW D179360 11/2016  
 TW D179362 11/2016

OTHER PUBLICATIONS

Aimovig, Amgen, [Post date unknown], [Site seen Sep. 6, 022], Seen at URL: <https://www.amgeninjectiondemos.com/Aimovig> (Year: 2022).\*

Parental Drug Association, "Trends in the Self-injection Device Market & next Generation Platform Technologies," [post date 2018], [Site seen Sep. 6, 2022], Seen at URL: <https://pda-asiapacific.glueup.com/resources/protected/organization/1176/event/26285/93bd1ce6-33aa-48c1-b0b7-9833dd5155bc.pdf> (Year: 2022).\*

McGowan, 30 Years in the Making—An Inside Perspective on the Emergency of Autoinjectors, ONdrugDelivery Magazine, Issue 101, pp. 20-23 (Oct. 2019).

Industrial Design DM/092744, Millennium Pharmaceuticals, Inc., Registration date Sep. 6, 2016.

Internet publication <https://www.youtube.com/watch?v=VbGb5lt9n80>, dated Sep. 30, 2014.

Office Action and Search Report for Taiwan application No. 1066305338, dated Mar. 26, 2018.

Office Action, Israel Design Office, Application No. 60912, dated Mar. 4, 2018.

\* cited by examiner

Primary Examiner — Natasha Vujcic  
 Assistant Examiner — Gilbert B Ford  
 (74) Attorney, Agent, or Firm — Marshall, Gerstein & Borun LLP

(57) CLAIM

We claim, the ornamental design for a handheld drug delivery device, as shown and described.

DESCRIPTION

This patent or application file contains a least one drawing executed partly in color. Copies of this patent or patent application publication with drawing(s) partly in color will be provided by the Office upon request and payment of any necessary fee.

FIG. 1 is a perspective view showing a first new design for a handheld drug delivery device;  
 FIG. 2 is a front view of the handheld drug delivery device of FIG. 1;

FIG. 3 is a rear view of the handheld drug delivery device of FIG. 1;

FIG. 4 is a right-side view of the handheld drug delivery device of FIG. 1;

FIG. 5 is a left-side view of the handheld drug delivery device of FIG. 1;

FIG. 6 is a top view of the handheld drug delivery device of FIG. 1;

FIG. 7 is a bottom view of the handheld drug delivery device of FIG. 1;

FIG. 8 is a perspective view of the handheld drug delivery device of FIG. 1 with its cap removed;

FIG. 9 is a perspective view showing a second new design for a handheld drug delivery device;

FIG. 10 is a front view of the handheld drug delivery device of FIG. 9;

FIG. 11 is a rear view of the handheld drug delivery device of FIG. 9;

FIG. 12 is a right-side view of the handheld drug delivery device of FIG. 9;

FIG. 13 is a left-side view of the handheld drug delivery device of FIG. 9;

FIG. 14 is a top view of the handheld drug delivery device of FIG. 9;

FIG. 15 is a bottom view of the handheld drug delivery device of FIG. 9;

FIG. 16 is a perspective view of the handheld drug delivery device of FIG. 9 with its cap removed;

FIG. 17 is a perspective view showing a third new design for a handheld drug delivery device;

FIG. 18 is a front view of the handheld drug delivery device of FIG. 17;

FIG. 19 is a rear view of the handheld drug delivery device of FIG. 17;

FIG. 20 is a right-side view of the handheld drug delivery device of FIG. 17;

FIG. 21 is a left-side view of the handheld drug delivery device of FIG. 17;

FIG. 22 is a top view of the handheld drug delivery device of FIG. 17;

FIG. 23 is a bottom view of the handheld drug delivery device of FIG. 17; and,

FIG. 24 is a perspective view of the handheld drug delivery device of FIG. 17 with its cap removed.

The broken lines show portions of the handheld drug delivery device that form no part of the claimed design.

**1 Claim, 15 Drawing Sheets  
(5 of 15 Drawing Sheet(s) Filed in Color)**

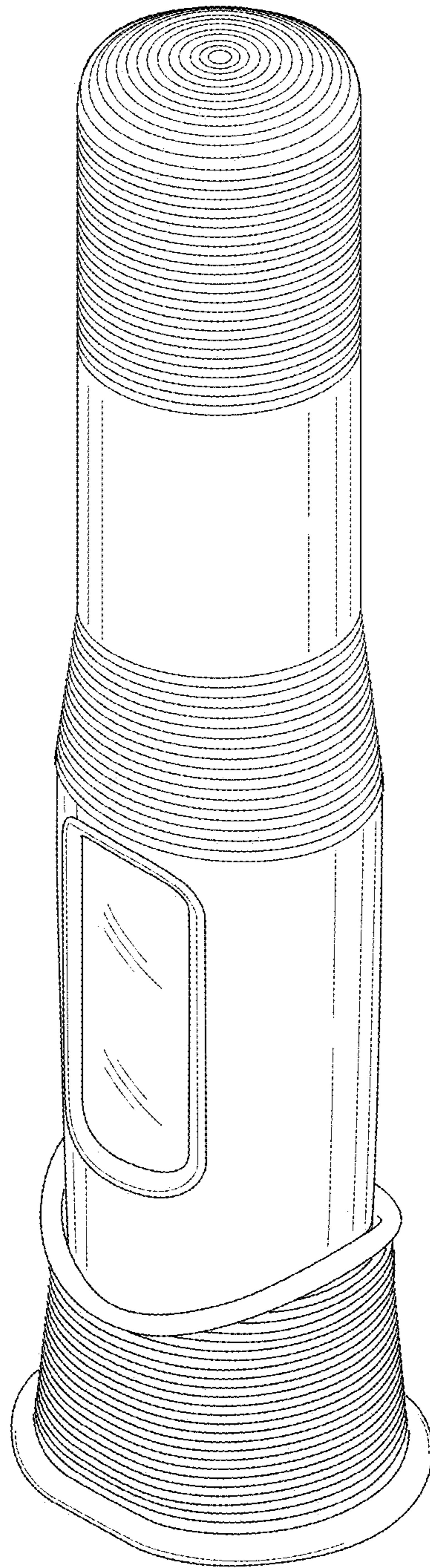


FIG. 1

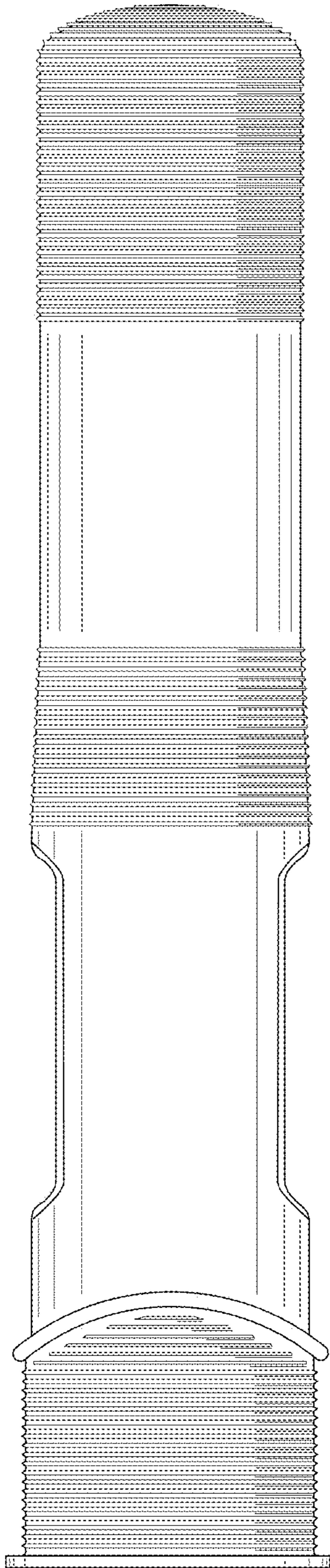


FIG. 2

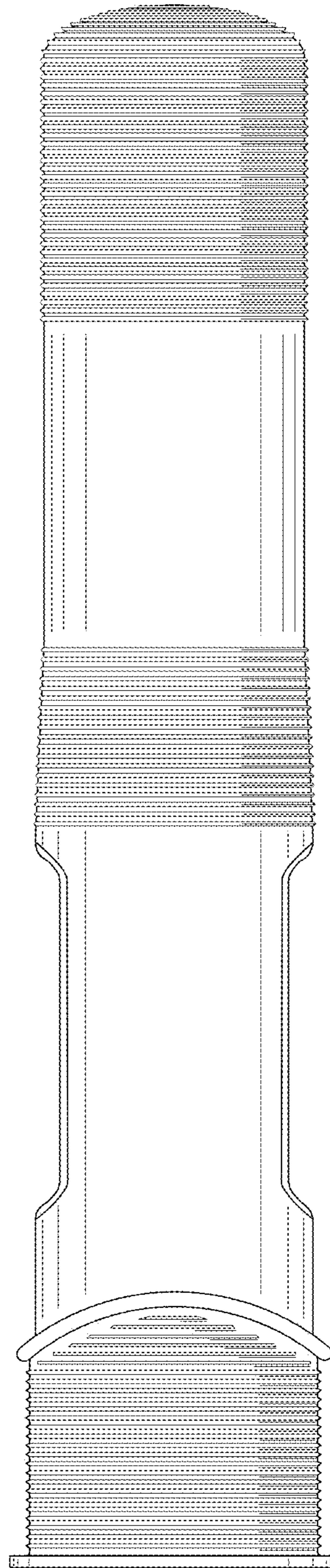


FIG. 3

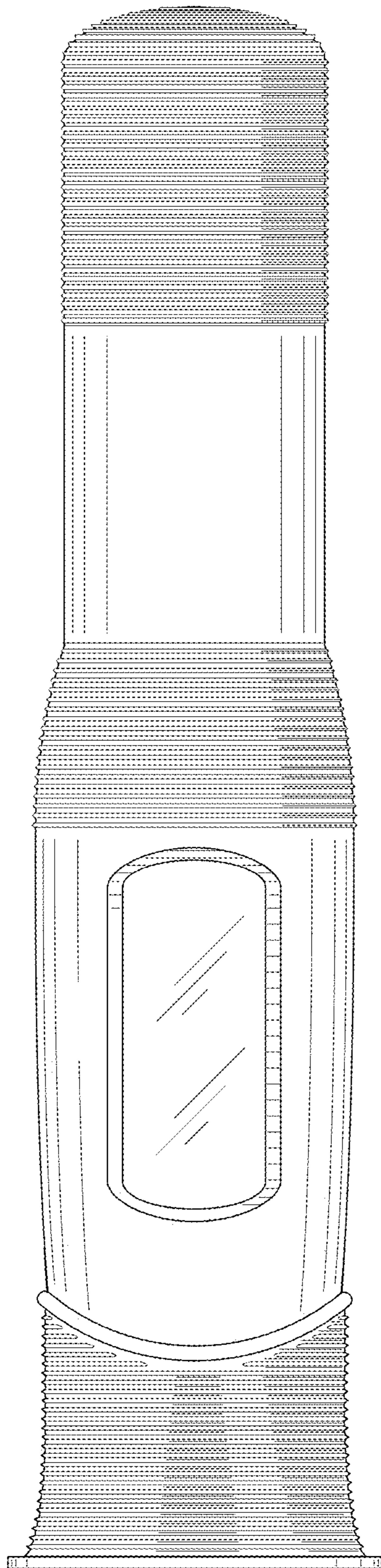


FIG. 4

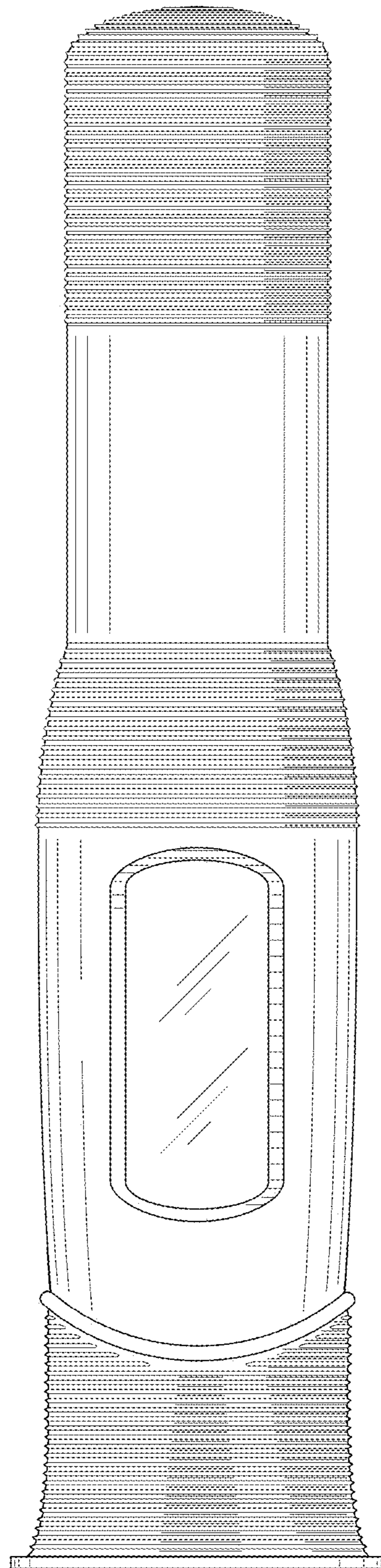
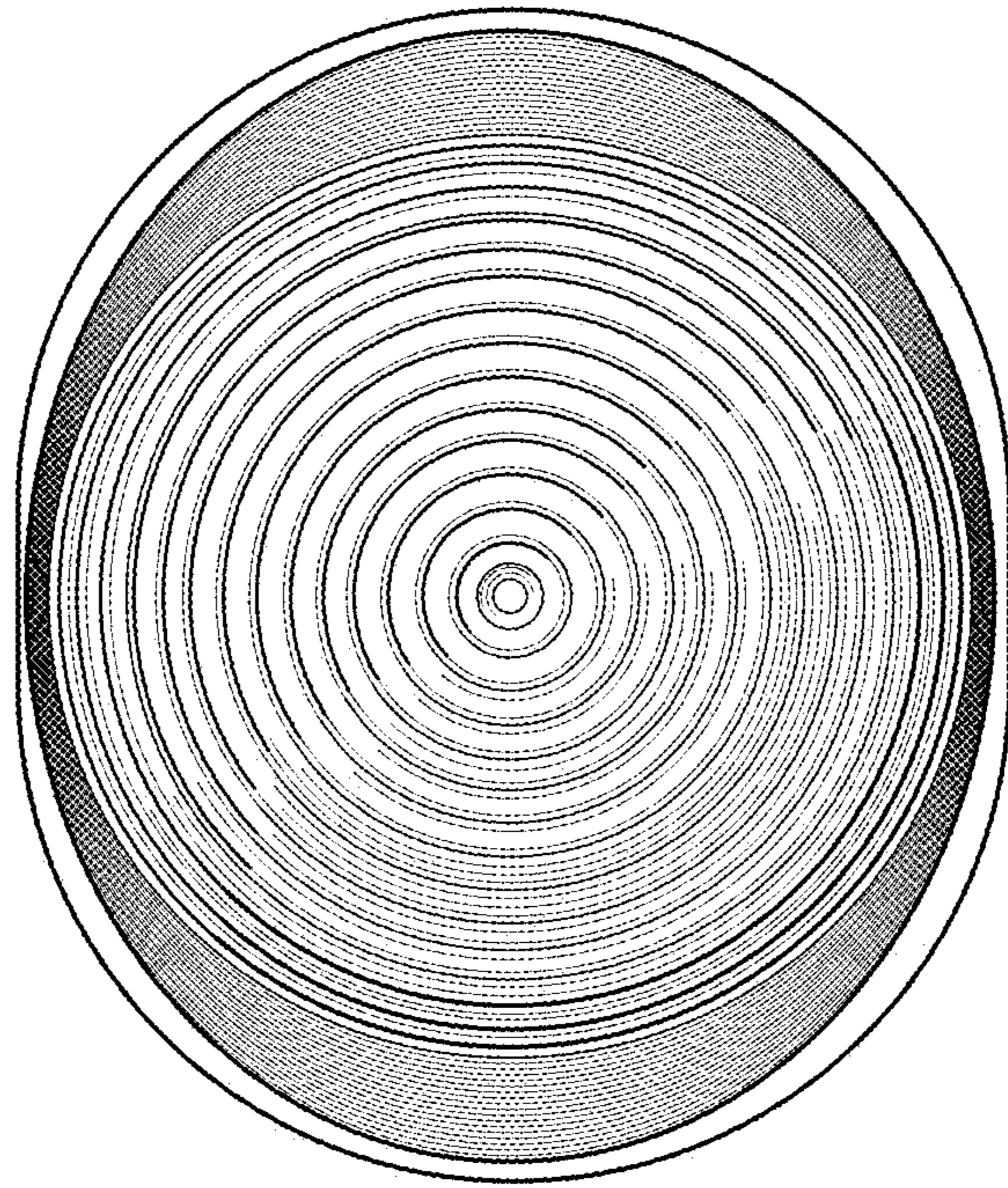
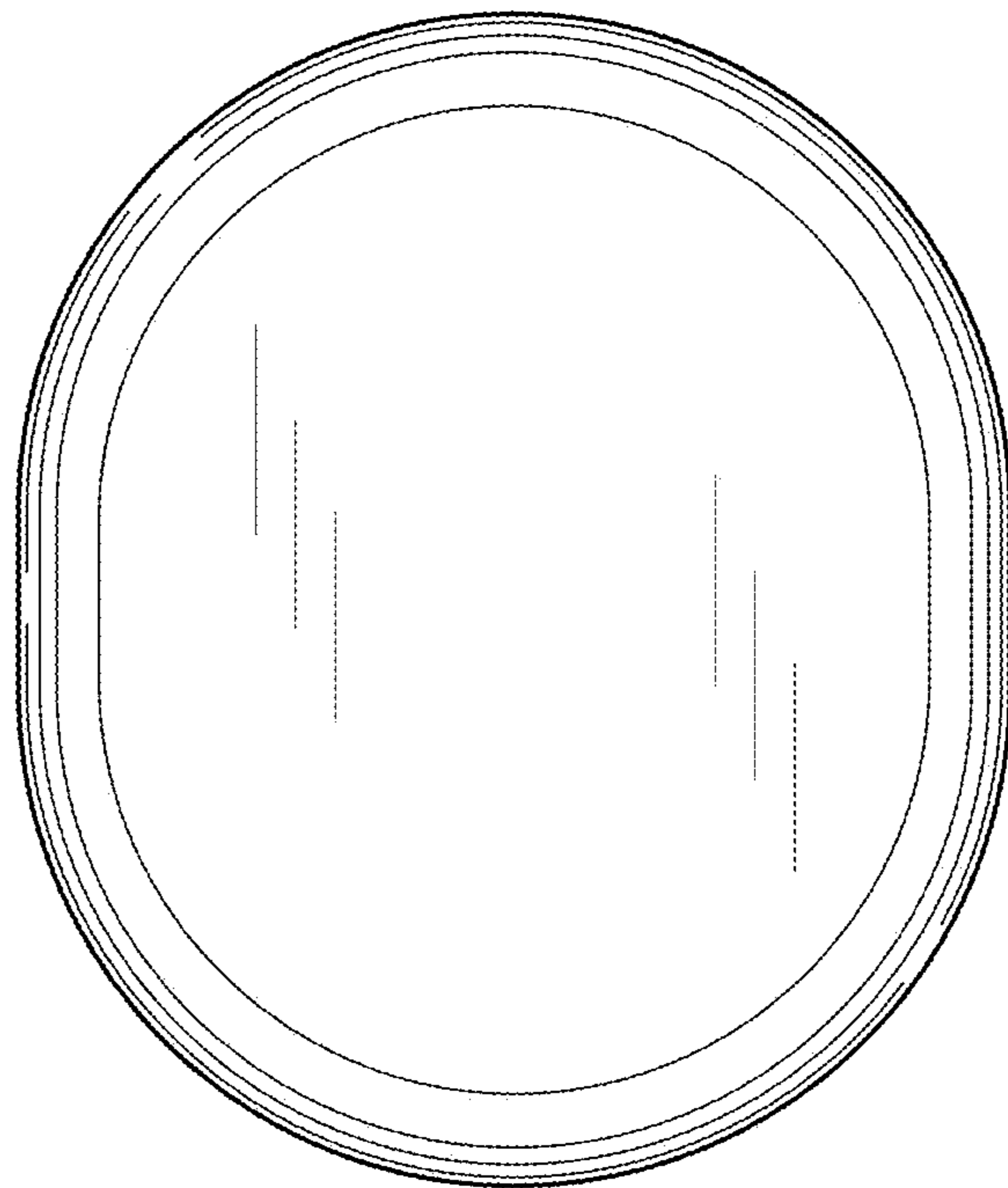


FIG. 5



**FIG. 6**



**FIG. 7**

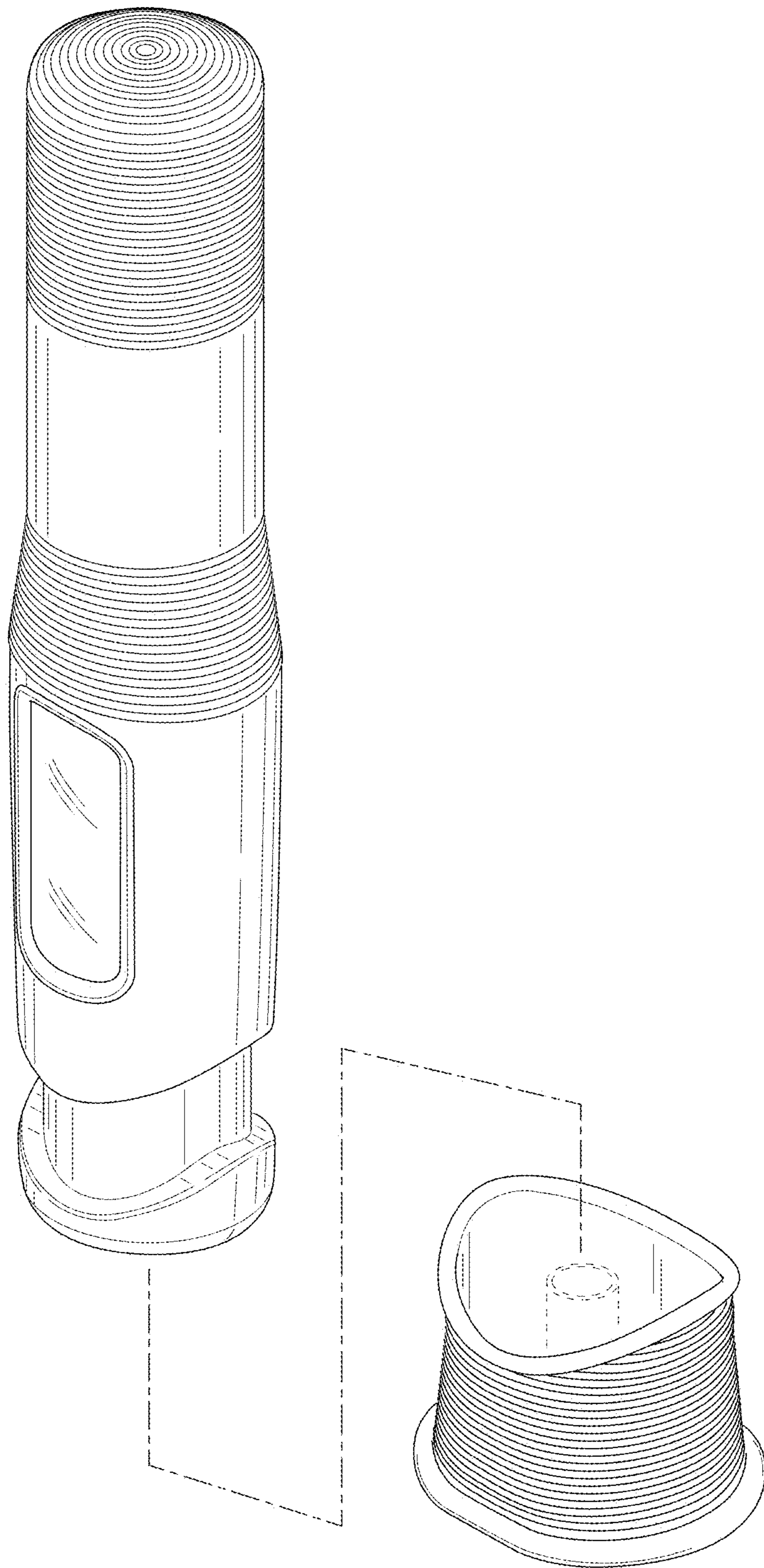


FIG. 8



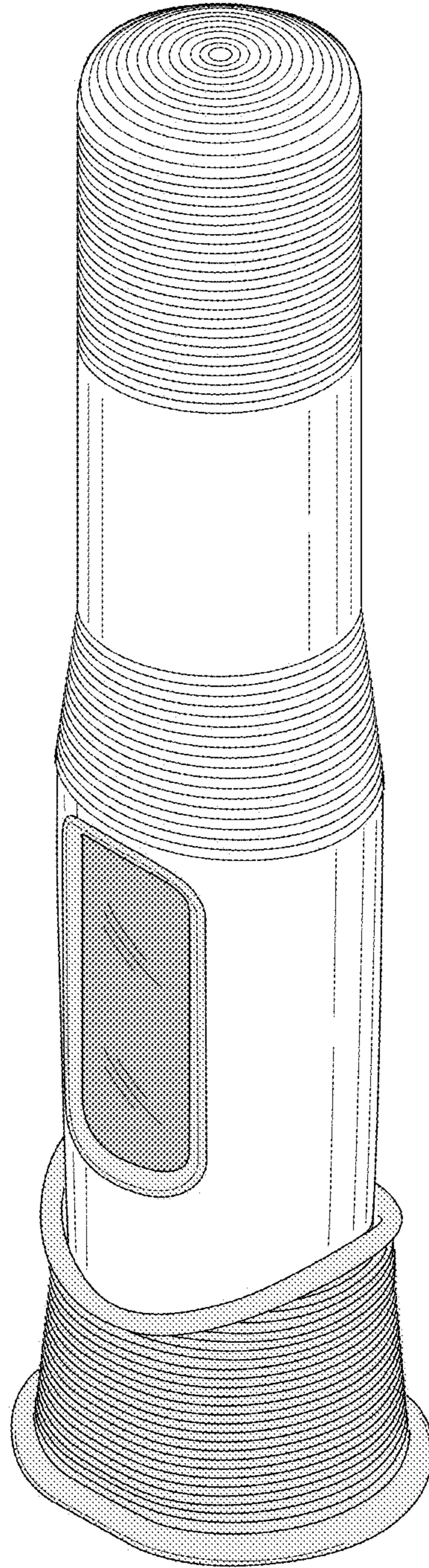


FIG. 9

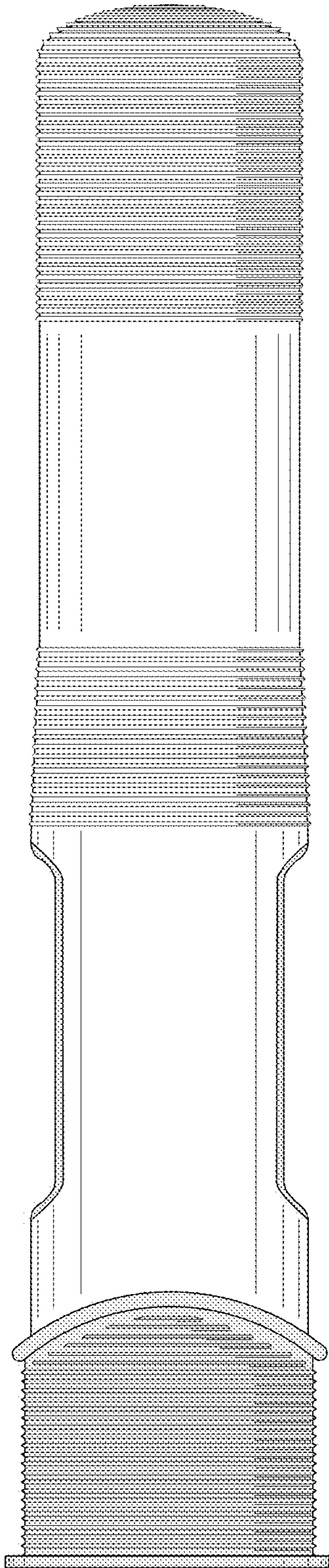


FIG. 10

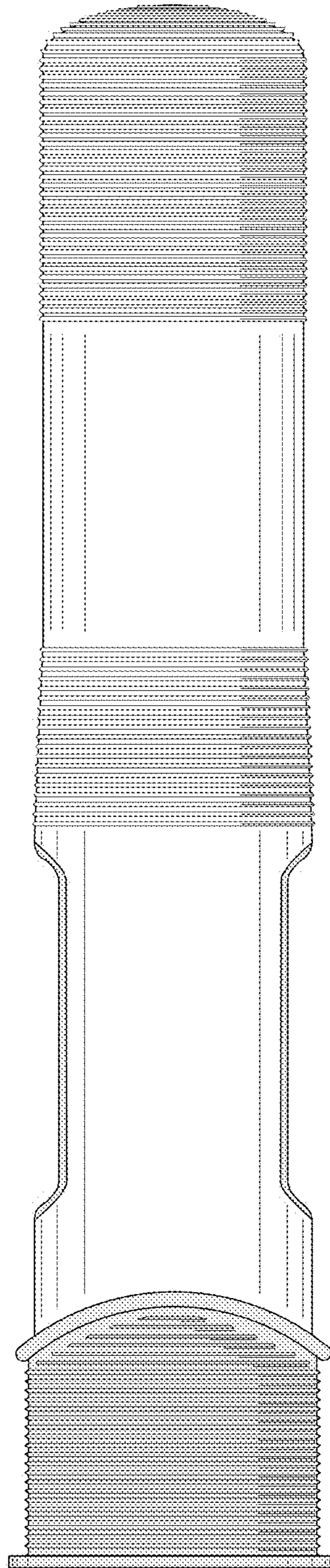


FIG. 11

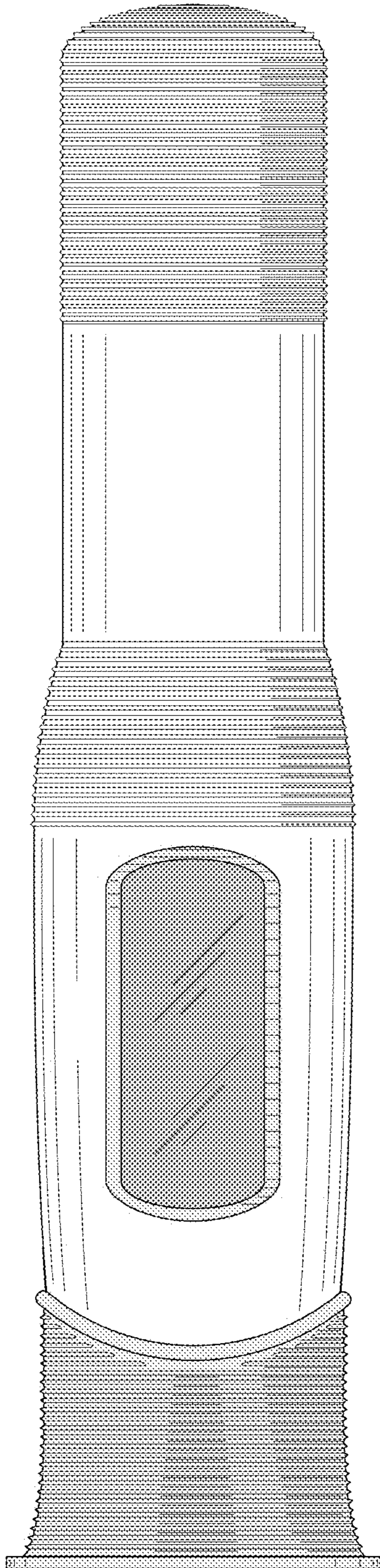


FIG. 12

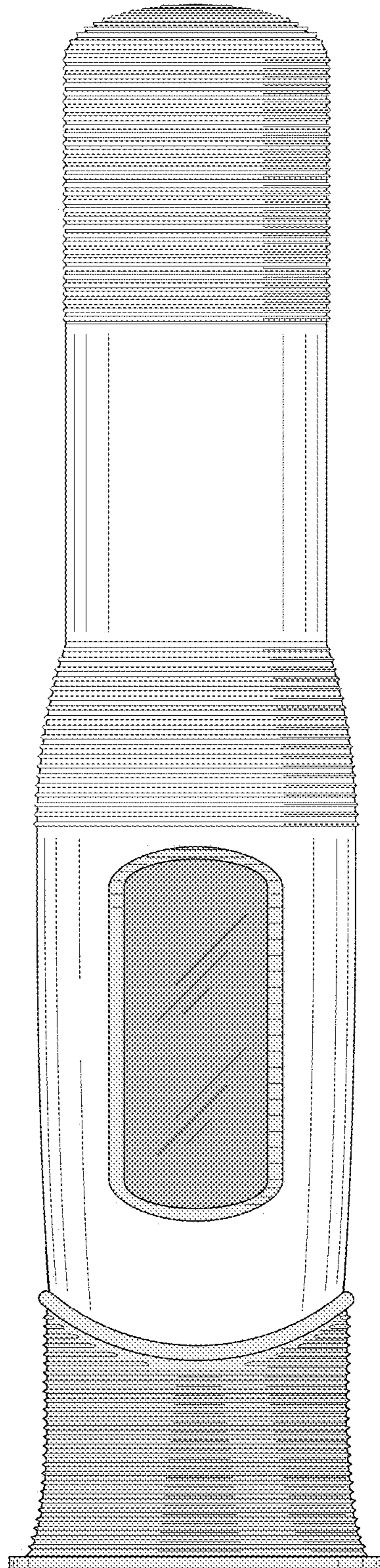
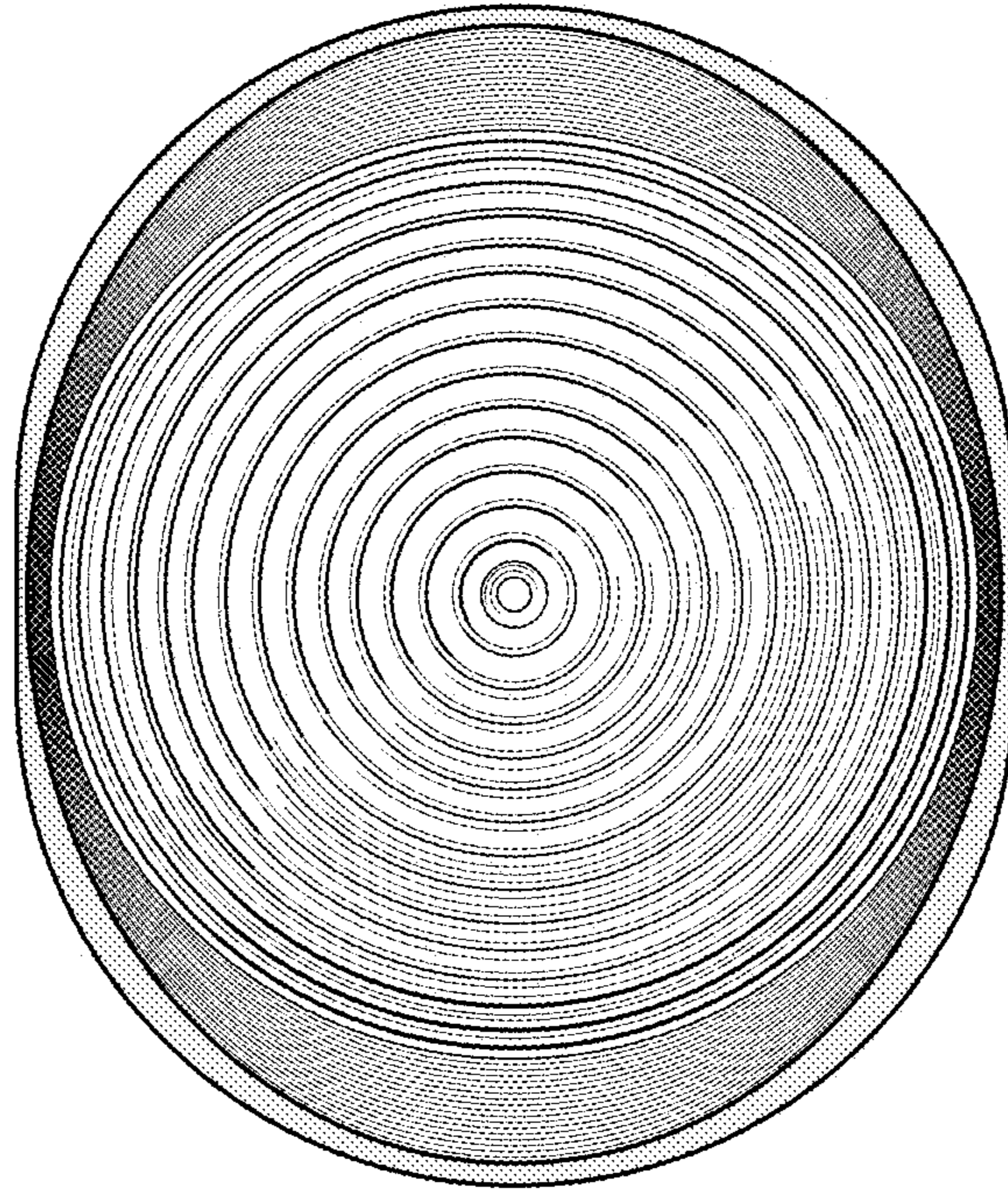
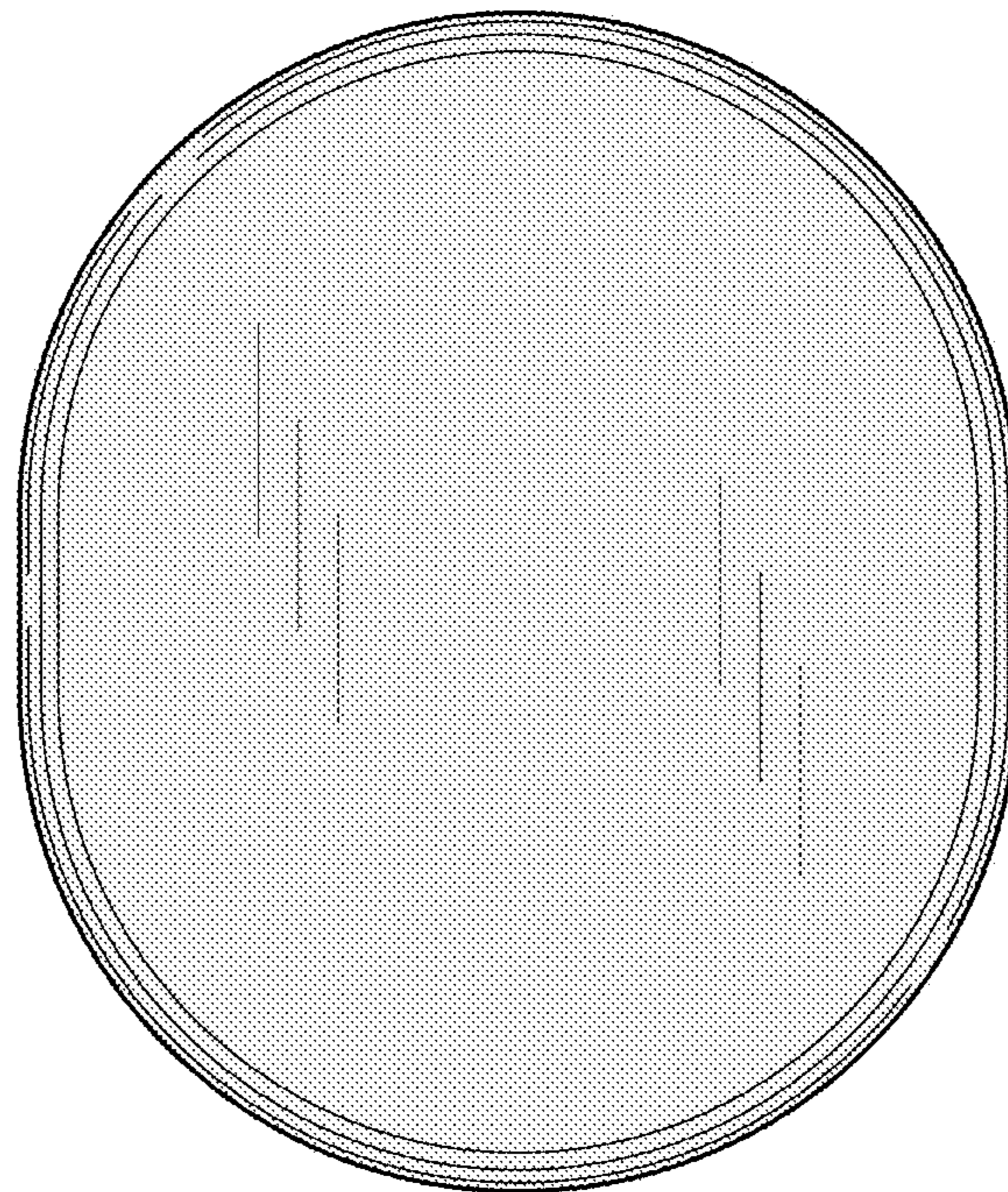


FIG. 13



**FIG. 14**



**FIG. 15**

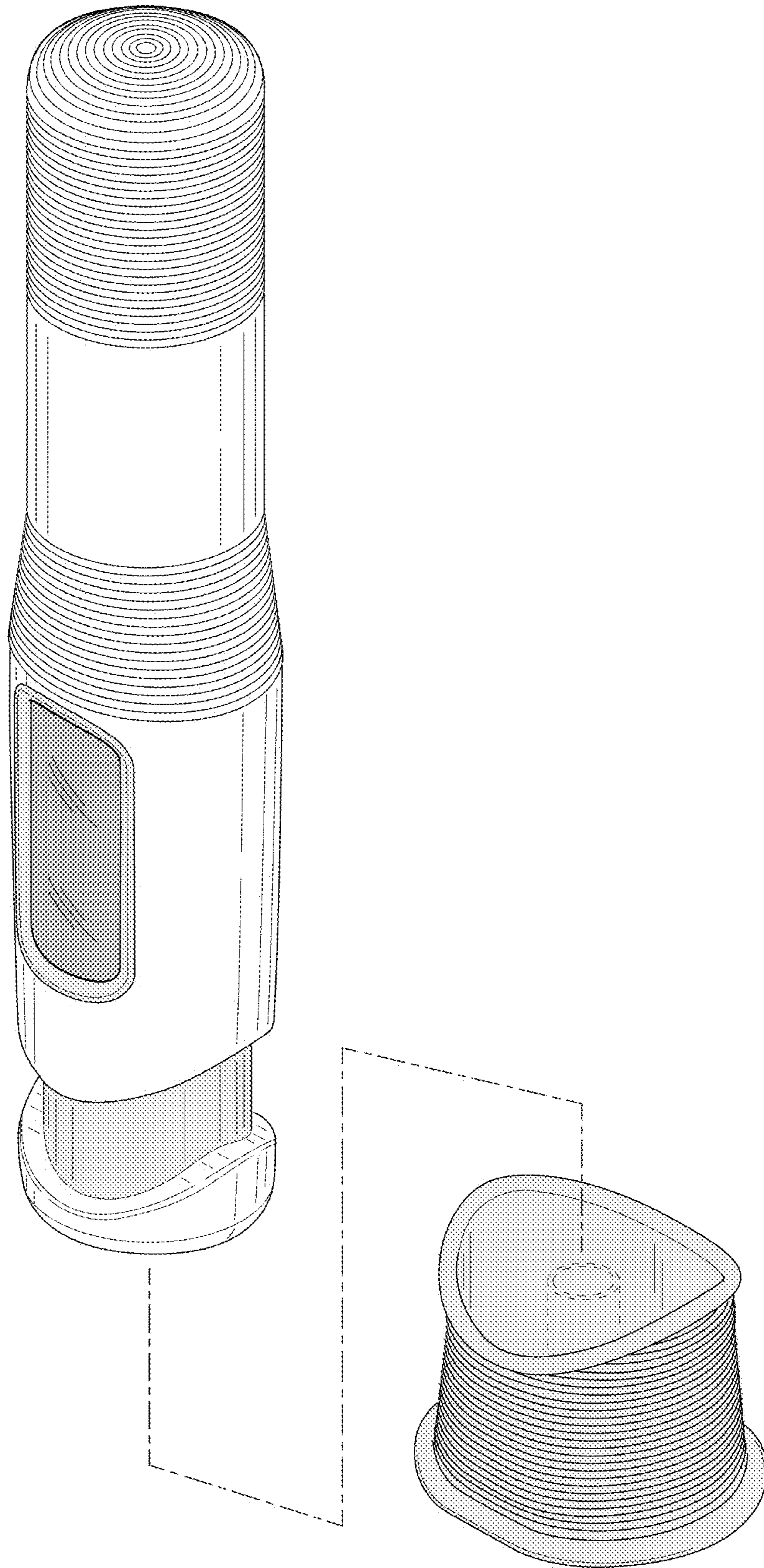


FIG. 16

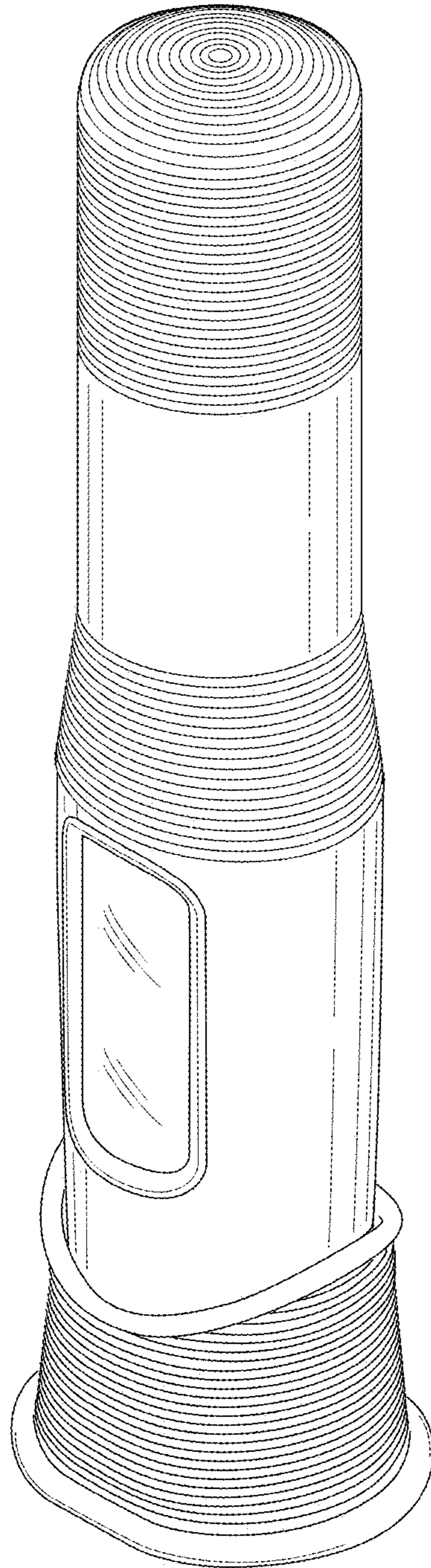


FIG. 17

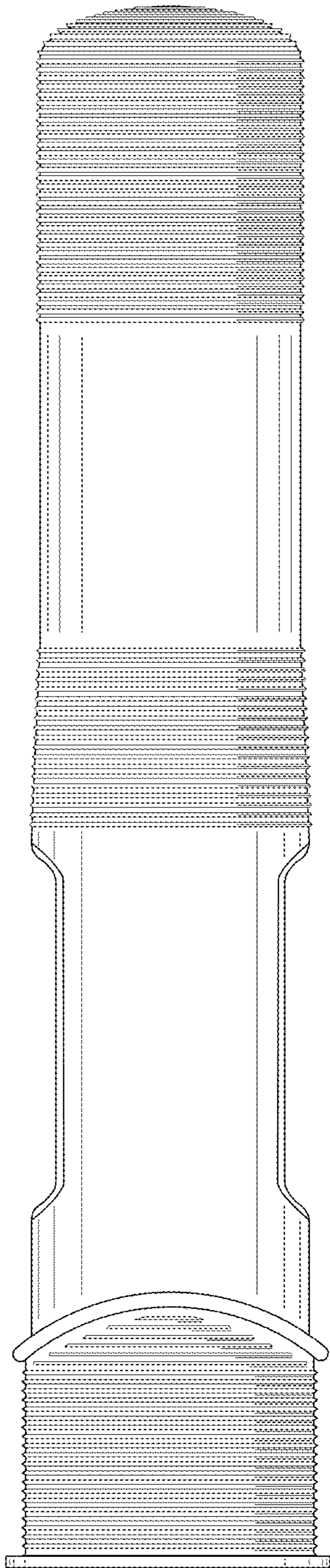


FIG. 18

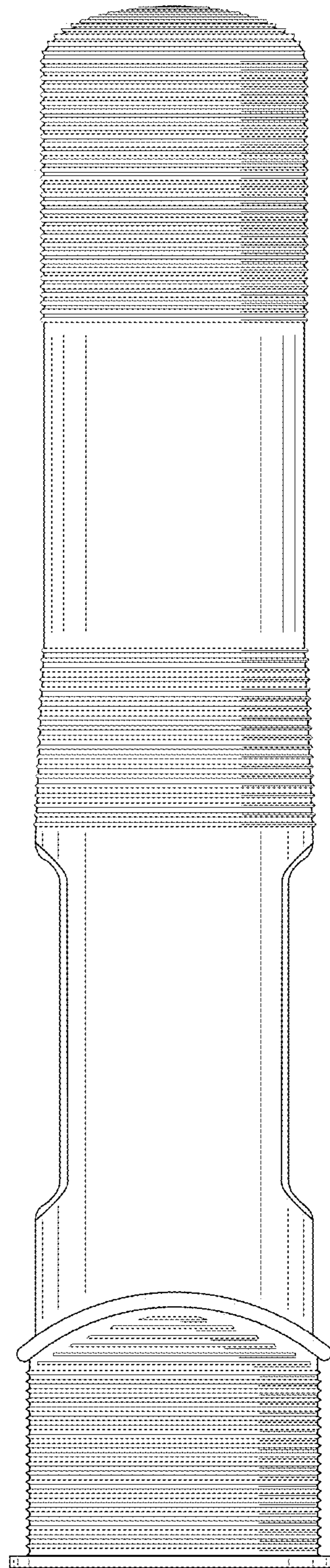


FIG. 19

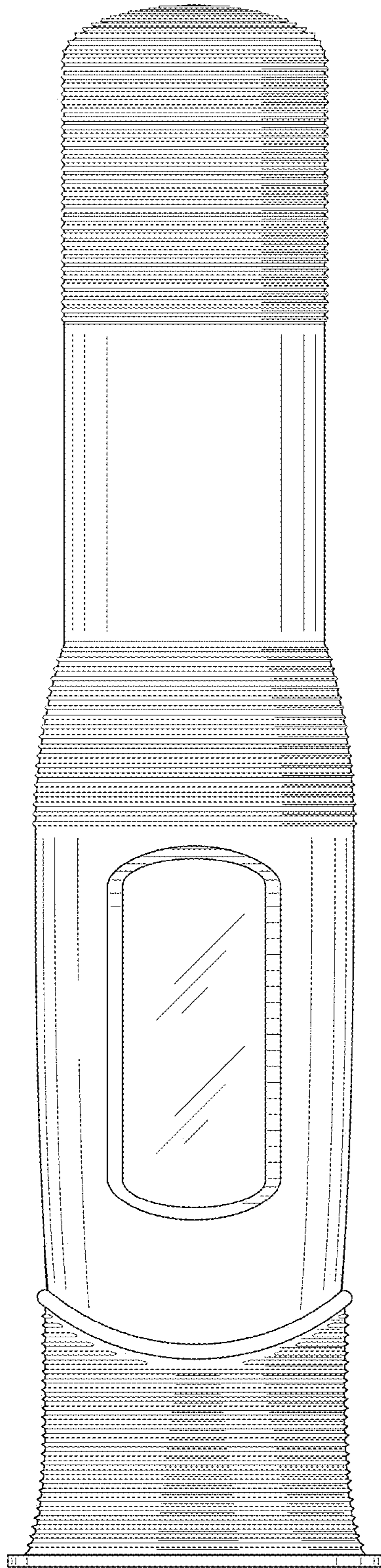


FIG. 20

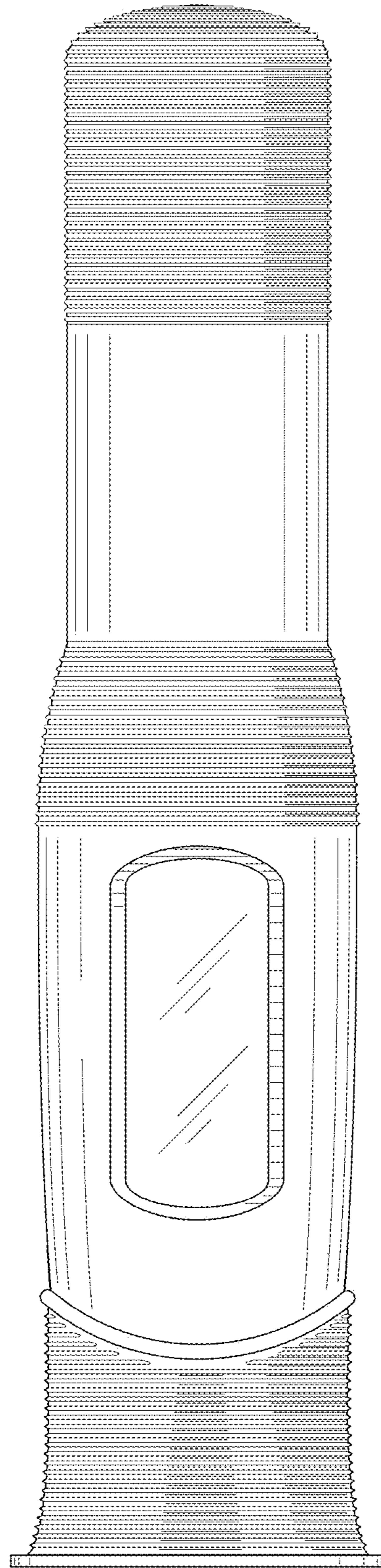


FIG. 21



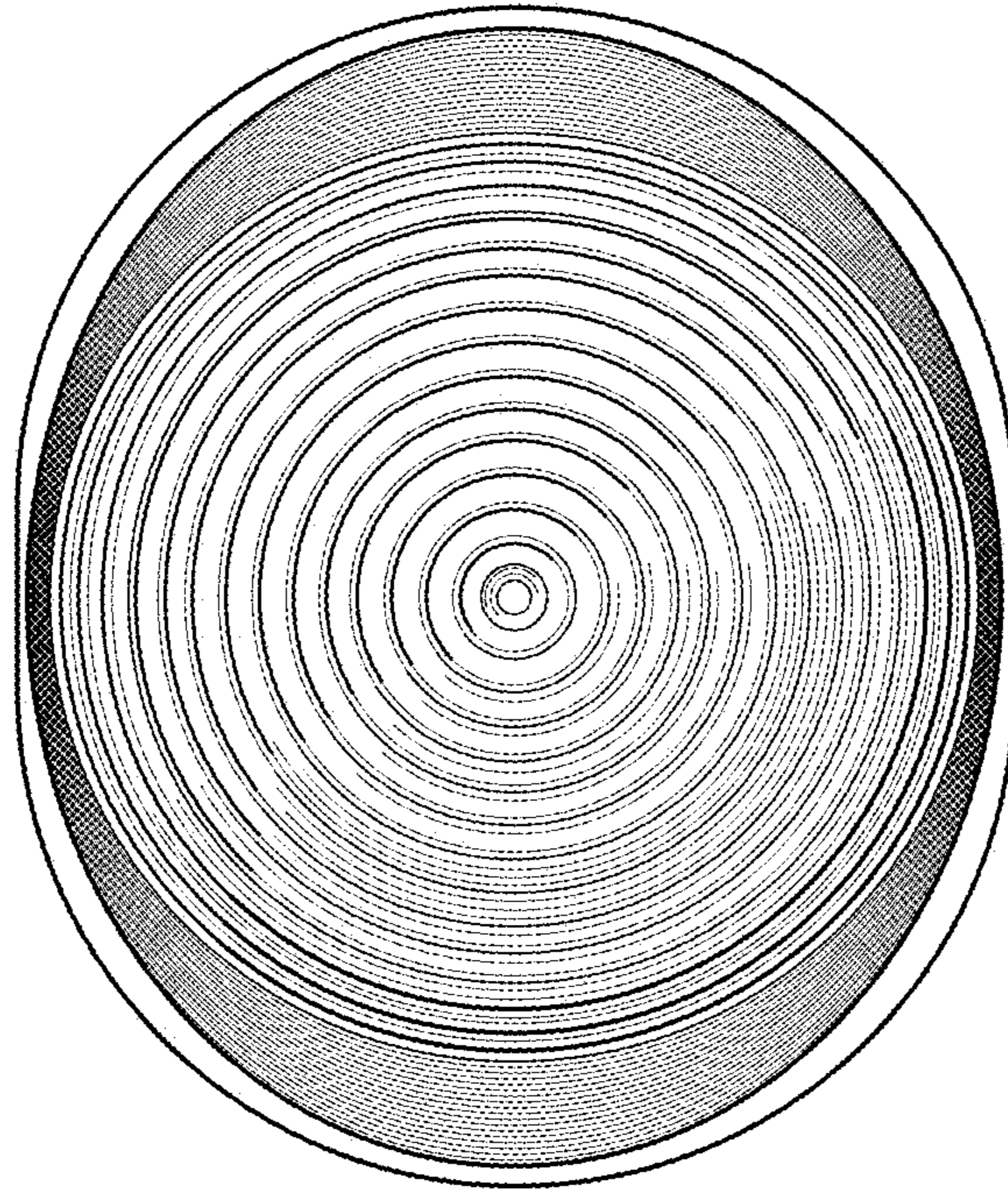


FIG. 22

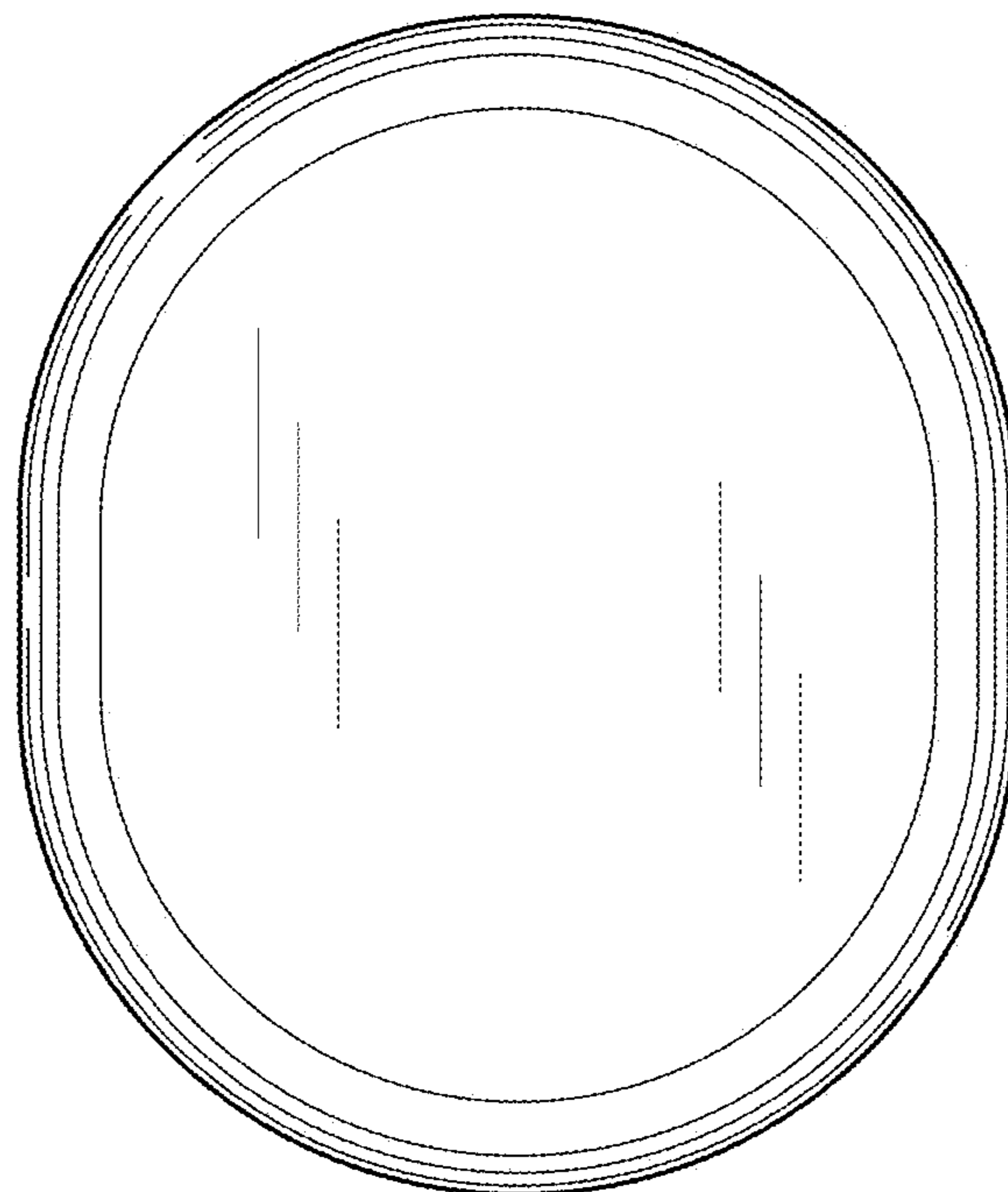


FIG. 23

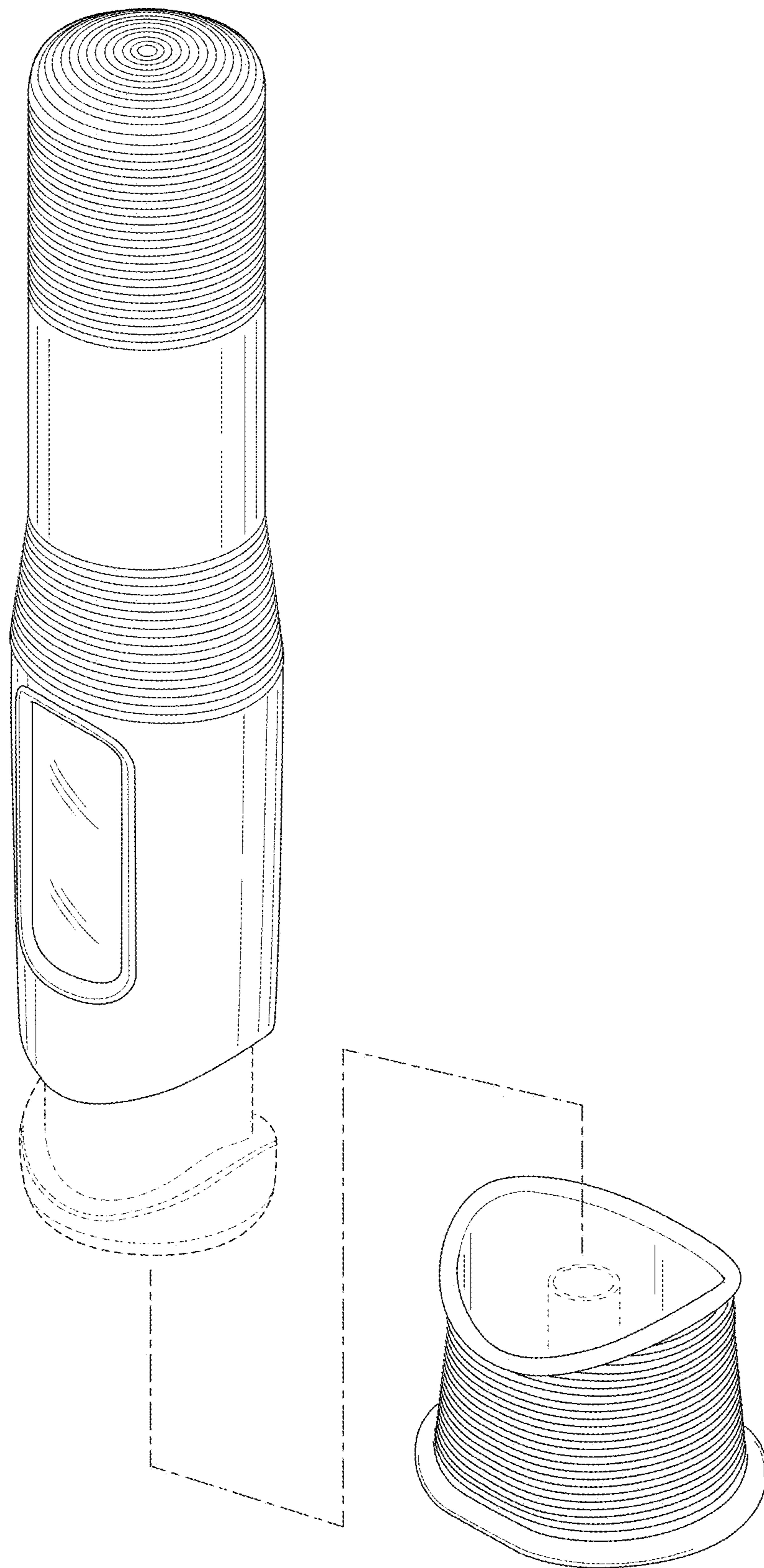


FIG. 24

UNITED STATES PATENT AND TRADEMARK OFFICE  
**CERTIFICATE OF CORRECTION**

PATENT NO. : D974,547 S  
APPLICATION NO. : 29/757416  
DATED : January 3, 2023  
INVENTOR(S) : Clare O'Malley et al.

Page 1 of 1


It is certified that error appears in the above-identified patent and that said Letters Patent is hereby corrected as shown below:

On the Title Page

At page 3, in Column 2, item (57), under "DESCRIPTION", Line 13, "right-side" should be -- left-side --.

At page 3, in Column 2, item (57), under "DESCRIPTION", Line 15, "left-side" should be -- top --.

At page 3, in Column 2, item (57), under "DESCRIPTION", Line 17, "top" should be -- bottom --.

Signed and Sealed this  
Twelfth Day of March, 2024  
  
Katherine Kelly Vidal  
Director of the United States Patent and Trademark Office