



US00D974542S

(12) **United States Design Patent**
Guo

(10) **Patent No.:** **US D974,542 S**
(45) **Date of Patent:** **** Jan. 3, 2023**

(54) **EARPLUG**
(71) Applicant: **Shenzhen Apwill Electronic Co., Ltd.**,
Guangdong (CN)
(72) Inventor: **Dehua Guo**, Guangdong (CN)
(73) Assignee: **Shenzhen Apwill Electronic Co., Ltd.**,
Shenzhen (CN)
(**) Term: **15 Years**
(21) Appl. No.: **29/806,006**
(22) Filed: **Aug. 31, 2021**

(30) **Foreign Application Priority Data**

Aug. 19, 2021 (CN) 202130540174.8

(51) **LOC (14) Cl.** **24-04**
(52) **U.S. Cl.**
USPC **D24/106**
(58) **Field of Classification Search**
USPC D24/106, 173, 174; D14/223; D29/112
CPC A61F 11/08; A61F 11/085
See application file for complete search history.

(56) **References Cited**

U.S. PATENT DOCUMENTS

2,246,737 A * 6/1941 Knudsen A61F 11/08
128/865
2,487,038 A * 11/1949 Baum H04R 1/1016
181/135
3,800,791 A * 4/1974 Visor A61F 11/08
181/135
D239,416 S * 3/1976 Visor D24/106
D242,391 S * 11/1976 Nightingale D24/188
D253,723 S * 12/1979 Leight D24/106
D281,159 S * 10/1985 Stevens D14/223
4,936,411 A * 6/1990 Leonard A61F 11/12
181/135
5,113,967 A * 5/1992 Killion A61F 11/08
181/135

D330,761 S * 11/1992 Falco A61F 11/085
D24/106
5,332,871 A * 7/1994 Carrigan A61F 11/08
181/135
D371,840 S * 7/1996 Leight D24/106
D388,093 S * 12/1997 Frengley D14/223
5,819,745 A * 10/1998 Mobley A61F 11/08
128/867
5,957,136 A * 9/1999 Magidson A61F 11/08
128/867
D434,139 S 11/2000 Foslien
D435,645 S * 12/2000 Westerdal D24/106
D436,164 S 1/2001 Foslien

(Continued)

FOREIGN PATENT DOCUMENTS

CN 307385994 * 6/2022

Primary Examiner — T Chase Nelson

Assistant Examiner — Kelly L Gross

(74) *Attorney, Agent, or Firm* — Dragon Sun Law Firm,
PC; Jinggao Li; Nathaniel Perkins

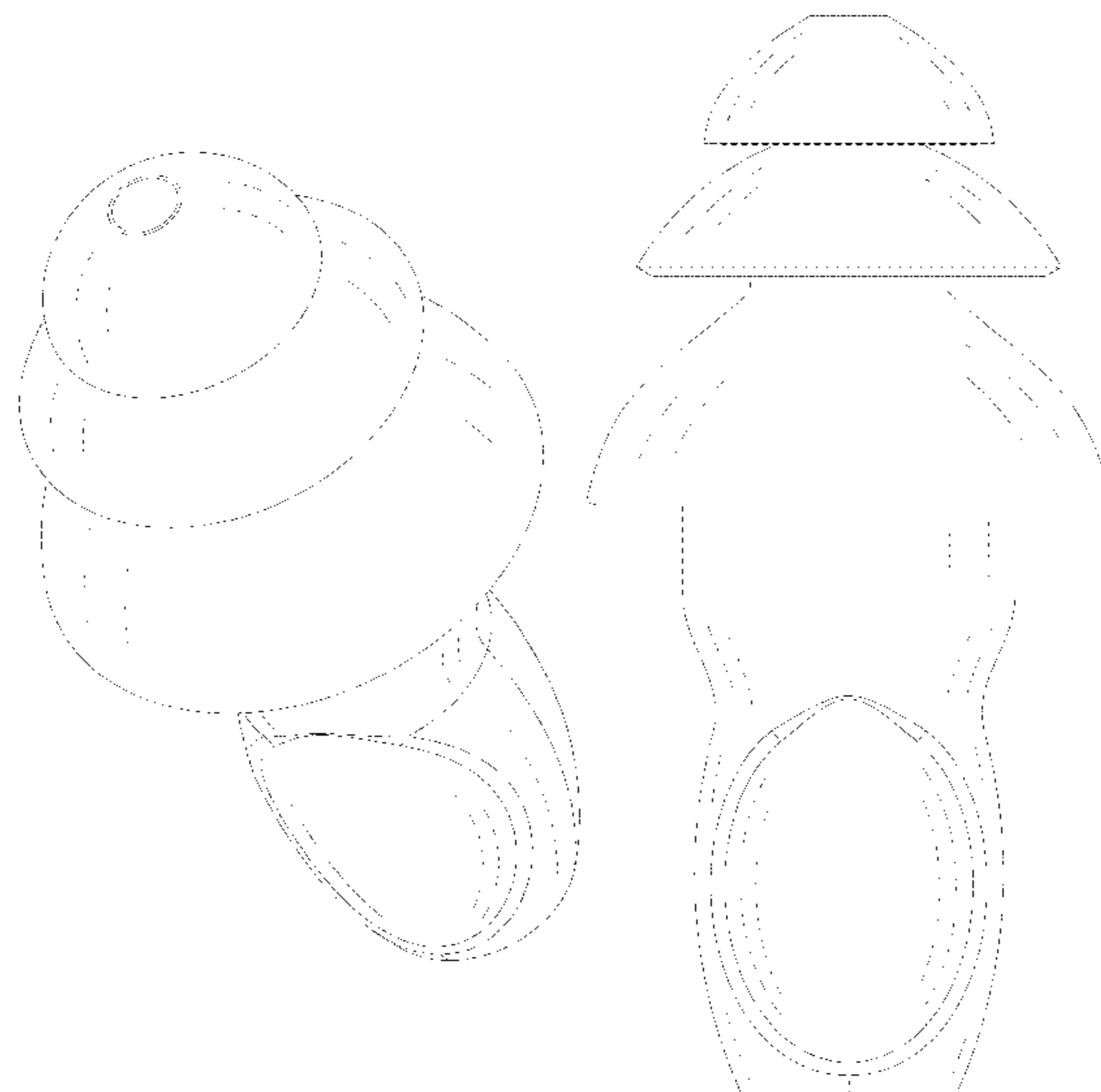
(57) **CLAIM**

The ornamental design for an earplug, as shown and described.

DESCRIPTION

FIG. 1 is a front, top perspective view of an earplug showing my new design;
FIG. 2 is a rear, bottom perspective view thereof;
FIG. 3 is a front view thereof;
FIG. 4 is a rear view thereof;
FIG. 5 is a left view thereof;
FIG. 6 is a right view thereof;
FIG. 7 is a top view thereof; and,
FIG. 8 is a bottom view thereof.
The broken lines shown on the drawings depict portions of the earplug that form no part of the claimed design.

1 Claim, 8 Drawing Sheets



(56)

References Cited

U.S. PATENT DOCUMENTS

D445,893 S * 7/2001 Remer A61F 11/08
D24/106
D445,894 S * 7/2001 Remer A61F 11/08
D24/106
6,286,622 B1 * 9/2001 Tiemann A61F 11/08
181/135
D461,791 S * 8/2002 Ma D14/206
D468,301 S 1/2003 Fushimi
D472,627 S * 4/2003 Falco A61F 11/08
D24/106
6,695,093 B1 * 2/2004 Falco A61F 11/08
181/135
D492,766 S 7/2004 Falco
D493,219 S 7/2004 Falco
D494,268 S 8/2004 Fleming
D494,269 S * 8/2004 Fleming A61F 11/08
D24/106
D518,179 S * 3/2006 Holmes D24/174
D521,637 S * 5/2006 Yang D24/106
D536,089 S * 1/2007 Magidson A61F 11/08
D24/106
D539,415 S * 3/2007 Fleming A61F 11/08
D24/106
D560,792 S * 1/2008 Miller A61F 11/08
D24/106
7,512,247 B1 * 3/2009 Odinak H04R 1/1016
381/315
D592,300 S * 5/2009 Yeh A61F 11/08
D24/106
D599,778 S 9/2009 Ando
D604,409 S * 11/2009 Scanlon D24/106
D606,189 S * 12/2009 Lajtai D24/106
D624,999 S 10/2010 Turdjian et al.
D651,302 S 12/2011 Falco
D676,954 S * 2/2013 Turdjian A61F 11/08
D24/106
8,770,338 B1 * 7/2014 Duncan A61F 11/08
181/135
D717,938 S * 11/2014 Duncan A61F 11/08
D24/106

D733,865 S * 7/2015 Ely A61F 11/08
D24/106
D739,518 S * 9/2015 Butler D24/106
D739,520 S * 9/2015 Butler D24/106
D745,135 S * 12/2015 Butler D24/106
9,730,837 B1 * 8/2017 Schumaier A61F 11/08
D835,259 S * 12/2018 Heikkilä A61F 11/08
D24/106
D846,124 S * 4/2019 Wagner D24/174
D872,062 S * 1/2020 Cui D14/223
D875,709 S 2/2020 Yuanfa et al.
D877,720 S * 3/2020 Madramotoo D14/223
D883,491 S * 5/2020 Ponti D24/174
D887,543 S * 6/2020 Gu A61F 11/08
D24/106
D892,302 S * 8/2020 Gu D24/106
D900,995 S * 11/2020 Fu D24/106
D904,347 S 12/2020 Yamamoto et al.
D908,203 S * 1/2021 Schumaier D24/106
D931,437 S * 9/2021 Yuan D24/106
D932,002 S * 9/2021 Yuan D24/106
D938,013 S * 12/2021 Clark D24/106
D938,574 S * 12/2021 Guo D24/106
D939,687 S * 12/2021 Ye D24/106
D941,459 S * 1/2022 Soss D24/106
D942,610 S * 2/2022 Dittrich D24/106
D955,369 S * 6/2022 Zhang D14/223
D956,204 S * 6/2022 Sadanandan D24/106
2002/0066455 A1 * 6/2002 Falco A61F 11/08
128/864
2003/0172938 A1 * 9/2003 Falco A61F 11/08
128/864
2006/0162992 A1 * 7/2006 Seville A61F 11/08
181/135
2007/0183606 A1 * 8/2007 Doty A61F 11/12
381/72
2014/0198926 A1 * 7/2014 Killion H04R 1/1041
381/72
2015/0047651 A1 * 2/2015 Haapapuro A61F 11/12
128/866
2016/0310326 A1 * 10/2016 Bennett H05B 47/12
2016/0354251 A1 * 12/2016 Chen A61F 11/08
2018/0098885 A1 * 4/2018 Delfino A61F 11/08
2019/0201245 A1 * 7/2019 Albean H04R 1/1016
2021/0045926 A1 * 2/2021 Clark A61F 11/08

* cited by examiner

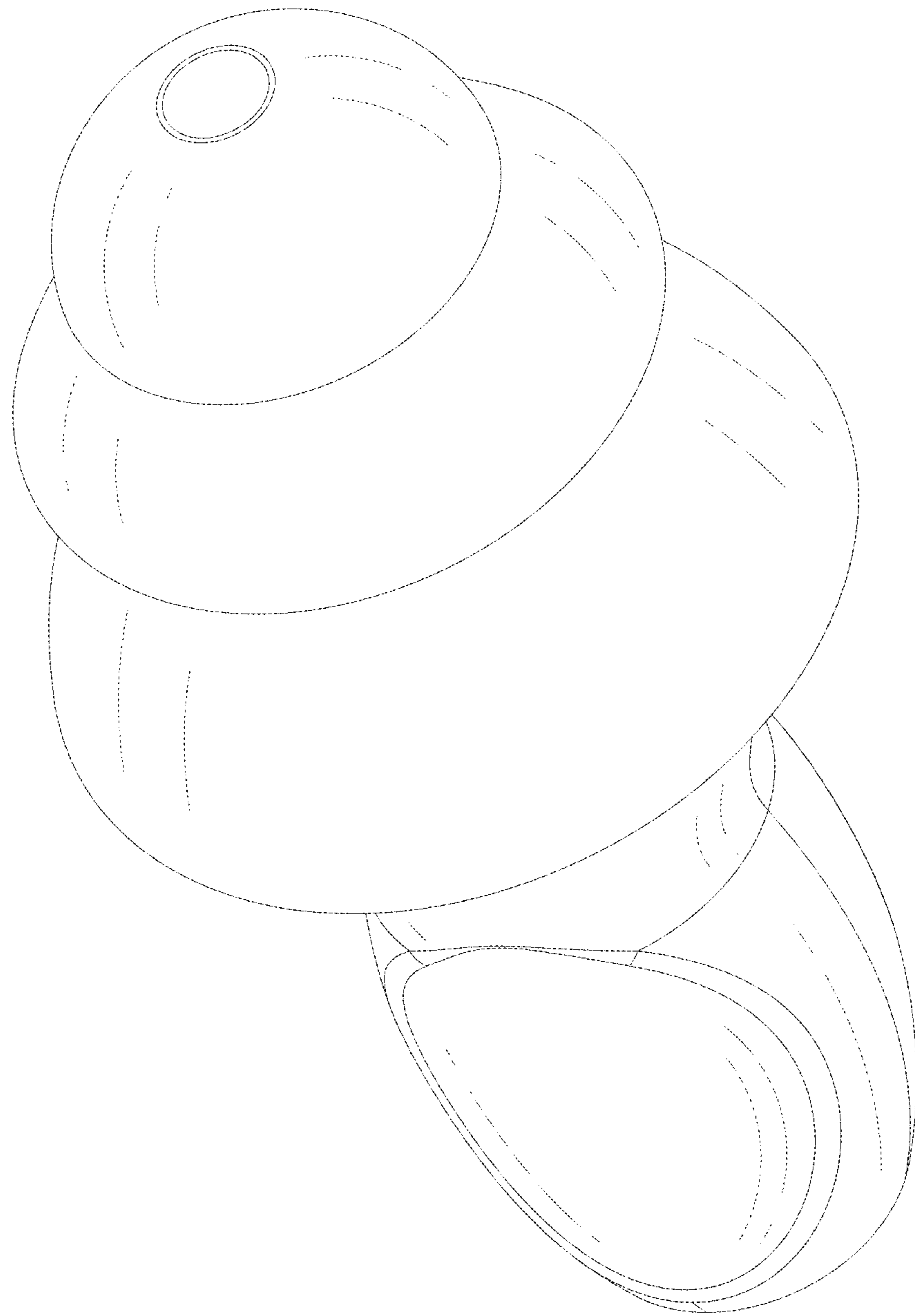


FIG. 1

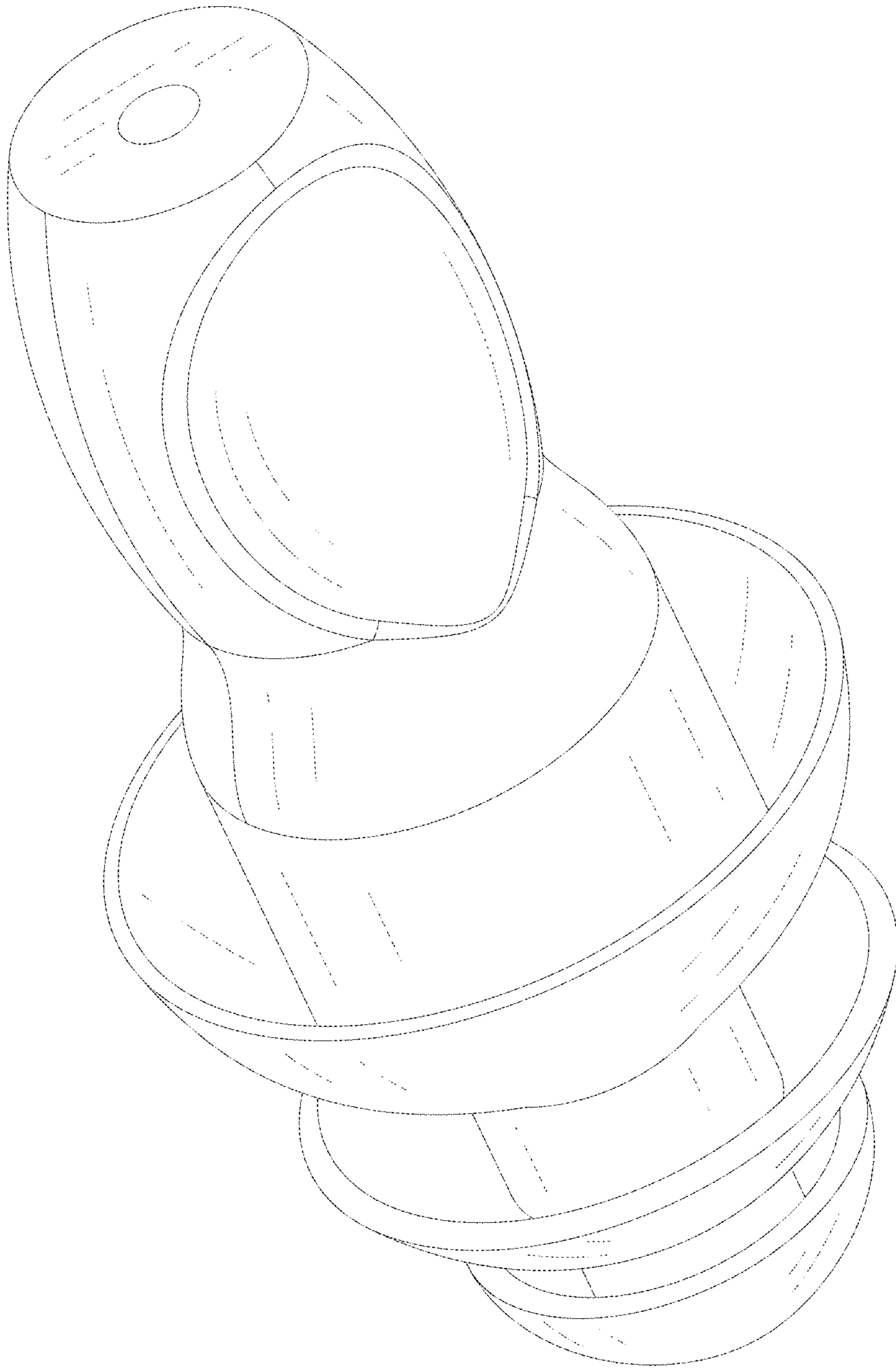


FIG. 2

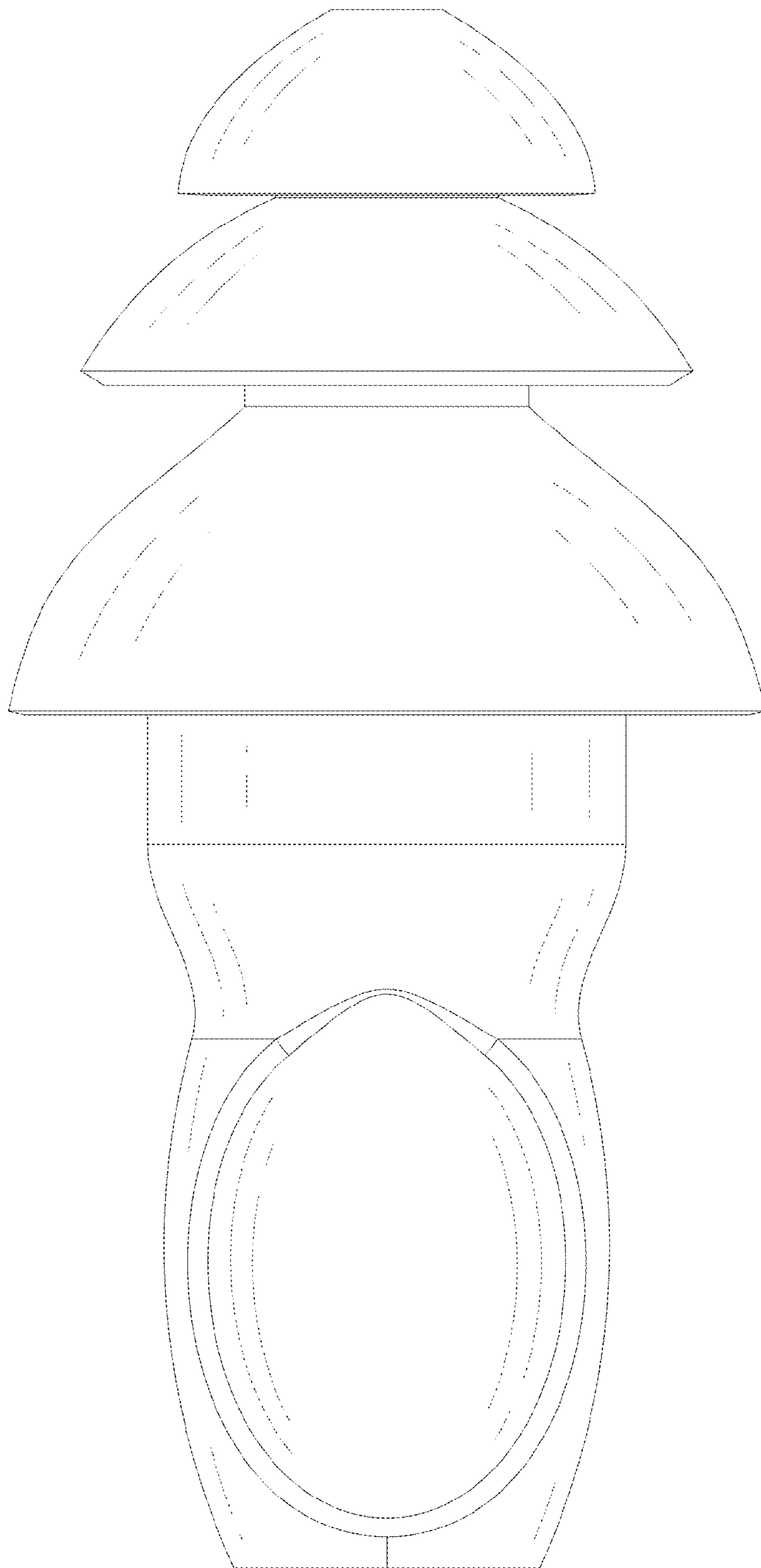


FIG. 3

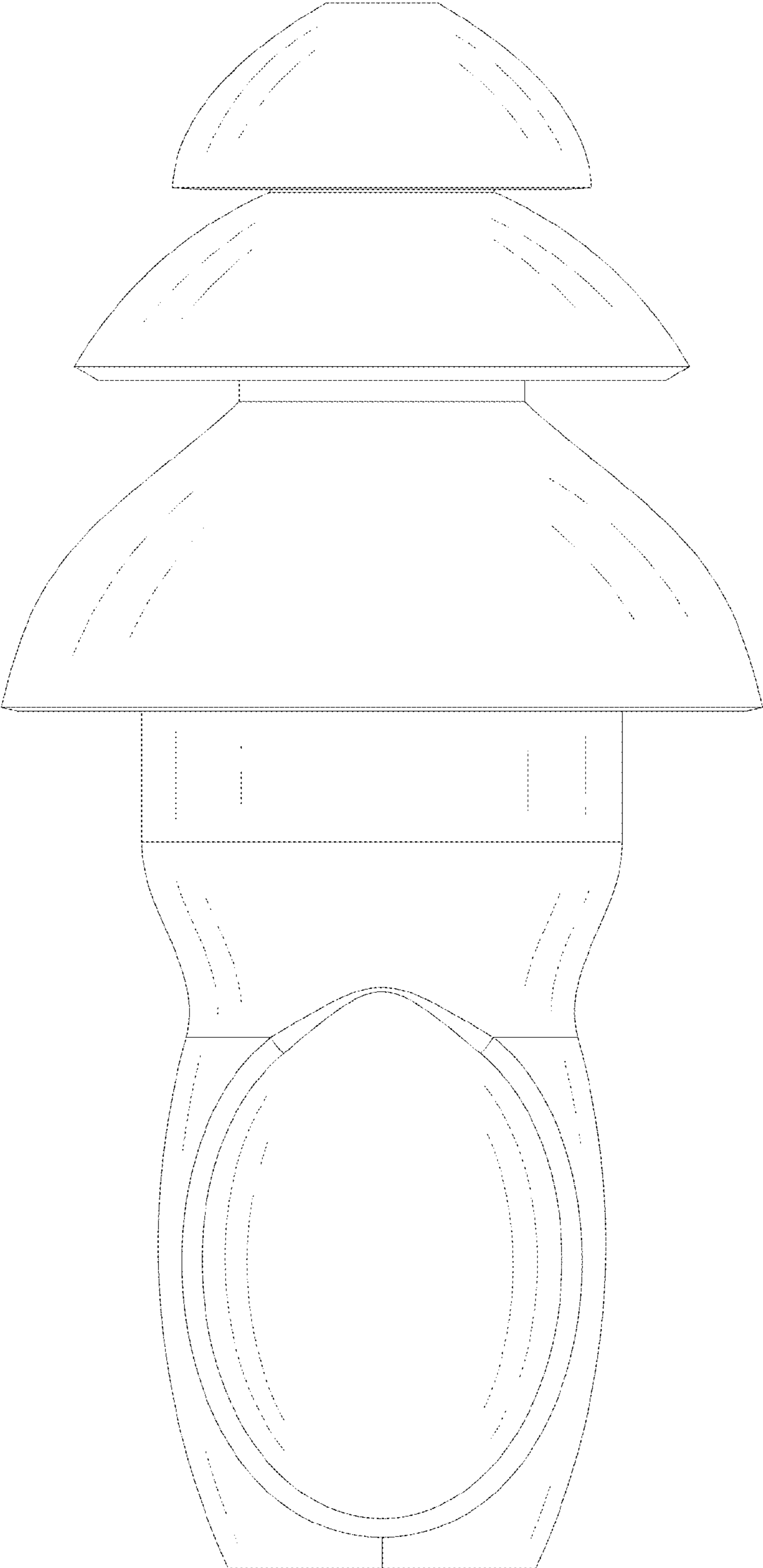


FIG. 4

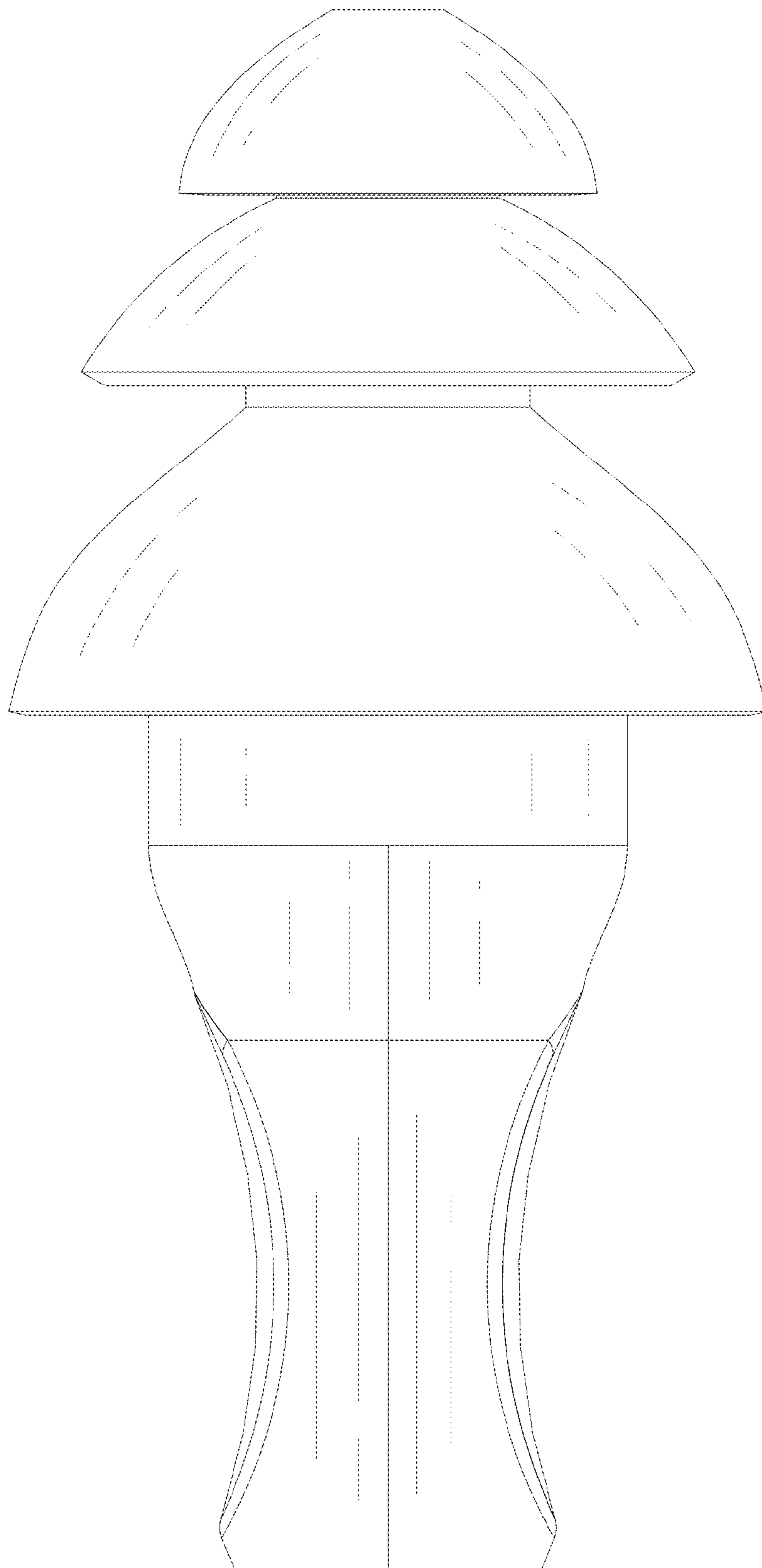


FIG. 5

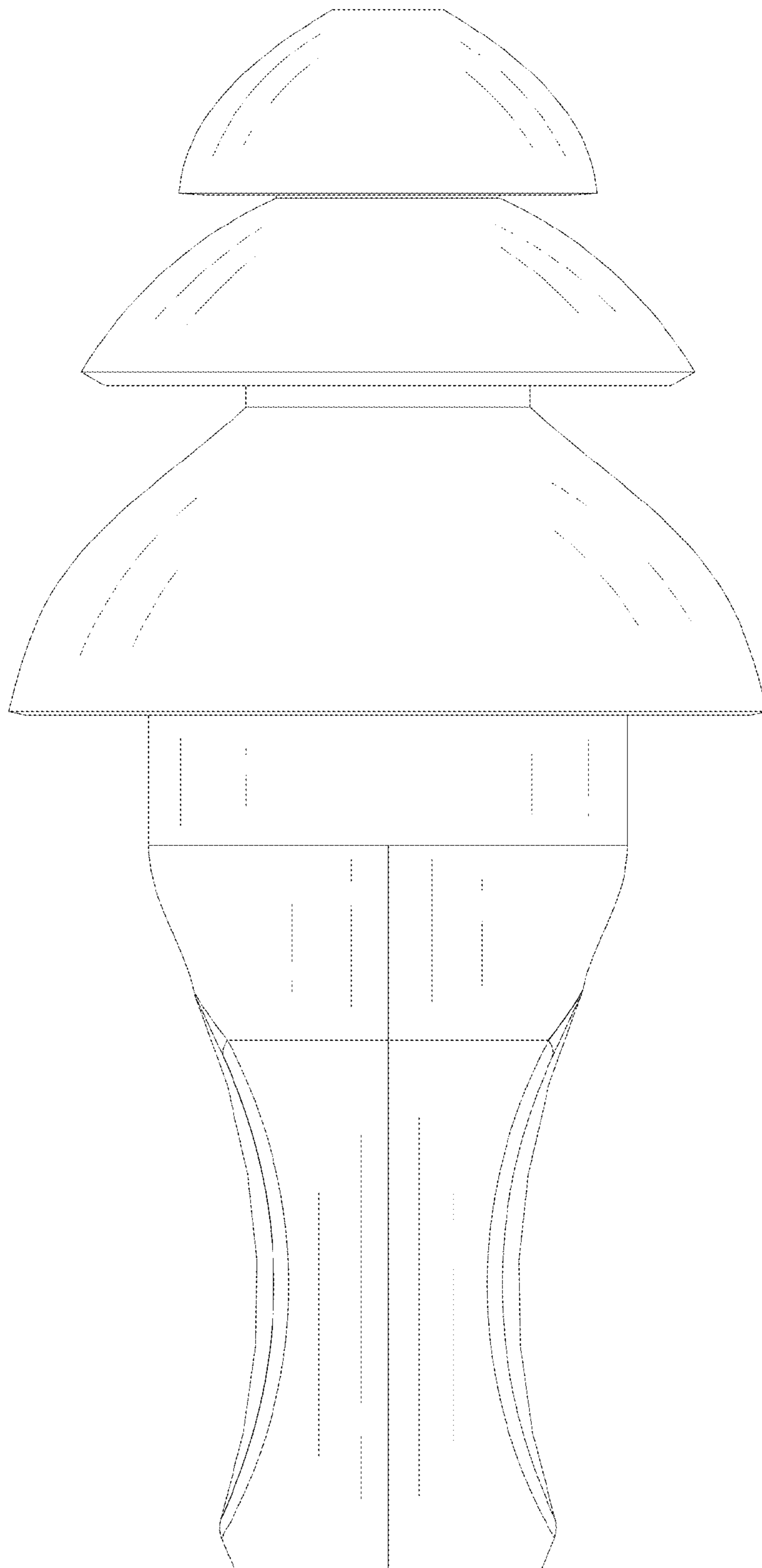


FIG. 6

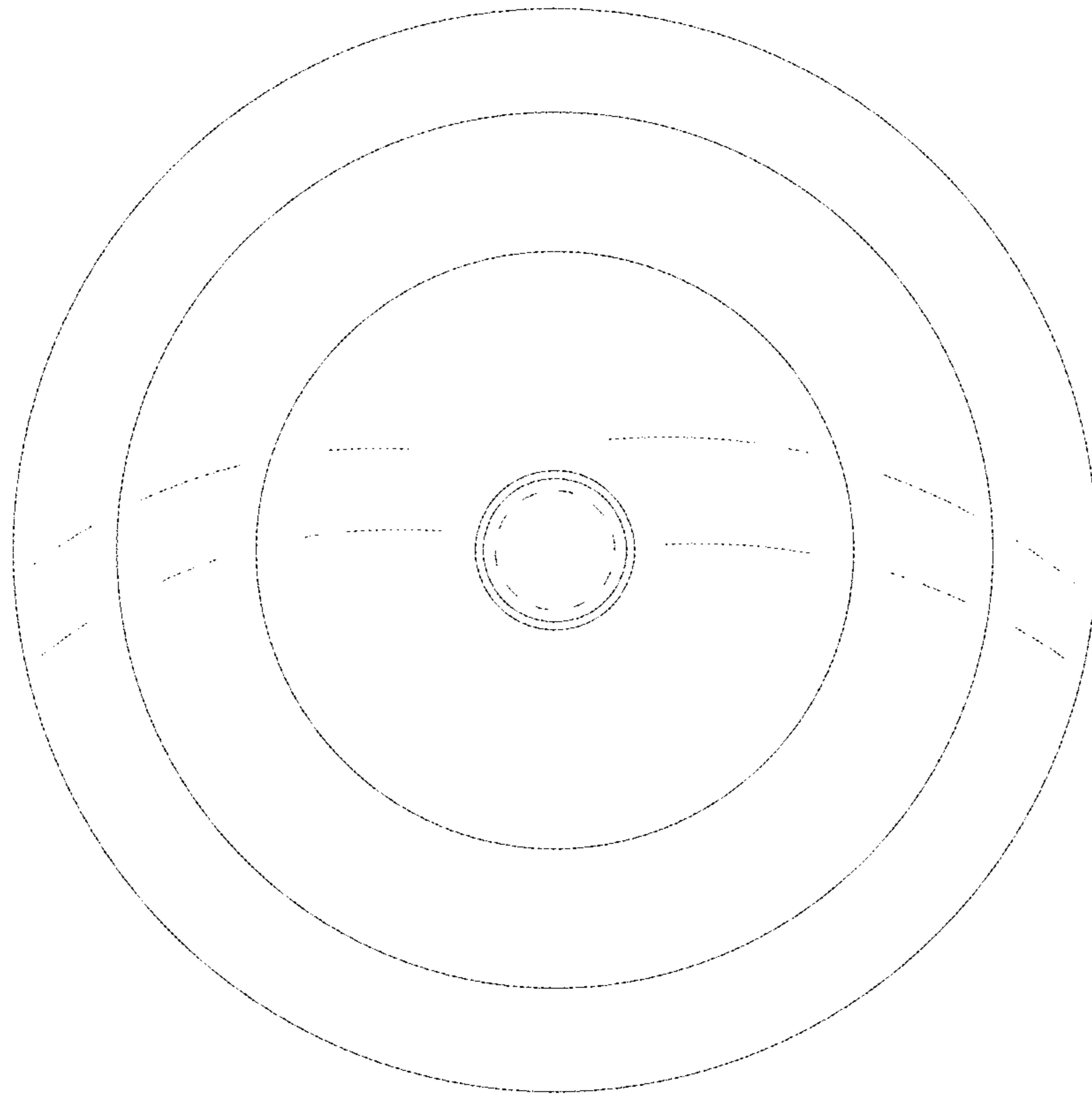


FIG. 7

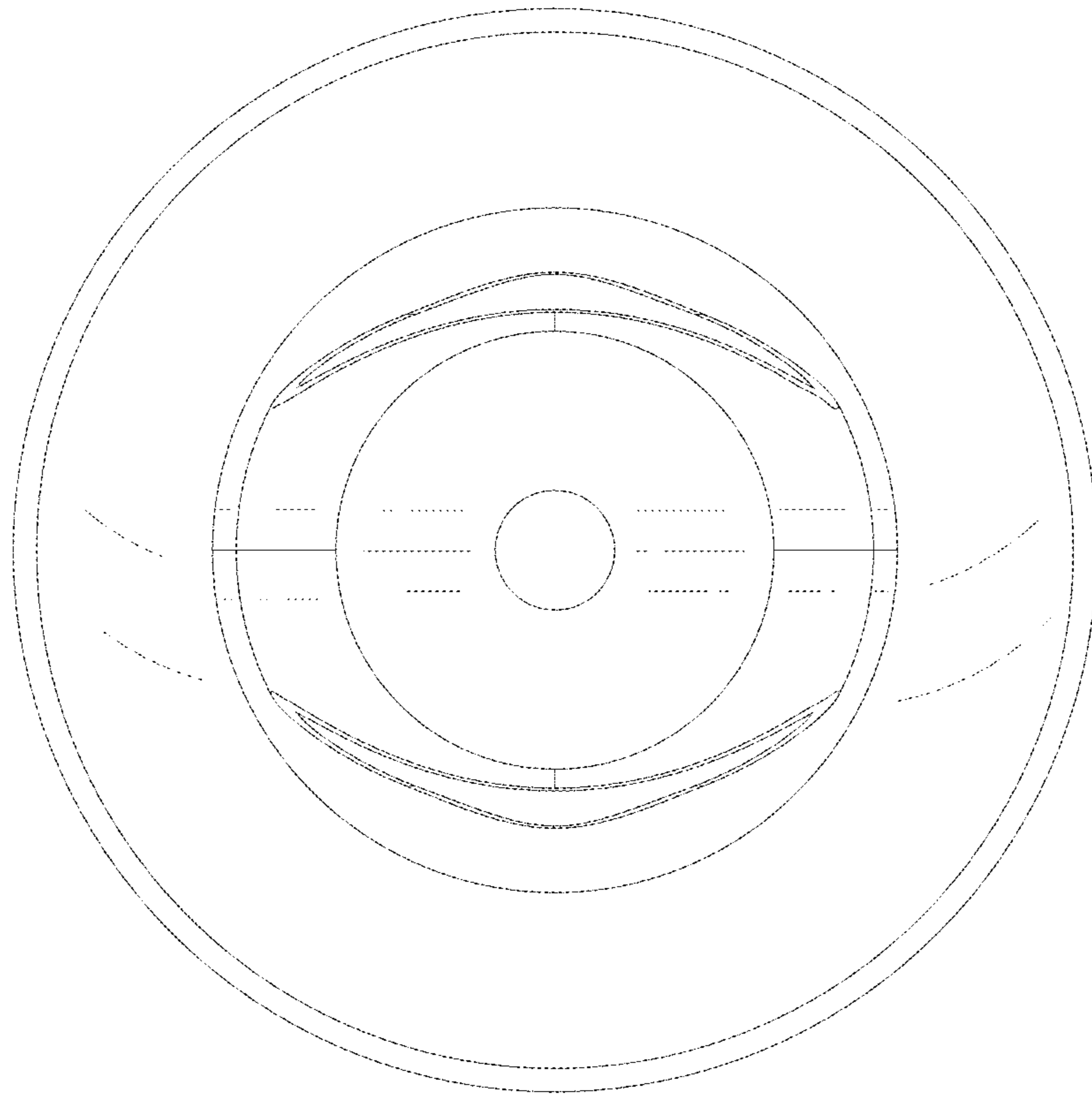


FIG. 8