



US00D974540S

(12) **United States Design Patent**
Tang

(10) **Patent No.:** **US D974,540 S**

(45) **Date of Patent:** **** Jan. 3, 2023**

(54) **OUTDOOR FAN**

(71) Applicant: **Xiaofeng Tang**, Yongzhou (CN)

(72) Inventor: **Xiaofeng Tang**, Yongzhou (CN)

(**) Term: **15 Years**

(21) Appl. No.: **29/817,984**

(22) Filed: **Dec. 6, 2021**

(51) **LOC (14) Cl.** **23-04**

(52) **U.S. Cl.**
USPC **D23/381**

(58) **Field of Classification Search**
USPC D23/328, 332-337, 351-352, 370, 378,
D23/380-383

CPC F04D 25/0673; F04D 25/08; F04D 25/084;
F04D 25/086

See application file for complete search history.

(56) **References Cited**

U.S. PATENT DOCUMENTS

D674,888 S *	1/2013	Kawase	D23/370
D691,256 S *	10/2013	Pan	D23/370
D777,899 S	1/2017	Wark		
D788,277 S *	5/2017	Monfette	D23/342
D825,048 S	8/2018	Breit et al.		
D887,542 S *	6/2020	Youngblutt	D23/382
D888,218 S *	6/2020	Wang	D23/370

D893,698 S *	8/2020	Lin	D23/381
D919,075 S *	5/2021	Lin	D23/381
D945,591 S *	3/2022	Mo	D23/382

OTHER PUBLICATIONS

Portable Fan Rechargeable, date customers' questions answered with videos May 25, 2021, site visited Jul. 25, 2022, available at <<https://www.amazon.com/Portable-Rechargeable-Operated-Personal-Adjustable/dp/B08939411L?th=1>>.*

* cited by examiner

Primary Examiner — Sharon S Oum

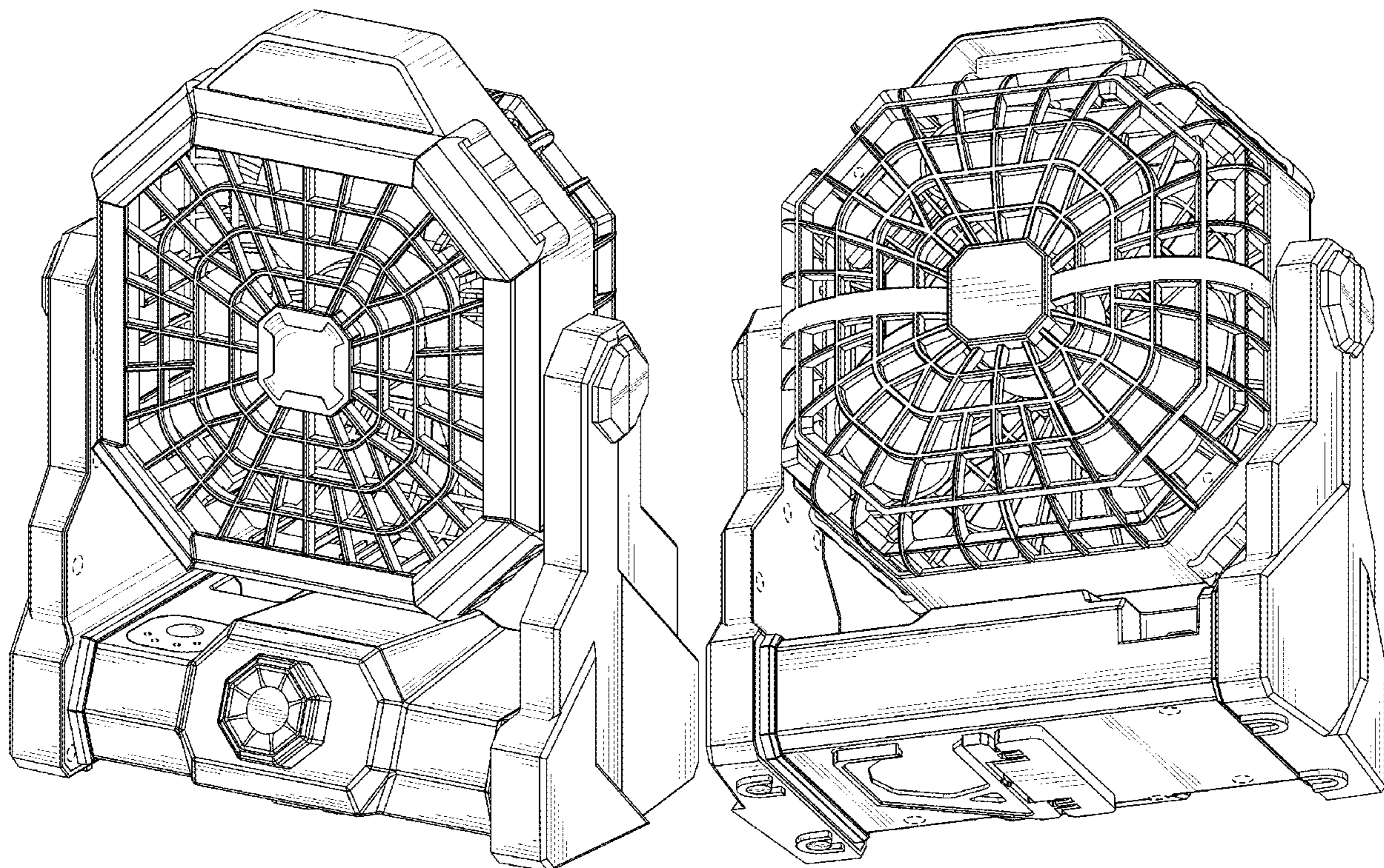
(57) **CLAIM**

The ornamental design for an outdoor fan, as shown and described.

DESCRIPTION

FIG. 1 is a front, top and right perspective view of an outdoor fan showing my new design; FIG. 2 is a left, rear and bottom perspective view thereof; FIG. 3 is a front view thereof; FIG. 4 is a rear view thereof; FIG. 5 is a left side view thereof; FIG. 6 is a right side view thereof; FIG. 7 is a top plan view thereof; and, FIG. 8 is a bottom plan view thereof. The broken lines in the figures illustrate portions of the outdoor fan that form no part of the claimed design.

1 Claim, 8 Drawing Sheets



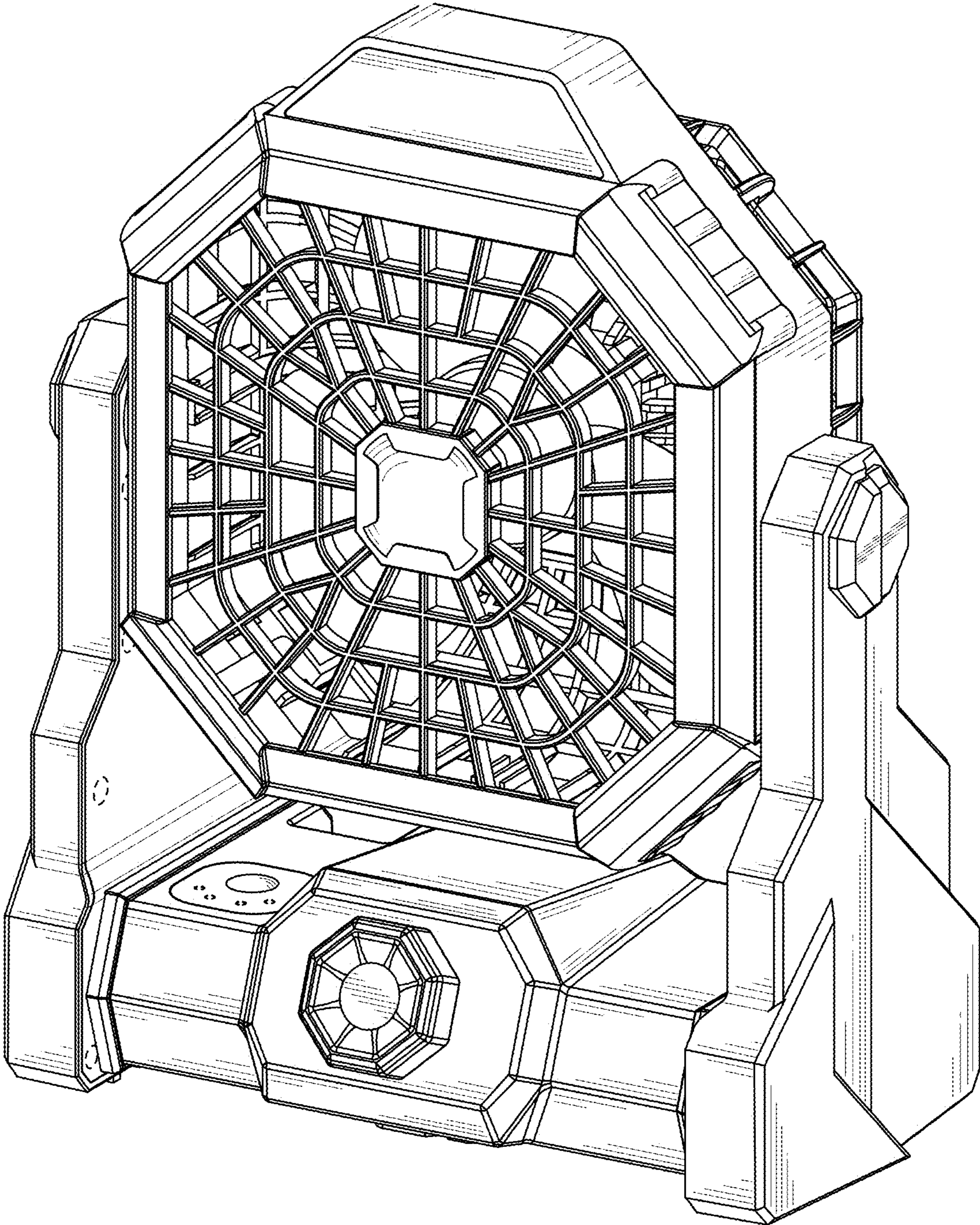


FIG. 1

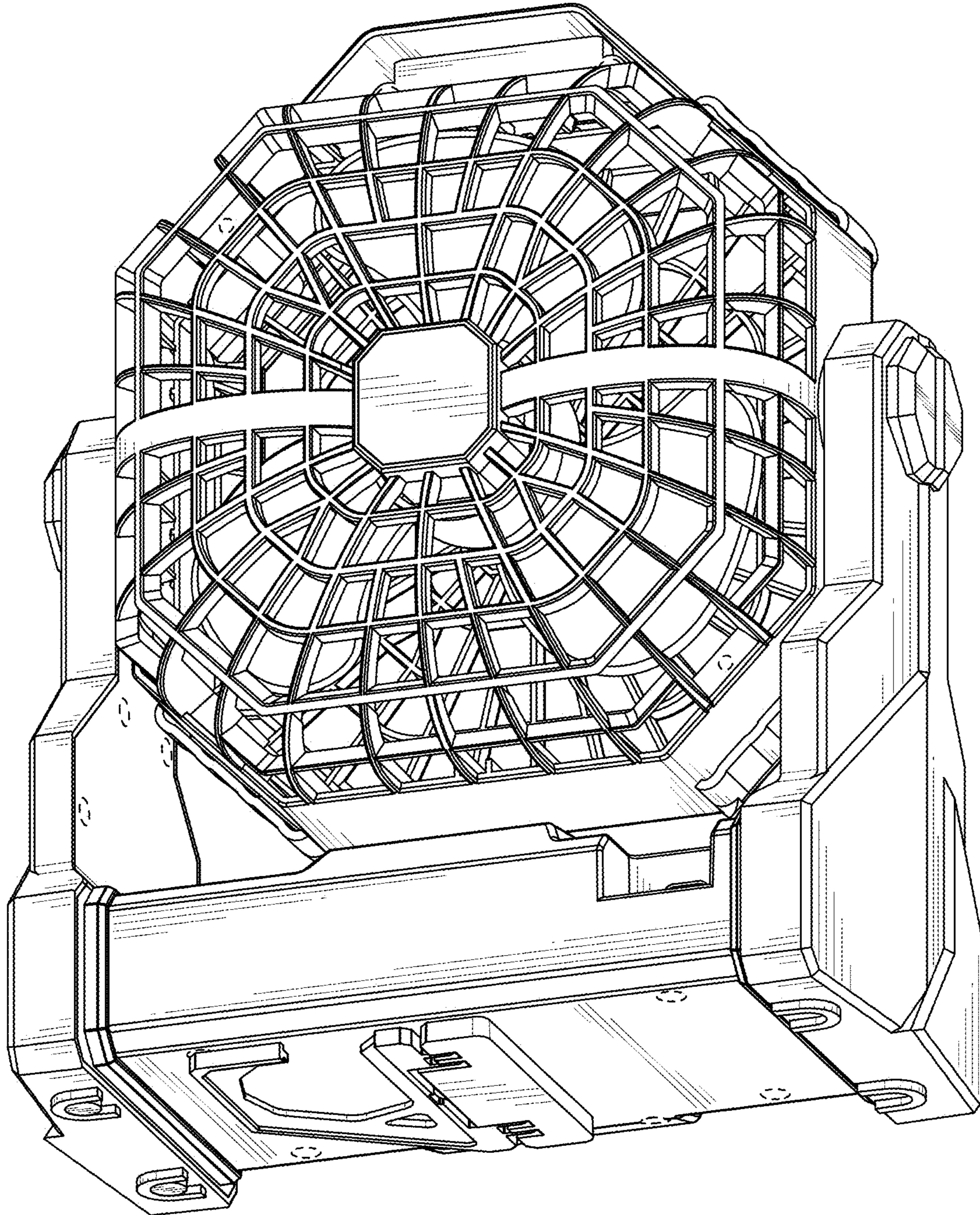


FIG. 2

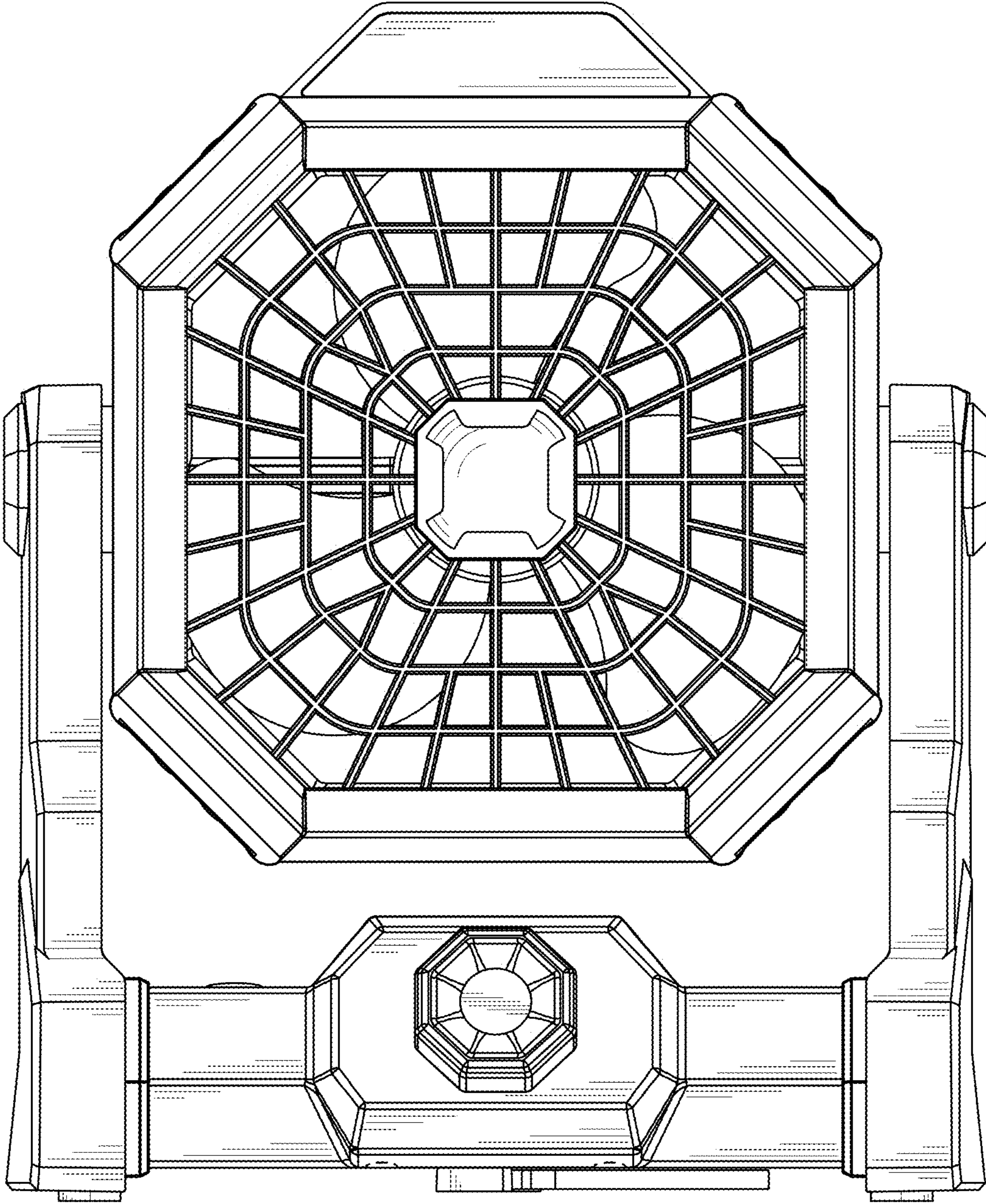


FIG. 3

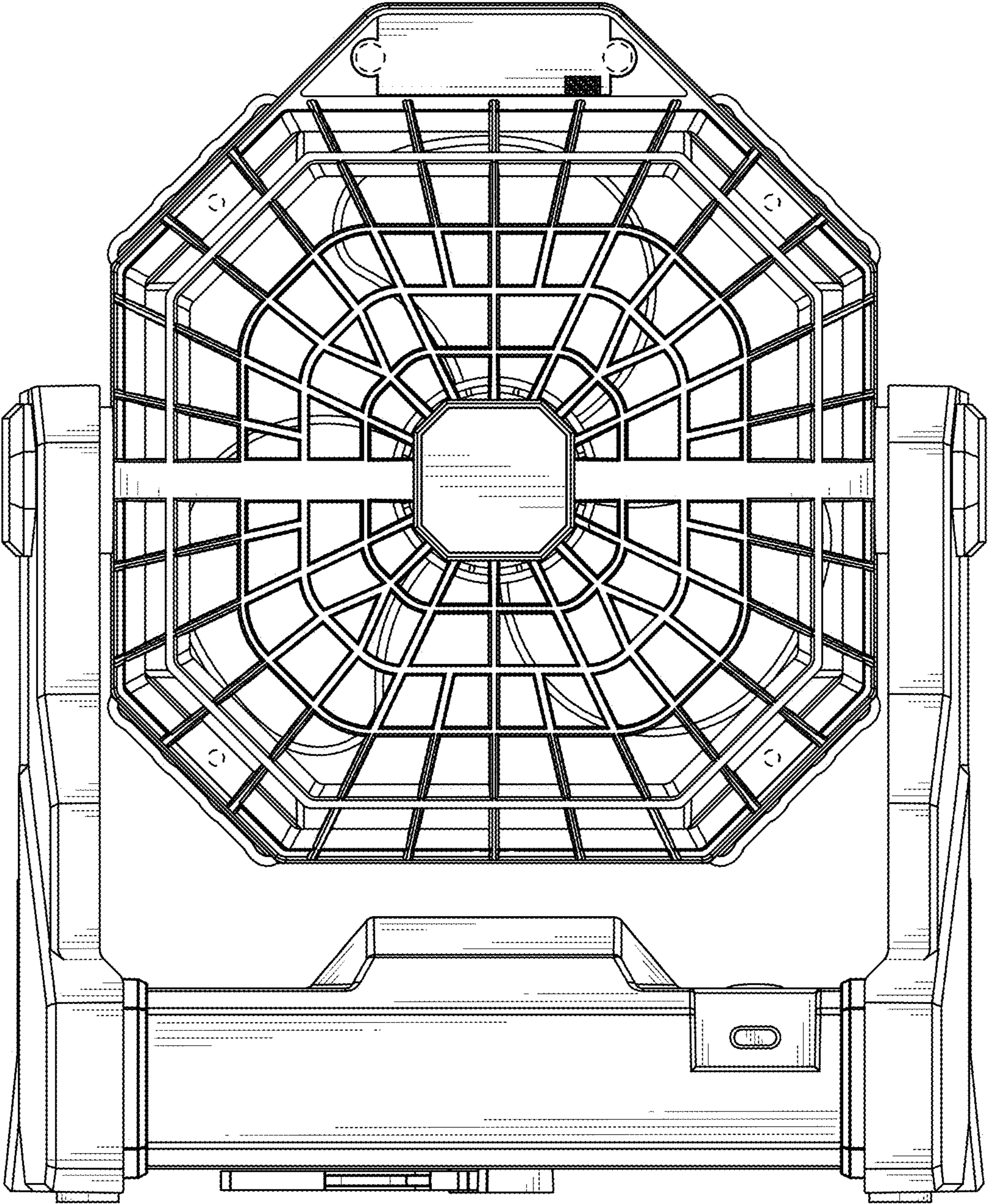


FIG. 4

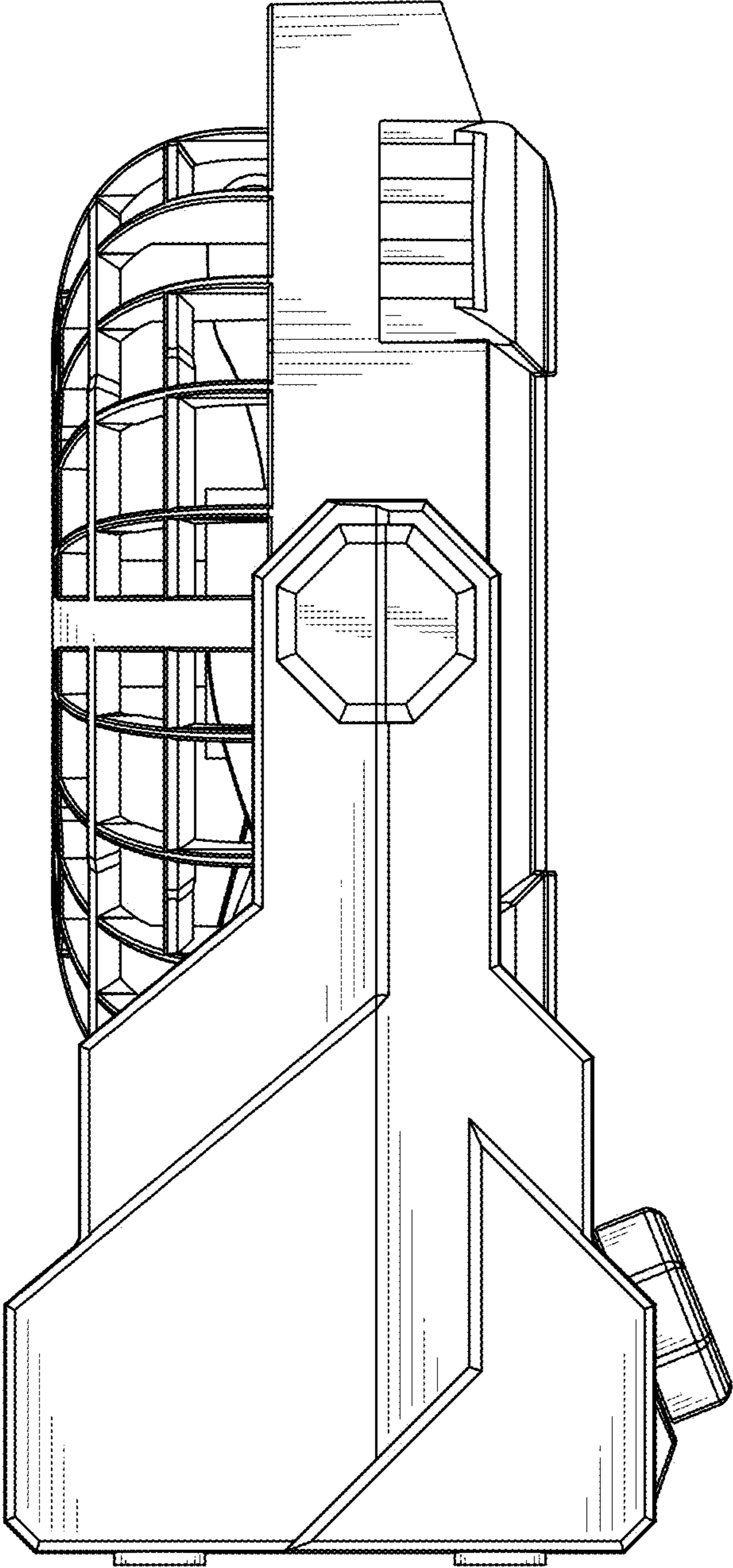


FIG. 5

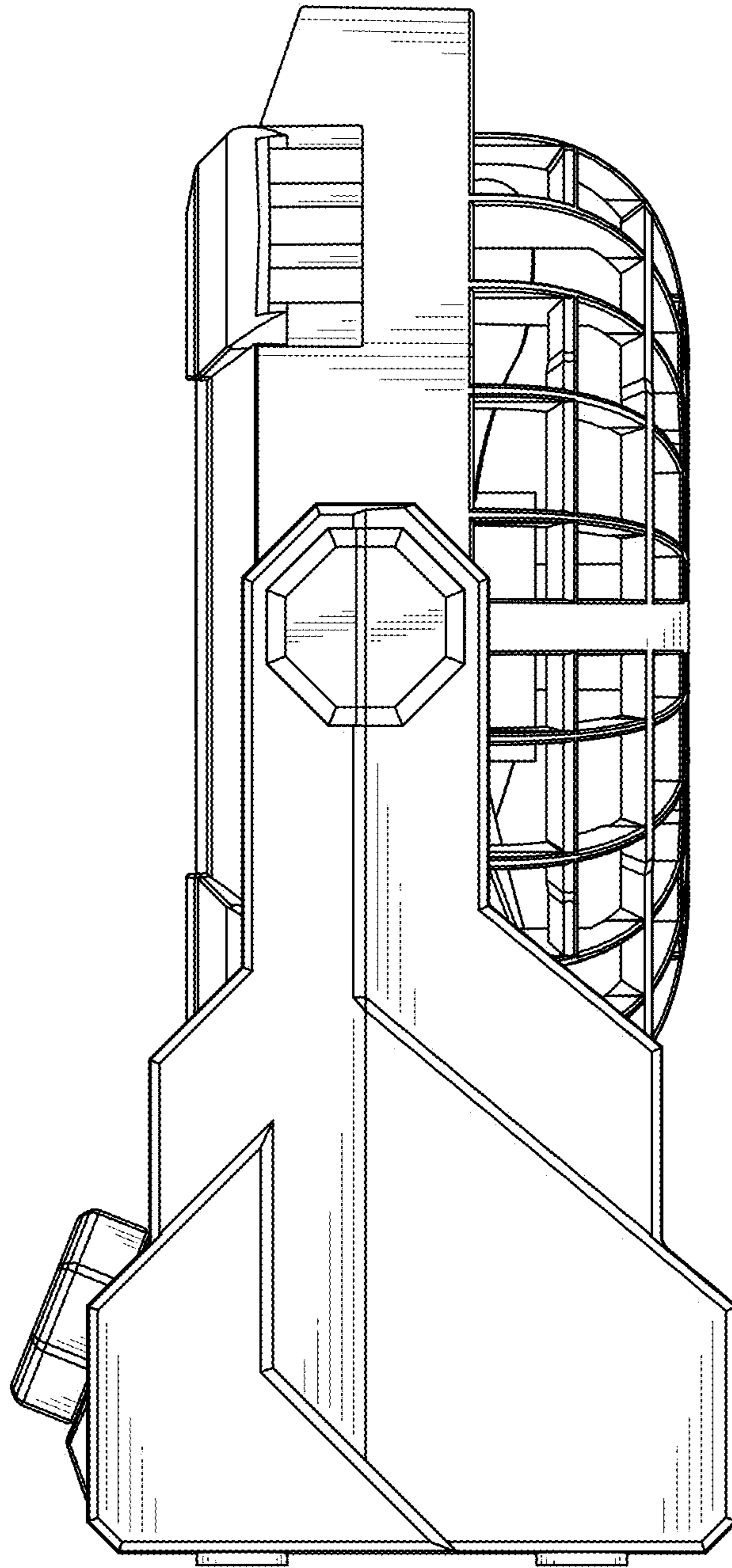


FIG. 6

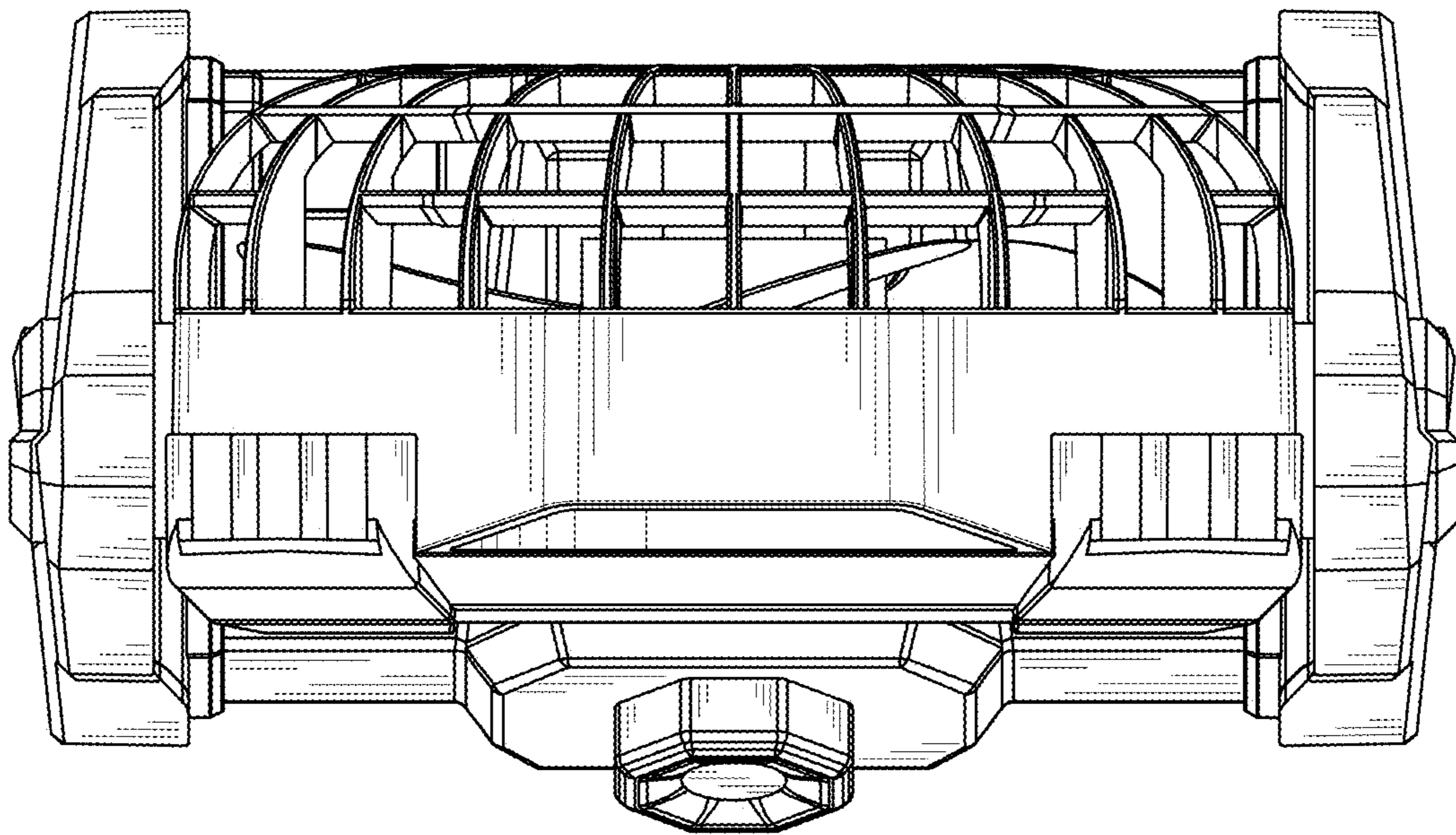


FIG. 7

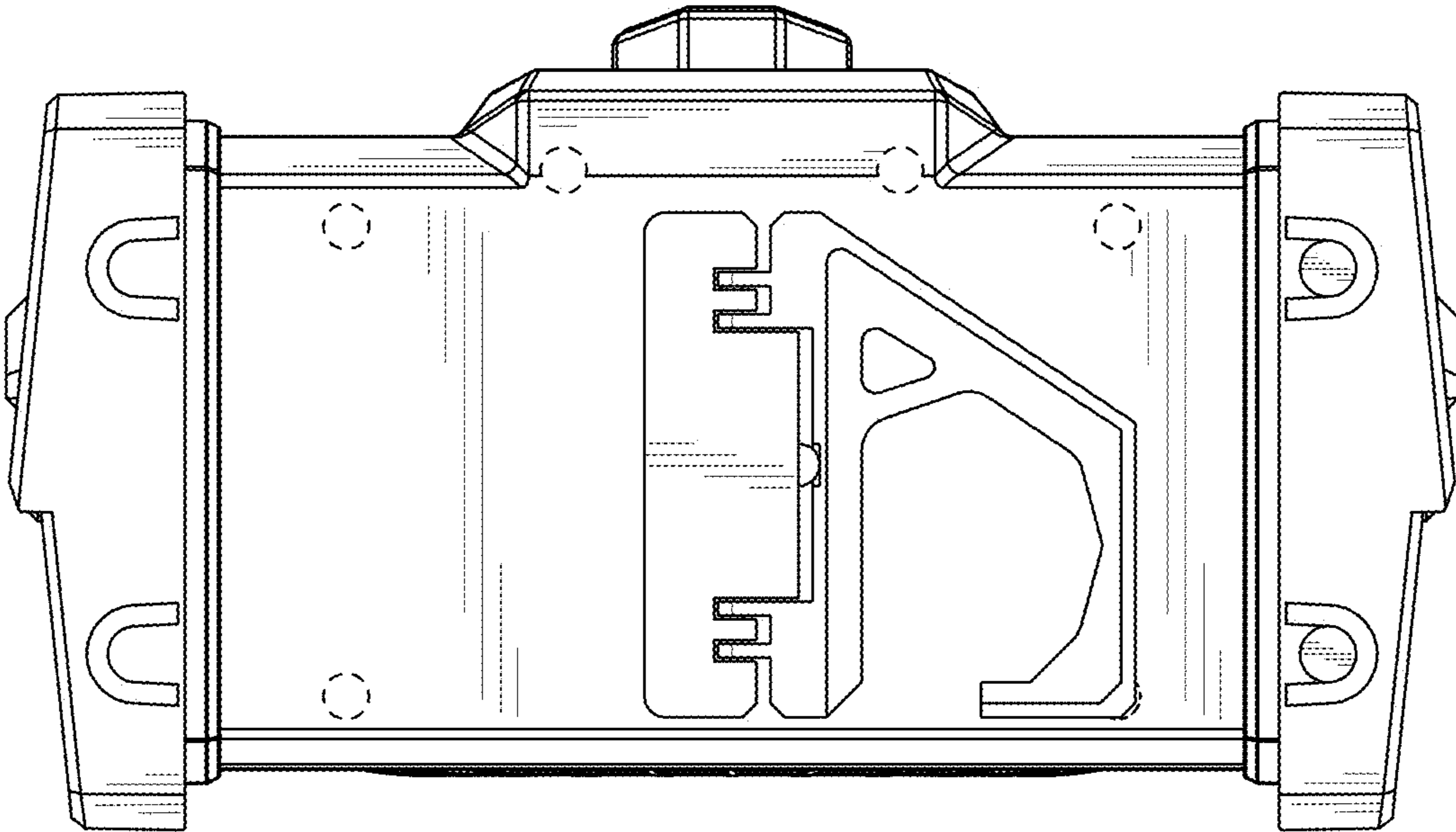


FIG. 8