



US00D974535S

(12) **United States Design Patent**  
**Liang**

(10) **Patent No.:** **US D974,535 S**

(45) **Date of Patent:** **\*\* Jan. 3, 2023**

(54) **KITCHEN SINK DRAIN STRAINER**

(71) Applicant: **Jian Liang**, Guangxi (CN)

(72) Inventor: **Jian Liang**, Guangxi (CN)

(\*\*) Term: **15 Years**

(21) Appl. No.: **29/807,629**

(22) Filed: **Sep. 13, 2021**

(51) **LOC (14) Cl.** ..... **23-01**

(52) **U.S. Cl.**  
USPC ..... **D23/261**

(58) **Field of Classification Search**  
USPC ..... D23/208–209, 259–261; D7/667;  
4/290–295, 222.1, 286, 300.3, 583, 652  
See application file for complete search history.

(56) **References Cited**

**U.S. PATENT DOCUMENTS**

1,342,287	A *	6/1920	Hickey	.....	E03C 1/12 4/286
2,288,767	A *	7/1942	Young	.....	E03C 1/23 403/143
2,739,317	A *	3/1956	Abresch	.....	E03C 1/264 285/354
2,763,012	A *	9/1956	Duncan	.....	E03C 1/262 251/72
D553,225	S *	10/2007	Wolf	.....	D23/261
D677,764	S *	3/2013	Laera	.....	D23/260
D728,077	S *	4/2015	Luo	.....	D23/260
D728,078	S *	4/2015	Scott	.....	D23/261
D777,887	S *	1/2017	Johansen	.....	D23/261
D855,782	S *	8/2019	Karnegie	.....	D23/261
D919,771	S *	5/2021	Luo	.....	D23/261
D919,773	S *	5/2021	Luo	.....	D23/261
2008/0282466	A1 *	11/2008	Swan	.....	E03C 1/262 4/679
2010/0024108	A1 *	2/2010	Yang	.....	E03C 1/23 4/295

2010/0205734	A1 *	8/2010	Peterson	.....	E03C 1/262 4/287
2014/0053327	A1 *	2/2014	Lee	.....	E03C 1/262 4/287
2014/0075662	A1 *	3/2014	Gayoso	.....	E03C 1/2306 4/292
2021/0395986	A1 *	12/2021	Ahuja	.....	E03C 1/262

**FOREIGN PATENT DOCUMENTS**

CN	305517060	*	12/2019
CN	307073759	*	1/2022
EM	008635809-0001	*	7/2021

\* cited by examiner

*Primary Examiner* — Amy C Wierenga

(74) *Attorney, Agent, or Firm* — True Shepherd, LLC;  
Andrew Cheng

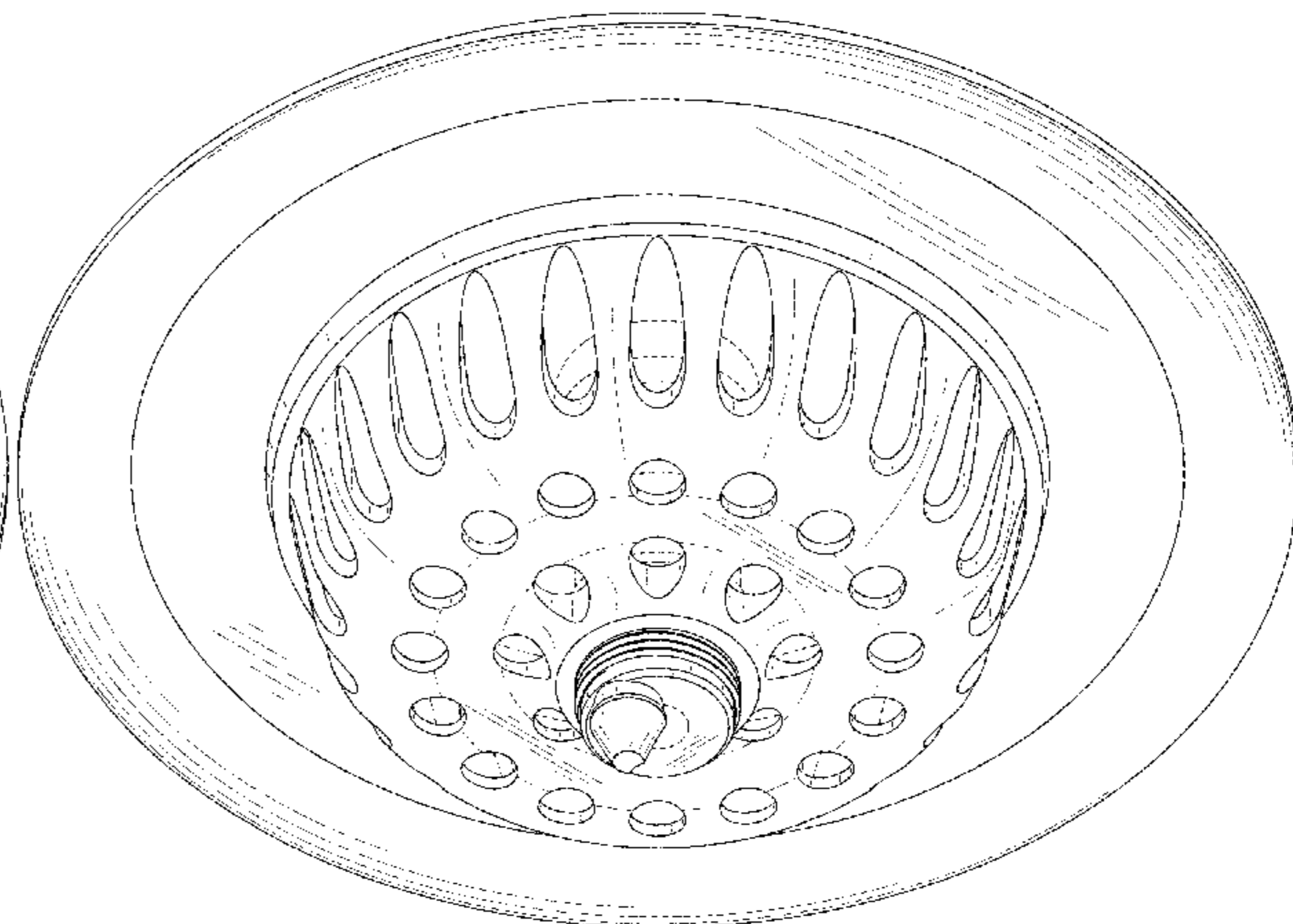
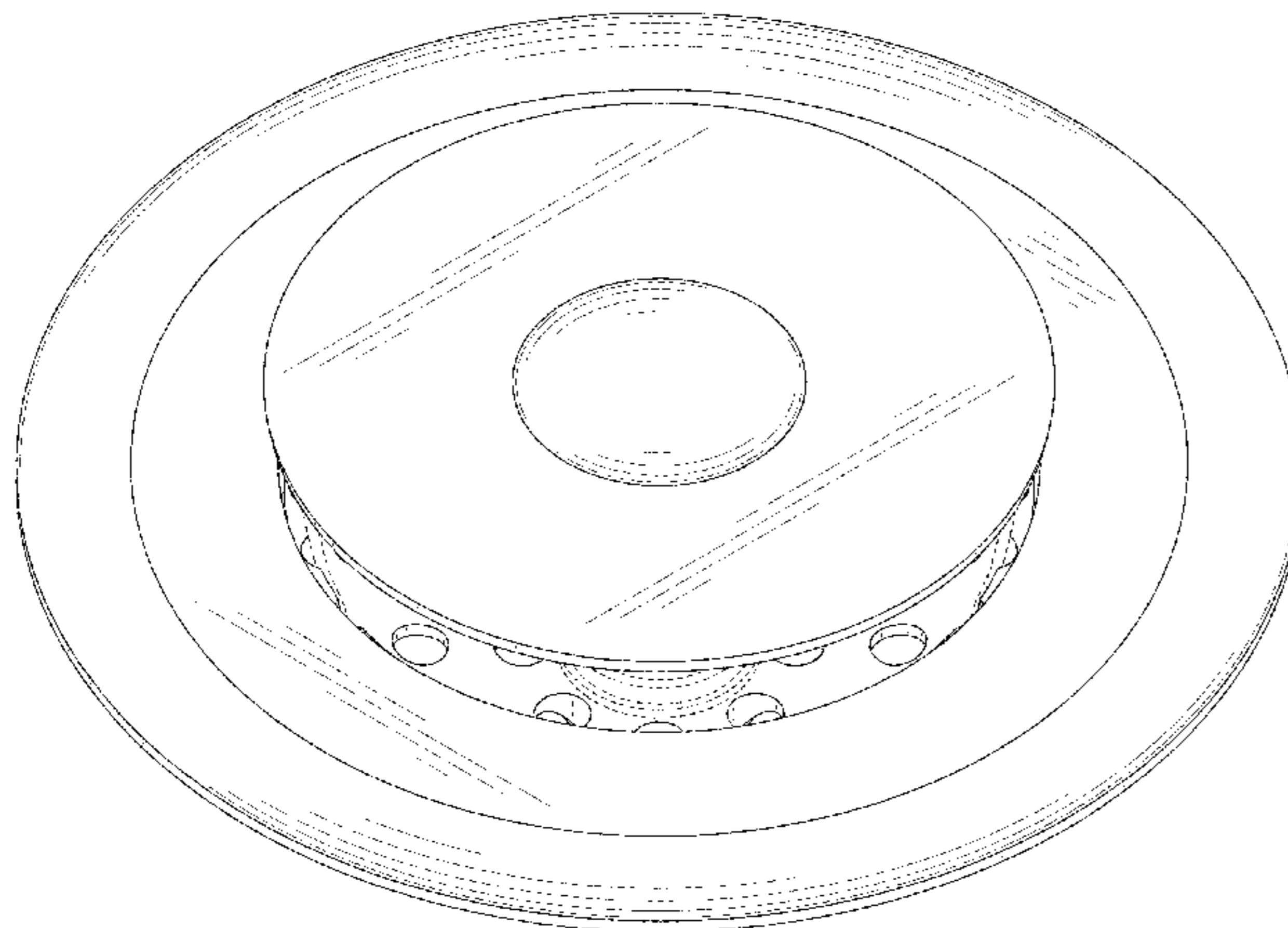
(57) **CLAIM**

The ornamental design for a kitchen sink drain strainer, as shown and described.

**DESCRIPTION**

FIG. 1 is a front, right, and top perspective view of a kitchen sink drain strainer, showing my design. FIG. 2 is a rear, left, and bottom perspective view thereof. FIG. 3 is a front elevation view thereof. FIG. 4 is a rear elevation view thereof. FIG. 5 is a left side elevation view thereof. FIG. 6 is a right side elevation view thereof. FIG. 7 is a top plan view thereof; and, FIG. 8 is a bottom plan view thereof. The broken lines shown in the drawings are included for environmental structures that form no part of the claimed design.

**1 Claim, 8 Drawing Sheets**



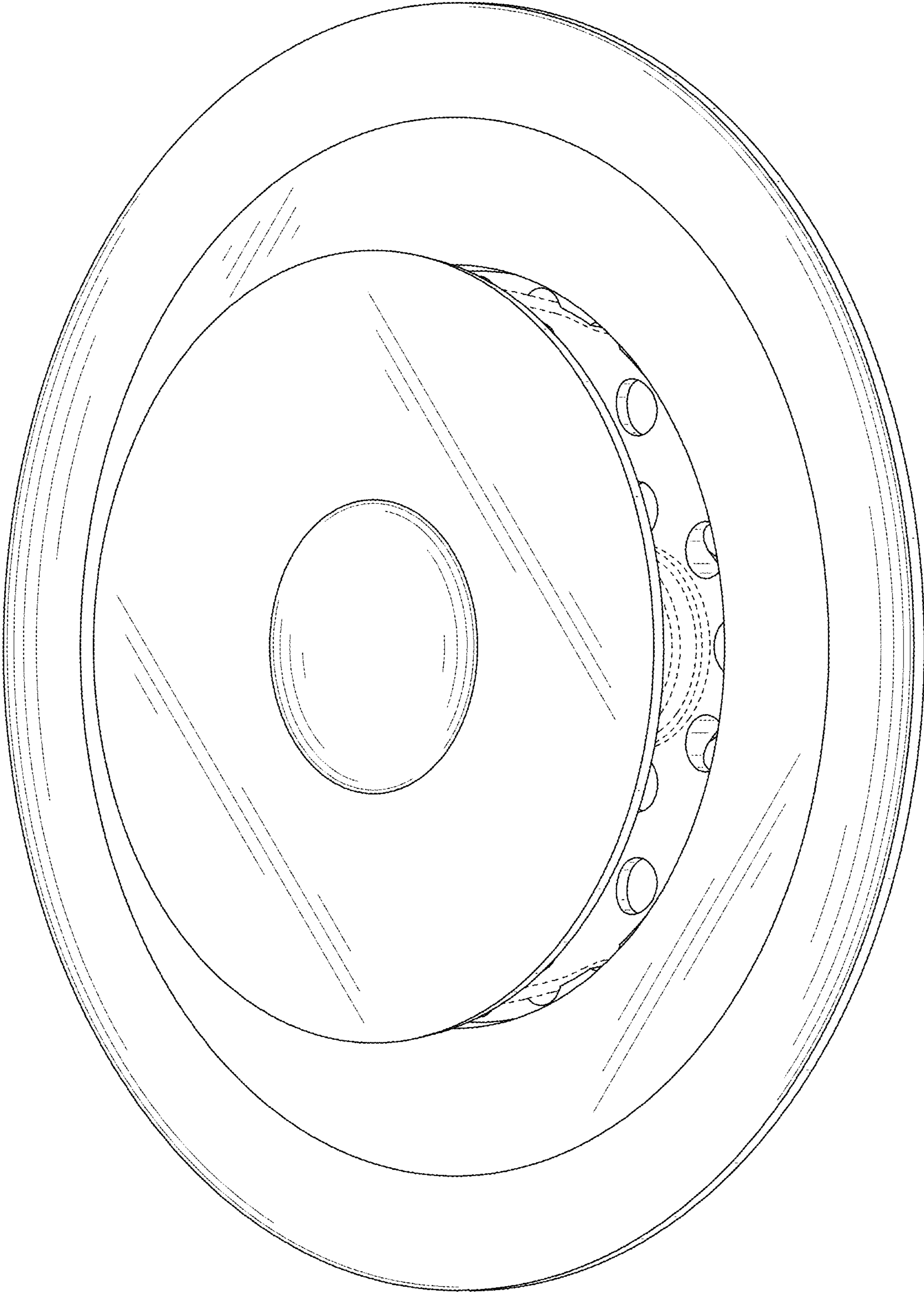


FIG. 1



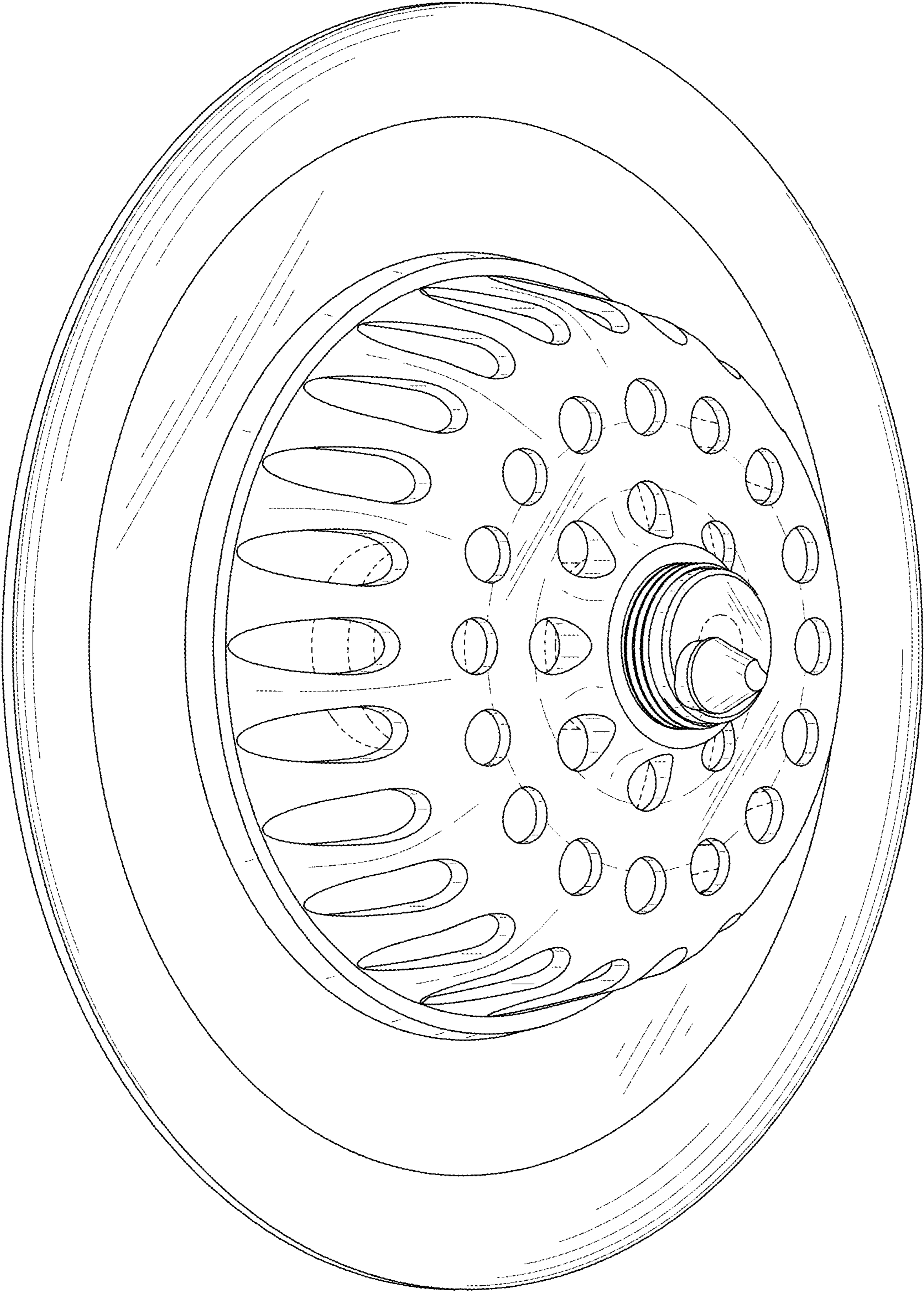


FIG. 2

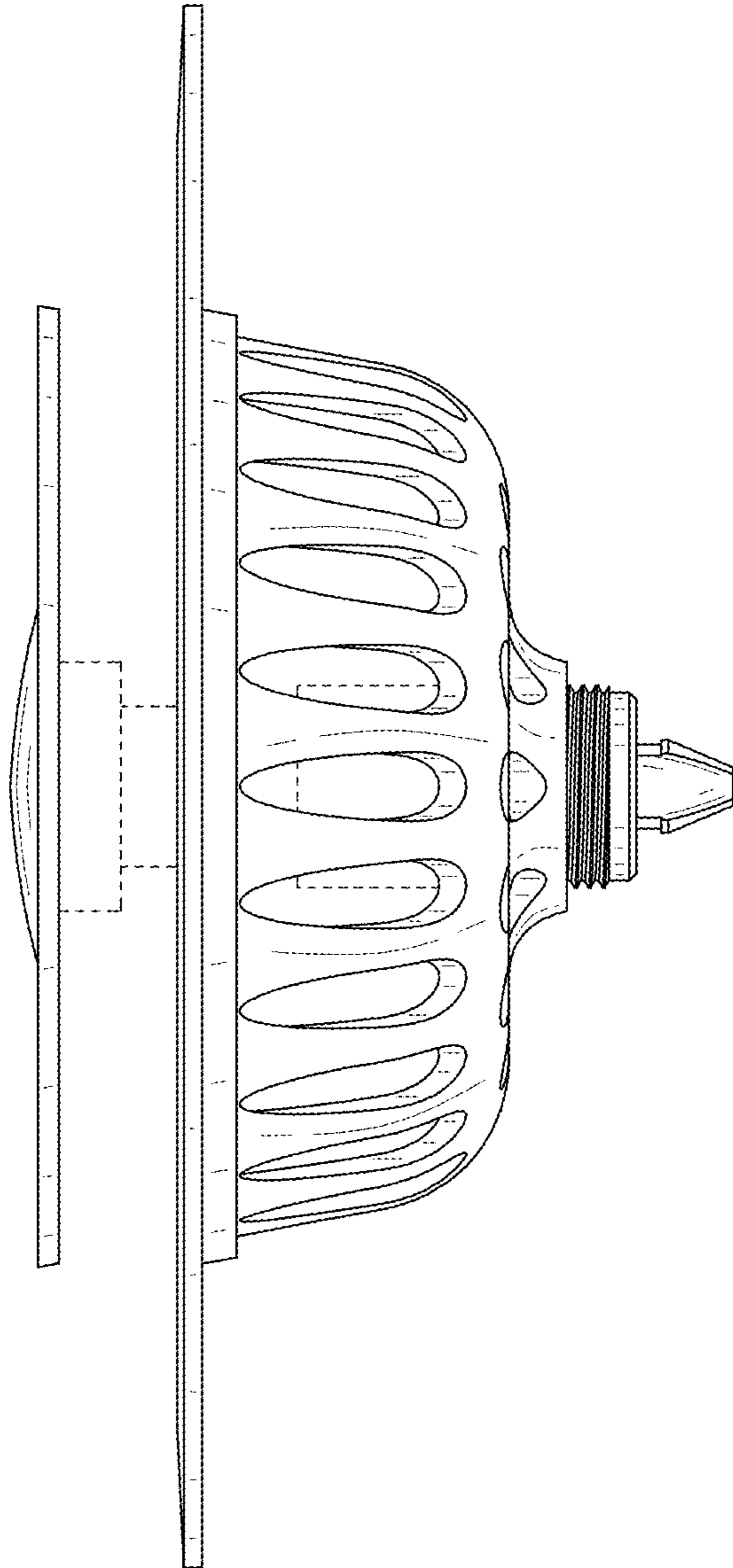


FIG. 3

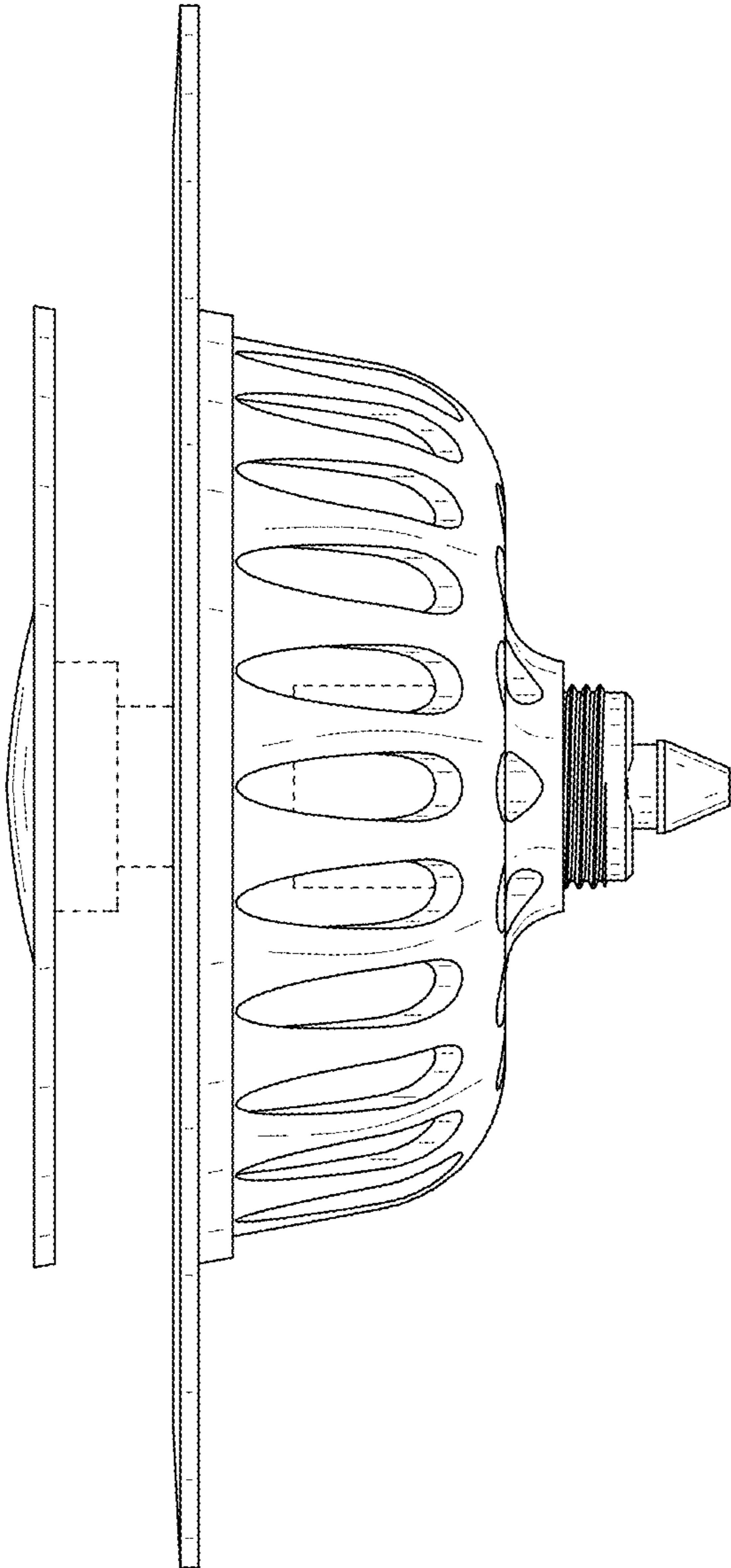


FIG. 4

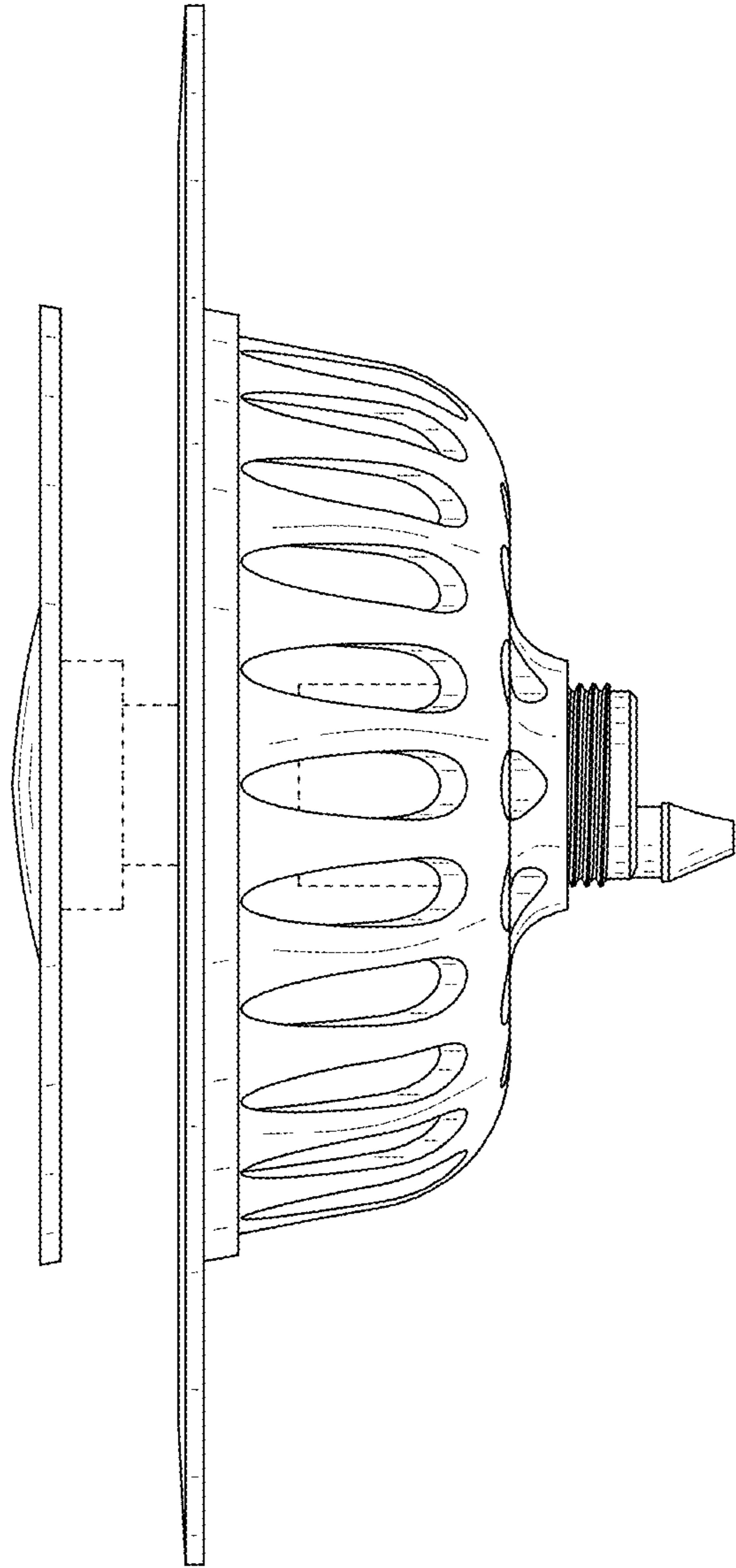


FIG. 5

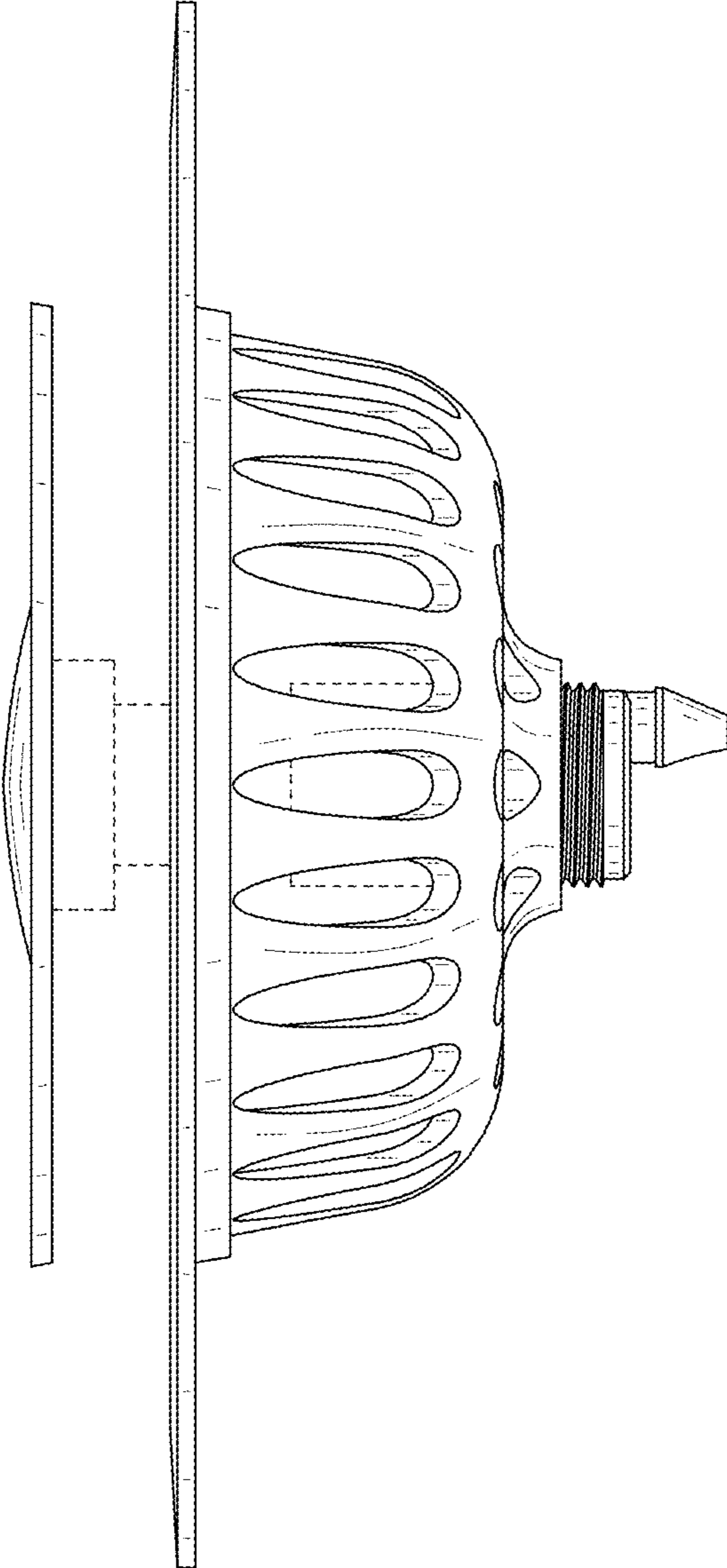


FIG. 6

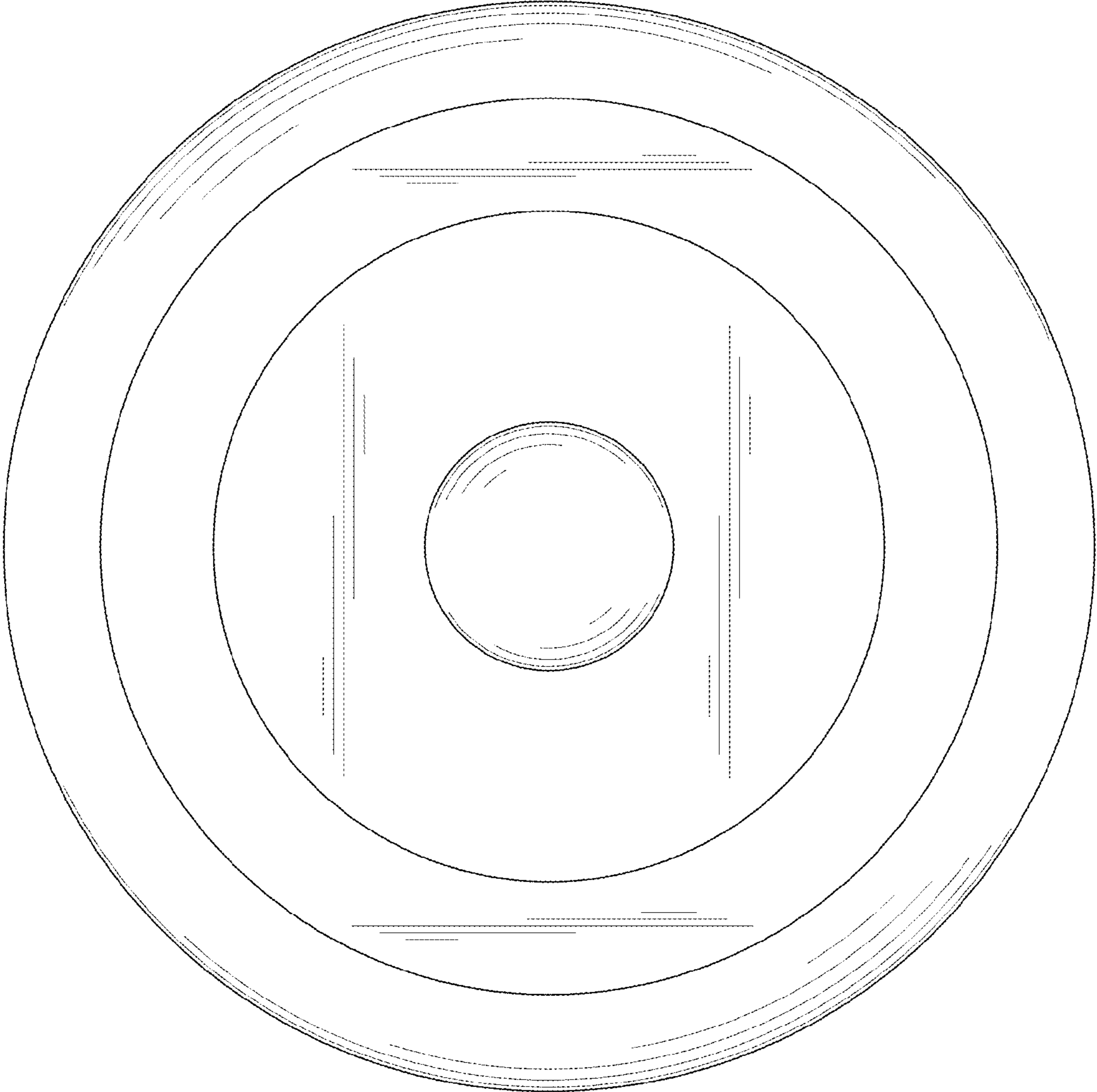


FIG. 7



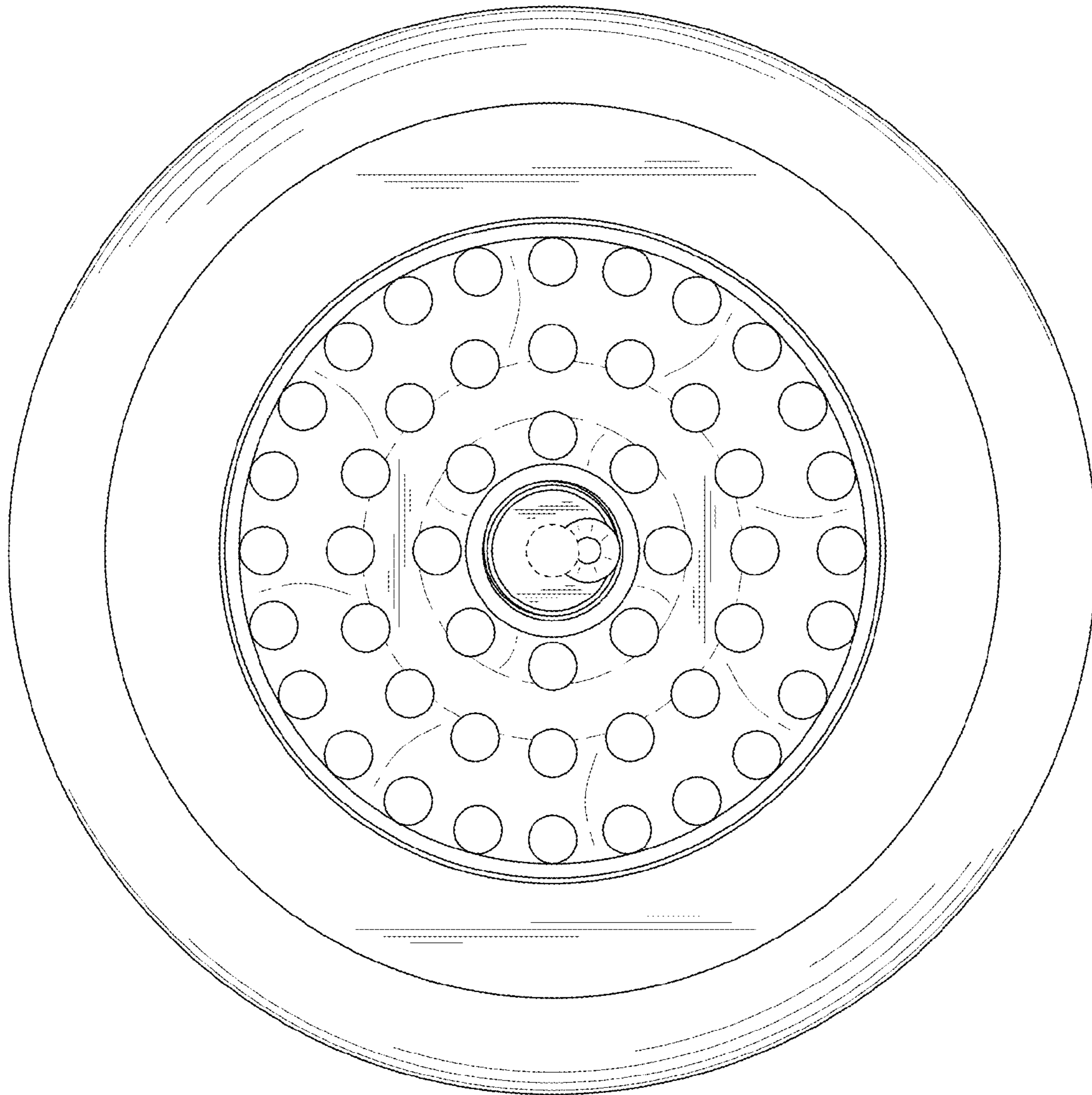


FIG. 8