



US00D974534S

(12) **United States Design Patent**
Chen

(10) **Patent No.:** **US D974,534 S**
(45) **Date of Patent:** **** Jan. 3, 2023**

- (54) **EXTENSION SHOWER ARM**
- (71) Applicant: **Guangdong Heshan Shanshui Sanitary Ware Co., Ltd., Jiangmen (CN)**
- (72) Inventor: **Yuanguang Chen, Jiangmen (CN)**
- (73) Assignee: **Guangdong Heshan Shanshui Sanitary Ware Co., Ltd., Jiangmen (CN)**

D619,220 S * 7/2010 Semchuck D23/238
 7,866,576 B1 * 1/2011 Farley E03C 1/0409
 239/587.5
 8,024,822 B2 * 9/2011 Macan E03C 1/0408
 4/615

(Continued)

FOREIGN PATENT DOCUMENTS

CN 306871425 * 10/2021
 CN 307388674 * 6/2022

OTHER PUBLICATIONS

10" High Pressure Rainfall Shower Head with Handheld Combo, announced Jan. 13, 2022[online], [site visited Oct. 28, 2022]. Available from internet, URL:< <https://www.amazon.com/dp/B09QC73QGR> > (Year: 2022).*

(Continued)

Primary Examiner — David G Muller
Assistant Examiner — Jamaal Rasheed
 (74) *Attorney, Agent, or Firm* — Nitin Kaushik

(57) **CLAIM**

The ornamental design for an extension shower arm, as shown and described.

DESCRIPTION

FIG. 1 is a front perspective view of an extension shower arm, showing my new design;
 FIG. 2 is a rear perspective view thereof;
 FIG. 3 shows the invention in a state of use;
 FIG. 4 is a front view of FIG. 1;
 FIG. 5 is a rear view of FIG. 1;
 FIG. 6 is a left side view of FIG. 1;
 FIG. 7 is a right side view of FIG. 1;
 FIG. 8 is a top view of FIG. 1; and,
 FIG. 9 is a bottom view of FIG. 1.
 The broken lines in the drawings show environmental portions of the extension shower arm and form no part of the claimed design.

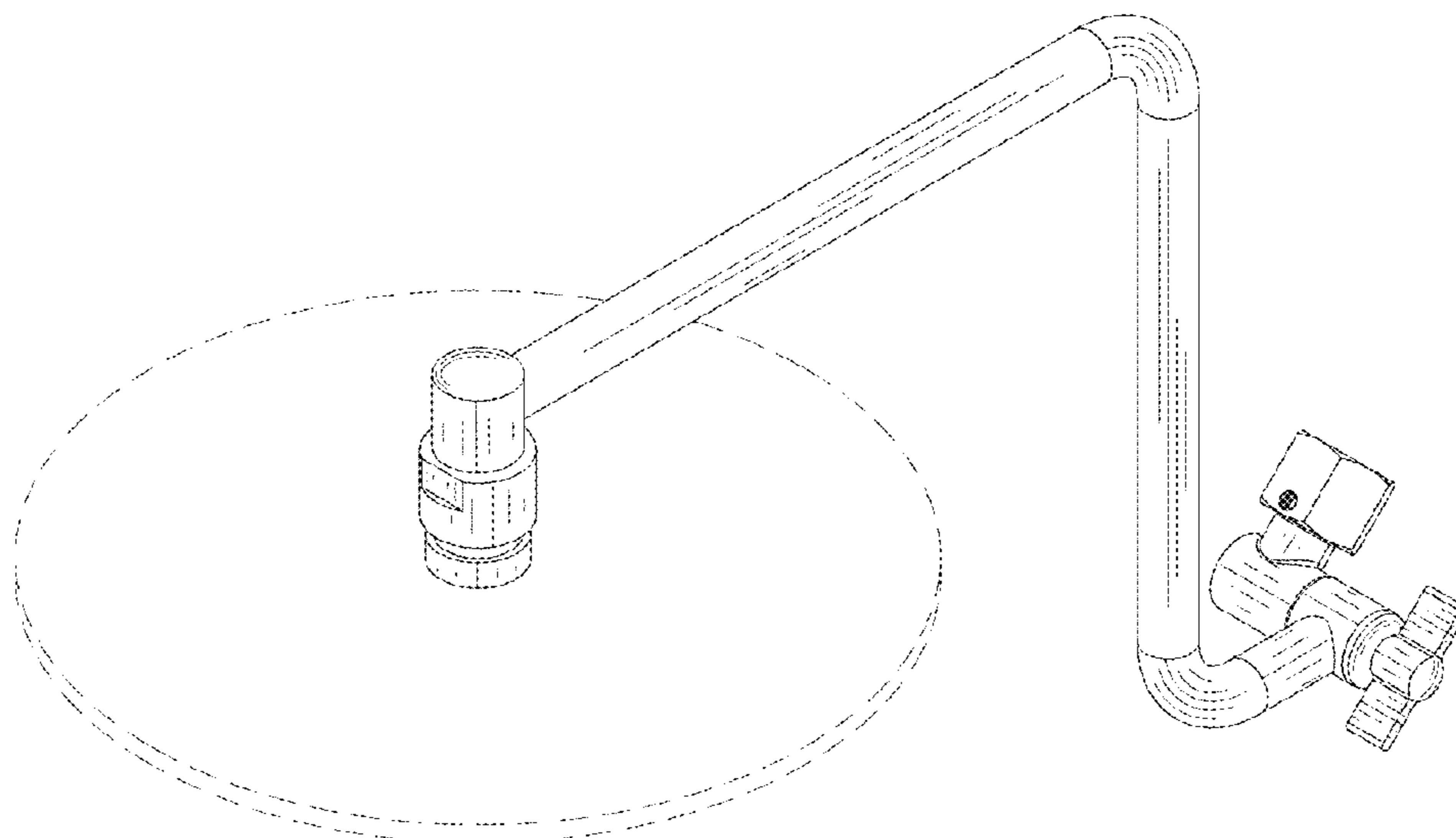
1 Claim, 9 Drawing Sheets

- (**) Term: **15 Years**
- (21) Appl. No.: **29/852,223**
- (22) Filed: **Sep. 5, 2022**
- (51) **LOC (14) Cl.** **23-01**
- (52) **U.S. Cl.**
USPC **D23/255; D23/249; D23/264**
- (58) **Field of Classification Search**
USPC D23/213, 220, 222, 249, 255, 262, 263, D23/266
CPC B05B 15/08; B05B 15/14; A47K 10/40; A61B 6/00
See application file for complete search history.

(56) **References Cited**

U.S. PATENT DOCUMENTS

D347,262 S * 5/1994 Black D23/230
 5,342,137 A * 8/1994 Peng F21V 21/26
 362/427
 5,379,205 A * 1/1995 Peng F21V 21/26
 362/427
 D421,106 S * 2/2000 French D23/304
 D437,072 S * 1/2001 Newhouse D26/63
 D494,262 S * 8/2004 Lin D23/304
 7,097,122 B1 * 8/2006 Farley E03C 1/0409
 239/587.5
 D543,839 S * 6/2007 Cooper D8/376
 D556,373 S * 11/2007 Sussman D26/145



(56)

References Cited

U.S. PATENT DOCUMENTS

8,070,076 B2 * 12/2011 Erickson E03C 1/0404
239/587.5
8,621,681 B2 * 1/2014 Macan E03C 1/066
4/615
D738,991 S * 9/2015 Brodey D23/213
D752,708 S * 3/2016 Chung D23/213
D925,708 S 7/2021 Liu
D926,287 S * 7/2021 Cocks D23/213
D926,925 S * 8/2021 Cocks D23/213
D960,302 S * 8/2022 Cocks D23/213
D963,812 S * 9/2022 Cherry D23/262
D967,341 S * 10/2022 Yan D23/249
2005/0024882 A1 * 2/2005 Sherman H01H 1/5822
362/419
2005/0283904 A1 * 12/2005 Macan E03C 1/0408
4/615
2007/0153459 A1 * 7/2007 Wohlford F16M 13/02
361/679.22
2009/0177438 A1 * 7/2009 Raab G01S 17/66
33/503

2010/0176328 A1 * 7/2010 Erickson E03C 1/042
251/366
2010/0181440 A1 * 7/2010 Larsen H05K 7/1491
248/68.1
2011/0051437 A1 * 3/2011 Ng F21S 6/003
362/418
2011/0108689 A1 * 5/2011 Dorris F16M 11/041
248/220.21
2014/0015246 A1 * 1/2014 Erickson F16L 27/08
285/184
2019/0145473 A1 * 5/2019 Puterbaugh F16M 11/10
188/218 R
2019/0200944 A1 * 7/2019 Ahearn A61B 6/4411
2021/0307568 A1 * 10/2021 Steinke A47K 10/40

OTHER PUBLICATIONS

10" Rainfall Shower Head with Handheld Combo, announced Jan. 29, 2022[online], [site visited Oct. 31, 2022]. Available from internet, URL:< <https://www.amazon.com/dp/B09Z61LP1R>> (Year: 2022).*

* cited by examiner

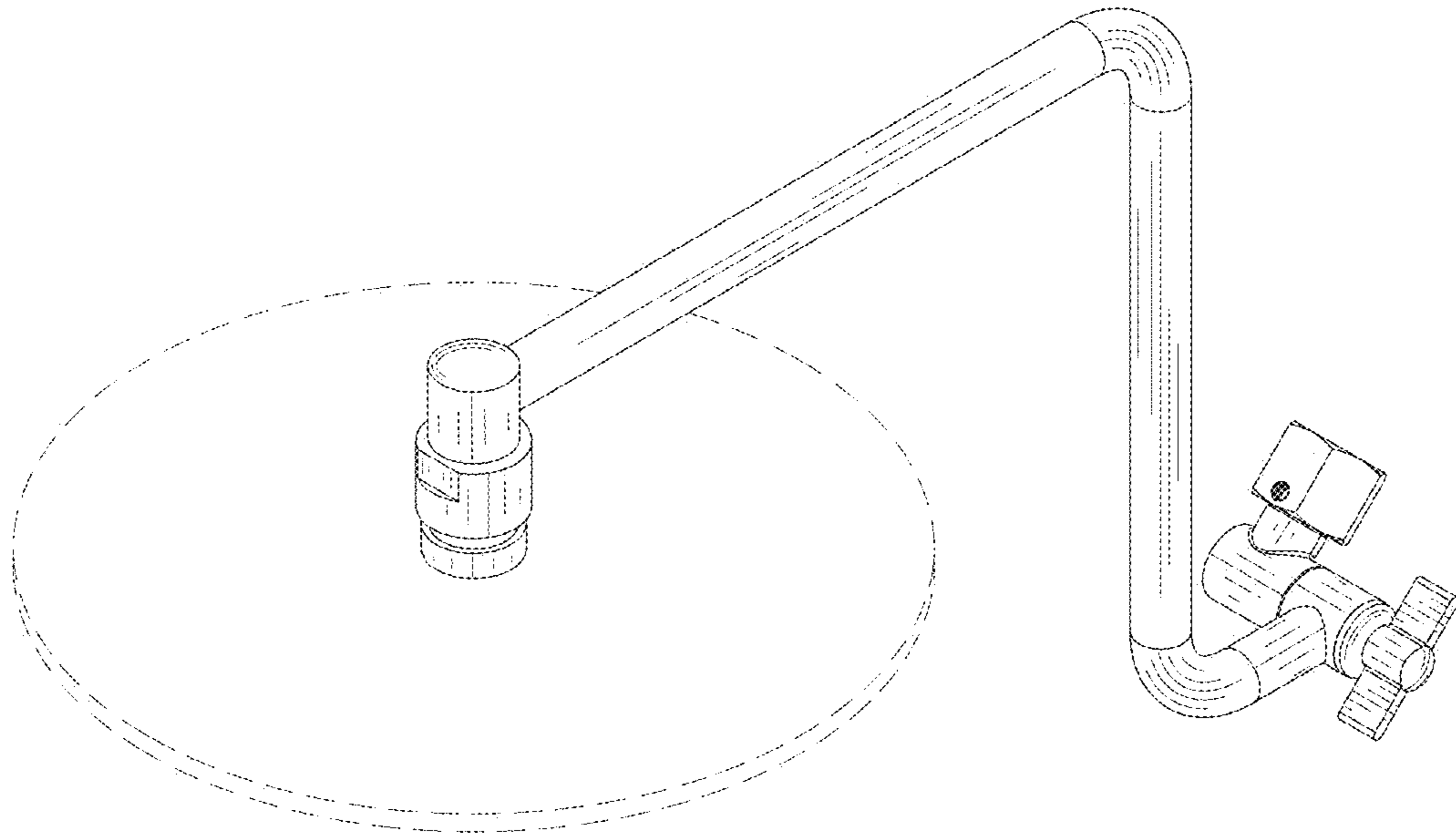


FIG. 1

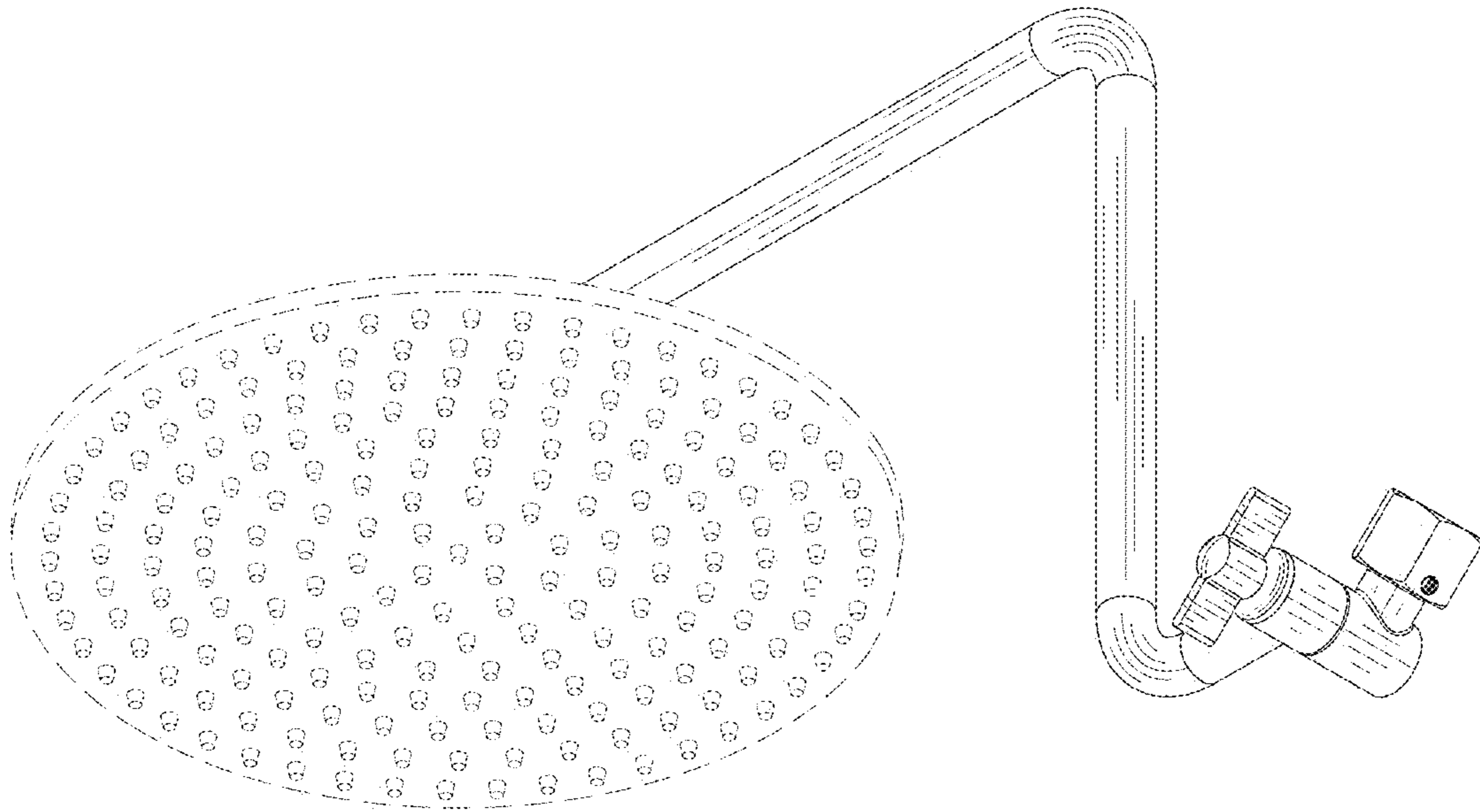


FIG. 2

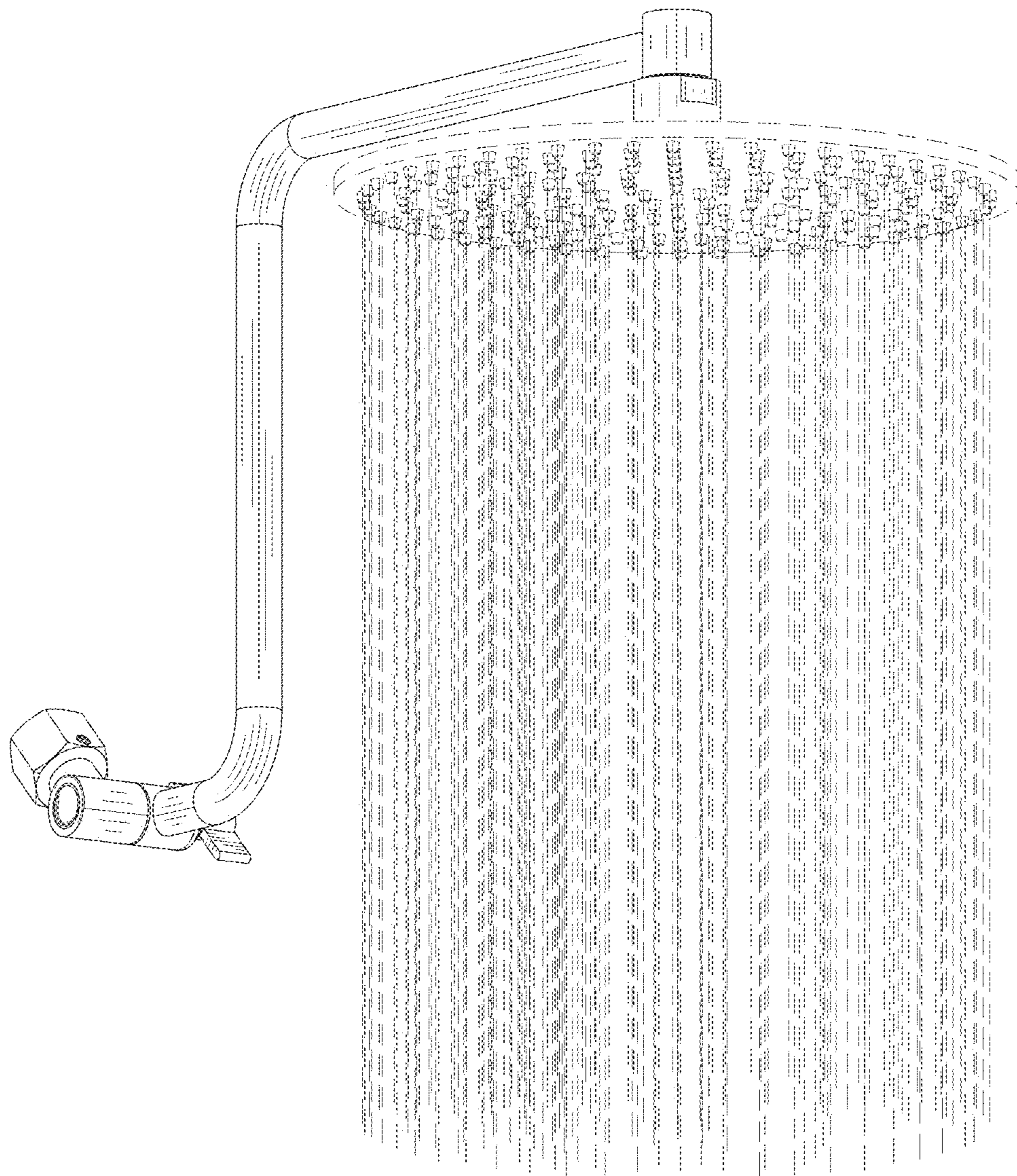


FIG. 3

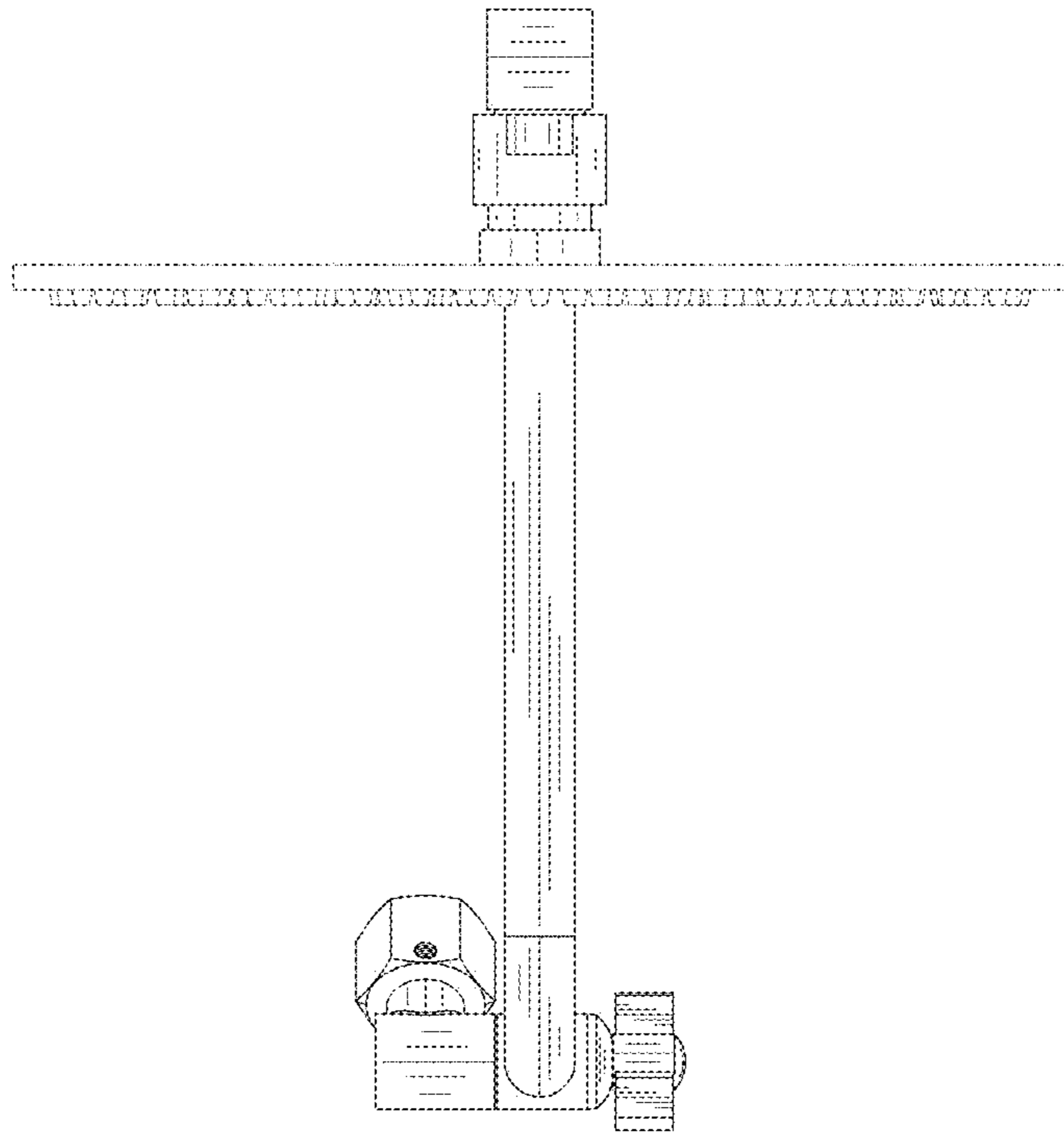


FIG. 4

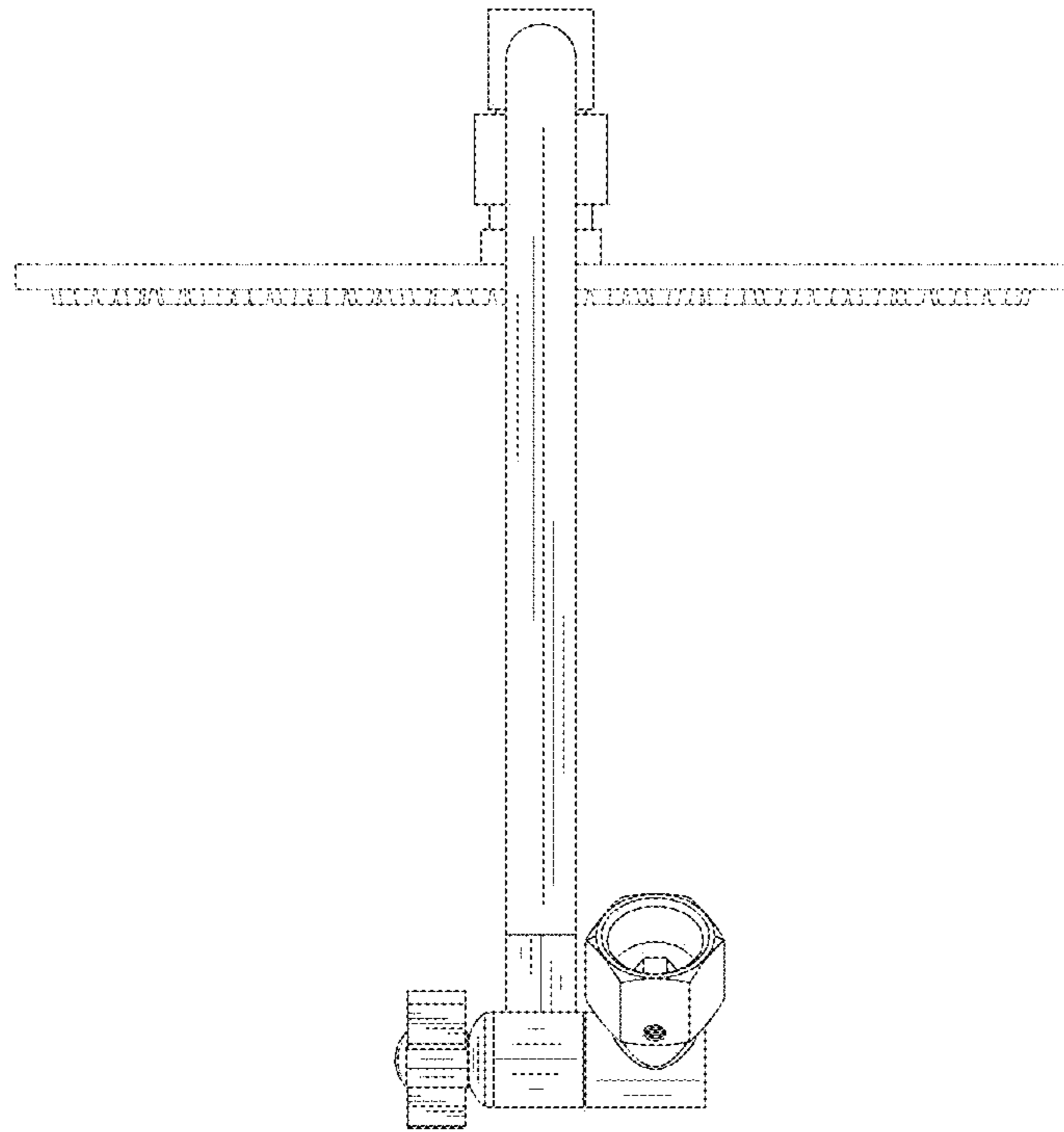


FIG. 5

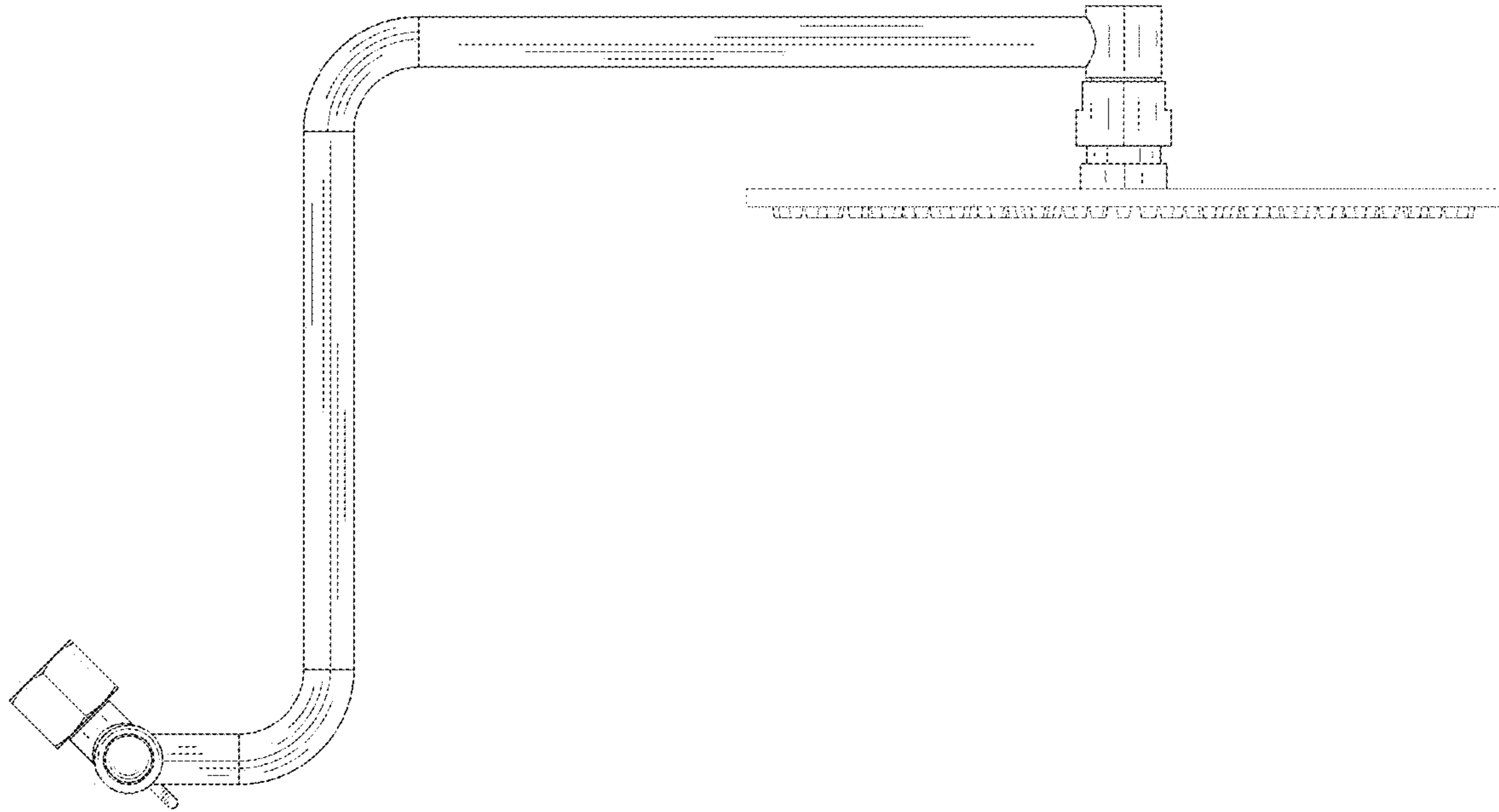


FIG. 6

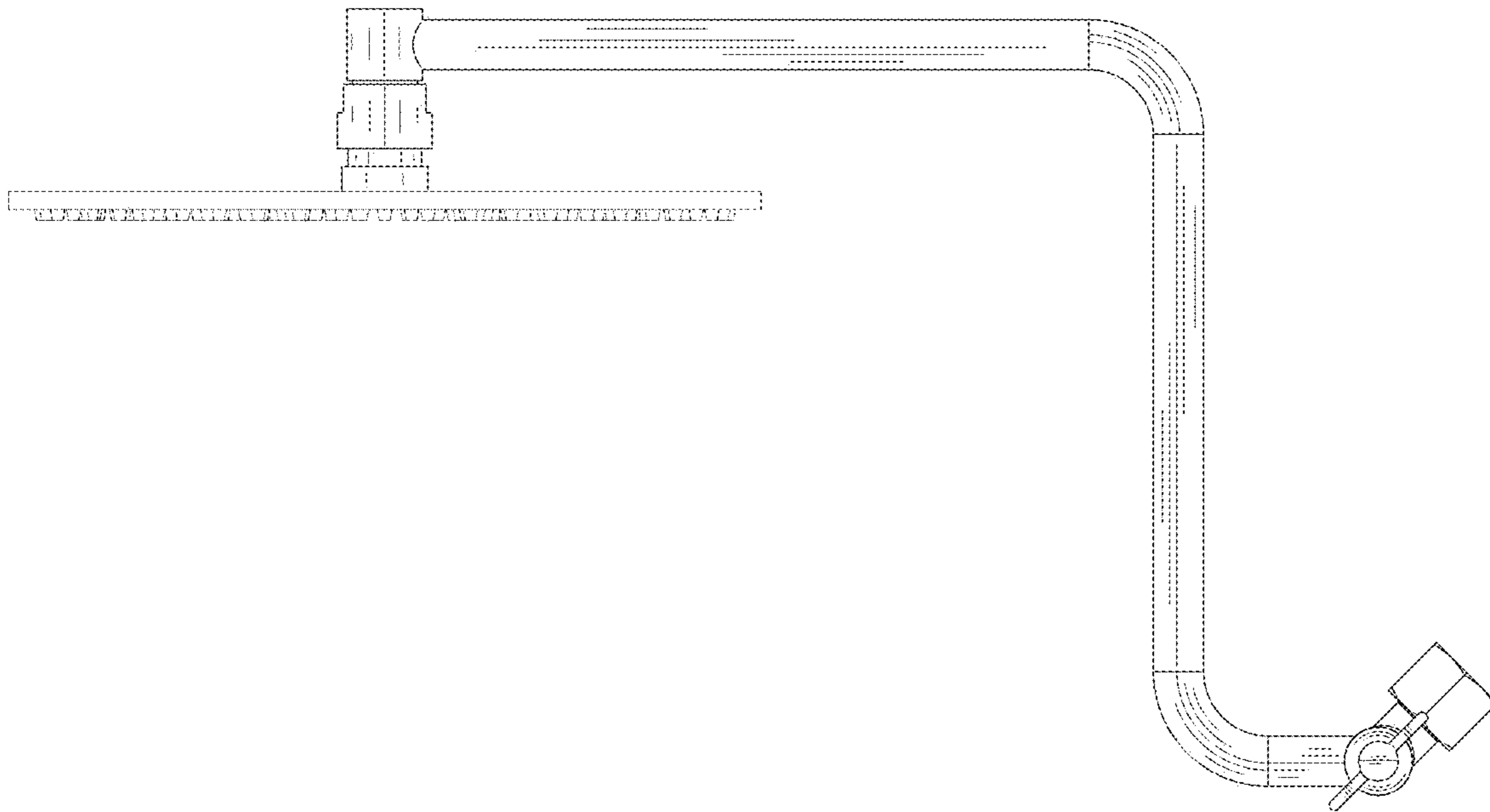


FIG. 7

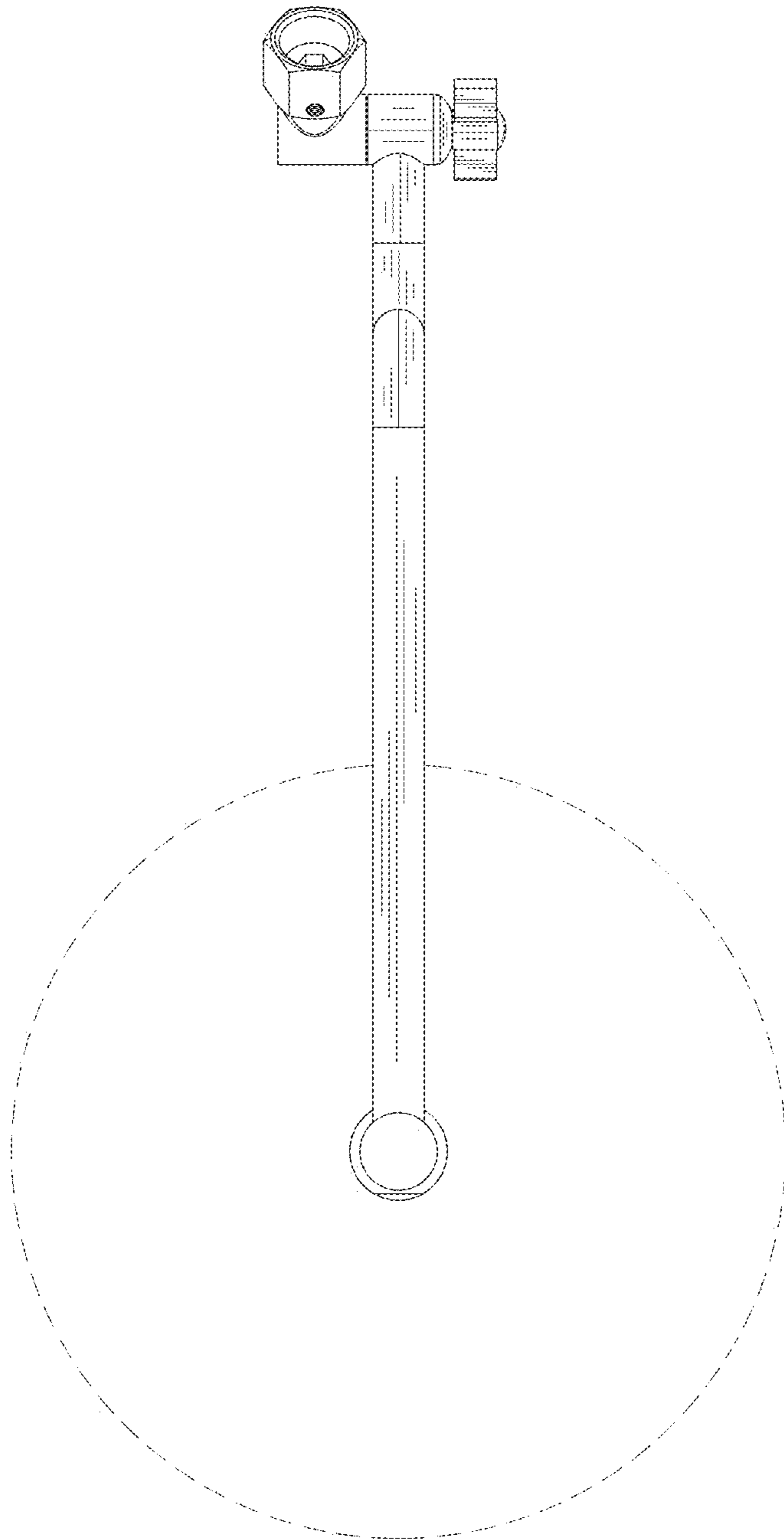


FIG. 8

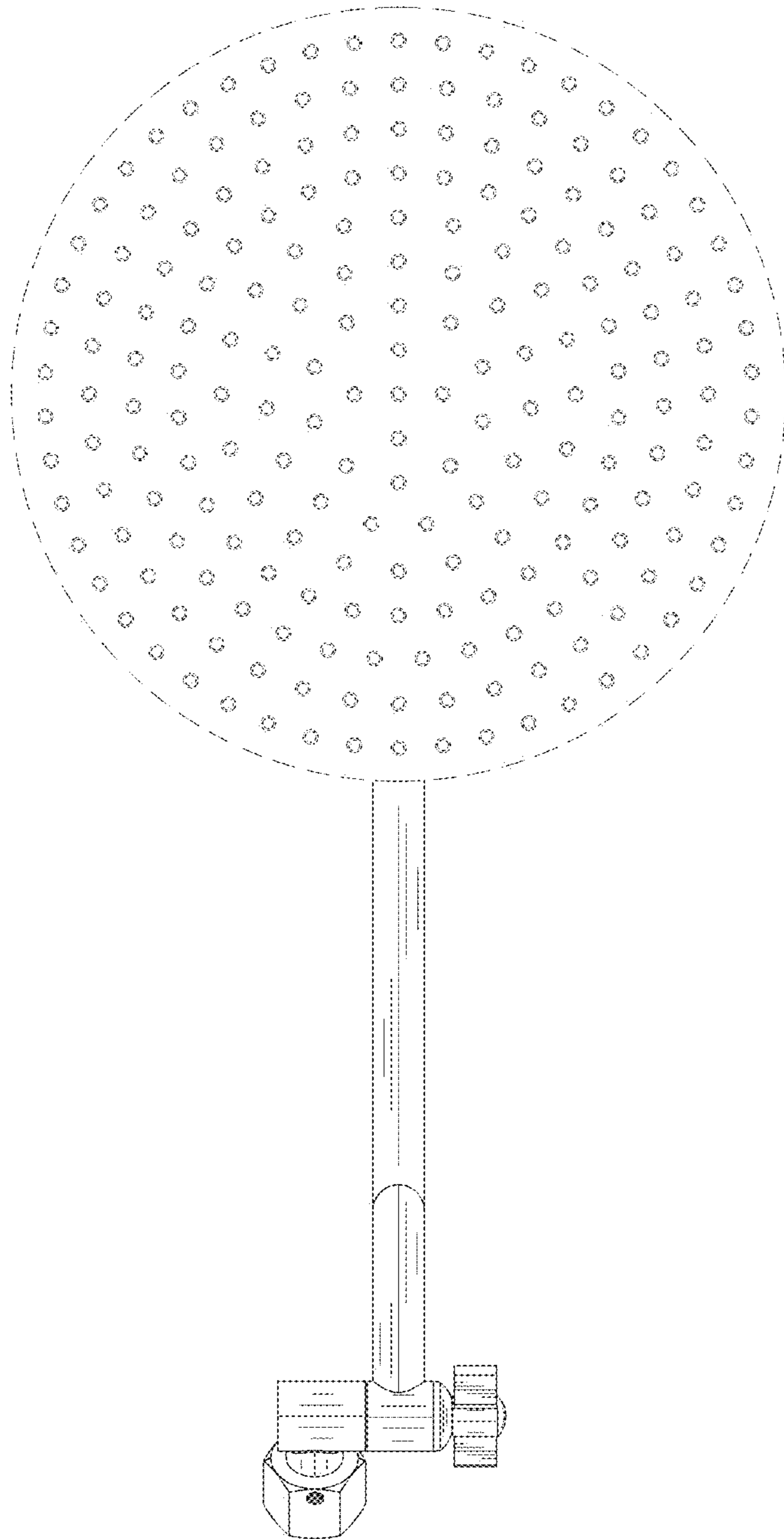


FIG. 9