

US00D974533S

(12) **United States Design Patent** (10) **Patent No.:** **US D974,533 S**
Su (45) **Date of Patent:** **** Jan. 3, 2023**

(54) **SHOWER CONTROLLER**

D918,204 S * 5/2021 Raken D14/388
D926,293 S * 7/2021 Gessi D23/254

(71) Applicant: **Kohler Co.**, Kohler, WI (US)

* cited by examiner

(72) Inventor: **Feiying Su**, Shanghai (CN)

Primary Examiner — Robert A Delehanty

(73) Assignee: **KOHLER CO.**, Kohler, WI (US)

(74) *Attorney, Agent, or Firm* — Foley & Lardner LLP

(**) Term: **15 Years**

(57) **CLAIM**

I claim the ornamental design for a shower controller, as shown and described.

(21) Appl. No.: **29/758,576**

DESCRIPTION

(22) Filed: **Nov. 17, 2020**

(51) **LOC (14) Cl.** **23-01**

(52) **U.S. Cl.**
USPC **D23/250; D8/310**

(58) **Field of Classification Search**
USPC D23/238–243, 249–250, 252;
D8/307–308, 300, 310; D7/393
See application file for complete search history.

FIG. 1 is a perspective view of an embodiment of a shower controller of the claimed design;
FIG. 2 is a front view of the claimed design shown in FIG. 1;
FIG. 3 is a top view of the claimed design shown in FIG. 1;
FIG. 4 is a bottom view of the claimed design shown in FIG. 1;
FIG. 5 is a side view of the claimed design shown in FIG. 1; and,
FIG. 6 is another side view of the claimed design shown in FIG. 1.

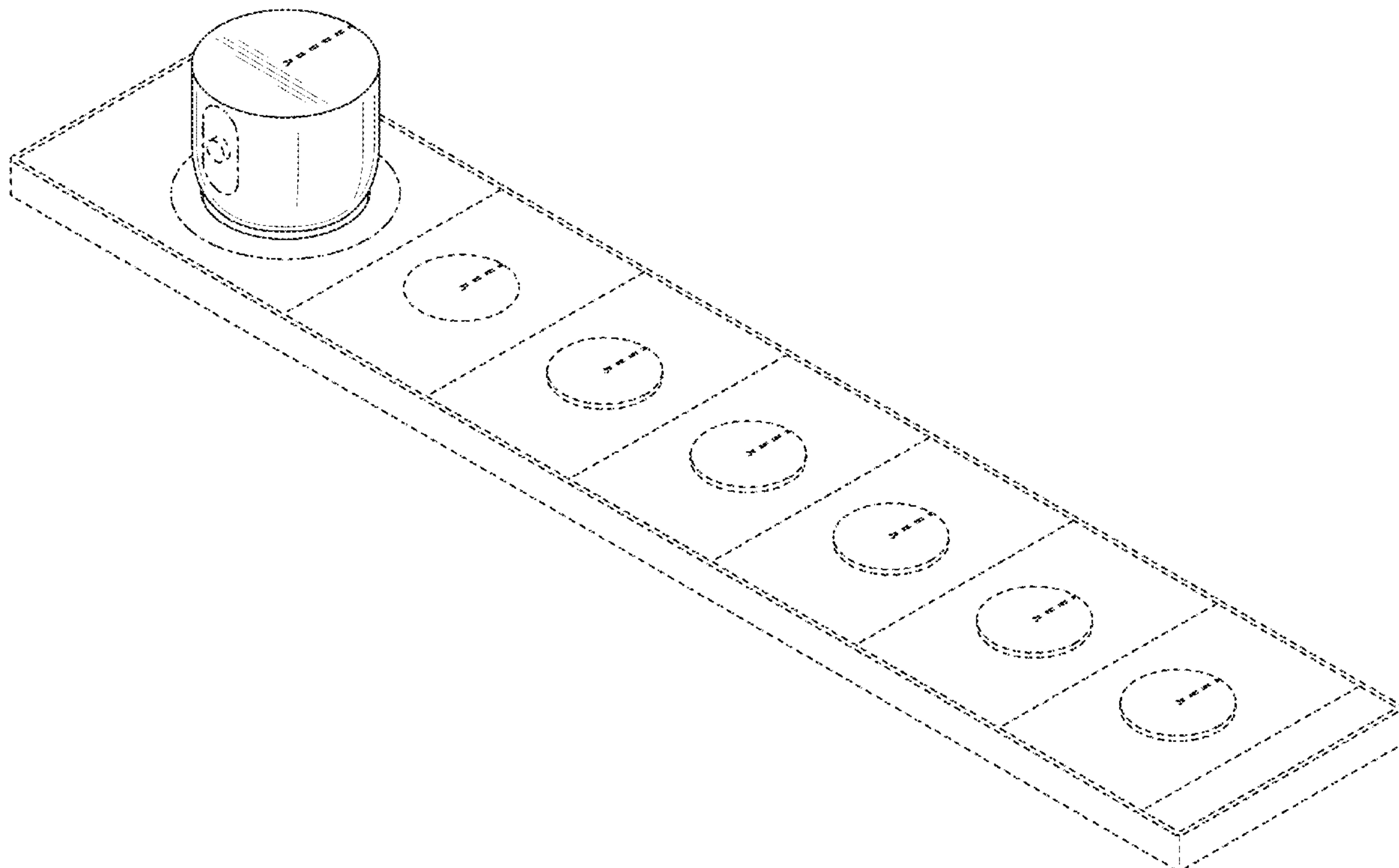
(56) **References Cited**

U.S. PATENT DOCUMENTS

D179,955 S * 3/1957 Shoepe D8/310
D534,628 S * 1/2007 Chisenhall D23/324
D613,825 S * 4/2010 Ishikawa D23/254
D713,235 S * 9/2014 Lee D8/310
D763,410 S * 8/2016 Schoenherr D23/250
D806,512 S * 1/2018 Chow D8/311
D868,951 S * 12/2019 Rejkowski D13/164
D882,736 S * 4/2020 Eads D23/252
D896,927 S * 9/2020 Soulier D23/250
D898,877 S * 10/2020 Schoenherr D23/254
D910,818 S * 2/2021 Gessi D23/254

The ornamental design that is claimed is shown in the drawings as solid lines and surfaces having surface shading: The broken lines in the drawings are for illustrative purposes only and form no part of the claimed design. For example, broken lines formed by equal length dashes show unclaimed portions of the design. Broken lines formed of unequal length dashes (i.e., dash-dot) show boundaries between either claimed and unclaimed portions of the design or between unclaimed and unclaimed portions of the design.

1 Claim, 3 Drawing Sheets



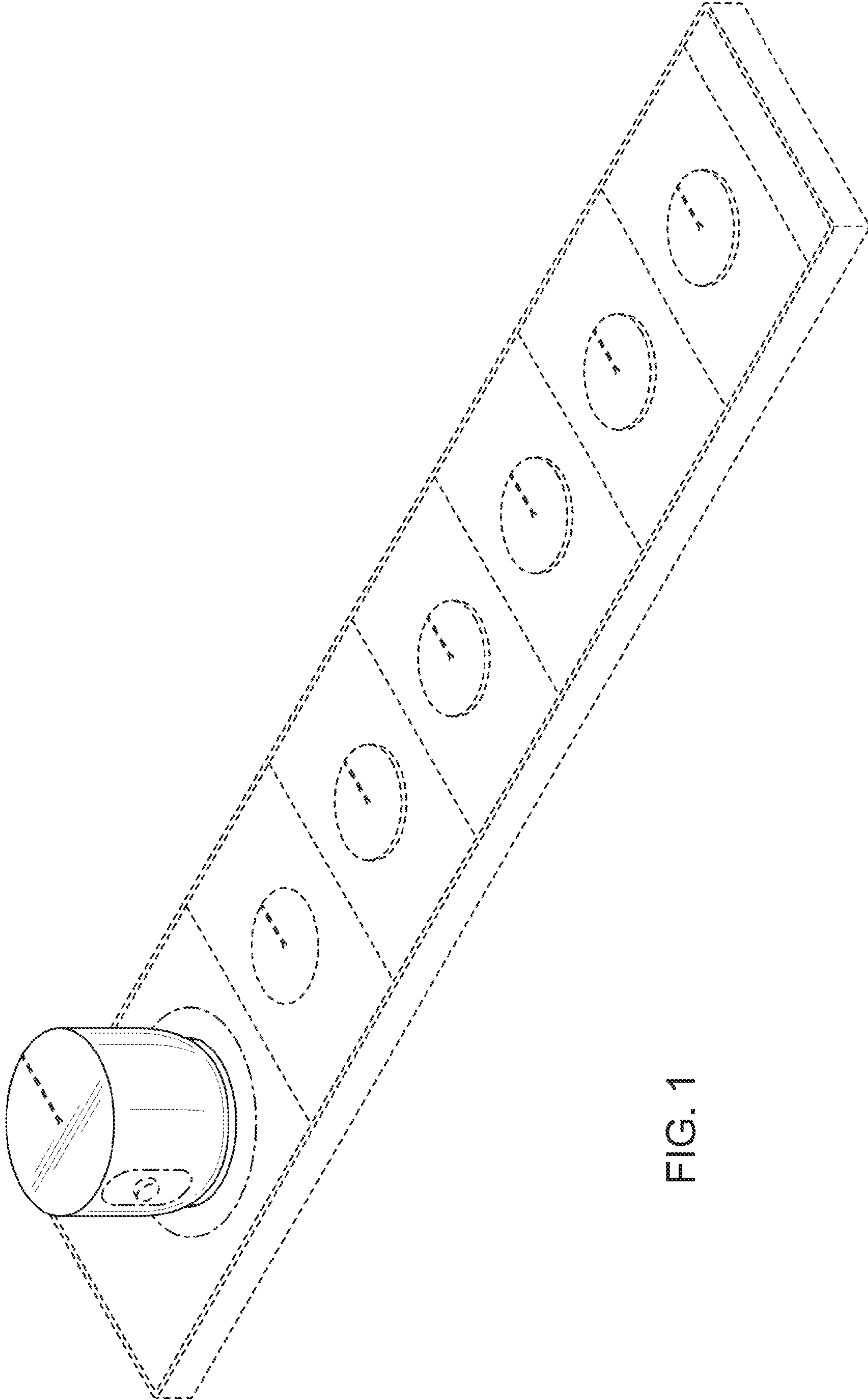


FIG. 1

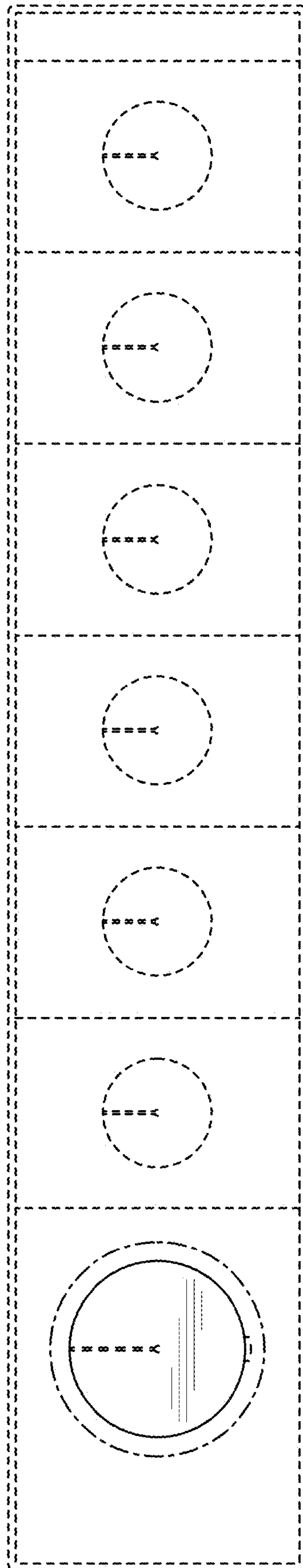


FIG. 2

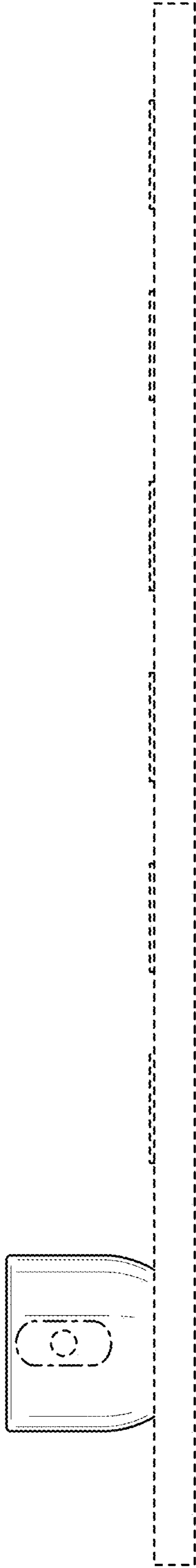


FIG. 3

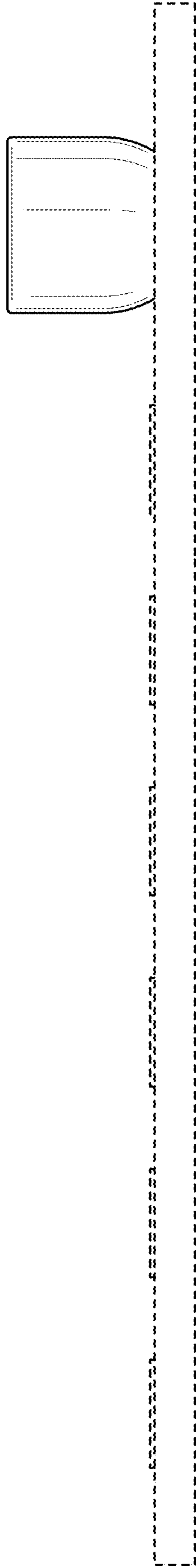


FIG. 4

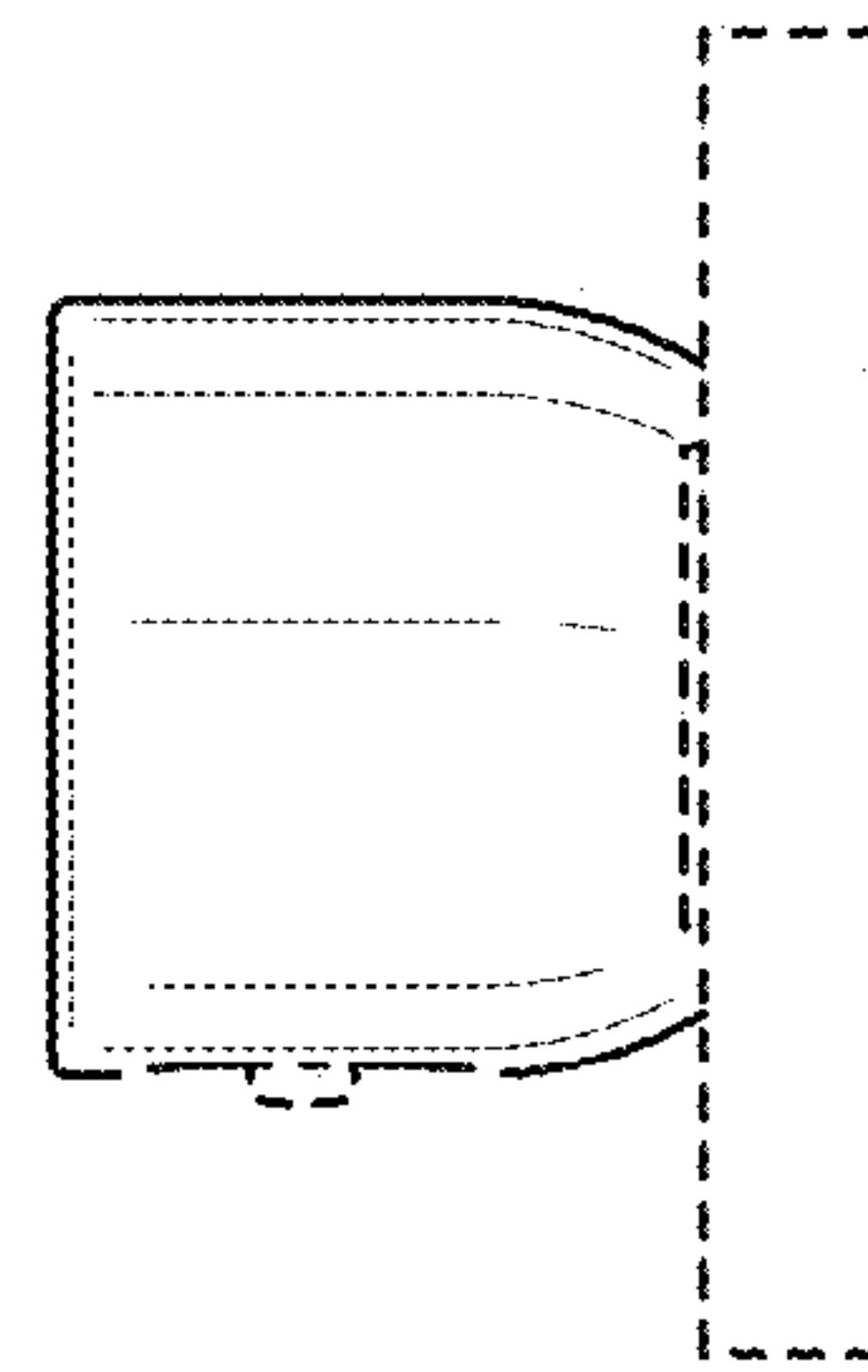


FIG. 5

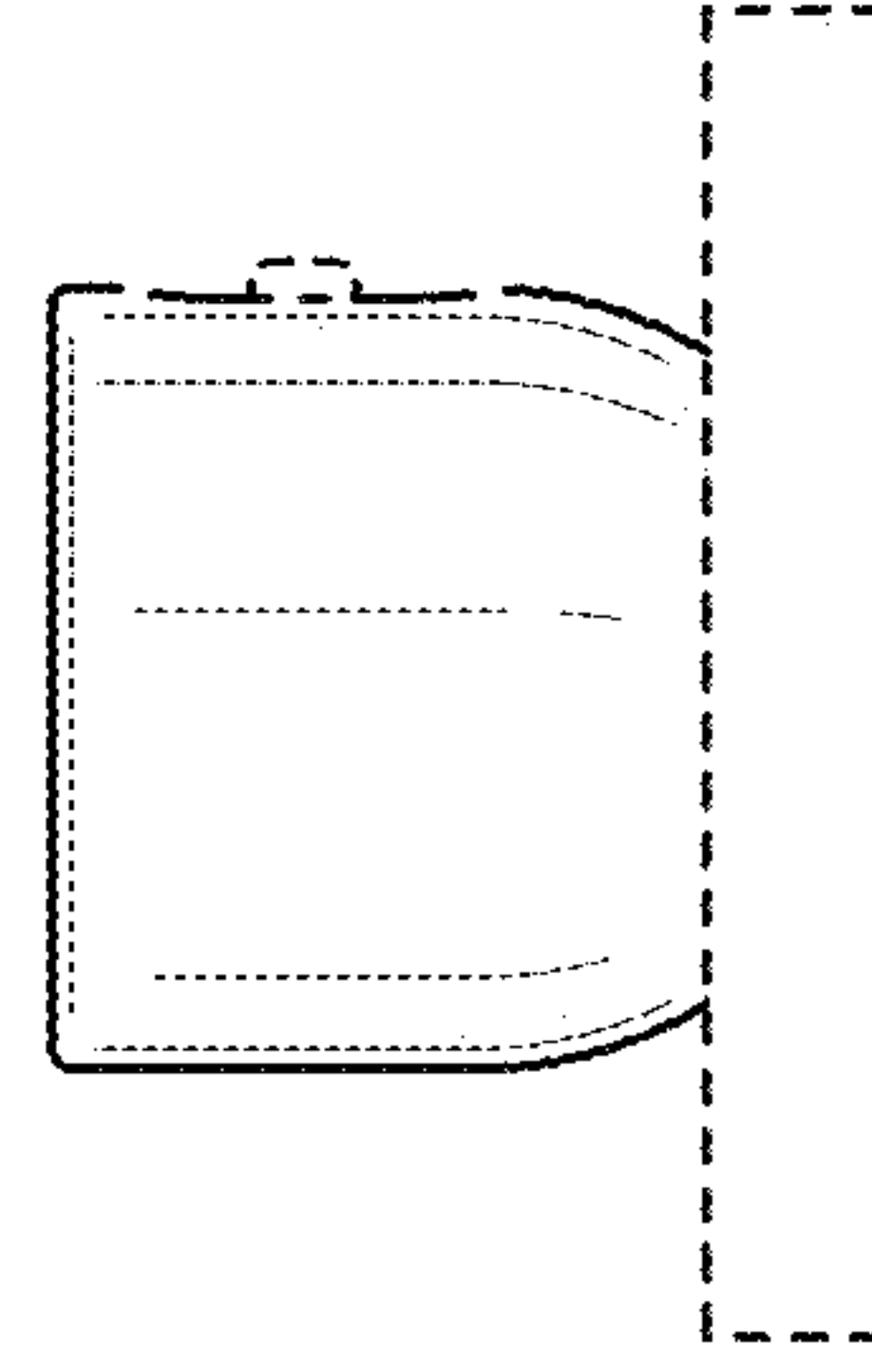


FIG. 6