



US00D974532S

(12) **United States Design Patent** (10) **Patent No.:** **US D974,532 S**  
**Kulig** (45) **Date of Patent:** **\*\* Jan. 3, 2023**

(54) **FAUCET**  
(71) Applicant: **Graff Faucets**, Milwaukee, WI (US)  
(72) Inventor: **Zbigniew Kulig**, Wadsworth, IL (US)  
(73) Assignee: **Graff Faucets**, Milwaukee, WI (US)  
(\*\*) Term: **15 Years**

D750,205 S \* 2/2016 Rexach ..... D23/255  
D761,940 S \* 7/2016 Flowers ..... D23/252  
D787,645 S \* 5/2017 Kirar ..... D23/257  
D803,986 S \* 11/2017 Schoenherr ..... D23/238  
D840,507 S \* 2/2019 Garland ..... D23/238  
D840,509 S \* 2/2019 Garland ..... D23/238  
D922,536 S \* 6/2021 Ao ..... D23/252

(21) Appl. No.: **29/762,204**  
(22) Filed: **Dec. 15, 2020**

**FOREIGN PATENT DOCUMENTS**

CN 201630107804 \* 4/2016  
GB 6059930 \* 5/2019

(51) **LOC (14) Cl.** ..... **23-01**  
(52) **U.S. Cl.**  
USPC ..... **D23/242**  
(58) **Field of Classification Search**  
USPC ..... D23/238, 239, 240, 241, 242, 243, 246,  
D23/247, 249, 250, 251, 252, 253, 254,  
D23/255, 256, 257  
CPC ..... E03C 1/00; E03C 1/01; E03C 1/02; E03C  
1/023; E03C 1/04; E03C 1/0401; E03C  
1/0403; E03C 1/0404; E03C 1/0412;  
E03C 1/05; E03C 1/042; F16K 31/60  
See application file for complete search history.

**OTHER PUBLICATIONS**

Amazon, SHUGUANG Bathroom Faucet, posted Sep. 21, 2020, [online], [visited Apr. 7, 2022]. Internet, <URL: https://www.amazon.co.uk/SHUGUANG-Bathroom-Mounted-Lavatory-Industrial/dp/B08JM562GP/ref> (Year: 2020).\*

\* cited by examiner

*Primary Examiner* — Samantha Wood  
(74) *Attorney, Agent, or Firm* — Defillo & Associates, Inc; Evelyn A. Defillo

(56) **References Cited**

**U.S. PATENT DOCUMENTS**

D290,496 S \* 6/1987 Ryan ..... D8/308  
D332,135 S \* 12/1992 Bonnell ..... D8/308  
D462,746 S \* 9/2002 Lord ..... D23/242  
D516,675 S \* 3/2006 Kakihana ..... D23/247  
D517,648 S \* 3/2006 Kulig ..... D23/238  
D521,602 S \* 5/2006 En-Min ..... D23/242  
D532,486 S \* 11/2006 Barry ..... D23/252  
D625,392 S \* 10/2010 Kulig ..... D23/242  
D684,666 S \* 6/2013 Lord ..... D23/238  
D717,924 S \* 11/2014 Rexach ..... D23/255

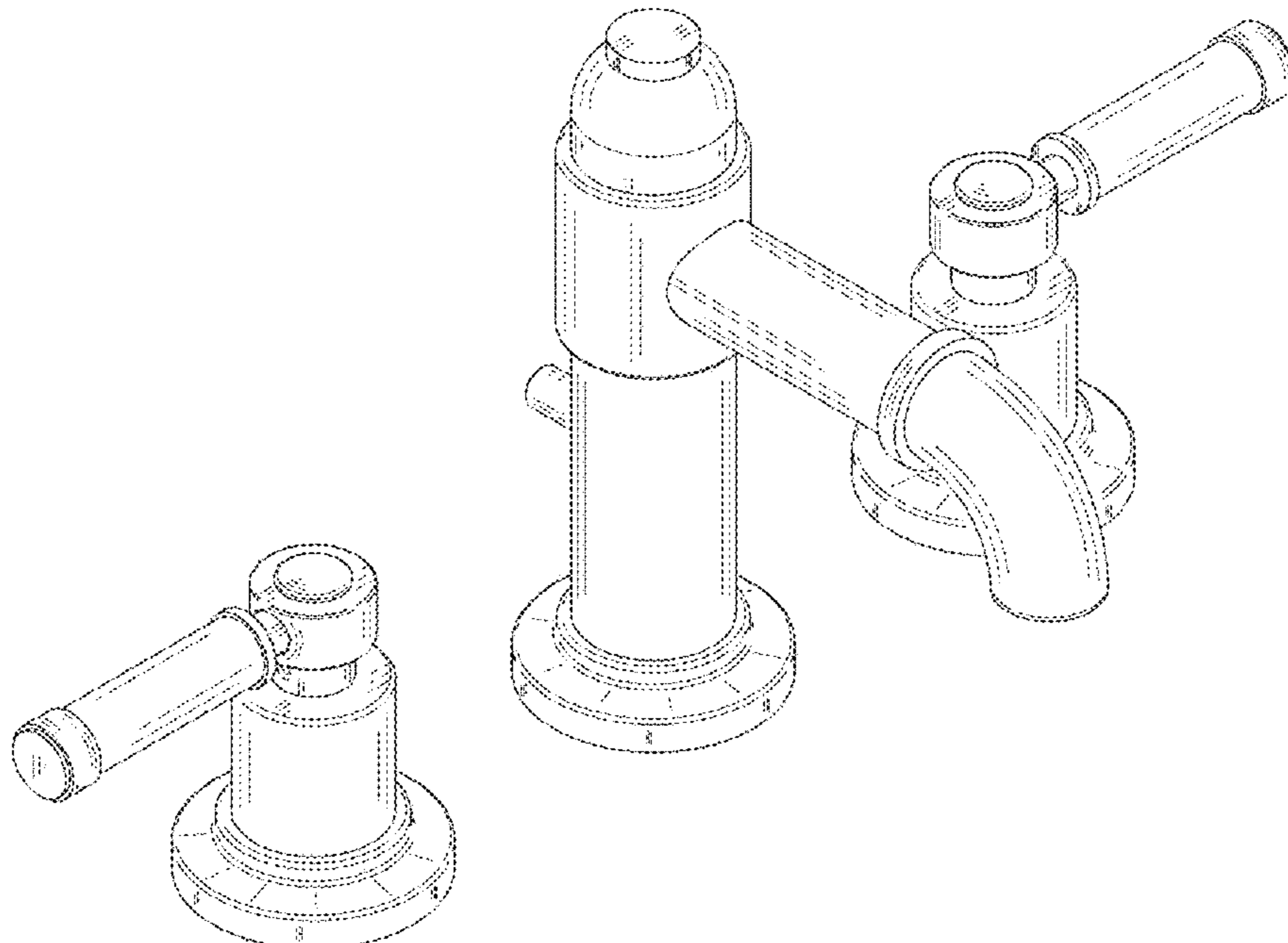
(57) **CLAIM**

The ornamental design for a faucet, as shown and described.

**DESCRIPTION**

FIG. 1 is a perspective front view of a faucet according to the present invention;  
FIG. 2 is a front view of the faucet of FIG. 1;  
FIG. 3 is a side view of the faucet of FIG. 1;  
FIG. 4 is a back view of the faucet of FIG. 1; and,  
FIG. 5 is a top view of the faucet of FIG. 1.  
The portion of the faucet shown in broken lines form no part of the claimed design.

**1 Claim, 5 Drawing Sheets**



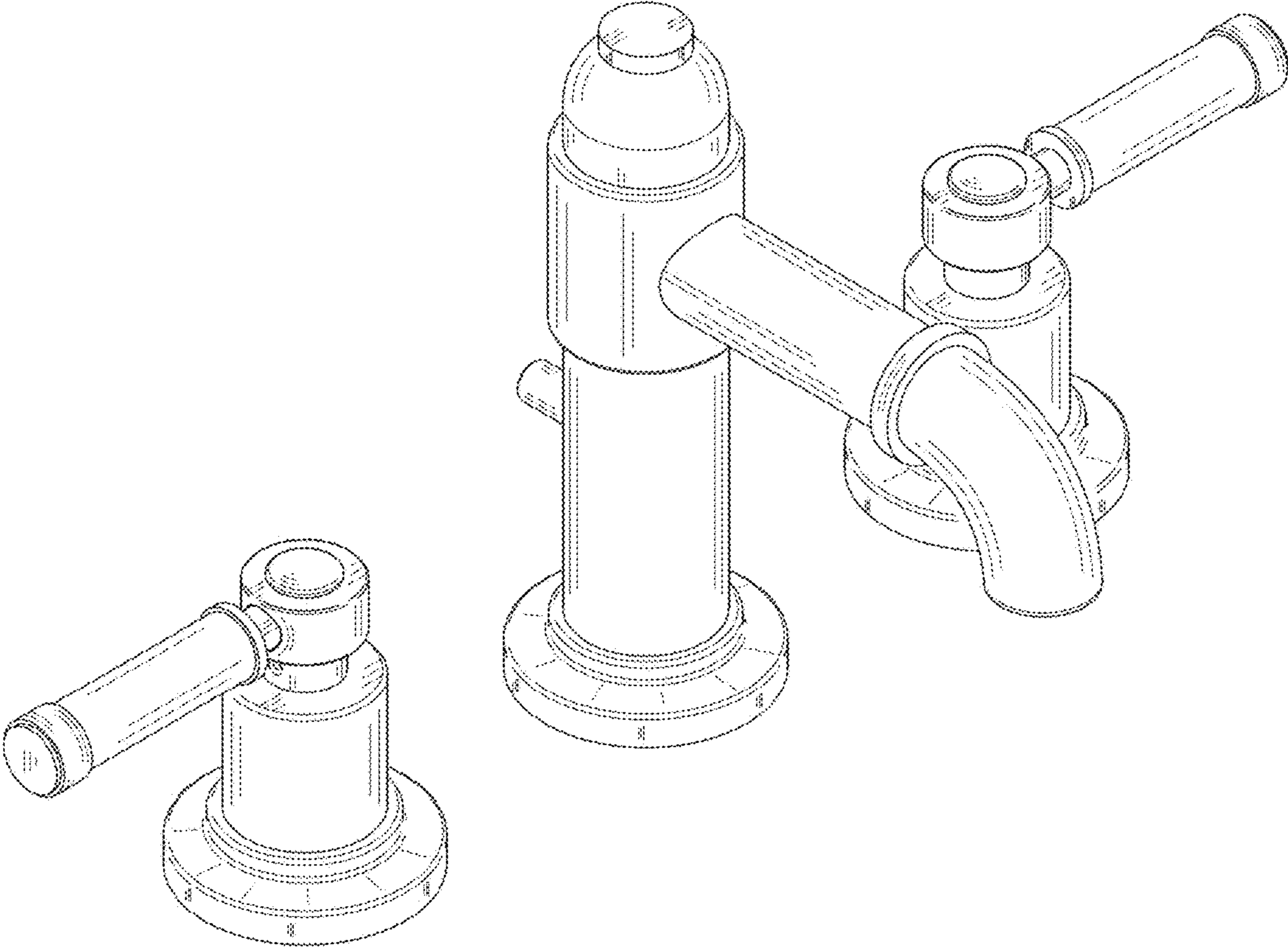


FIG. 1

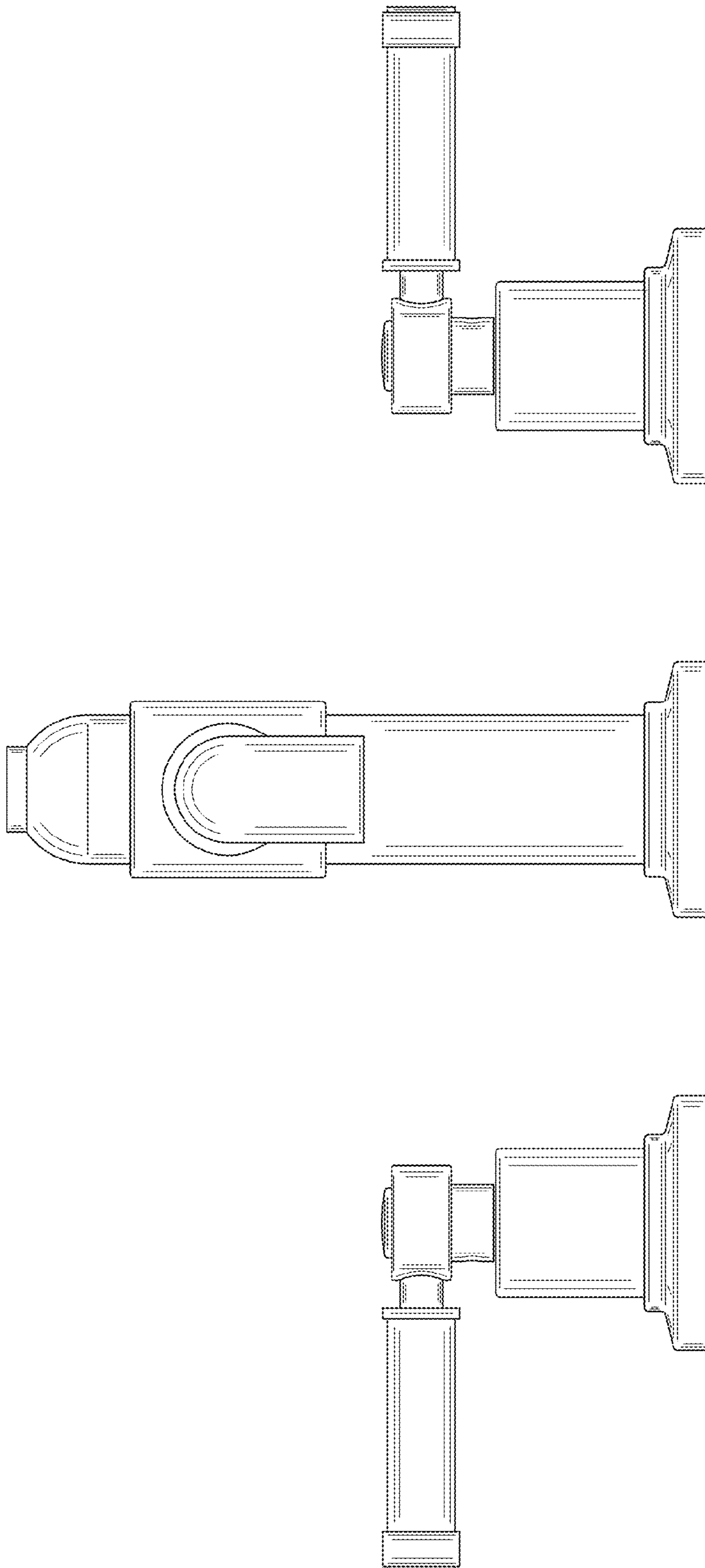


FIG. 2

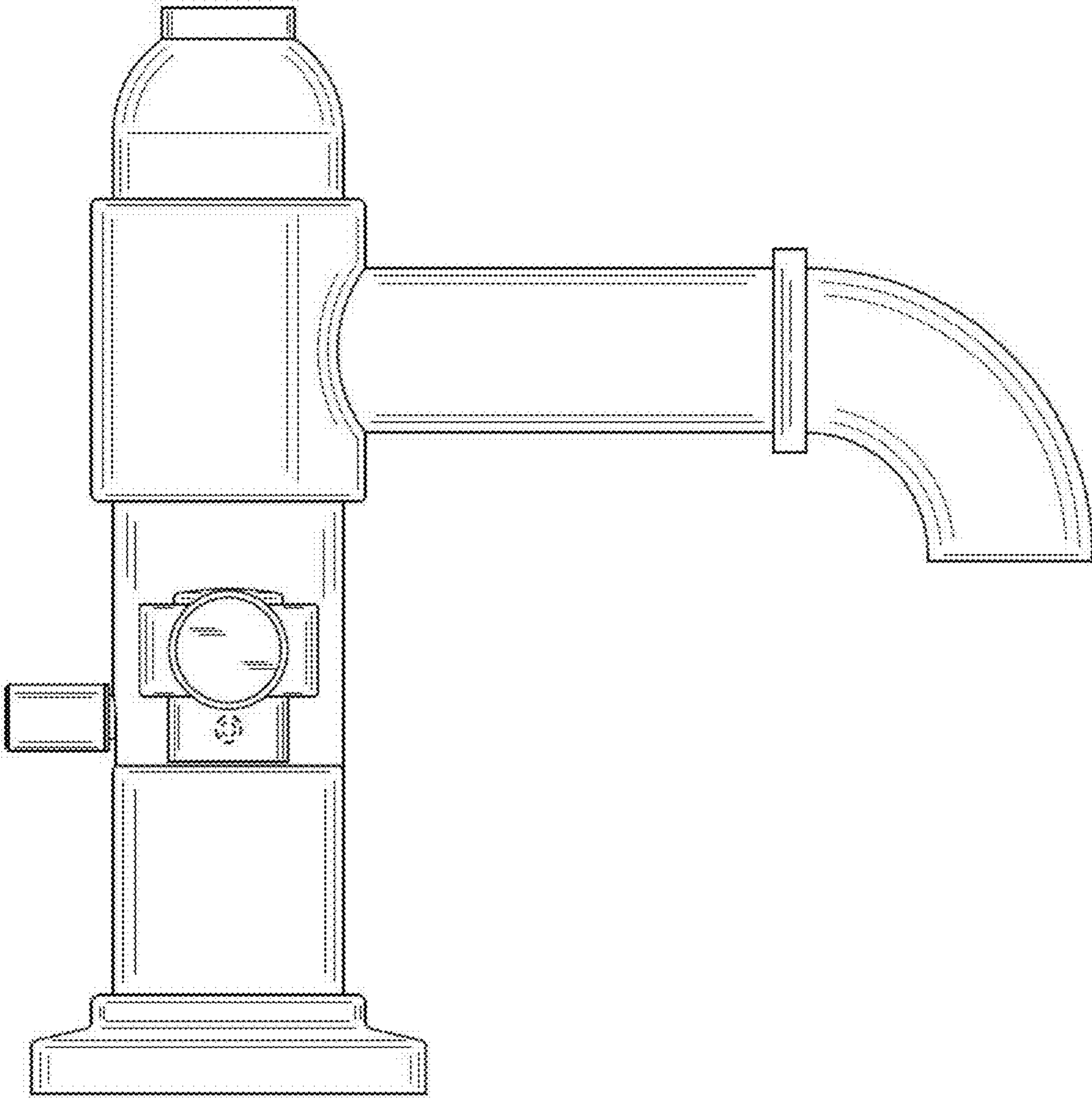


FIG. 3



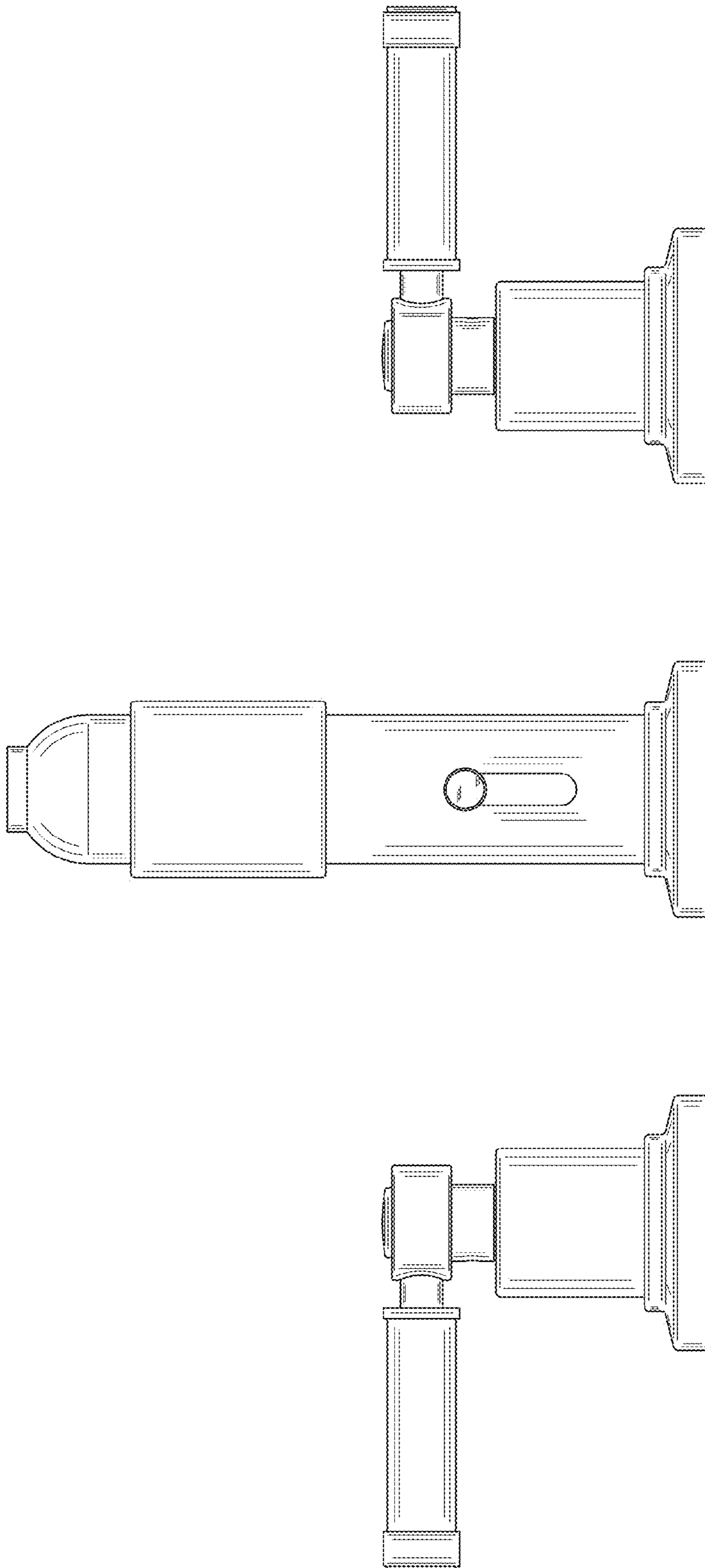


FIG. 4

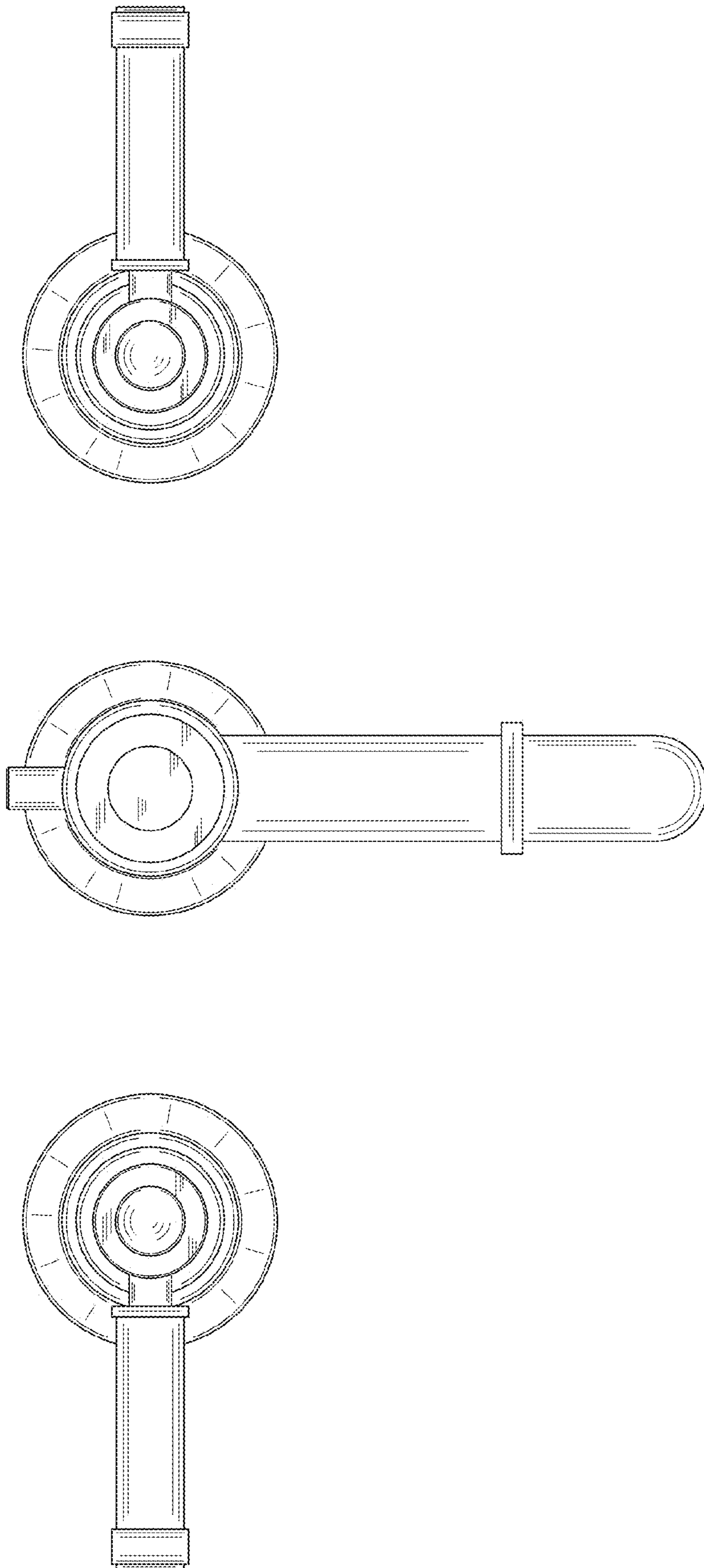


FIG. 5