



US00D974528S

(12) **United States Design Patent** (10) **Patent No.:** **US D974,528 S**
Fang (45) **Date of Patent:** **** Jan. 3, 2023**

(54) **PRESSURE WASHER HANDLE**
(71) Applicant: **Taizhou Xiaojing Trading Co., Ltd.**,
Taizhou (CN)
(72) Inventor: **Jie Fang**, Taizhou (CN)
(73) Assignee: **Taizhou Xiaojing Trading Co., Ltd.**,
Taizhou (CN)
(**) Term: **15 Years**
(21) Appl. No.: **29/821,207**
(22) Filed: **Dec. 28, 2021**
(51) **LOC (14) Cl.** **23-01**
(52) **U.S. Cl.**
USPC **D23/226**
(58) **Field of Classification Search**
USPC D23/213, 214, 223, 225, 226, 229
CPC B05B 1/16; B05B 1/1618; B05B 7/0018;
B05B 7/0093; B05B 7/02; B05B 7/12;
B05B 9/01; B05B 12/002
See application file for complete search history.

(56) **References Cited**
U.S. PATENT DOCUMENTS
D334,615 S * 4/1993 Berfield D23/226
D422,055 S 3/2000 Stasny et al.
D474,529 S 5/2003 Sodemann et al.
D499,791 S * 12/2004 Etter D23/226
D518,556 S * 4/2006 Amaduzzi D23/226
D571,434 S * 6/2008 Renner D23/223
D573,690 S * 7/2008 Meyer D23/223
D636,846 S * 4/2011 Shoemaker D23/213
D705,394 S * 5/2014 Alexander D23/226
D803,984 S * 11/2017 Tschopp D23/226
D850,582 S * 6/2019 Weinberg D23/223
D879,912 S * 3/2020 Alexander D23/223
D902,345 S * 11/2020 Alexander D23/223
D910,812 S * 2/2021 Kangkang D23/226

D942,588 S * 2/2022 Alexander D23/226
D965,745 S * 10/2022 Lin D23/226
2005/0155972 A1* 7/2005 Ray B05B 7/2408
220/200
2015/0174598 A1* 6/2015 Eschrich B05B 9/01
239/526
2017/0225203 A1* 8/2017 Kloepfer B08B 3/003
2019/0210074 A1* 7/2019 Chen B05B 12/00
2019/0283061 A1* 9/2019 Qiao B08B 3/02

OTHER PUBLICATIONS

M Mingle Short Pressure Washer Gun, Sep. 23, 2022, Amazon, site visited Nov. 3, 2022: <https://www.amazon.com/dp/B0BB28NFLW/> (Year: 2022).*

(Continued)

Primary Examiner — Jack Reickel
Assistant Examiner — Bobby W Jones, II
(74) *Attorney, Agent, or Firm* — ScienBiziP, P.C.

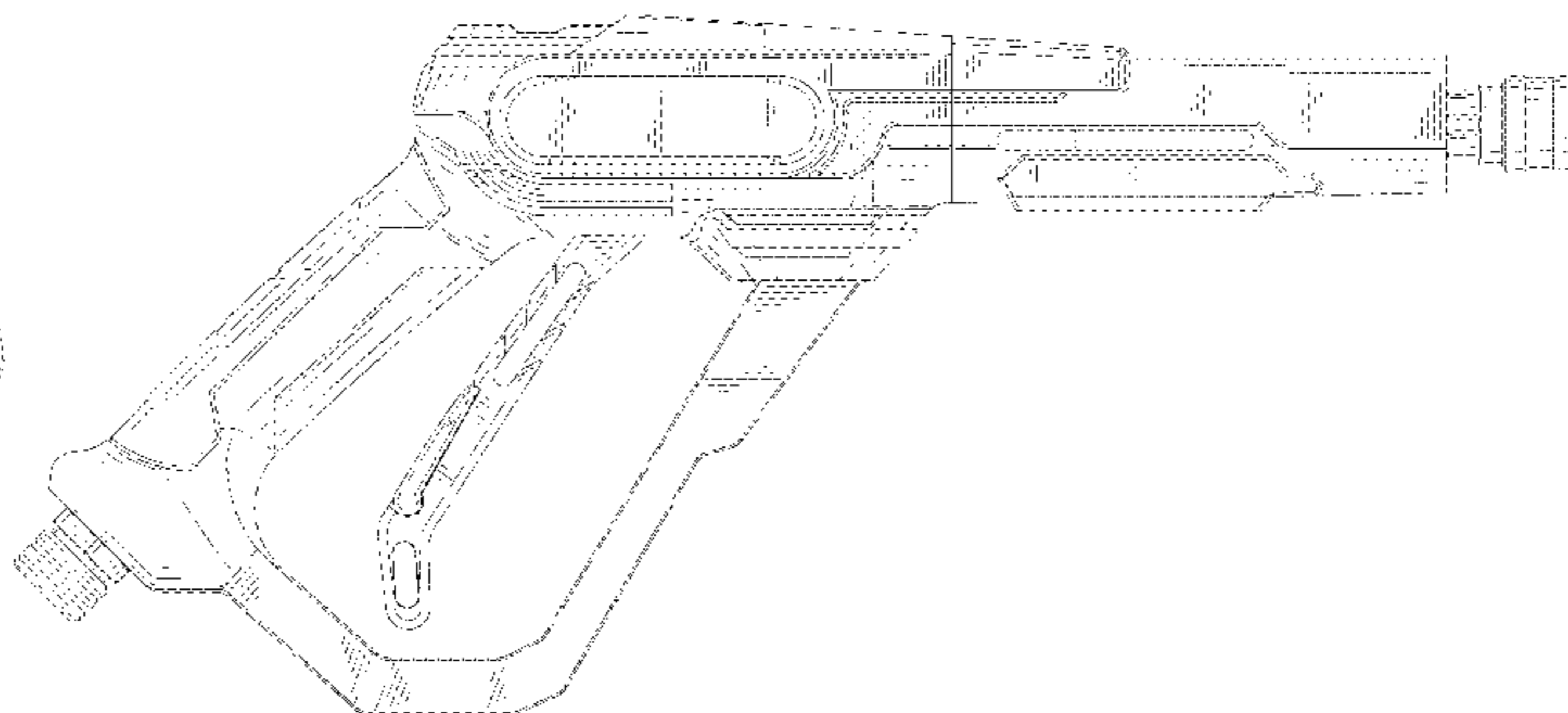
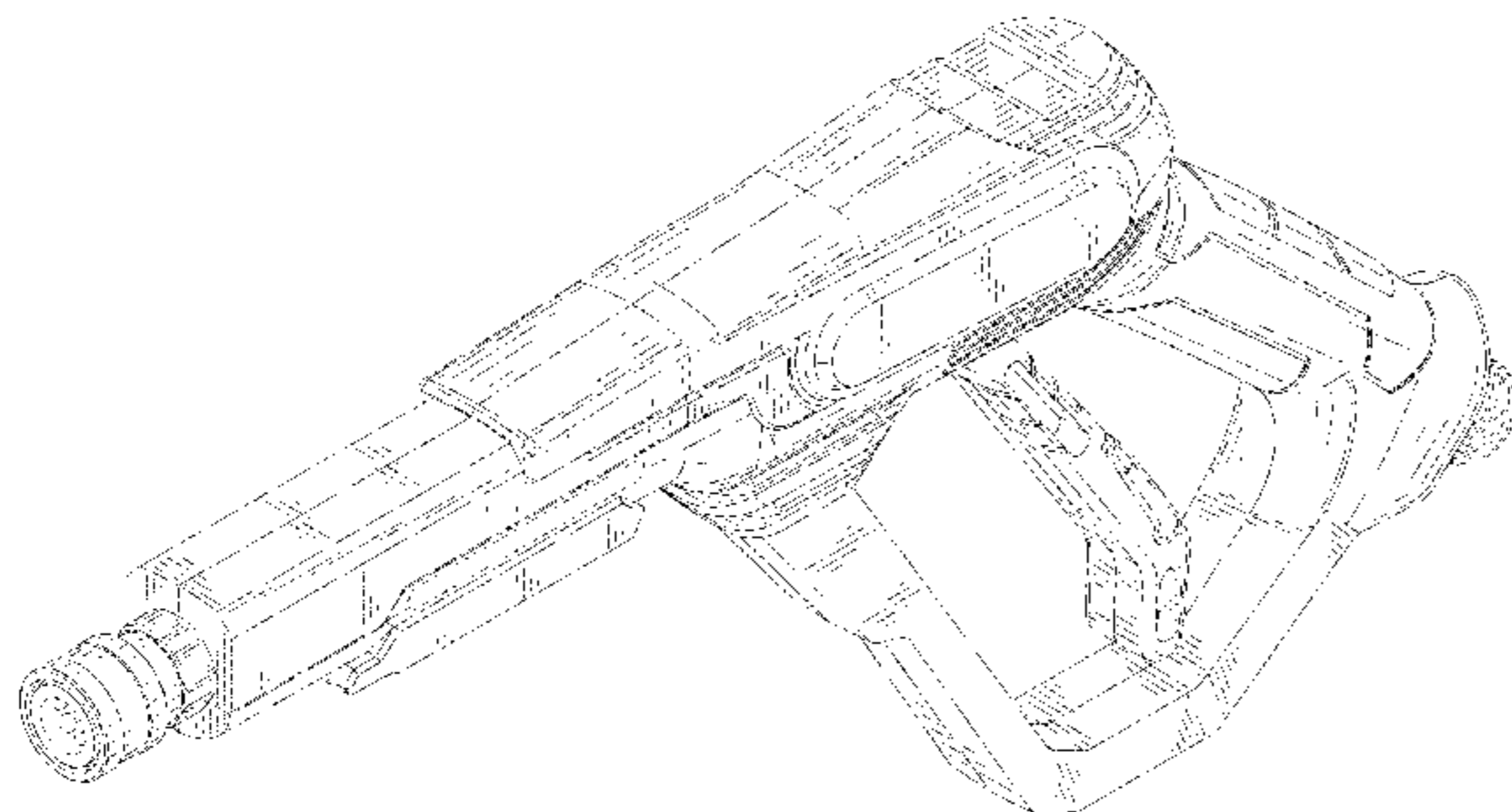
(57) **CLAIM**

The ornamental design for a pressure washer handle, as shown and described.

DESCRIPTION

FIG. 1 is a front, right and top perspective view of a pressure washer handle, showing my design.
FIG. 2 is a rear, left and bottom perspective view thereof.
FIG. 3 is a front elevation view thereof.
FIG. 4 is a rear elevation view thereof.
FIG. 5 is a left side elevation view thereof.
FIG. 6 is a right side elevation view thereof.
FIG. 7 is a top plan view thereof; and,
FIG. 8 is a bottom plan view thereof.
The broken lines shown in the drawings are included for the purpose of illustrating portions of the pressure washer handle that form no part of the claimed design.

1 Claim, 8 Drawing Sheets



(56)

References Cited

OTHER PUBLICATIONS

Ridge Washer Pressure Washer Gun, Mar. 14, 2021, Amazon, site visited Nov. 3, 2022: <https://www.amazon.ca/dp/B08TR28D4G/> (Year: 2021).*

Tool Daily Pressure Washer Gun, May 24, 2021, Amazon, site visited Nov. 3, 2022: <https://www.amazon.com/dp/B08RRVN3MP/> (Year: 2021).*

* cited by examiner

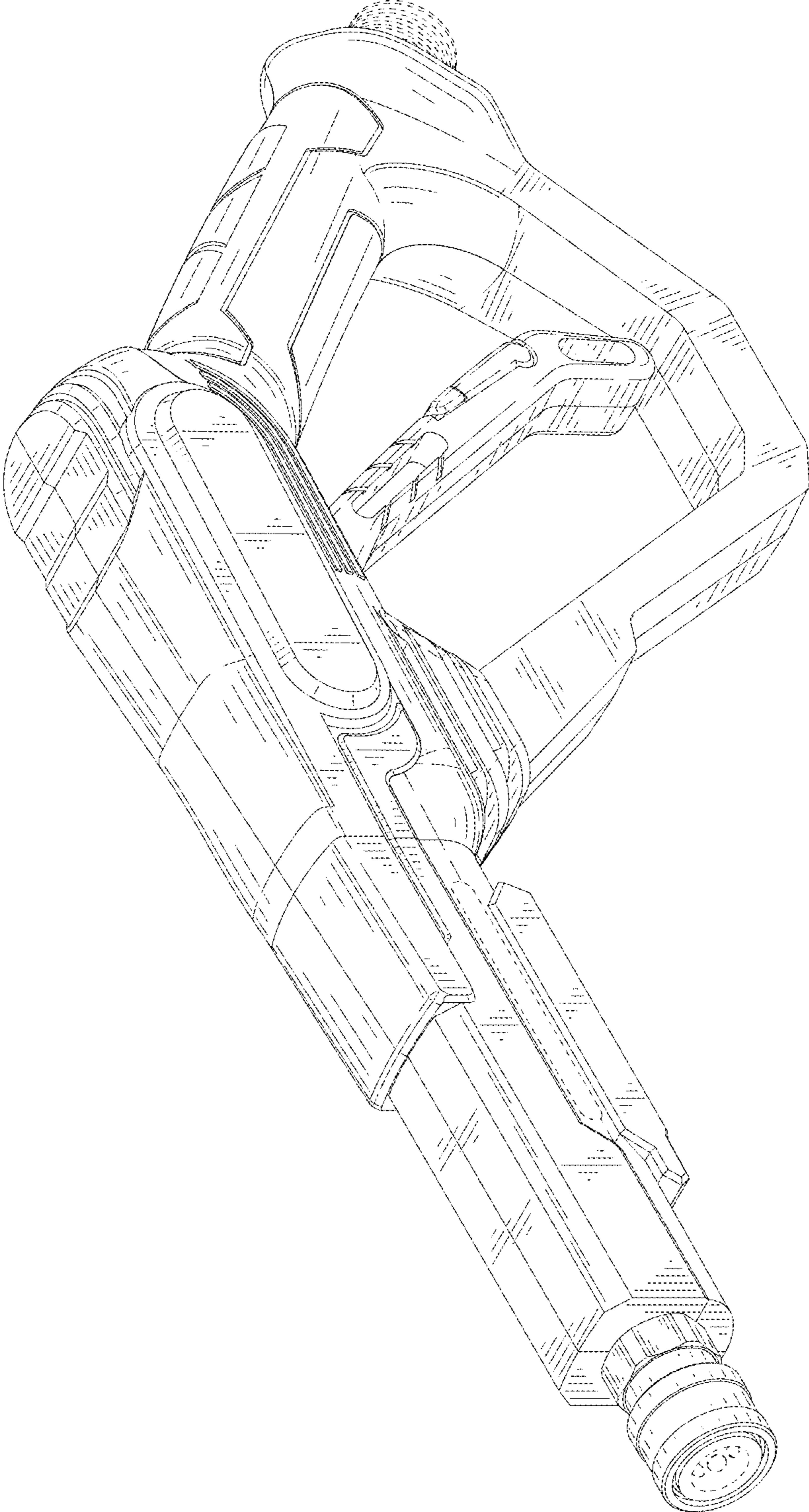


FIG. 1

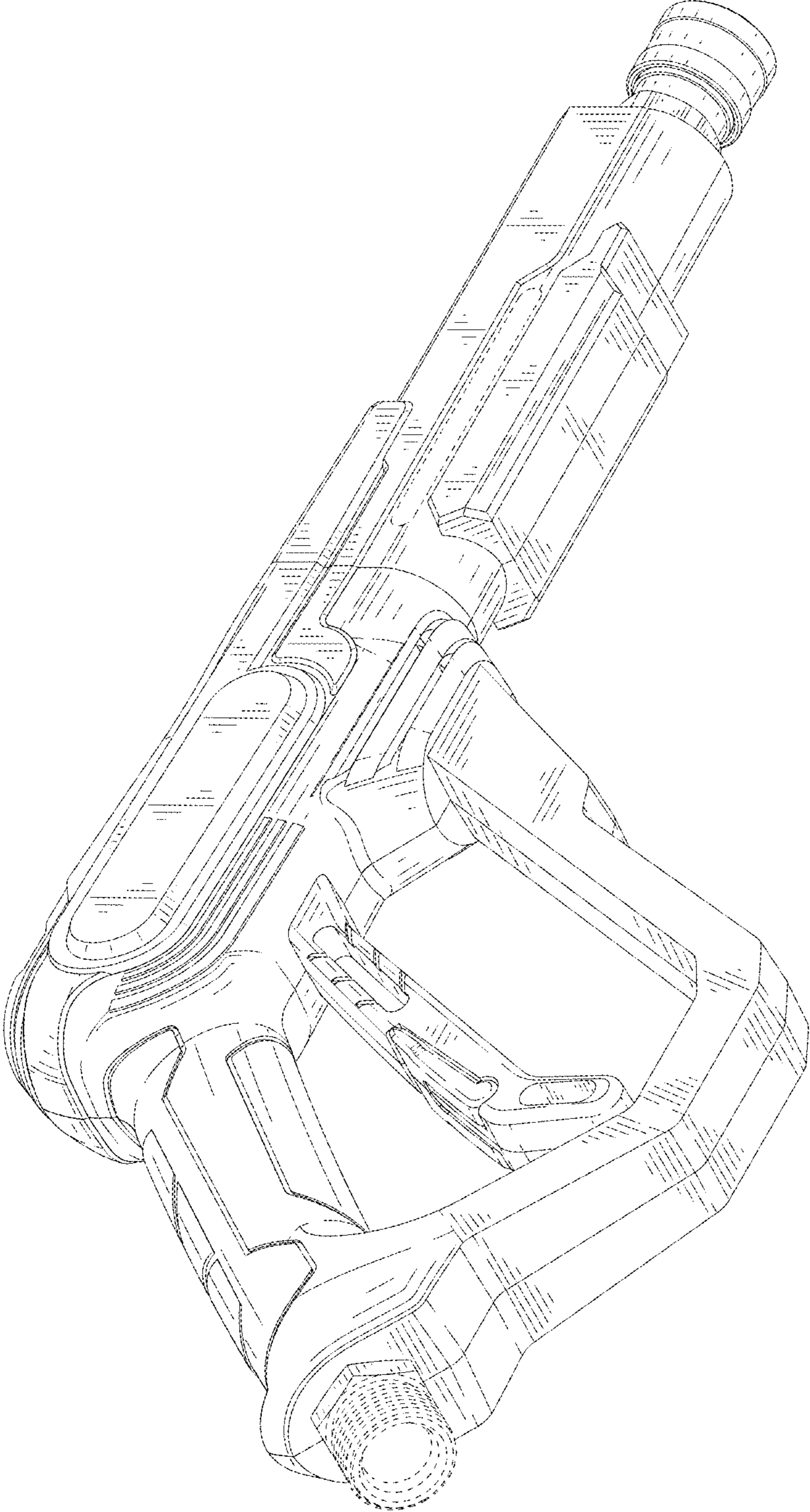


FIG. 2

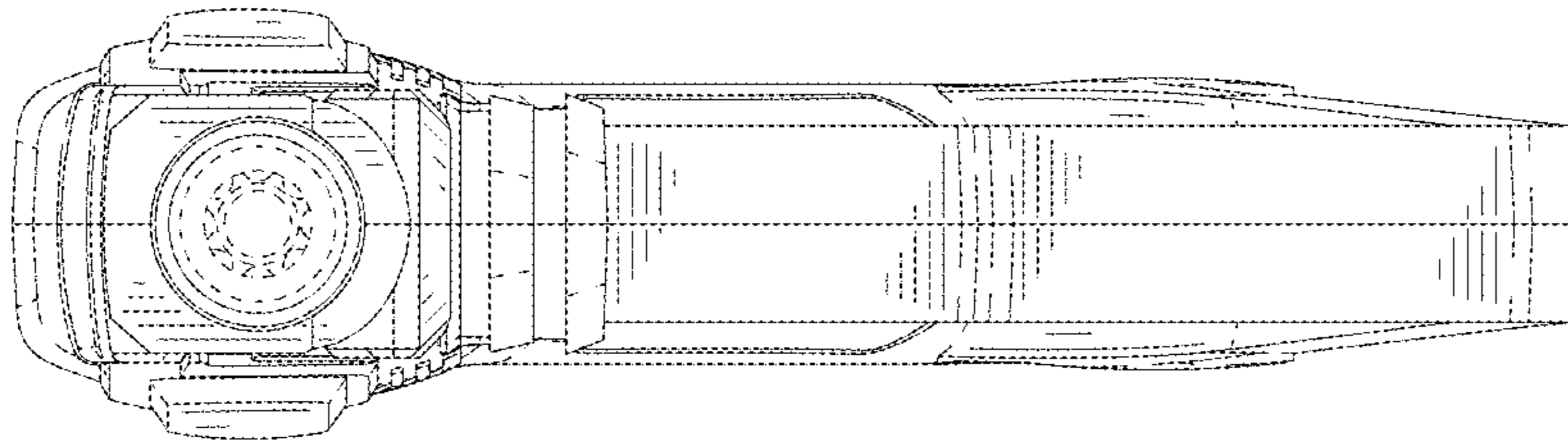


FIG. 3

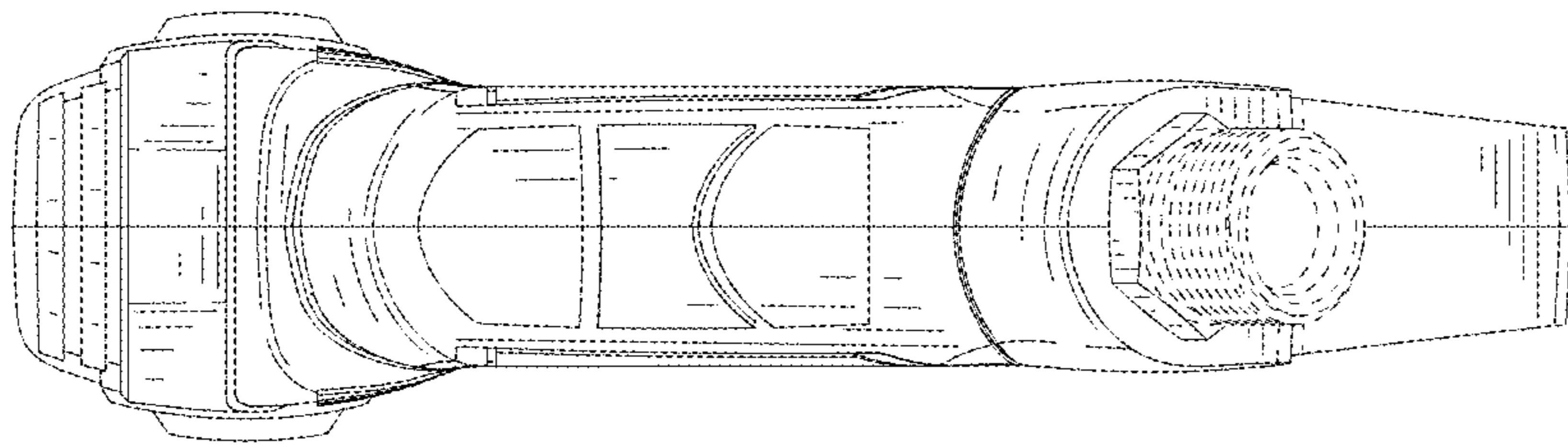


FIG. 4

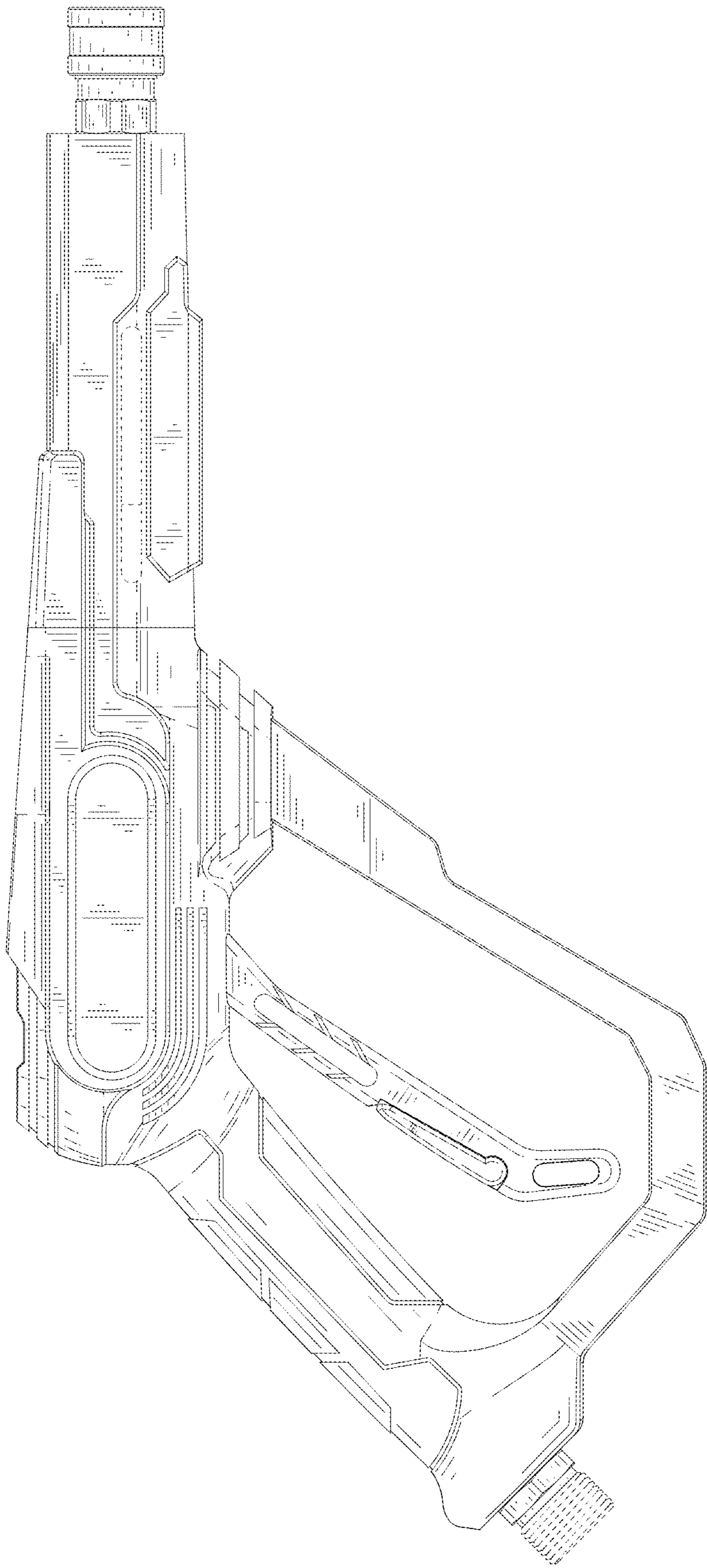


FIG. 5

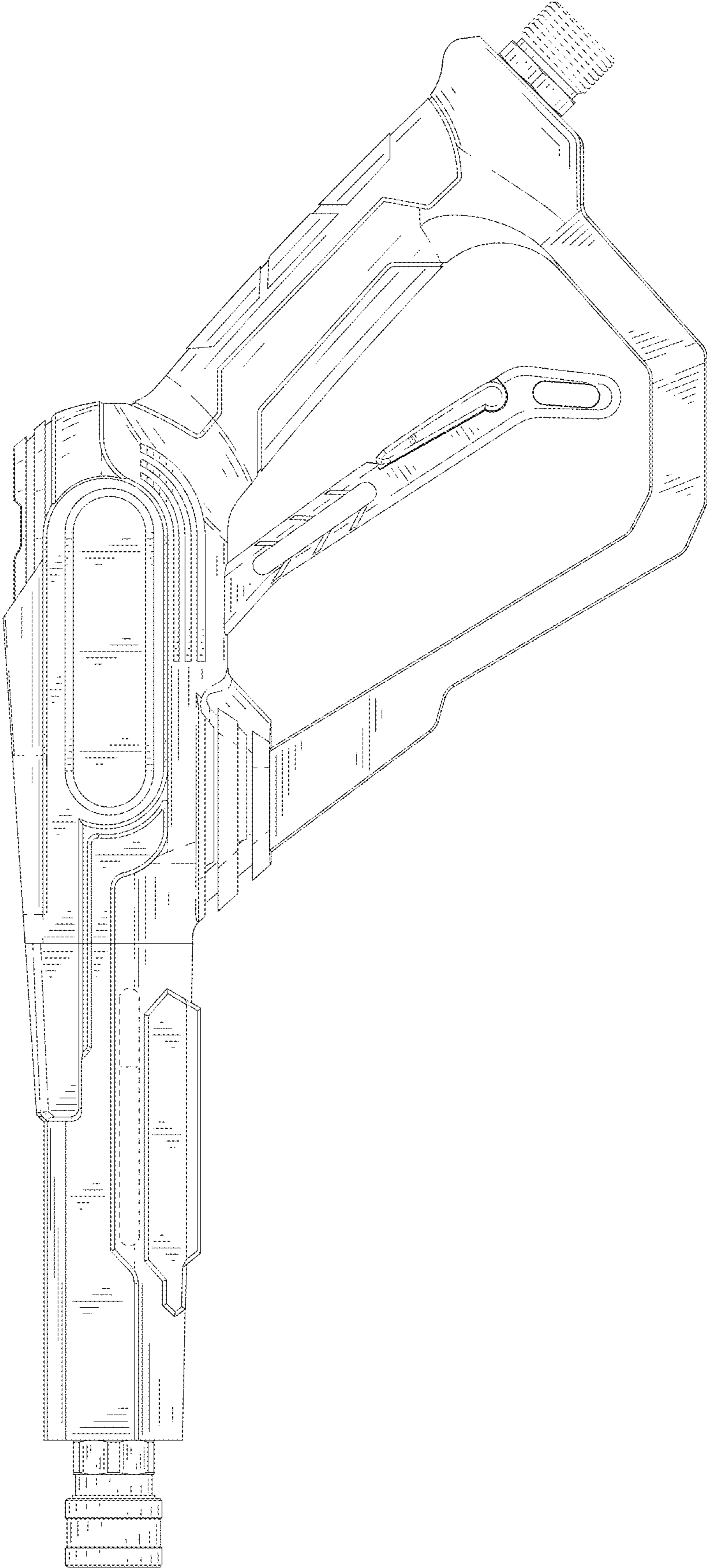


FIG. 6

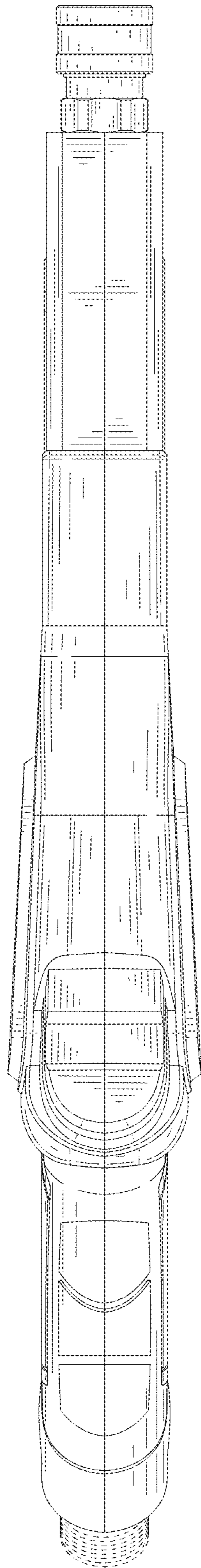


FIG. 7

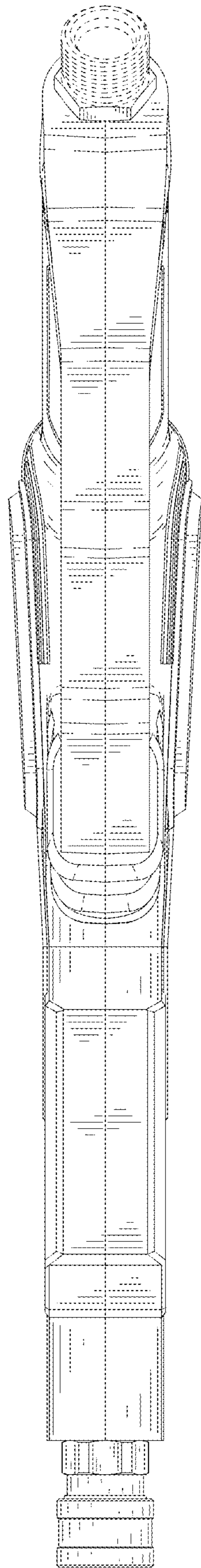


FIG. 8