



US00D974527S

(12) **United States Design Patent**
Fang

(10) **Patent No.:** **US D974,527 S**

(45) **Date of Patent:** **** Jan. 3, 2023**

(54) **FOAM BLASTER FOR PRESSURE WASHER**

(71) Applicant: **Taizhou Xiaojing Trading Co., Ltd.**,
Taizhou (CN)

(72) Inventor: **Jie Fang**, Taizhou (CN)

(73) Assignee: **Taizhou Xiaojing Trading Co., Ltd.**,
Taizhou (CN)

(**) Term: **15 Years**

(21) Appl. No.: **29/821,204**

(22) Filed: **Dec. 28, 2021**

(51) **LOC (14) Cl.** **23-01**

(52) **U.S. Cl.**
USPC **D23/225**

(58) **Field of Classification Search**
USPC D23/211, 212, 213, 214, 223, 224, 225,
D23/226, 229

CPC B05B 1/16; B05B 1/1618; B05B 7/0018;
B05B 7/0093; B05B 7/02; B05B 7/12;
B05B 7/2402; B05B 7/2416; B05B
7/2478; B05B 9/01; B05B 9/0894; B05B
12/002

See application file for complete search history.

(56) **References Cited**

U.S. PATENT DOCUMENTS

D318,317 S *	7/1991	Norman	D23/225
D322,838 S *	12/1991	Hagedorn	D23/225
D432,372 S *	10/2000	Iaciofano	D8/2
7,237,728 B1 *	7/2007	Laible	B05B 7/2443 239/347
D632,175 S	2/2011	Tu		
D827,773 S *	9/2018	Schneider	D23/225
D827,774 S *	9/2018	Schneider	D23/225
D827,775 S *	9/2018	Schneider	D23/225
D827,776 S *	9/2018	Schneider	D23/225
10,259,002 B1 *	4/2019	Kuo	B05B 7/2459
D902,345 S	11/2020	Alexander		

D918,341 S *	5/2021	Wang	D23/225
D930,113 S *	9/2021	Dubiel	D23/213
D937,386 S *	11/2021	Thompson	D23/225
D942,722 S *	2/2022	Lin	D32/25
D952,098 S *	5/2022	Tong	D32/25
D956,927 S *	7/2022	Qiao	D23/225
D964,676 S *	9/2022	Lin	D32/25
2017/0120266 A1 *	5/2017	Fu	B05B 7/064
2019/0105671 A1 *	4/2019	Carpanese	B05B 15/68
2021/0154690 A1 *	5/2021	Chen	B05B 7/12

(Continued)

OTHER PUBLICATIONS

Ridge Washer Foam Cannon for Pressure Washer, May 30, 2022, Amazon, site visited Oct. 20, 2022: <https://www.amazon.com/dp/B09X32QXXS/> (Year: 2022).*

(Continued)

Primary Examiner — Jack Reickel

Assistant Examiner — Bobby W Jones, II

(74) *Attorney, Agent, or Firm* — ScienBiziP, P.C.

(57) **CLAIM**

The ornamental design for a foam blaster for pressure washer, as shown and described.

DESCRIPTION

FIG. 1 is a front, right and top perspective view of a foam blaster for pressure washer, showing my design.

FIG. 2 is a rear, left and bottom perspective view thereof.

FIG. 3 is a front elevation view thereof.

FIG. 4 is a rear elevation view thereof.

FIG. 5 is a left side elevation view thereof.

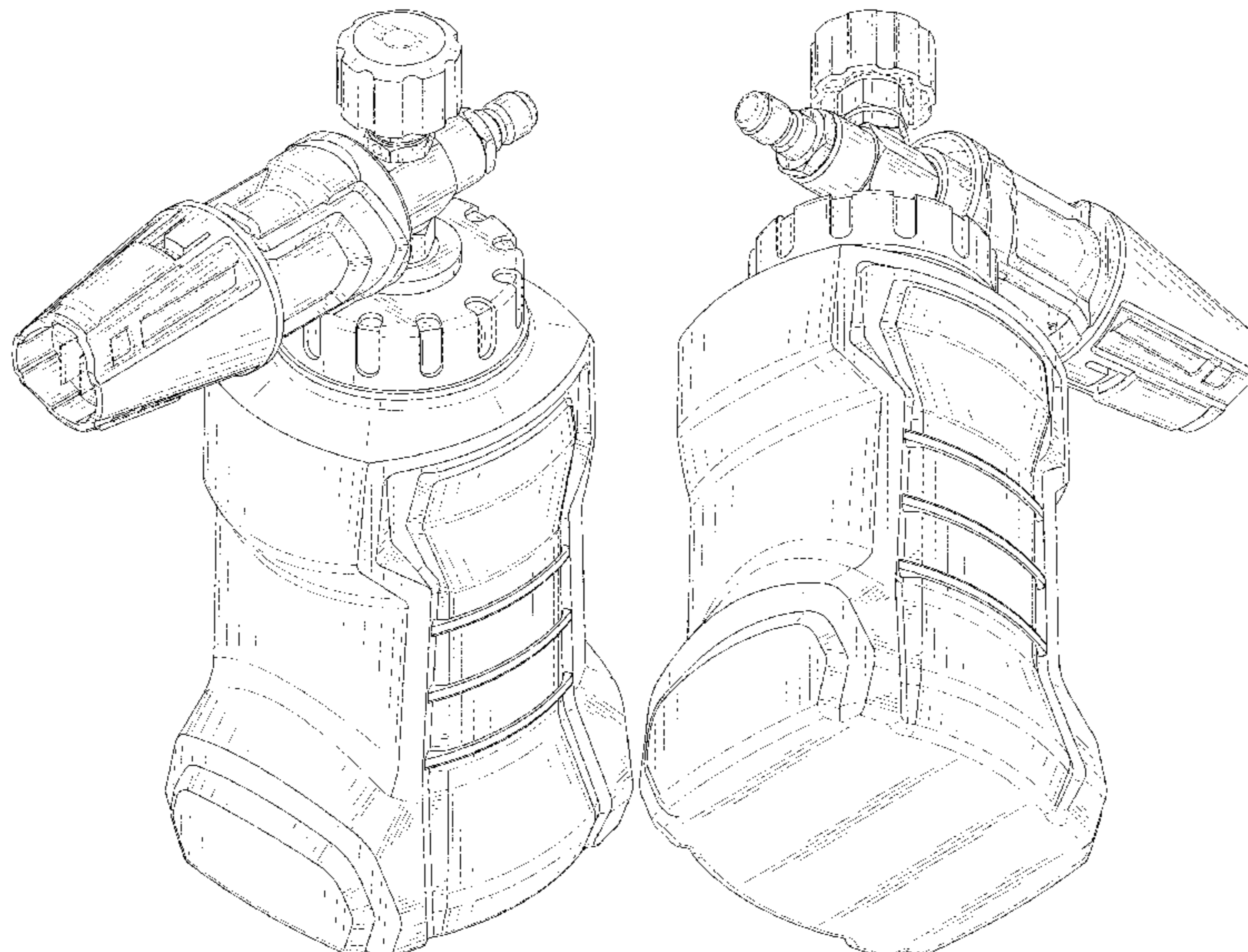
FIG. 6 is a right side elevation view thereof.

FIG. 7 is a top plan view thereof; and,

FIG. 8 is a bottom plan view thereof.

The broken lines shown in the drawings are included for the purpose of illustrating portions of the foam blaster for pressure washer that form no part of the claimed design.

1 Claim, 8 Drawing Sheets



(56)

References Cited

U.S. PATENT DOCUMENTS

2022/0234809 A1* 7/2022 Yen B65D 83/682
2022/0297145 A1* 9/2022 Lo B05B 7/0425

OTHER PUBLICATIONS

AstroAI Foam Cannon, Apr. 27, 2021, Amazon, site visited Oct. 20, 2022: <https://www.amazon.com/dp/B08W8BFRRW/> (Year: 2021).*

GDHXW X-444 Pressure Washer Gun Foam Cannon, Aug. 13, 2019, Amazon, site visited Oct. 20, 2022: <https://www.amazon.com/dp/B07WFF19JF/> (Year: 2019).*

* cited by examiner

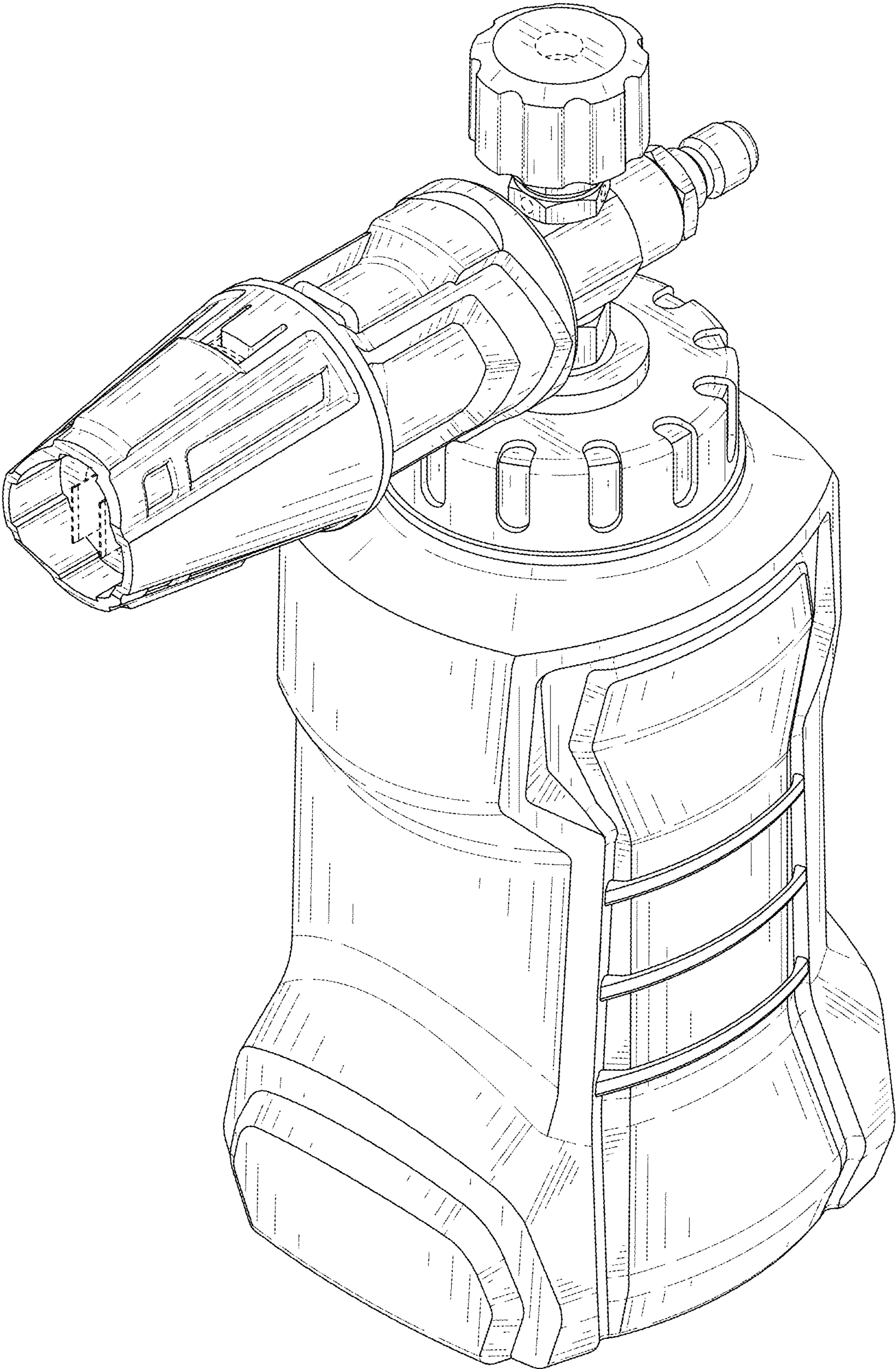


FIG. 1

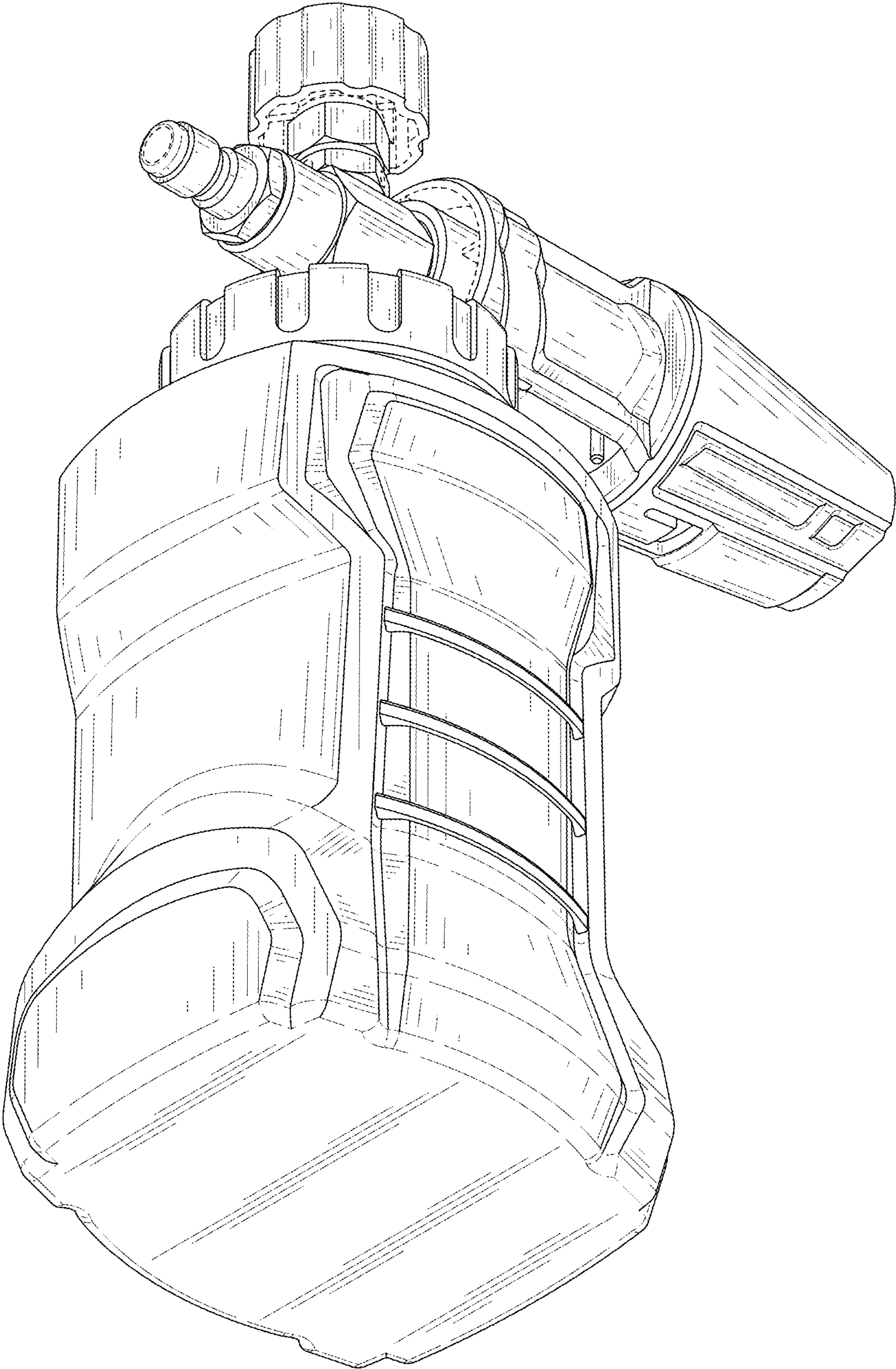


FIG. 2

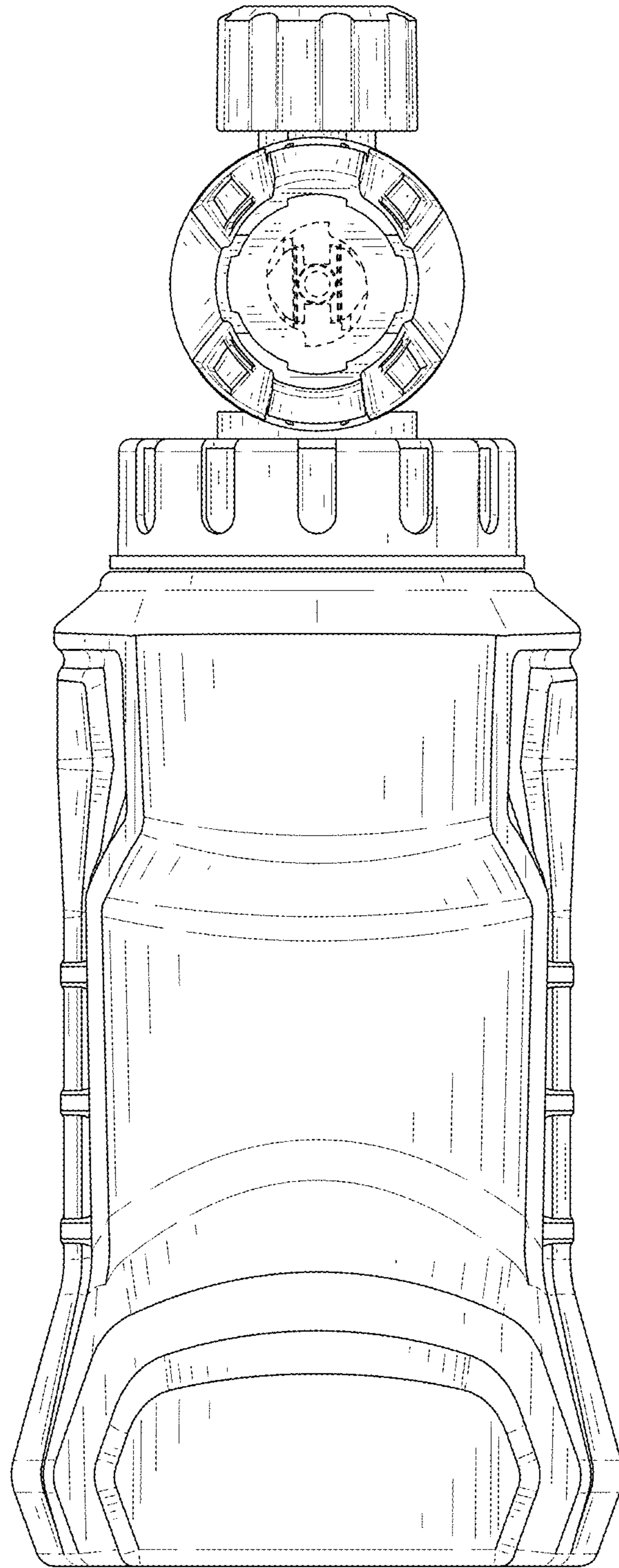


FIG. 3

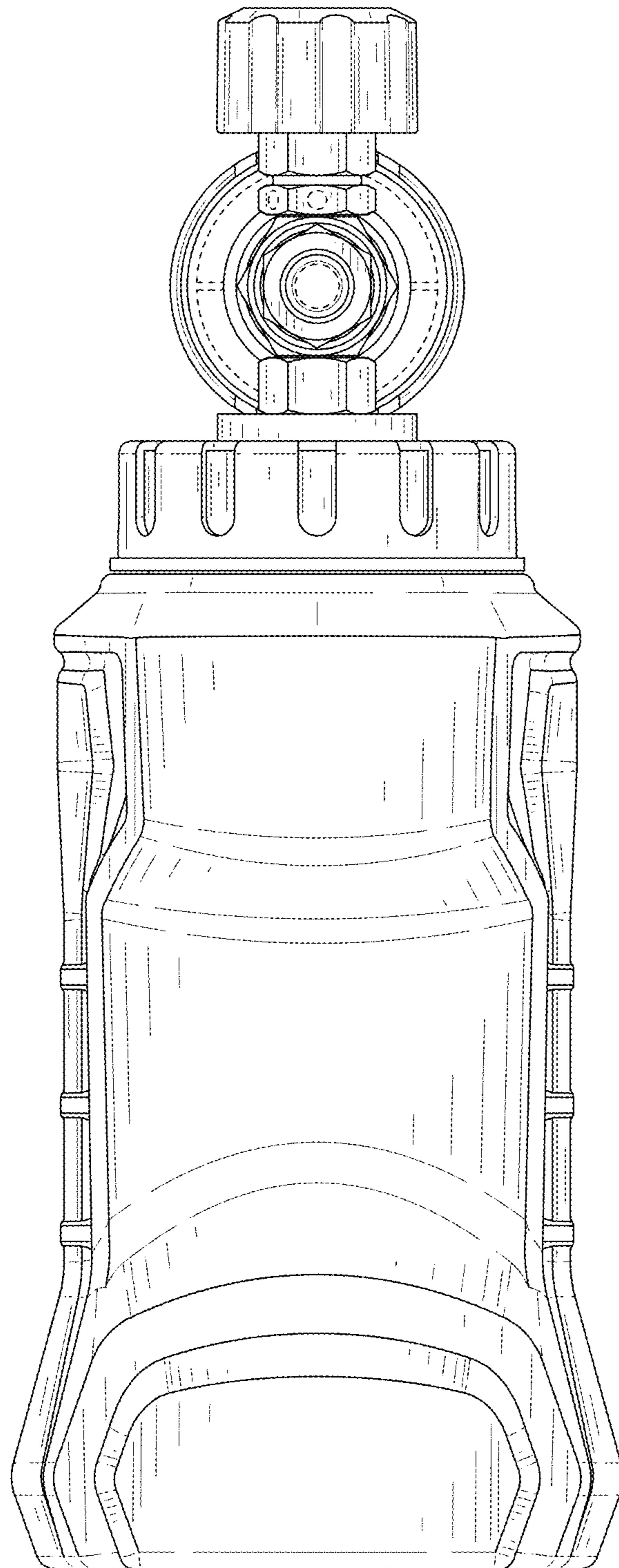


FIG. 4

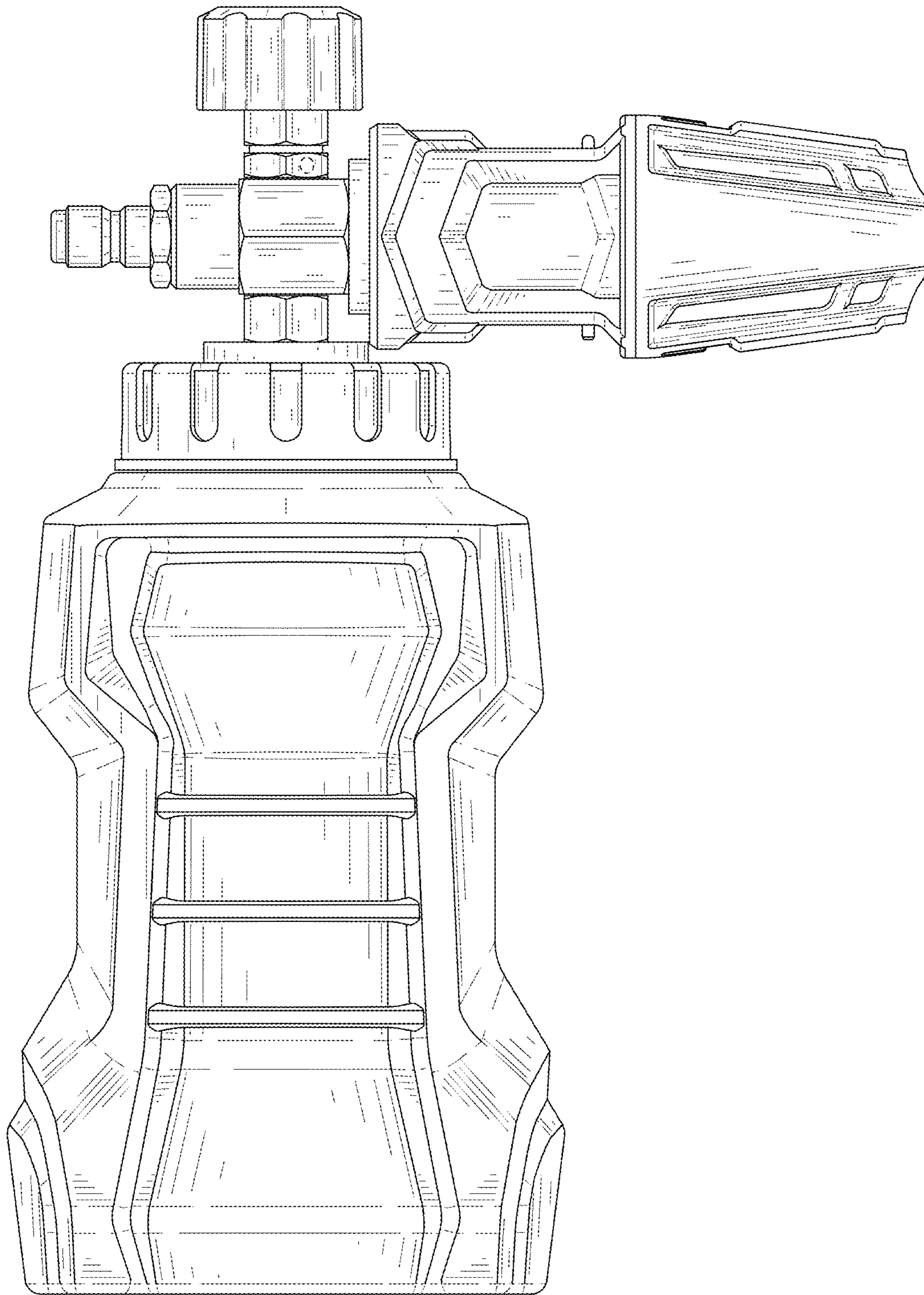


FIG. 5

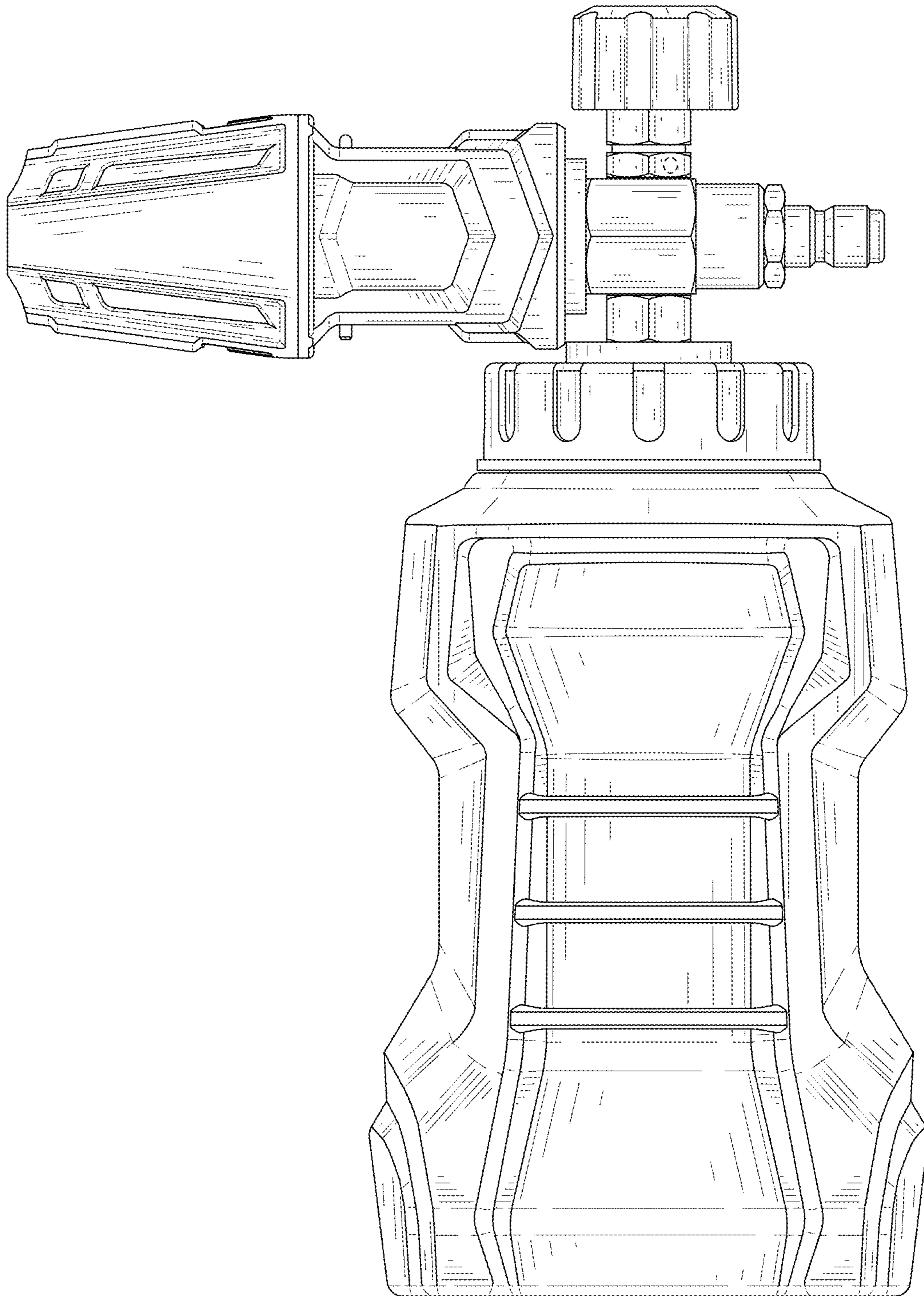


FIG. 6

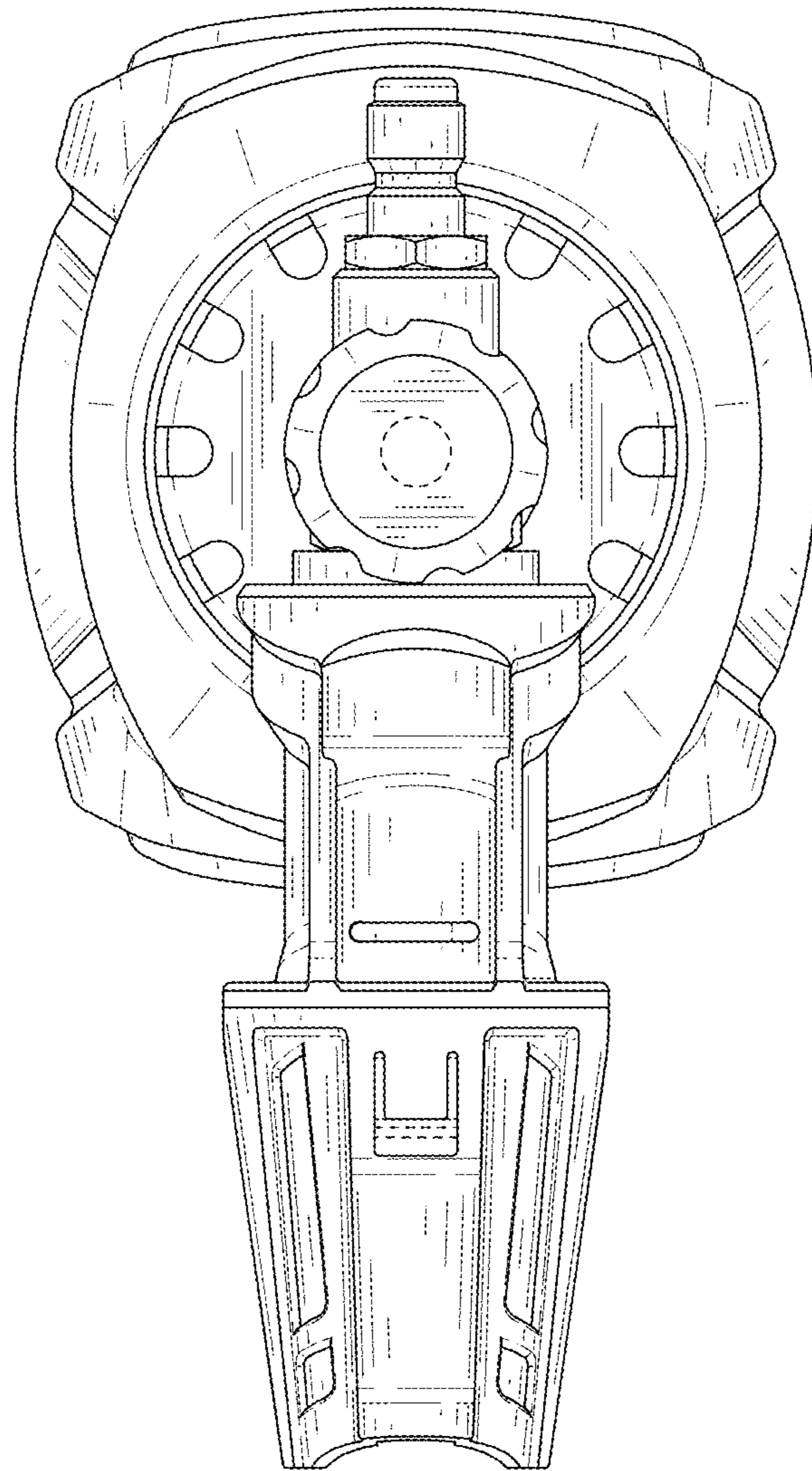


FIG. 7

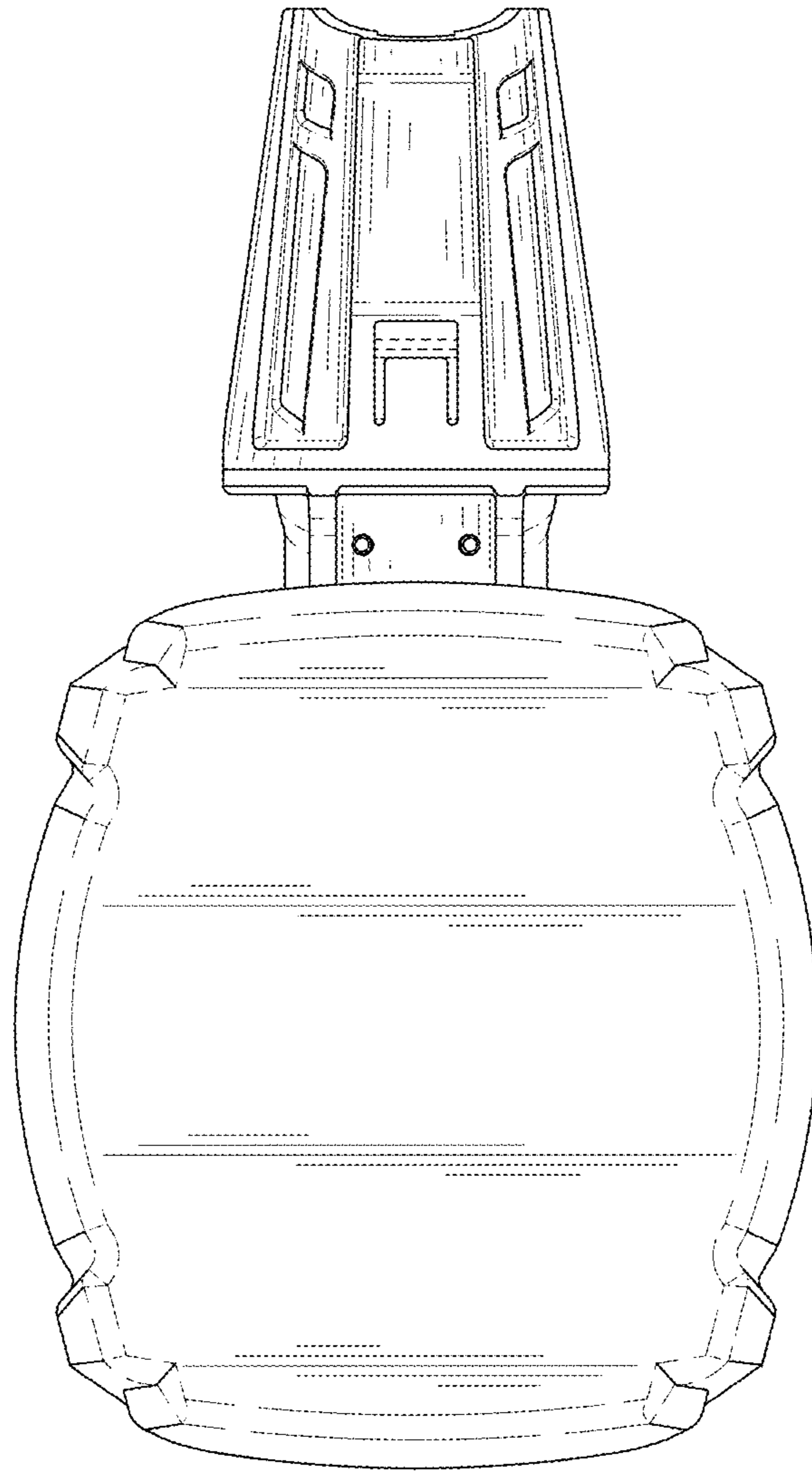


FIG. 8