



US00D974525S

(12) **United States Design Patent**  
**Stein**

(10) **Patent No.:** **US D974,525 S**

(45) **Date of Patent:** **\*\* Jan. 3, 2023**

(54) **FAUCET STREAM STRAIGHTENER**

(71) Applicant: **Neoperl GmbH**, Mullheim (DE)

(72) Inventor: **Alexander Stein**, Ihringen (DE)

(73) Assignee: **Neoperl GmbH**, Müllheim (DE)

(\*\*) Term: **15 Years**

(21) Appl. No.: **35/511,525**

(22) Filed: **Feb. 23, 2021**

(80) **Hague Agreement Data**

Int. Filing Date: **Feb. 23, 2021**

Int. Reg. No.: **DM/212951**

Int. Reg. Date: **Feb. 23, 2021**

Int. Reg. Pub. Date: **Mar. 12, 2021**

(51) **LOC (14) Cl.** ..... **23-01**

(52) **U.S. Cl.**  
USPC ..... **D23/213**

(58) **Field of Classification Search**

USPC ..... D23/213, 229, 233, 235, 247-249, 264

CPC ..... B05B 7/0425; E03C 1/08; E03C 1/084;

E03C 1/086; E03C 2001/026

See application file for complete search history.

(56) **References Cited**

**U.S. PATENT DOCUMENTS**

D684,241 S \* 6/2013 Tempel ..... D23/213  
D752,710 S \* 3/2016 Tempel ..... D23/213

D776,240 S \* 1/2017 Huang ..... D23/213  
D776,242 S \* 1/2017 Blum ..... D23/213  
D822,159 S \* 7/2018 Tempel ..... D23/213  
D833,572 S \* 11/2018 Wu ..... D23/213  
D844,748 S \* 4/2019 Schürle ..... D23/213  
D898,163 S \* 10/2020 Tempel ..... D23/213

\* cited by examiner

*Primary Examiner* — Keli L Hill

(74) *Attorney, Agent, or Firm* — Volpe Koenig

(57) **CLAIM**

The ornamental design for a faucet stream straightener, as shown and described.

**DESCRIPTION**

1. Faucet stream straightener

1.1 : Top

1.2 : Perspective

1.3 : Bottom

1.4 : Perspective

1.5 : Left

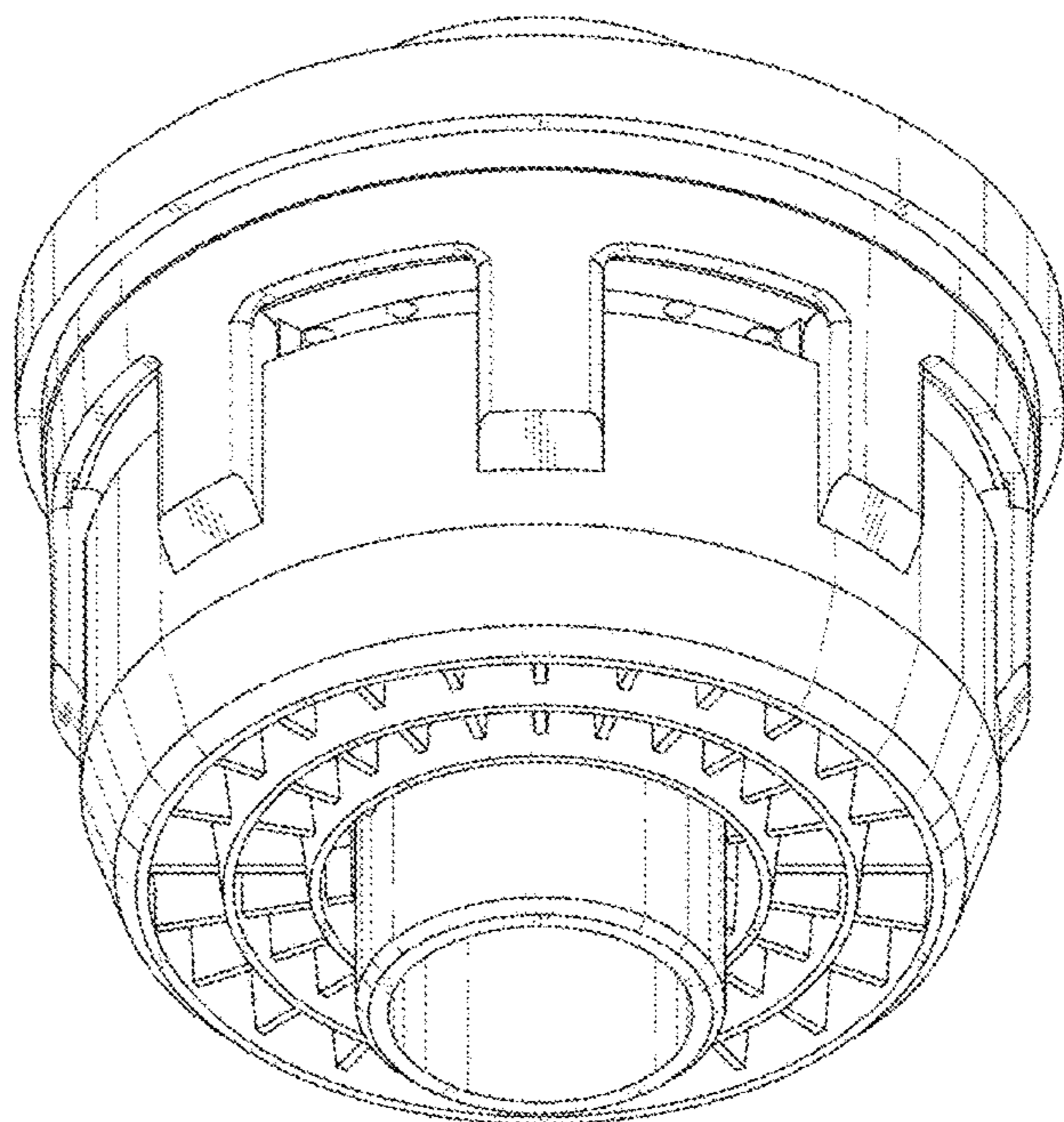
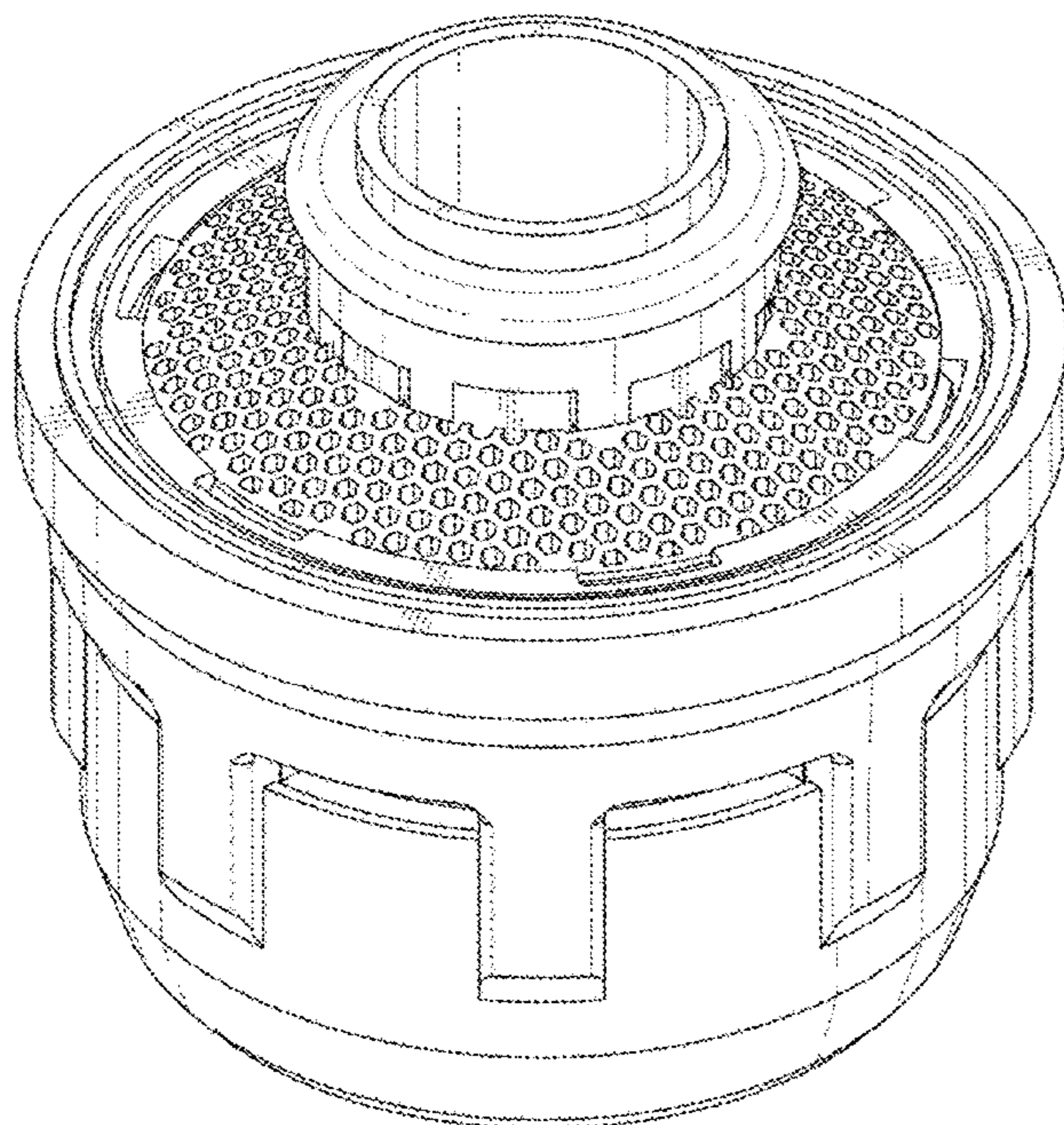
1.6 : Front

1.7 : Right

1.8 : Back

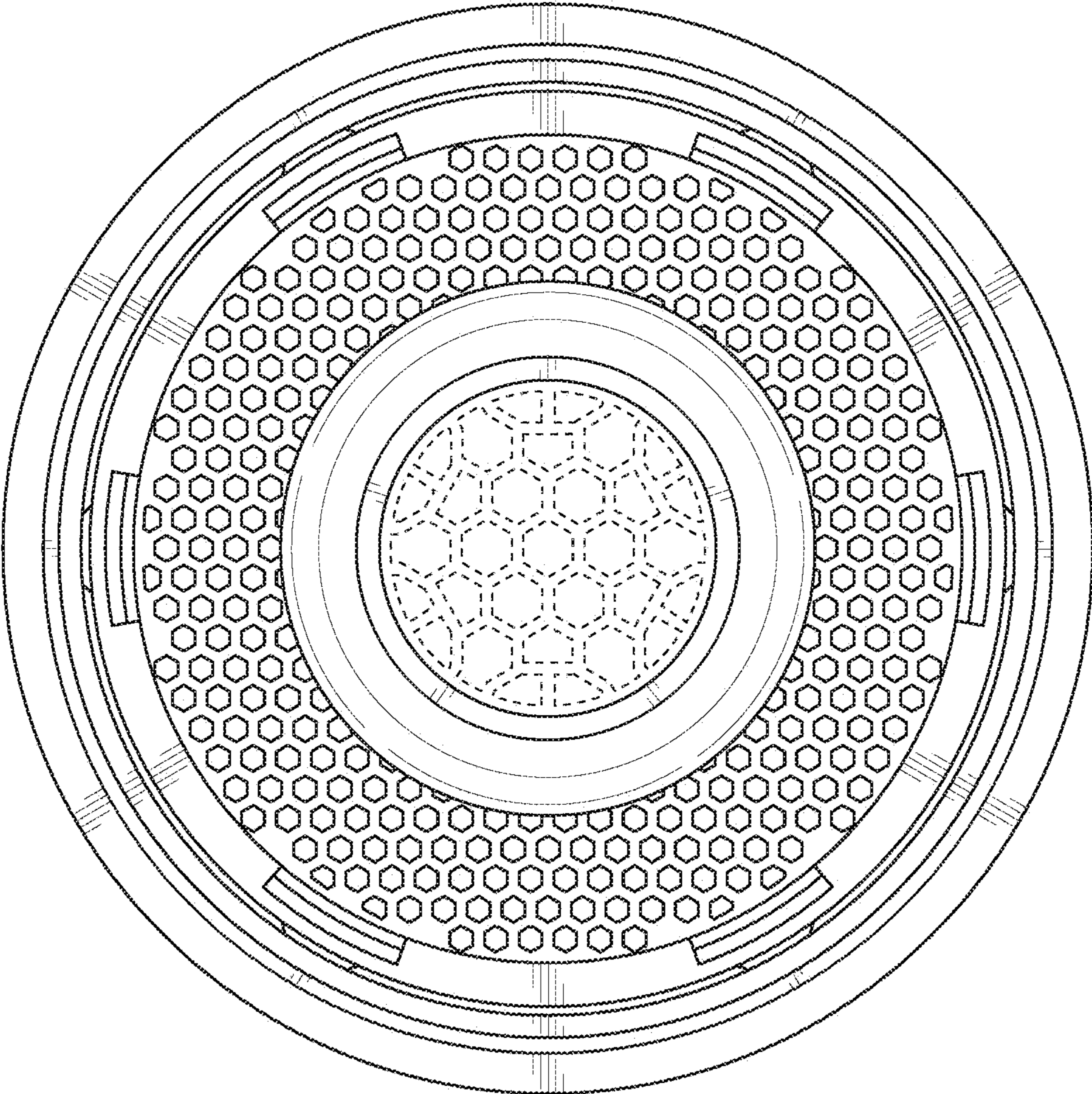
The broken lines represent portions of the faucet stream straightener in which the design is embodied that form no part of the claimed design.

**1 Claim, 8 Drawing Sheets**

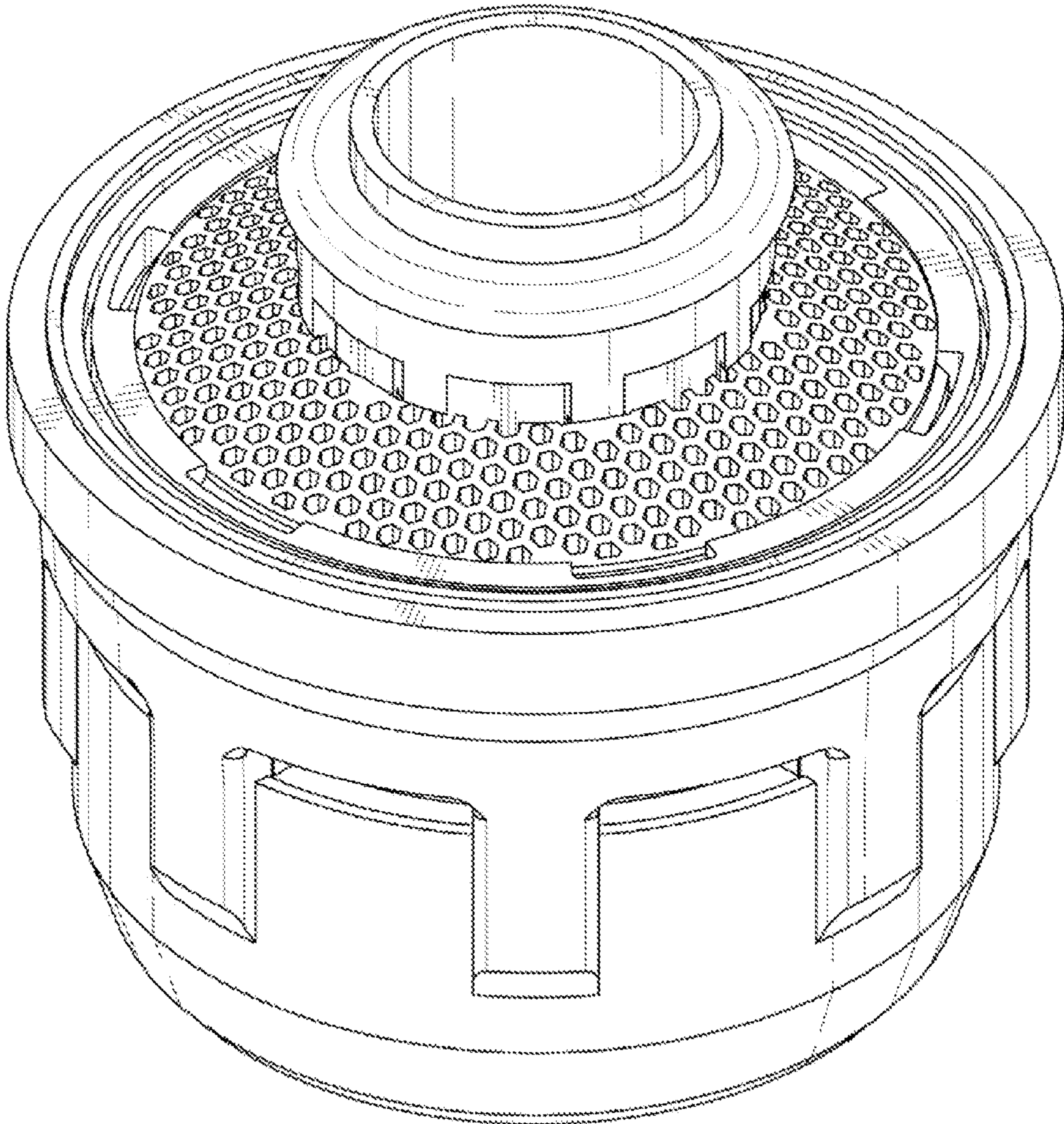




1.1

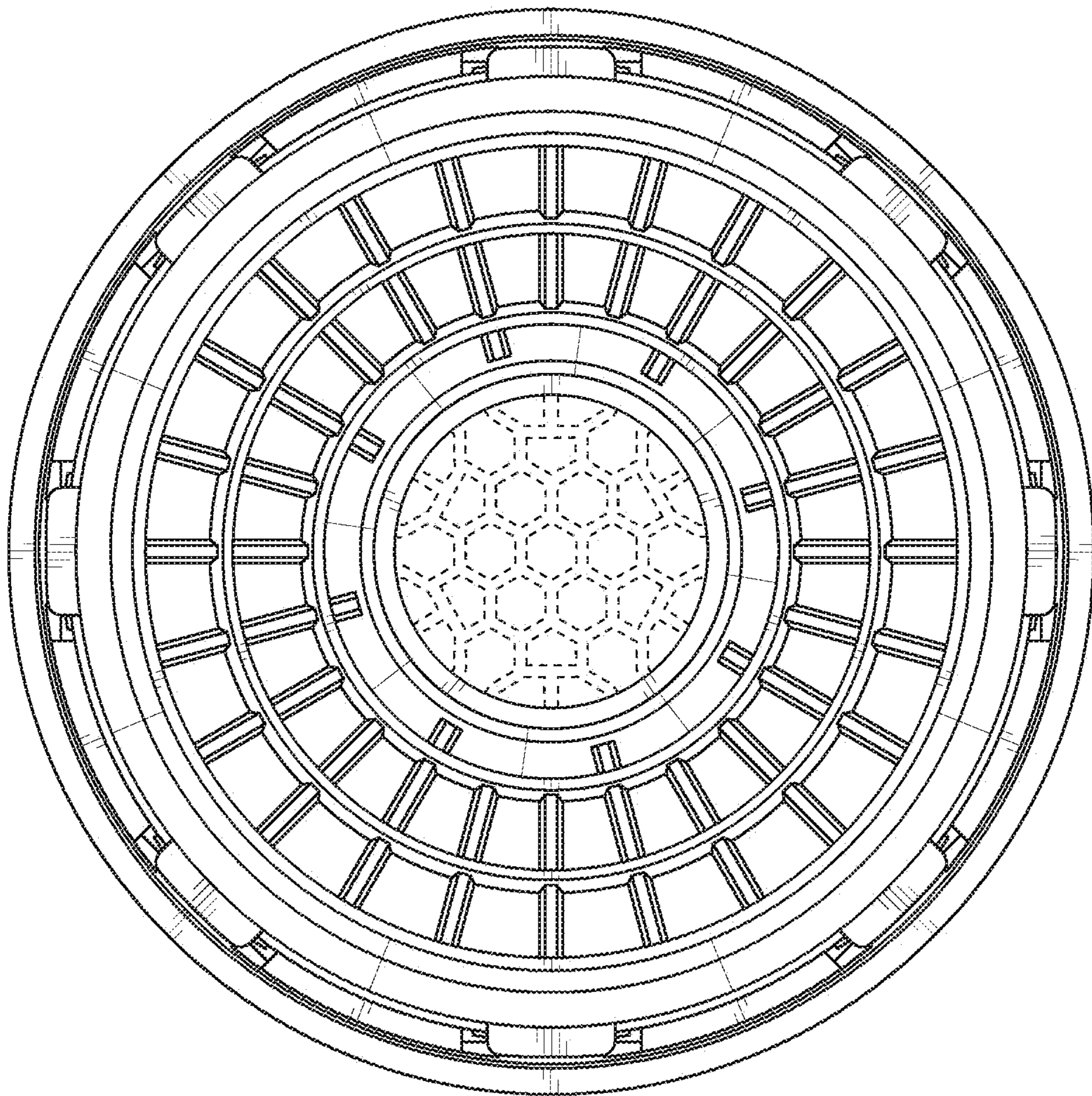


1.2

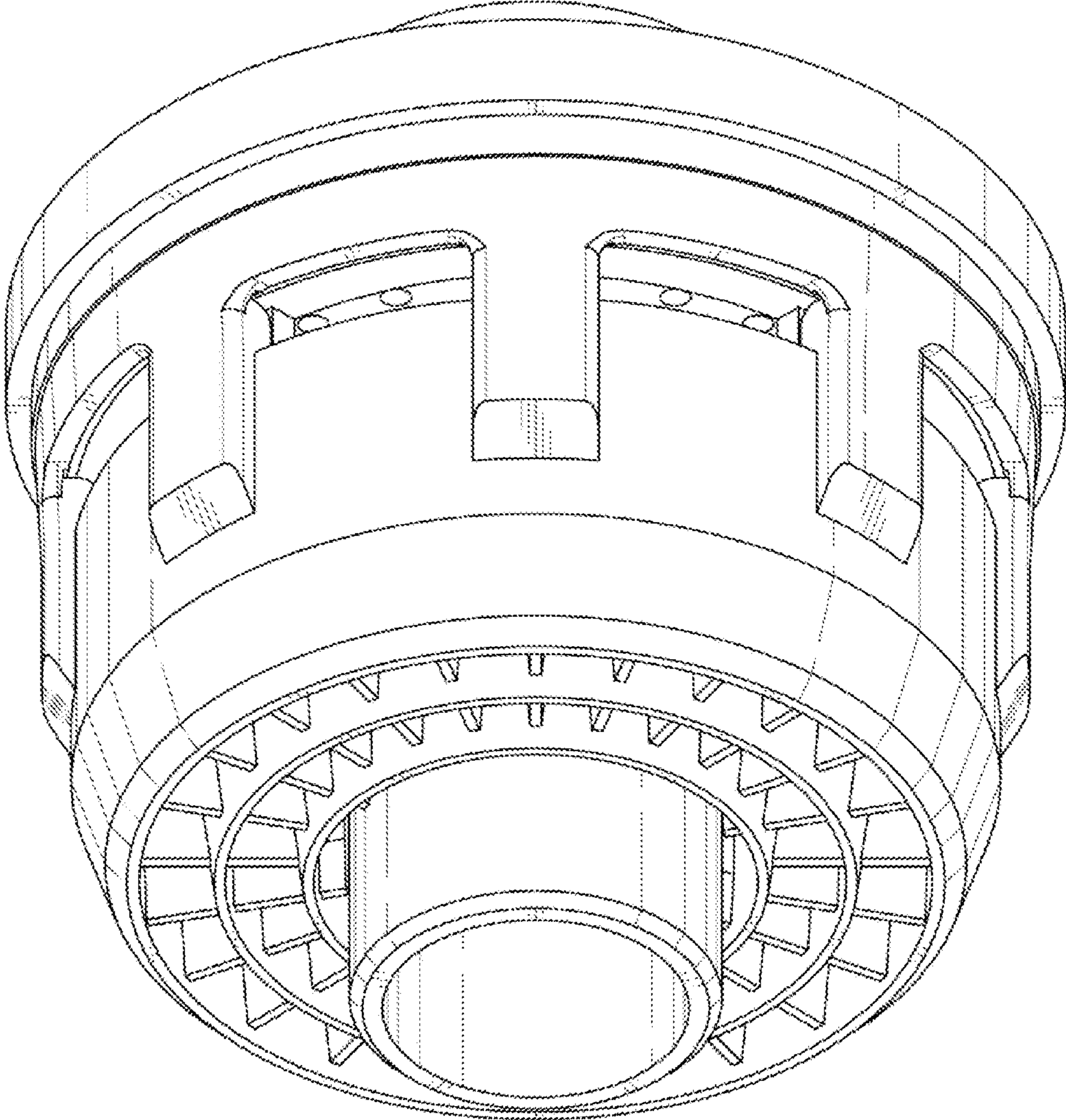




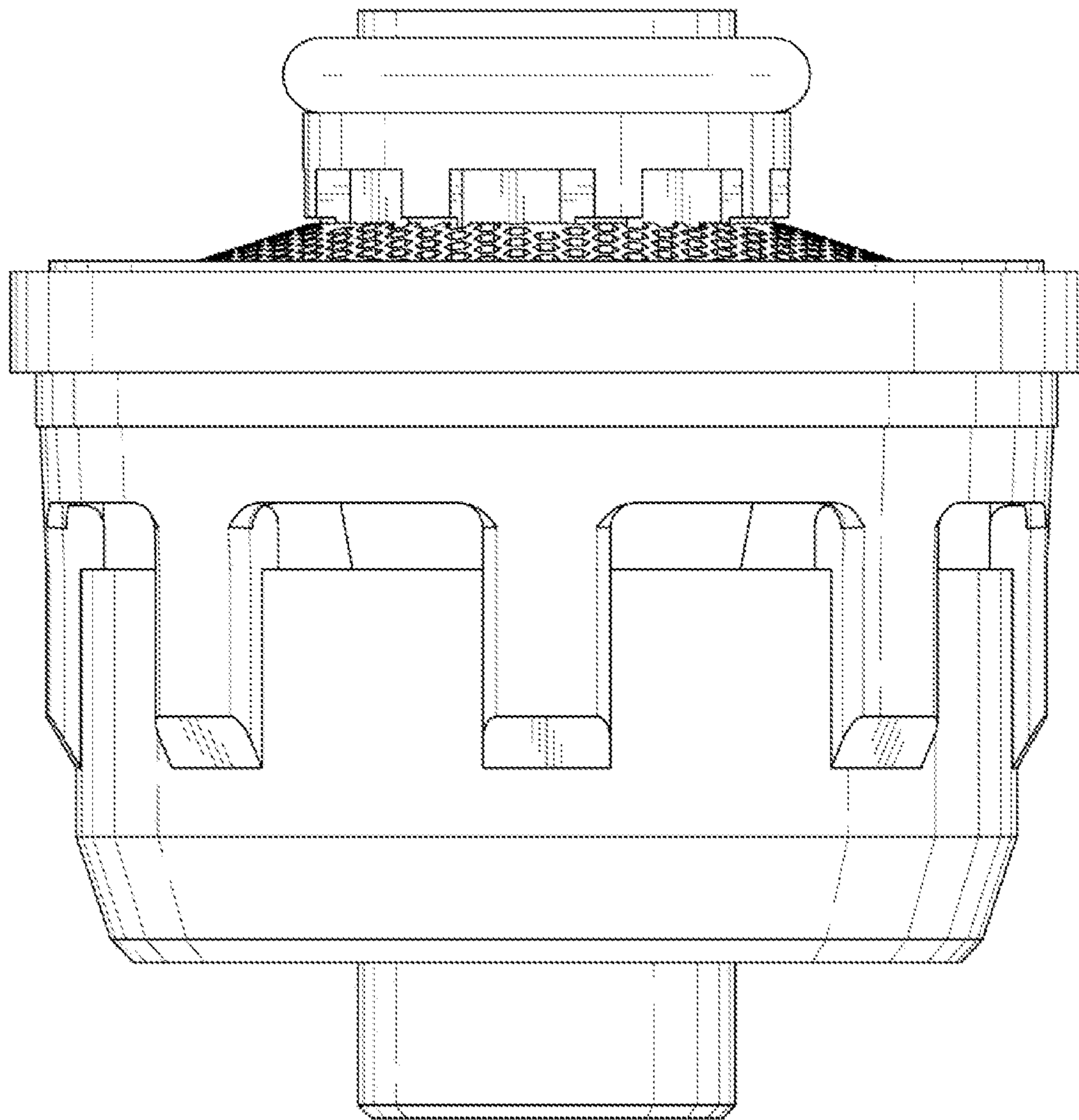
1.3



1.4

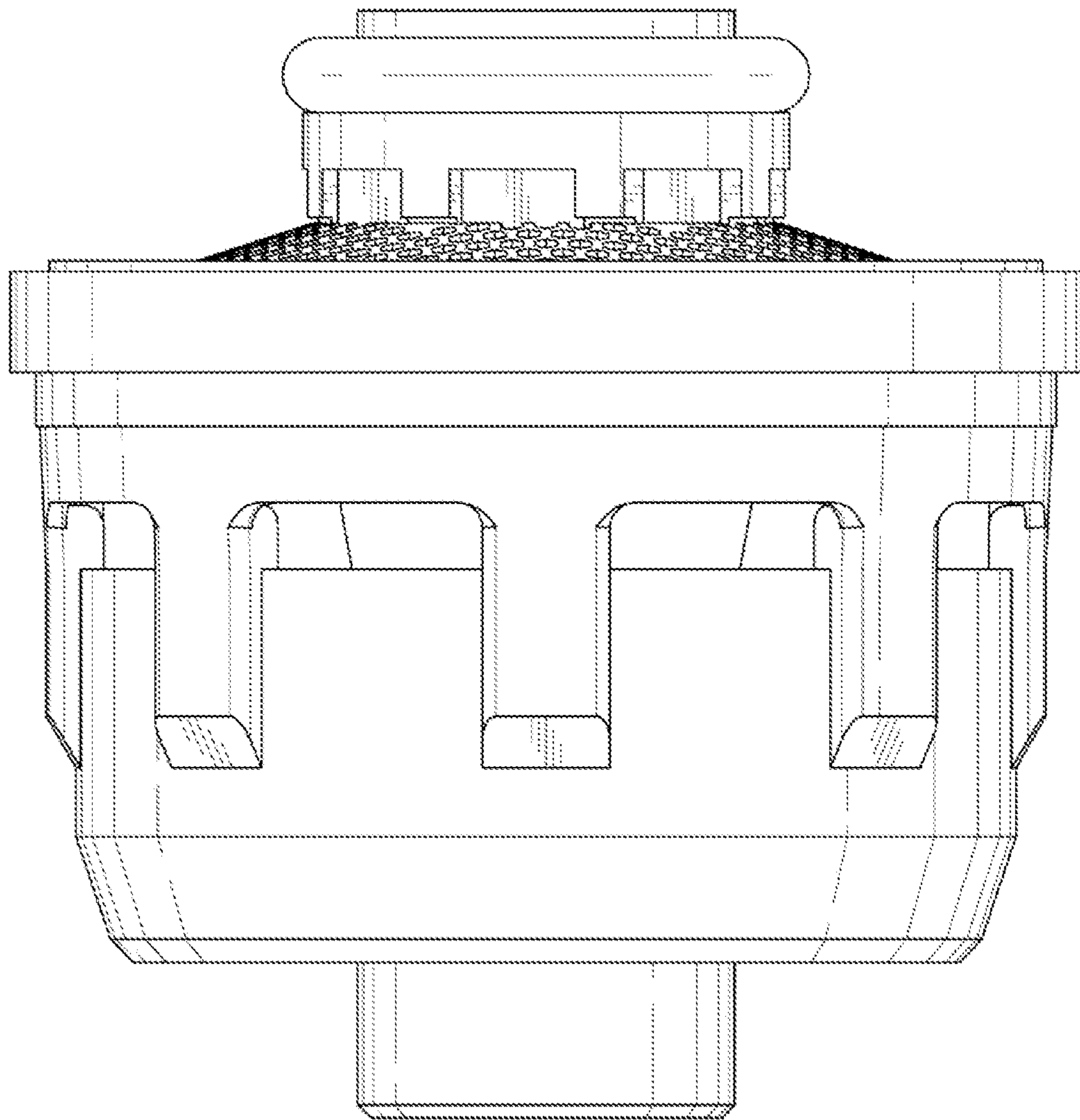


1.5

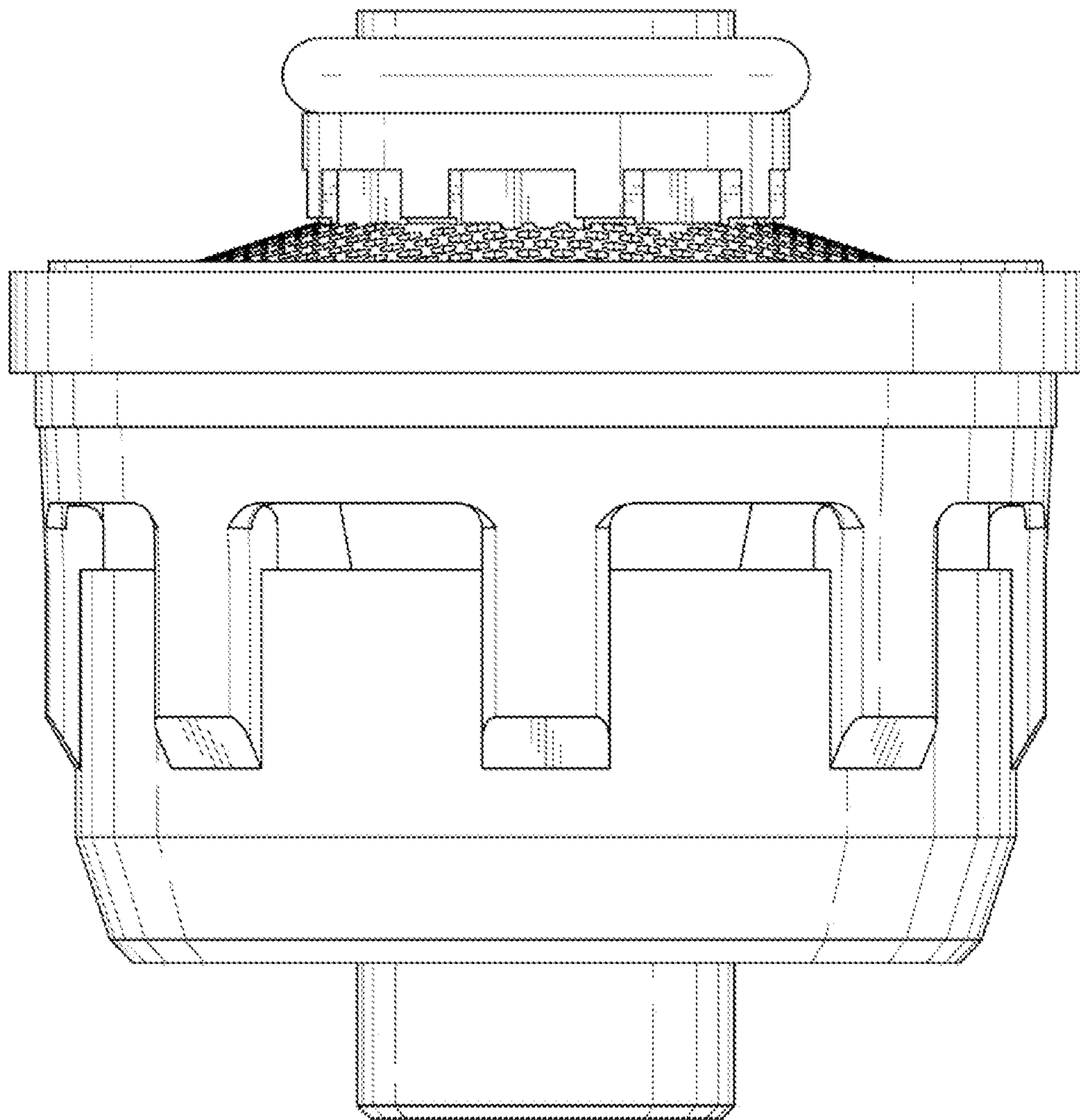




1.6



1.7





1.8

