



US00D974524S

(12) **United States Design Patent**
Ambs et al.

(10) **Patent No.:** **US D974,524 S**
(45) **Date of Patent:** **** Jan. 3, 2023**

- (54) **AEROSOL SAMPLING SYSTEM CARTRIDGE**
- (71) Applicants: **THERMO ENVIRONMENTAL INSTRUMENTS LLC**, Franklin, MA (US); **LIFE TECHNOLOGIES CORPORATION**, Carlsbad, CA (US)
- (72) Inventors: **Jeffrey Ambs**, Foxborough, MA (US); **Robert Bailey**, Bellingham, MA (US); **Emily Pearce**, Somerville, MA (US)
- (73) Assignees: **THERMO ENVIRONMENTAL INSTRUMENTS LLC**, Franklin, MA (US); **LIFE TECHNOLOGIES CORPORATION**, Carlsbad, CA (US)
- (**) Term: **15 Years**
- (21) Appl. No.: **29/767,251**
- (22) Filed: **Jan. 21, 2021**
- (51) **LOC (14) Cl.** **23-01**
- (52) **U.S. Cl.**
USPC **D23/209**
- (58) **Field of Classification Search**
USPC D23/207-209, 365
CPC G01N 2001/2223; G01N 1/2208
See application file for complete search history.

- D448,448 S * 9/2001 Hughes D23/209
 - 6,422,832 B1 * 7/2002 Wang F04B 33/00
417/536
 - 6,688,187 B1 * 2/2004 Masquelier G01N 1/2214
73/863.22
 - D496,986 S * 10/2004 King D23/209
 - 8,522,665 B2 * 9/2013 Holt F04B 33/005
92/58.1
 - D691,252 S * 10/2013 Moredock D23/365
 - 9,267,499 B2 * 2/2016 Chu F04B 33/005
 - D886,976 S * 6/2020 Horner D23/365
 - D945,560 S * 3/2022 Du D23/209
 - 11,293,419 B2 * 4/2022 Wang F04B 25/02
- (Continued)

- (56) **References Cited**
U.S. PATENT DOCUMENTS
- 4,571,079 A * 2/1986 Knollenberg G01N 21/53
356/336
- 4,902,318 A * 2/1990 Stevens G01N 1/2208
55/320
- D410,274 S * 5/1999 Bradshaw D23/209
- D411,282 S * 6/1999 King D23/209
- D419,231 S * 1/2000 Zito D23/209
- D444,536 S * 7/2001 Farley D23/209

OTHER PUBLICATIONS

Graco 288749 60-Mesh SG20/SG Pro Airless Spray Gun Filter, Mar. 27, 2009, amazon.ca, Feb. 10, 2022, URL: <https://www.amazon.ca/Graco-288749-60-Mesh-Airless-Filter/dp/B0021MVK4U/> (Year: 2009).*

(Continued)

Primary Examiner — Keith J Wilson

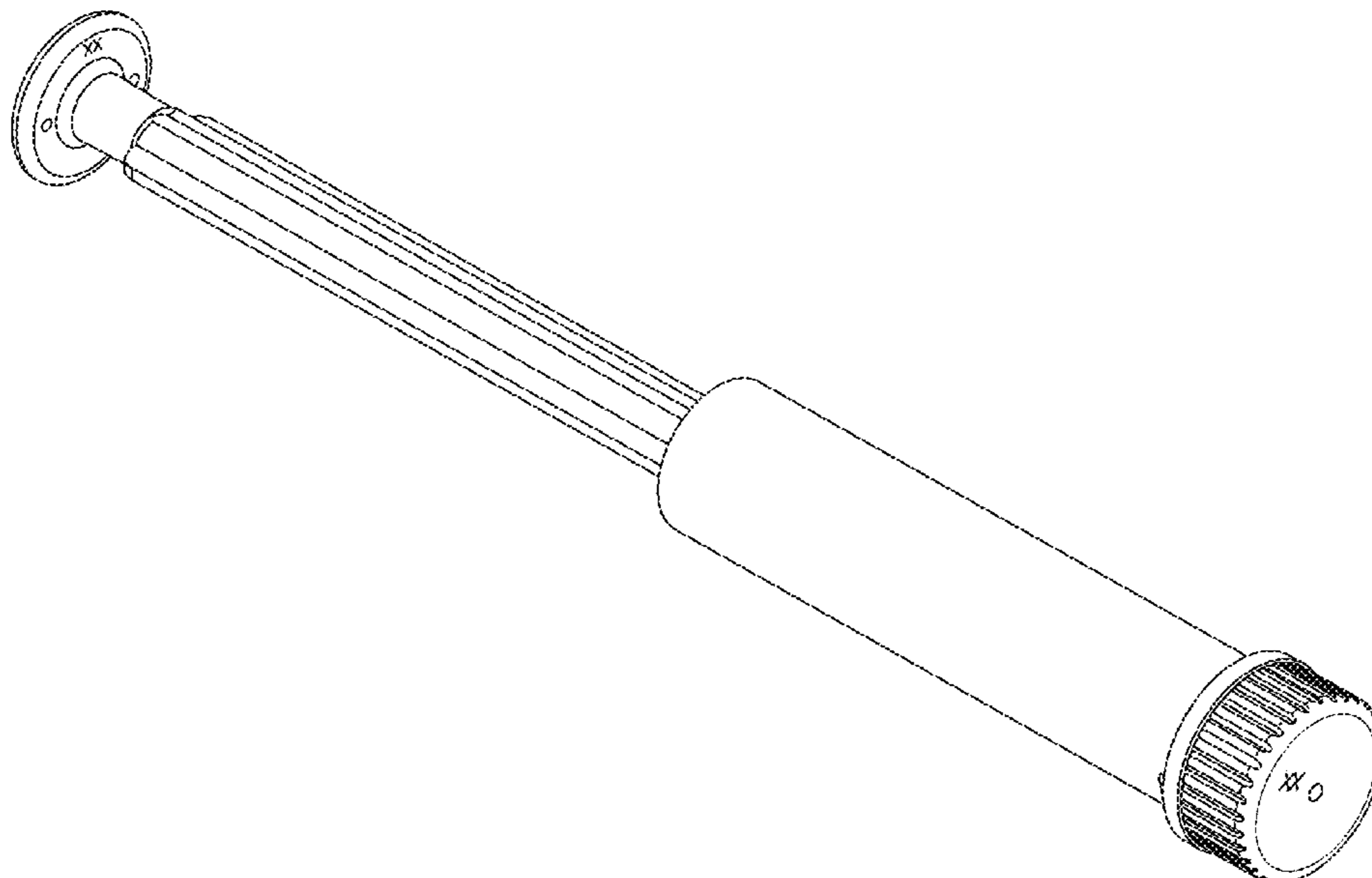
(57) **CLAIM**

The ornamental design for an aerosol sampling system cartridge, substantially as shown and described.

DESCRIPTION

FIG. 1 is an isometric view of a first embodiment of an aerosol sampling system cartridge with an opaque tube; FIG. 2 is a top elevation view of the first embodiment of the aerosol sampling system cartridge with an opaque tube; FIG. 3 is a side elevation view of the first embodiment of the aerosol sampling system cartridge with an opaque tube; and, FIG. 4 is an isometric view of a first embodiment of an aerosol sampling system cartridge with an opaque tube and the cap removed.

1 Claim, 4 Drawing Sheets



(56)

References Cited

U.S. PATENT DOCUMENTS

11,333,138 B2 * 5/2022 Wu F04B 27/005
11,371,495 B2 * 6/2022 Werner F04B 39/10
D958,931 S * 7/2022 Li D23/209
D958,932 S * 7/2022 Li D23/209
D960,285 S * 8/2022 Higaki D23/207
D960,290 S * 8/2022 Higaki D23/209
D961,042 S * 8/2022 Zou D23/209
D961,043 S * 8/2022 Wei D23/209
2014/0007708 A1 * 1/2014 Hartman G01N 1/2208
73/863.21
2016/0144676 A1 * 5/2016 Neir A63B 41/02
137/228
2017/0239425 A1 * 8/2017 Castanon A61M 5/3293
2020/0300232 A1 * 9/2020 Wang F04B 29/00

OTHER PUBLICATIONS

Contractor Magnum SG2, SG3 Spray Gun Filter, Oct. 21, 2017,
amazon.ca, Feb. 10, 2022, URL: [https://www.amazon.ca/218133-Aftermarket-Airless-Filter-Contractor/dp/B073LQRW5Y/\(Year:2017\).](https://www.amazon.ca/218133-Aftermarket-Airless-Filter-Contractor/dp/B073LQRW5Y/(Year:2017).)*

* cited by examiner

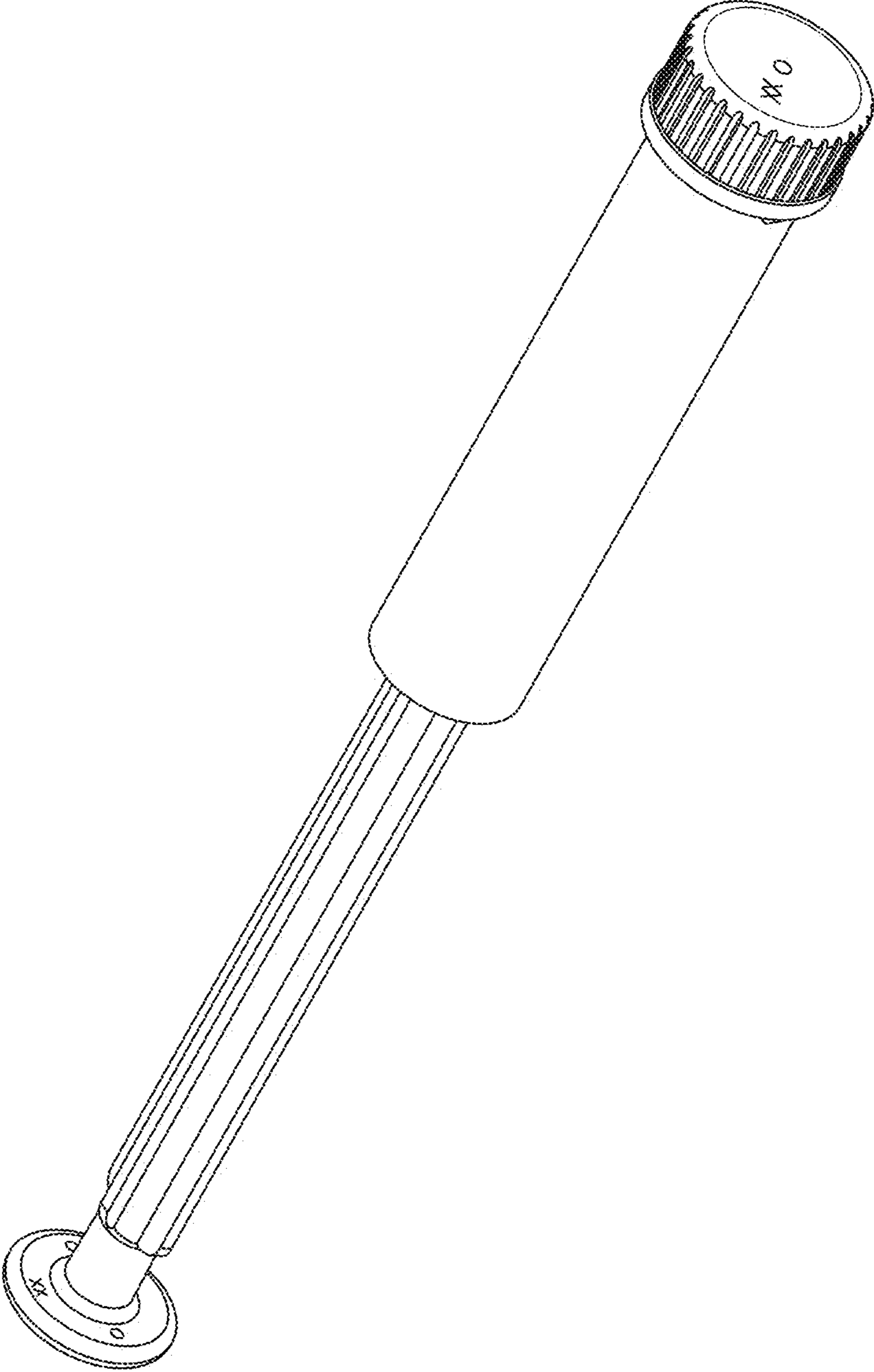


FIG. 1

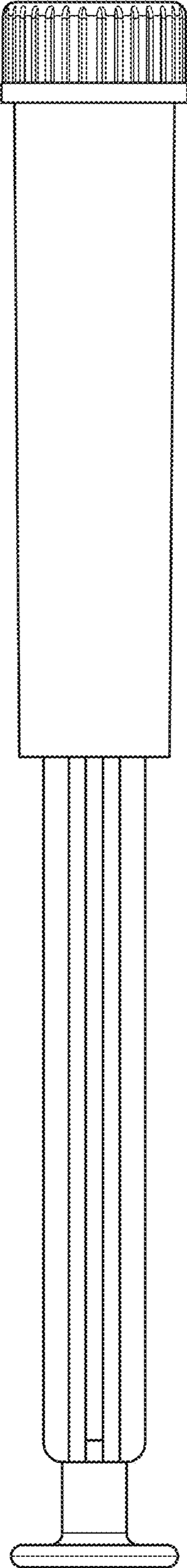


FIG. 2

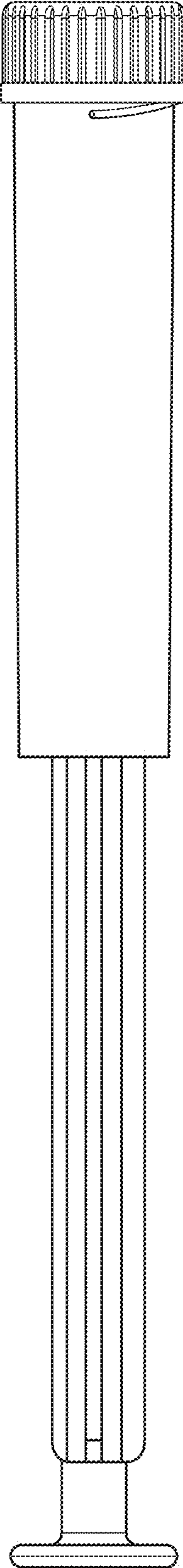


FIG. 3

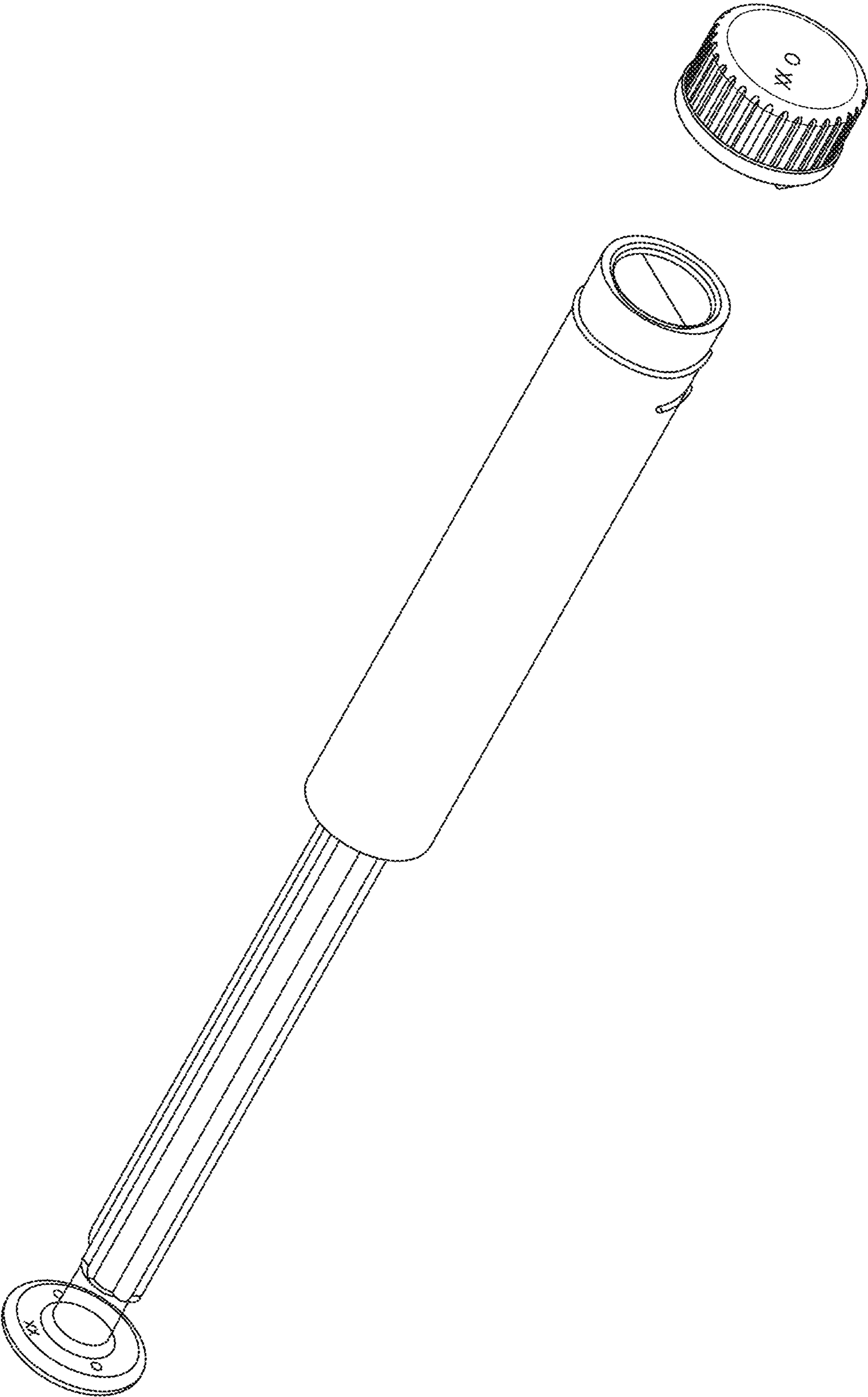


FIG. 4