



US00D974523S

(12) **United States Design Patent** (10) **Patent No.:** **US D974,523 S**
Liu (45) **Date of Patent:** **** Jan. 3, 2023**

(54) **DRINKING FOUNTAIN**
 (71) Applicant: **SHENZHEN QIANHAI HOMERUN SMART TECHNOLOGY CO., LTD.**, Shenzhen (CN)
 (72) Inventor: **Kun Liu**, Shenzhen (CN)
 (73) Assignee: **SHENZHEN QIANHAI HOMERUN SMART TECHNOLOGY CO., LTD.**, Shenzhen (CN)

D824,602 S * 7/2018 Danenberg D30/129
 D901,094 S * 11/2020 White A01K 7/005
 D907,865 S * 1/2021 Kim A01K 7/022
 D941,533 S * 1/2022 Mai D30/132
 D942,091 S * 1/2022 Jin D30/132
 D945,085 S * 3/2022 Tao D30/132
 D948,136 S * 4/2022 Xu D30/132
 D949,487 S * 4/2022 Tu D30/132
 D950,862 S * 5/2022 Wang D30/132
 D953,656 S * 5/2022 Wang D30/132
 D965,233 S * 9/2022 Gong D30/132

(Continued)

(**) Term: **15 Years**

(21) Appl. No.: **29/746,462**

(22) Filed: **Aug. 13, 2020**

(30) **Foreign Application Priority Data**

Apr. 23, 2020 (CN) 202030171437.8

(51) **LOC (14) Cl.** **23-01**

(52) **U.S. Cl.**
USPC **D23/200**

(58) **Field of Classification Search**
 USPC D23/202, 207, 209, 213, 222, 225,
 D23/255-256, 272, 273; D30/121-133
 CPC .. A01K 5/0114; A01K 5/0121; A01K 5/0135;
 A01K 7/005; A01K 7/00; A01K 39/02;
 F04B 23/00; F04B 23/02; Y10T
 137/86035; Y10T 137/8376
 See application file for complete search history.

(56) **References Cited**

U.S. PATENT DOCUMENTS

6,363,885 B1 * 4/2002 Akins A01K 5/0135
 119/51.01
 D648,492 S * 11/2011 Able D30/129
 D681,886 S * 5/2013 Paschall D30/129
 D735,420 S * 7/2015 Plant D30/131
 D738,679 S * 9/2015 Renforth D30/129
 D757,373 S * 5/2016 Breit D30/129

FOREIGN PATENT DOCUMENTS

GB 6106103 * 11/2020

OTHER PUBLICATIONS

Homerunpet fountain Aug. 18, 2021 found on Mar. 3, 2022 at: <https://www.amazon.com/dp/B09CYMXC2F> (Year: 2021).*

Primary Examiner — Karen S Acker
Assistant Examiner — Jonathan E Fiencke

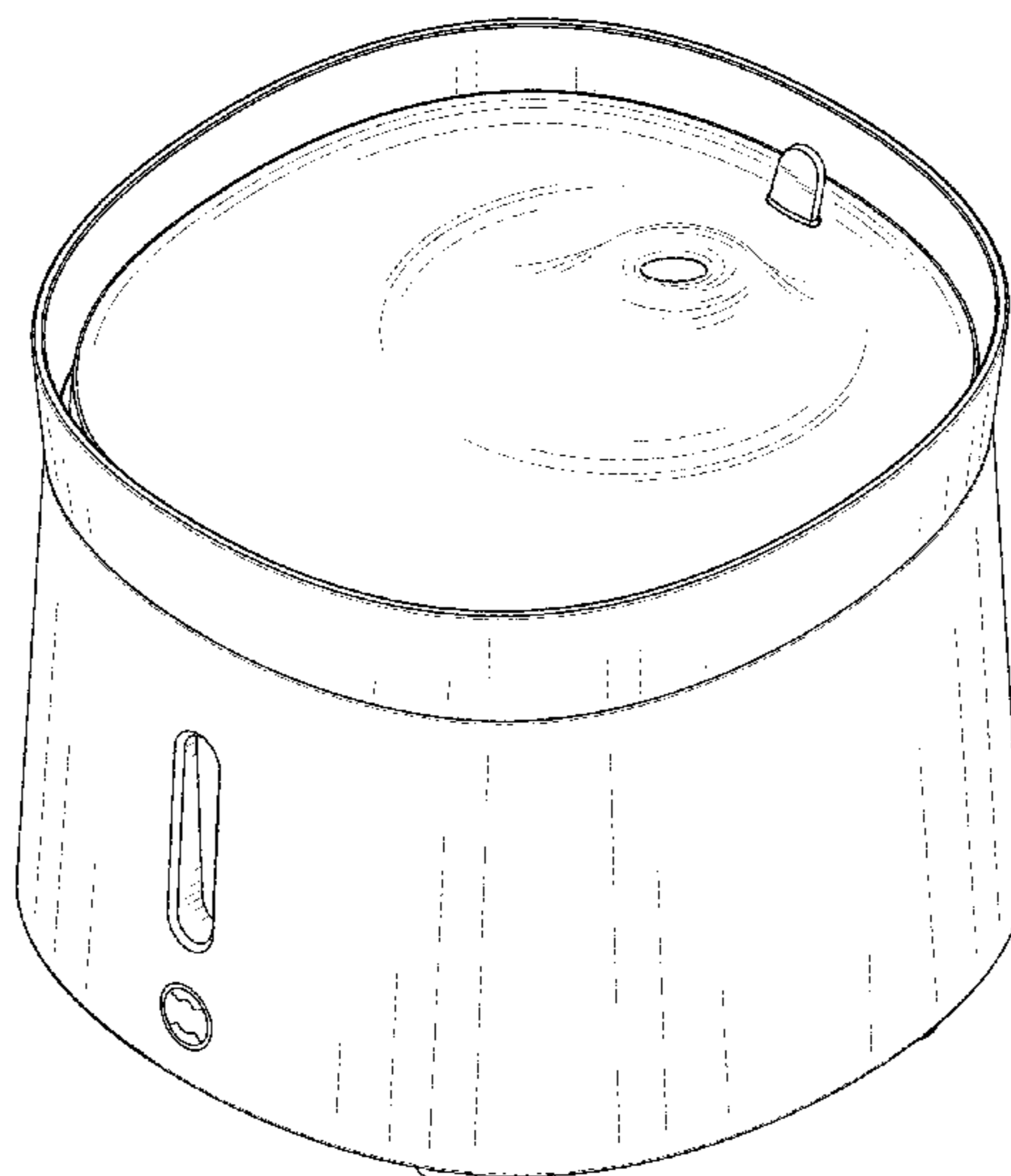
(57) **CLAIM**

The ornamental design for a drinking fountain, as shown and described.

DESCRIPTION

FIG. 1 is a perspective view of a drinking fountain showing my new design;
 FIG. 2 is a front view thereof;
 FIG. 3 is a rear view thereof;
 FIG. 4 is a left side view thereof;
 FIG. 5 is a right side view thereof;
 FIG. 6 is a top plan view thereof; and,
 FIG. 7 is a bottom plan view thereof.
 The broken lines depict portions of the drinking fountain that form no part of the claimed design.

1 Claim, 7 Drawing Sheets



(56)

References Cited

U.S. PATENT DOCUMENTS

2003/0098310 A1* 5/2003 McGee A01K 5/0135
220/574.3
2020/0086245 A1* 3/2020 Yoo A01K 7/005
2020/0087135 A1* 3/2020 Youn B01D 29/50
2020/0091769 A1* 3/2020 Yoo A01K 7/022

* cited by examiner

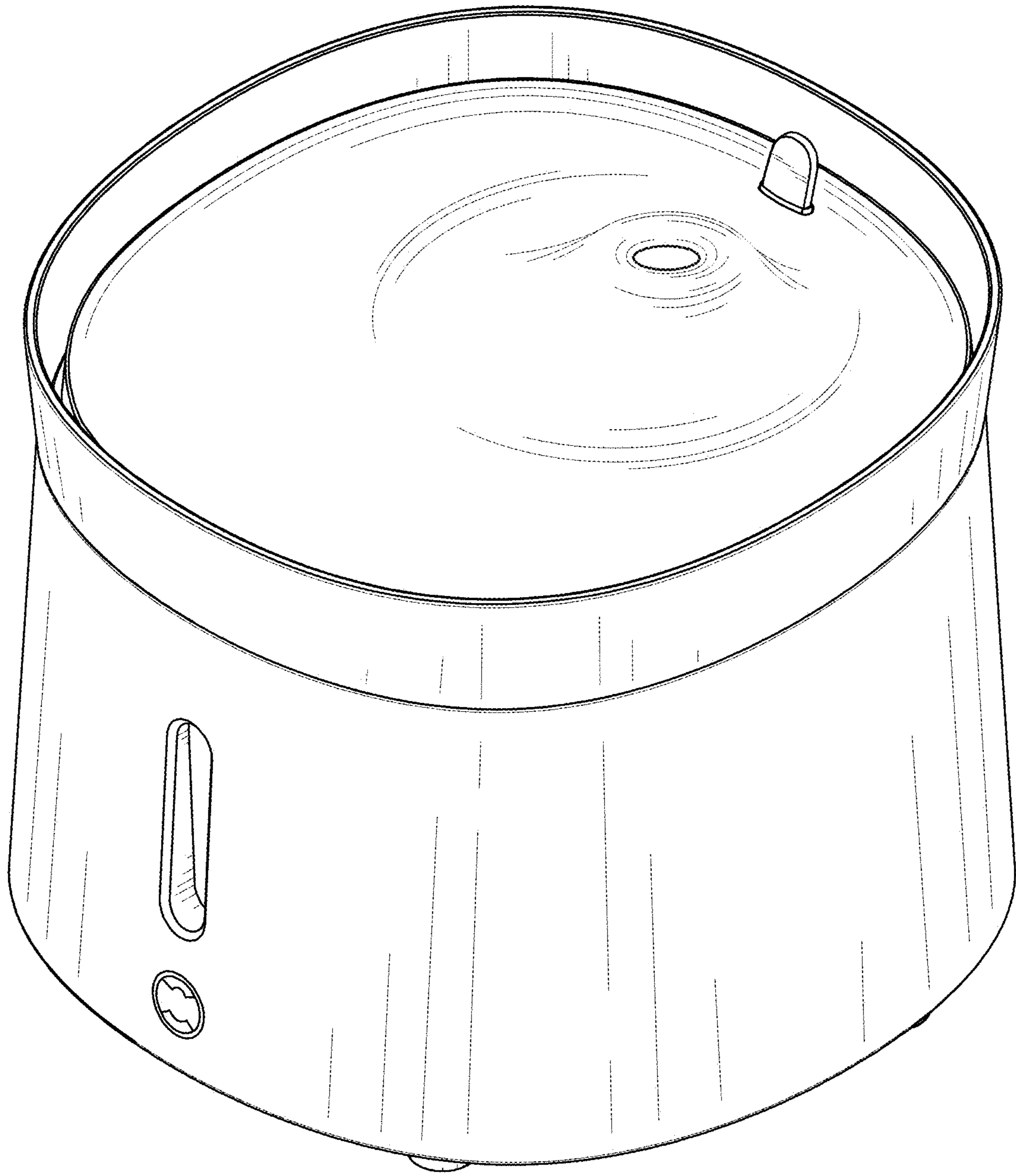


FIG. 1

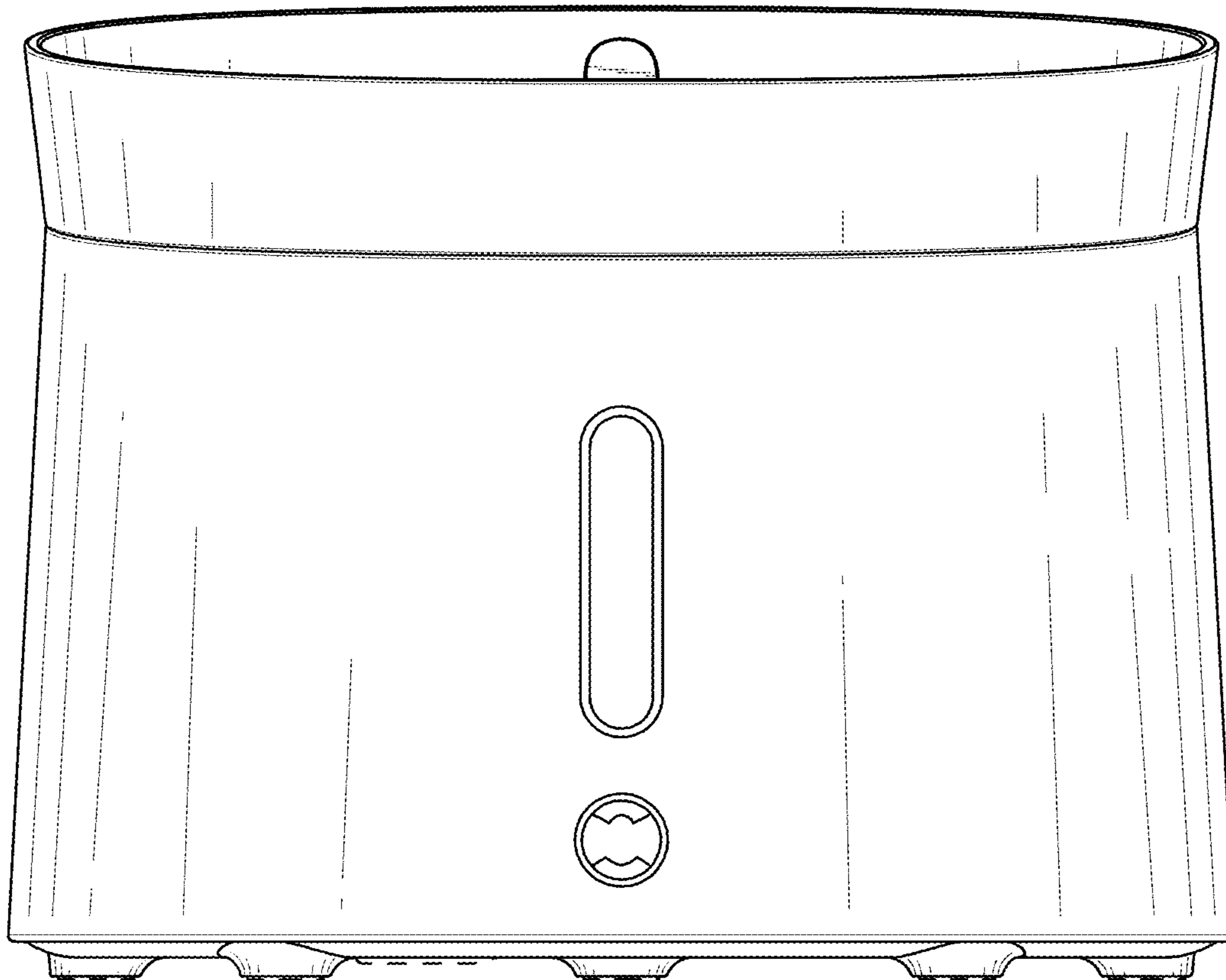


FIG. 2

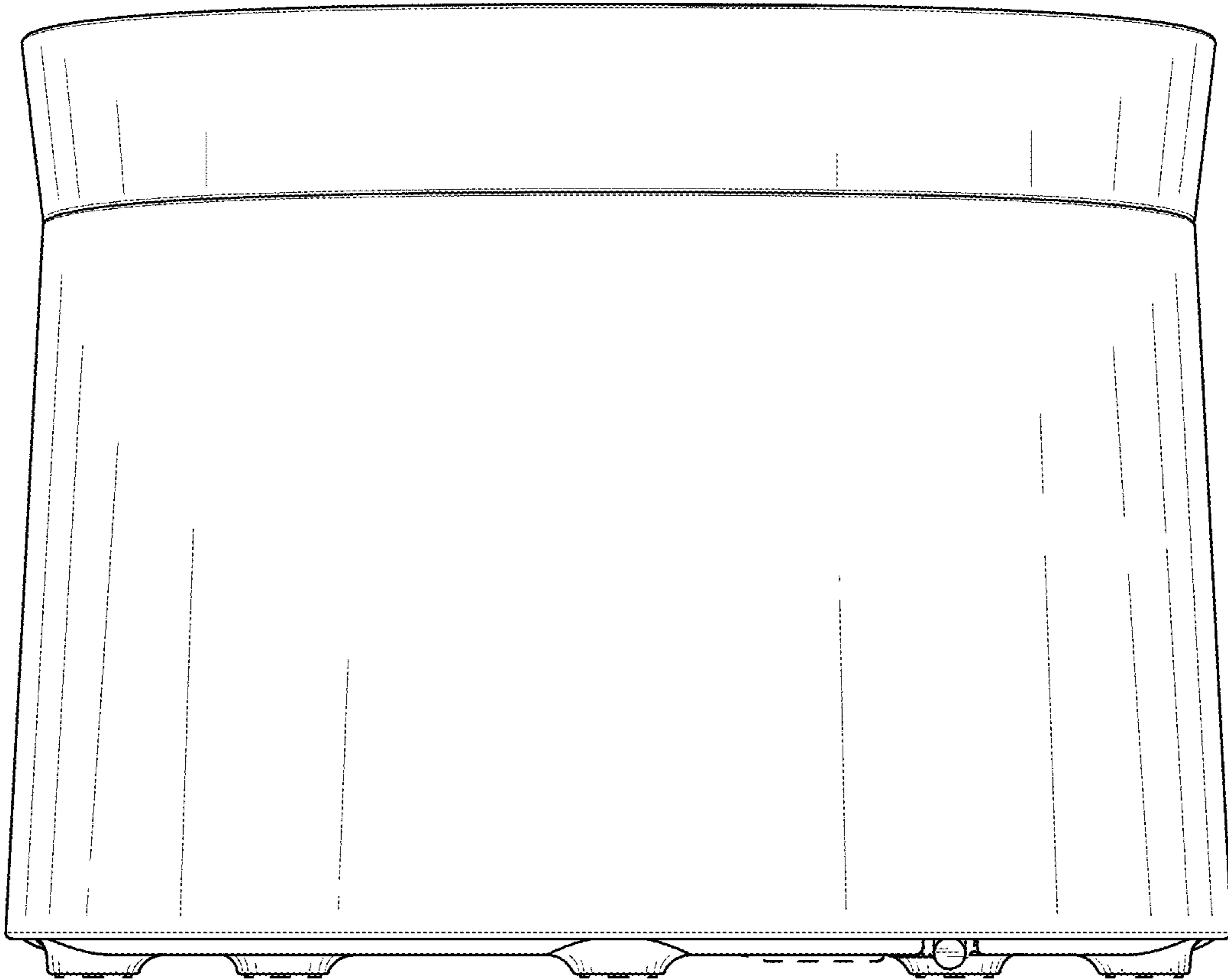


FIG. 3

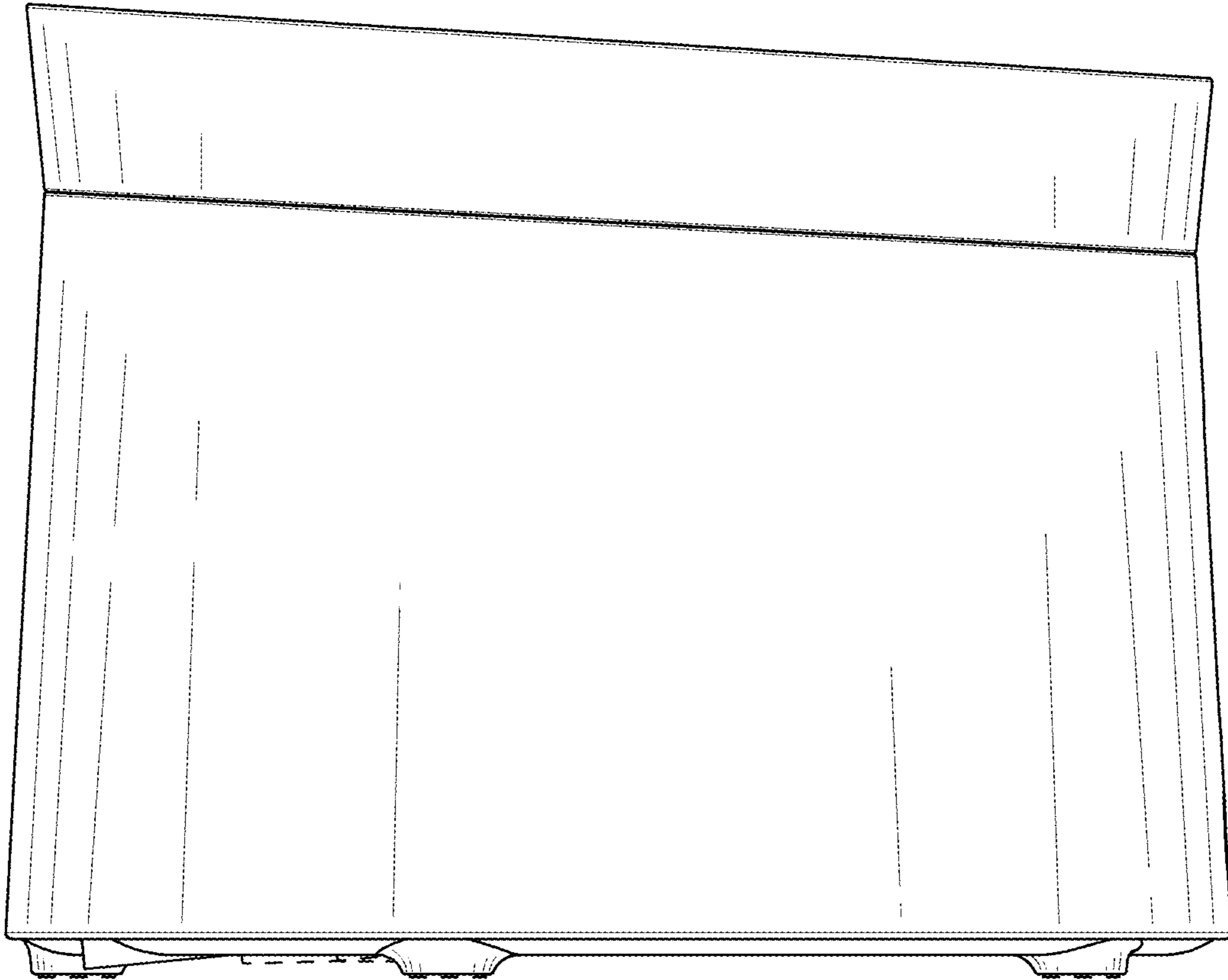


FIG. 4

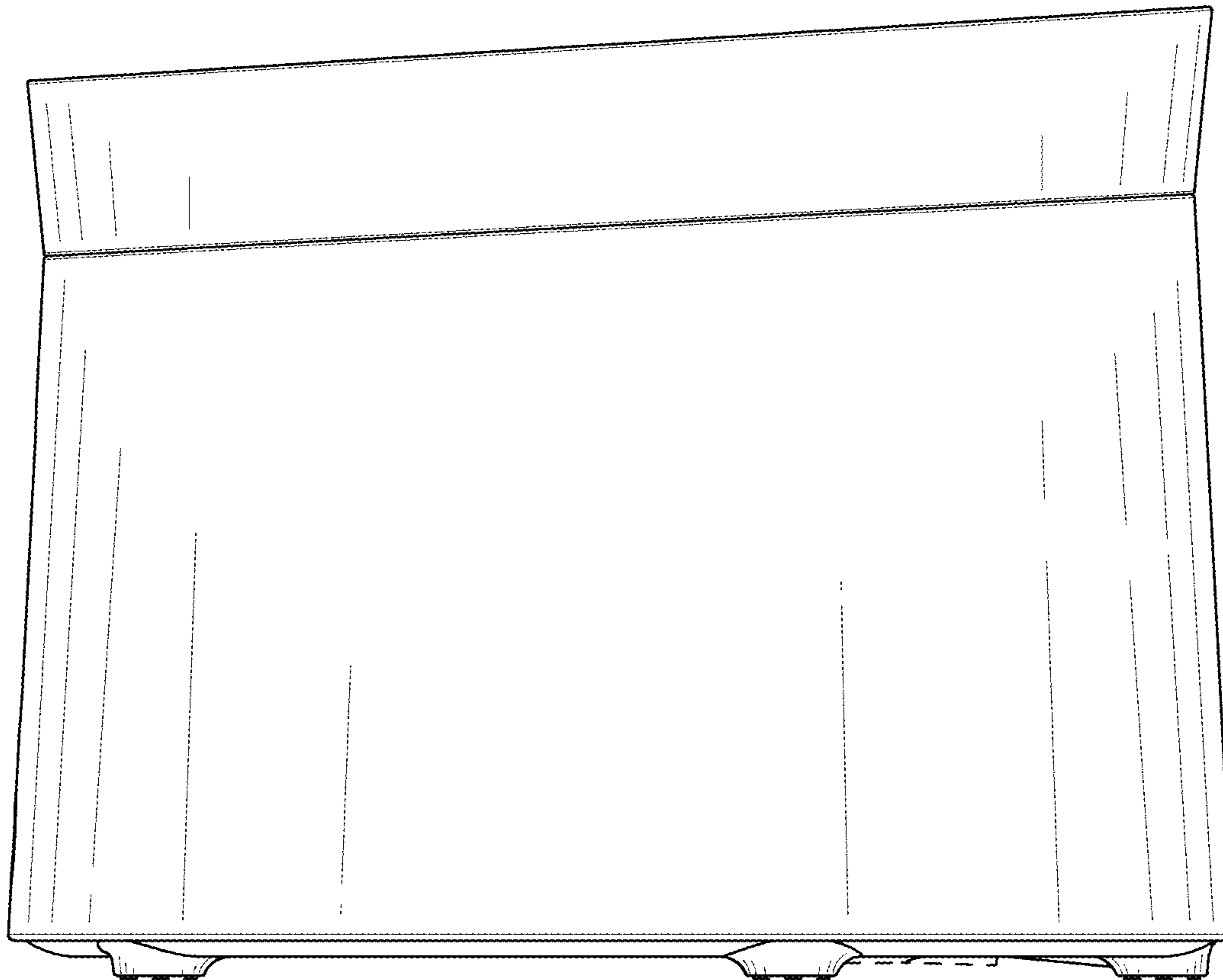


FIG. 5

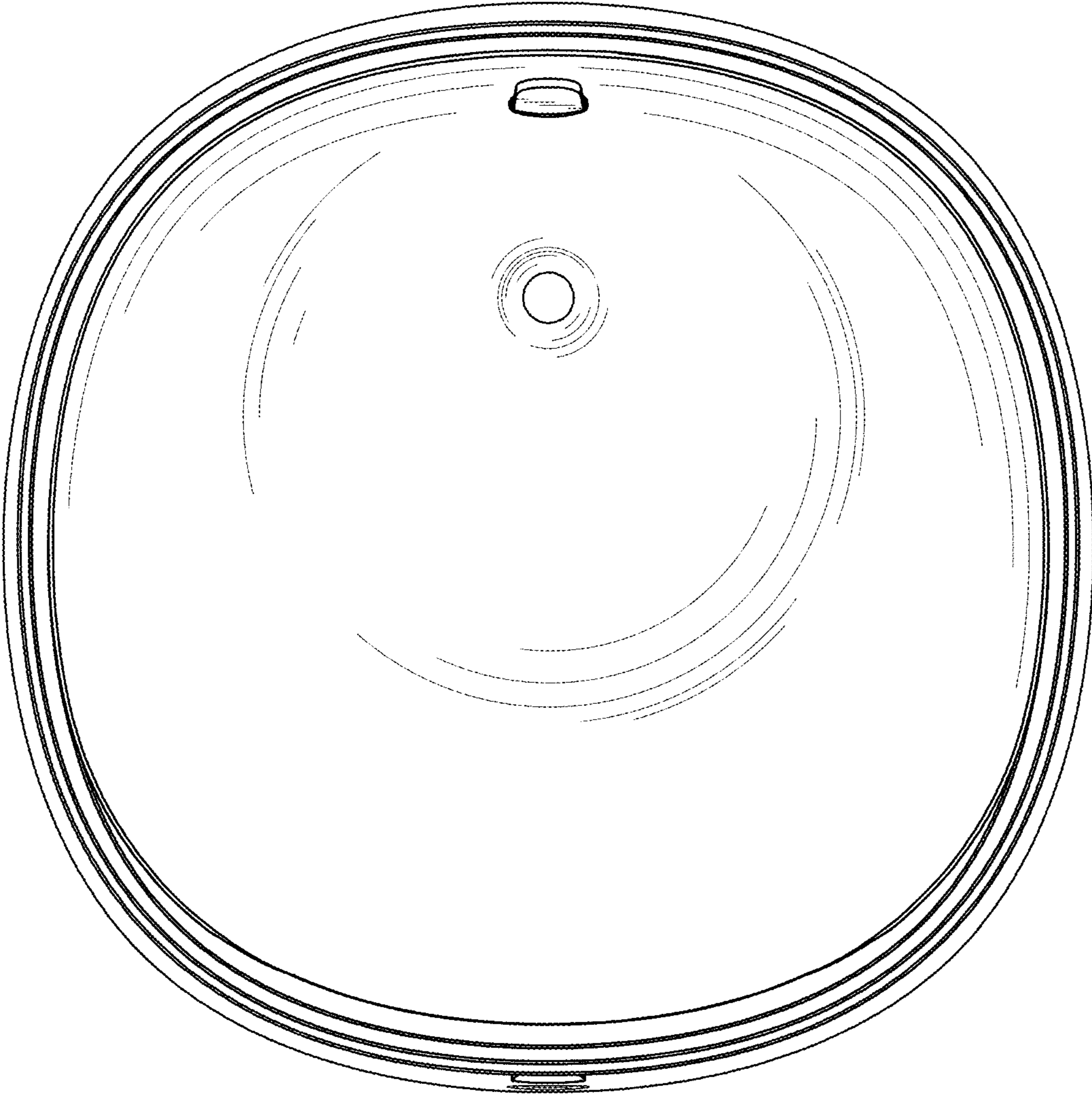


FIG. 6

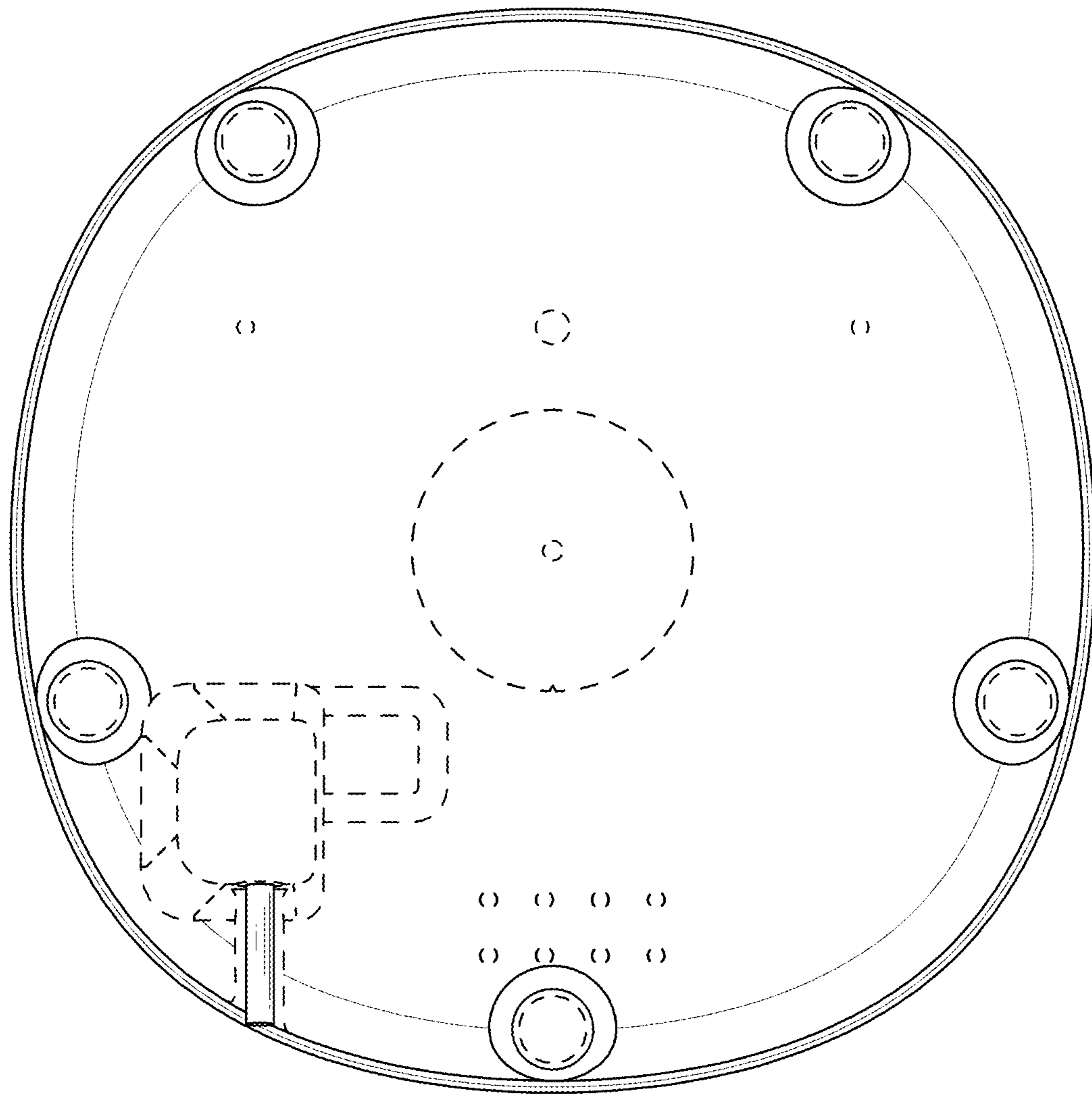


FIG. 7