



US00D974522S

(12) **United States Design Patent**
Chen

(10) **Patent No.:** **US D974,522 S**
(45) **Date of Patent:** **** Jan. 3, 2023**

(54) **FISHING TACKLE**
(71) Applicant: **Gaodi Digital (Qingdao) Co., Ltd.**,
Qingdao (CN)
(72) Inventor: **Zhujun Chen**, Qingdao (CN)
(73) Assignee: **Gaodi Digital (Qingdao) Co., Ltd.**,
Qingdao (CN)

D620,254 S 7/2010 Noraker
7,913,446 B1 * 3/2011 Aldridge, III A01K 97/06
43/57.1
D639,380 S * 6/2011 Smith D22/134
D642,237 S 7/2011 Simmons
9,357,757 B2 * 6/2016 London A01K 97/06
D803,348 S 11/2017 Huang et al.
D847,940 S 5/2019 Murray et al.
10,524,457 B2 * 1/2020 Power A01K 65/00

(Continued)

(**) Term: **15 Years**
(21) Appl. No.: **29/805,061**
(22) Filed: **Aug. 24, 2021**

Primary Examiner — Catherine R Oliver-Garcia

(57) **CLAIM**

The ornamental design for a fishing tackle, as shown and described.

(30) **Foreign Application Priority Data**

DESCRIPTION

Aug. 21, 2021 (EM) 008658801
(51) **LOC (14) Cl.** **22-05**
(52) **U.S. Cl.**
USPC **D22/134**
(58) **Field of Classification Search**
USPC D22/134, 136, 138, 149; 43/54.1, 55–56
CPC A01K 65/00; A01K 97/06; A01K 97/10;
B63B 29/06
See application file for complete search history.

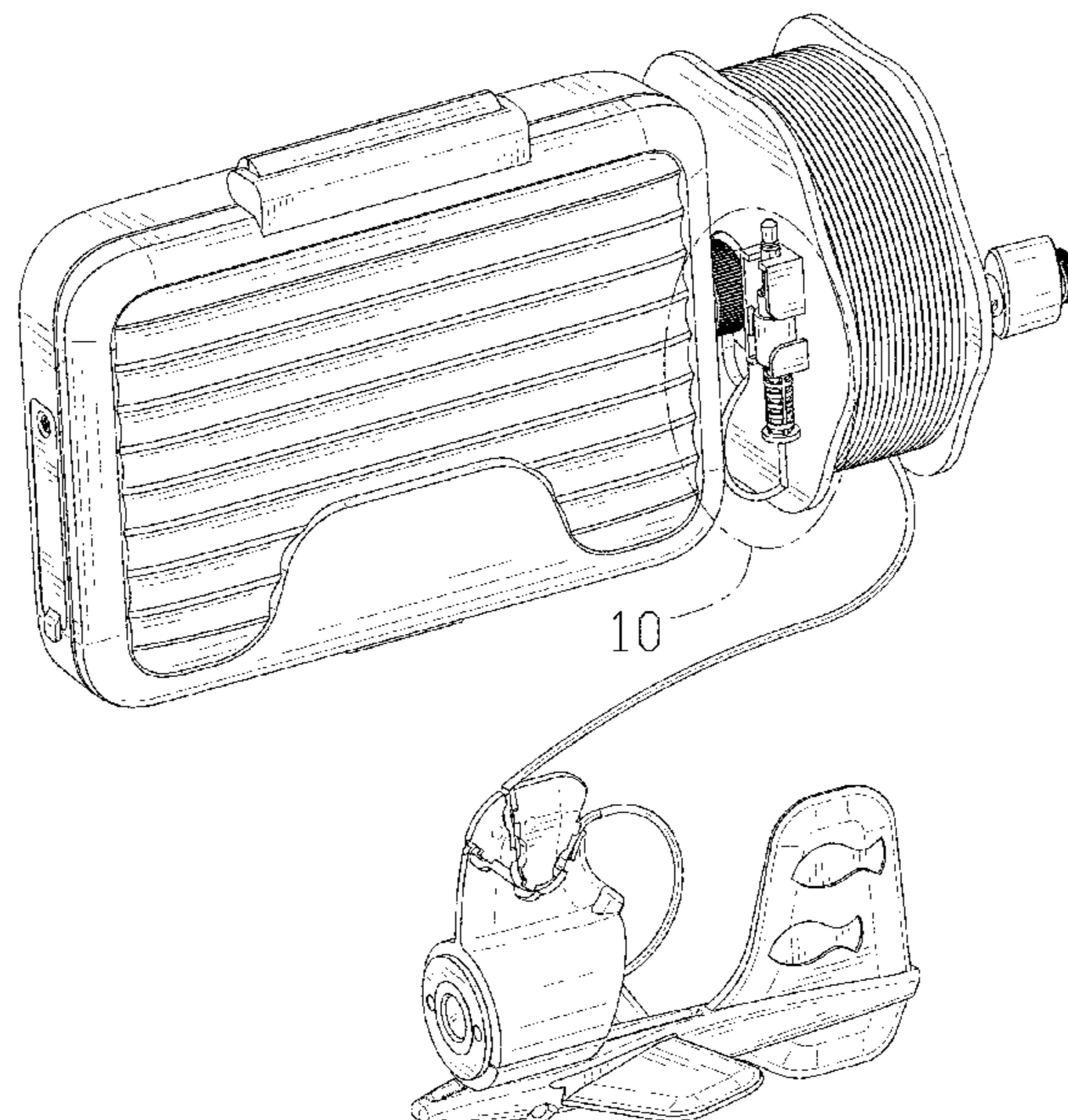
FIG. 1 is a front perspective view of a fishing tackle showing my new design;
FIG. 2 is a rear perspective view thereof;
FIG. 3 is a front elevational view thereof;
FIG. 4 is a rear elevational view thereof;
FIG. 5 is a left side elevational view thereof;
FIG. 6 is a right side elevational view thereof;
FIG. 7 is a top plan view thereof;
FIG. 8 is a bottom plan view thereof;
FIG. 9 is a perspective view of the fishing tackle shown in an open state;
FIG. 10 is an enlarged view of an oval portion 10 of FIG. 1;
FIG. 11 is an enlarged view of a circle portion 11 of FIG. 2;
FIG. 12 is an enlarged view of an oval portion 12 of FIG. 2;
and,
FIG. 13 is an enlarged view of an oval portion 13 of FIG. 4.
The broken lines in the drawings depict portions of the fishing tackle that form no part of the claimed design.
The dash-dot-dash lines in the drawings are for the purpose of depicting boundary lines of the enlarged views and form no part of the claimed design.

(56) **References Cited**

U.S. PATENT DOCUMENTS

D309,937 S * 8/1990 Baxter D22/199
D375,781 S * 11/1996 Caldwell D22/134
5,636,469 A * 6/1997 Pizzolo A01K 97/05
206/315.11
D455,812 S * 4/2002 Sanchez A01K 89/08
D22/149
D467,990 S * 12/2002 Lin D22/149
D535,096 S * 1/2007 Lin D3/203.3
D571,890 S * 6/2008 Lin D22/149
D574,668 S * 8/2008 Kelly D22/136

1 Claim, 13 Drawing Sheets



(56)

References Cited

U.S. PATENT DOCUMENTS

D890,458 S *	7/2020	Yearwood, Jr.	D32/53
D891,102 S *	7/2020	Rich	D3/260
10,918,098 B2 *	2/2021	Morehead	B63B 29/06
2014/0068998 A1 *	3/2014	Peak	A01K 97/06
			43/55

* cited by examiner

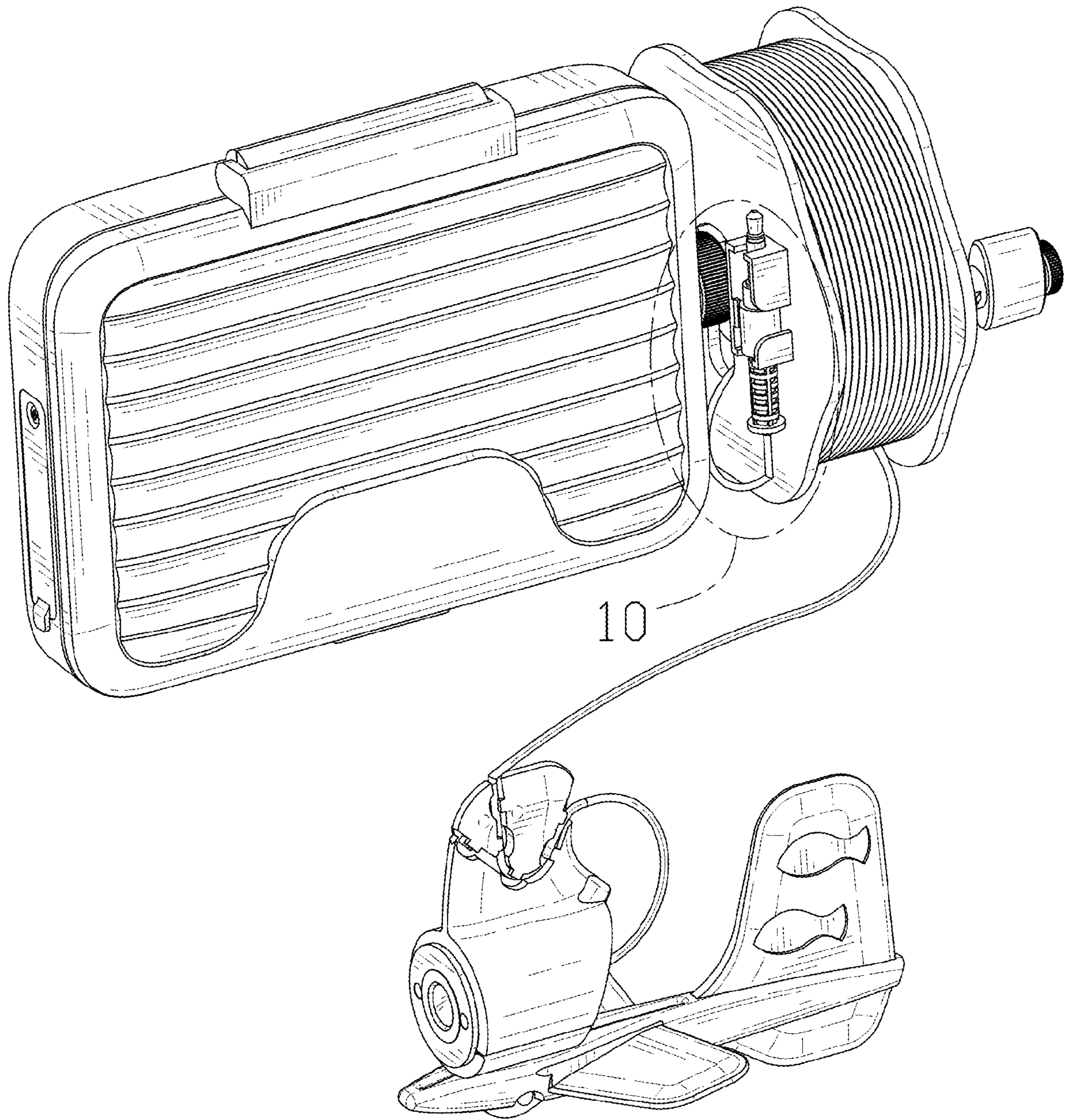


FIG. 1

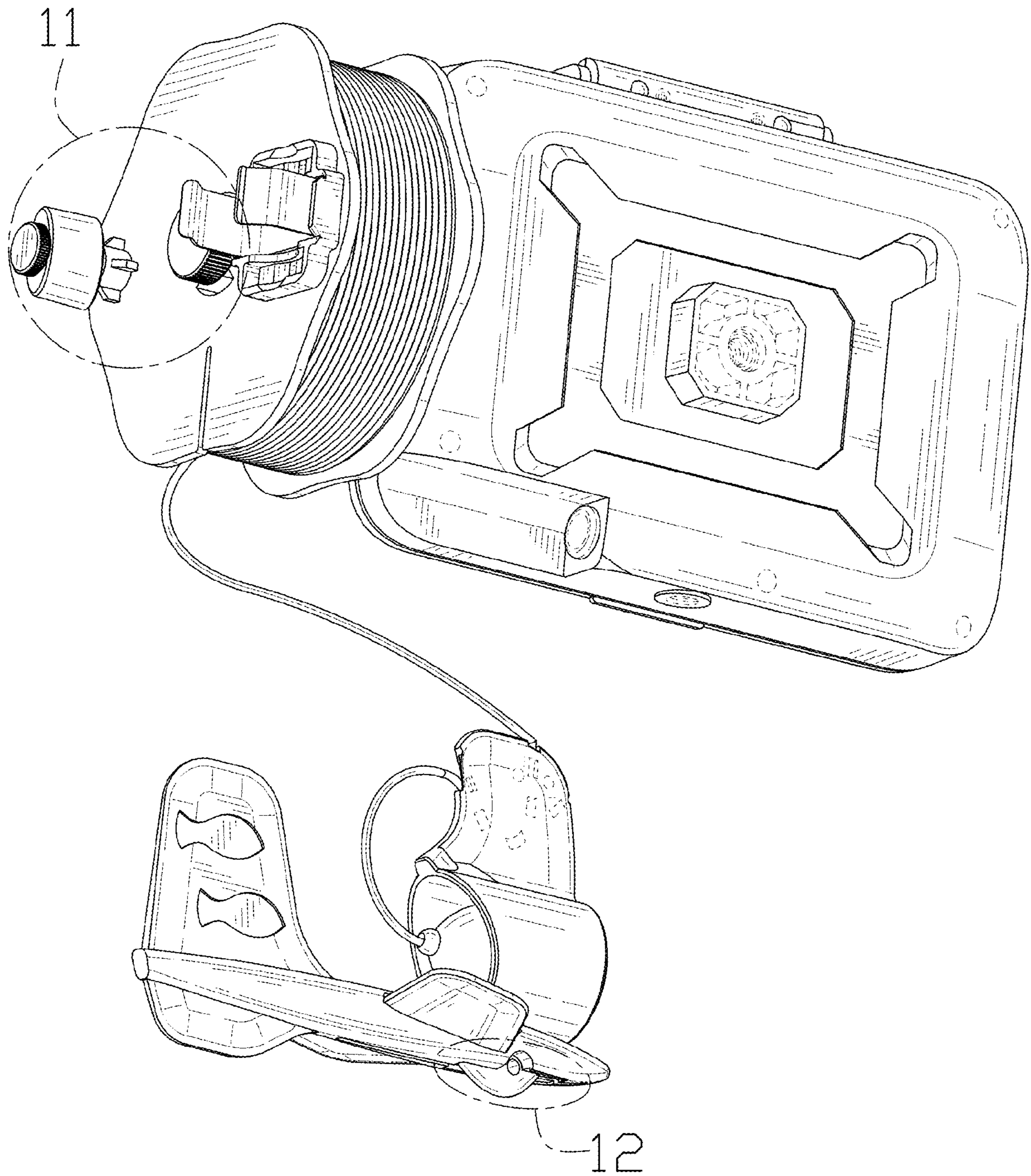


FIG. 2

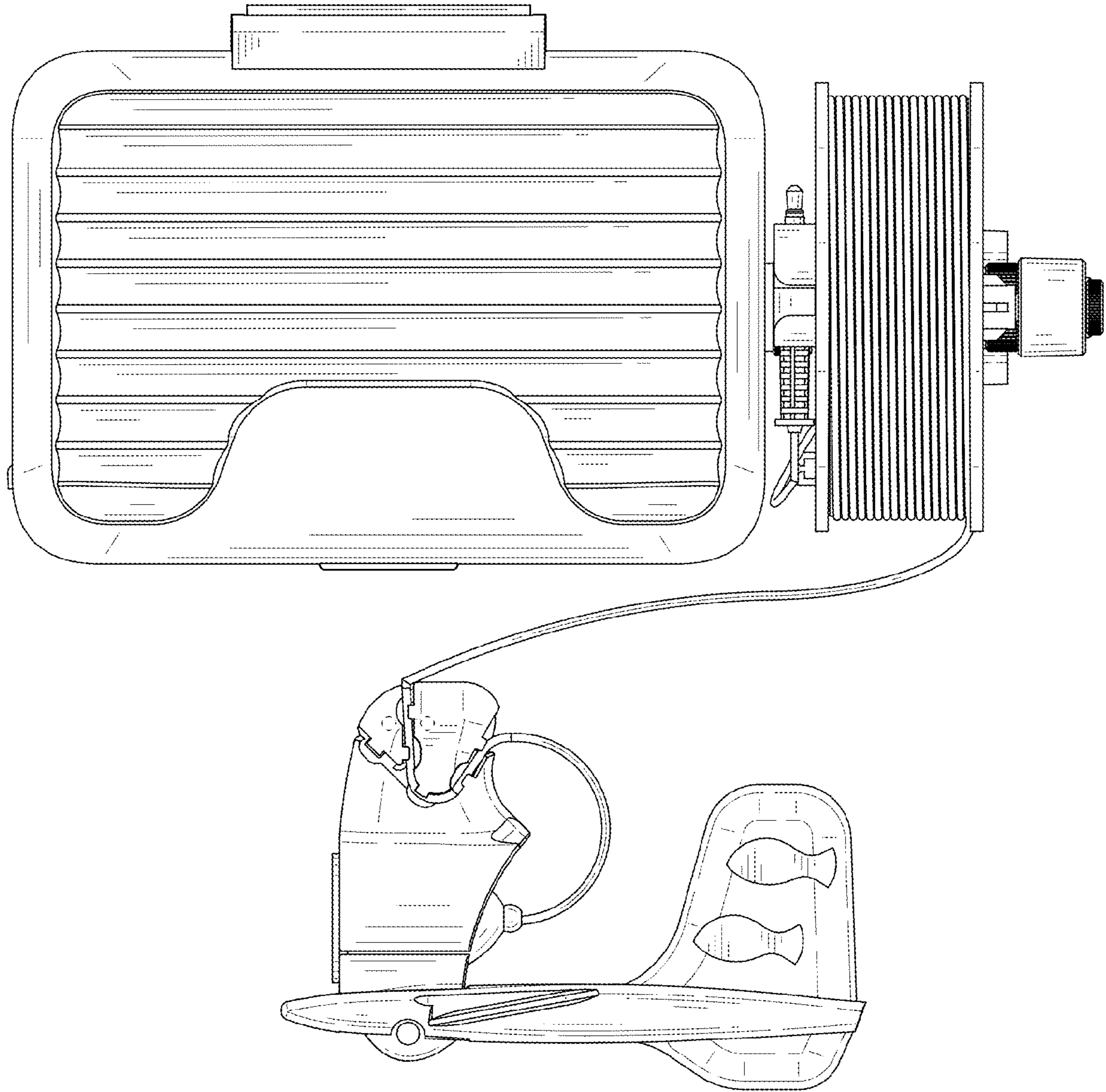


FIG. 3

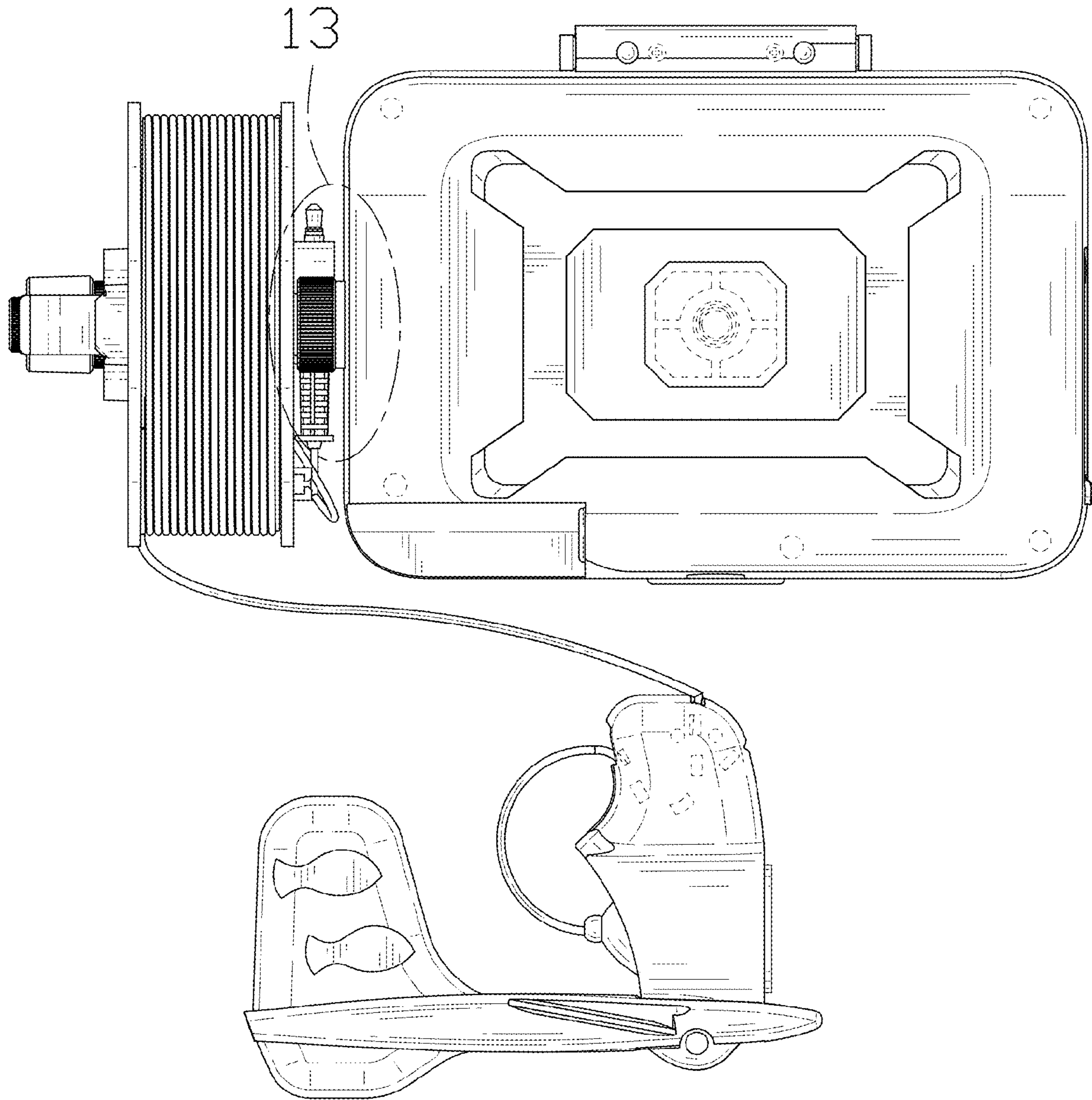


FIG. 4

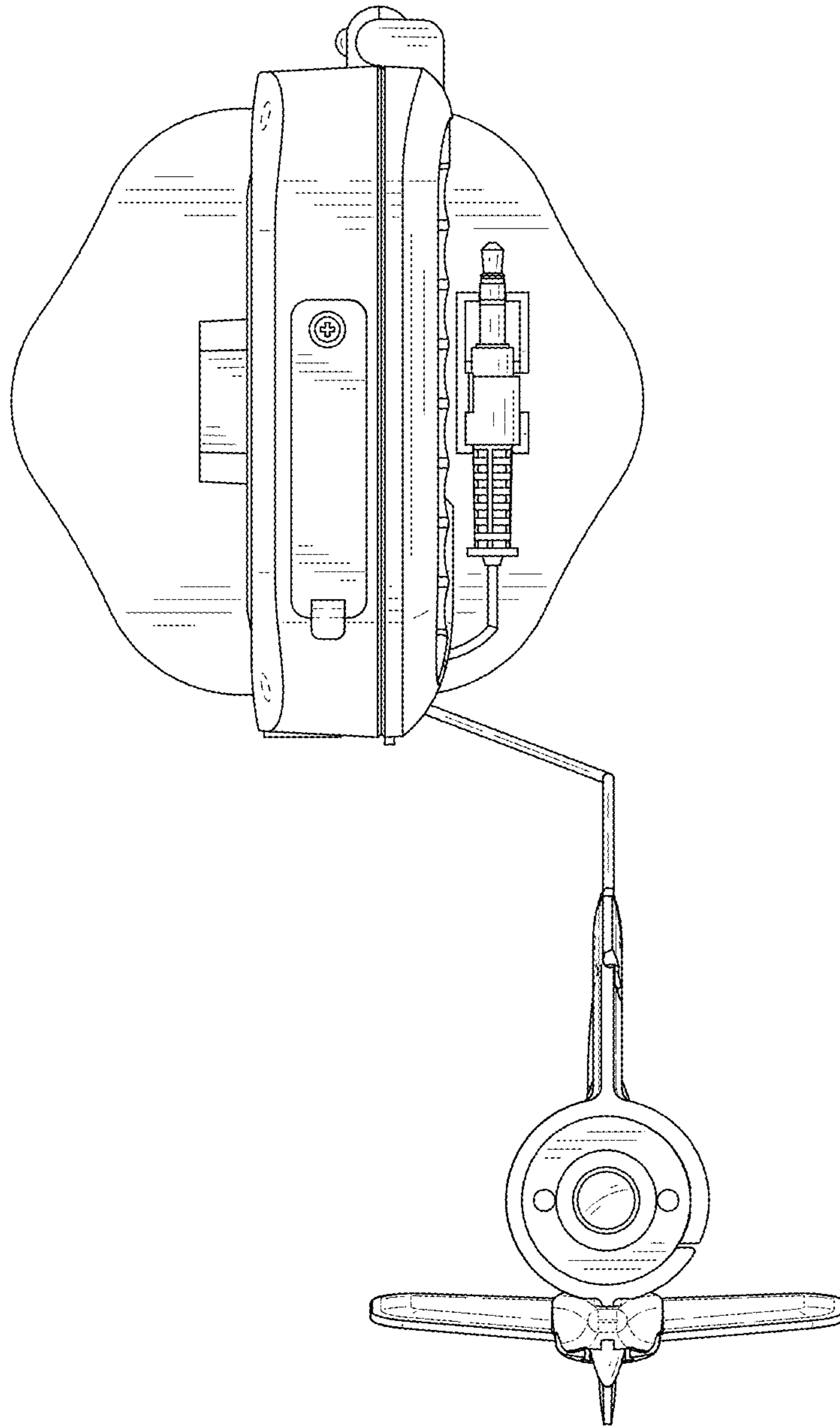


FIG. 5

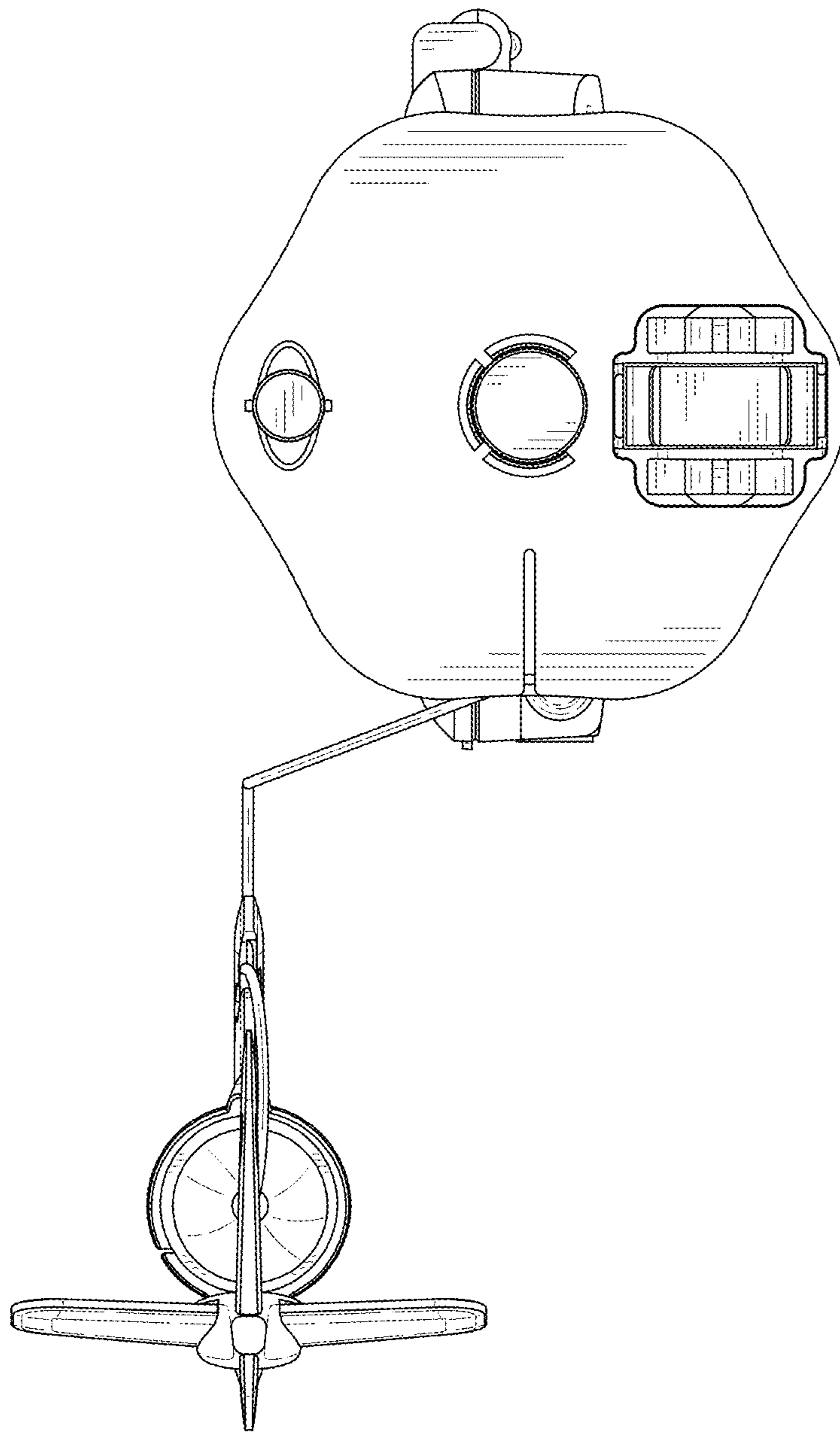


FIG. 6

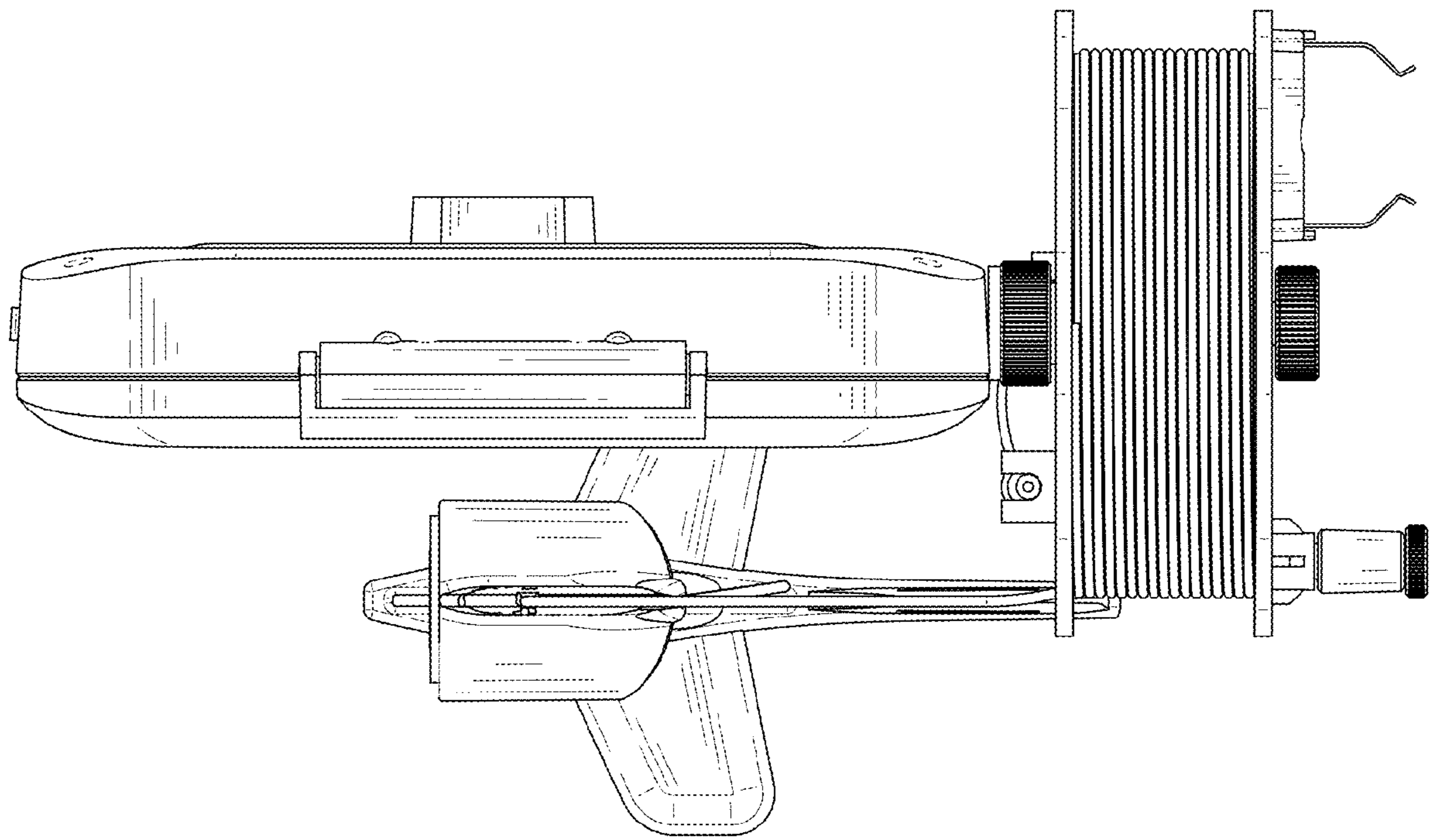


FIG. 7

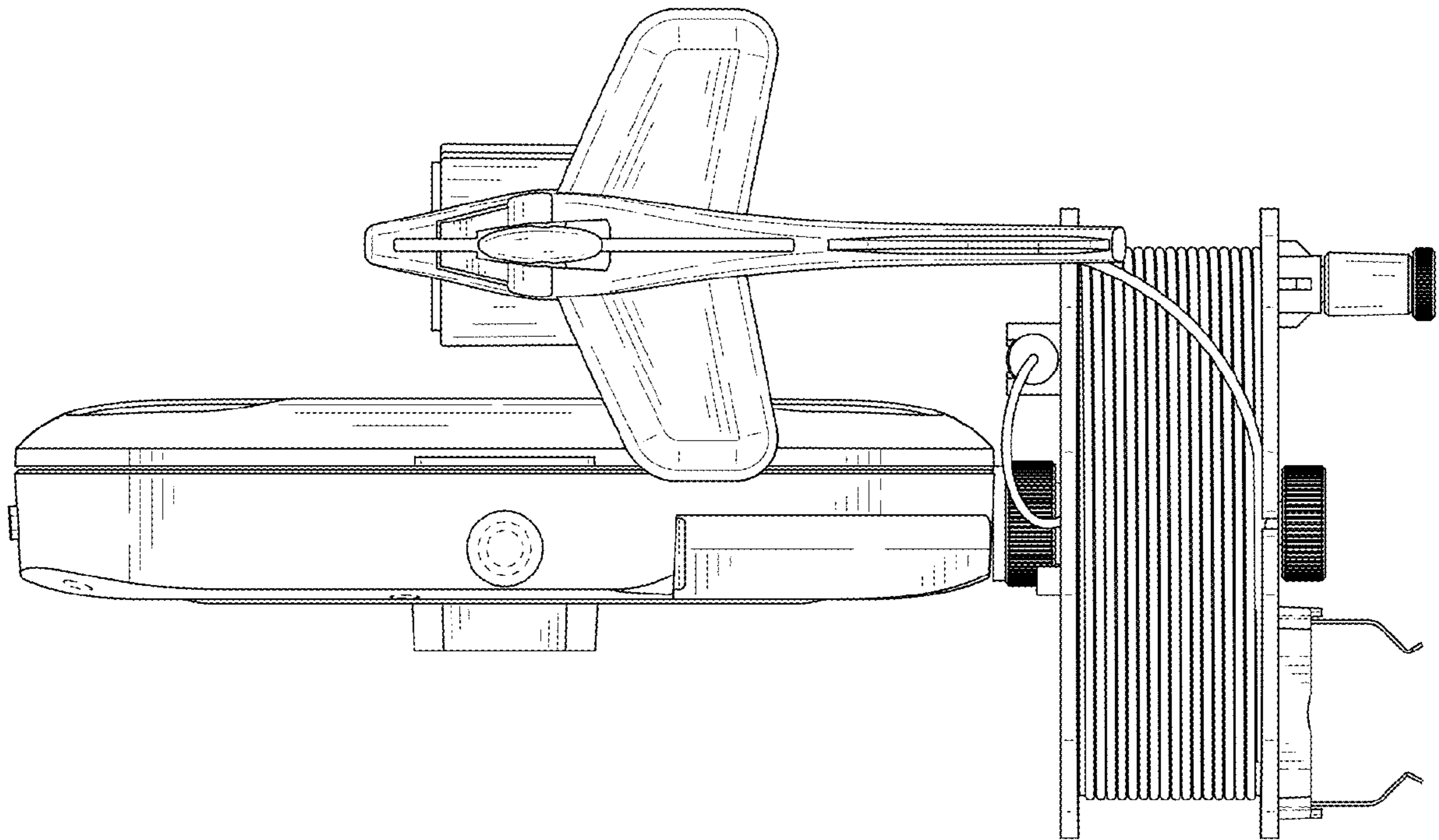


FIG. 8

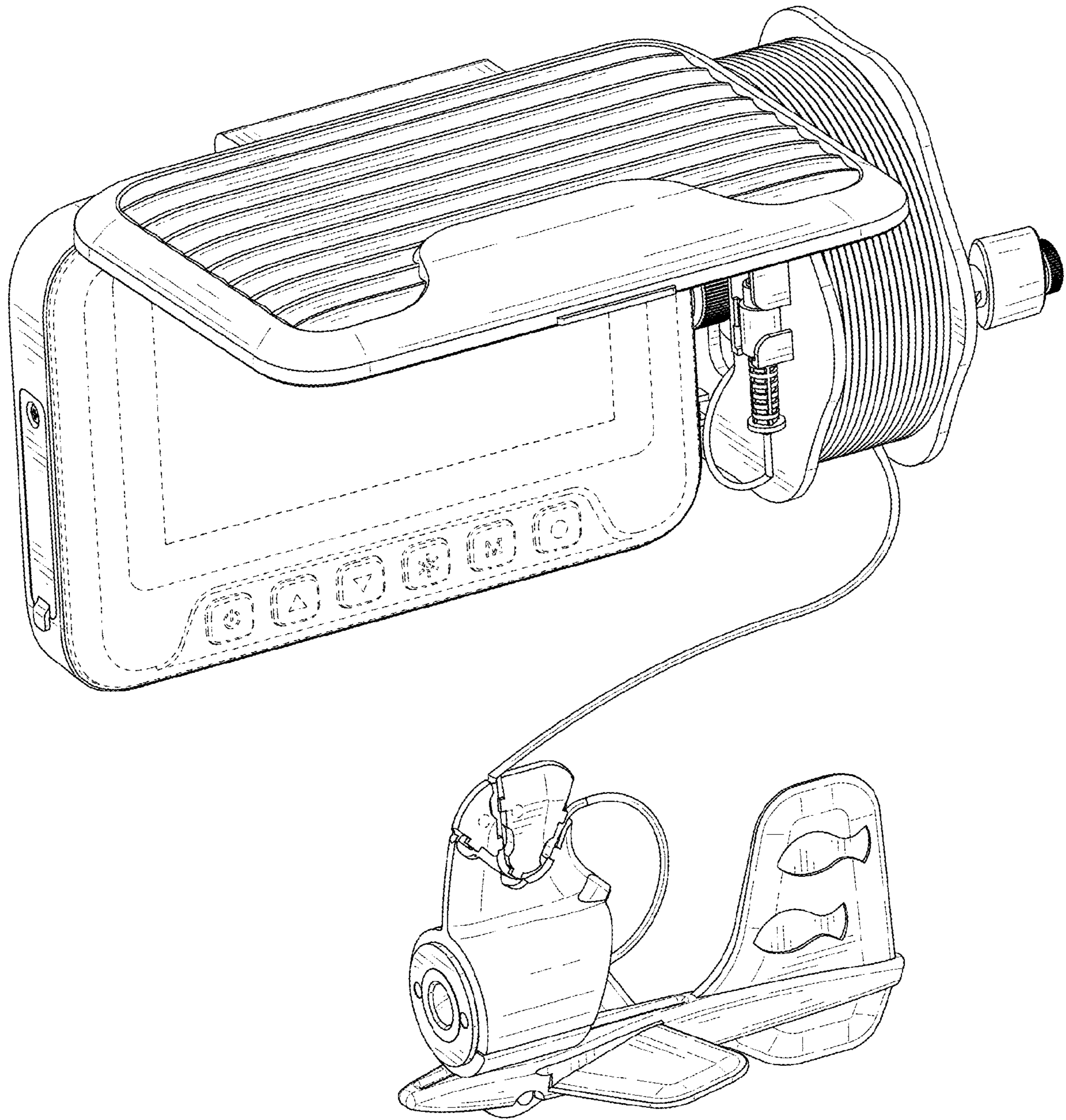


FIG. 9

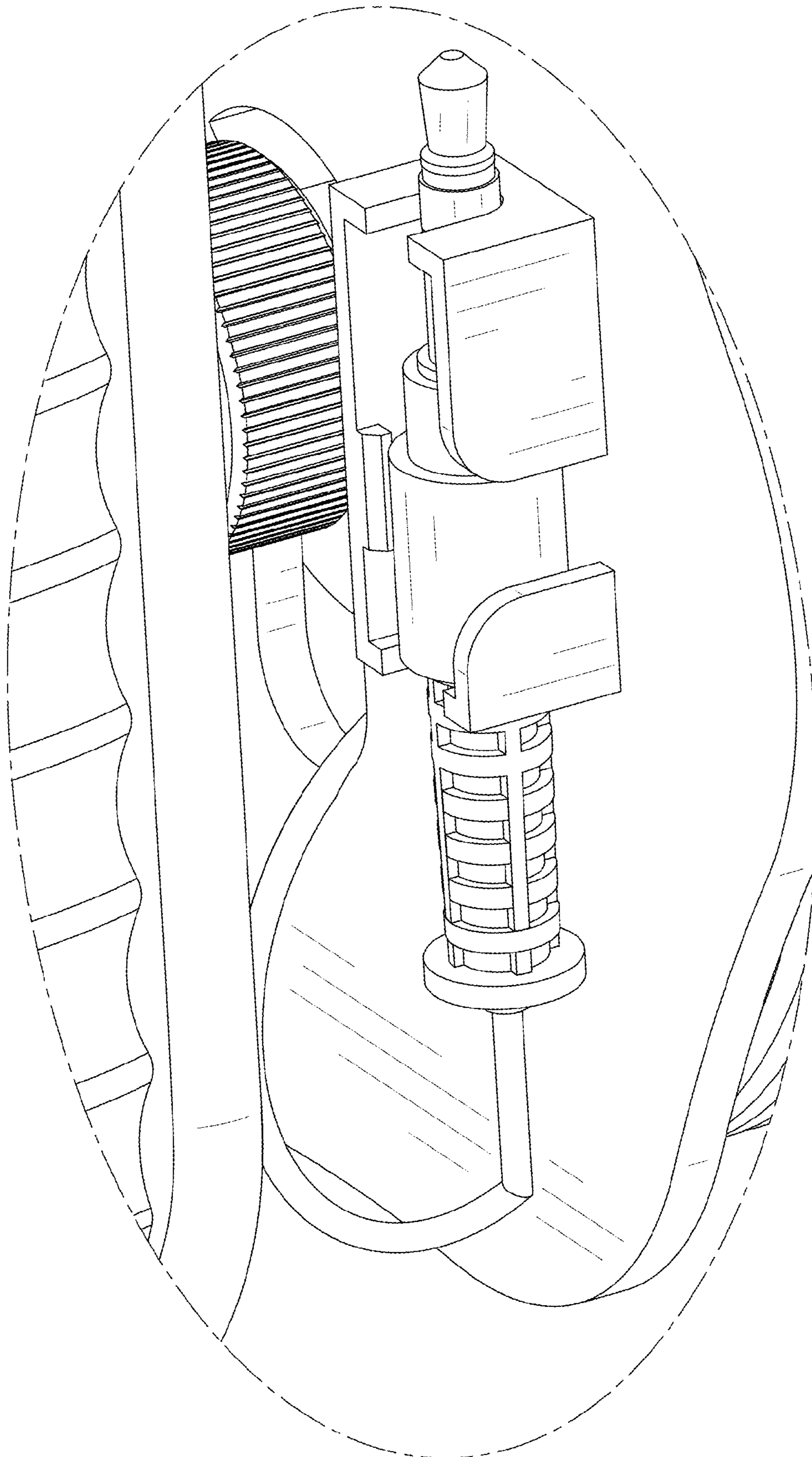


FIG. 10

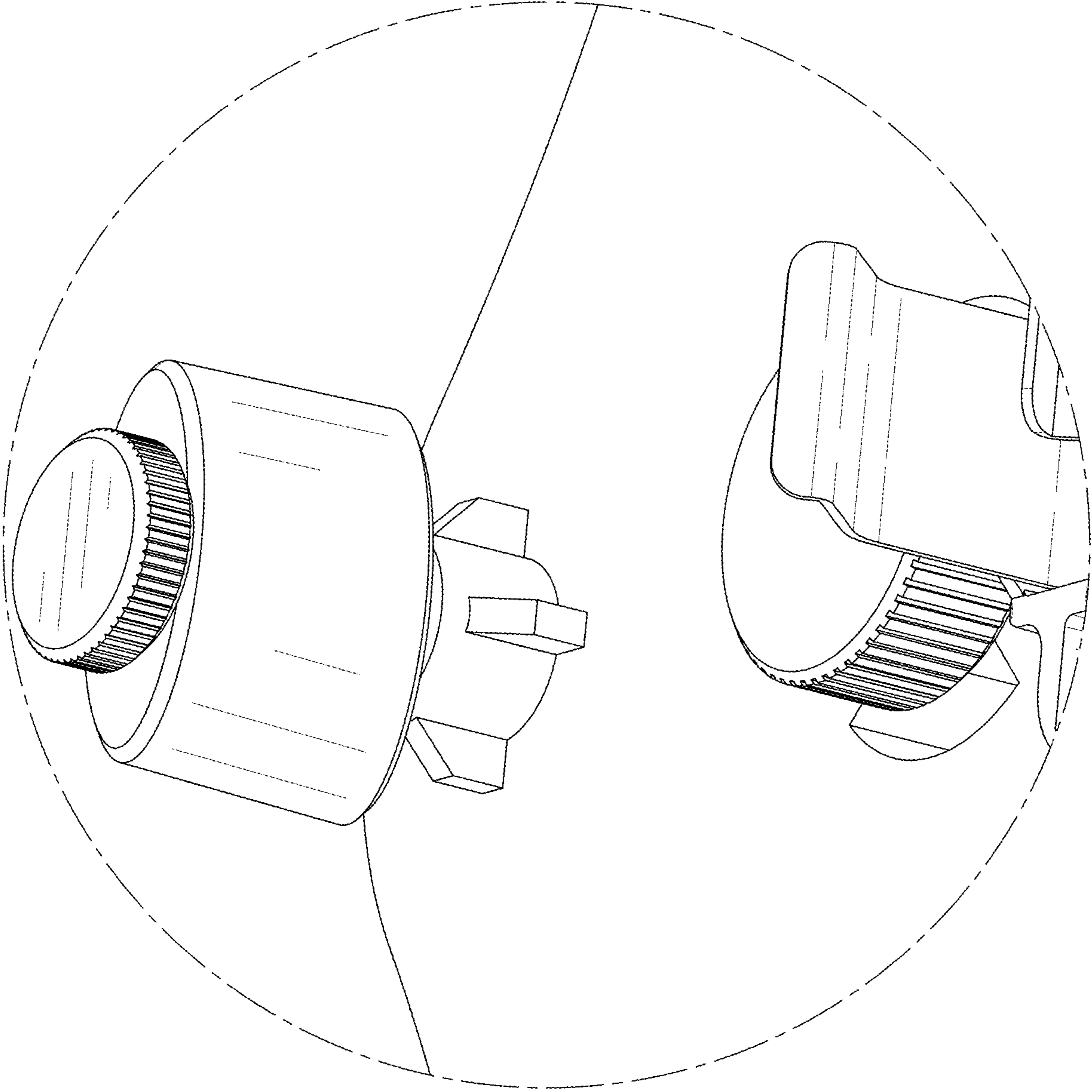


FIG. 11

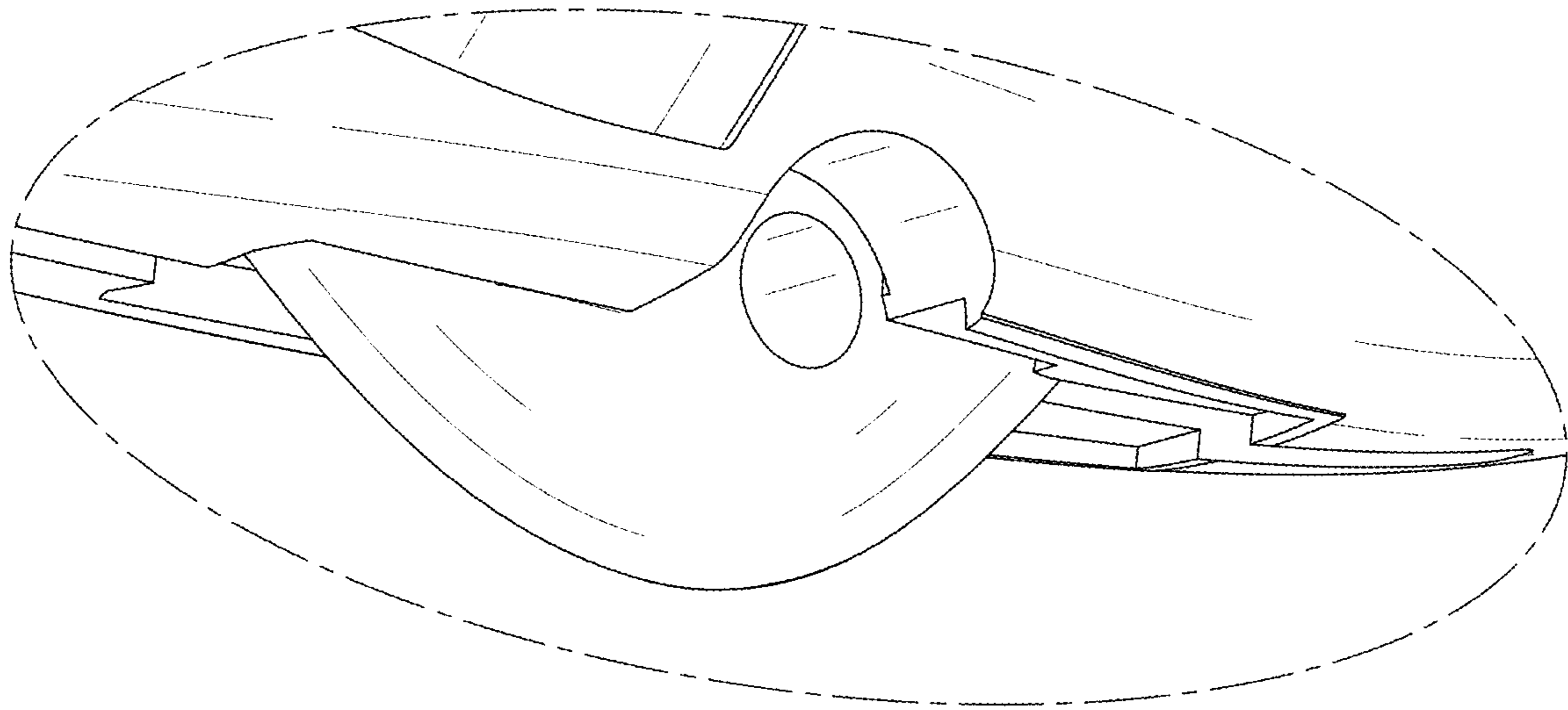


FIG. 12

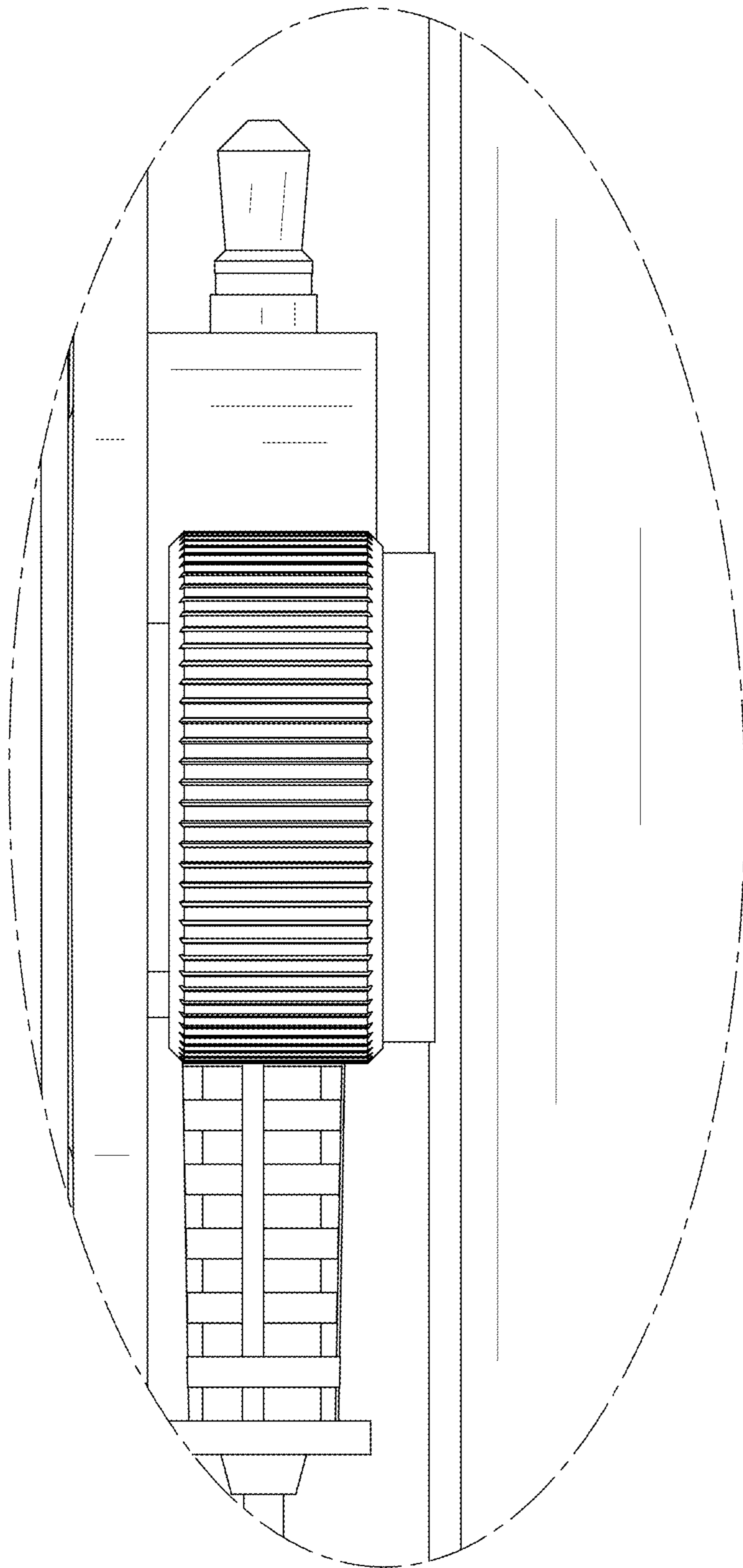


FIG. 13