



US00D974521S

(12) **United States Design Patent**
Tan

(10) **Patent No.:** **US D974,521 S**
(45) **Date of Patent:** **** Jan. 3, 2023**

(54) **MOUSE TRAP**

(71) Applicant: **SHENZHEN CROSS CENTURY TECHNOLOGY CO., LTD.**, Shenzhen (CN)

(72) Inventor: **Shumin Tan**, Shenzhen (CN)

(73) Assignee: **SHENZHEN CROSS CENTURY TECHNOLOGY CO., LTD.**, Shenzhen (CN)

(**) Term: **15 Years**

(21) Appl. No.: **29/811,833**

(22) Filed: **Oct. 18, 2021**

(51) **LOC (14) Cl.** **22-06**

(52) **U.S. Cl.**
USPC **D22/119**

(58) **Field of Classification Search**
USPC D22/119-120; D32/153; 43/58, 60-61, 43/69, 81
CPC A01M 23/00; A01M 23/02
See application file for complete search history.

(56) **References Cited**

U.S. PATENT DOCUMENTS

D552,208 S *	10/2007	O'Leary	D22/119
9,826,729 B2 *	11/2017	Albaugh	A01M 23/04
9,961,892 B2 *	5/2018	Chism	A01M 23/10
D830,492 S	10/2018	Ambler et al.		
D842,422 S *	3/2019	Guerrie	D22/119
D882,725 S *	4/2020	Upholz	D22/119
D890,289 S *	7/2020	Luo	D22/119

OTHER PUBLICATIONS

https://www.amazon.com/Lifellery-M-Ouse-Bucket-Outdoor-Compatible/dp/B0964S7X2F/ref=sr_1_98?crd=3CC31AEPLEIC6&keywords=mouse+trap+bucket+flip+lid&qid=1659471782&sprefix=mouse+trap%2Caps%2C81&sr=8-98 (Year: 2021).*

* cited by examiner

Primary Examiner — Catherine R Oliver-Garcia

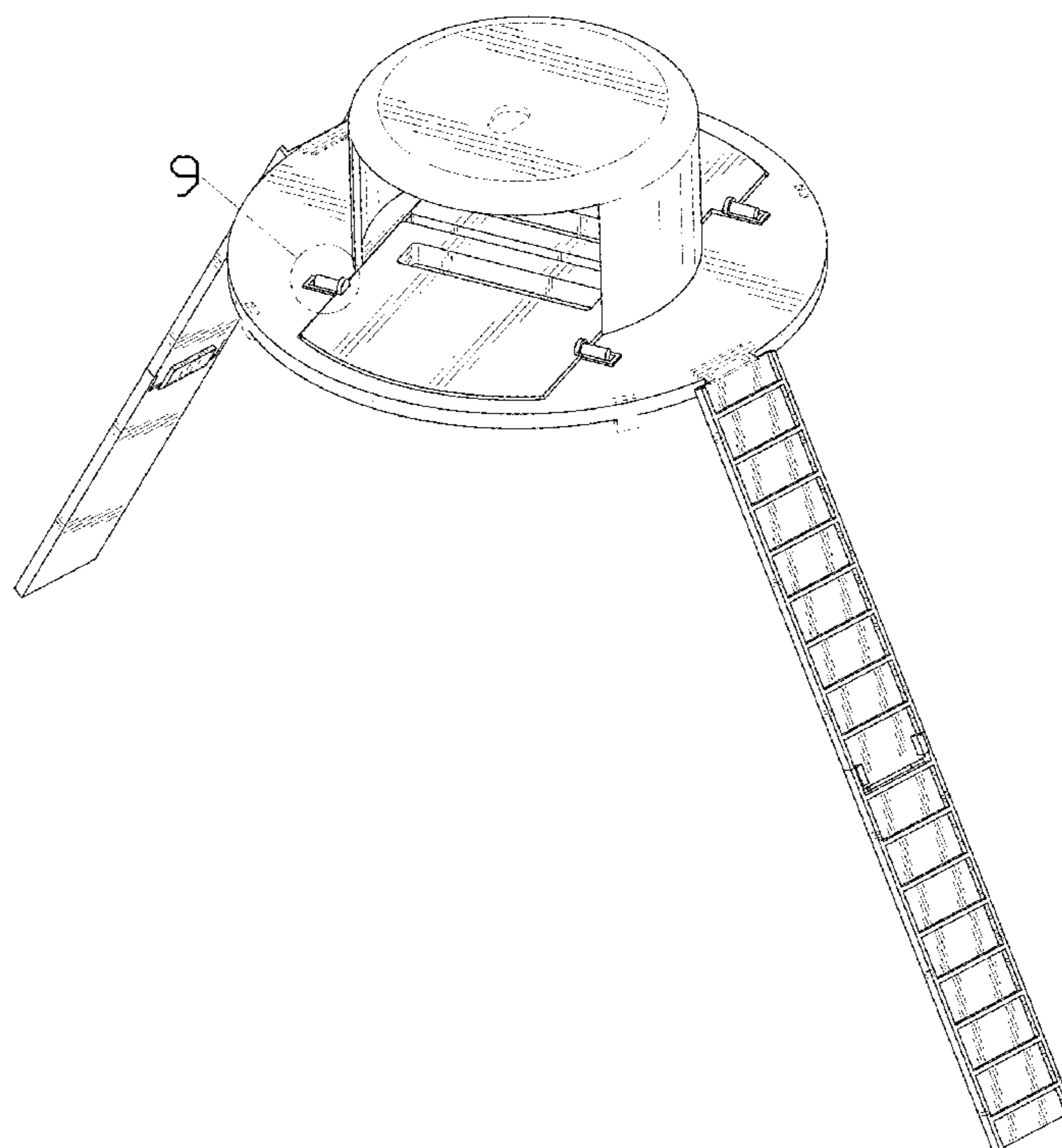
(57) **CLAIM**

The ornamental design for a mouse trap, as shown and described.

DESCRIPTION

FIG. 1 is a perspective view of a mouse trap showing my new design;
FIG. 2 is another perspective view thereof;
FIG. 3 is a front elevational view thereof;
FIG. 4 is a rear elevational view thereof;
FIG. 5 is a left side elevational view thereof;
FIG. 6 is a right side elevational view thereof;
FIG. 7 is a top plan view thereof;
FIG. 8 is a bottom plan view thereof; and,
FIG. 9 is an enlarged view of portion 9 shown in FIG. 1.
The dash-dash broken lines in the drawings depict portions of the mouse trap that form no part of the claimed design. The dot-dash broken lines represent the boundary of the enlarged portion and form no part of the claimed design.

1 Claim, 9 Drawing Sheets



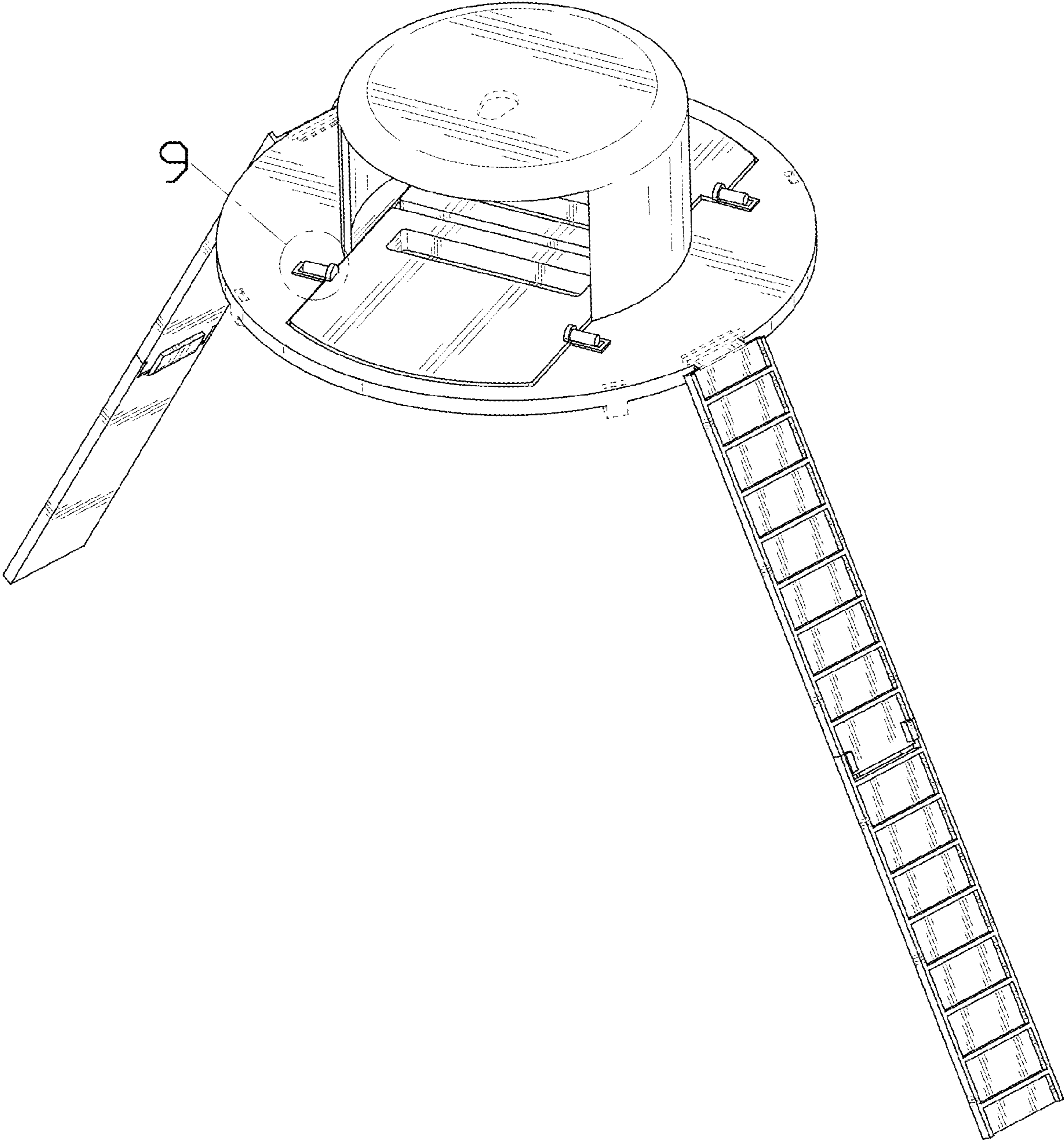


FIG. 1

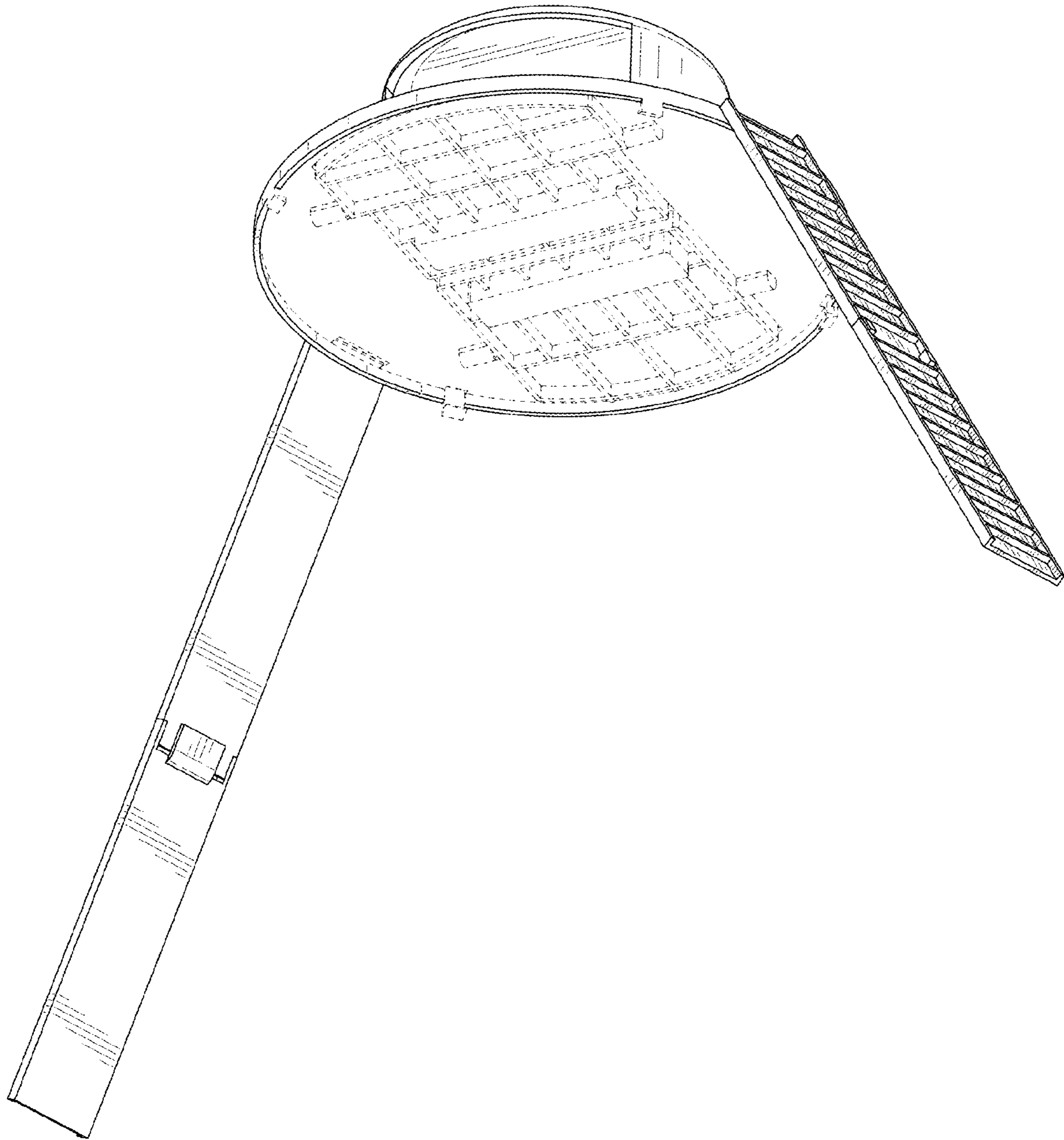


FIG. 2

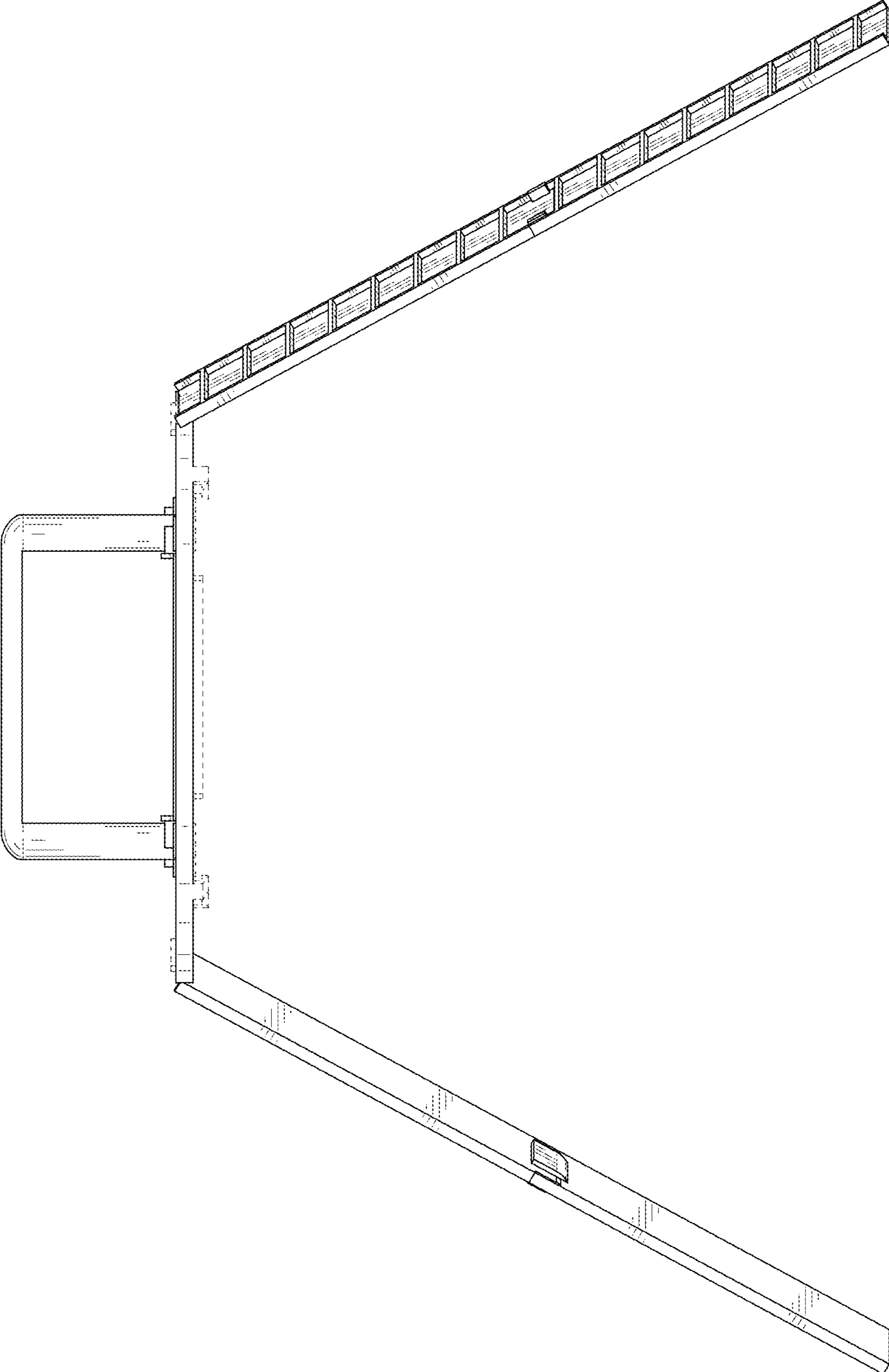


FIG. 3

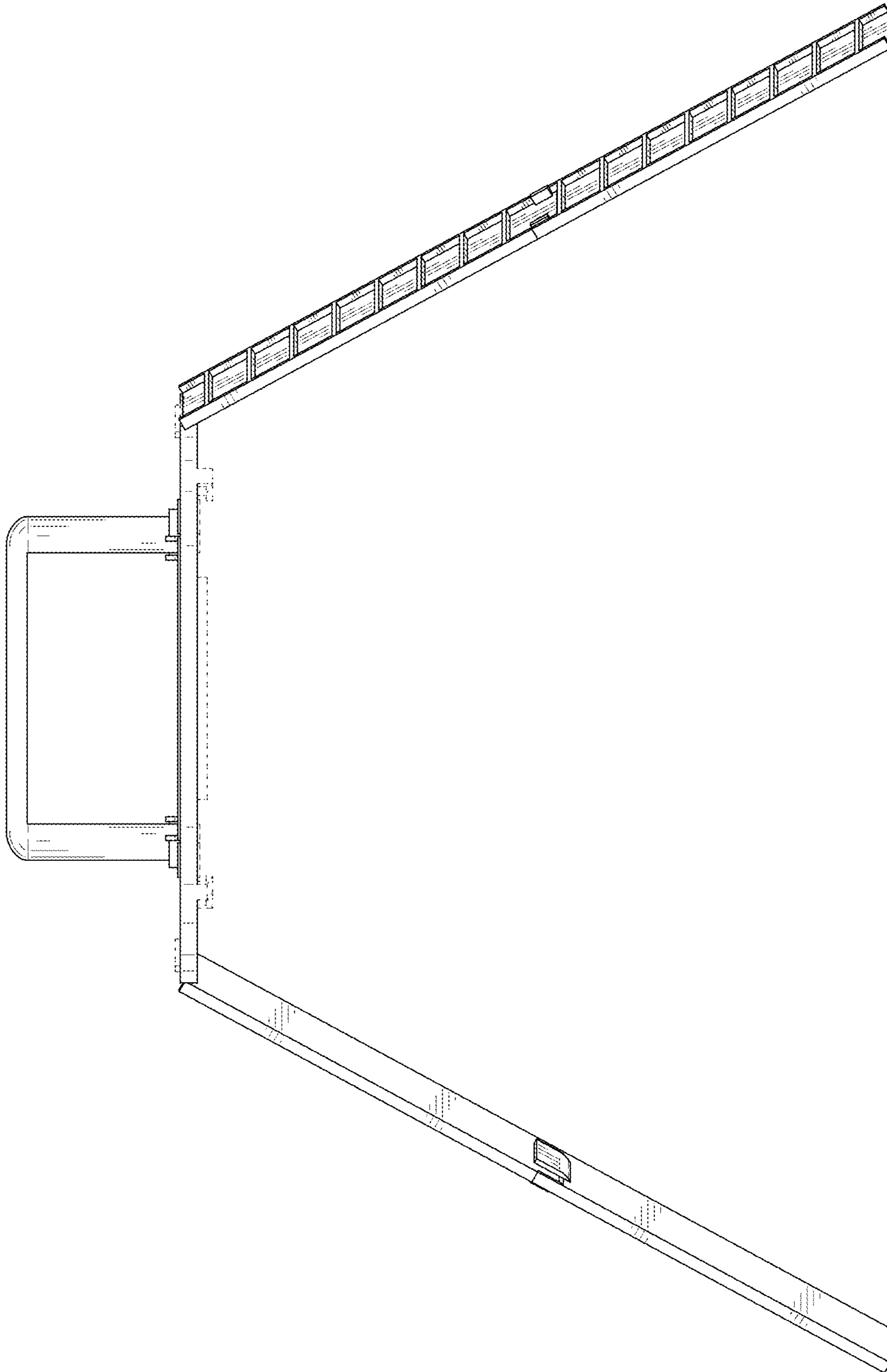


FIG. 4

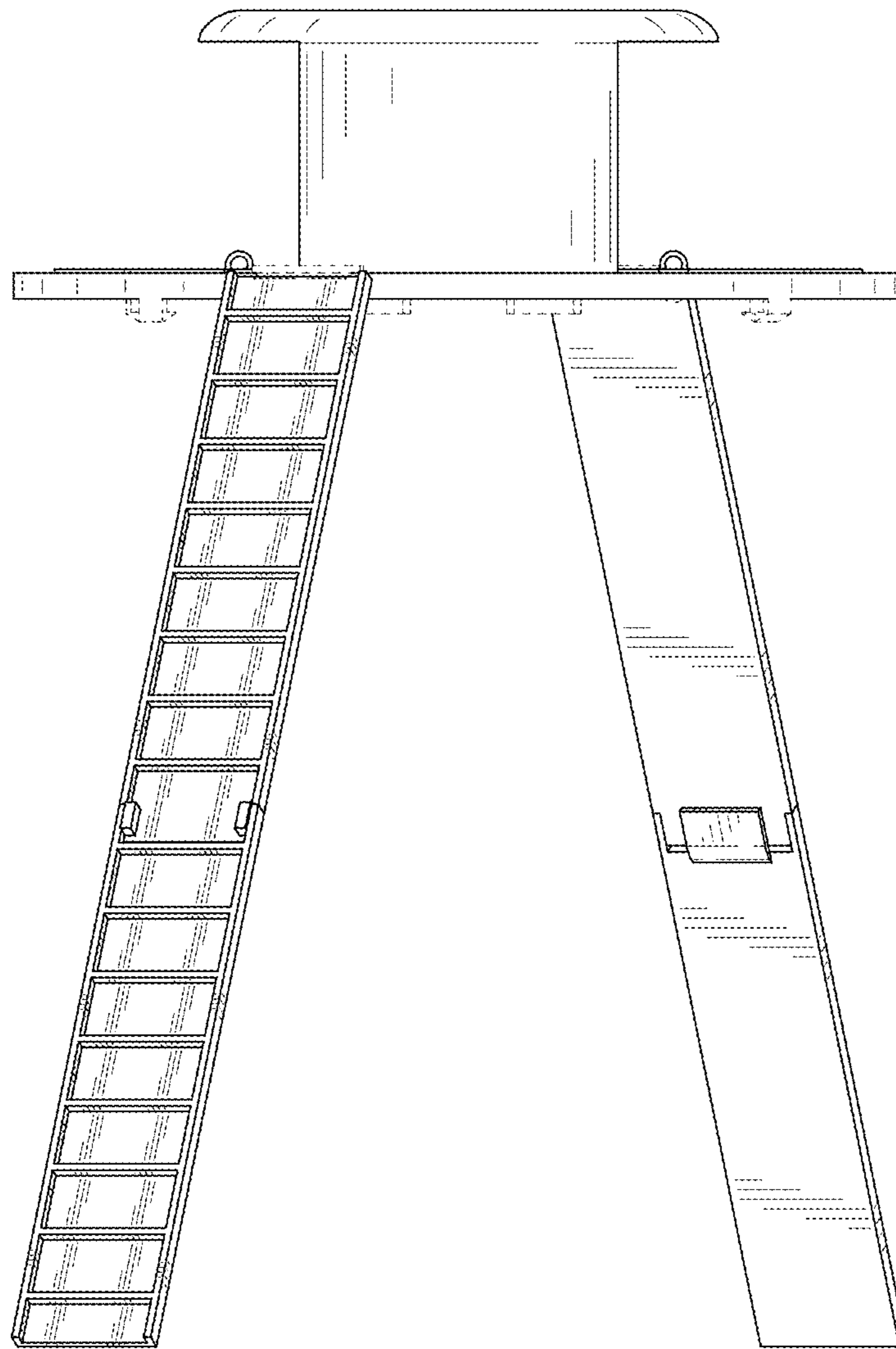


FIG. 5

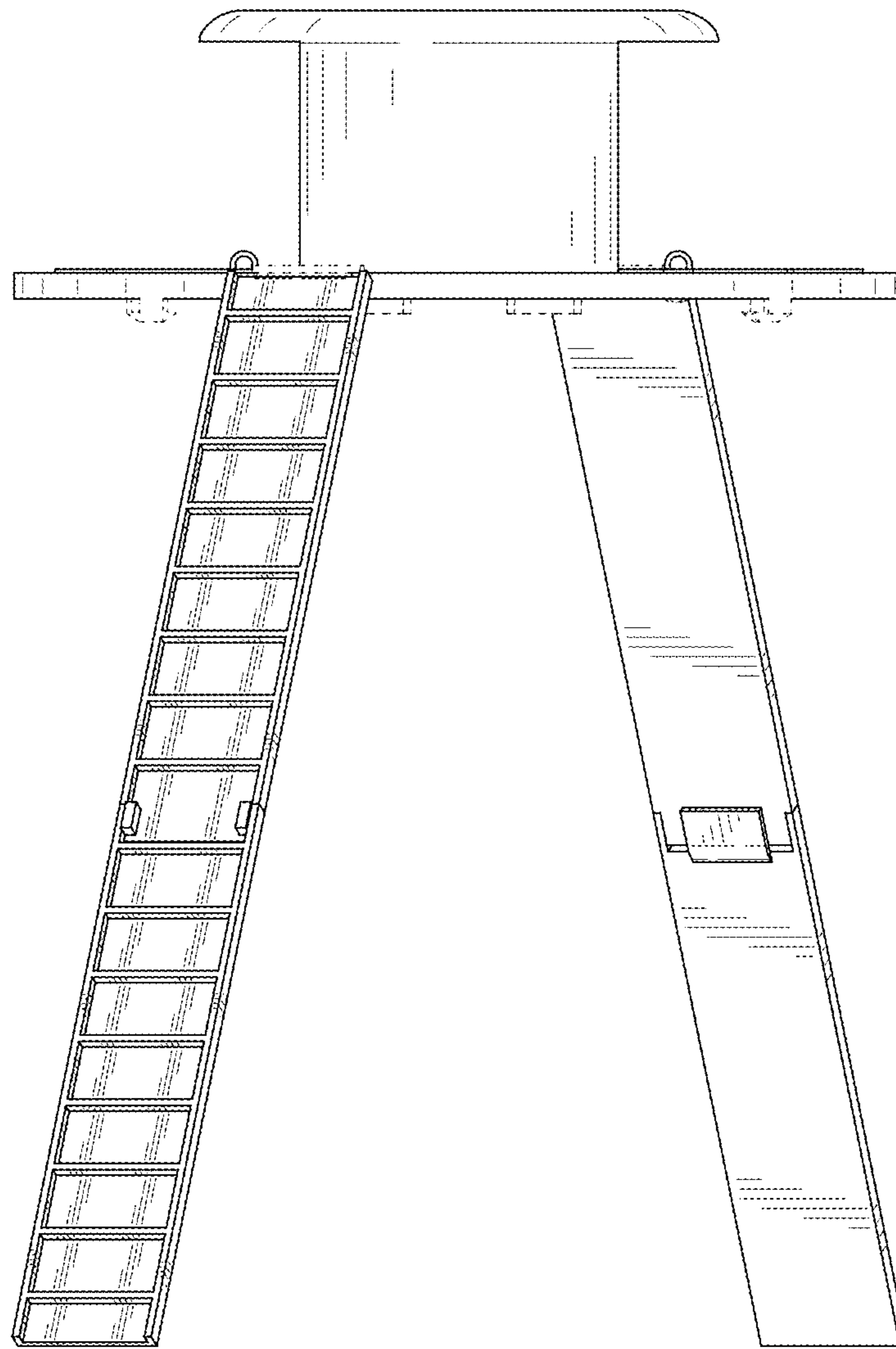


FIG. 6

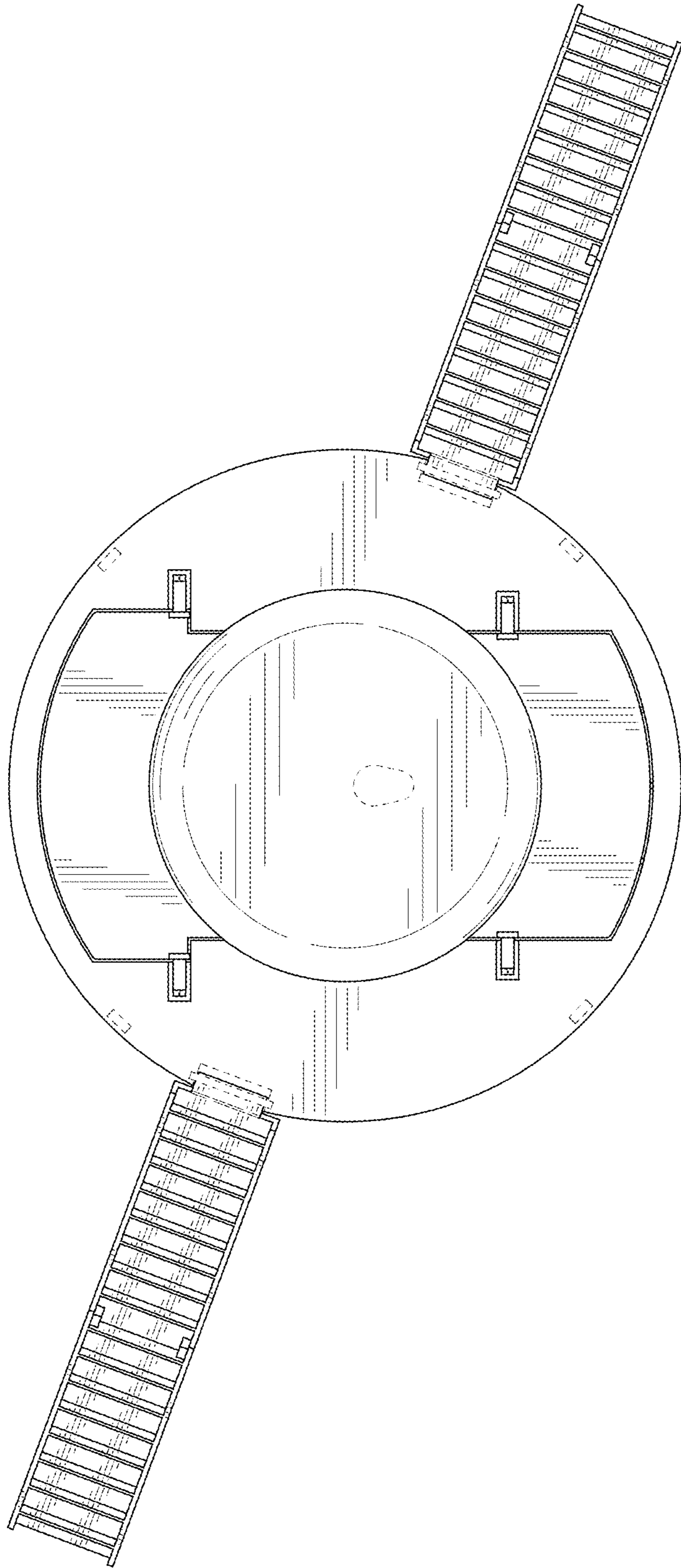


FIG. 7

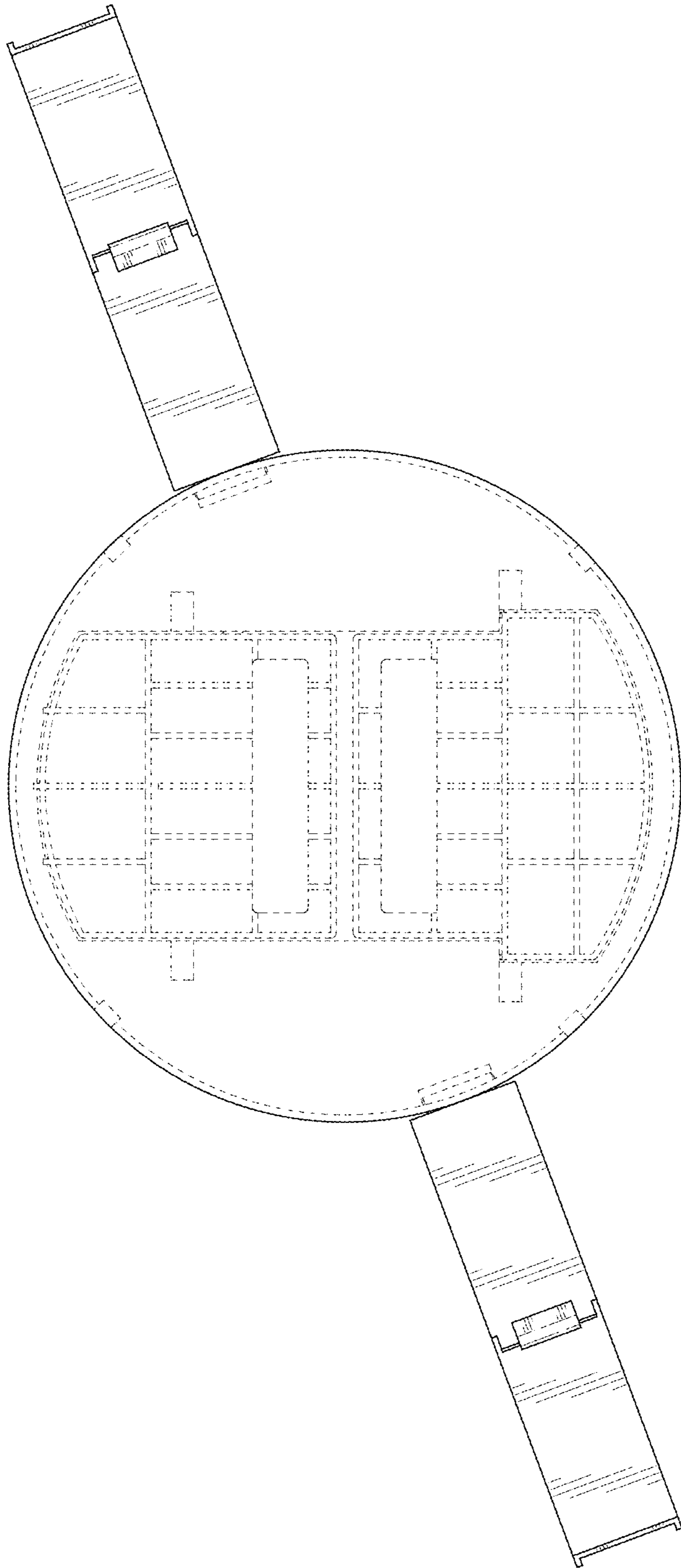


FIG. 8

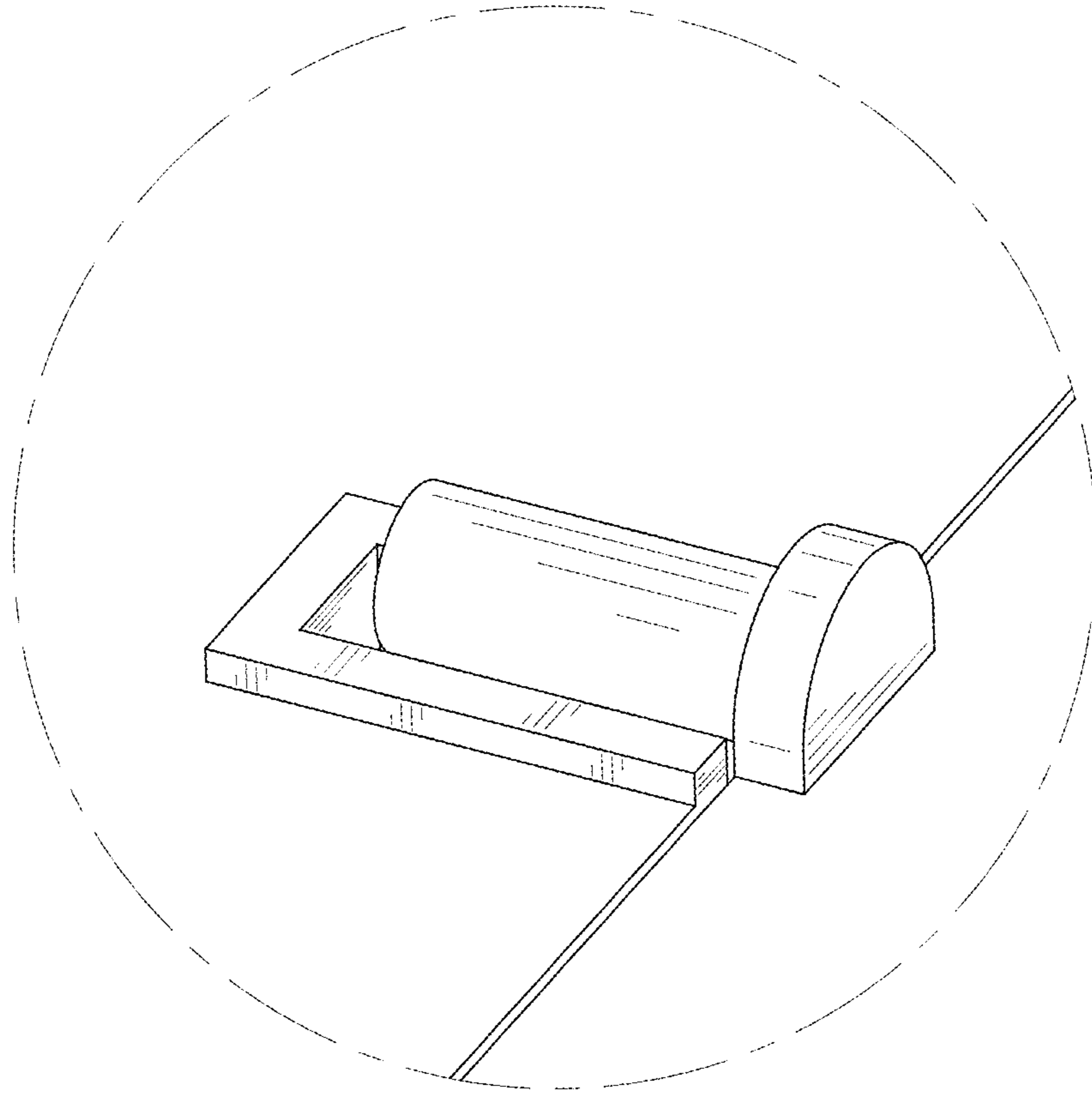


FIG. 9