



US00D974520S

(12) **United States Design Patent**
Abboud et al.

(10) **Patent No.:** **US D974,520 S**
(45) **Date of Patent:** **** Jan. 3, 2023**

(54) **CARTRIDGE**
(71) Applicant: **Leonidas IP, LLC**, Charleston (KN)
(72) Inventors: **Steven Abboud**, Davenport, FL (US);
Yi-Huan Chang, Taichung (TW)
(73) Assignee: **Leonidas IP, LLC**, Charleston (KN)
(**) Term: **15 Years**
(21) Appl. No.: **29/712,624**
(22) Filed: **Nov. 10, 2019**

7,859,818 B2 12/2010 Kroll et al.
7,944,676 B2 5/2011 Smith et al.
8,045,316 B2 10/2011 Nerheim
D651,679 S * 1/2012 Klug D22/108
8,320,098 B2 11/2012 Klug et al.
8,733,251 B1 * 5/2014 Abboud F42B 5/285
361/232
D822,785 S * 7/2018 Norris D22/117
10,101,135 B1 * 10/2018 Abboud F41H 13/0025
D866,702 S * 11/2019 Abboud D22/117
2006/0187610 A1 8/2006 Su
2008/0276822 A1 11/2008 Lubbers et al.
2010/0146835 A1 6/2010 McNulty, Jr.

(Continued)

Related U.S. Application Data

(62) Division of application No. 29/631,585, filed on Dec. 29, 2017, now Pat. No. Des. 866,702.
(51) **LOC (14) Cl.** **22-03**
(52) **U.S. Cl.**
USPC **D22/117**
(58) **Field of Classification Search**
USPC D22/110, 117
CPC F41B 11/55; F41B 11/51; F41B 11/62
See application file for complete search history.

References Cited

U.S. PATENT DOCUMENTS

3,803,463 A 4/1974 Cover
5,078,117 A 1/1992 Cover
5,786,546 A 7/1998 Simson
5,996,503 A 12/1999 Woodall et al.
7,075,770 B1 7/2006 Smith
7,305,787 B1 12/2007 Stratbucker
D570,948 S * 6/2008 Cerovic D22/108
7,444,939 B2 * 11/2008 McNulty F41H 13/0025
102/502
D602,109 S * 10/2009 Cerovic D22/108
7,600,337 B2 10/2009 Nerheim et al.
7,673,411 B1 3/2010 Baldwin
7,676,972 B2 3/2010 Smith et al.

OTHER PUBLICATIONS

Raysun X-1 Product Description by Defenders Network, Inc., accessed at least as early as Dec. 21, 2012, available at <http://www.defend-net.com/raysun/index.options.html>.

(Continued)

Primary Examiner — Michael A. Pratt
(74) *Attorney, Agent, or Firm* — IPTechLaw

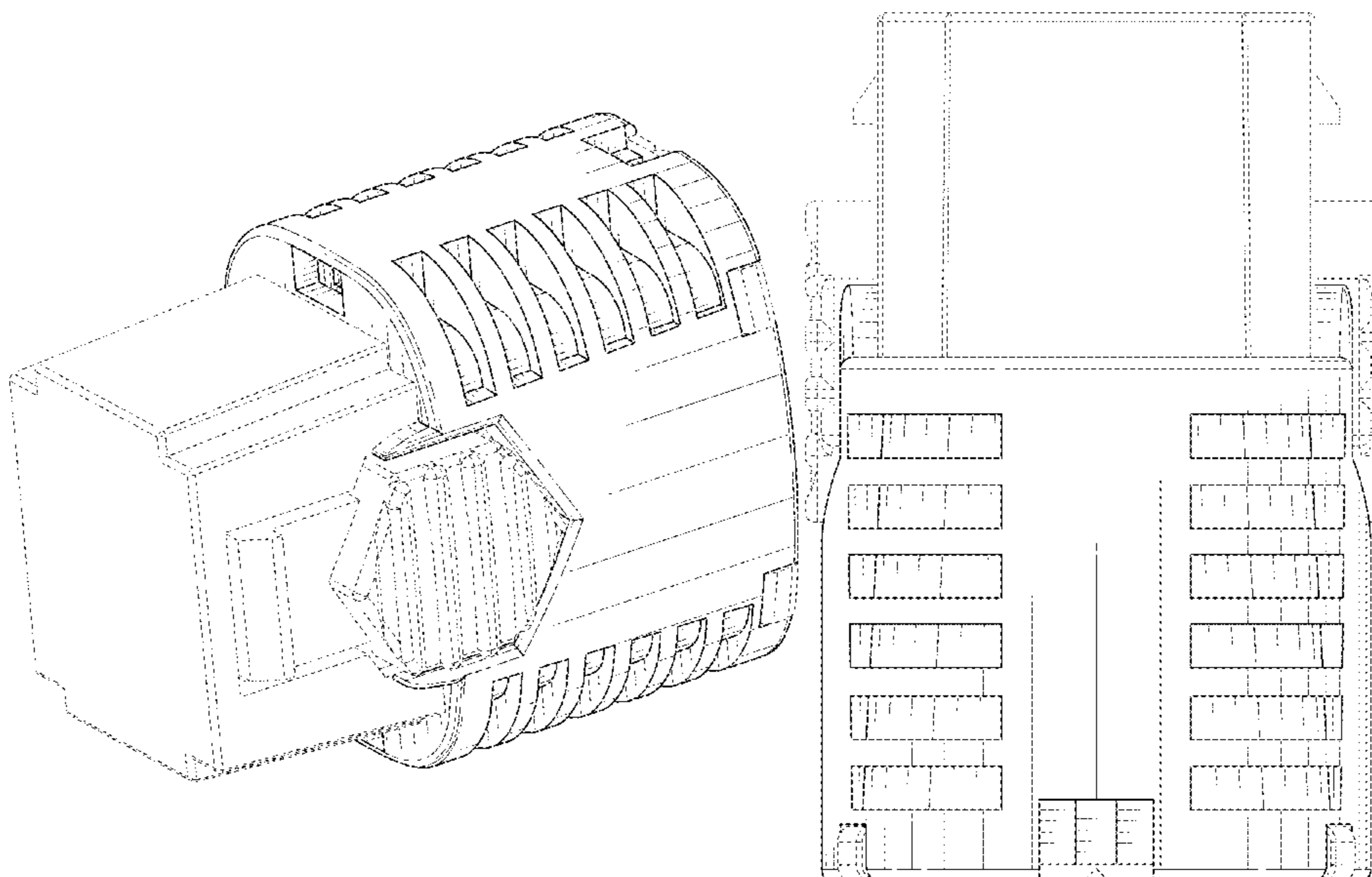
(57) **CLAIM**

The ornamental design for a cartridge, as shown and described.

DESCRIPTION

FIG. 1 is a perspective view of a cartridge;
FIG. 2 is a top view thereof, the bottom view being a mirror image;
FIG. 3 is left side view thereof, the right side being a mirror image;
FIG. 4 is a front view thereof; and,
FIG. 5 is a rear view thereof.
All broken lines represent unclaimed features of the article to which the design is applied.

1 Claim, 5 Drawing Sheets



(56)

References Cited

U.S. PATENT DOCUMENTS

2010/0315755 A1 12/2010 Gavin

OTHER PUBLICATIONS

Raysun XI Multi-Mode Police Weapon Product Description by Defenders Network, Inc., accessed at least as early as Dec. 21, 2012, available at <http://www.defend-net.com/raysun/index.options.html>. Raysun XI Multi-Mode Police Weapon Catalog Page by Defenders Network, Inc., accessed at least as early as Dec. 21, 2012, available at <http://www.defend-net.com/raysun/Images/Raysun%20X1%20print.pdf>.

Raysun XI Non-Lethal Police Weapon Operations Manual by Defenders Network, Inc., published at least as early as 2009, available at <http://www.defend-net.com/raysun/Images/Raysun%20Instr.%20outside.pdf>.

Raysun X-I Product Advertisement on May 1, 2009 internet archive of www.JiunAn.com website, available at <http://web.archive.org/web/20090501084907/http://www.jiunan.com.tw/en/defense/stungun-x1.html>.

Taser x26P, X26C, & M26C Two Pack of Live Cartridges, <https://buy.taser.com/taser-x26p-two-pack-of-live-cartridges/> (last visited Dec. 13, 2017).

File History of U.S. Trademark Registration No. 4,423,789 (Serial No. 85497825), registered Oct. 29, 2013 and filed Dec. 16, 2011.

* cited by examiner

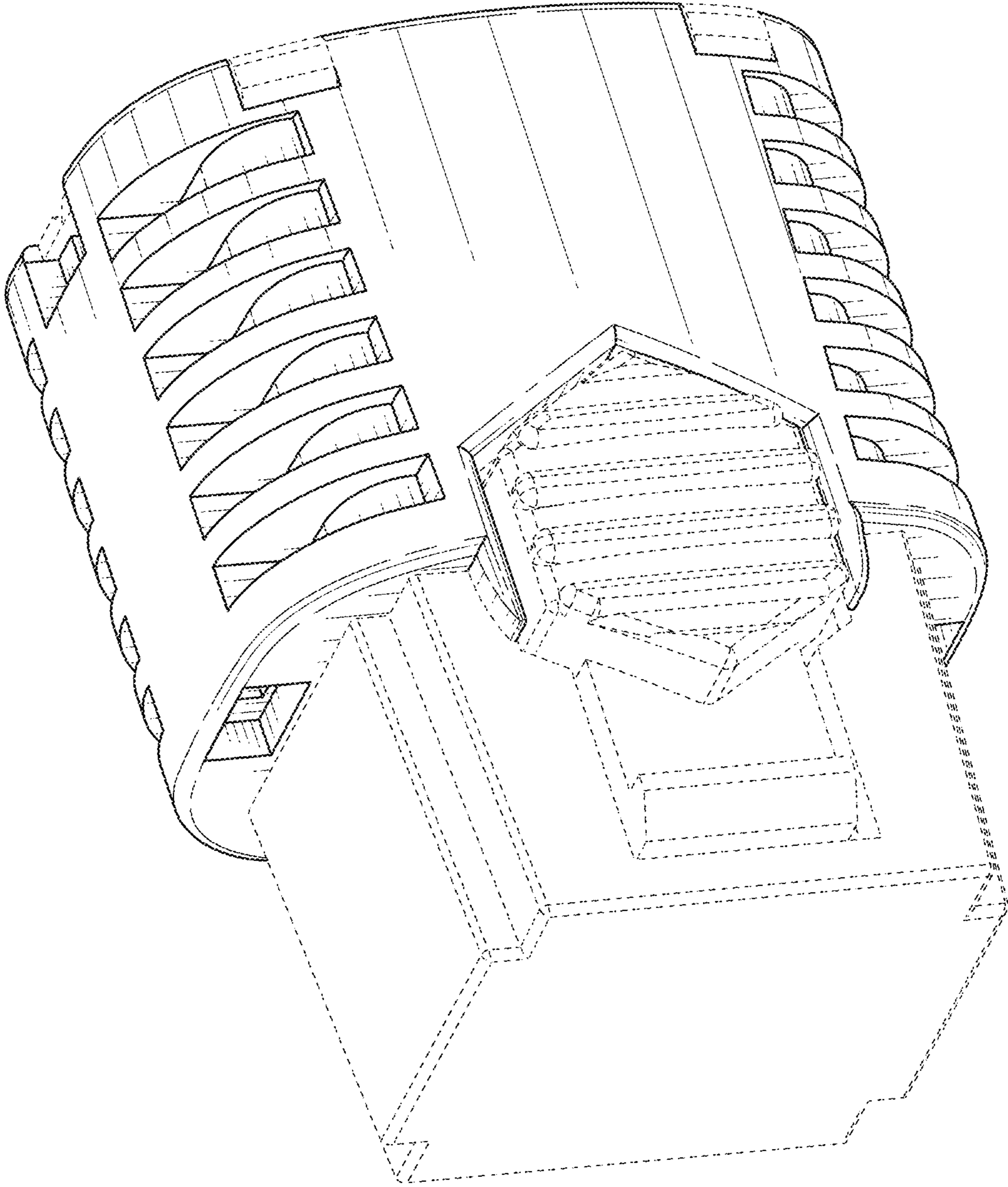


FIG. 1

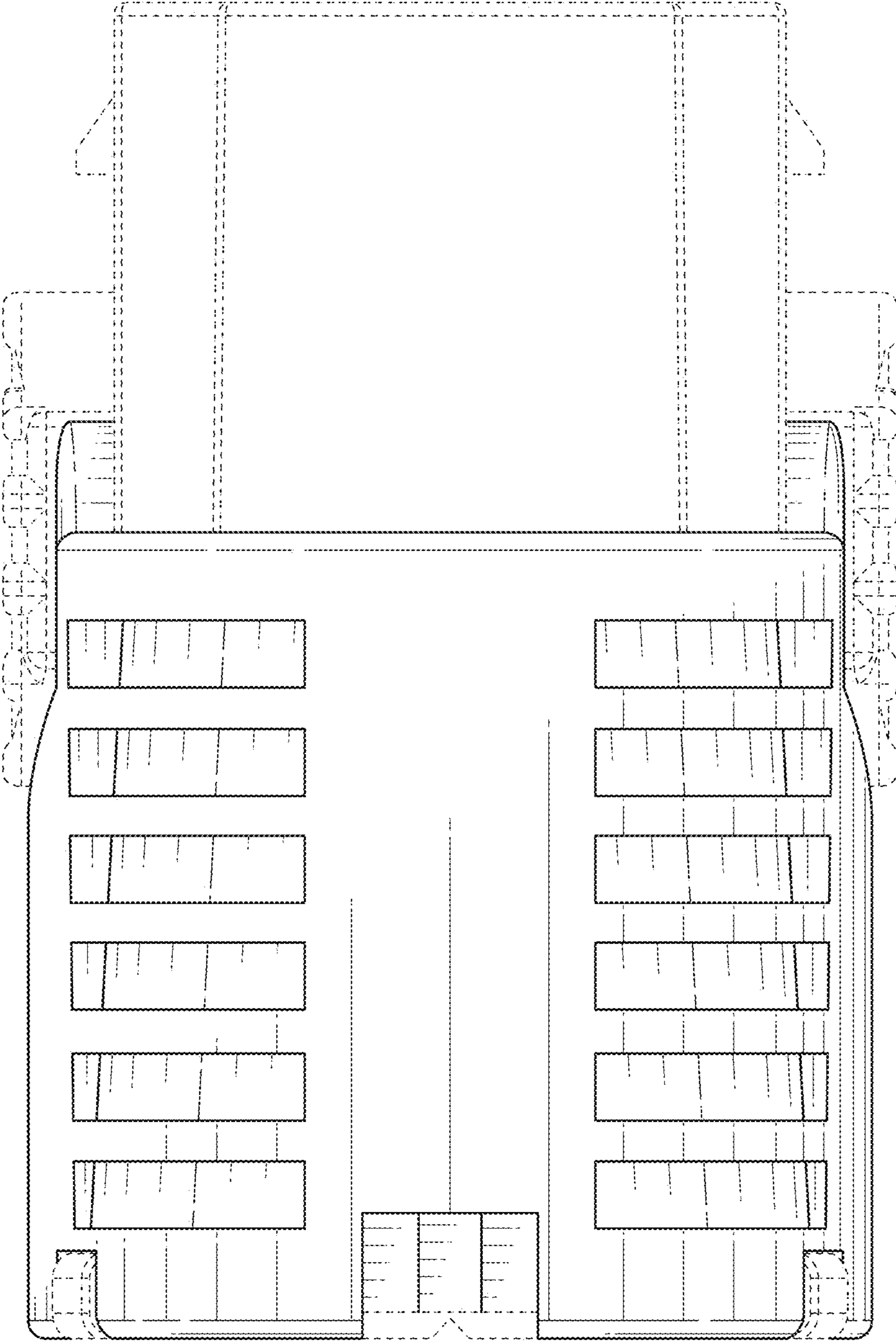


FIG. 2

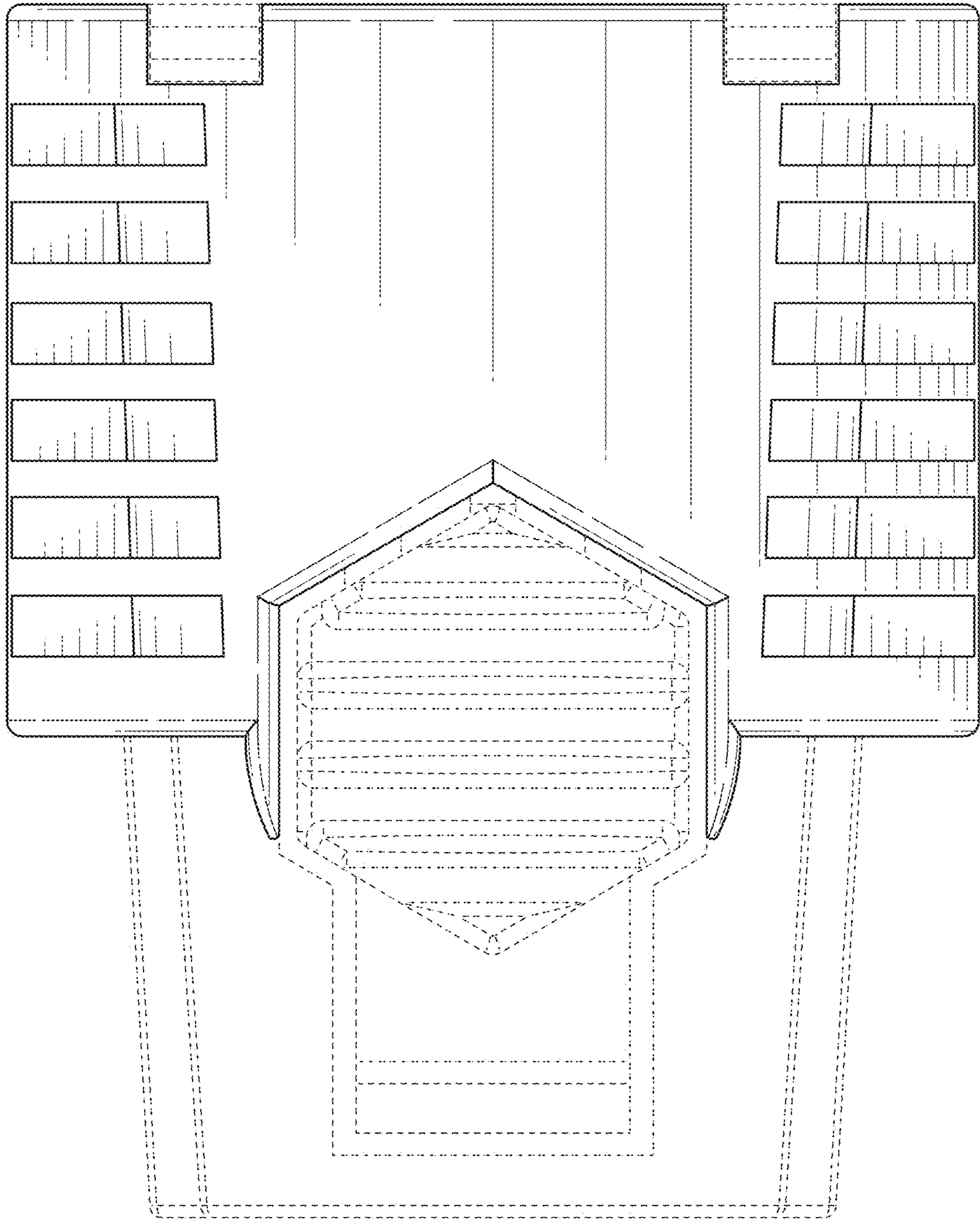


FIG. 3

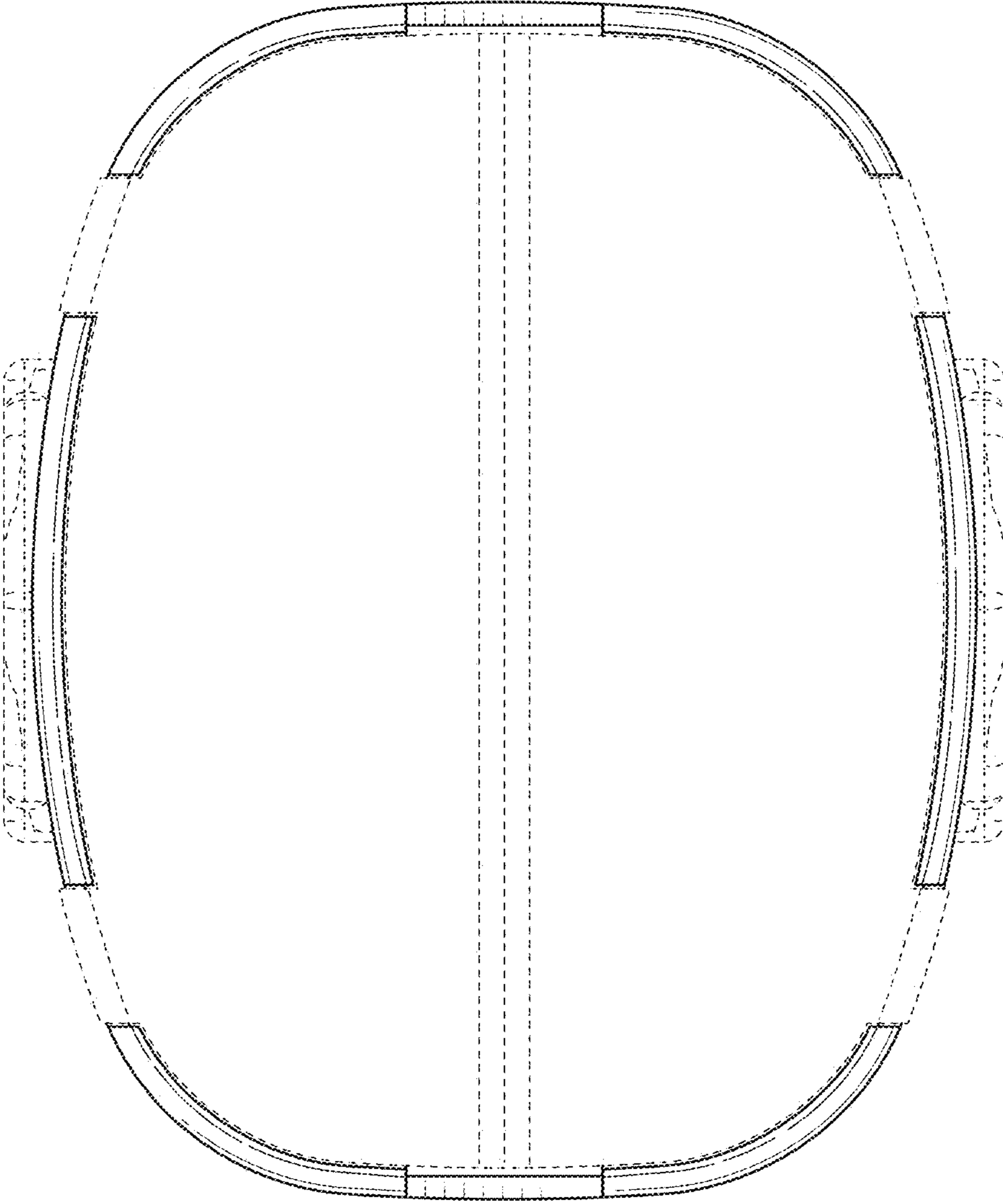


FIG. 4

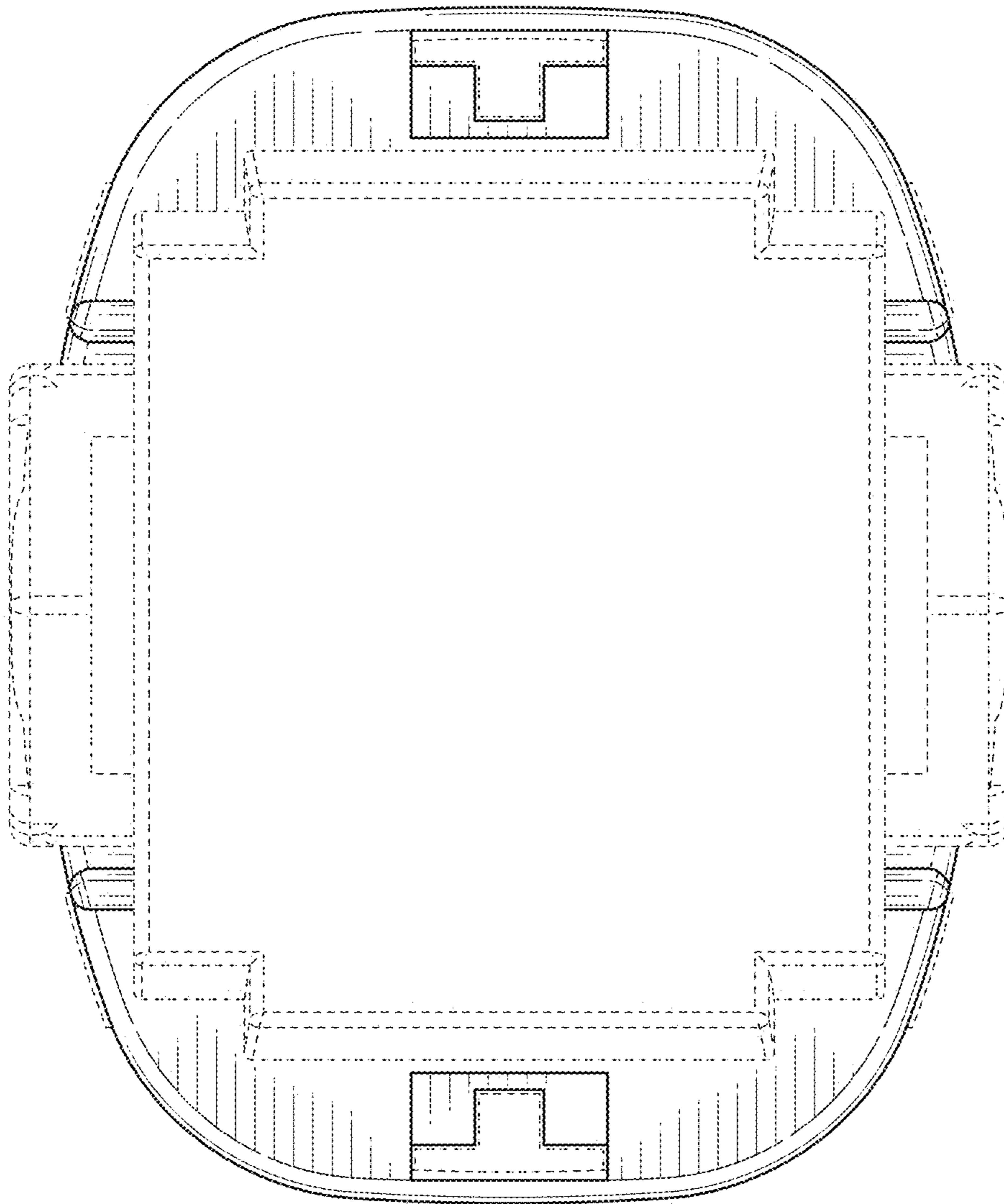


FIG. 5