



US00D974519S

(12) **United States Design Patent**
Liu

(10) **Patent No.:** **US D974,519 S**
(45) **Date of Patent:** **** Jan. 3, 2023**

(54) **RAIL MOUNT**

(71) Applicant: **Fu Liu**, Linxiang (CN)

(72) Inventor: **Fu Liu**, Linxiang (CN)

(**) Term: **15 Years**

(21) Appl. No.: **29/858,333**

(22) Filed: **Oct. 31, 2022**

(51) **LOC (14) Cl.** **22-01**

(52) **U.S. Cl.**
USPC **D22/110**

(58) **Field of Classification Search**
USPC D22/108, 109, 110
CPC F41G 1/00; F41G 1/22; F41G 11/003
See application file for complete search history.

(56) **References Cited**

U.S. PATENT DOCUMENTS

D291,468 S *	8/1987	Bechtel	D22/110
D537,499 S *	2/2007	Swan	D22/110
D588,672 S *	3/2009	Swan	D22/109
D591,383 S *	4/2009	Bengtsson	D22/110
D594,081 S *	6/2009	Grinshpan	D22/108
D603,927 S *	11/2009	Larsson	D22/109
D619,195 S *	7/2010	Bengtsson	D22/110
D623,254 S *	9/2010	Larsson	D22/108
D654,552 S *	2/2012	Wu	D22/108
D664,232 S *	7/2012	Storch	D22/108
D665,868 S *	8/2012	Storch	D22/110
D732,634 S *	6/2015	Cheng	D22/109
D768,257 S	10/2016	Boyd et al.		
D785,745 S *	5/2017	McKillips	D22/109
D811,511 S *	2/2018	Jenkinson	D22/108
D811,512 S *	2/2018	Jenkinson	D22/108
D835,748 S *	12/2018	Stewart	D22/110
D865,502 S	11/2019	Stener		
D888,540 S *	6/2020	Cheng	D22/109
D920,769 S	6/2021	Kovacs		
D953,472 S *	5/2022	Storch	D22/108

2005/0241212 A1*	11/2005	Swan	F41G 11/003	42/127
2008/0134559 A1*	6/2008	Swan	F41G 11/003	42/90
2012/0181406 A1*	7/2012	Gonzalez	F41G 11/003	248/316.2
2013/0256484 A1*	10/2013	Kessler	F16M 13/00	248/224.7

(Continued)

OTHER PUBLICATIONS

“Footprints/Mounting Standards on Red Dot Sights” [online], Andraž Gradišnik. [Published on May 25, 2019]. Retrieved from the Internet: <<https://optics-info.com/footprints-on-red-dot-sights/>>.*

(Continued)

Primary Examiner — Mojtaba Tehrani
(74) *Attorney, Agent, or Firm* — Daniel M. Cohn;
Howard M. Cohn

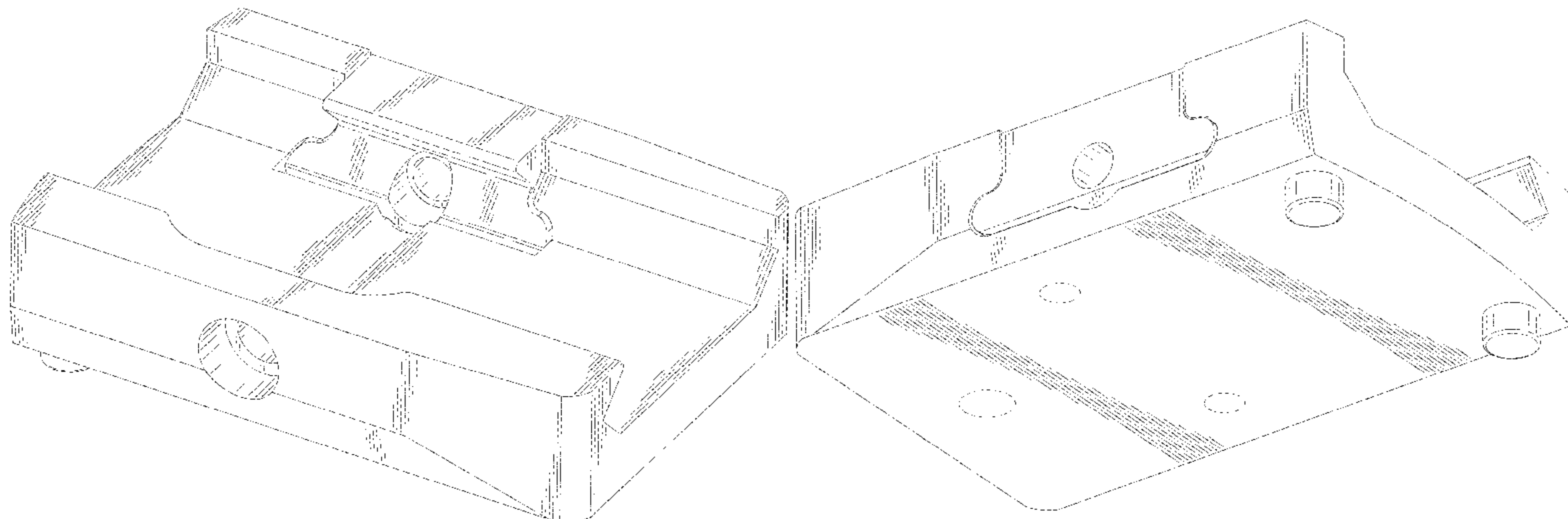
(57) **CLAIM**

The ornamental design for a rail mount, as shown and described.

DESCRIPTION

FIG. 1 is a front, right and top perspective view of a rail mount, showing my design;
FIG. 2 is a rear, left and top perspective view thereof;
FIG. 3 is a rear, left and bottom perspective view thereof;
FIG. 4 is a front elevational view thereof;
FIG. 5 is a rear elevational view thereof;
FIG. 6 is a left side elevational view thereof;
FIG. 7 is a right side elevational view thereof;
FIG. 8 is a top plan view thereof; and,
FIG. 9 is a bottom plan view thereof.
The broken lines in the drawings depict unclaimed portions of the rail mount only, which form no part of the claimed design.

1 Claim, 9 Drawing Sheets



(56)

References Cited

U.S. PATENT DOCUMENTS

2014/0373329 A1* 12/2014 Volfson F16M 13/02
248/221.11
2018/0053607 A1* 2/2018 McCauley F41G 11/003
2018/0202769 A1* 7/2018 Kolvek F41C 27/00
2018/0340754 A1* 11/2018 Cosentino F41G 11/003
2018/0340755 A1* 11/2018 Cosentino F41G 11/003
2019/0145731 A1* 5/2019 Stewart F41C 27/00
42/90
2019/0242677 A1* 8/2019 Ding F41G 11/003
2020/0326157 A1* 10/2020 Curry F41A 21/484

OTHER PUBLICATIONS

“Mounts & Accessories” [online]. Trijicon.com. [Retrieved on Nov. 5, 2022]. Retrieved from the Internet: <<https://www.trijicon.com/products/mounts-accessories/mounts-rings>>.*

“Ohhunt Ruggedized Miniature RMR Red Dot Reflex Low Picatinny Rail Mount for RMR and SRO” [online]. Ohhunt. [Product first available on Jun. 15, 2016]. Retrieved from the Internet: <<https://www.amazon.com/dp/B01H3XE18S>>.*

* cited by examiner

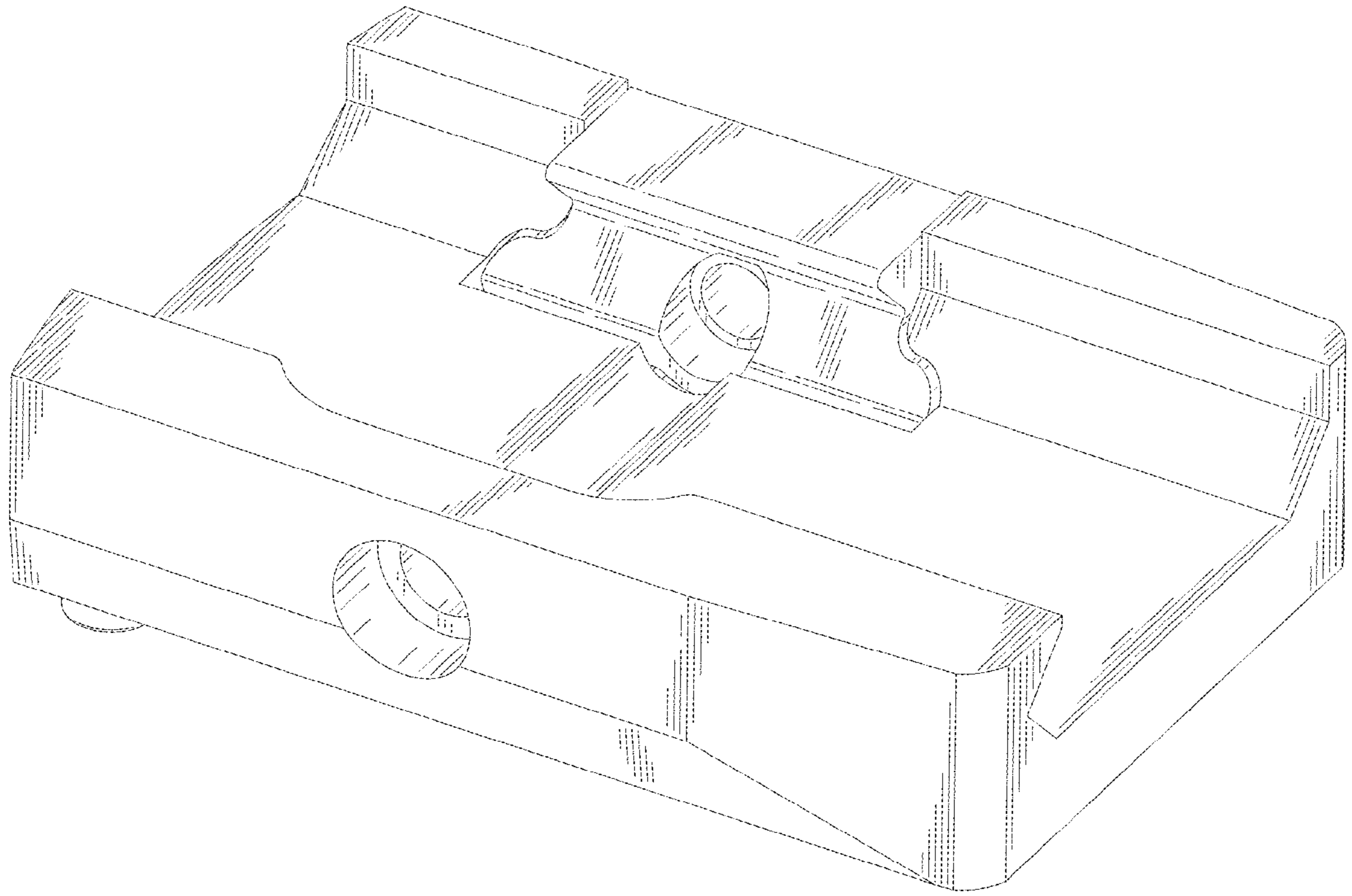


FIG. 1

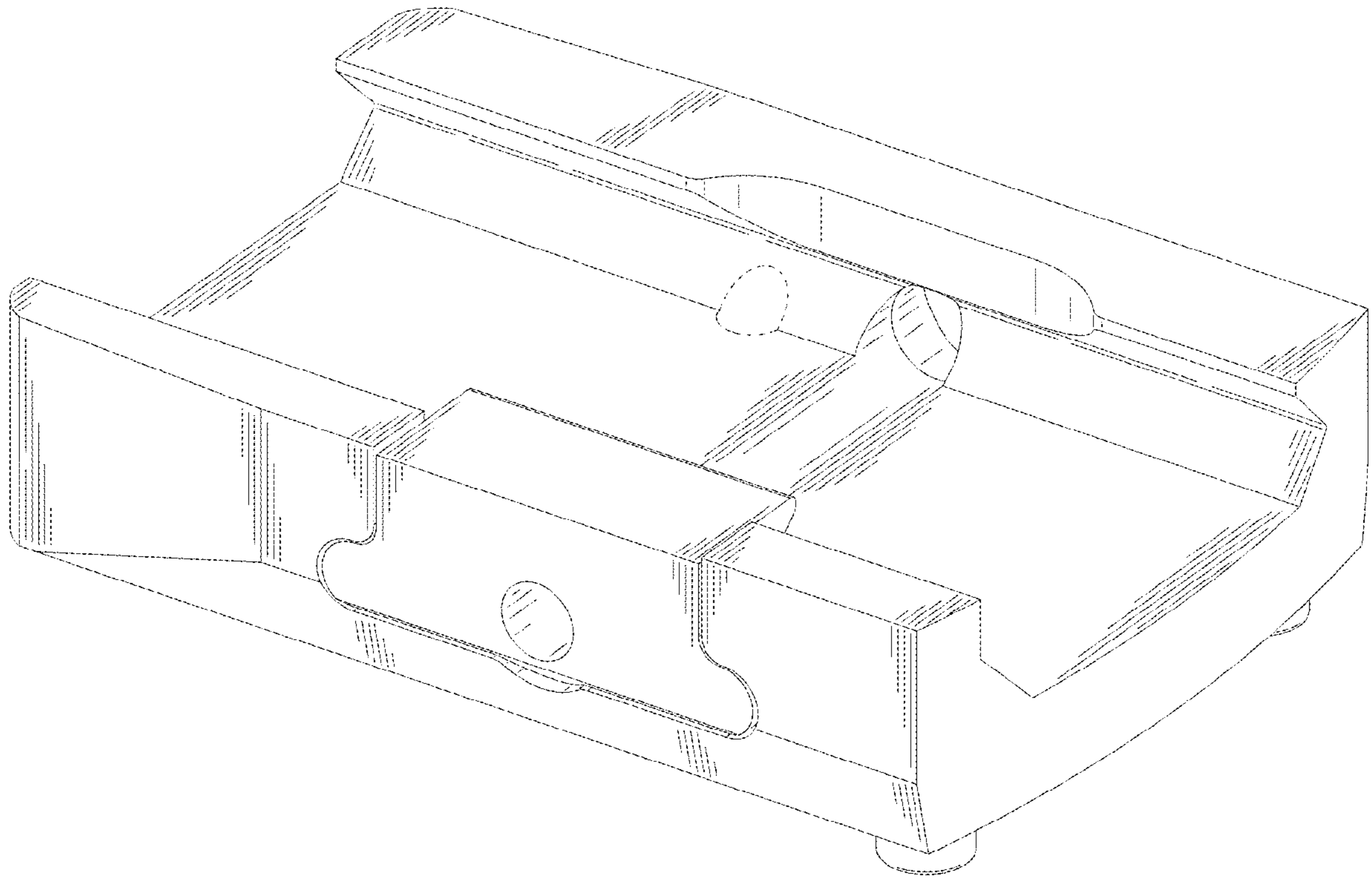


FIG. 2

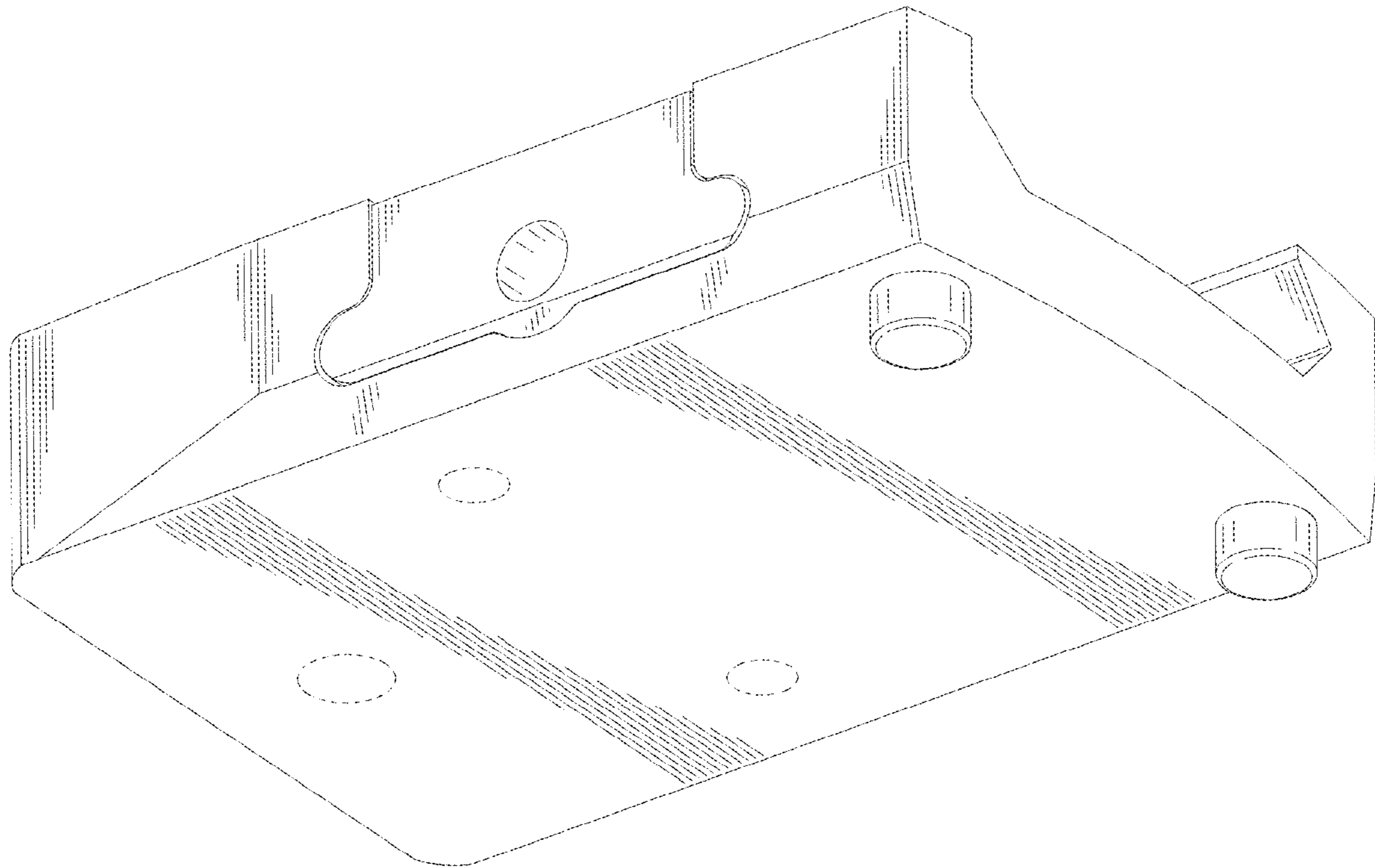


FIG. 3

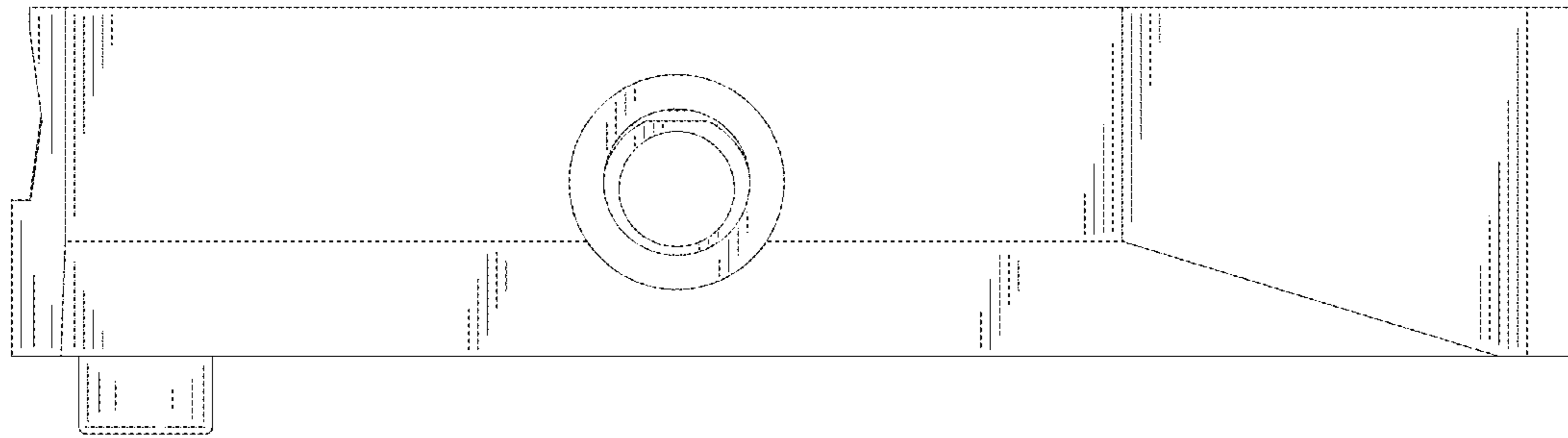


FIG. 4

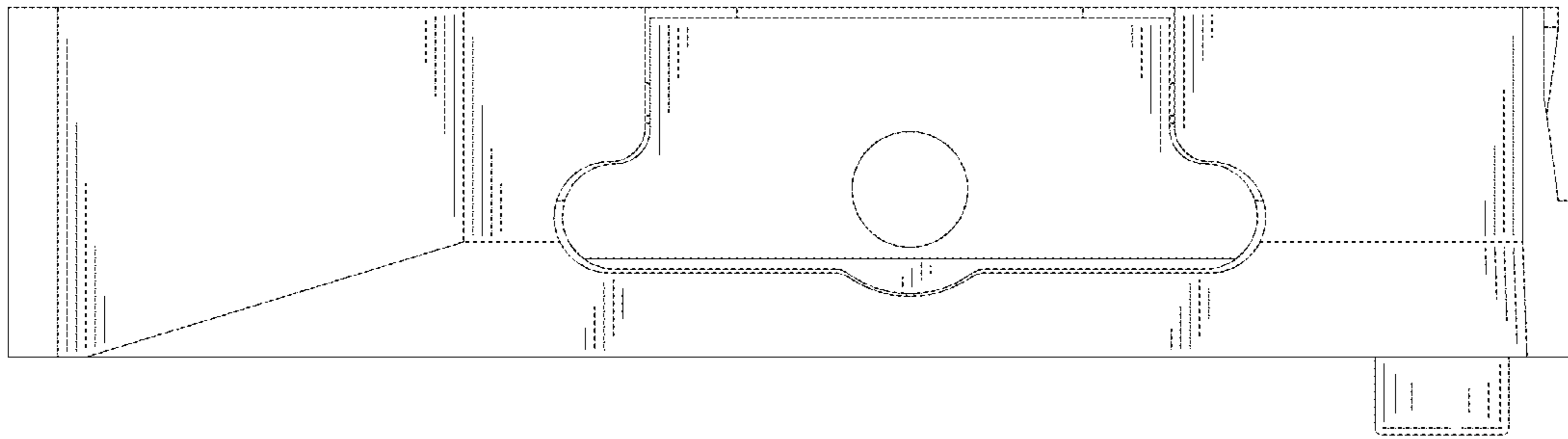


FIG. 5

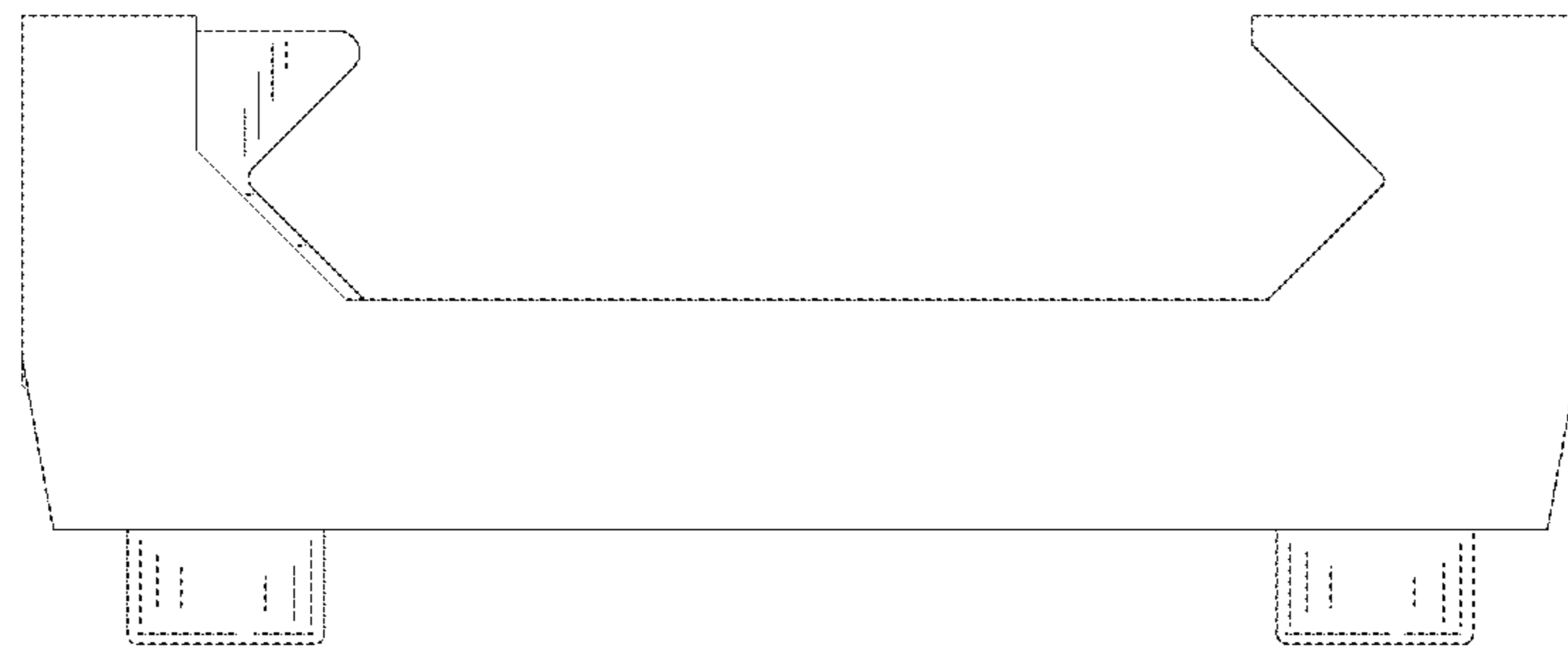


FIG. 6

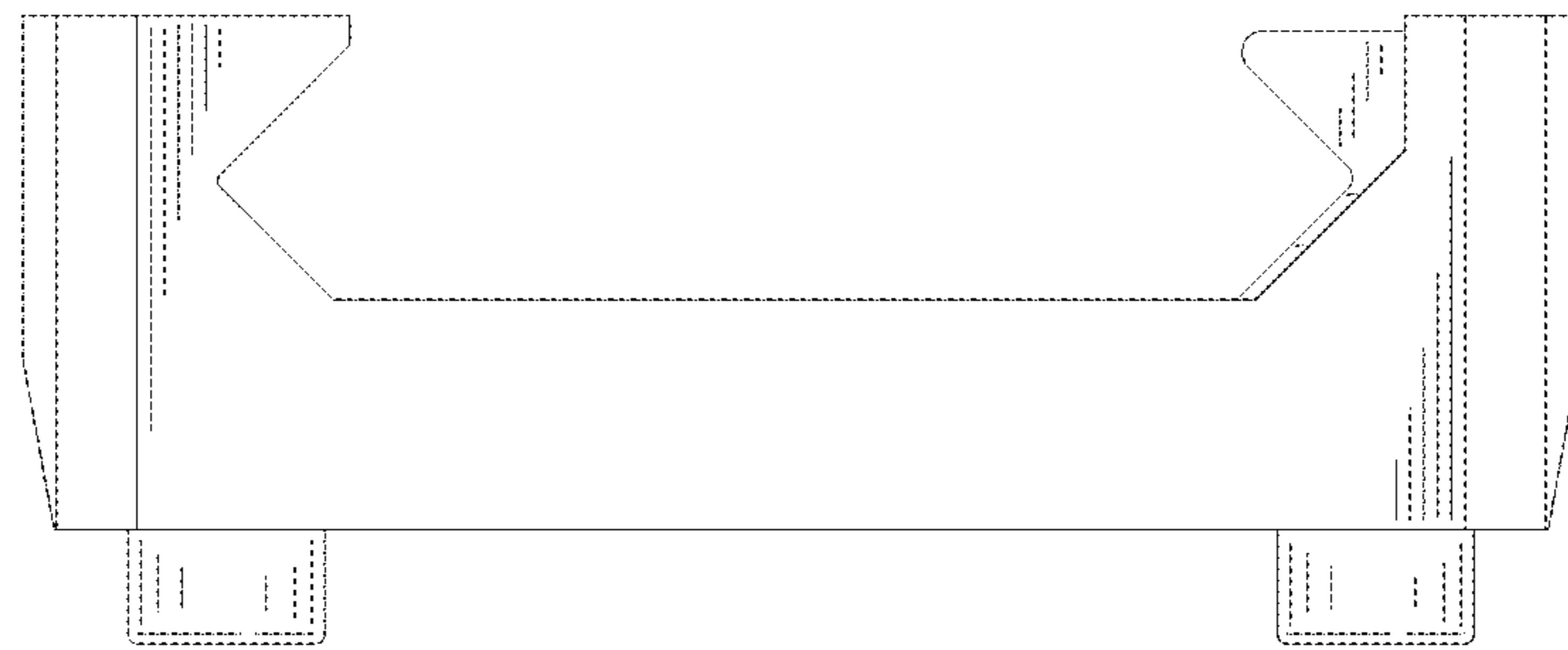


FIG. 7

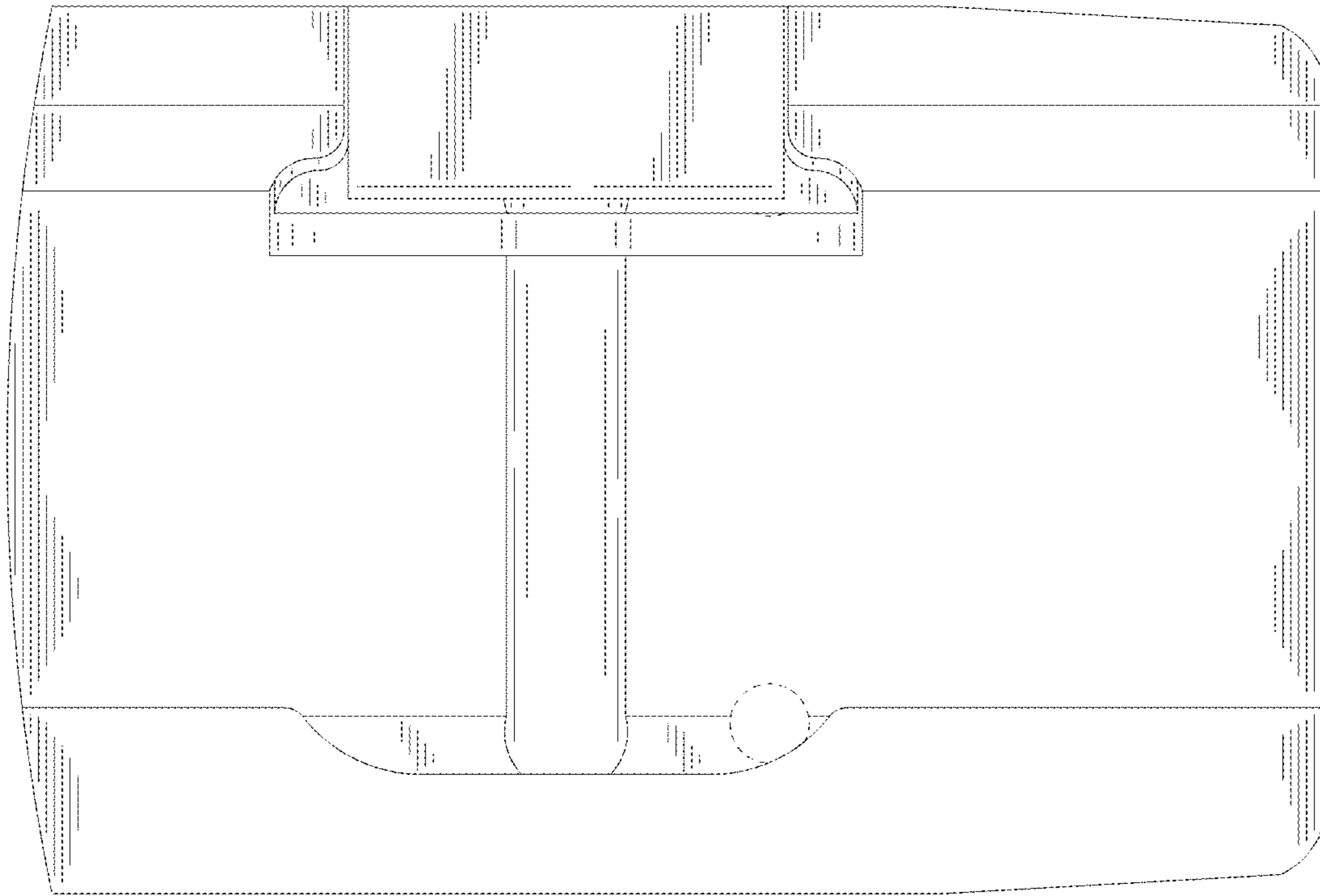


FIG. 8

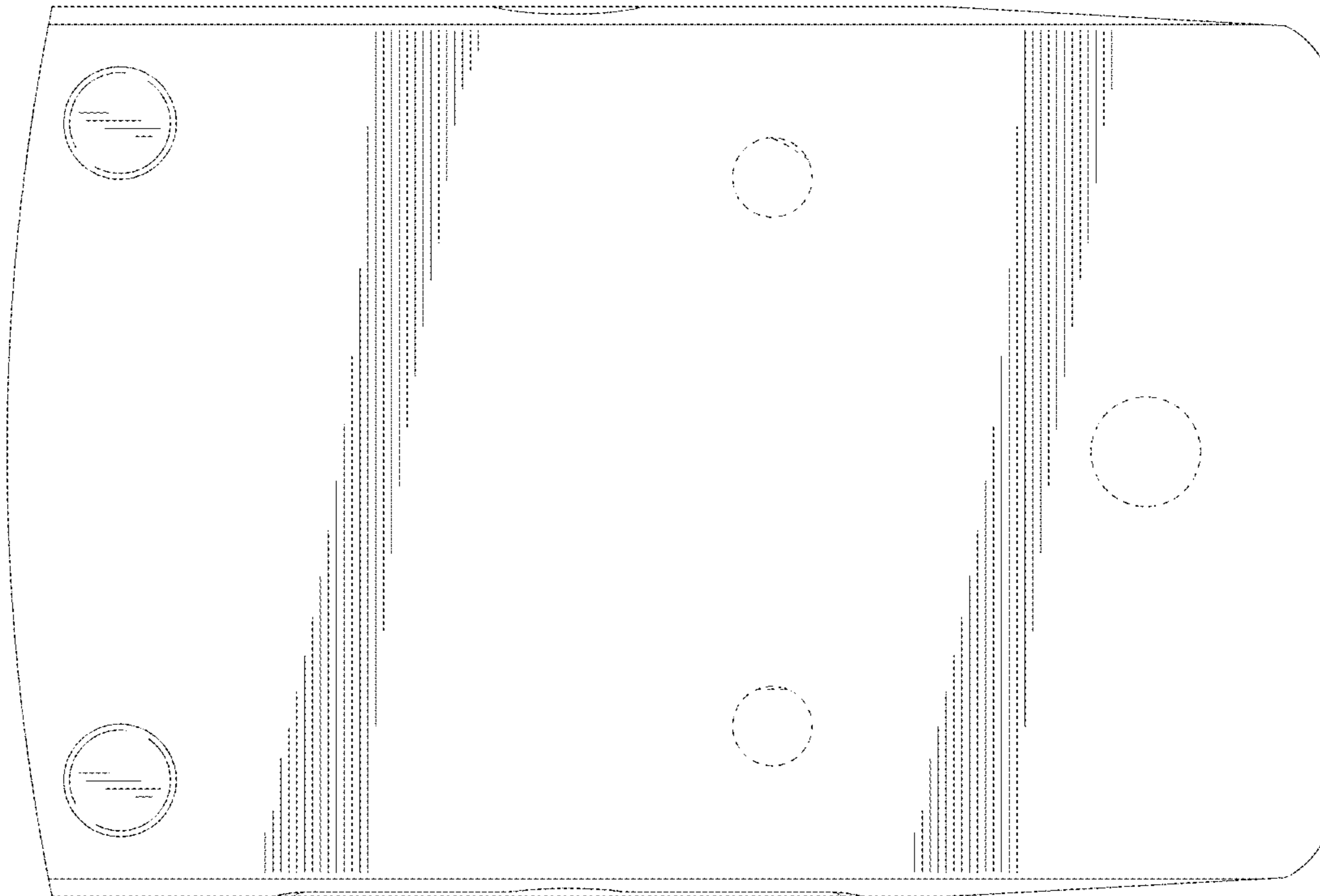


FIG. 9