



US00D974518S

(12) **United States Design Patent** (10) **Patent No.:** **US D974,518 S**
Gurynovich (45) **Date of Patent:** **** Jan. 3, 2023**

(54) **OPTICAL SIGHT**

(71) Applicant: **UAB “Yukon Advanced Optics Worldwide”, Vilnius (LT)**

(72) Inventor: **Siarhei Gurynovich, Vilnius (LT)**

(**) Term: **15 Years**

(21) Appl. No.: **35/512,872**

(22) Filed: **Feb. 26, 2021**

(80) **Hague Agreement Data**

Int. Filing Date: **Feb. 26, 2021**

Int. Reg. No.: **DM/217074**

Int. Reg. Date: **Feb. 26, 2021**

Int. Reg. Pub. Date: **Nov. 5, 2021**

(51) **LOC (14) Cl.** **22-01**

(52) **U.S. Cl.**
USPC **D22/109**

(58) **Field of Classification Search**
USPC D22/109–110; D16/16, 132, 130, 133,
D16/330, 134
CPC F41G 1/16; F41G 1/28; F41G 1/22; F41G
11/001; F41G 11/003; F41G 11/004;
F41G 1/00; F41G 1/38; F41G 11/005;
F41G 11/00

See application file for complete search history.

(56) **References Cited**

U.S. PATENT DOCUMENTS

| | | | | |
|--------------|------|--------|-------------------|------------------------|
| 7,990,523 | B2 * | 8/2011 | Schlierbach | F41G 3/065 356/5.01 |
| 10,180,565 | B2 * | 1/2019 | Havens | G02B 23/16 |
| 2006/0010762 | A1 * | 1/2006 | Lin | F41G 1/38 42/142 |
| 2007/0175081 | A1 * | 8/2007 | Lacorte | F41G 1/38 42/142 |
| 2015/0106046 | A1 * | 4/2015 | Chen | G01B 11/00 702/94 |
| 2018/0128576 | A1 * | 5/2018 | Zang | F41G 11/004 |

* cited by examiner

Primary Examiner — Michael A. Pratt

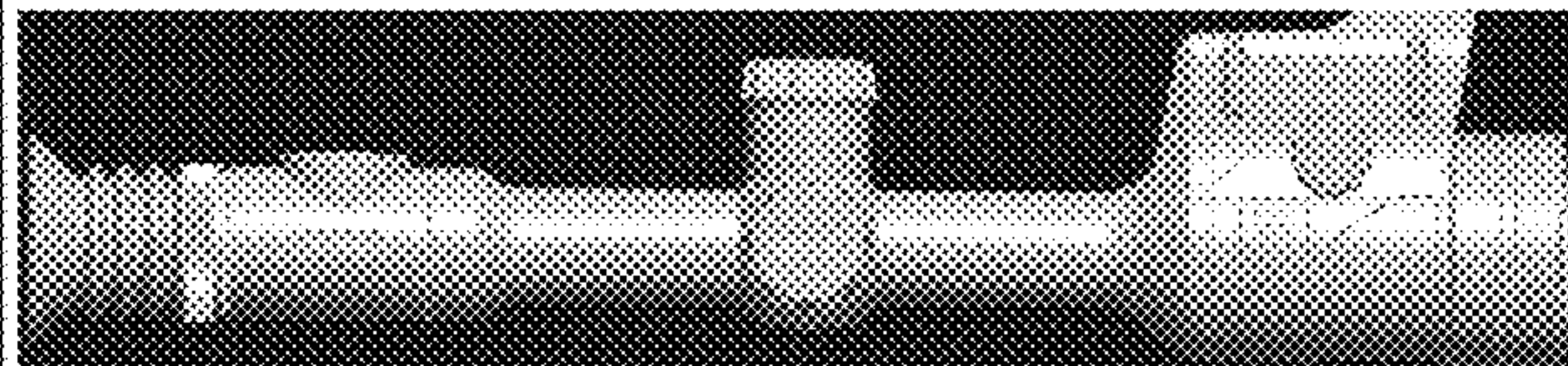
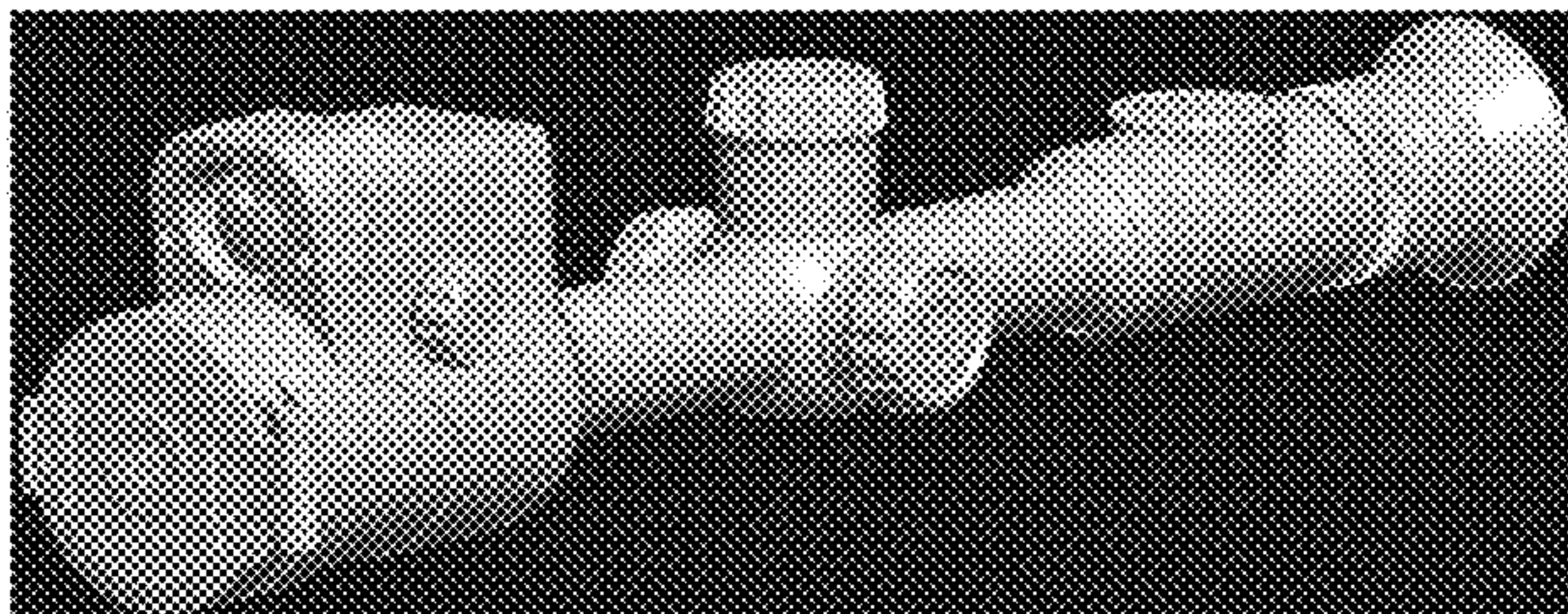
(57) **CLAIM**

The ornamental design for optical sight, as shown and described.

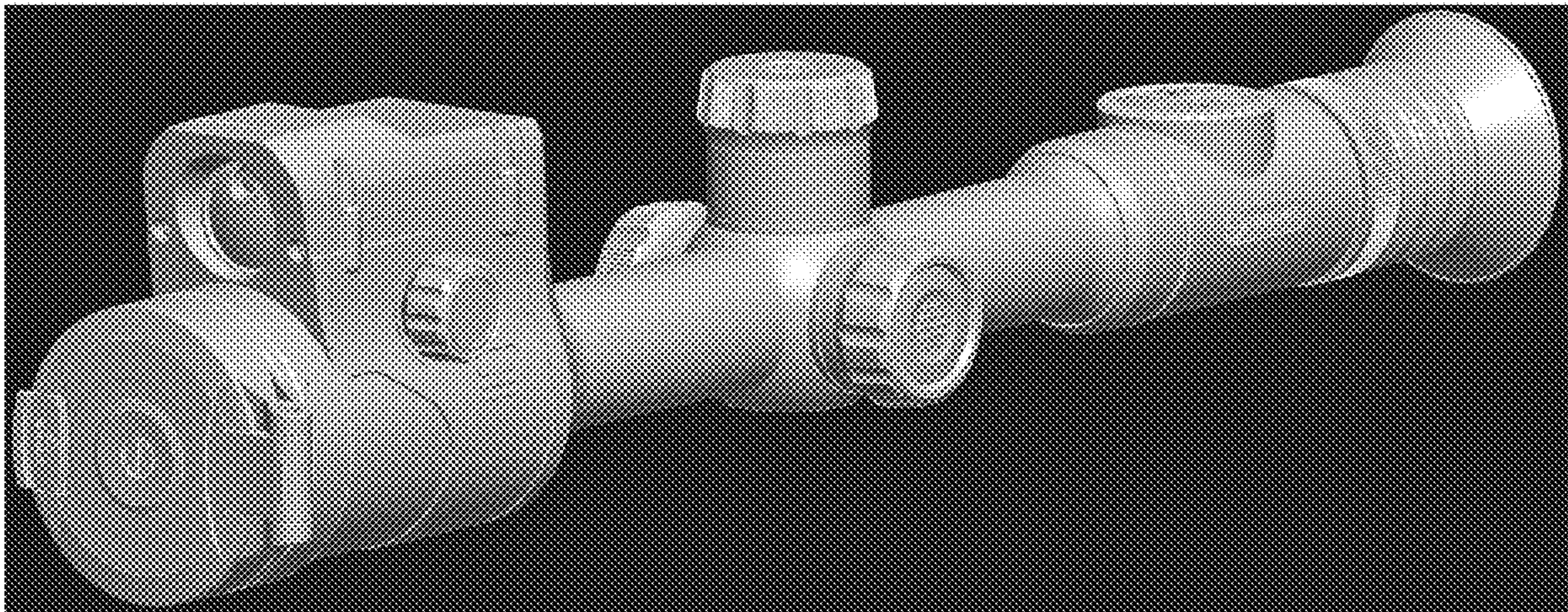
DESCRIPTION

- 1. Optical sight
- 1.1: Perspective
- 1.2: Top
- 1.3: Left
- 1.4: Right
- 1.5: Bottom
- 1.6: Rear
- 1.7: Front

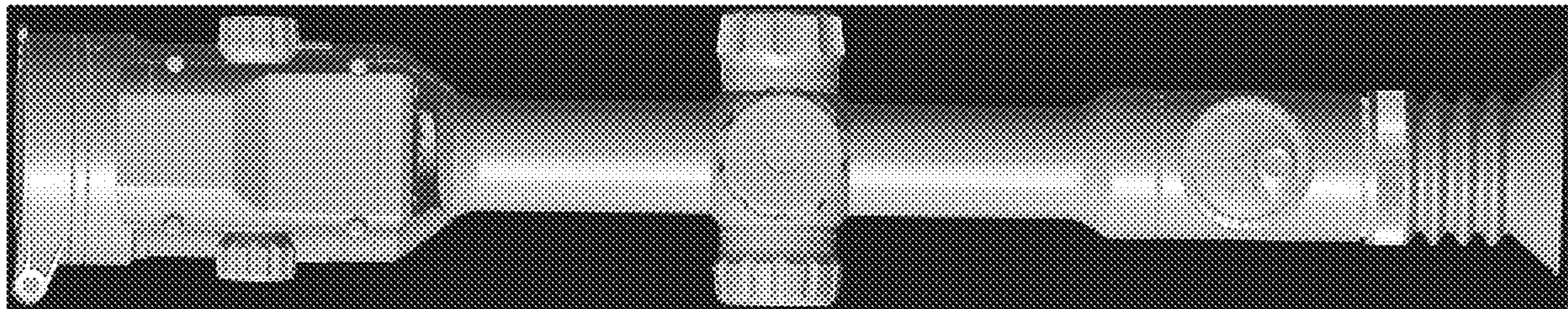
1 Claim, 7 Drawing Sheets



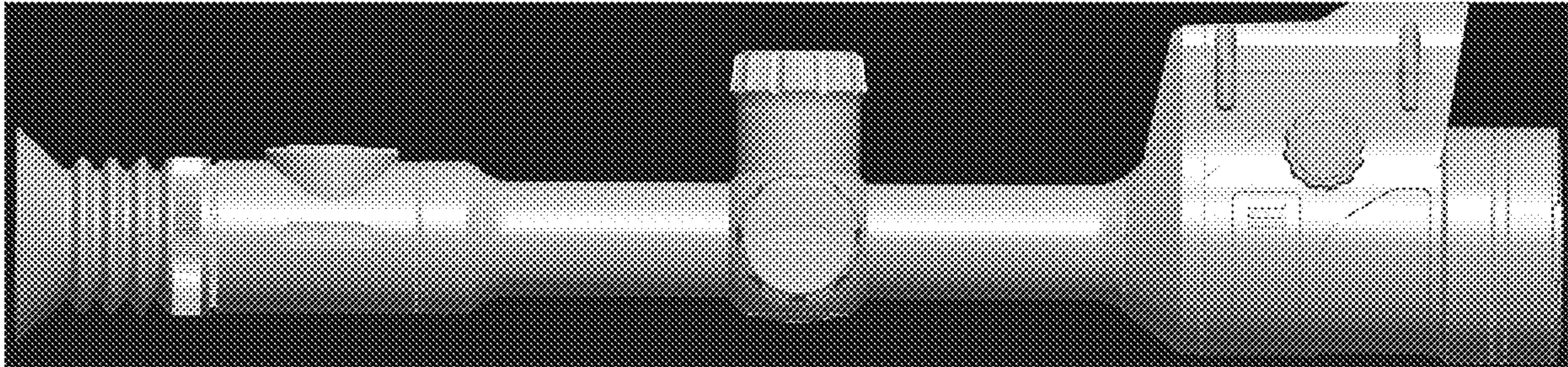
1.1



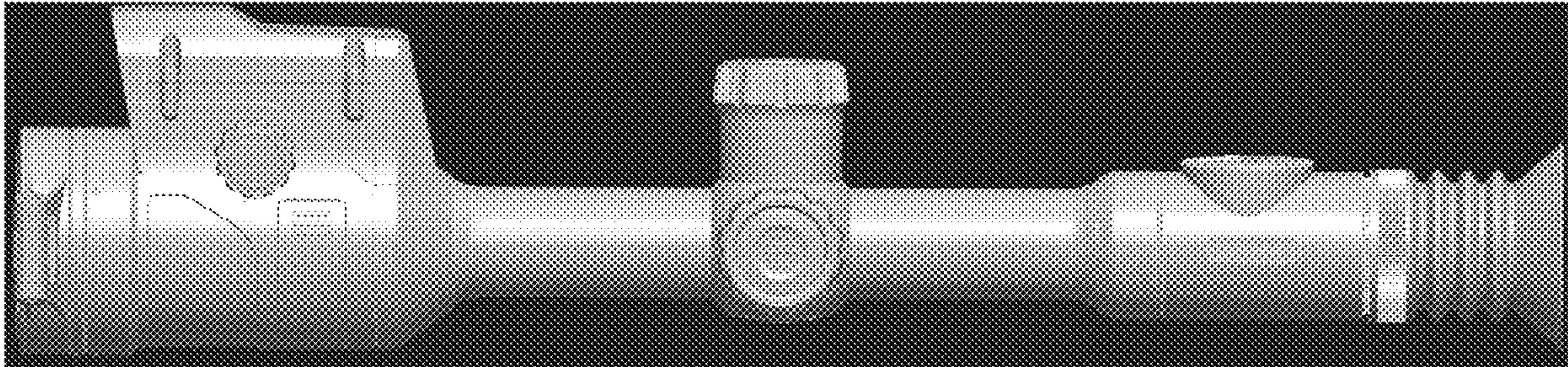
1.2



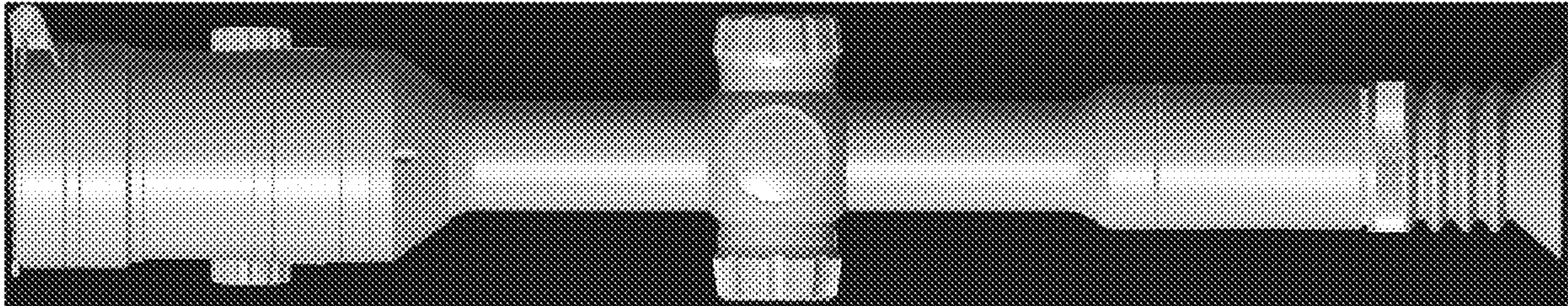
1.3



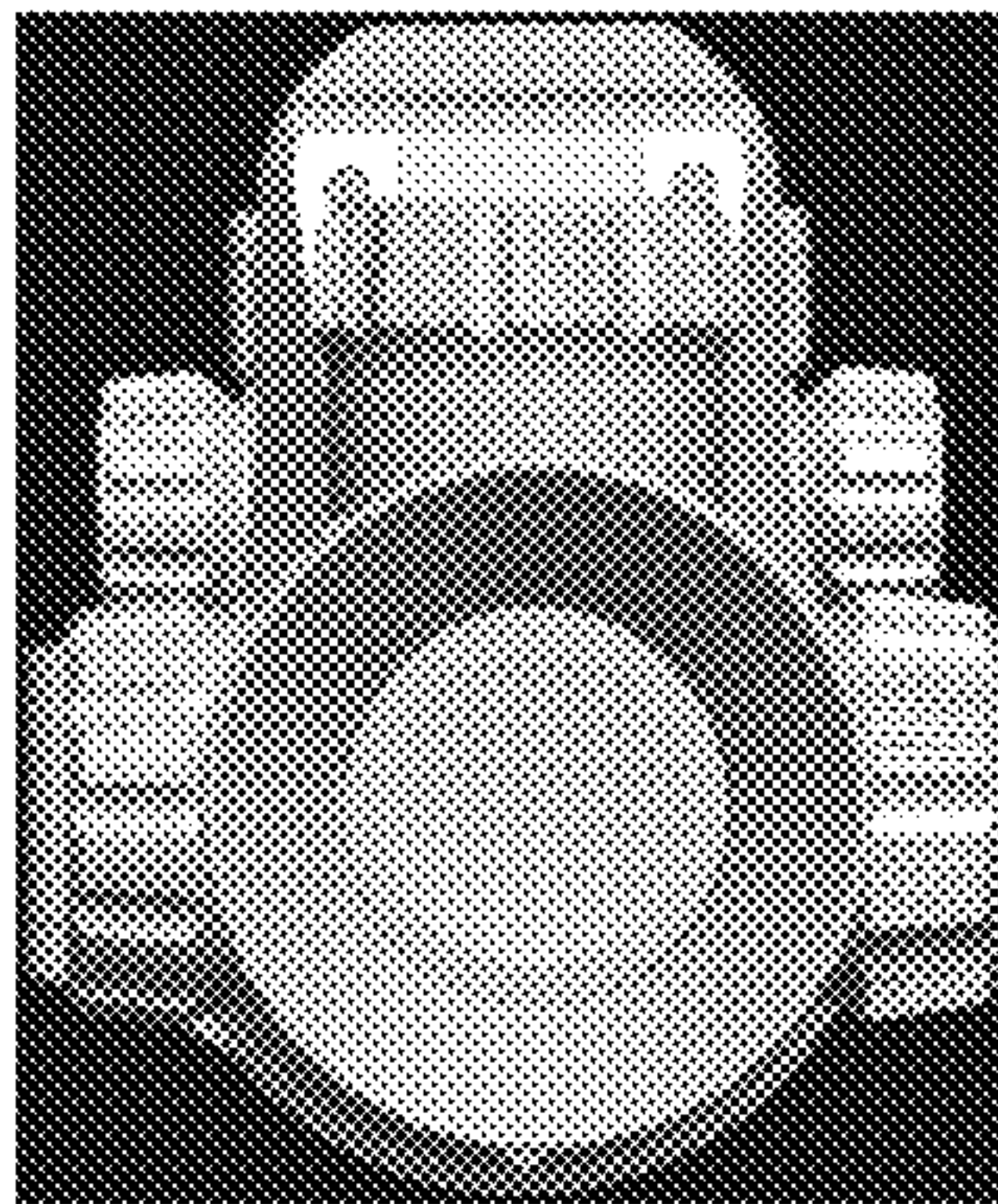
1.4



1.5



1.6



1.7

