

US00D974517S

(12) **United States Design Patent**
Alexander et al.

(10) **Patent No.:** **US D974,517 S**
(45) **Date of Patent:** **** Jan. 3, 2023**

(54) **SLIDE STOP**

(71) Applicant: **AJ'S PRODUCTS, LLC,**
Jeffersonville, KY (US)

(72) Inventors: **Barry Alexander,** Clay City, KY (US);
Ryan Junge, Jeffersonville, KY (US)

(73) Assignee: **AJ'S PRODUCTS, LLC,**
Jeffersonville, KY (US)

(**) Term: **15 Years**

(21) Appl. No.: **29/789,352**

(22) Filed: **Sep. 17, 2021**

(51) **LOC (14) Cl.** **22-01**

(52) **U.S. Cl.**
USPC **D22/108**

(58) **Field of Classification Search**
USPC D22/108, 109, 110, 199
CPC F41G 1/16; F41G 1/02; F41G 1/06; F41G
1/14; F41G 1/38; F41G 1/40; F41A 23/00
See application file for complete search history.

(56) **References Cited**

U.S. PATENT DOCUMENTS

708,794 A	9/1902	Browning	
984,519 A	2/1911	Browning	
2,169,084 A	8/1939	Swartz	
4,397,112 A *	8/1983	York	F41A 23/08 D22/108
4,539,889 A	9/1985	Glock	
4,915,011 A	4/1990	Smith	
5,129,172 A	7/1992	Brennan	
D416,068 S *	11/1999	Jezek	D22/108
7,210,261 B2 *	5/2007	Aracheques	F41G 1/16 42/141
7,395,627 B2	7/2008	La France et al.	
D661,766 S	6/2012	Siddle et al.	
D702,308 S	4/2014	Glock	
9,435,592 B2	9/2016	Curry	
9,482,480 B2 *	11/2016	O'Dell	F41A 17/36

9,651,326 B2 *	5/2017	Weilharter	F41A 17/34
D828,892 S	9/2018	Kellgren	
D919,964 S *	5/2021	Evans	D3/222
11,137,223 B2 *	10/2021	Christiansen	F41A 9/38
2011/0283580 A1 *	11/2011	Esch	F41A 17/42 403/362

OTHER PUBLICATIONS

“Demo of AJ’s Products slide release” [online]. Reddit. [Published on Jun. 12, 2022]. Retrieved from the Internet: <https://www.reddit.com/r/1911/comments/vayfqs/demo_of_ajs_products_slide_release/>.*

(Continued)

Primary Examiner — Mojtaba Tehrani

(74) *Attorney, Agent, or Firm* — McKee, Voorhees & Sease, PLC

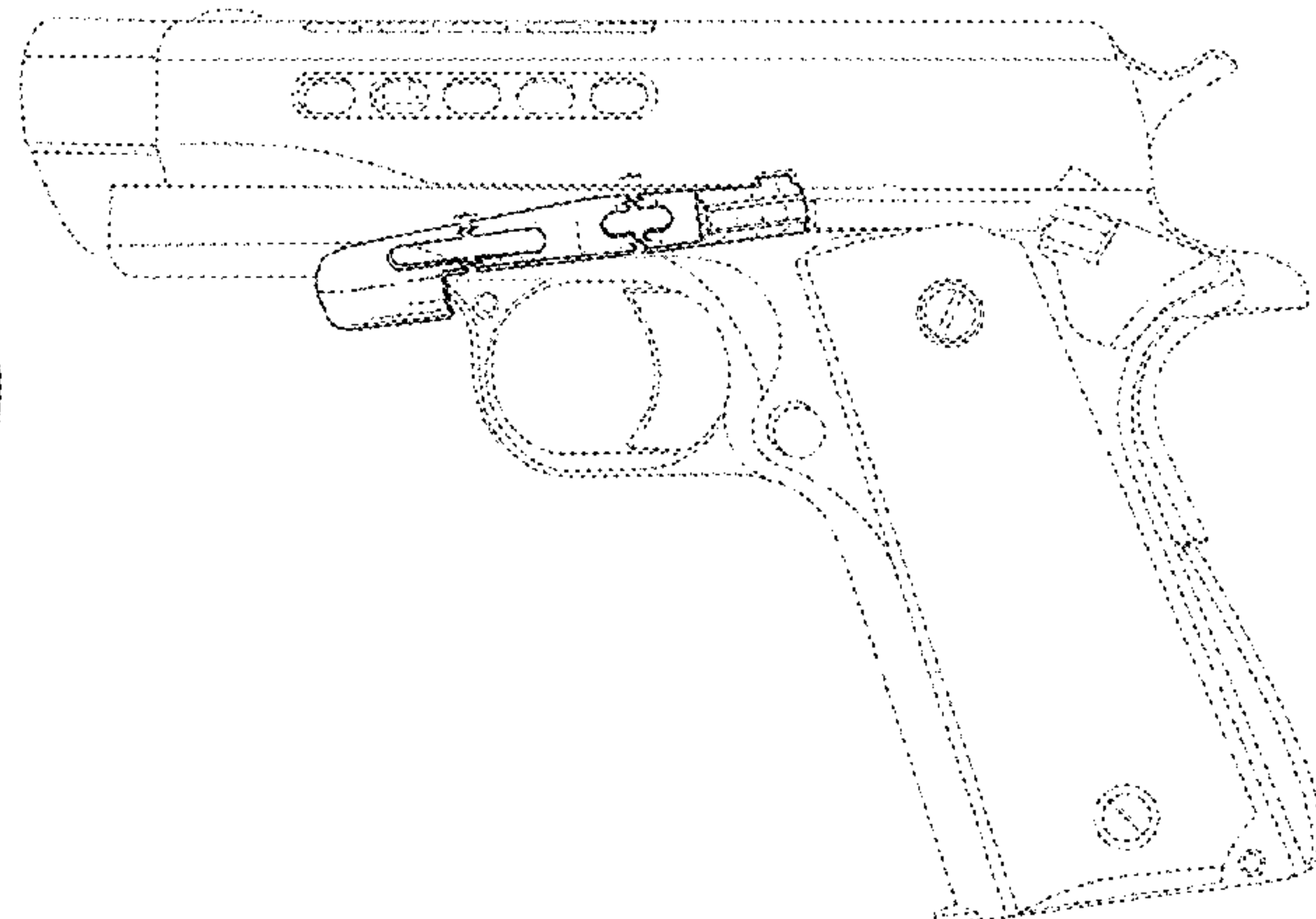
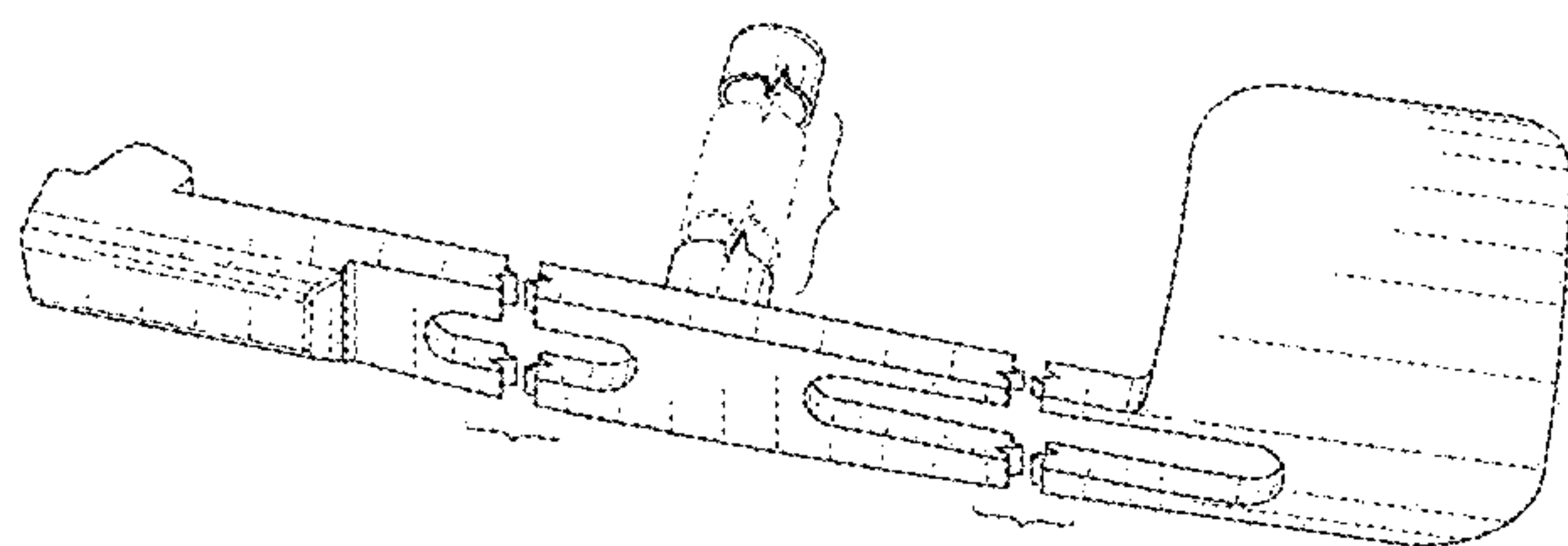
(57) **CLAIM**

The ornamental design for slide stop, as shown and described.

DESCRIPTION

FIG. 1 is a perspective view of a slide stop; FIG. 2 is a another perspective view thereof; FIG. 3 is a front elevational view thereof; FIG. 4 is a rear elevational view thereof; FIG. 5 is a top elevational view thereof; FIG. 6 is a bottom elevational view thereof; FIG. 7 is a left-side elevational view thereof; FIG. 8 is a right-side elevational view thereof; and, FIG. 9 is an environmental view thereof. Structure, environment, and/or boundaries shown in broken lines form(s) no part of the claimed design. Some aspects of the slide stop are shown with symbolic breaks in width or length. The appearance of any portion of the slide stop between the break lines forms no part of the claimed design.

1 Claim, 7 Drawing Sheets



(56)

References Cited

OTHER PUBLICATIONS

“The Combat Slide Stop—Now Available!” [online]. AJ’s Products. [Published on Jun. 20, 2022]. Retrieved from the Internet: <<https://www.youtube.com/watch?v=ussz2KFUI1s>>.*

“1911 Auto”, Brownells Catalog, pp. 105-155, www.brownells.com, accessed Aug. 23, 2021.

“Pistol Index”, Brownells Catalog, pp. 214-243, www.brownells.com, accessed Aug. 23, 2021.

“Wilson Combat 1911 Training Tip: Reloading”, YouTube, https://www.youtube.com/watch?v=47dBkOjmN_wW, accessed Apr. 14, 2017.

* cited by examiner

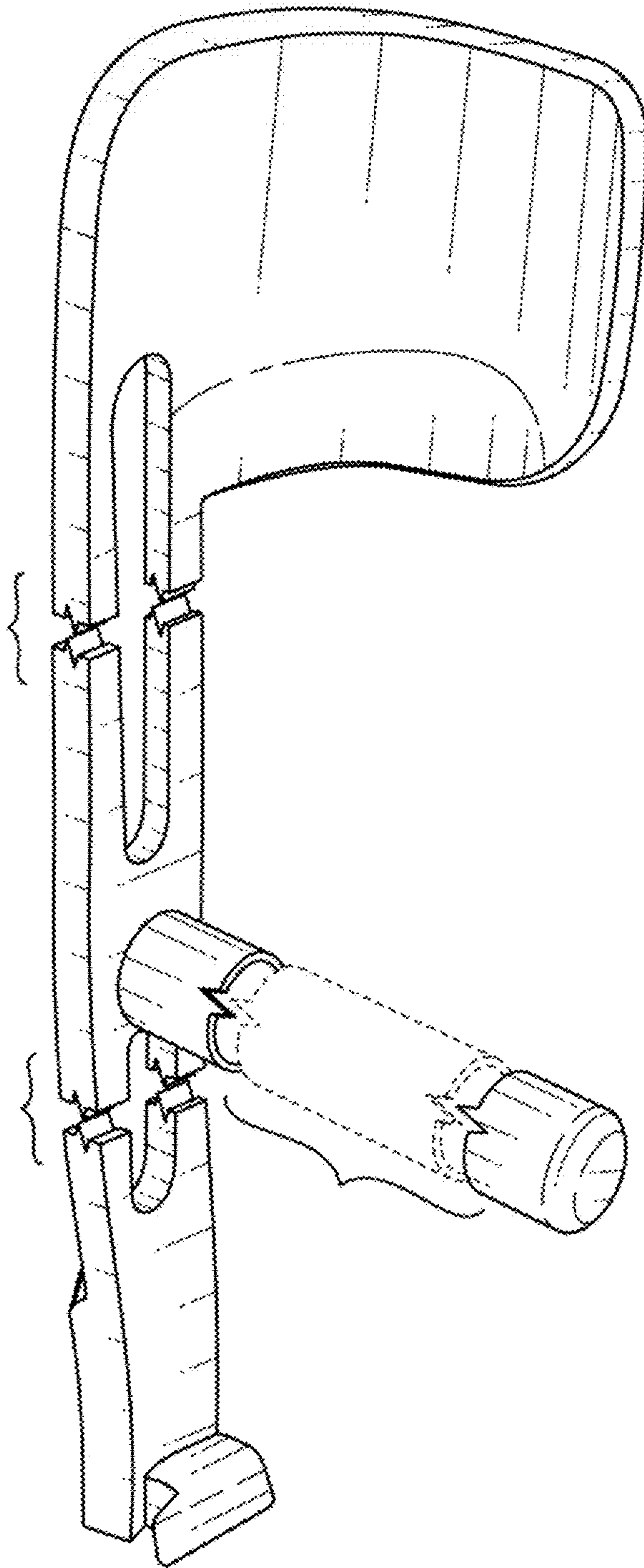


FIG. 1

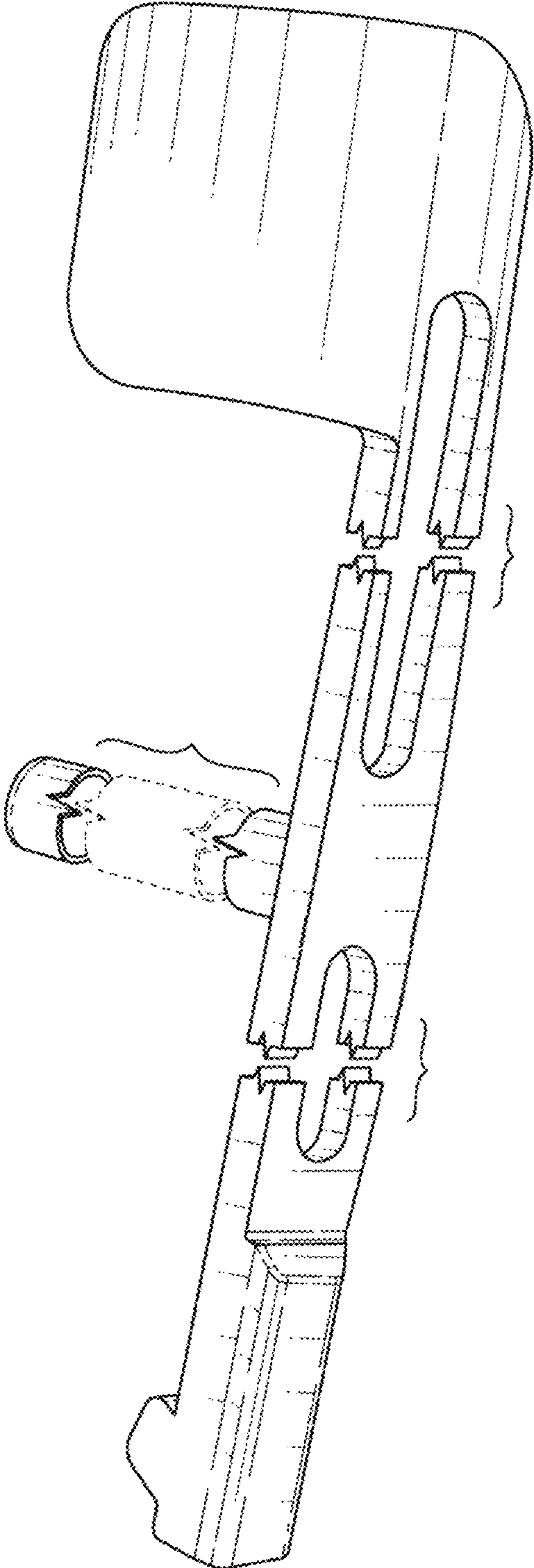


FIG. 2

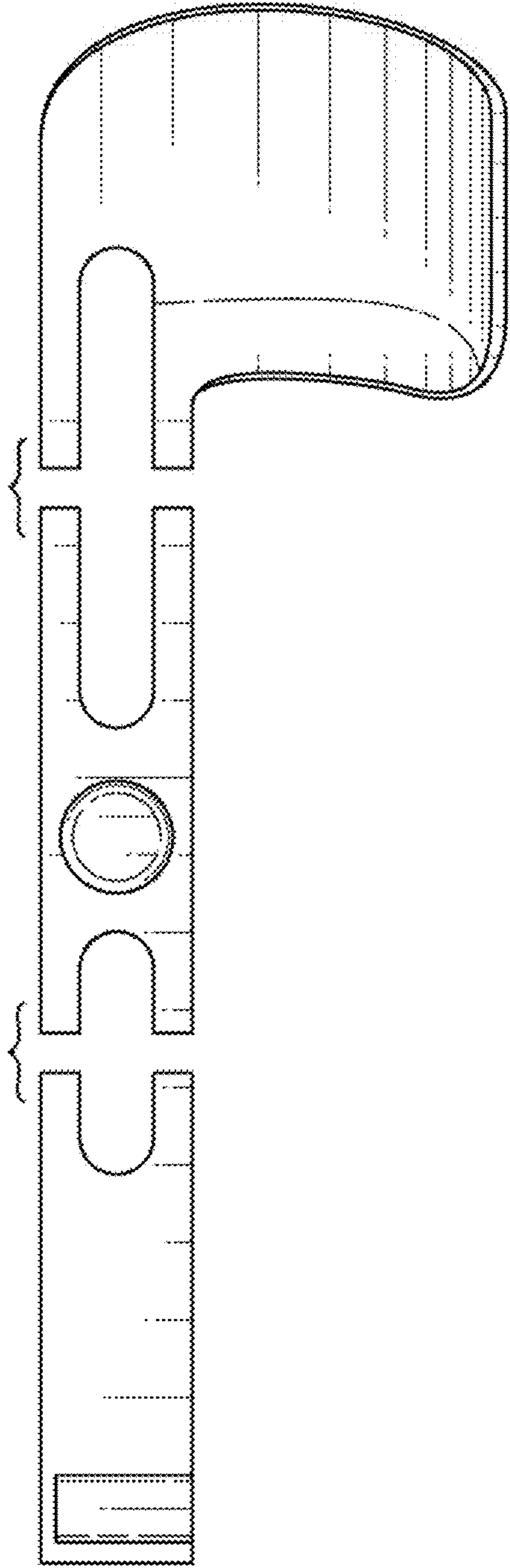


FIG. 3

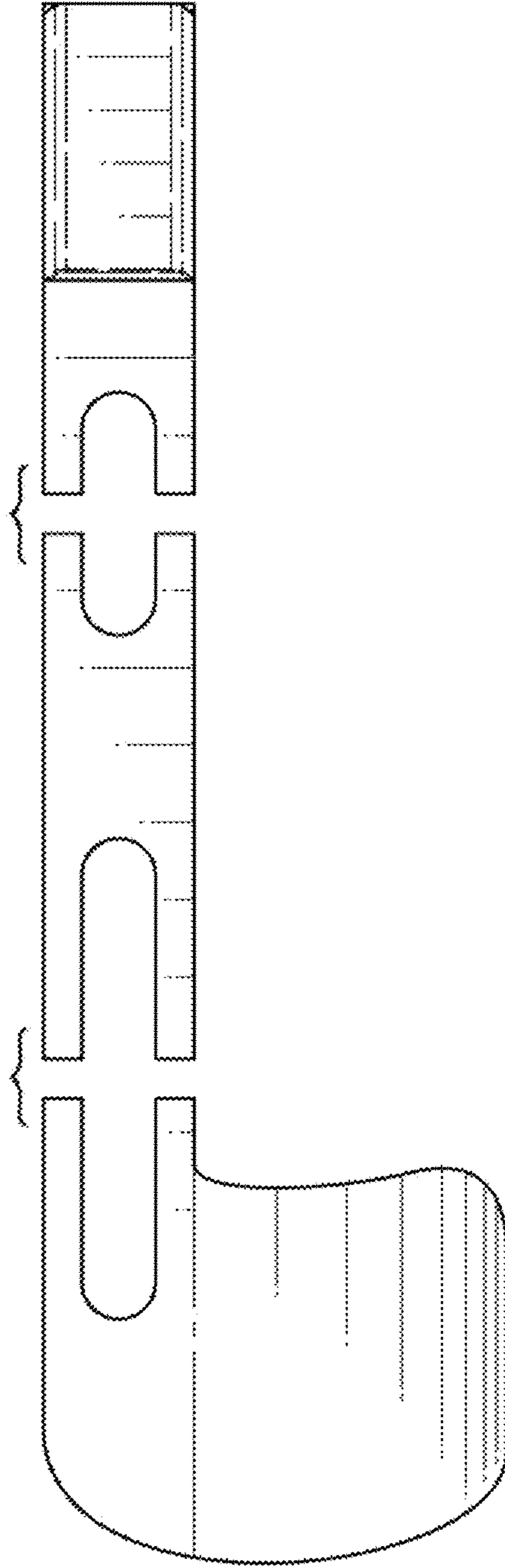


FIG. 4

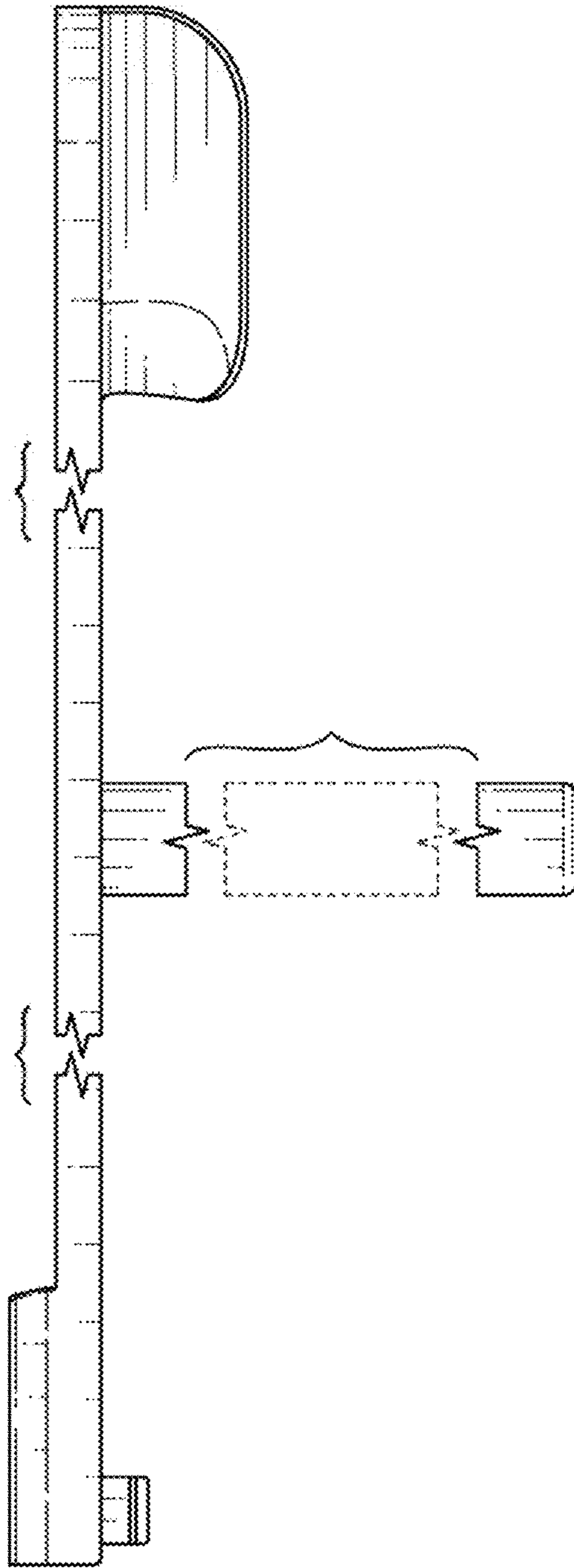


FIG. 5

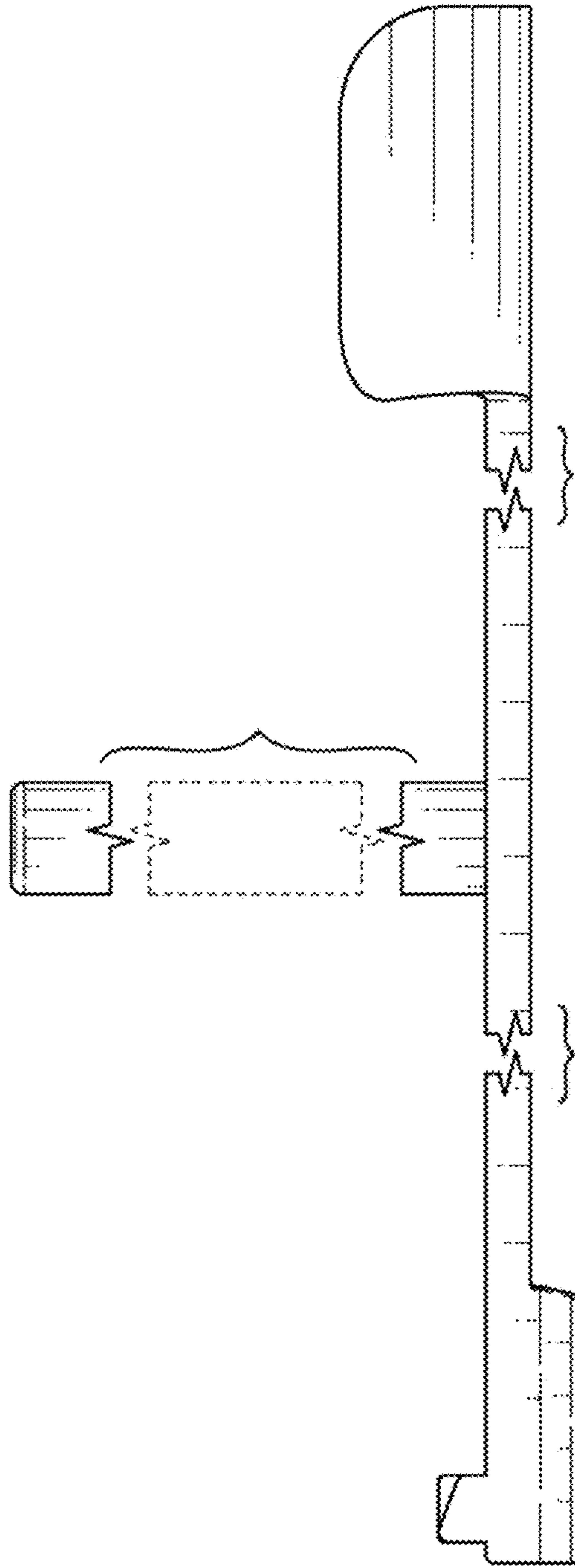


FIG. 6

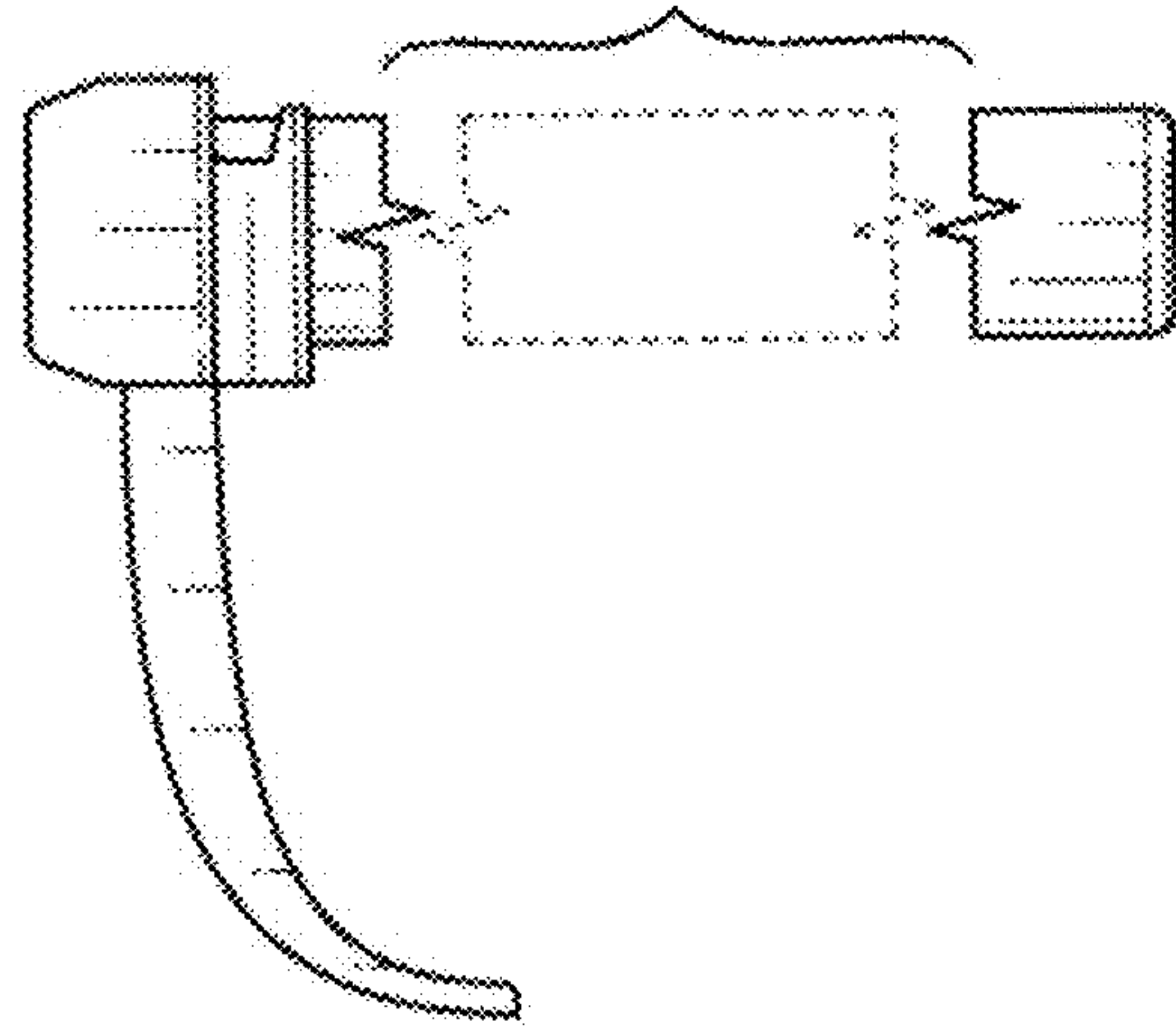


FIG. 7

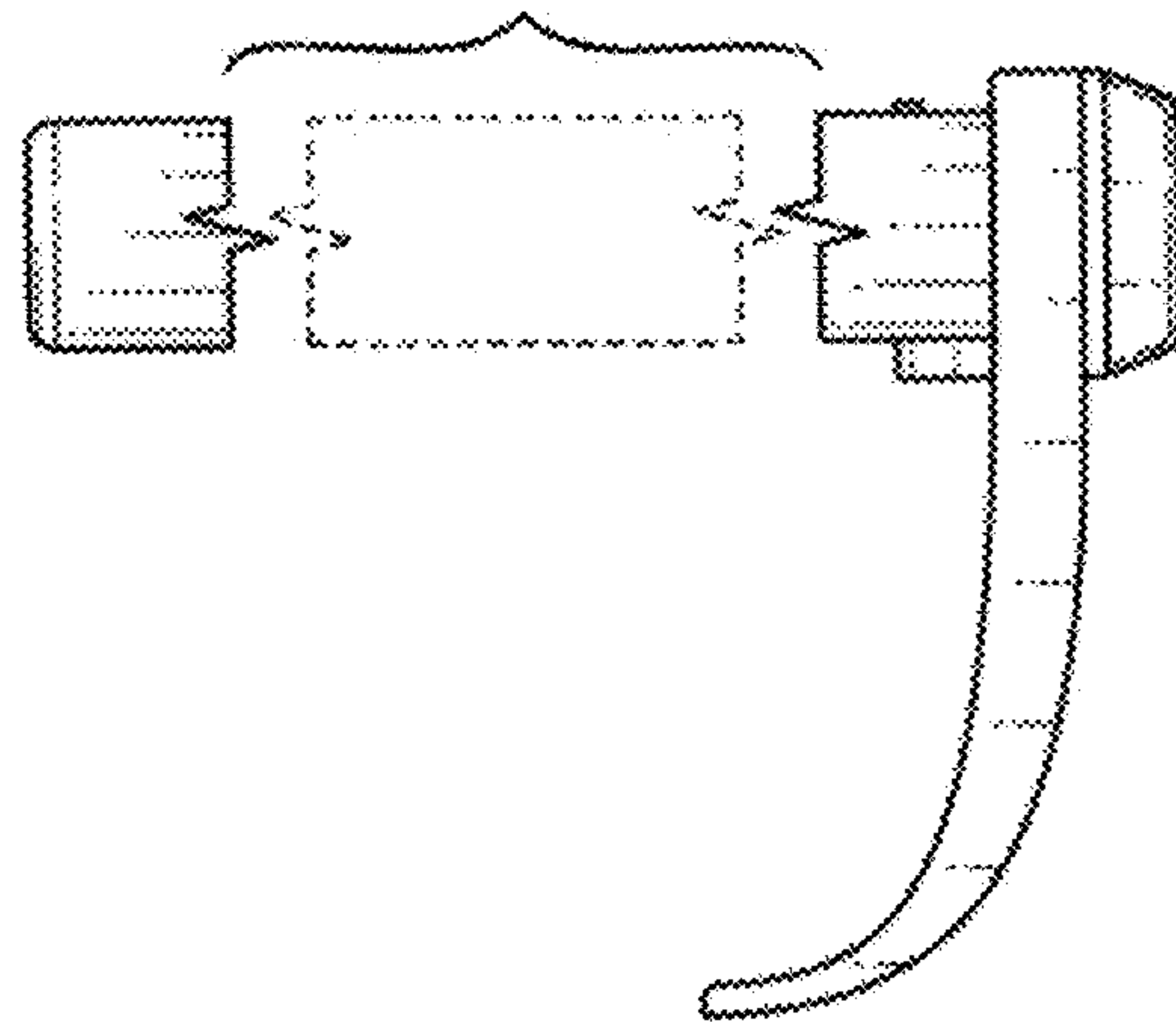


FIG. 8

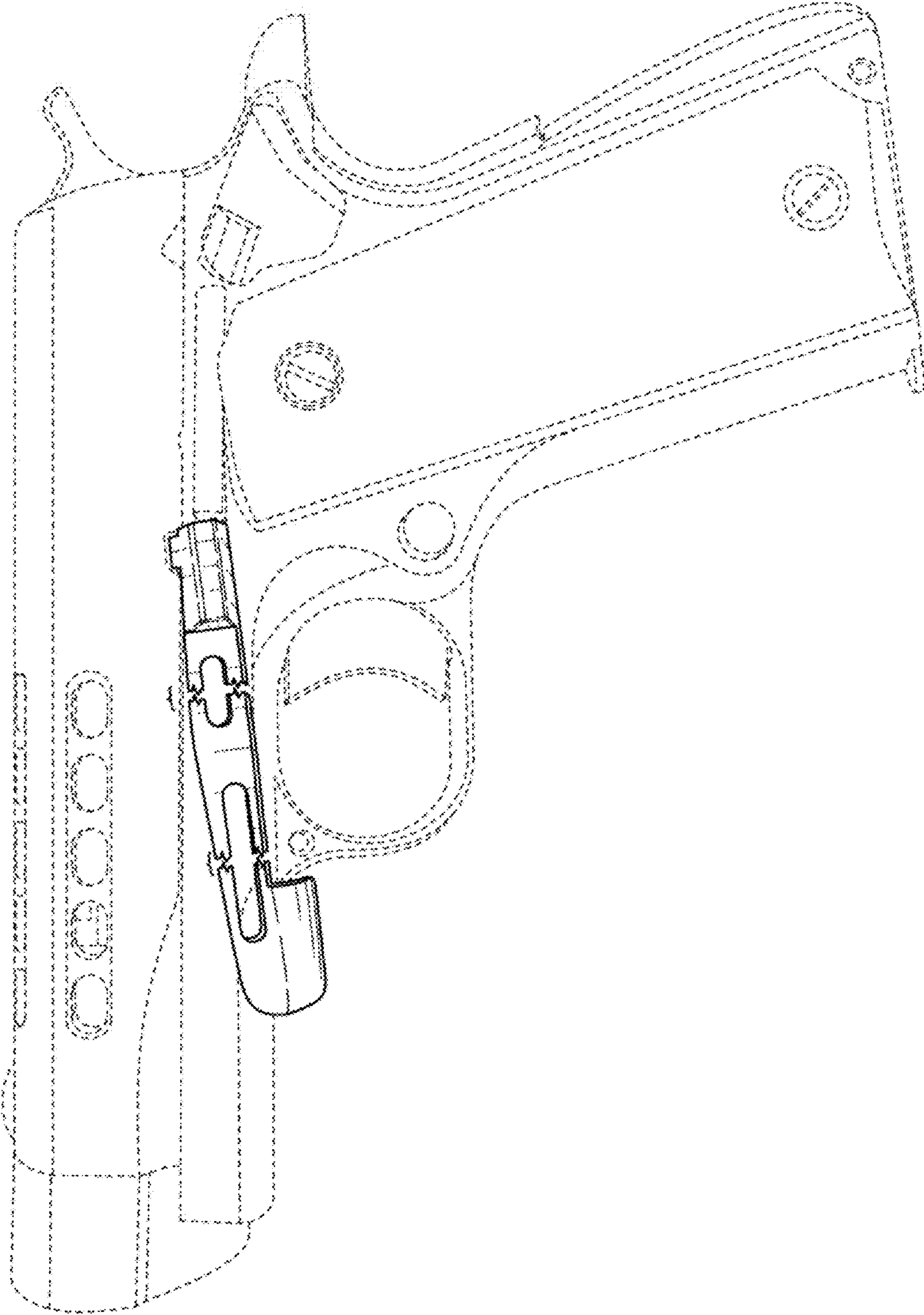


FIG. 9