



US00D974516S

(12) **United States Design Patent** (10) **Patent No.:** **US D974,516 S**
Frank et al. (45) **Date of Patent:** **** Jan. 3, 2023**

(54) **INFLATABLE OBJECT**
(71) Applicant: **POOL PUNISHER LLC**, San Diego, CA (US)
(72) Inventors: **Patrick Wallace Frank**, San Diego, CA (US); **George Alexander Kramb**, San Diego, CA (US)
(73) Assignee: **POOL PUNISHER LLC**, San Diego, CA (US)
(**) Term: **15 Years**
(21) Appl. No.: **29/866,312**
(22) Filed: **Sep. 8, 2022**
(51) **LOC (14) Cl.** **21-04**
(52) **U.S. Cl.**
USPC **D21/835**
(58) **Field of Classification Search**
USPC D21/433, 548, 549, 835; D12/86
CPC B62D 25/00; B62D 25/06; B62D 33/00;
B62D 35/00
See application file for complete search history.

D471,936 S 3/2003 Tilbor et al.
D480,443 S 10/2003 Peterson
D496,086 S 9/2004 Peterson
D503,952 S 4/2005 Tung
D509,876 S * 9/2005 Sagol D21/816
D531,233 S * 10/2006 Proch D21/433
D549,296 S 8/2007 Peterson
D552,203 S 10/2007 Peterson
D554,221 S 10/2007 Peterson
(Continued)

OTHER PUBLICATIONS

Inflatable Floating Bed Floats, Inflatable Tank, Jun. 24, 2021, amazon.ca, Nov. 2, 2022, URL: <https://www.amazon.ca/Swimming-Inflatable-Floating-Armored-Vehicle/dp/B097T6XCNN/> (Year: 2021).*
(Continued)

Primary Examiner — Keith J Wilson
(74) *Attorney, Agent, or Firm* — NorthStar Law Group;
Thomas J. Bassolino

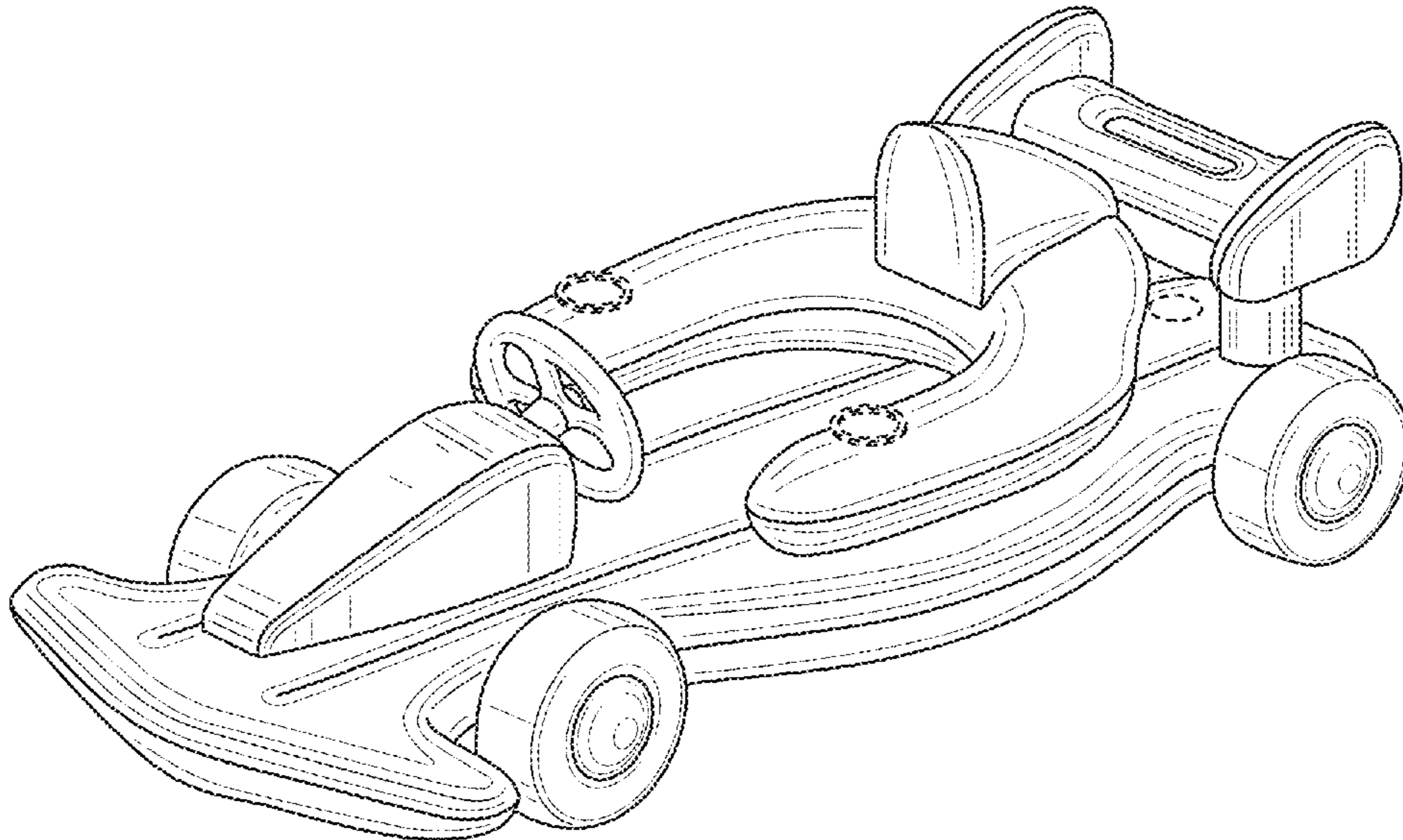
(57) **CLAIM**
The ornamental design for an inflatable object, as shown and described.

DESCRIPTION

FIG. 1 is a top, front, right perspective view of an inflatable object, showing our new design;
FIG. 2 is a top, back, left perspective view thereof;
FIG. 3 is a front elevational view thereof;
FIG. 4 is a back elevational view thereof;
FIG. 5 is a left side elevational view thereof;
FIG. 6 is a right side elevational view thereof;
FIG. 7 is a top plan view thereof; and,
FIG. 8 is a bottom plan view thereof.
The broken line showing of environmental matter is for illustrative purposes only and forms no part of the claimed design.

(56) **References Cited**
U.S. PATENT DOCUMENTS
D355,466 S 2/1995 Wolfe
5,512,002 A * 4/1996 Lieberman A63H 17/00
446/221
D377,814 S 2/1997 Lieberman
D393,682 S 4/1998 Peterson
D413,955 S 9/1999 Peterson
D414,235 S 9/1999 Peterson
D417,481 S * 12/1999 Schwartz D12/401
D428,090 S 7/2000 Peterson
D428,099 S 7/2000 Peterson
D435,824 S 1/2001 Peterson
D437,022 S * 1/2001 Gourchounian D21/835
D437,379 S 2/2001 Peterson
D437,380 S * 2/2001 Gourchounian D21/835

1 Claim, 8 Drawing Sheets



(56)

References Cited

U.S. PATENT DOCUMENTS

D563,500 S * 3/2008 Gong D21/816
 D580,004 S 11/2008 Peterson
 D611,998 S 3/2010 Pucci
 D652,086 S 1/2012 Schmidem
 D672,407 S 12/2012 Nakayama
 D710,252 S 8/2014 Tombazis
 D724,998 S * 3/2015 Panoz D12/86
 D727,208 S 4/2015 Allison
 D756,846 S 5/2016 Young et al.
 D774,946 S 12/2016 Allison
 D792,285 S 7/2017 Manzoni et al.
 D794,738 S 8/2017 Peterson
 D797,205 S * 9/2017 Mortier, Jr. D21/816
 D803,965 S 11/2017 Peterson
 D807,787 S 1/2018 Allison
 D810,624 S * 2/2018 Panoz D21/835
 D811,265 S * 2/2018 Panoz D21/816
 D813,725 S * 3/2018 Filippini D21/835
 D821,521 S 6/2018 Peterson
 D821,523 S 6/2018 Kasper et al.
 D870,834 S * 12/2019 Hsu D21/814
 D882,713 S 4/2020 Engler et al.
 D883,397 S * 5/2020 Xu A63H 17/00
 446/221
 D884,086 S 5/2020 Herlitz et al.
 D897,239 S 9/2020 Binotto

D915,239 S * 4/2021 Cattabriga D21/808
 D930,102 S 9/2021 Huang
 D930,779 S 9/2021 Hsu
 D956,910 S 7/2022 He
 D957,563 S 7/2022 Zheng
 D964,496 S * 9/2022 Barrett D21/808

OTHER PUBLICATIONS

Vikimora 5.5Ft Long Halloween Inflatable Car Tractor, Feb. 24, 2022, amazon.ca, Nov. 2, 2022, URL: <https://www.amazon.ca/VIKIMORA-Halloween-Inflatable-Decorations-Decoration/dp/B09T983CQP/> (Year: 2022).*

Inflatable Serving Bar Ice Tray Drink Holder,Floating Car, Mar. 22, 2022, amazon.ca, Nov. 2, 2022, URL: <https://www.amazon.ca/Inflatable-Capacity-Floating-Hawaiian-Multi-Purpose/dp/B09W5NWZMZ/> (Year: 2022).*

Alibaba.com 2020 Hot sale inflatable f1 car for advertising. website: https://www.alibaba.com/product-detail/2020-Hot-sale-inflatable-f1-car_60164356403.html?spm=a2700.7724857.0.0.20c873f49aFndS printed 2022.

Alibaba.com inflatable f1 car pvc advertising inflatable car model. website: https://www.alibaba.com/product-detail/2020-Hot-sale-inflatable-f1-car_60164356403.html?spm=a2700.7724857.0.0.20c873f49aFndS printed 2022.

* cited by examiner

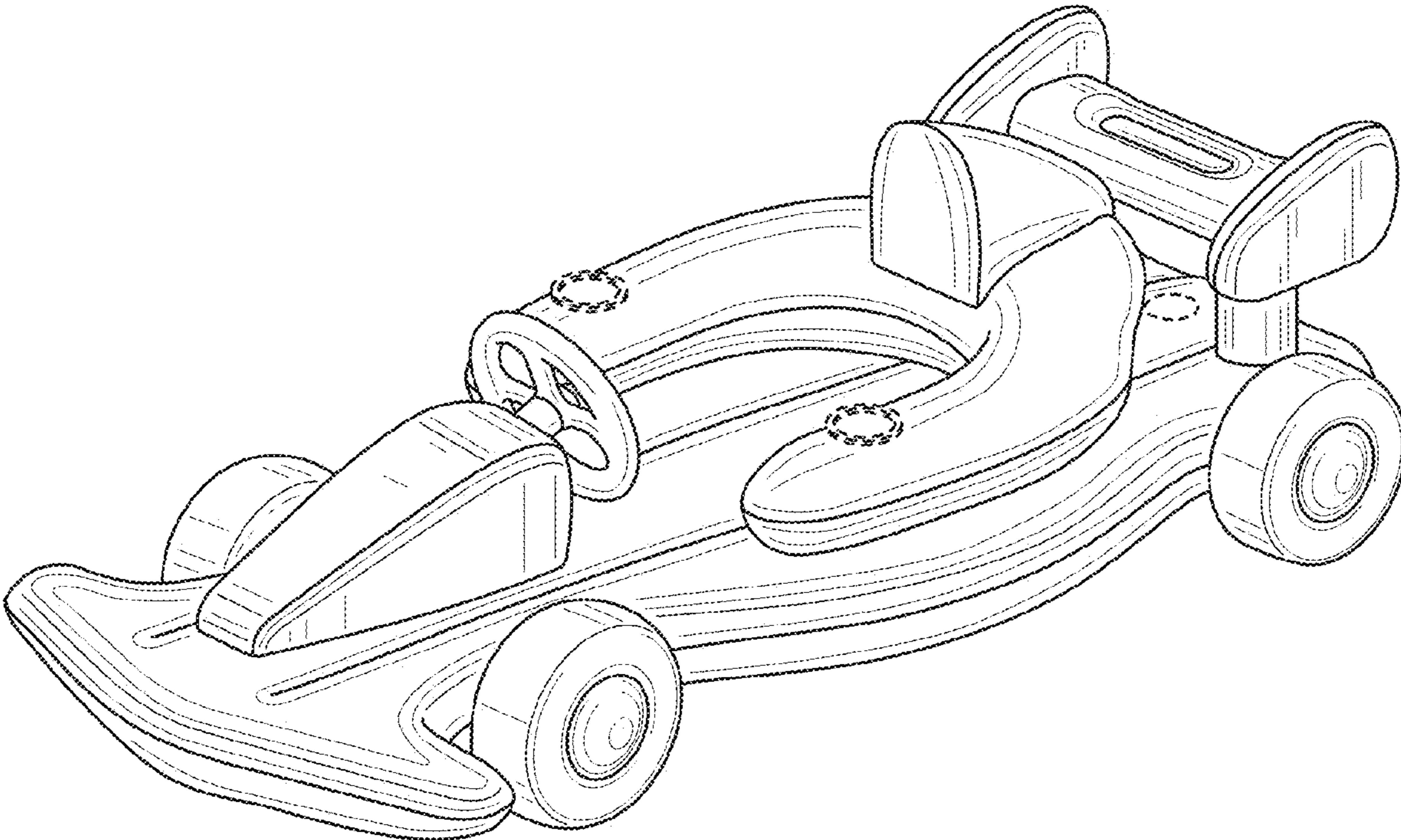


FIG. 1

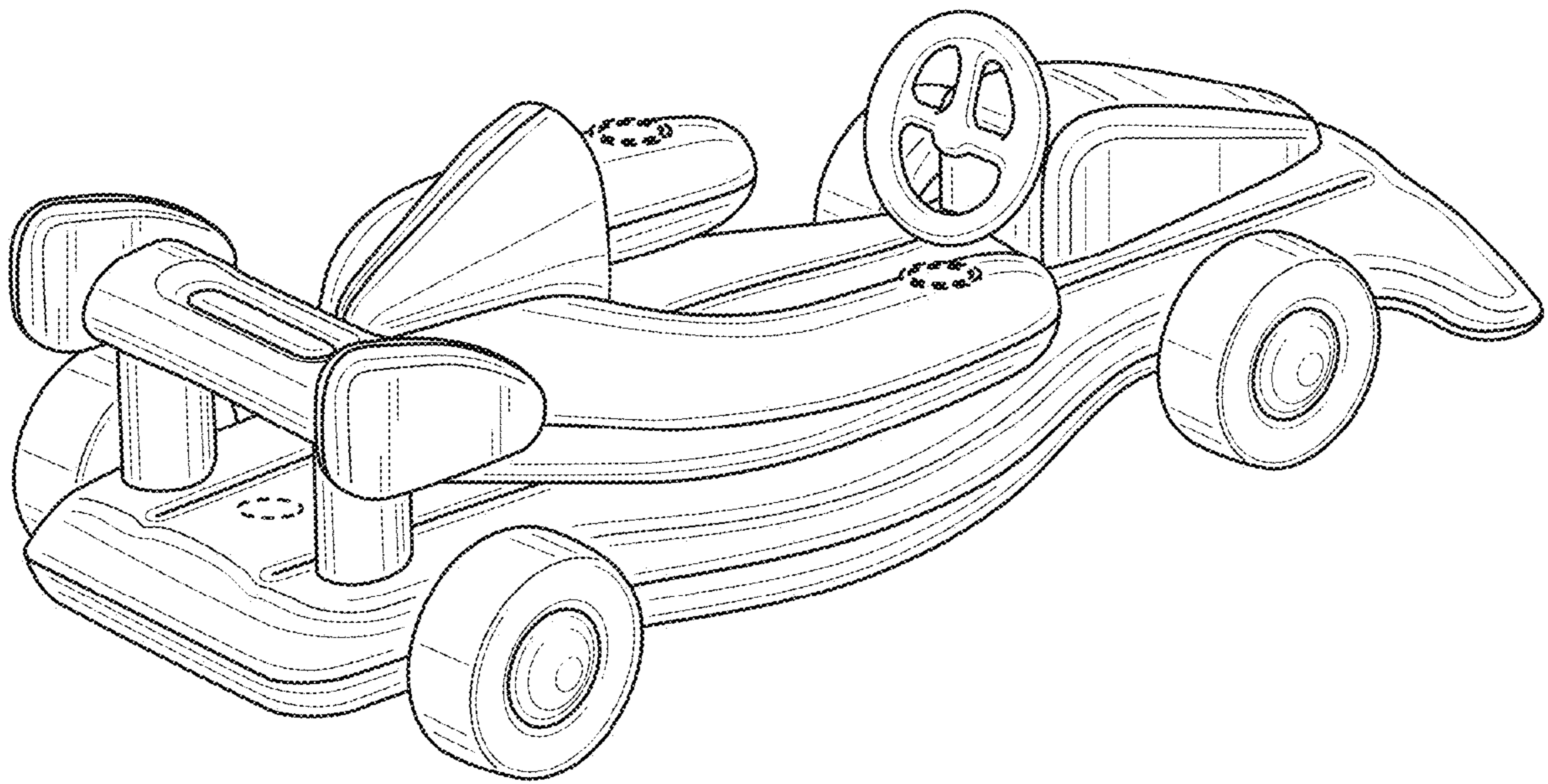


FIG. 2

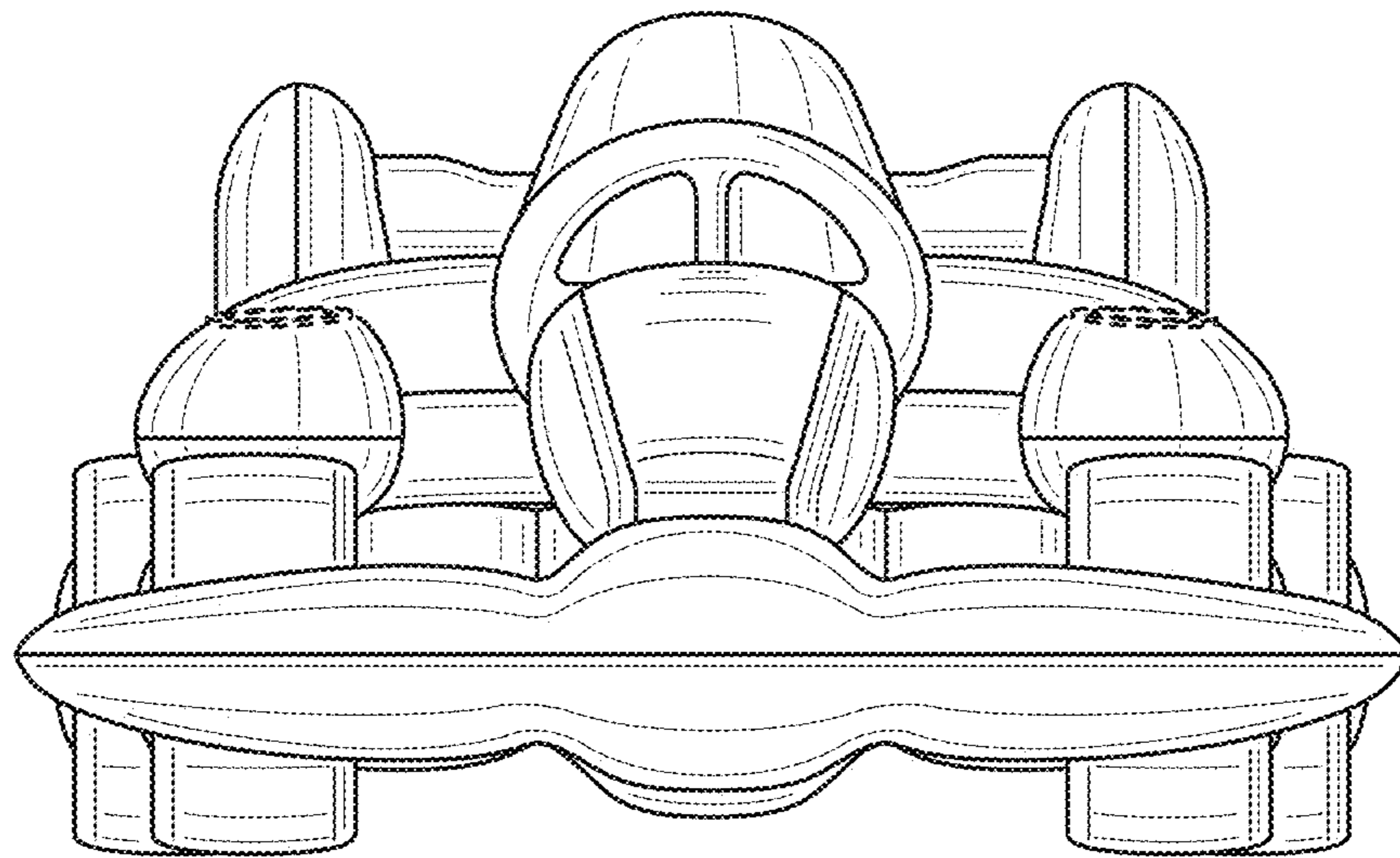


FIG. 3

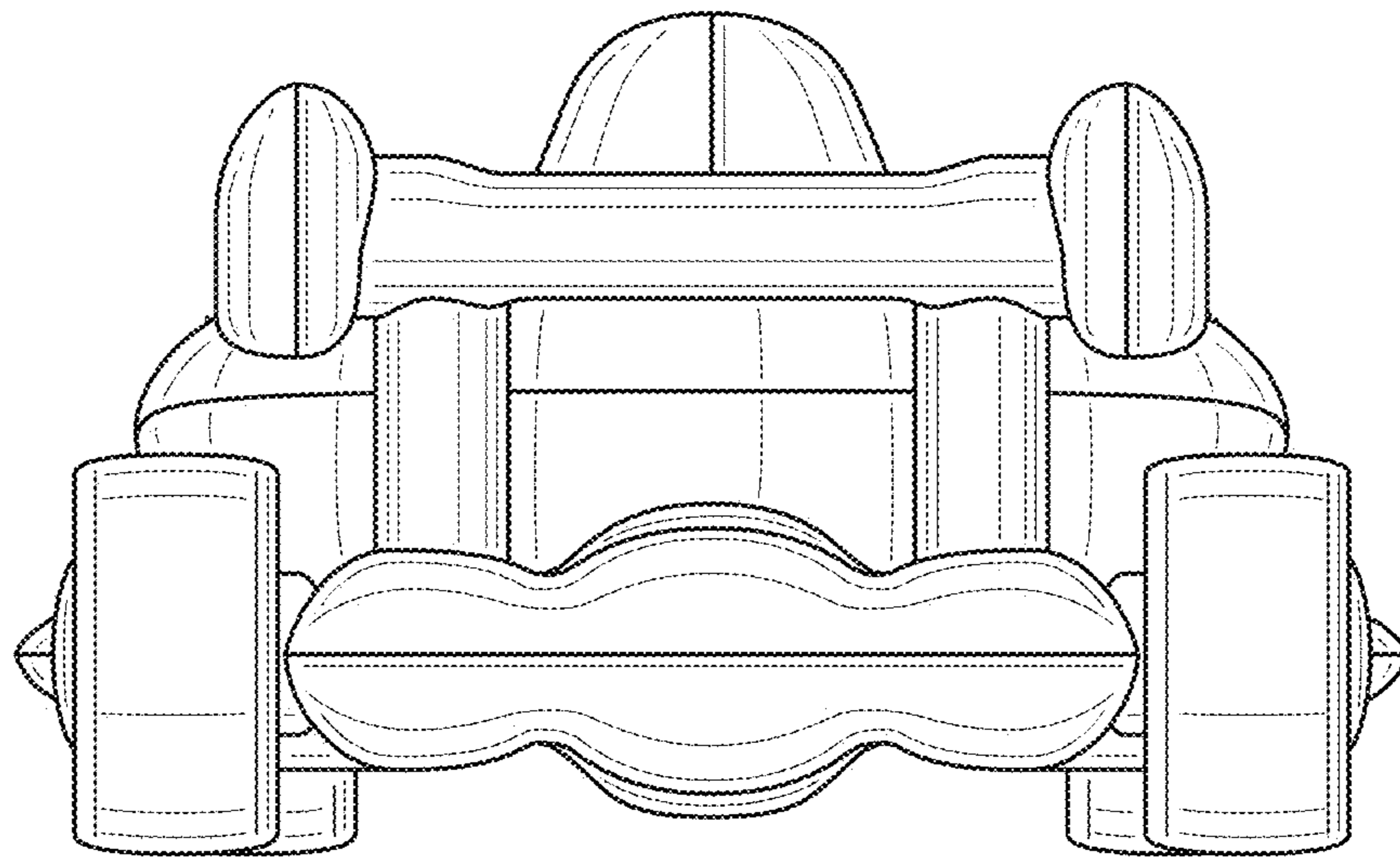


FIG. 4

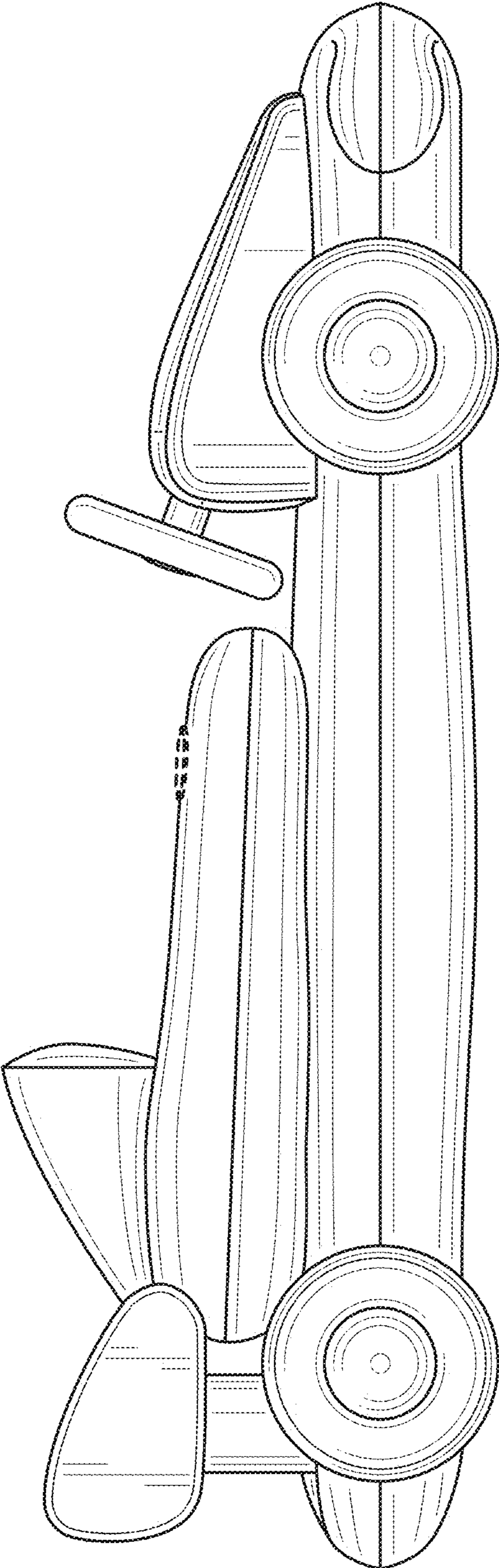


FIG. 5

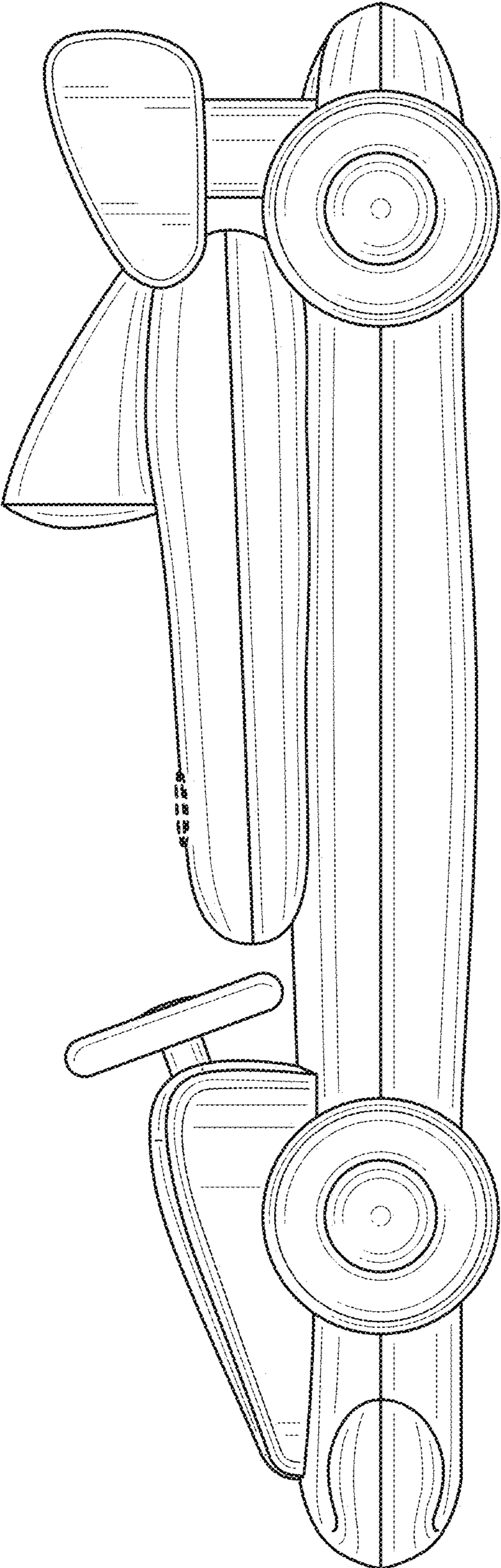


FIG. 6

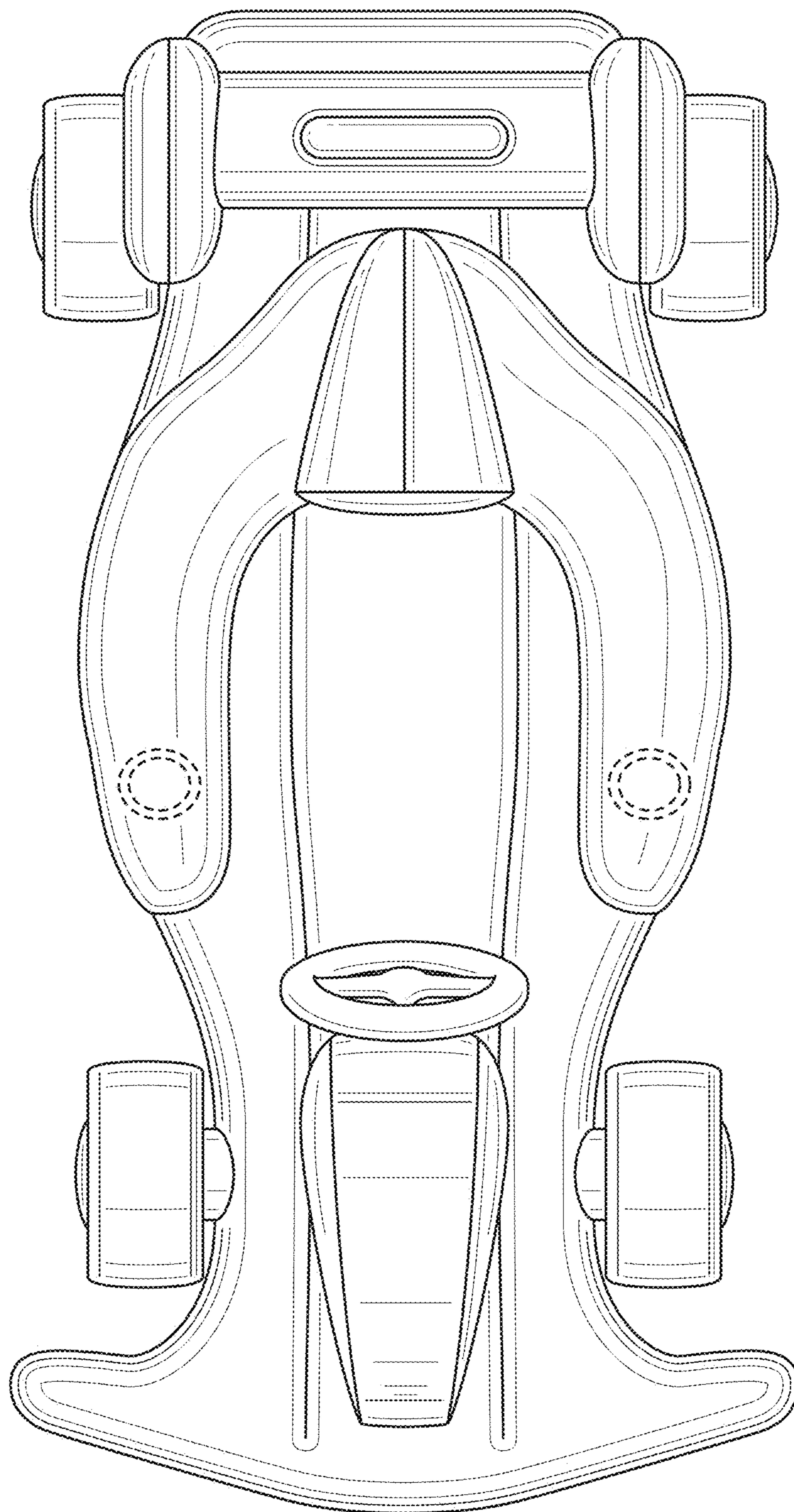


FIG. 7

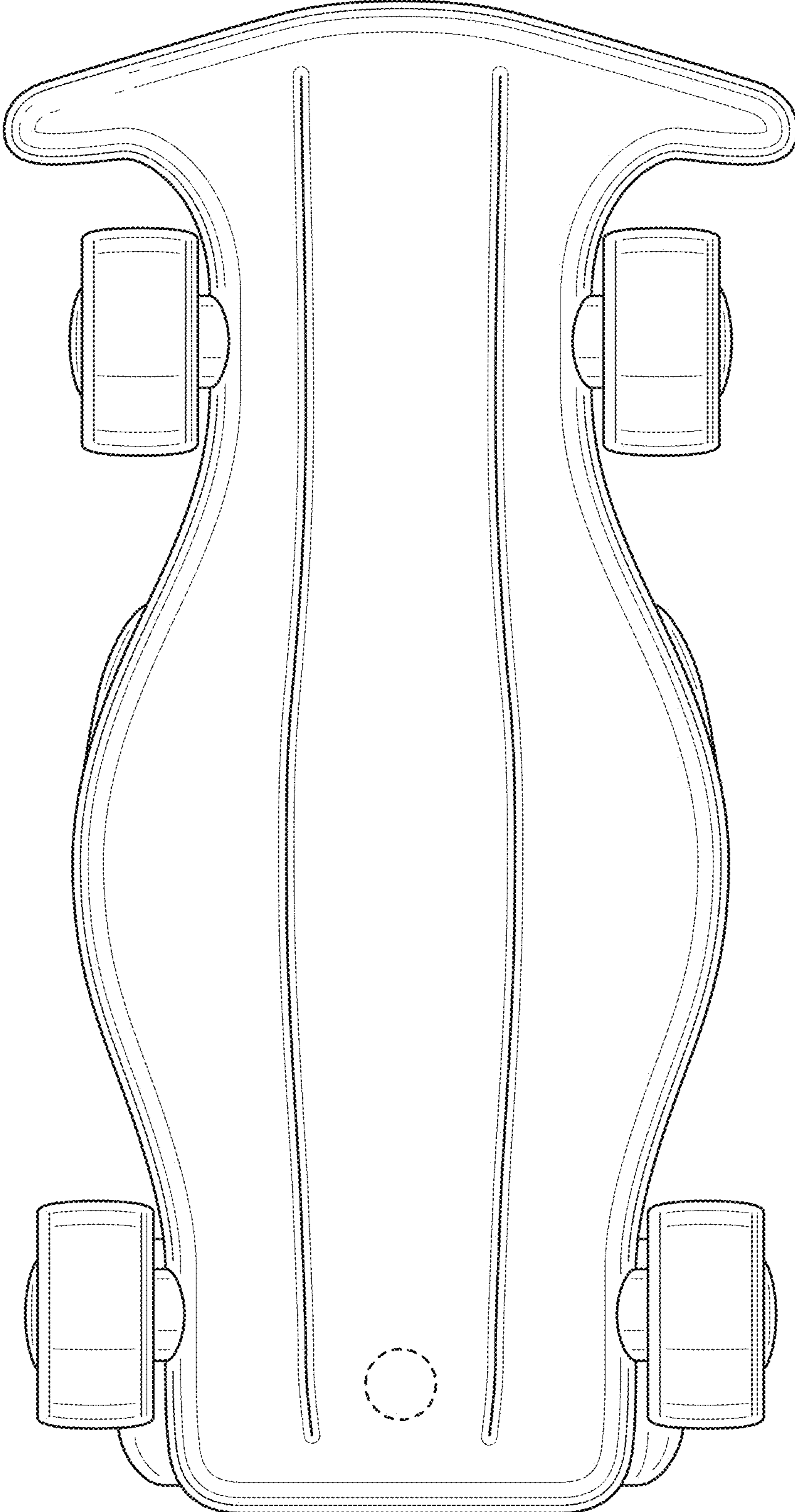


FIG. 8