



US00D974513S

(12) **United States Design Patent**
Huang

(10) **Patent No.:** **US D974,513 S**
(45) **Date of Patent:** **** Jan. 3, 2023**

(54) **SWIM FIN**

(71) Applicant: **Guan Hao Huang**, Guangdong (CN)

(72) Inventor: **Guan Hao Huang**, Guangdong (CN)

(73) Assignee: **DONGGUAN TIANHE TECHNOLOGY CO., LTD.**,
Dongguan (CN)

(**) Term: **15 Years**

(21) Appl. No.: **29/779,066**

(22) Filed: **Apr. 16, 2021**

(51) **LOC (14) Cl.** **21-02**

(52) **U.S. Cl.**
USPC **D21/806**

(58) **Field of Classification Search**
USPC 441/55, 61, 64; D21/663, 685, 678, 804,
D21/806
CPC A63B 31/11; A63B 31/08; A63B 31/10;
A63B 35/02
See application file for complete search history.

(56) **References Cited**

U.S. PATENT DOCUMENTS

7,281,963 B1 *	10/2007	Feng	A63B 31/11 441/64
D561,863 S *	2/2008	Moyal	D21/804
D685,444 S *	7/2013	Lin	D21/806
D704,292 S *	5/2014	Garraffa	D21/806
D822,138 S *	7/2018	Hu	D21/806
D852,307 S *	6/2019	Wu	D21/806
2010/0029153 A1 *	2/2010	Testa	A63B 31/11 441/64

OTHER PUBLICATIONS

DYY Streamlined Swim Fins, Adjustable Buckles Open Heel Snorkel Fins for Swimming Training Diving Fins Travel Size Short Blade Compact Snorkel Flippers—Men Women. Shown in www.amazon.com. Web. Apr. 5, 2022. ASIN B09Q5LRWPS. (Year: 2022).*

Swim Fins,POUFIHARS Snorkel Fins Adjustable Travel Size Flippers for Swimming Diving Training Kids Women Men Open Heel Short Blade Compact Snorkel Flippers. Shown in www.amazon.com. Web. Apr. 13, 2022. ASIN B09NLWBFDV. (Year: 2022).*

* cited by examiner

Primary Examiner — Gino Colan

Assistant Examiner — Gregory G McLemore

(74) *Attorney, Agent, or Firm* — Georgi Korobanov

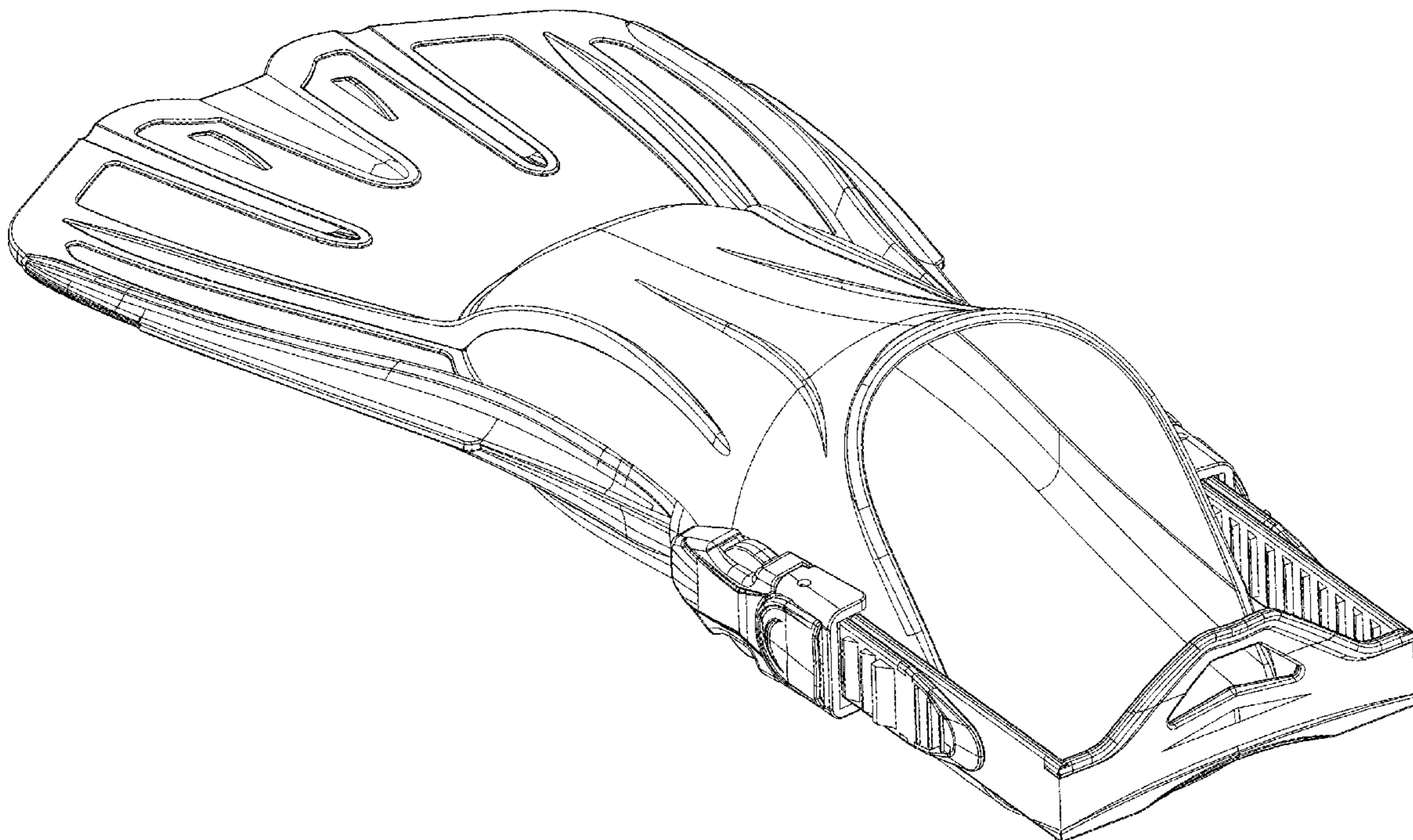
(57) **CLAIM**

The ornamental design for a swim fin, as shown and described.

DESCRIPTION

FIG. 1 is a top, rear, left side perspective view of a swim fin showing my new design;
FIG. 2 is a bottom, rear, left side perspective view thereof;
FIG. 3 is an enlarged front elevation view thereof;
FIG. 4 is an enlarged rear elevation view thereof;
FIG. 5 is a left side elevation view thereof;
FIG. 6 is a right side elevation view thereof;
FIG. 7 is a top plan view thereof; and,
FIG. 8 is a bottom plan view thereof.
The broken lines in the drawings illustrate portions of the swim fin that form no part of the claimed design.

1 Claim, 6 Drawing Sheets



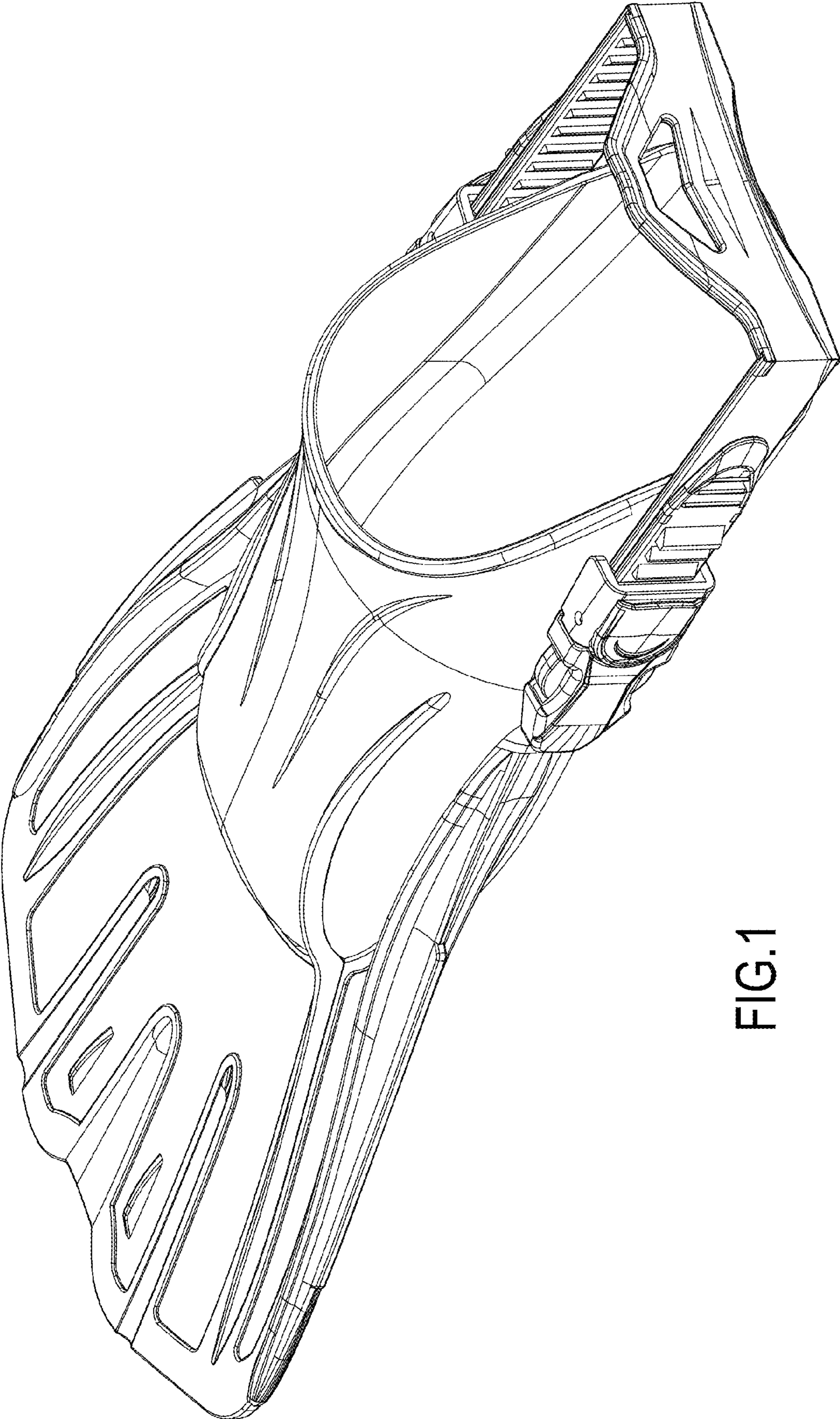


FIG. 1

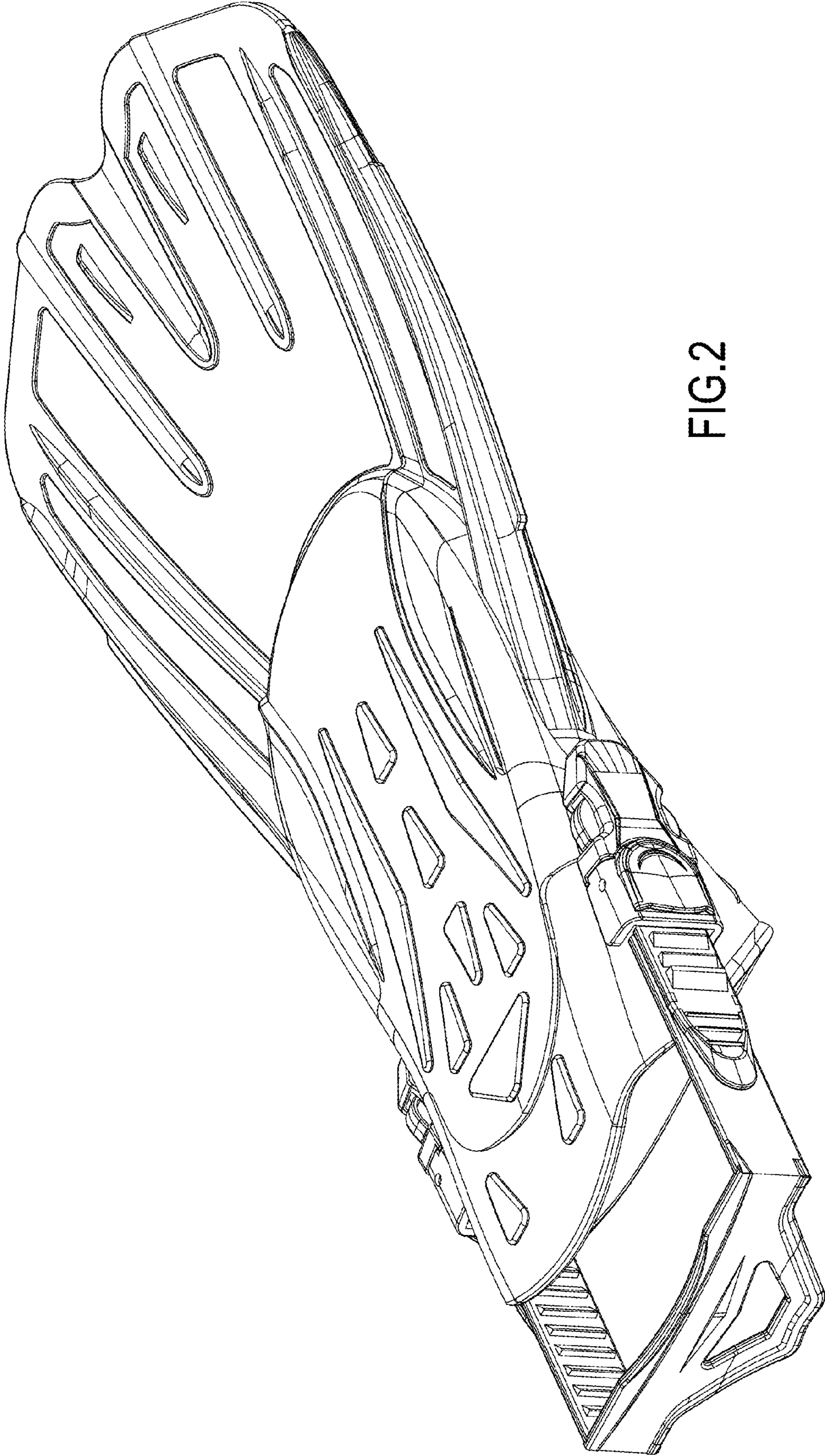


FIG.2

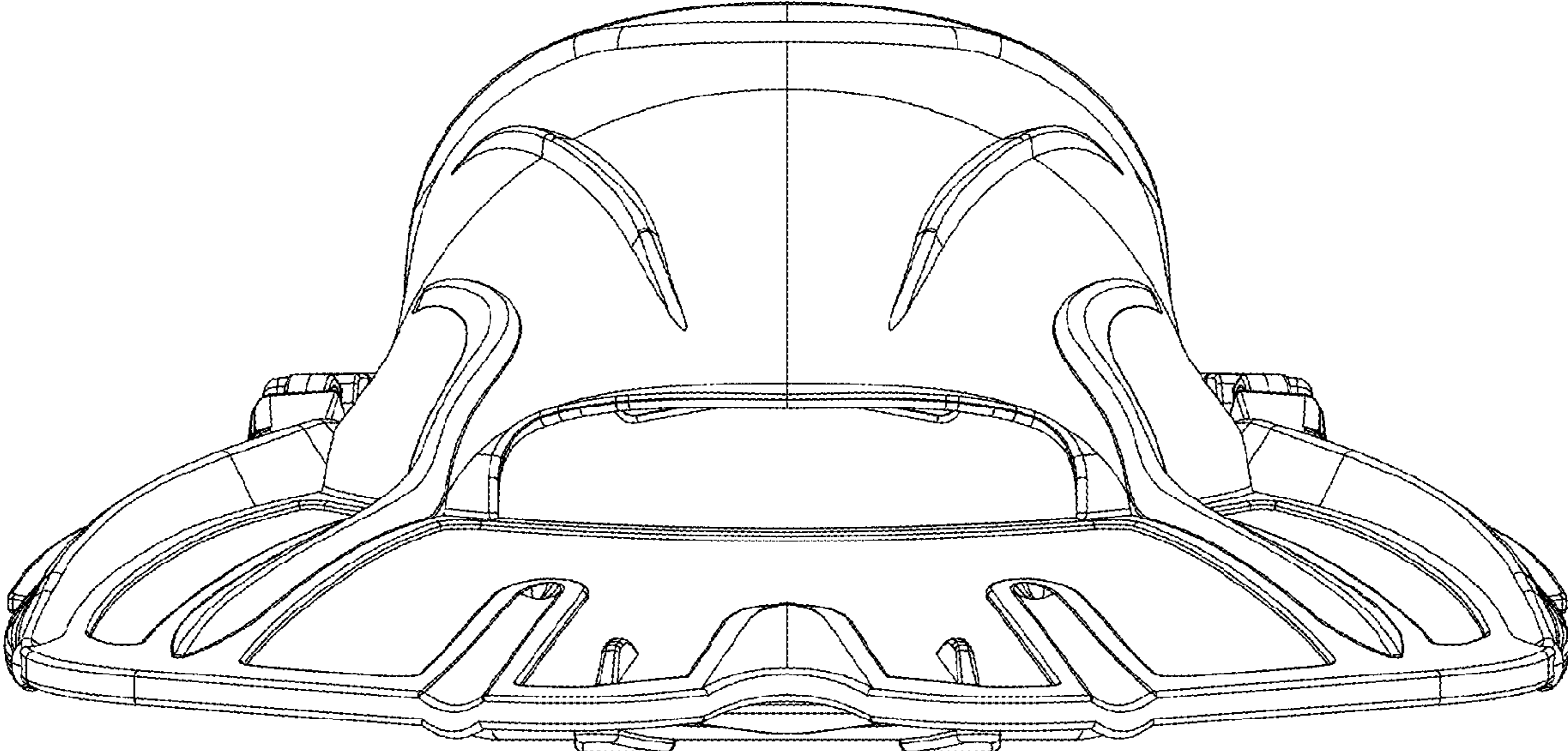


FIG.3

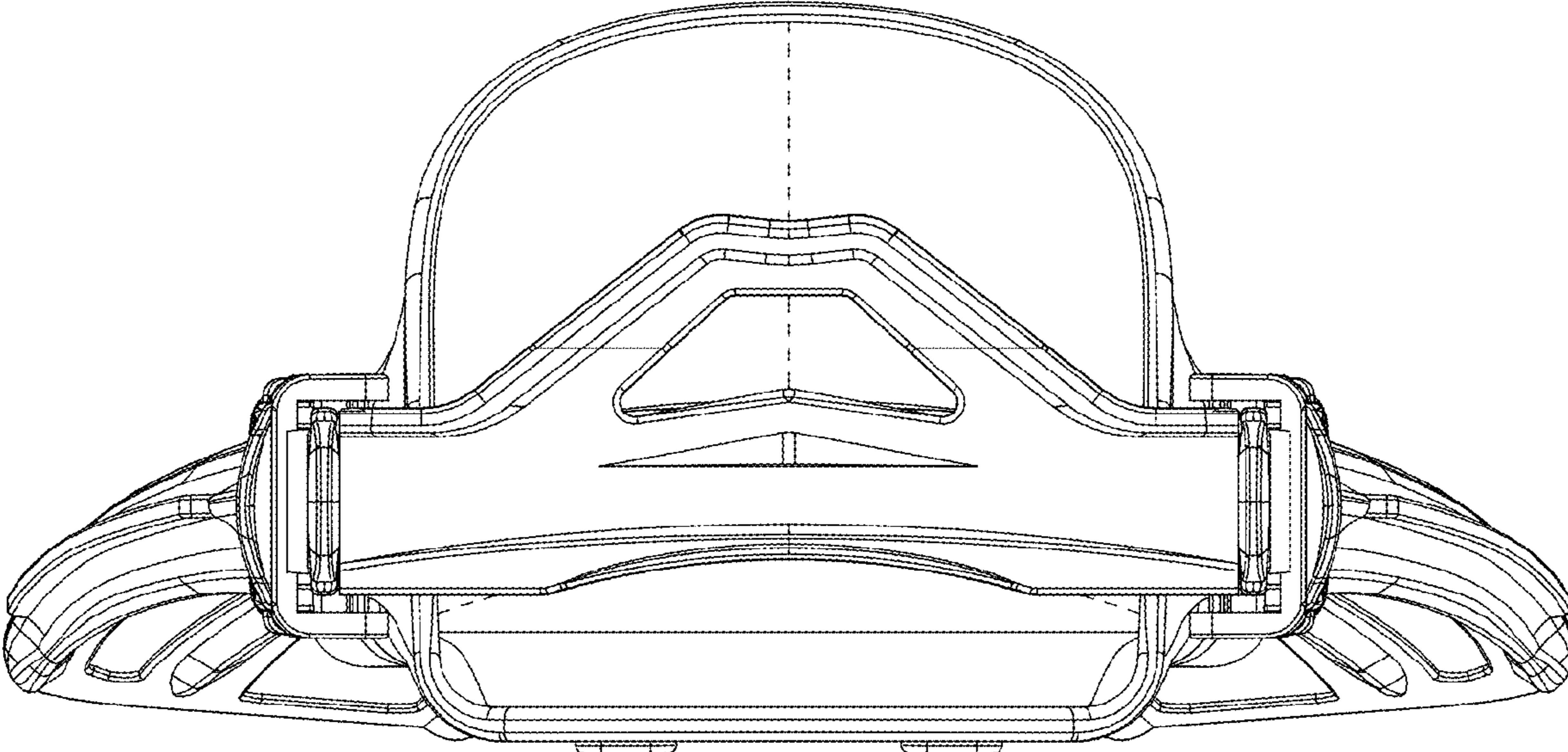


FIG.4

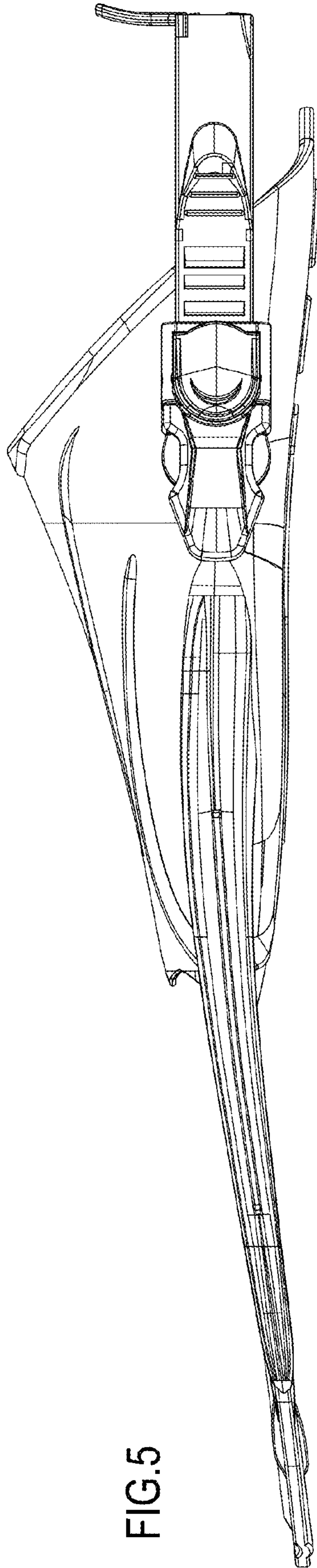


FIG. 5

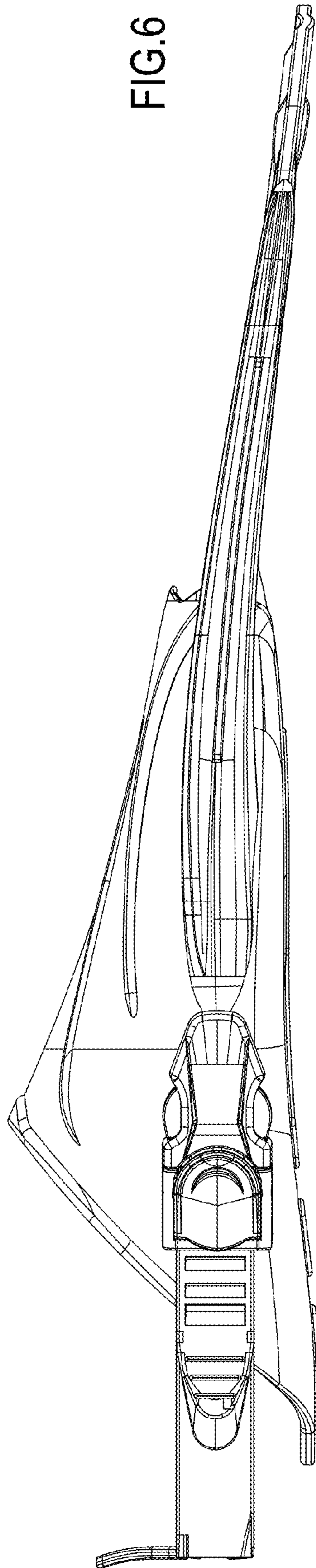


FIG. 6

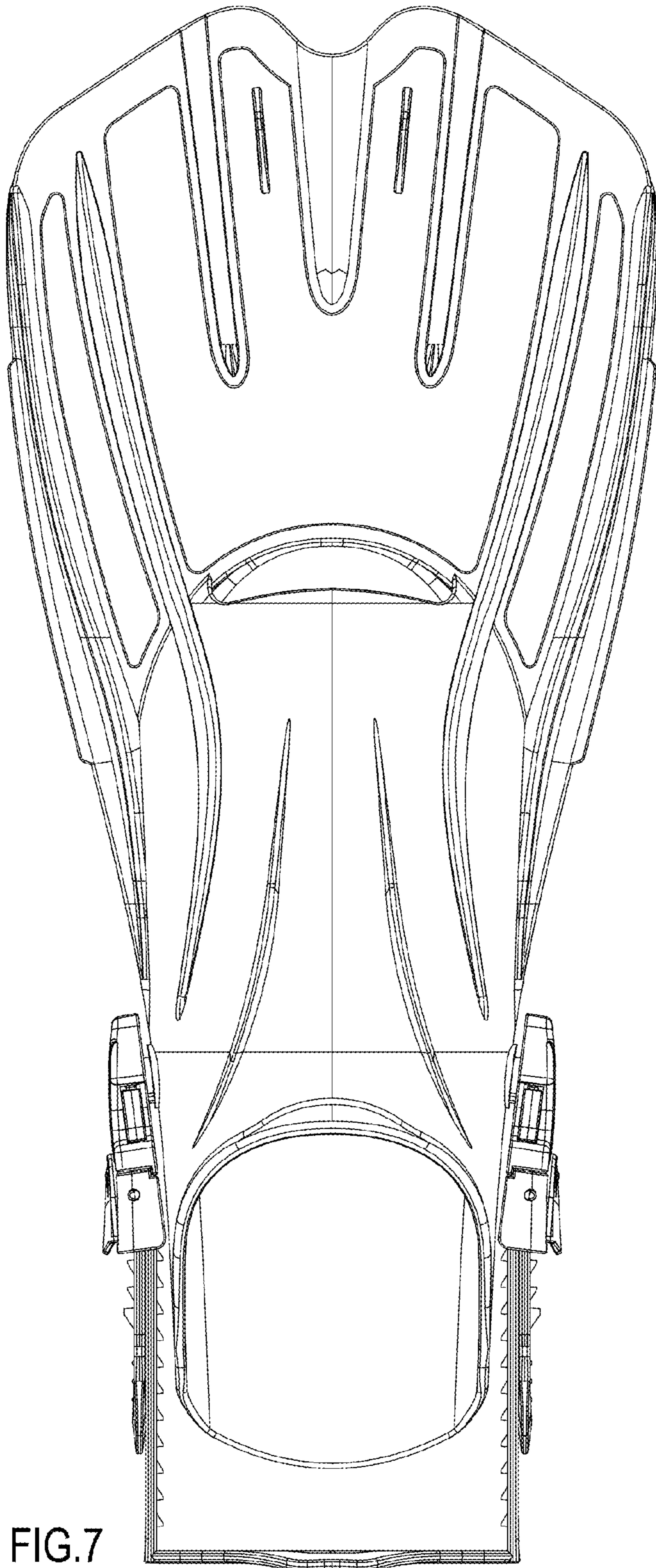


FIG. 7

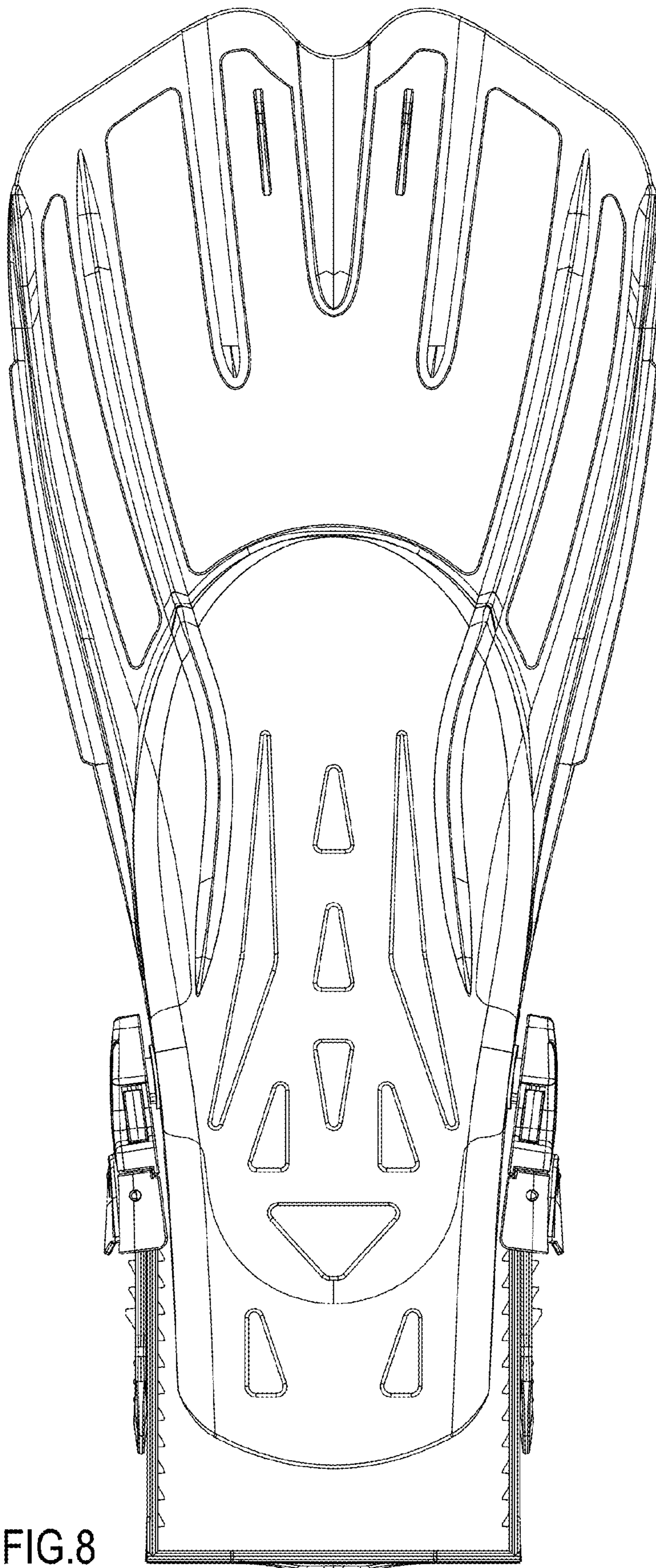


FIG.8