



US00D974512S

(12) **United States Design Patent** (10) **Patent No.:** **US D974,512 S**
Cortes (45) **Date of Patent:** **** Jan. 3, 2023**

(54) **BILLIARDS TRAINING DEVICE**
(71) Applicant: **Felix Ivan Cortes**, Gardena, CA (US)
(72) Inventor: **Felix Ivan Cortes**, Gardena, CA (US)
(**) Term: **15 Years**
(21) Appl. No.: **29/692,502**
(22) Filed: **May 24, 2019**
(51) **LOC (14) Cl.** **21-01**
(52) **U.S. Cl.**
USPC **D21/782**
(58) **Field of Classification Search**
USPC D21/302, 308, 316, 319, 359, 498, 699,
D21/713, 782, 784; D30/104, 108,
D30/112-120, 124, 158, 160, 161;
119/707; 473/72
CPC A63D 15/105; A63D 15/086; A63D 15/08;
A63D 15/00; A63D 15/10; A63D 15/0083
See application file for complete search history.

(56) **References Cited**

U.S. PATENT DOCUMENTS

2,817,525 A * 12/1957 Niemann A63D 15/10
473/42
D283,634 S * 4/1986 Kato D21/498
D314,455 S * 2/1991 Morton D30/160
D321,319 S * 11/1991 Giuseppe D9/519
5,564,369 A * 10/1996 Barber A01K 63/006
119/221
D396,895 S * 8/1998 Berry D21/782
6,098,571 A * 8/2000 Axelrod A01K 15/025
119/707
D453,364 S * 2/2002 Brothers D21/726
D459,404 S * 6/2002 Perez D21/713
D497,191 S * 10/2004 Shore D21/709
D514,263 S * 1/2006 Willinger D21/713
D534,610 S * 1/2007 Weinstein D21/726
D538,600 S * 3/2007 Jennewein D7/606
D545,509 S * 6/2007 Wang D30/160

D563,486 S * 3/2008 Slater D21/498
D576,542 S * 9/2008 Johnson D12/345
D582,035 S * 12/2008 Morrison D24/106
D627,412 S * 11/2010 Bruce D21/782
D656,689 S * 3/2012 Viola D30/121
D667,310 S * 9/2012 Gilliard, II D9/668
D679,351 S * 4/2013 Reddy
D741,423 S * 10/2015 Holland D21/713
10,104,289 B2 * 10/2018 Enriquez G03B 37/04

(Continued)

Primary Examiner — Mehri F Bajoul

(74) *Attorney, Agent, or Firm* — Knobbe Martens Olson & Bear, LLP

(57) **CLAIM**

The ornamental design for a billiards training device, as shown and described.

DESCRIPTION

FIG. 1 is a top, front, and left side perspective view of a billiards training device, showing my new design.

FIG. 2 is a bottom, rear, and right side perspective view of the billiards training device of FIG. 1.

FIG. 3 is a front view of the billiards training device of FIG. 1.

FIG. 4 is a rear view of the billiards training device of FIG. 1.

FIG. 5 is a left side view of the billiards training device of FIG. 1.

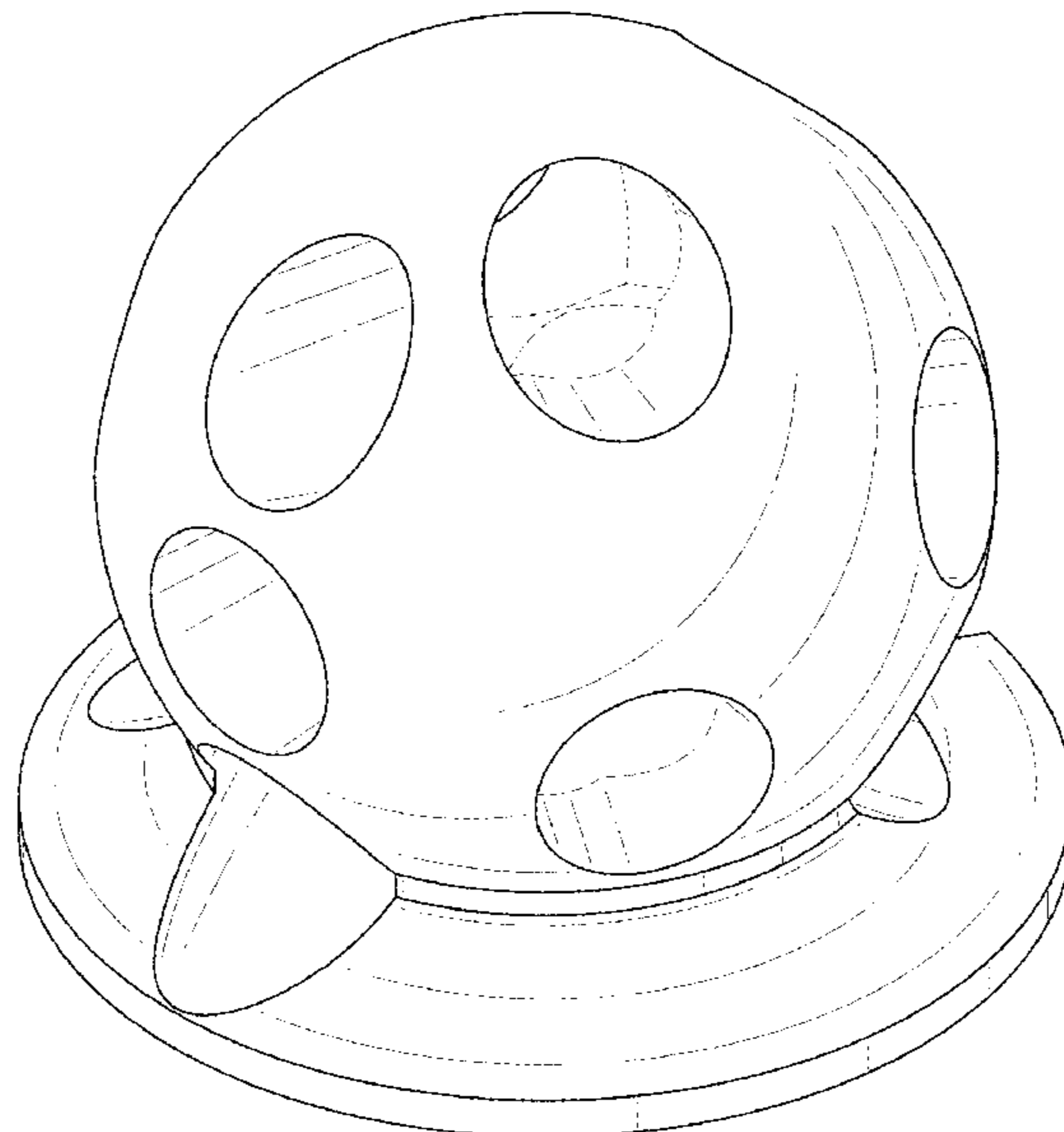
FIG. 6 is a right side view of the billiards training device of FIG. 1.

FIG. 7 is a top plan view of the billiards training device of FIG. 1; and,

FIG. 8 is a bottom plan view of the billiards training device of FIG. 1.

The broken lines in the drawings depict portions of the billiards training device that form no part of the claimed design.

1 Claim, 8 Drawing Sheets



(56)

References Cited

U.S. PATENT DOCUMENTS

10,131,422	B2	*	11/2018	Matsumoto	B64C 27/20
D856,259	S	*	8/2019	Li	D12/328
D865,087	S	*	10/2019	Parsons	D21/699
D872,815	S	*	1/2020	Parsons	D21/699
D877,838	S	*	3/2020	Bird	D21/782
D883,806	S	*	5/2020	Verdugo	D9/762
D893,116	S	*	8/2020	Wang	D30/160
D898,304	S	*	10/2020	Tu	D30/161

* cited by examiner

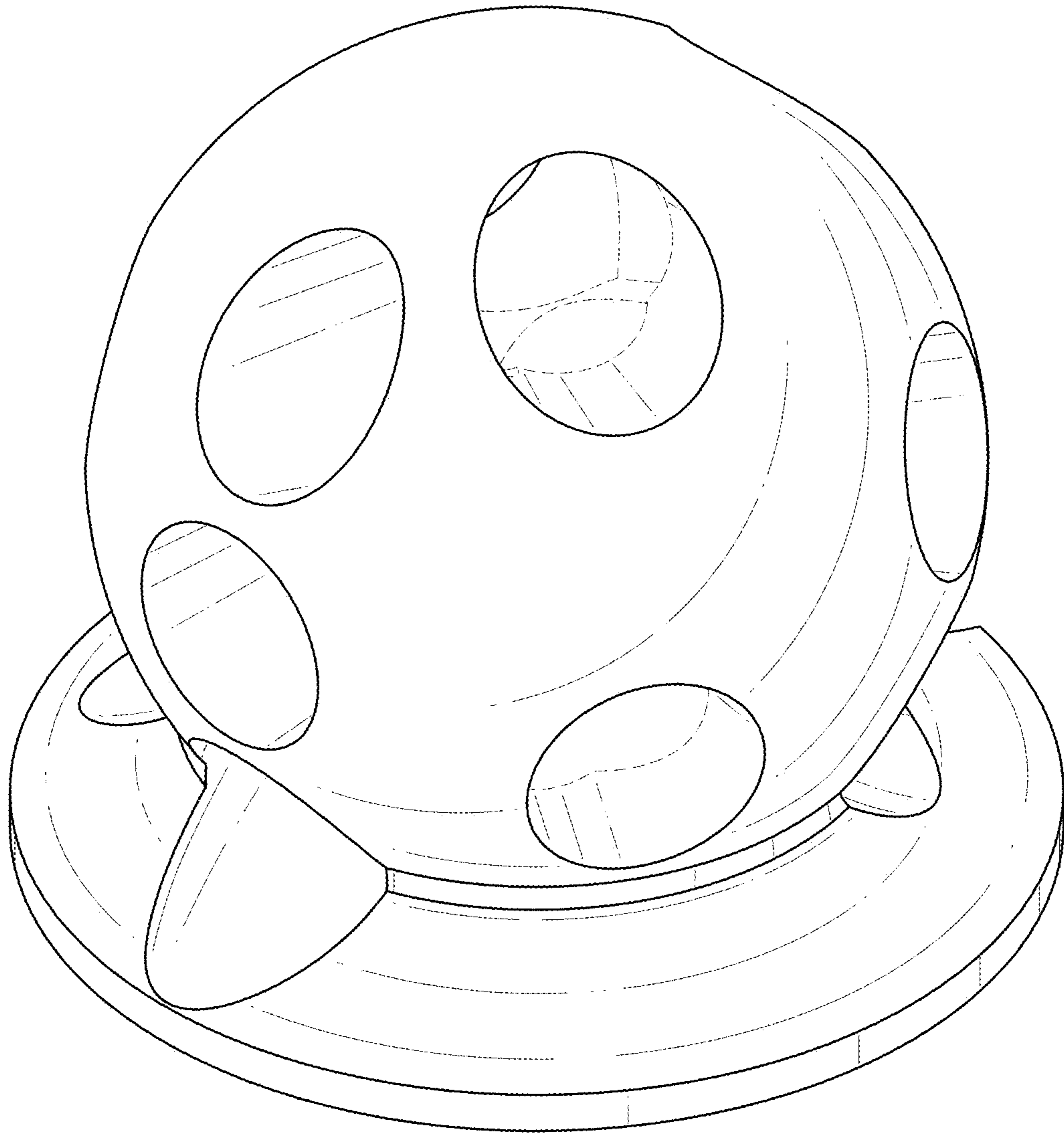


FIG. 1

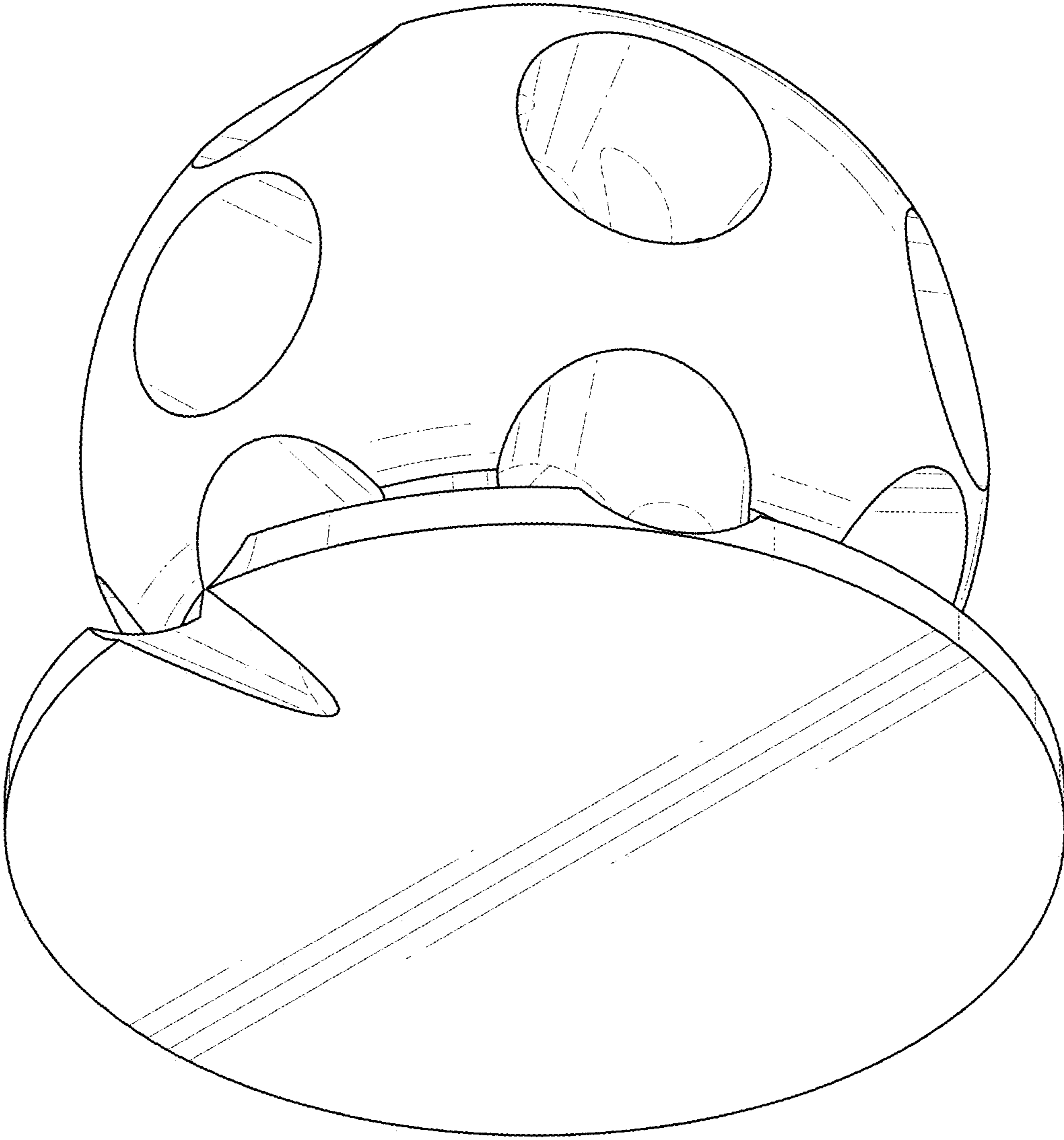


FIG. 2

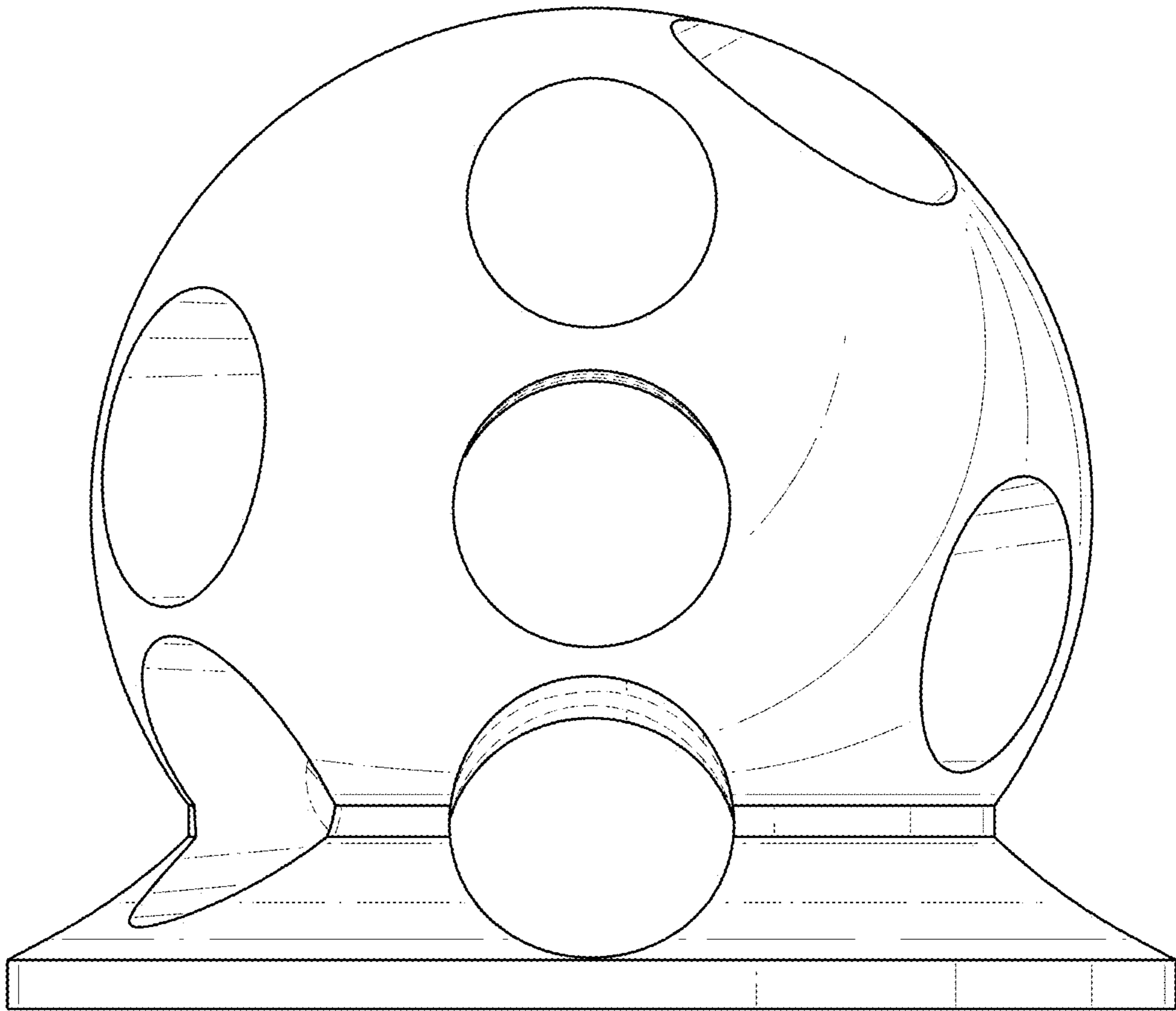


FIG. 3

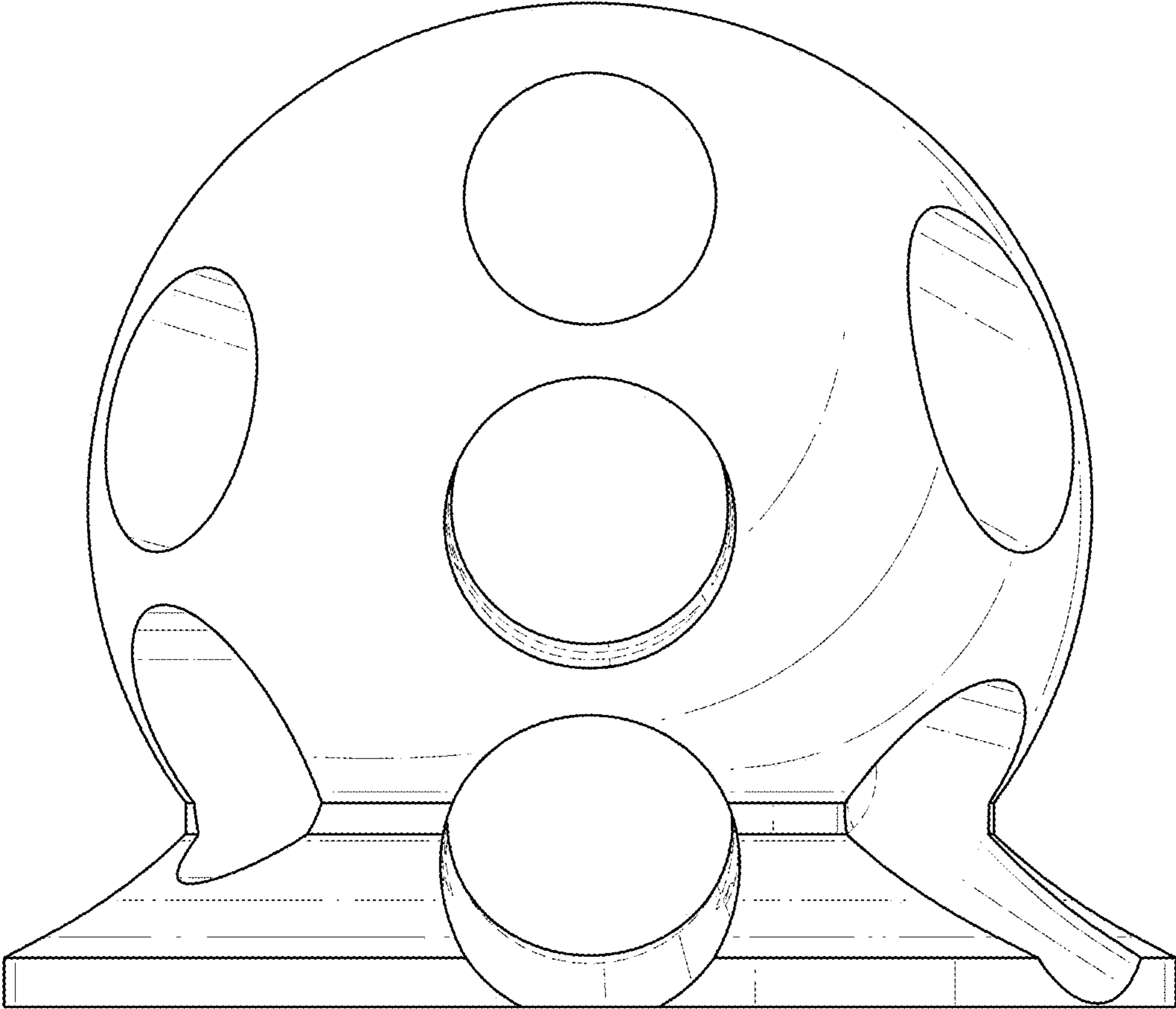


FIG. 4

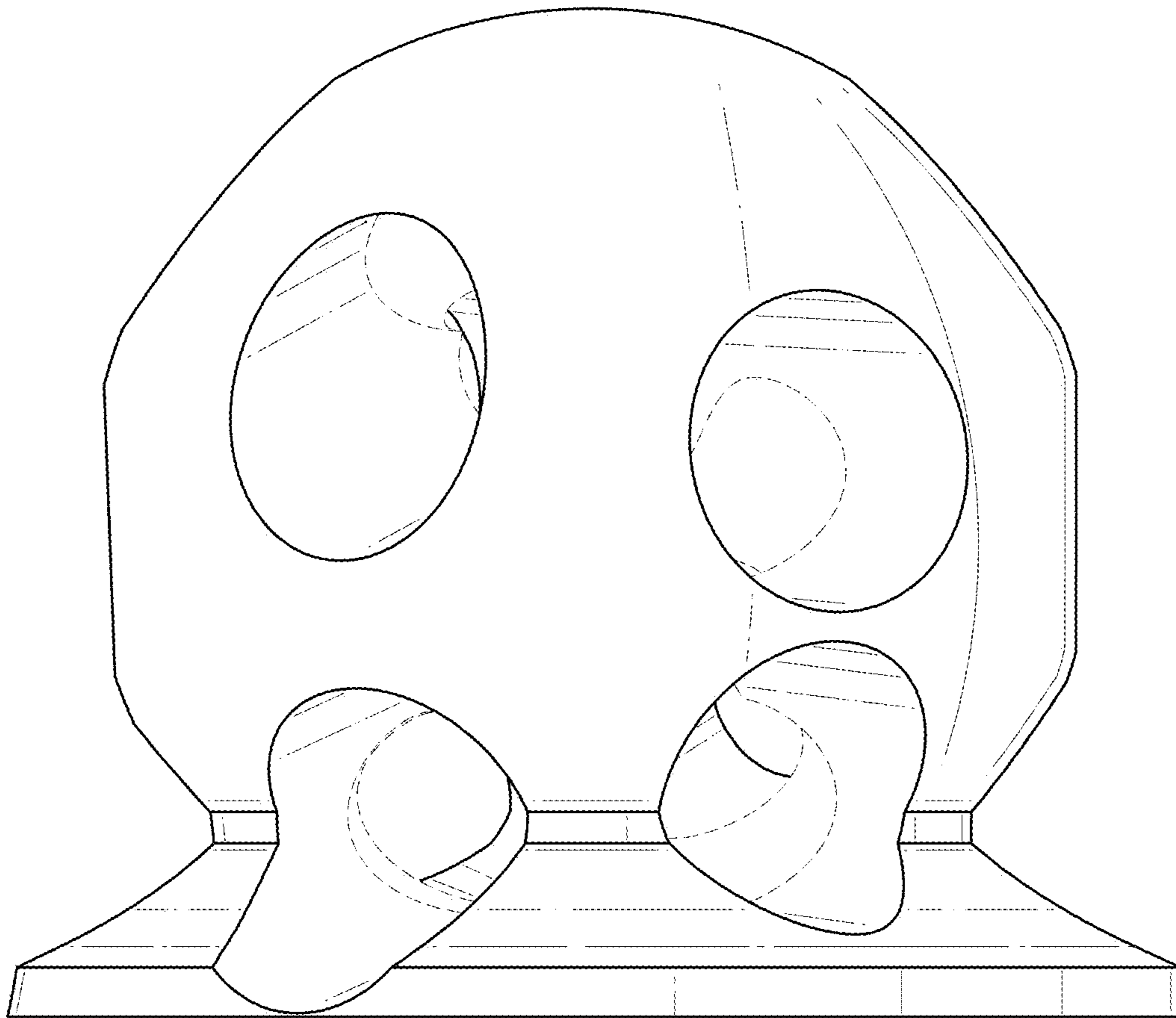


FIG. 5

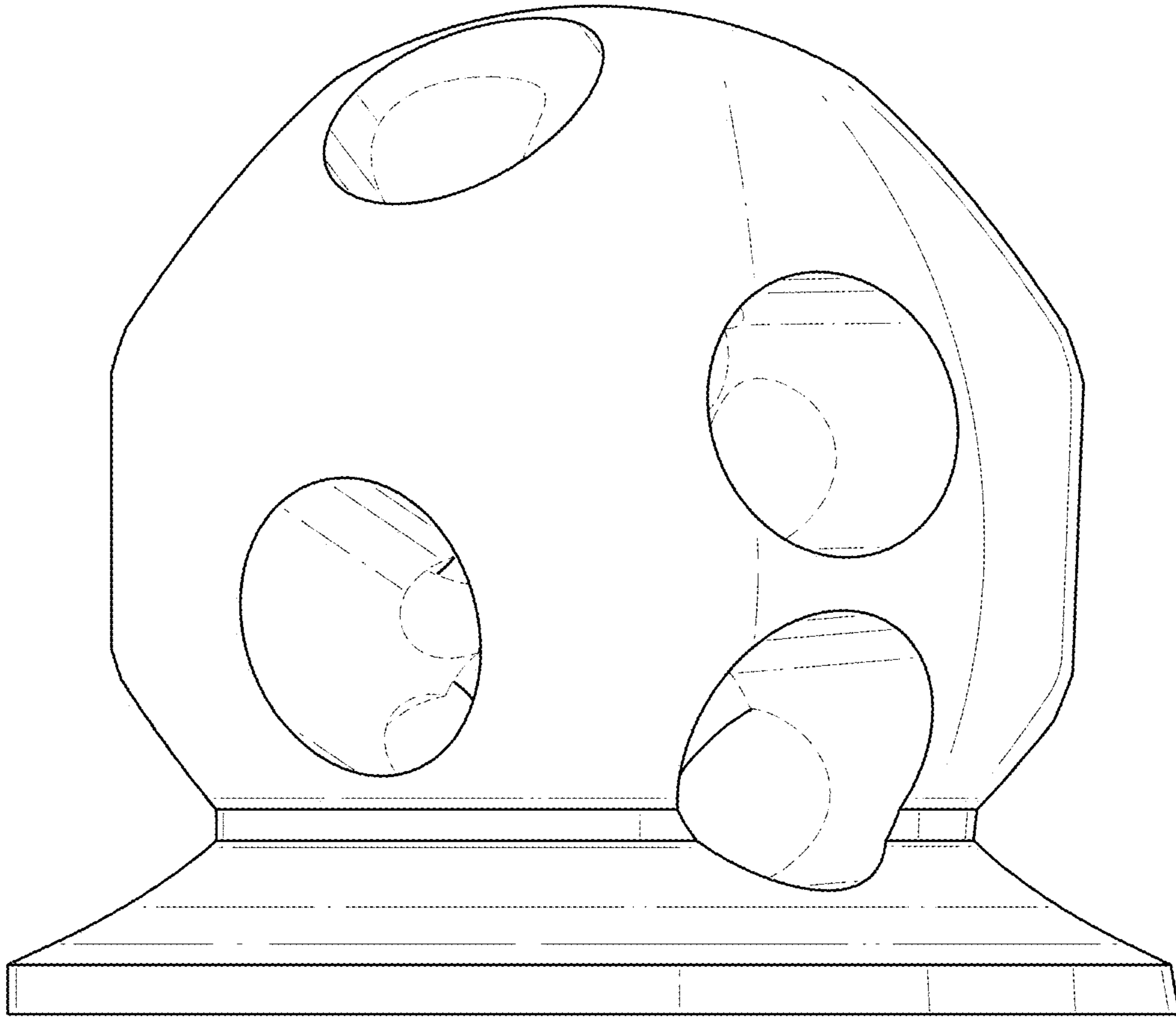


FIG. 6

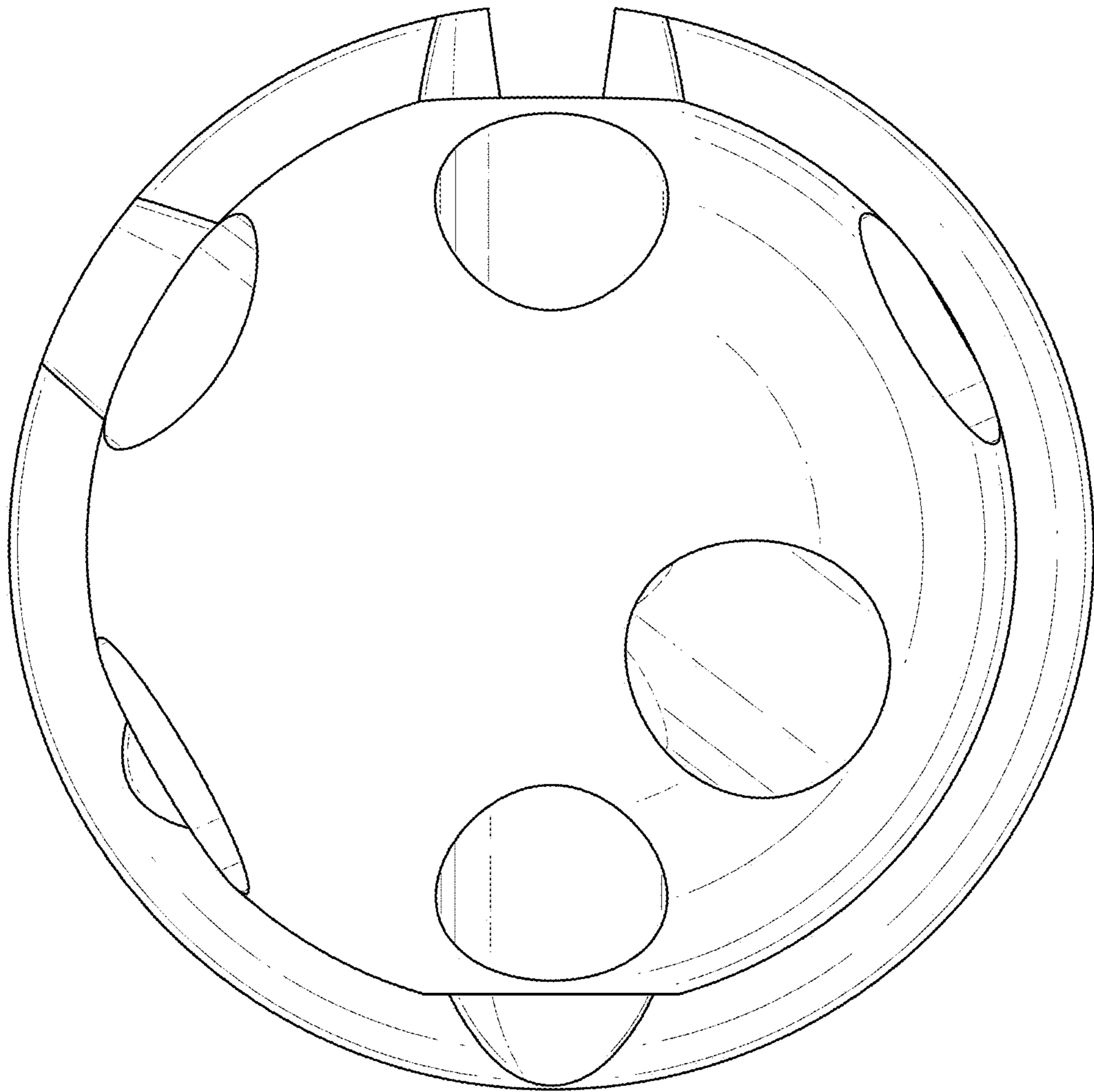


FIG. 7

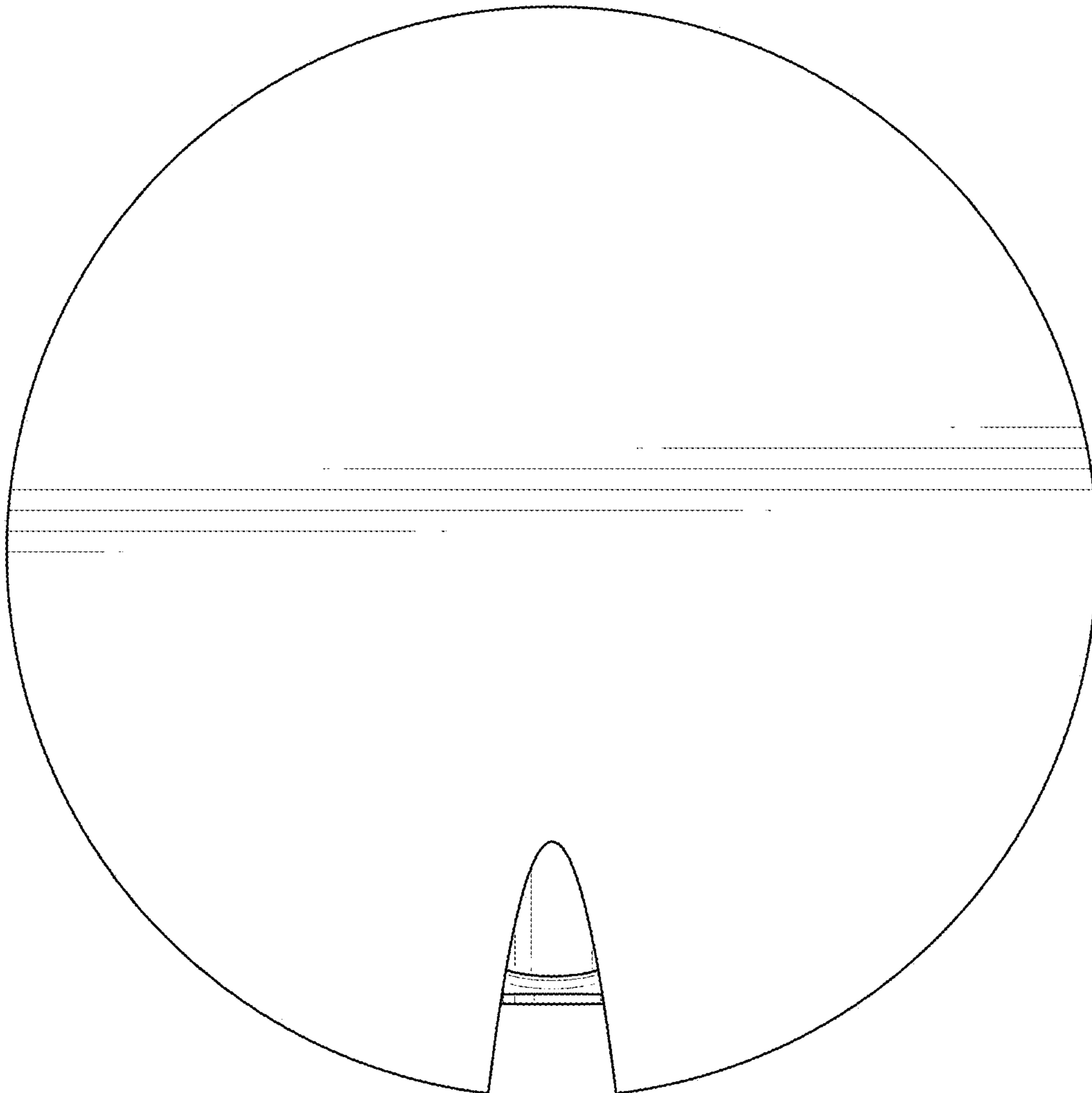


FIG. 8