



US00D974511S

(12) **United States Design Patent**  
**Zhang**

(10) **Patent No.:** **US D974,511 S**

(45) **Date of Patent:** **\*\* Jan. 3, 2023**

(54) **FOUR-WHEELED ROLLER SHOE**

(71) Applicant: **Quanzhou Shengxuan Sporting Goods Co., Ltd.**, Quanzhou (CN)

(72) Inventor: **Binjie Zhang**, Quanzhou (CN)

(\*\*) Term: **15 Years**

(21) Appl. No.: **29/786,475**

(22) Filed: **Jun. 1, 2021**

(51) **LOC (14) Cl.** ..... **21-02**

(52) **U.S. Cl.**  
USPC ..... **D21/763; D2/904**

(58) **Field of Classification Search**  
USPC ..... D21/760-764, 771; D2/904  
CPC ..... A63C 17/00; A63C 17/02; A63C 17/008;  
A63C 17/0086  
See application file for complete search history.

(56) **References Cited**

**U.S. PATENT DOCUMENTS**

- 3,983,643 A \* 10/1976 Schreyer ..... A43B 5/1633  
280/11.19
- 5,398,970 A \* 3/1995 Tucky ..... A43B 5/1633  
280/841
- 5,511,824 A \* 4/1996 Kim ..... A63C 17/20  
280/841
- D416,301 S \* 11/1999 Racine ..... D21/764
- 6,364,322 B1 \* 4/2002 Lee ..... A63C 17/20  
280/11.27
- 6,386,555 B1 \* 5/2002 Kao ..... A43B 5/1633  
280/841
- D459,777 S 7/2002 Yang
- 6,536,785 B2 \* 3/2003 Lee ..... A63C 17/008  
280/841
- 7,407,167 B1 \* 8/2008 Chou ..... A63C 17/008  
280/841
- D579,638 S \* 11/2008 Lin ..... D21/771
- D580,132 S \* 11/2008 Lin ..... D21/771

- D592,724 S 5/2009 Klamer et al.
- D903,800 S \* 12/2020 Guo ..... D2/904
- 11,198,053 B2 \* 12/2021 Park ..... A43B 19/00
- D955,092 S \* 6/2022 Shi ..... D21/763
- 2003/0102642 A1 \* 6/2003 Wang ..... A43B 5/1633  
280/11.233
- 2003/0141680 A1 \* 7/2003 Clark ..... A63C 17/20  
280/11.27
- 2004/0066011 A1 \* 4/2004 Chu ..... A63C 17/008  
280/11.19
- 2009/0058021 A1 \* 3/2009 Lin ..... A63C 17/20  
280/11.27
- 2009/0107008 A1 \* 4/2009 Chou ..... A63C 17/08  
36/103

\* cited by examiner

*Primary Examiner* — Cynthia M. Chin

(74) *Attorney, Agent, or Firm* — Rमित Ranjit Kanakia

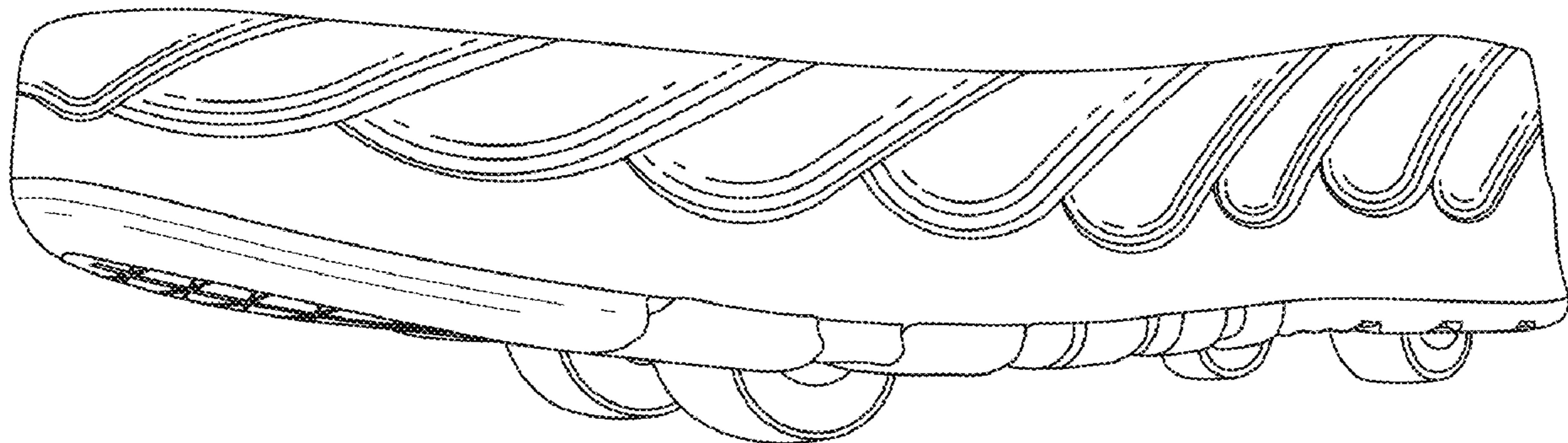
(57) **CLAIM**

The ornamental design for a four-wheeled roller shoe, as shown and described.

**DESCRIPTION**

FIG. 1 is a perspective view of a four-wheeled roller shoe showing my new design;  
 FIG. 2 is a front view thereof;  
 FIG. 3 is a rear view thereof;  
 FIG. 4 is a left-side view thereof;  
 FIG. 5 is a right-side view thereof;  
 FIG. 6 is a bottom view thereof;  
 FIG. 7 is a top view thereof; and,  
 FIG. 8 is an exploded view thereof.  
 The broken lines immediately adjacent areas partially bound by solid lines represent the bounds of the claim and all other broken lines represent portions of the four-wheeled roller shoe that form no part of the claimed design. None of the broken lines form a part of the claim.

**1 Claim, 8 Drawing Sheets**



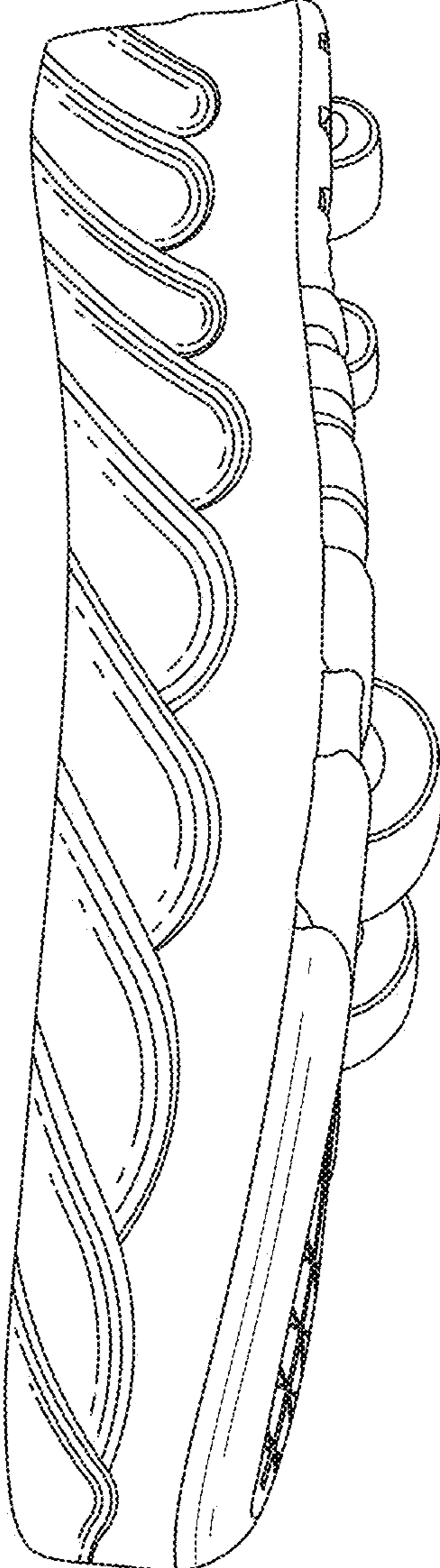


FIG.1

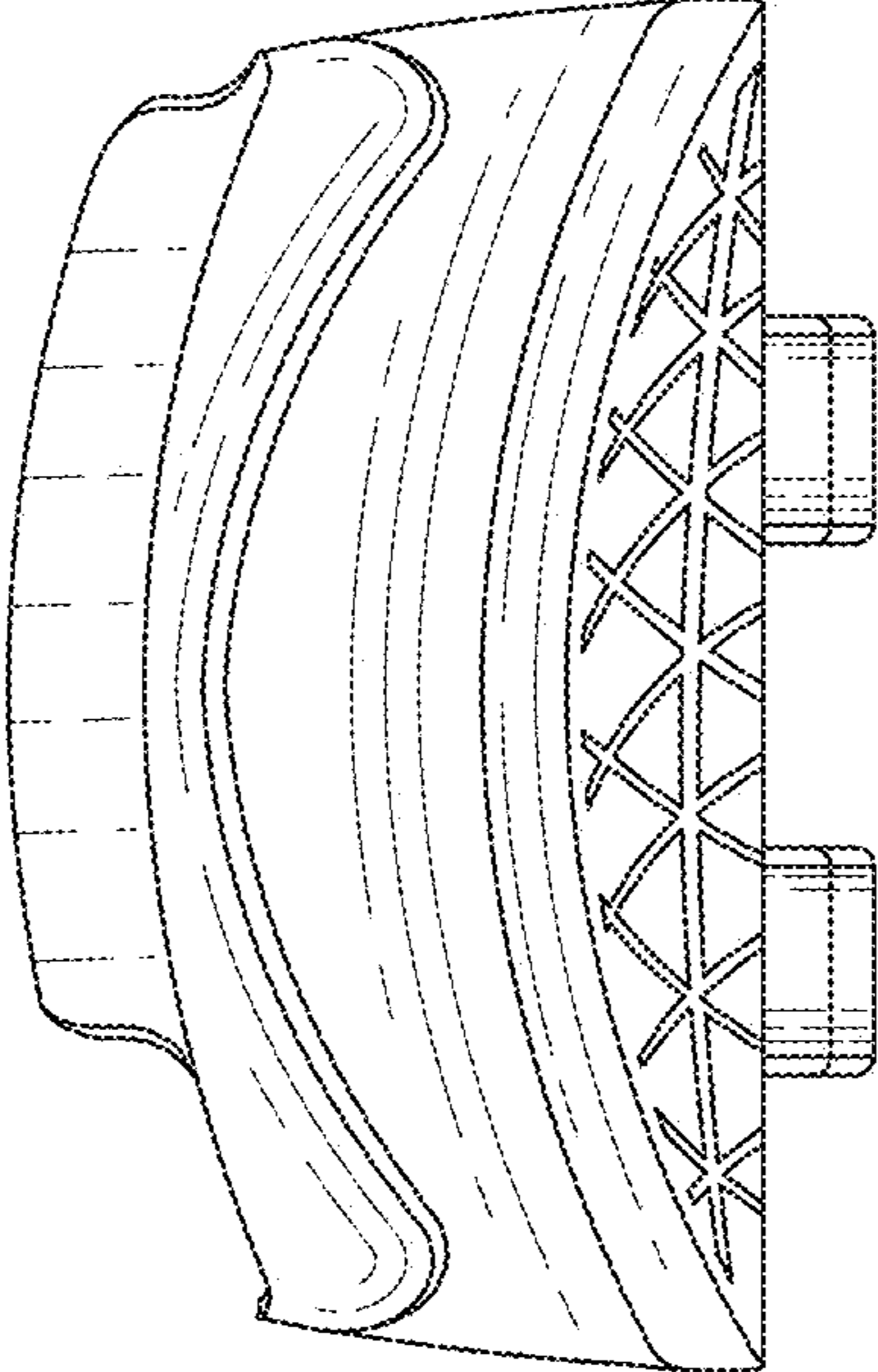


FIG.2

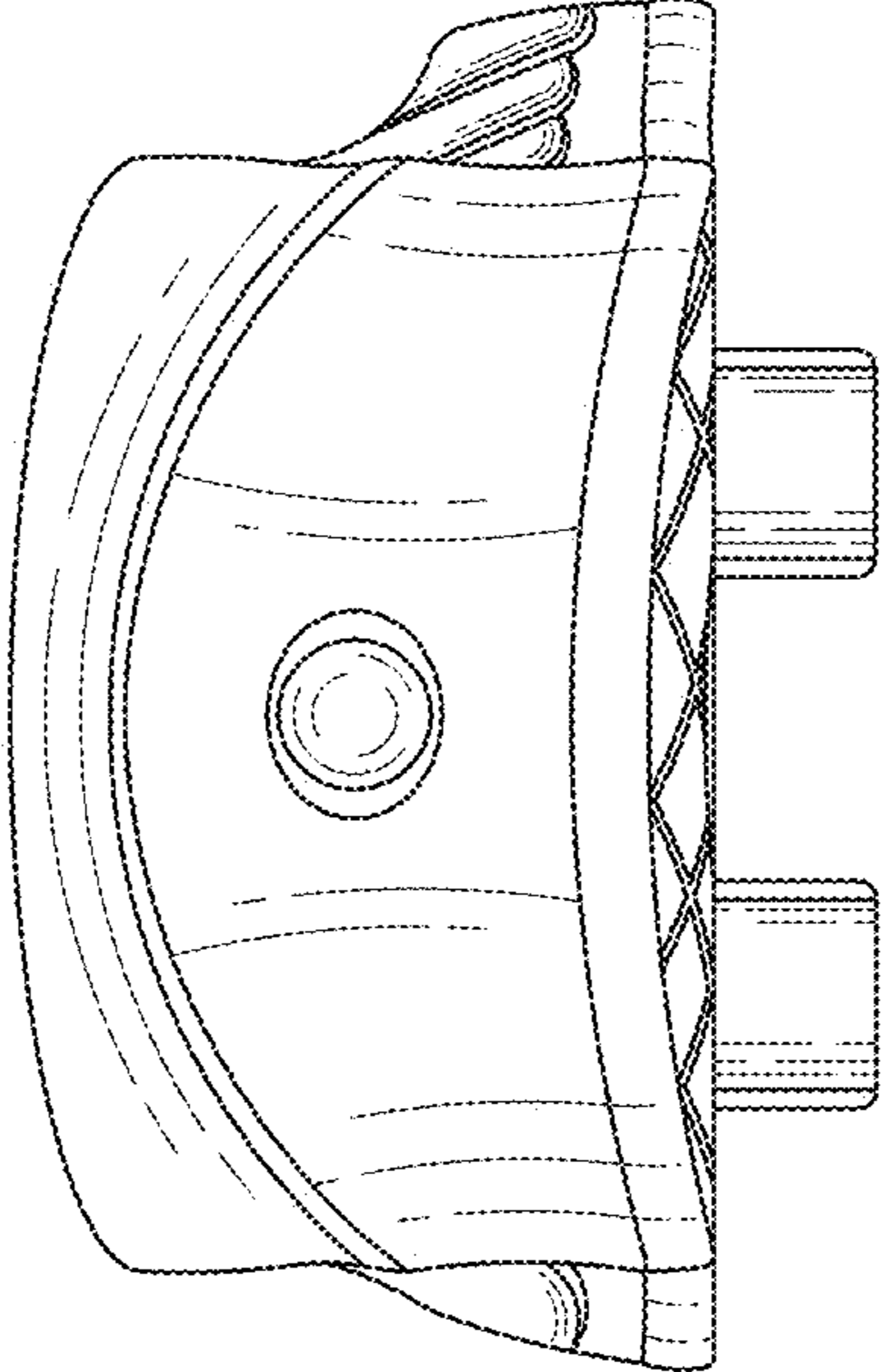


FIG. 3

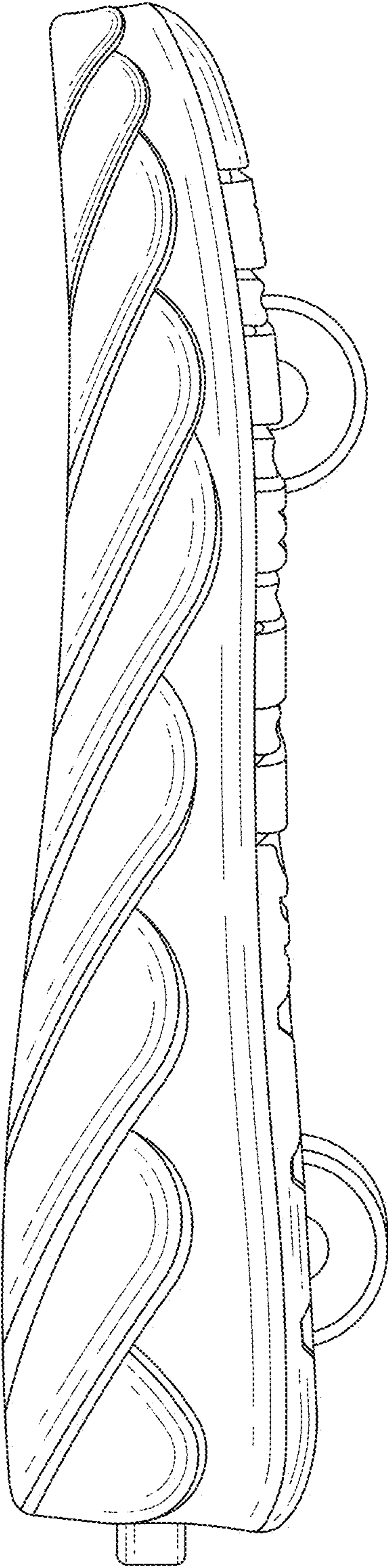


FIG.4

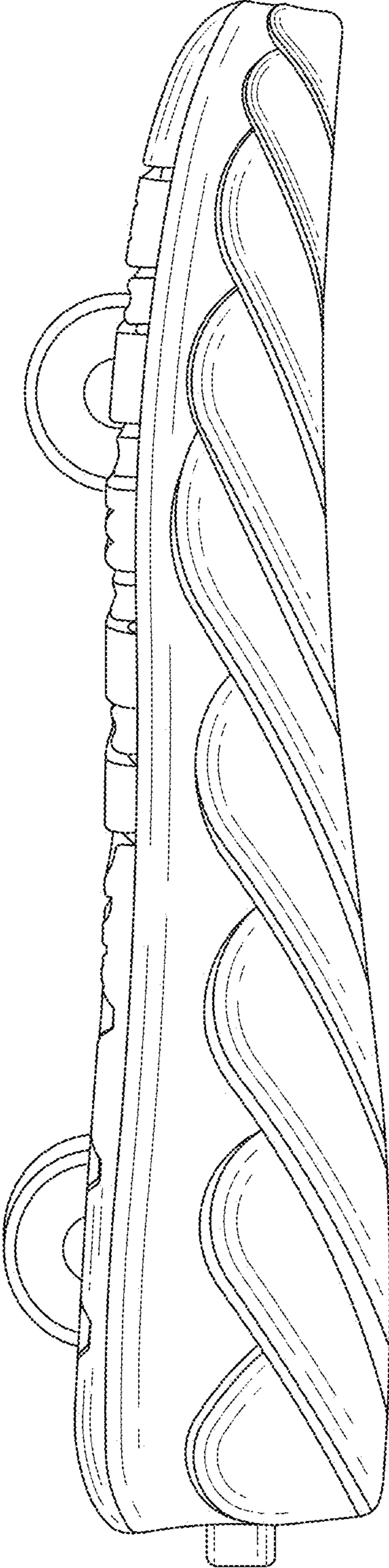


FIG.5

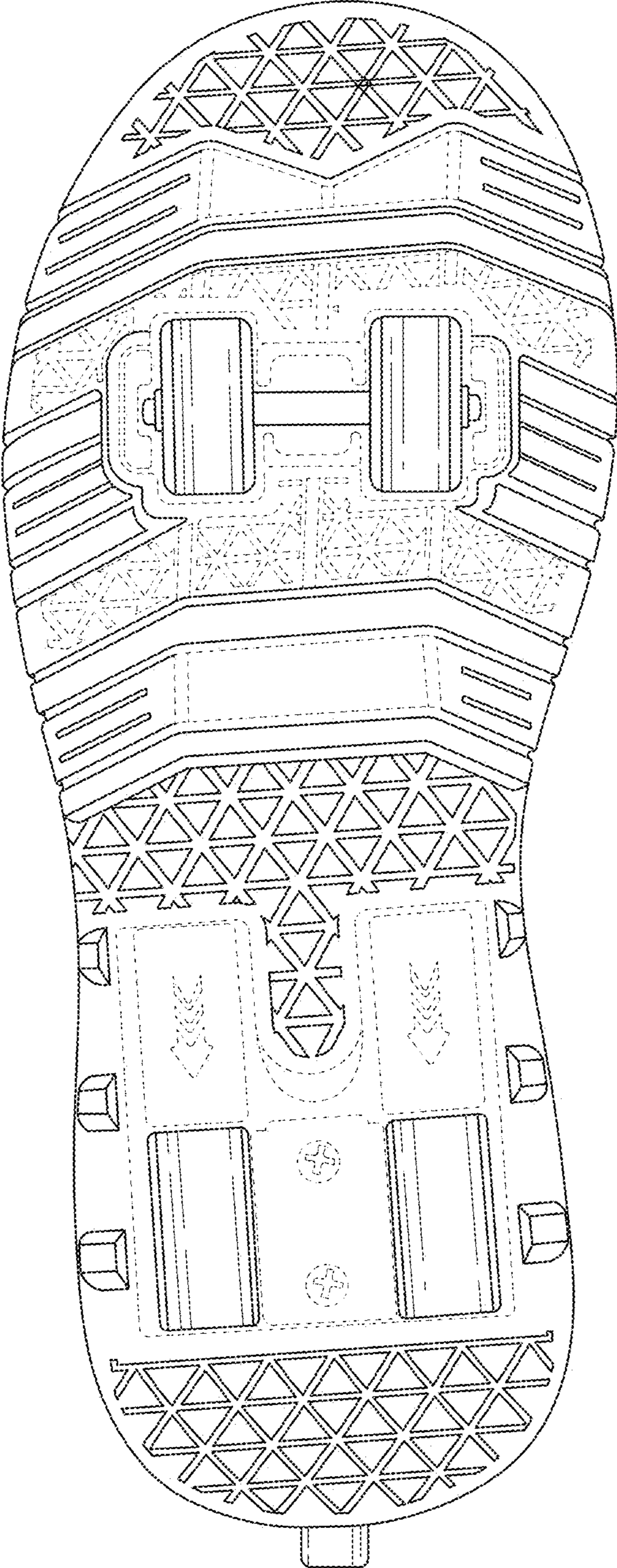


FIG.6

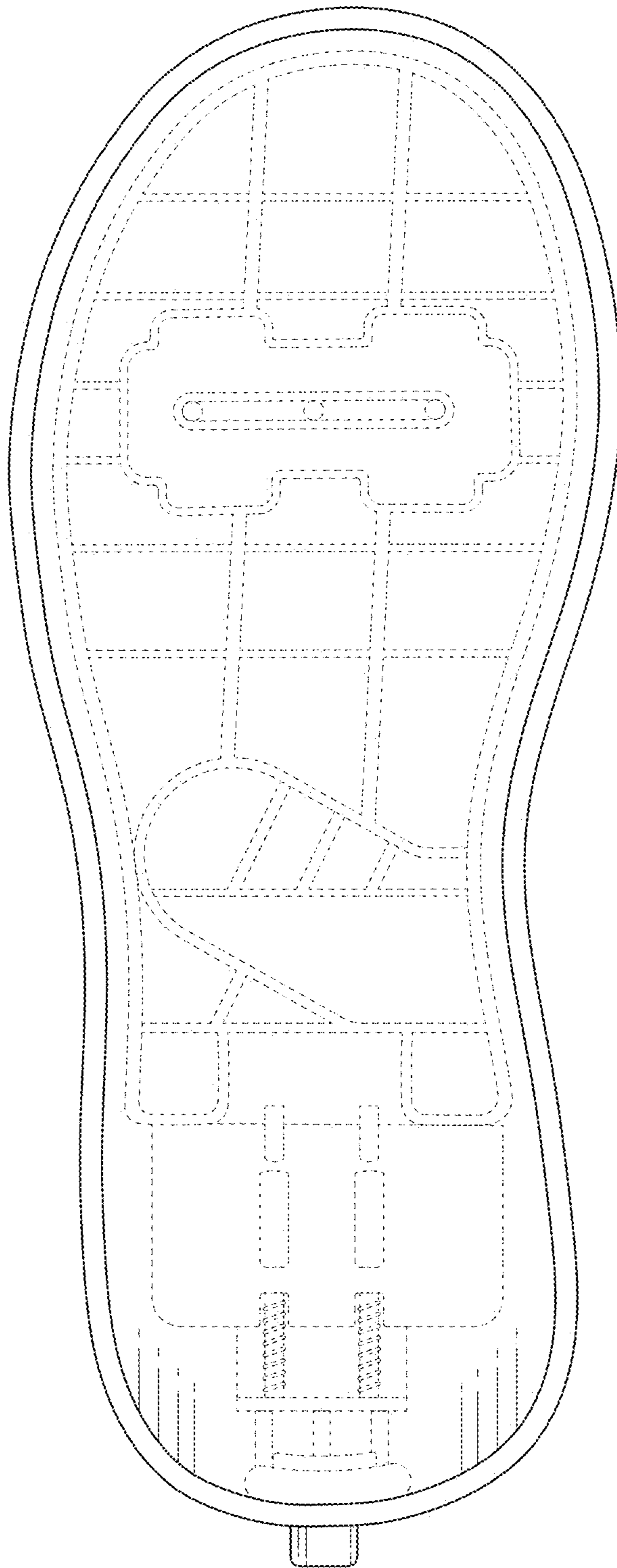


FIG.7



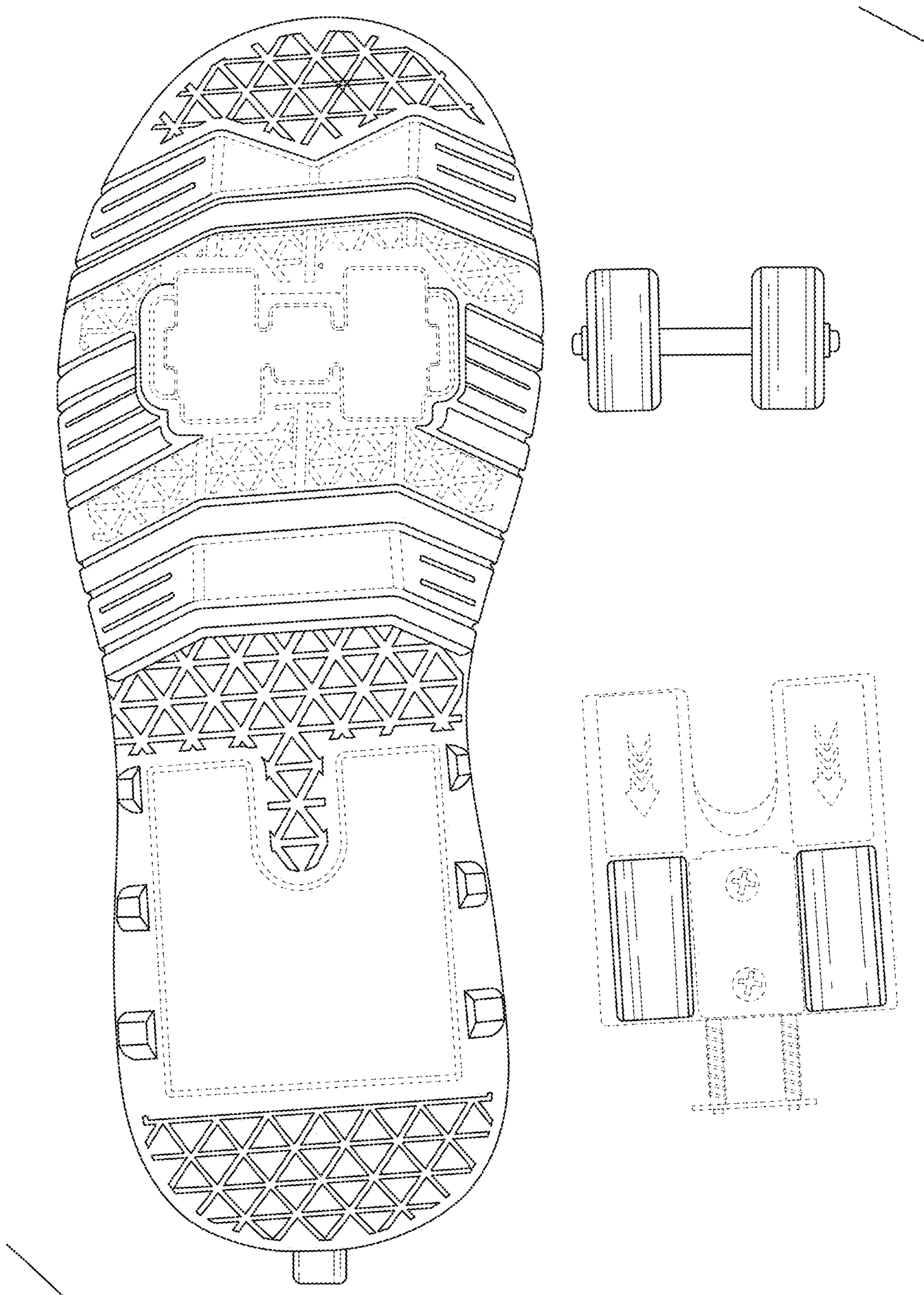


FIG. 8