



US00D974510S

(12) **United States Design Patent**
Wang et al.

(10) **Patent No.:** **US D974,510 S**

(45) **Date of Patent:** **** *Jan. 3, 2023**

(54) **GOLF CLUB HEAD**

(71) Applicant: **KARSTEN MANUFACTURING CORPORATION**, Phoenix, AZ (US)

(72) Inventors: **Calvin S. Wang**, Chandler, AZ (US);
David A. Higdon, Cave Creek, AZ (US); **Anthony D. Serrano**, Phoenix, AZ (US)

(73) Assignee: **Karsten Manufacturing Corporation**, Phoenix, AZ (US)

(*) Notice: This patent is subject to a terminal disclaimer.

(**) Term: **15 Years**

(21) Appl. No.: **29/754,127**

(22) Filed: **Oct. 6, 2020**

(51) **LOC (14) Cl.** **21-02**

(52) **U.S. Cl.**
USPC **D21/743**

(58) **Field of Classification Search**
USPC D21/736-746, 752
CPC A63B 53/00; A63B 53/04; A63B 53/007;
A63B 53/065; A63B 53/0487; A63B 60/00; A63B 60/46
See application file for complete search history.

(56) **References Cited**

U.S. PATENT DOCUMENTS

4,741,535 A	5/1988	Leonhardt	
D323,867 S	2/1992	Rizzotto	
D350,177 S	8/1994	Ramirez et al.	
D359,330 S	6/1995	Channell	
D381,382 S *	7/1997	Fenton, Jr. D21/743
5,997,409 A	12/1999	Mattson	
D421,471 S	3/2000	Moldovan	
D436,638 S	1/2001	Carrier	
6,634,956 B1	10/2003	Pegg	

D517,143 S	3/2006	Petsel	
D532,844 S	11/2006	Rollinson	
D532,845 S *	11/2006	Rollinson D21/736
D564,607 S *	3/2008	Oldknow D21/736
D568,954 S *	5/2008	Oldknow D21/759
D573,673 S *	7/2008	Noyes D21/721
D574,908 S *	8/2008	Hettinger D21/743
D582,497 S *	12/2008	Rollinson D21/744
D589,575 S	3/2009	Kim et al.	
D590,461 S	4/2009	Kim et al.	
D591,807 S *	5/2009	Rollinson D21/744
D594,917 S	6/2009	Stellander	
D595,373 S	6/2009	Kim et al.	
D604,787 S *	11/2009	Hopkins D21/736

(Continued)

OTHER PUBLICATIONS

<https://www.2ndswing.com/nike/golf-putters/everclear-e33/#used> ,
Nike Everclear E33 Putter, Jun. 13, 2017.

(Continued)

Primary Examiner — Mitchell I. Siegel

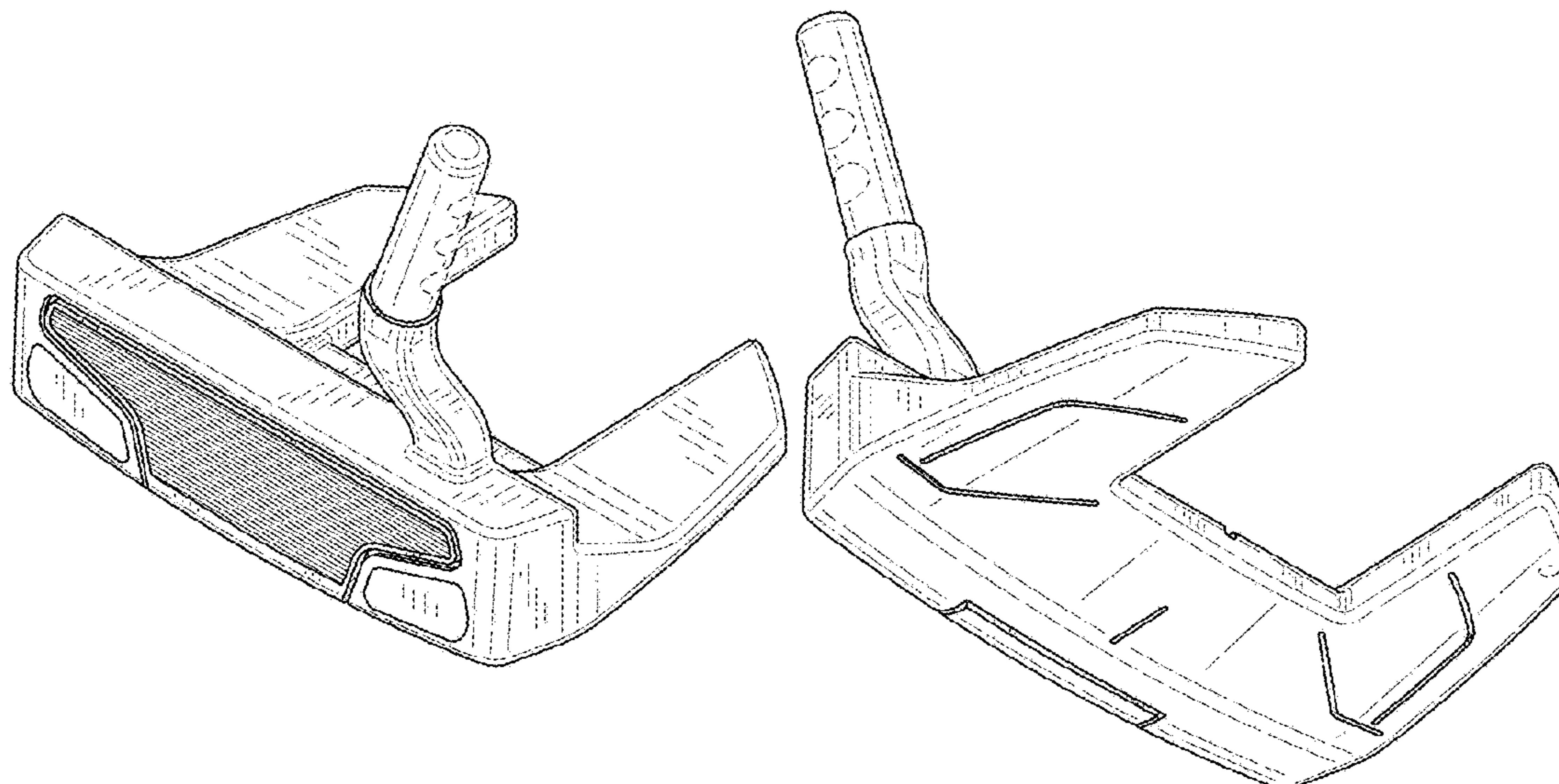
(57) **CLAIM**

The ornamental design for a golf club head, as shown and described.

DESCRIPTION

FIG. 1 is a top perspective view of a golf club head;
FIG. 2 is a bottom perspective view of the golf club head of FIG. 1;
FIG. 3 is a top view of the golf club head of FIG. 1;
FIG. 4 is a bottom view of the golf club head of FIG. 1;
FIG. 5 is a front view of the golf club head of FIG. 1;
FIG. 6 is a rear view of the golf club head of FIG. 1;
FIG. 7 is a heel side view of the golf club head of FIG. 1;
and,
FIG. 8 is a toe side view of the golf club head of FIG. 1.
The broken lines shown on the drawings form no part of the claimed design.

1 Claim, 6 Drawing Sheets



(56)

References Cited

U.S. PATENT DOCUMENTS

D621,458 S 8/2010 Serrano et al.
 D670,774 S * 11/2012 Seiff D21/736
 D688,341 S * 8/2013 Rollinson D21/746
 D691,226 S * 10/2013 Hilton D21/746
 D701,274 S 3/2014 Rollinson
 D720,821 S 1/2015 Brandt
 D728,715 S * 5/2015 Cameron D21/736
 D730,464 S * 5/2015 Cameron D21/743
 D731,605 S 6/2015 Rollinson
 D768,248 S 10/2016 Rollinson
 D771,208 S * 11/2016 Bettinardi D21/744
 D773,573 S * 12/2016 Abbott D21/744
 D776,771 S 1/2017 Peterson
 D777,270 S 1/2017 Rollinson
 D799,617 S * 10/2017 Becktor D21/742
 D801,459 S 10/2017 Rollinson et al.
 D807,453 S * 1/2018 Serrano D21/743
 D812,164 S * 3/2018 Parsons D21/742
 D815,222 S * 4/2018 Serrano D21/743
 D815,703 S * 4/2018 Schweigert D21/736
 D832,381 S * 10/2018 Serrano D21/743
 D844,722 S * 4/2019 Wang D21/736
 D867,495 S * 11/2019 Cameron D21/736
 D867,497 S * 11/2019 Broom D21/743

D867,498 S * 11/2019 Broom D21/743
 D882,006 S * 4/2020 Serrano D21/736
 D892,954 S * 8/2020 Clarke D21/736
 D893,645 S * 8/2020 Serrano D21/743
 D895,748 S * 9/2020 Rollinson D21/743
 D906,453 S * 12/2020 Agrella D21/743
 D910,789 S * 2/2021 Schweigert D21/736
 10,905,928 B2 * 2/2021 Sheldon A63B 53/0487
 D912,174 S * 3/2021 Toulon D21/743
 D921,140 S * 6/2021 Serrano D21/736
 D930,095 S * 9/2021 Wang D21/743
 D934,362 S * 10/2021 Toulon D21/743
 D936,770 S * 11/2021 Cameron D21/744
 D941,411 S * 1/2022 Wang D21/743

OTHER PUBLICATIONS

<https://www.scottycameron.com/archives/putters/2016/futura-x/futura-x5/>, Futura XS, Jun. 13, 2017.
<http://www.clevelandgolf.com/en/clubs-/tfi-2135-elevado-putter/MTFI2135ELEV.html>, TFI 2135 Elevado Putter, Jun. 13, 2017.
<http://rifegolf.com/store#!/~product/category=8856002&id=34731881>, Rife General Left-hand Putter, Jun. 13, 2017.
 TitleistR 2015, p. 41, Acushnet Japan, Inc. Feb. 2015.

* cited by examiner

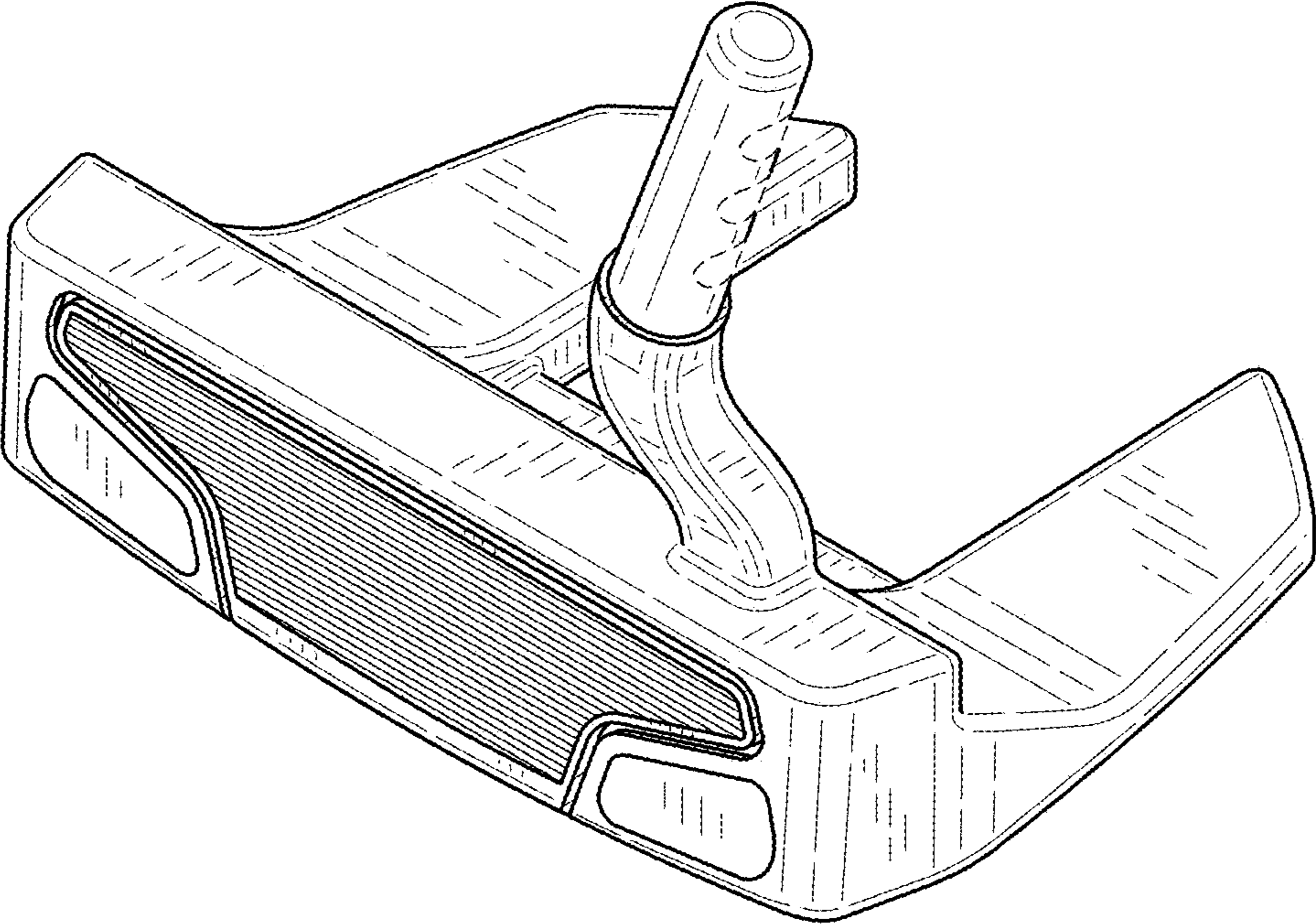


FIG.1

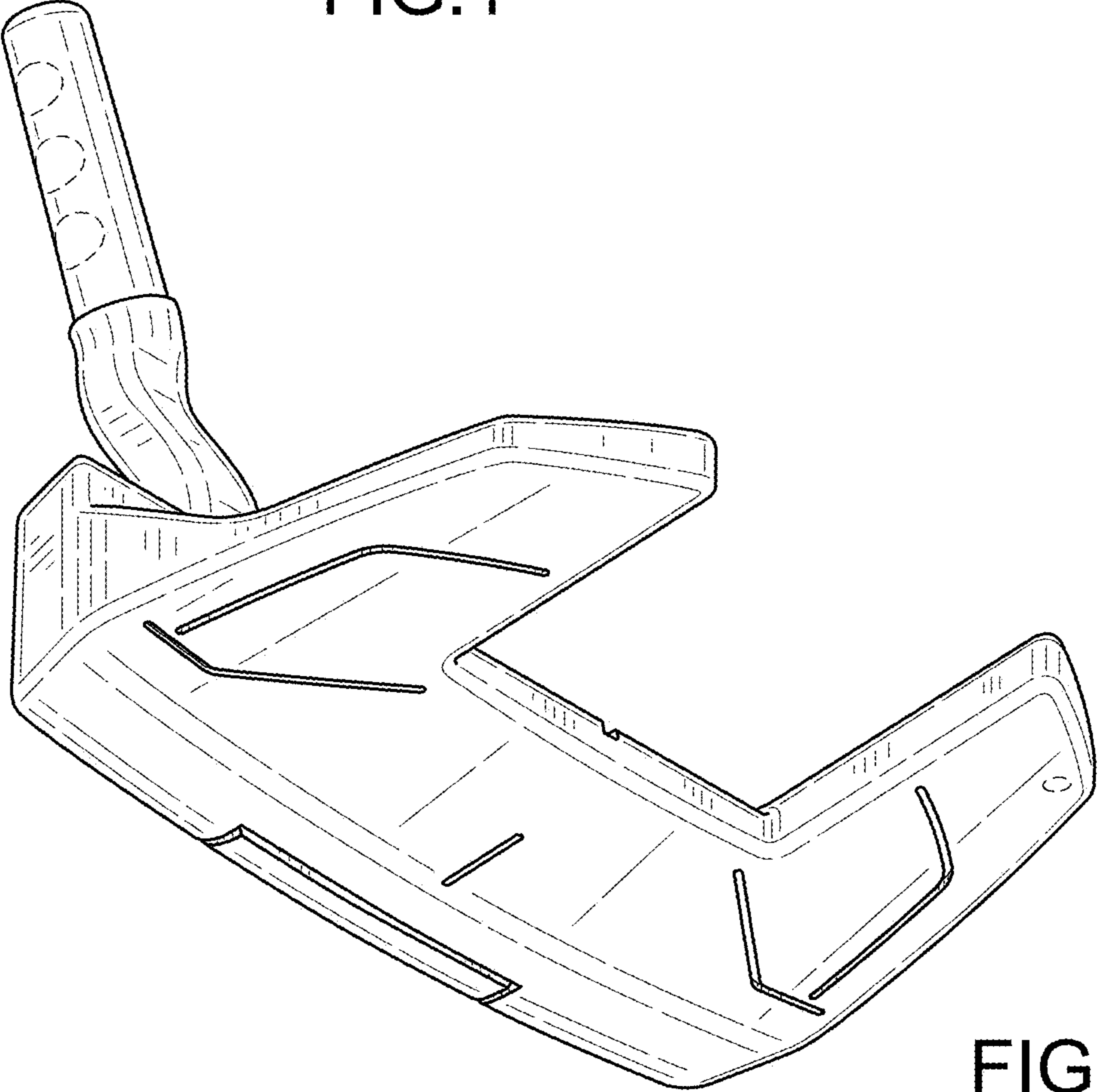


FIG.2

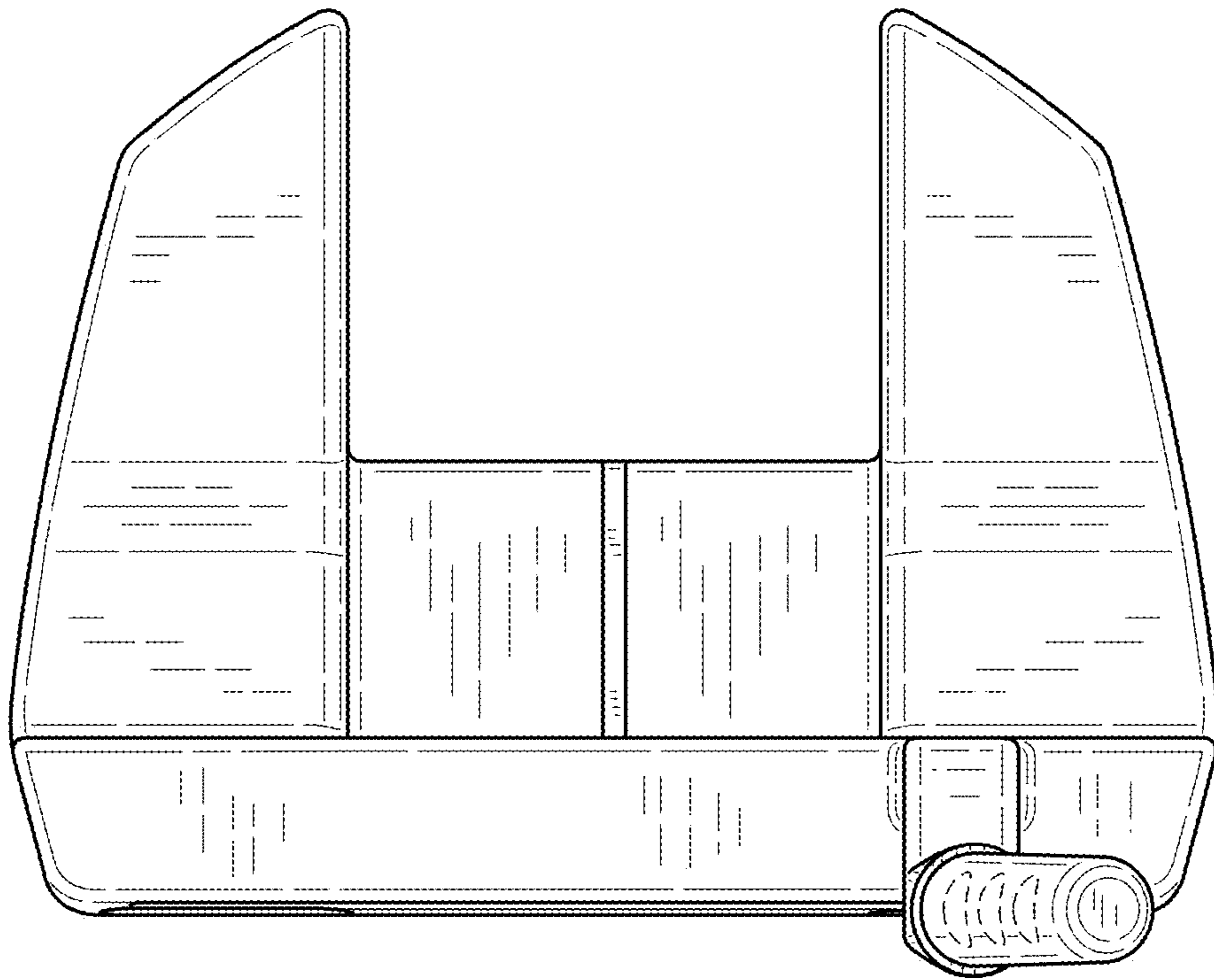


FIG.3

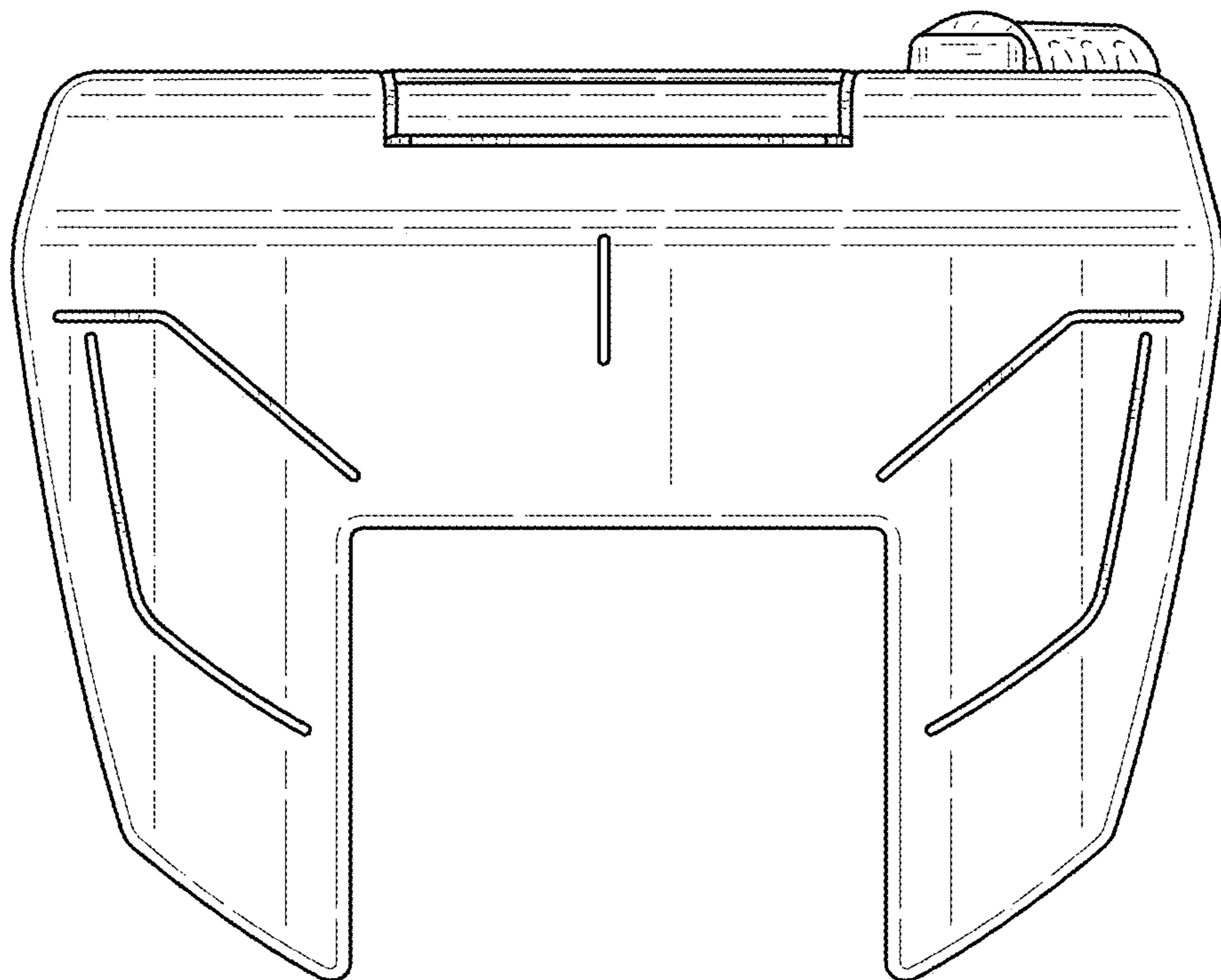


FIG.4

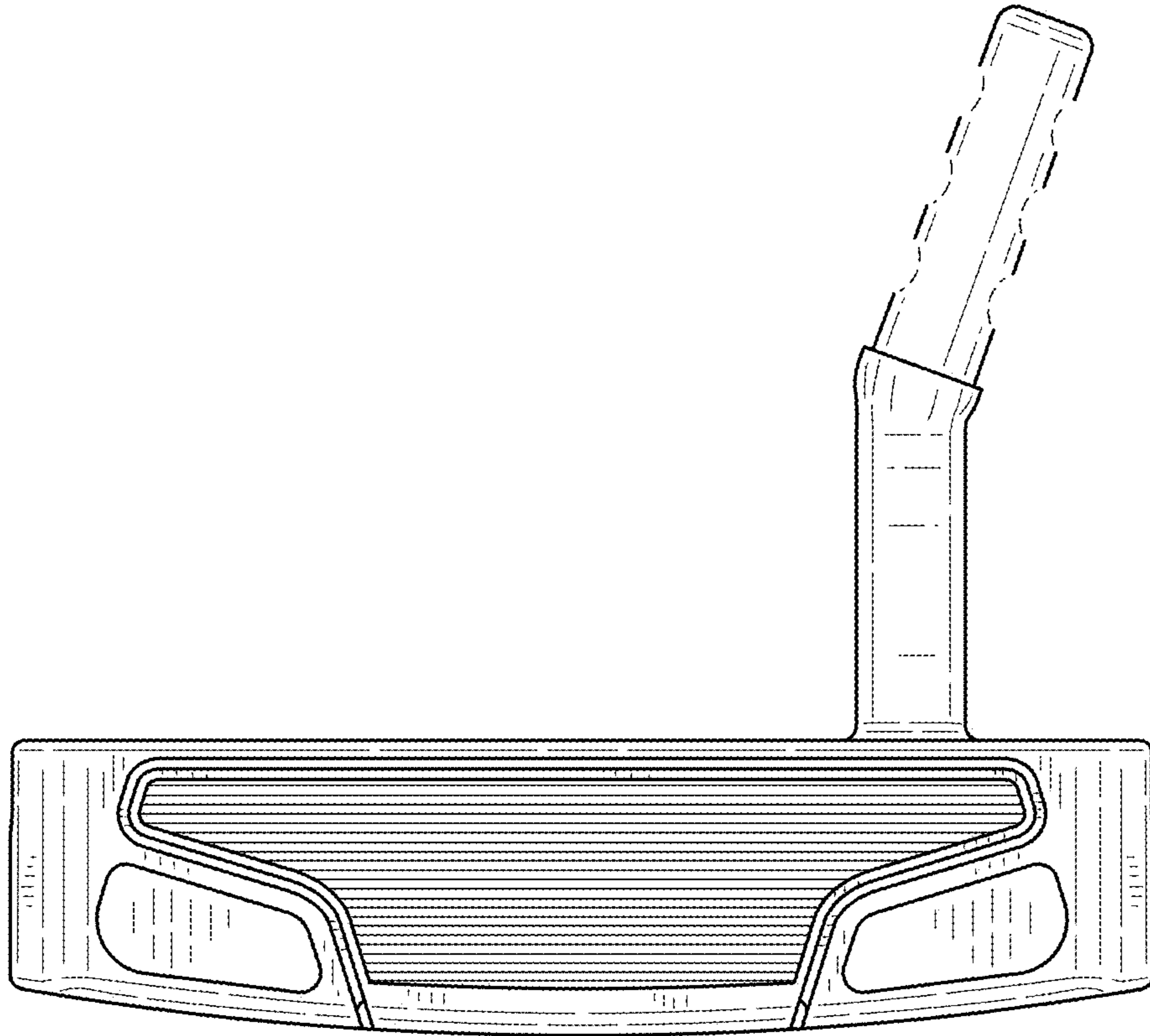


FIG.5

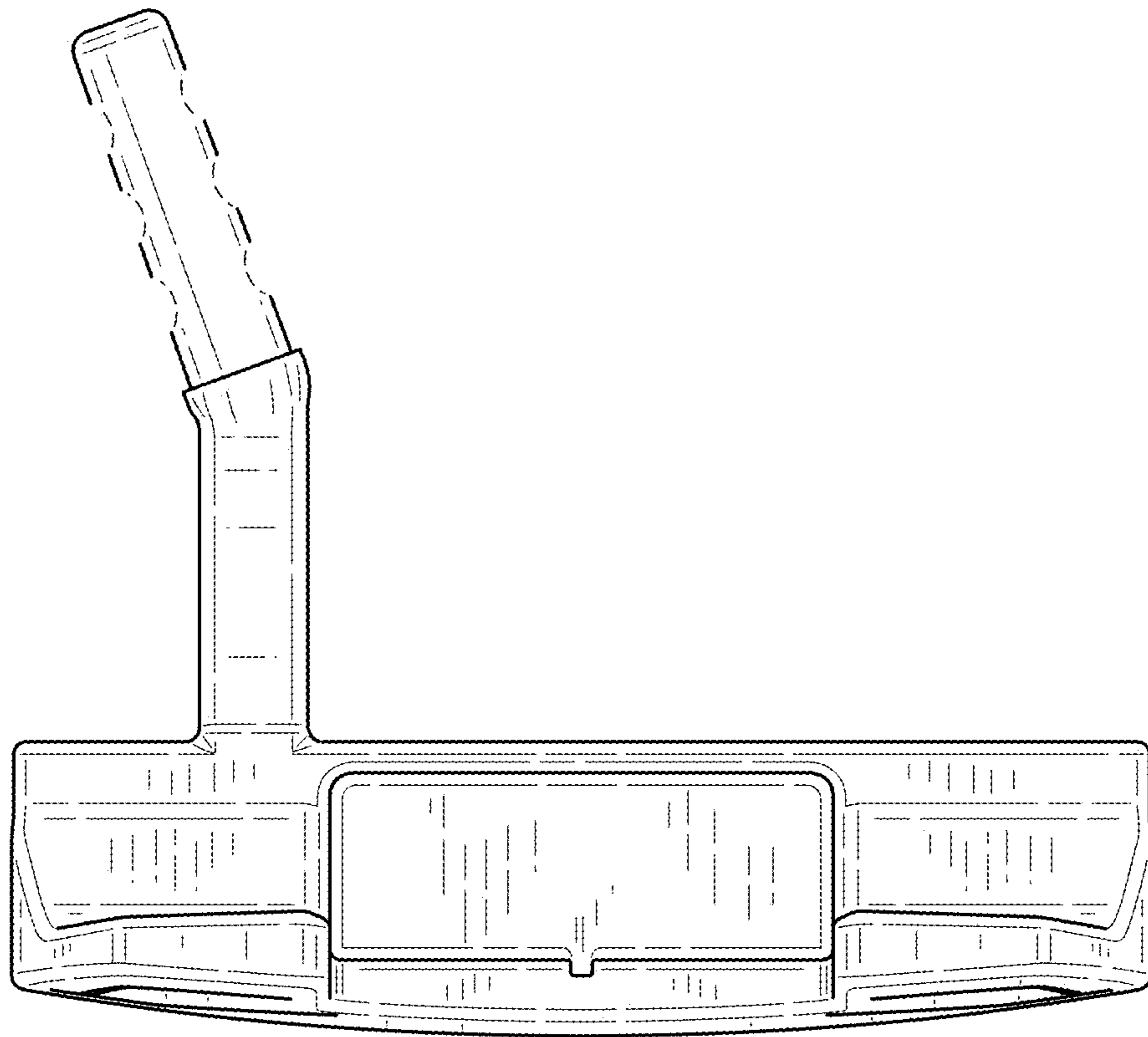


FIG.6

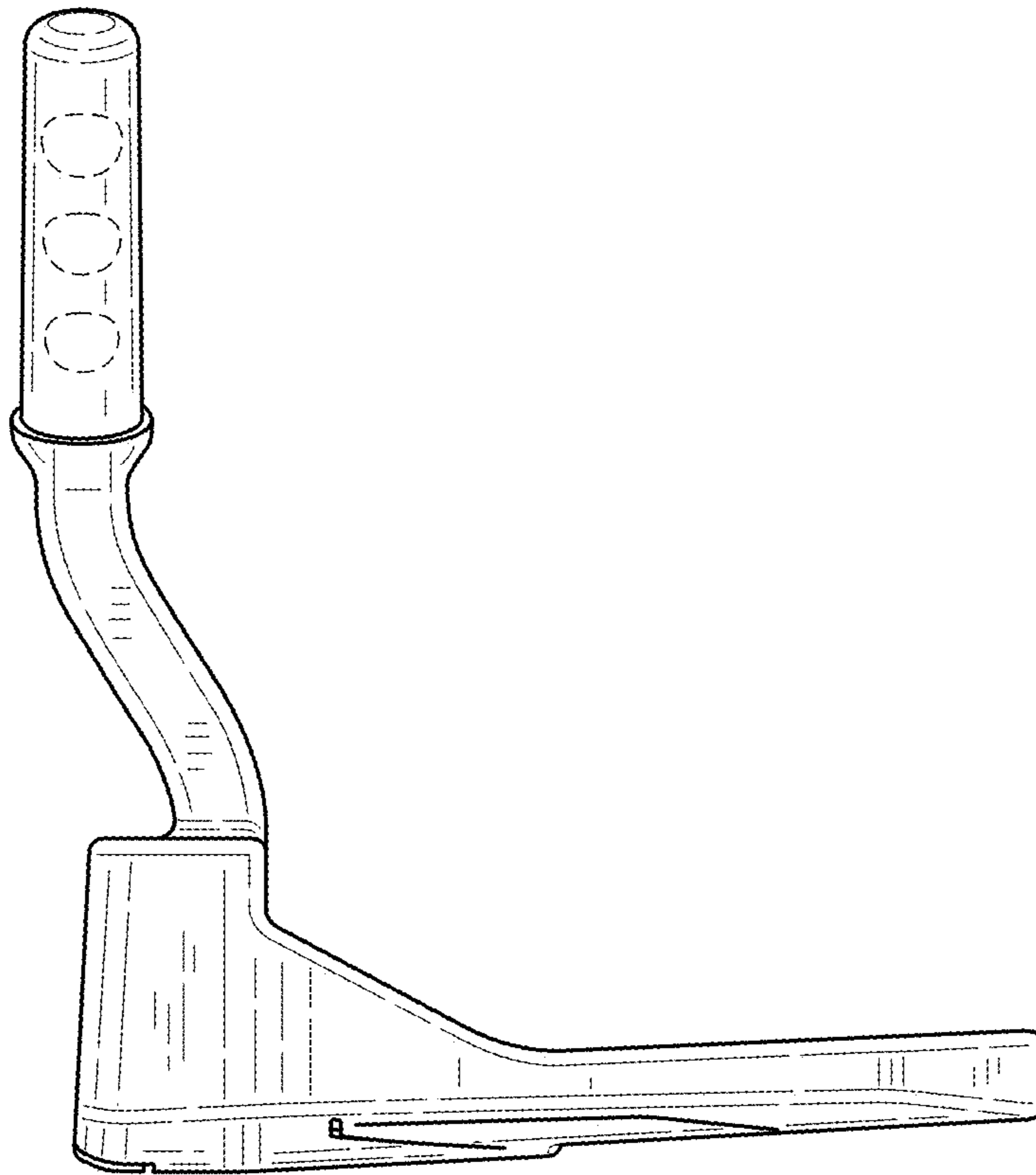


FIG. 7

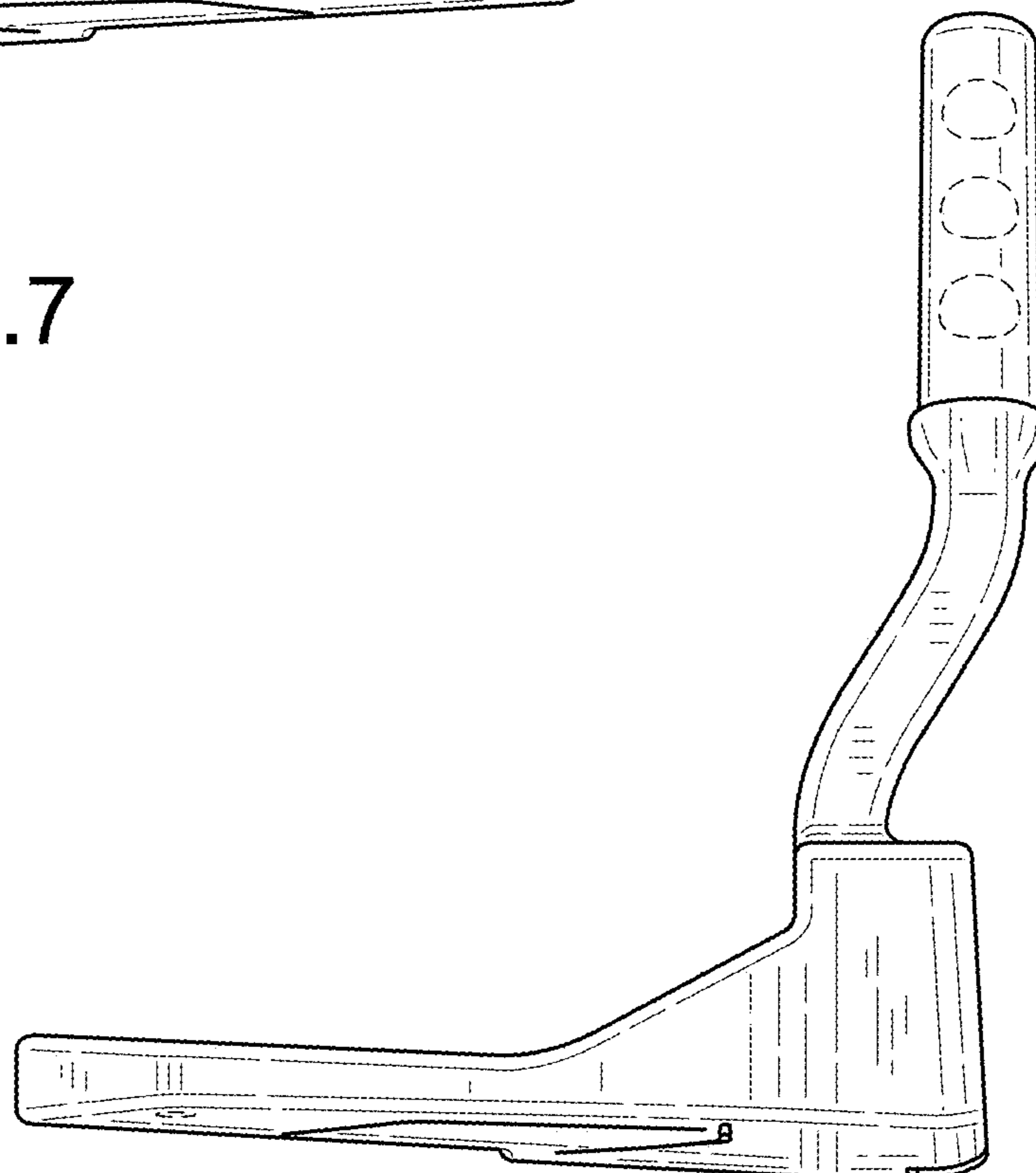


FIG. 8