



US00D974507S

(12) **United States Design Patent**
Kordecki

(10) **Patent No.:** **US D974,507 S**
(45) **Date of Patent:** **** Jan. 3, 2023**

(54) **EXERCISE BENCH FOR PERFORMING
GLUTEAL BRIDGE MOVEMENTS**

(71) Applicant: **Kormel LLC**, Vernon Hills, IL (US)

(72) Inventor: **Michael E. Kordecki**, Vernon Hills, IL (US)

(73) Assignee: **Kormel LLC**, Vernon Hills, IL (US)

(**) Term: **15 Years**

(21) Appl. No.: **29/737,871**

(22) Filed: **Jun. 12, 2020**

(51) **LOC (14) Cl.** **21-02**

(52) **U.S. Cl.**
USPC **D21/690**

(58) **Field of Classification Search**
USPC D21/687, 690, 662, 665, 676, 695, 686,
D21/674, 694, 692; D24/183
See application file for complete search history.

(56) **References Cited**

U.S. PATENT DOCUMENTS

4,004,801 A * 1/1977 Campanaro A63B 22/0087
403/14
4,911,438 A * 3/1990 Van Straaten A63B 21/154
482/130

(Continued)

Primary Examiner — Khawaja Anwar

Assistant Examiner — Julice Seung Eun Oum

(74) *Attorney, Agent, or Firm* — Barnes & Thornburg
LLP

(57) **CLAIM**

The ornamental design for an exercise bench for performing gluteal bridge movements, as shown and described.

DESCRIPTION

FIG. 1 is a perspective view of a first embodiment of an exercise bench for performing gluteal bridge movements in a ready to use position according to a new design.

FIG. 2 is a right-side view of the exercise bench for performing gluteal bridge movements shown in FIG. 1.

FIG. 3 is a left side view of the exercise bench for performing gluteal bridge movements shown in FIG. 1.

FIG. 4 is a front view of the exercise bench for performing gluteal bridge movements shown in FIG. 1.

FIG. 5 is a rear view of the exercise bench for performing gluteal bridge movements shown in FIG. 1.

FIG. 6 is a top view of the exercise bench for performing gluteal bridge movements shown in FIG. 1.

FIG. 7 is a bottom view of the exercise bench for performing gluteal bridge movements shown in FIG. 1.

FIG. 8 is a perspective view of a second embodiment of an exercise bench for performing gluteal bridge movements in a ready to use position according to a new design.

FIG. 9 is a right-side view of the exercise bench for performing gluteal bridge movements shown in FIG. 8.

FIG. 10 is a left side view of the exercise bench for performing gluteal bridge movements shown in FIG. 8.

FIG. 11 is a front view of the exercise bench for performing gluteal bridge movements shown in FIG. 8.

FIG. 12 is a rear view of the exercise bench for performing gluteal bridge movements shown in FIG. 8.

FIG. 13 is a top view of the exercise bench for performing gluteal bridge movements shown in FIG. 8.

FIG. 14 is a bottom view of the exercise bench for performing gluteal bridge movements shown in FIG. 8.

FIG. 15 is a perspective view of a third embodiment of an exercise bench for performing gluteal bridge movements in a collapsed position according to a new design.

FIG. 16 is a right-side view of the exercise bench for performing gluteal bridge movements shown in FIG. 15.

FIG. 17 is a left side view of the exercise bench for performing gluteal bridge movements shown in FIG. 15.

FIG. 18 is a front view of the exercise bench for performing gluteal bridge movements shown in FIG. 15.

FIG. 19 is a rear view of the exercise bench for performing gluteal bridge movements shown in FIG. 15.

FIG. 20 is a top view of the exercise bench for performing gluteal bridge movements shown in FIG. 15.

FIG. 21 is a bottom view of the exercise bench for performing gluteal bridge movements shown in FIG. 15.

(Continued)

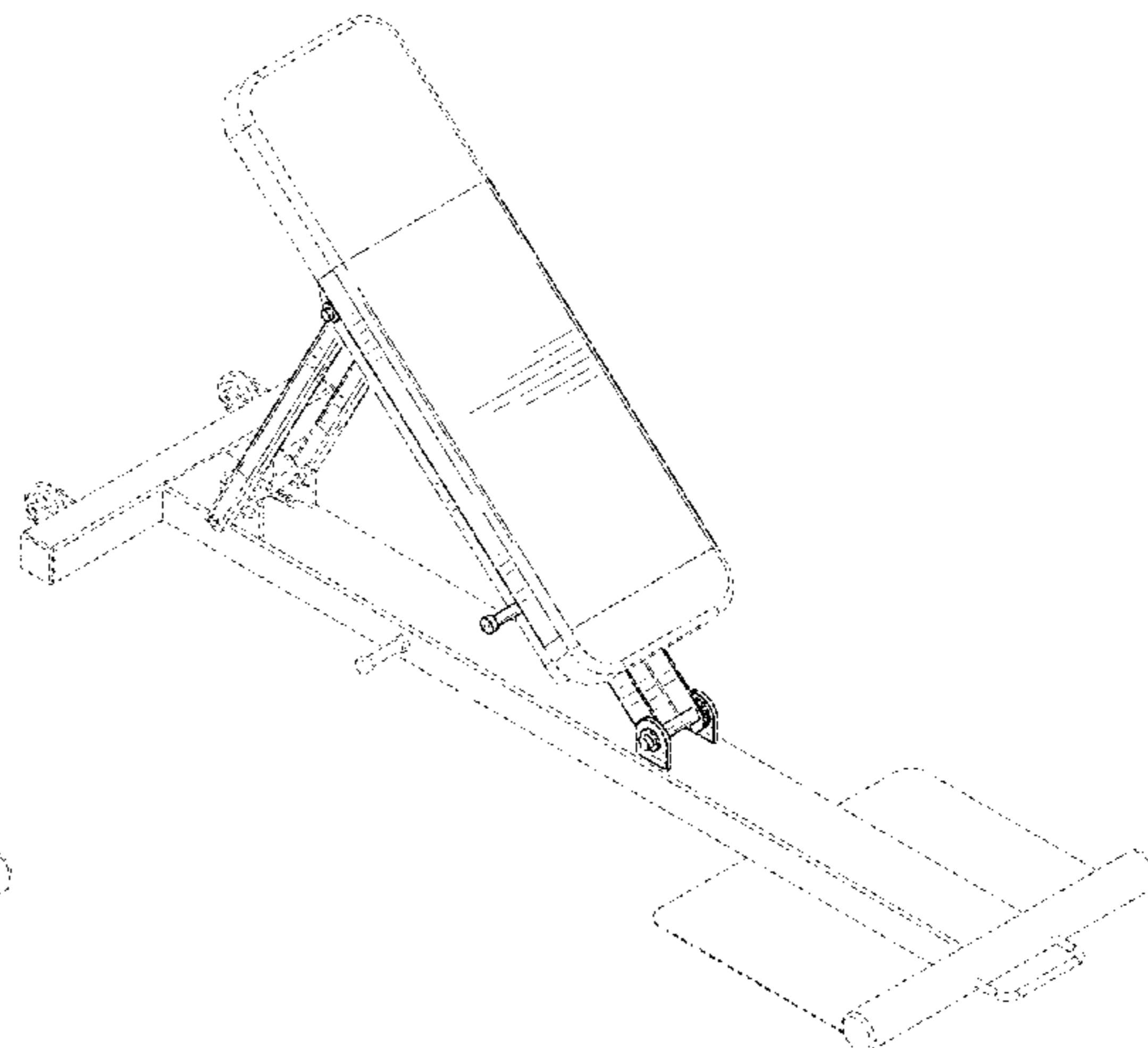
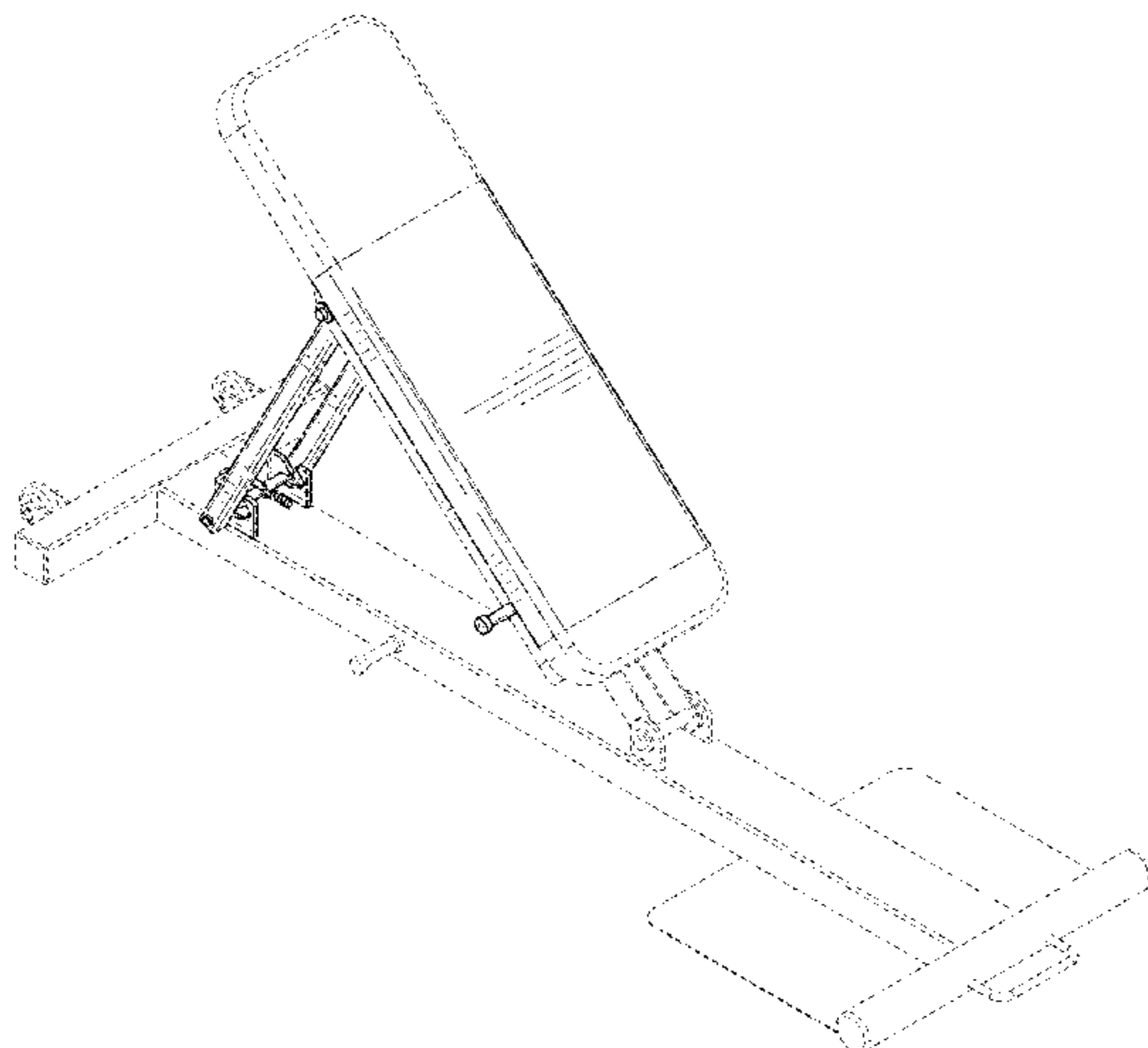


FIG. 22 is a perspective view of a fourth embodiment of an exercise bench for performing gluteal bridge movements in a collapsed position according to a new design.

FIG. 23 is a right-side view of the exercise bench for performing gluteal bridge movements shown in FIG. 22.

FIG. 24 is a left side view of the exercise bench for performing gluteal bridge movements shown in FIG. 22.

FIG. 25 is a front view of the exercise bench for performing gluteal bridge movements shown in FIG. 22.

FIG. 26 is a rear view of the exercise bench for performing gluteal bridge movements shown in FIG. 22.

FIG. 27 is a top view of the exercise bench for performing gluteal bridge movements shown in FIG. 22.

FIG. 28 is a bottom view of the exercise bench for performing gluteal bridge movements shown in FIG. 22.

FIG. 29 is a perspective view of a fifth embodiment of an exercise bench for performing gluteal bridge movements in a flat bench position according to a new design.

FIG. 30 is a right-side view of the exercise bench for performing gluteal bridge movements shown in FIG. 29.

FIG. 31 is a left side view of the exercise bench for performing gluteal bridge movements shown in FIG. 29.

FIG. 32 is a front view of the exercise bench for performing gluteal bridge movements shown in FIG. 29.

FIG. 33 is a rear view of the exercise bench for performing gluteal bridge movements shown in FIG. 29.

FIG. 34 is a top view of the exercise bench for performing gluteal bridge movements shown in FIG. 29.

FIG. 35 is a bottom view of the exercise bench for performing gluteal bridge movements shown in FIG. 29.

FIG. 36 is a perspective view of a sixth embodiment of an exercise bench for performing gluteal bridge movements in a flat bench position according to a new design.

FIG. 37 is a right-side view of the exercise bench for performing gluteal bridge movements shown in FIG. 36.

FIG. 38 is a left side view of the exercise bench for performing gluteal bridge movements shown in FIG. 36.

FIG. 39 is a front view of the exercise bench for performing gluteal bridge movements shown in FIG. 36.

FIG. 40 is a rear view of the exercise bench for performing gluteal bridge movements shown in FIG. 36.

FIG. 41 is a top view of the exercise bench for performing gluteal bridge movements shown in FIG. 36; and,

FIG. 42 is a bottom view of the exercise bench for performing gluteal bridge movements shown in FIG. 36.

In the figures, those portions of the present invention which are presented in dashed broken lines represent the environment of the design only and form no part of the claimed design. Additionally, the dot-dash broken lines represent an unclaimed boundary of the claimed design. Moreover, any shading presented in the accompanying figures is provided merely to highlight the contour of the invention and is not intended to be illustrative of texture, finish or gloss of the claimed design.

1 Claim, 36 Drawing Sheets

(56)

References Cited

U.S. PATENT DOCUMENTS

D378,933	S *	4/1997	Johansson	D21/676
5,637,059	A *	6/1997	Dalebout	A63B 21/4029 482/52
5,938,571	A *	8/1999	Stevens	A63B 21/154 482/142
6,692,412	B2 *	2/2004	Chen	A63B 21/0622 482/96
D491,987	S *	6/2004	Harley	D21/690
7,112,167	B2 *	9/2006	Kim	A61H 1/0218 482/145
9,554,953	B2 *	1/2017	Dirauf	A61G 7/08
D812,158	S *	3/2018	Campanaro	D21/690
D812,159	S *	3/2018	Campanaro	D21/690
D820,362	S *	6/2018	Citterio	D21/687
D933,764	S *	10/2021	Modeste	D21/690
2008/0161173	A1 *	7/2008	Campanaro	A63B 23/03575 482/133
2014/0194260	A1 *	7/2014	Campanaro	A63B 21/0628 482/131
2015/0246263	A1 *	9/2015	Campanaro	A63B 23/0211 482/52

* cited by examiner

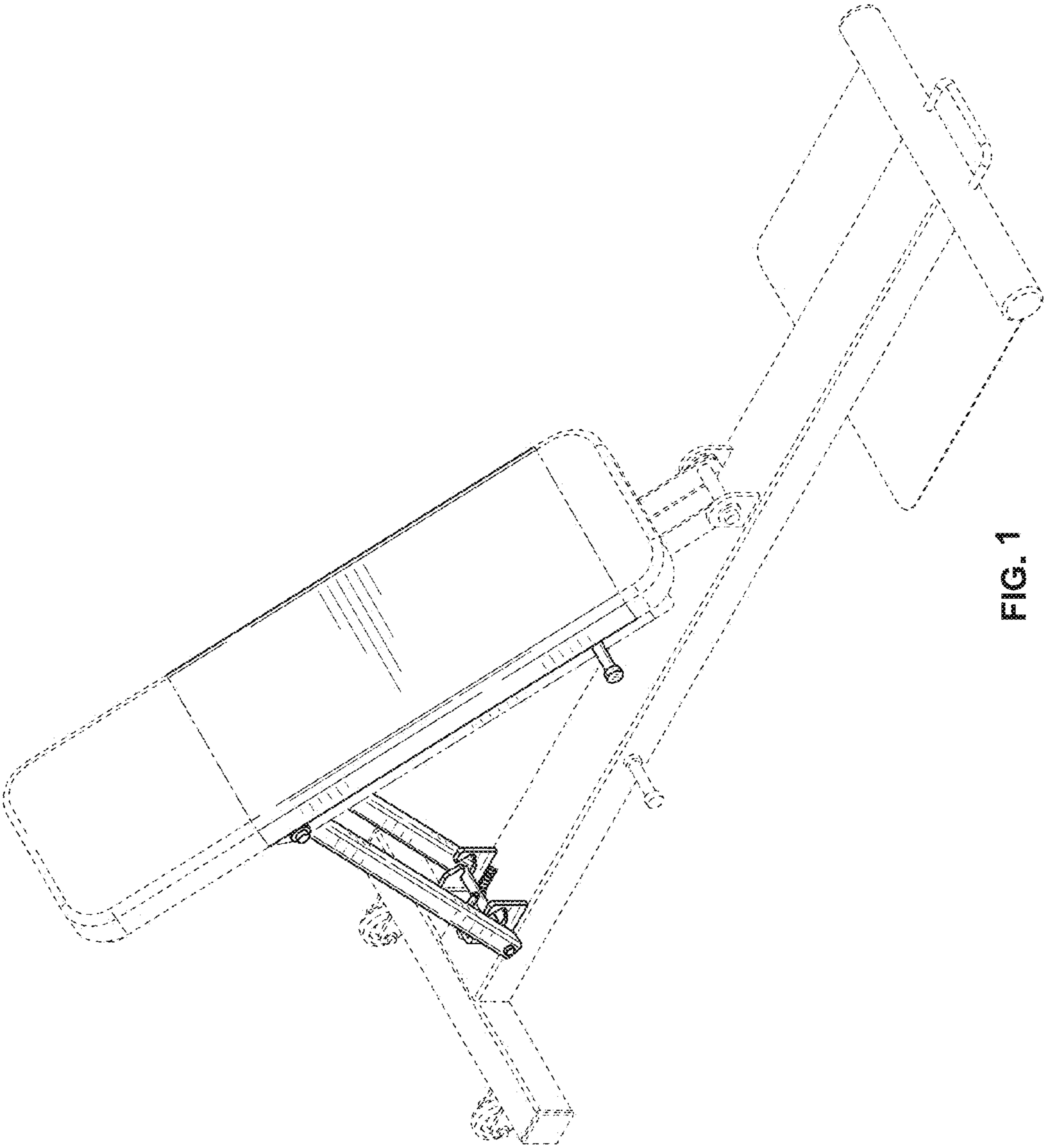


FIG. 1

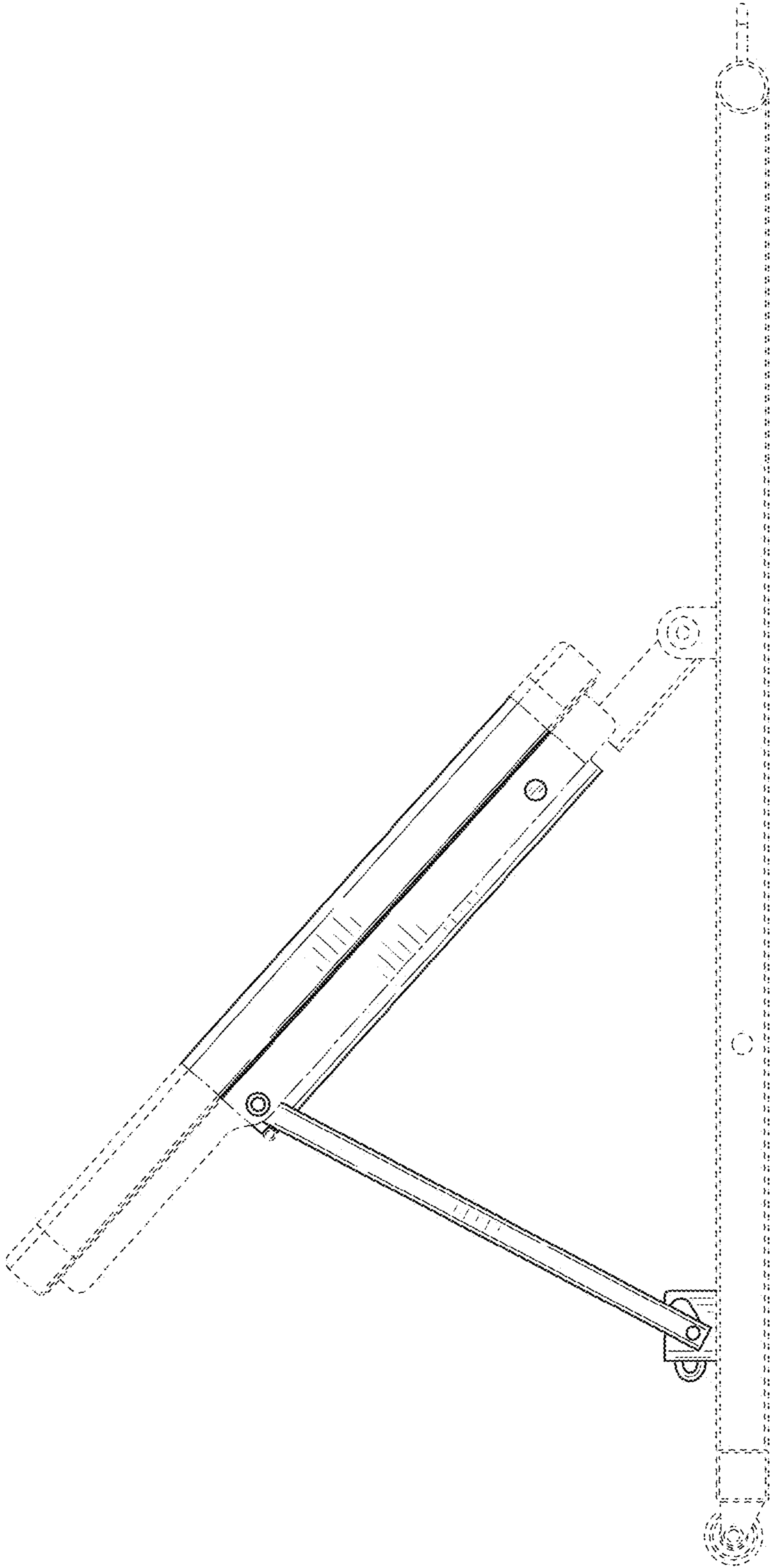


FIG. 2

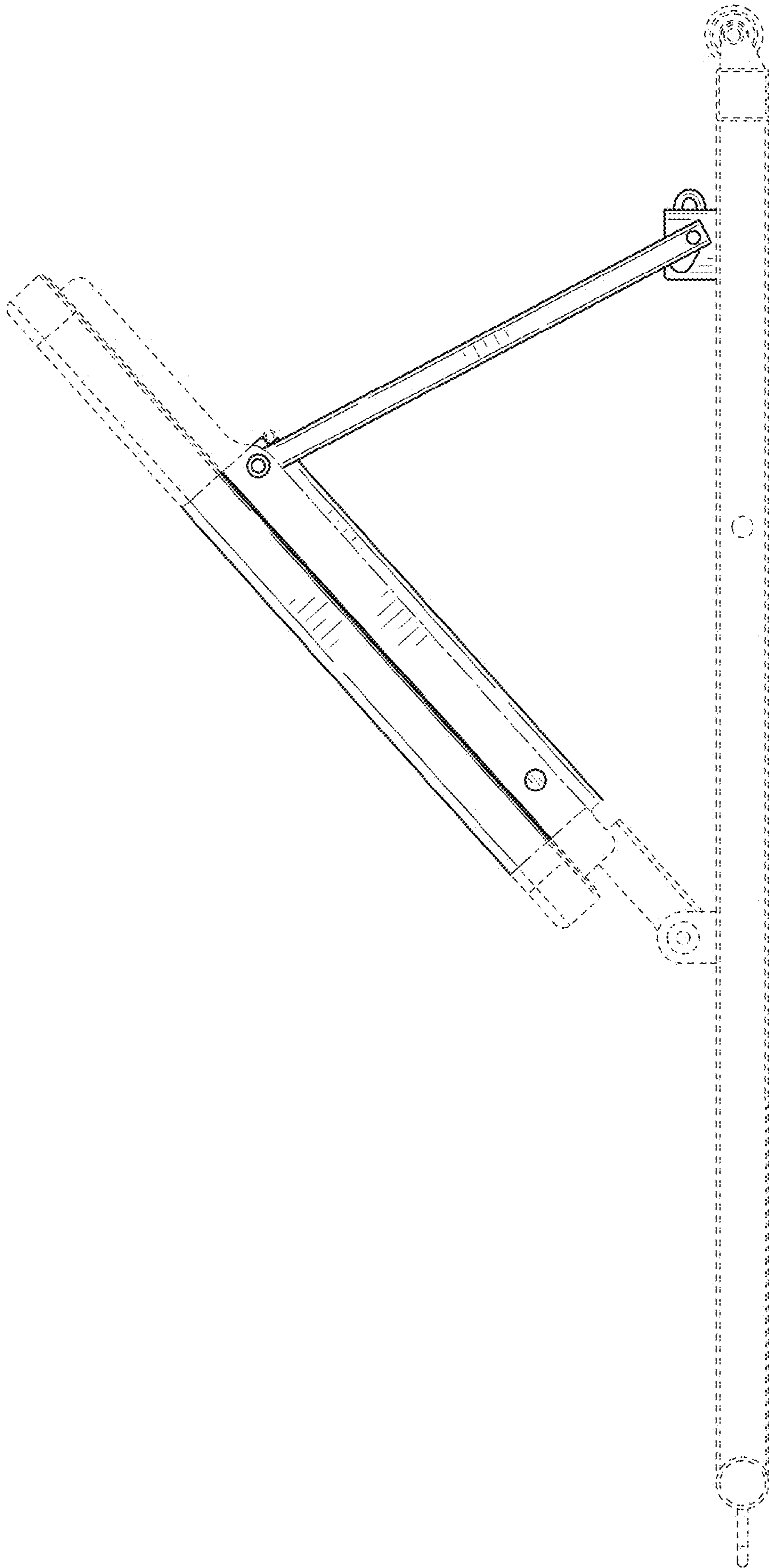


FIG. 3

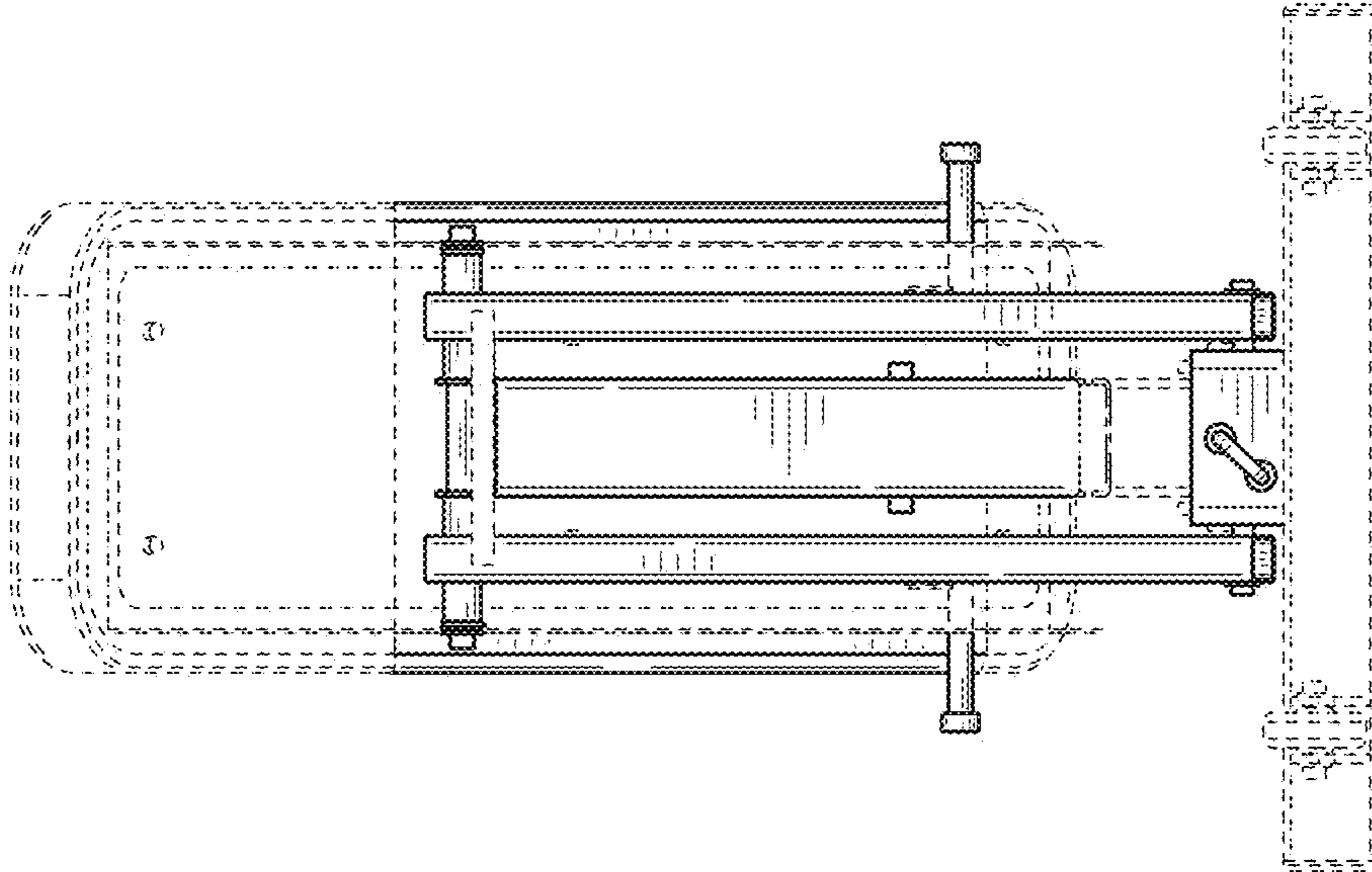


FIG. 5

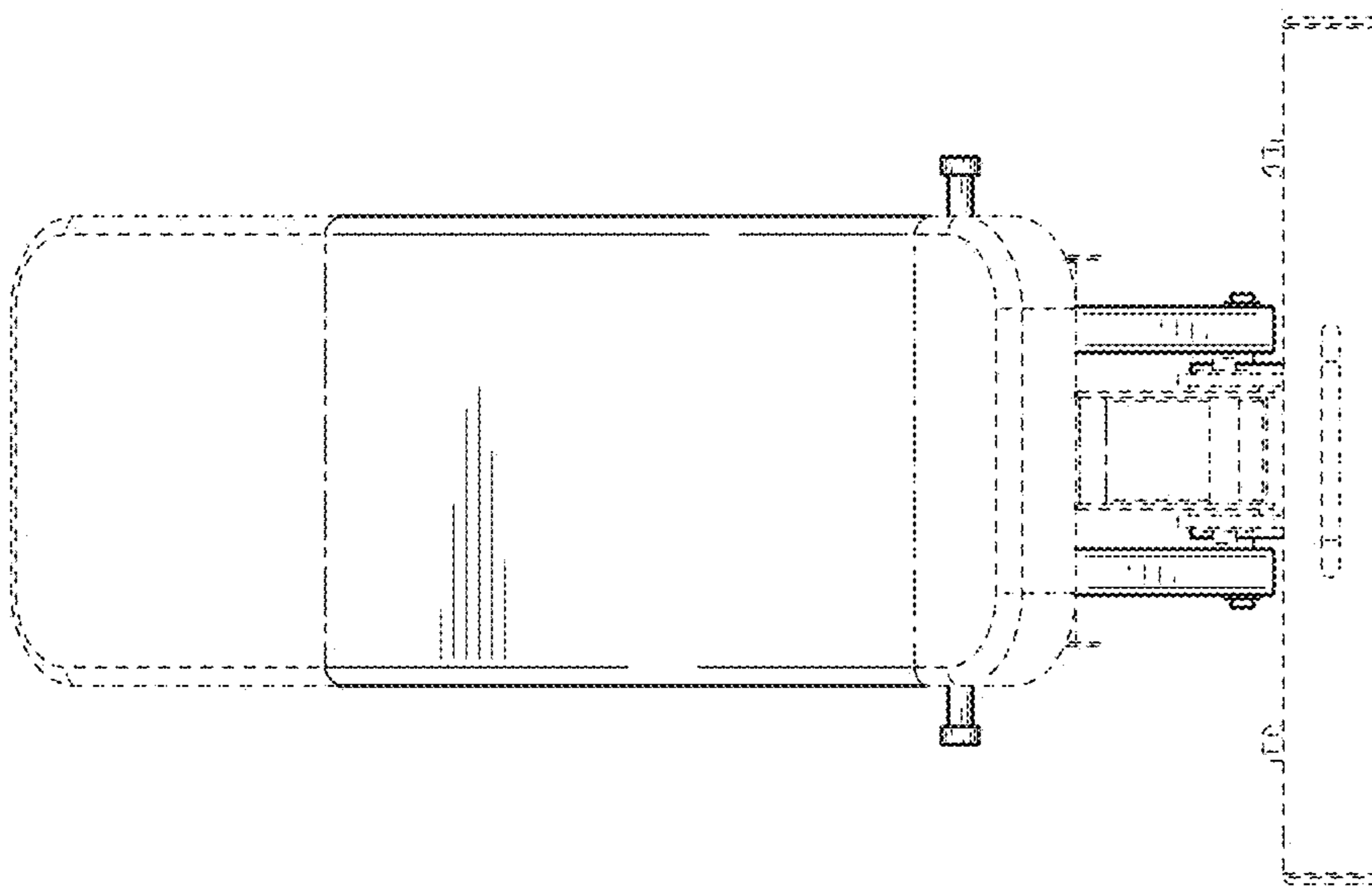


FIG. 4

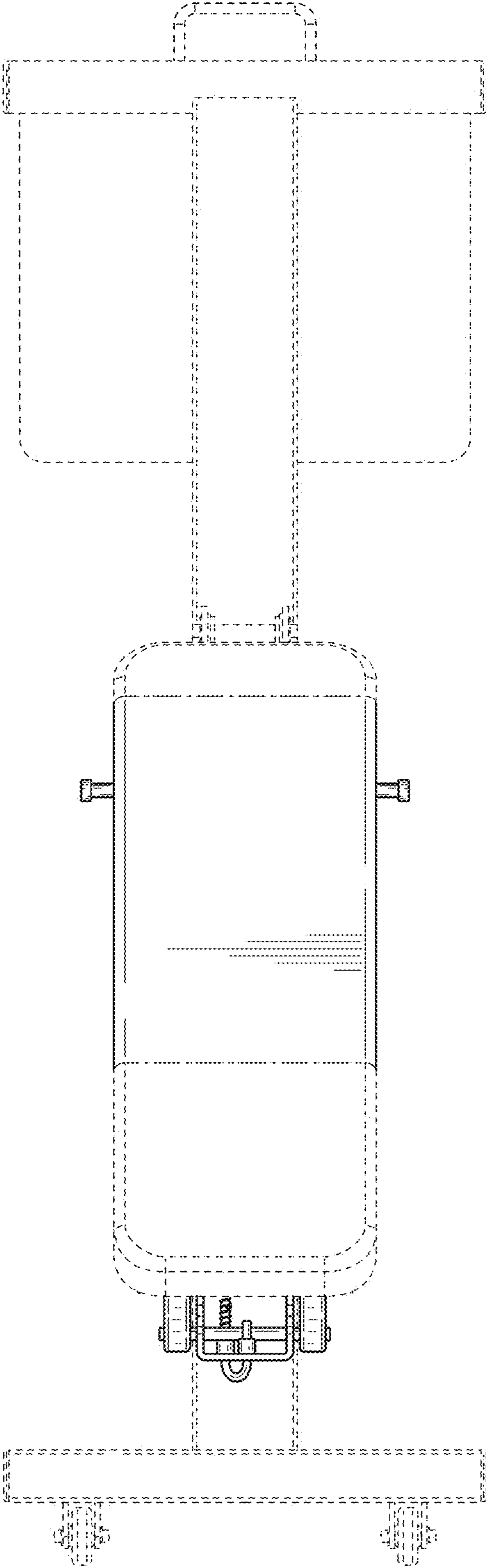


FIG. 6

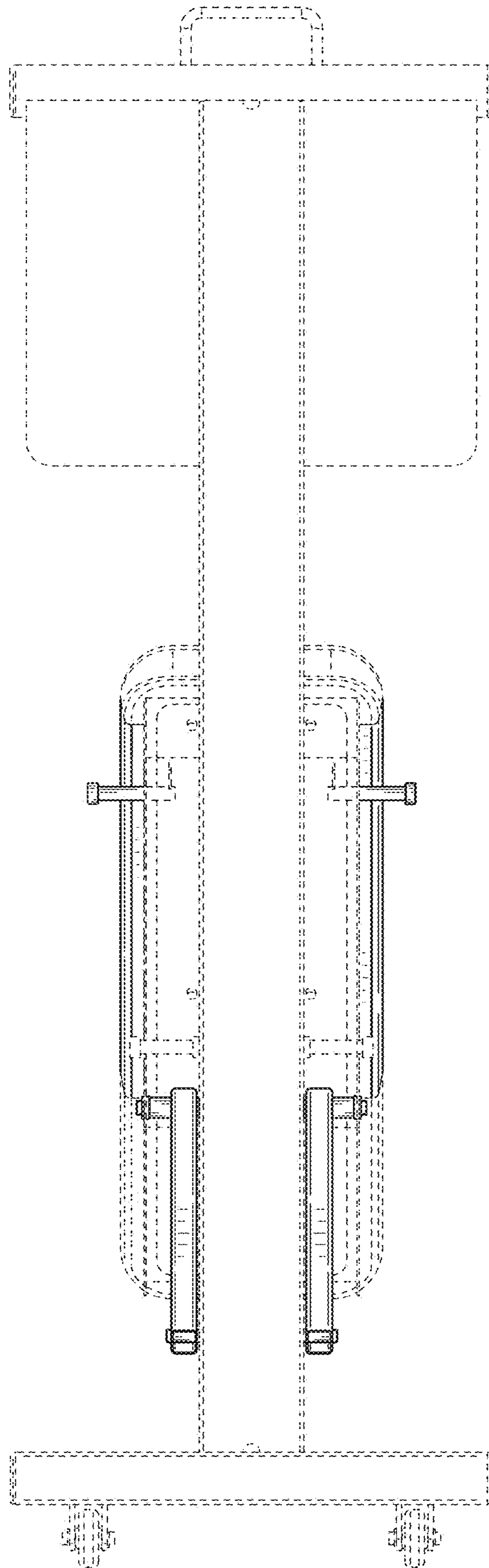


FIG. 7

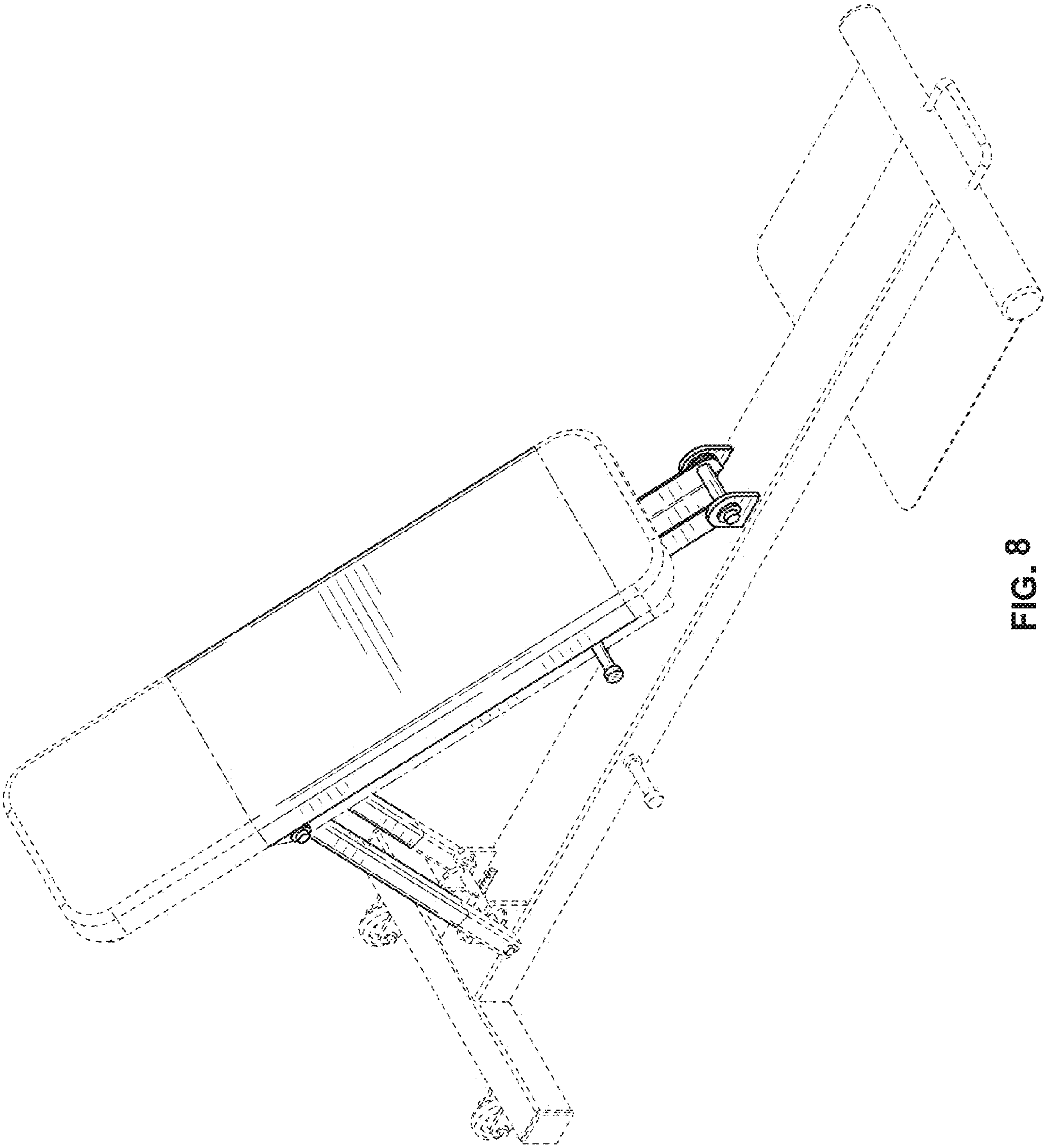


FIG. 8

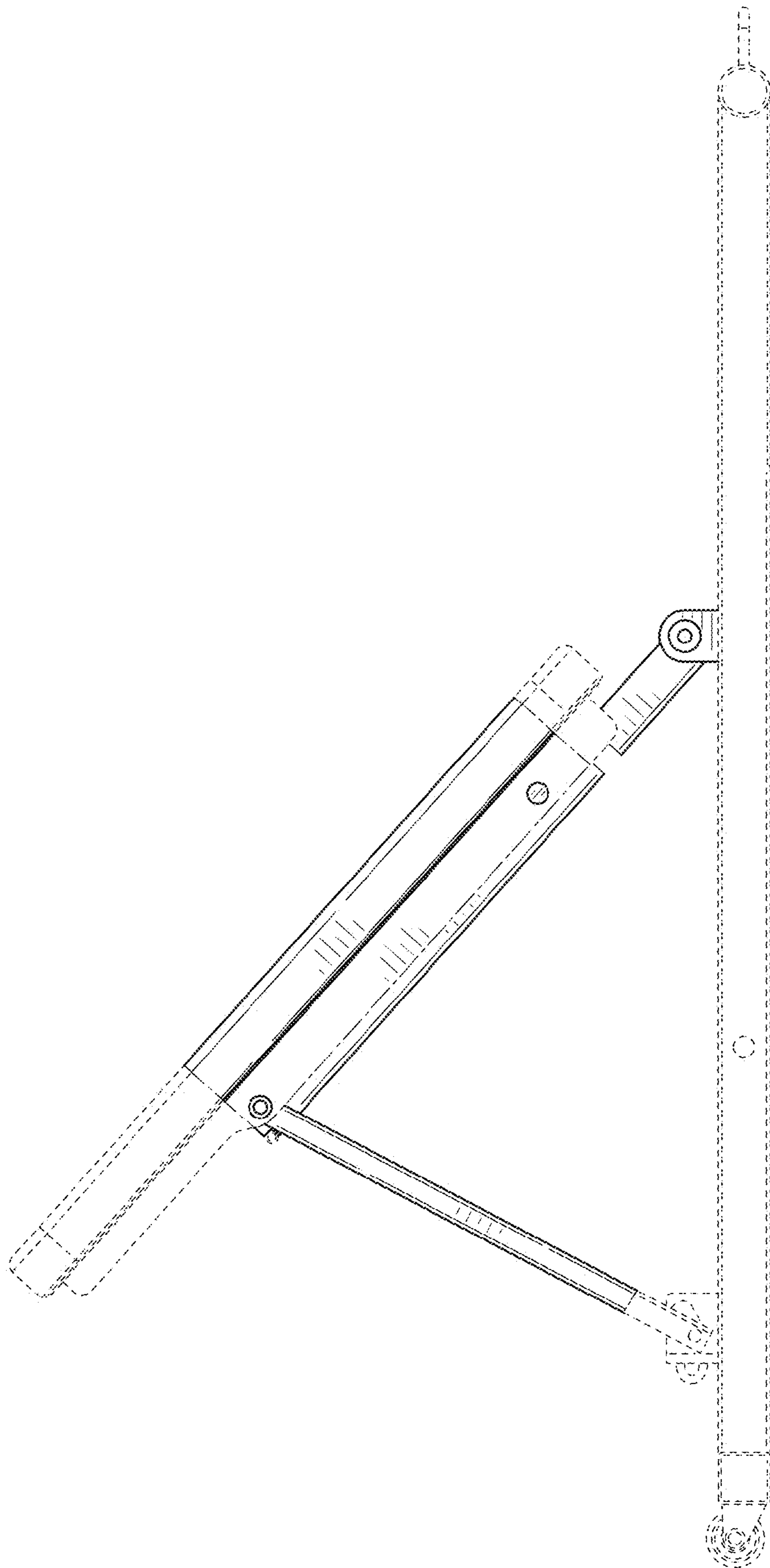


FIG. 9

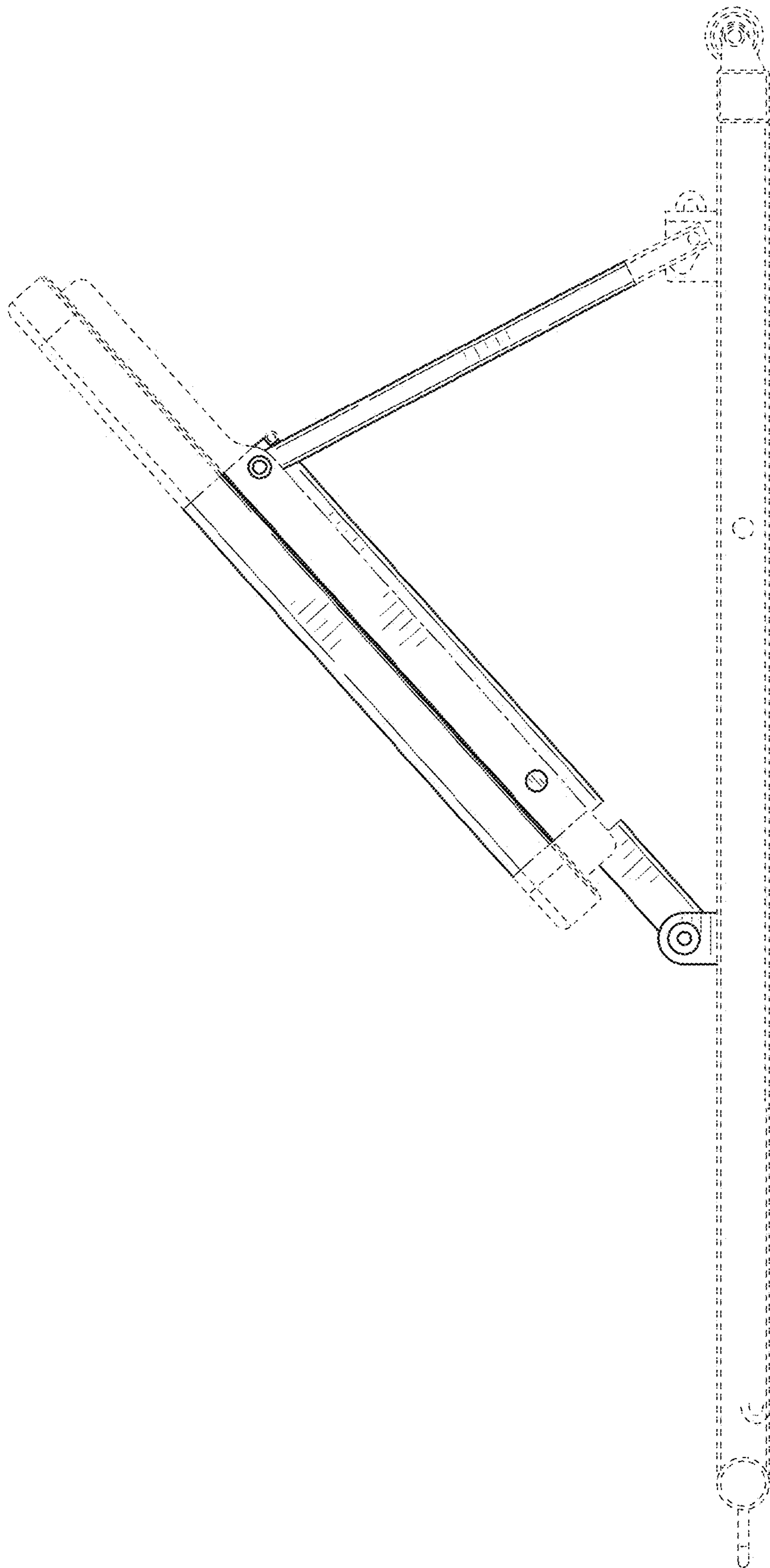


FIG. 10

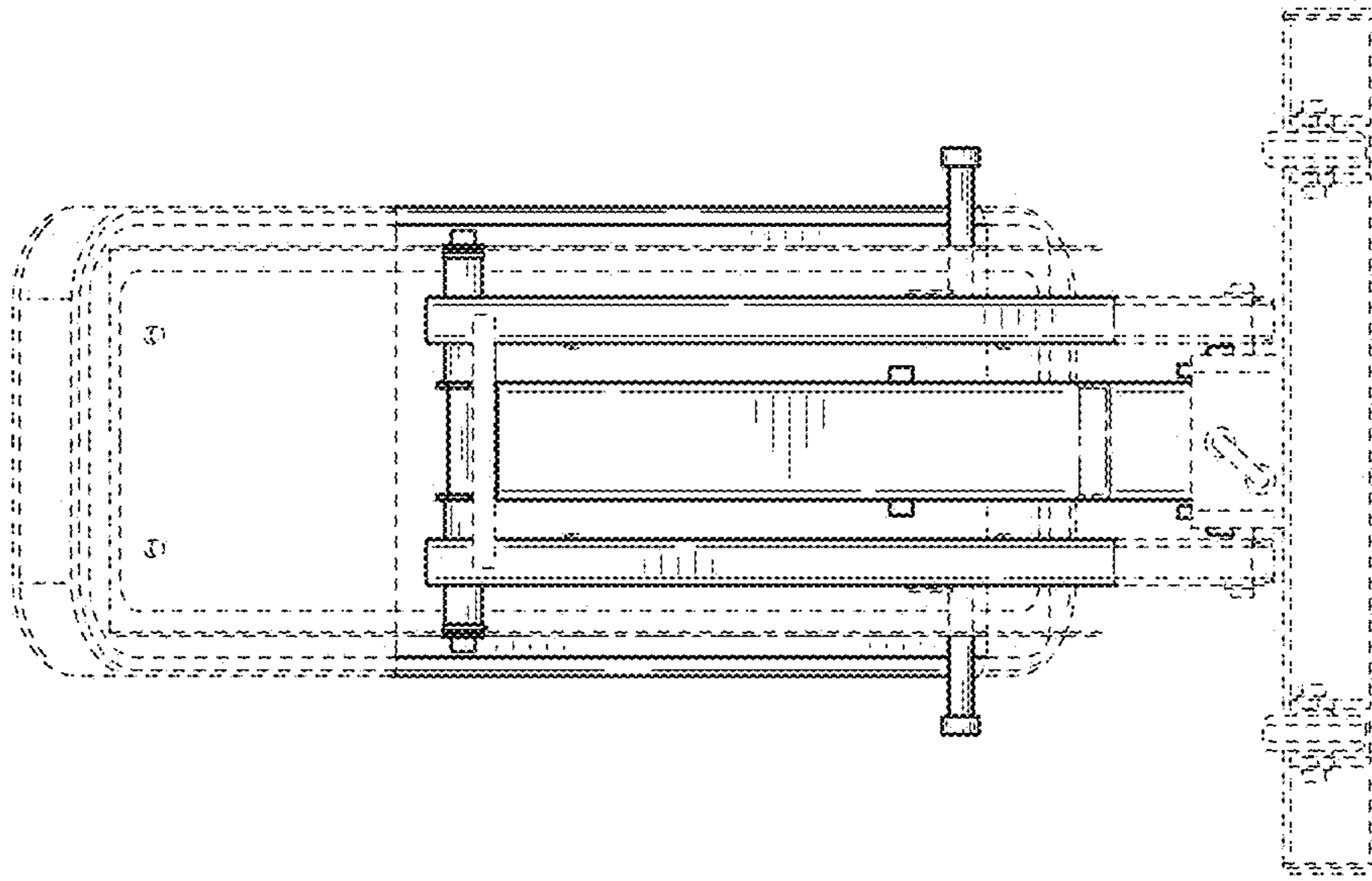


FIG. 11

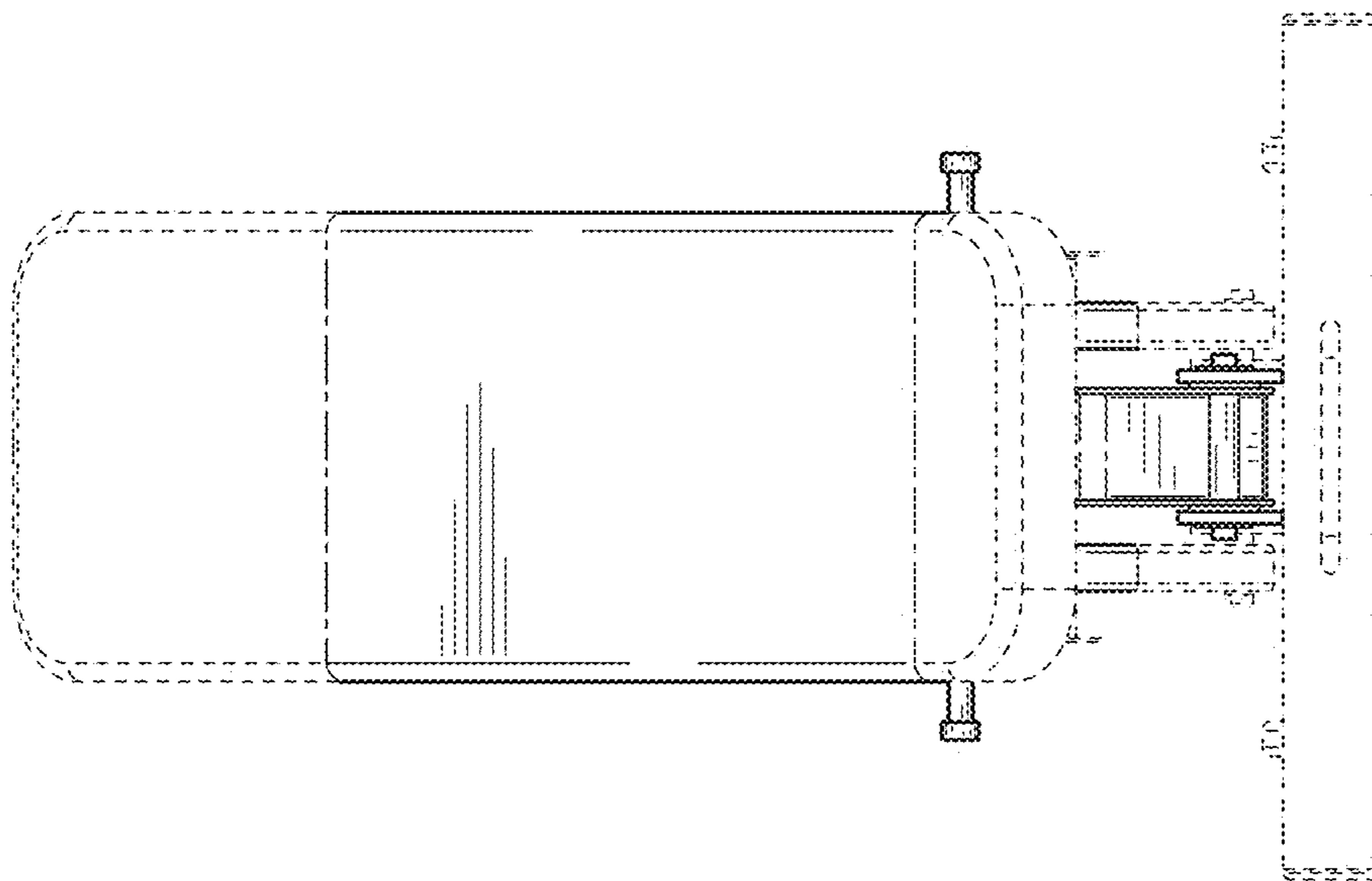


FIG. 12

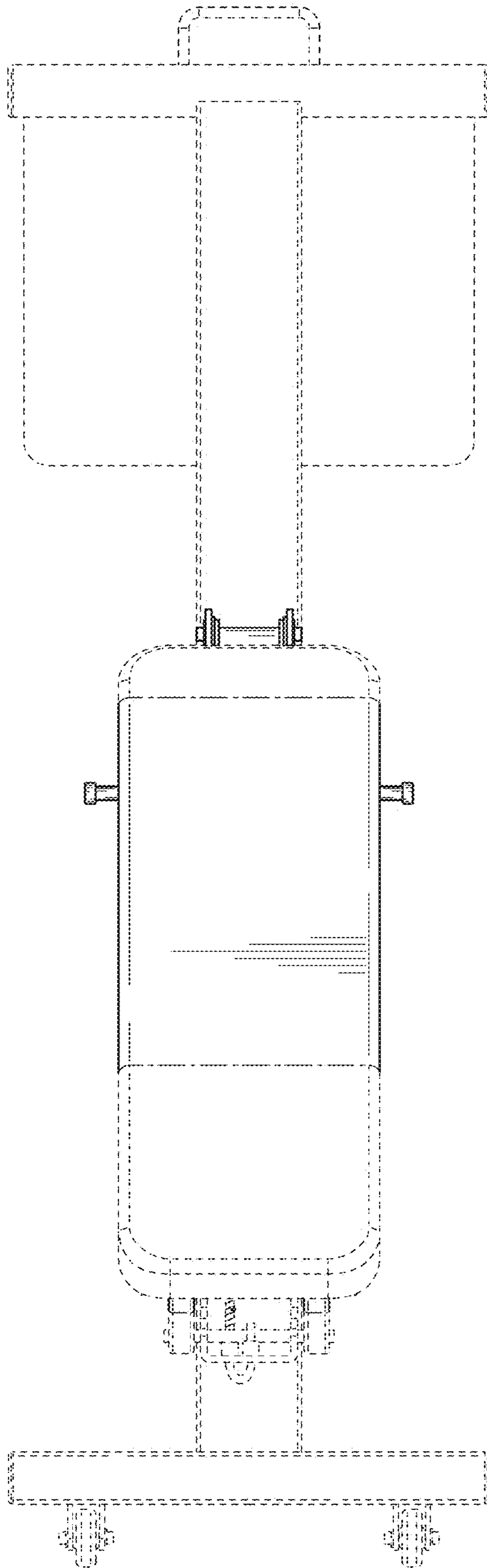


FIG. 13

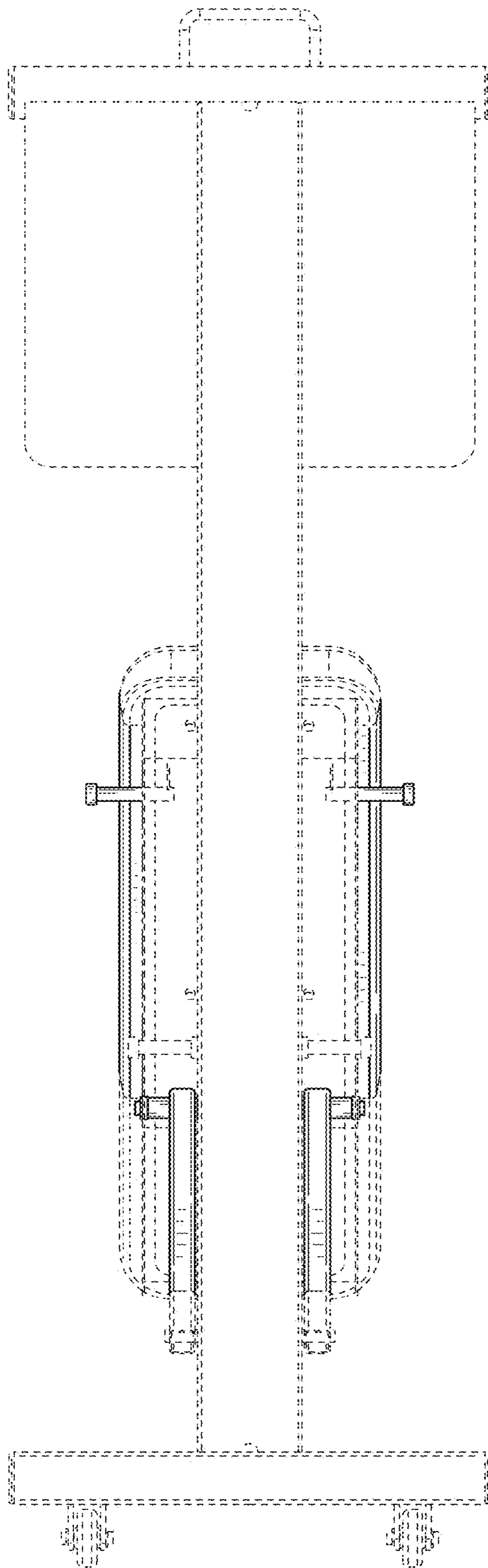


FIG. 14

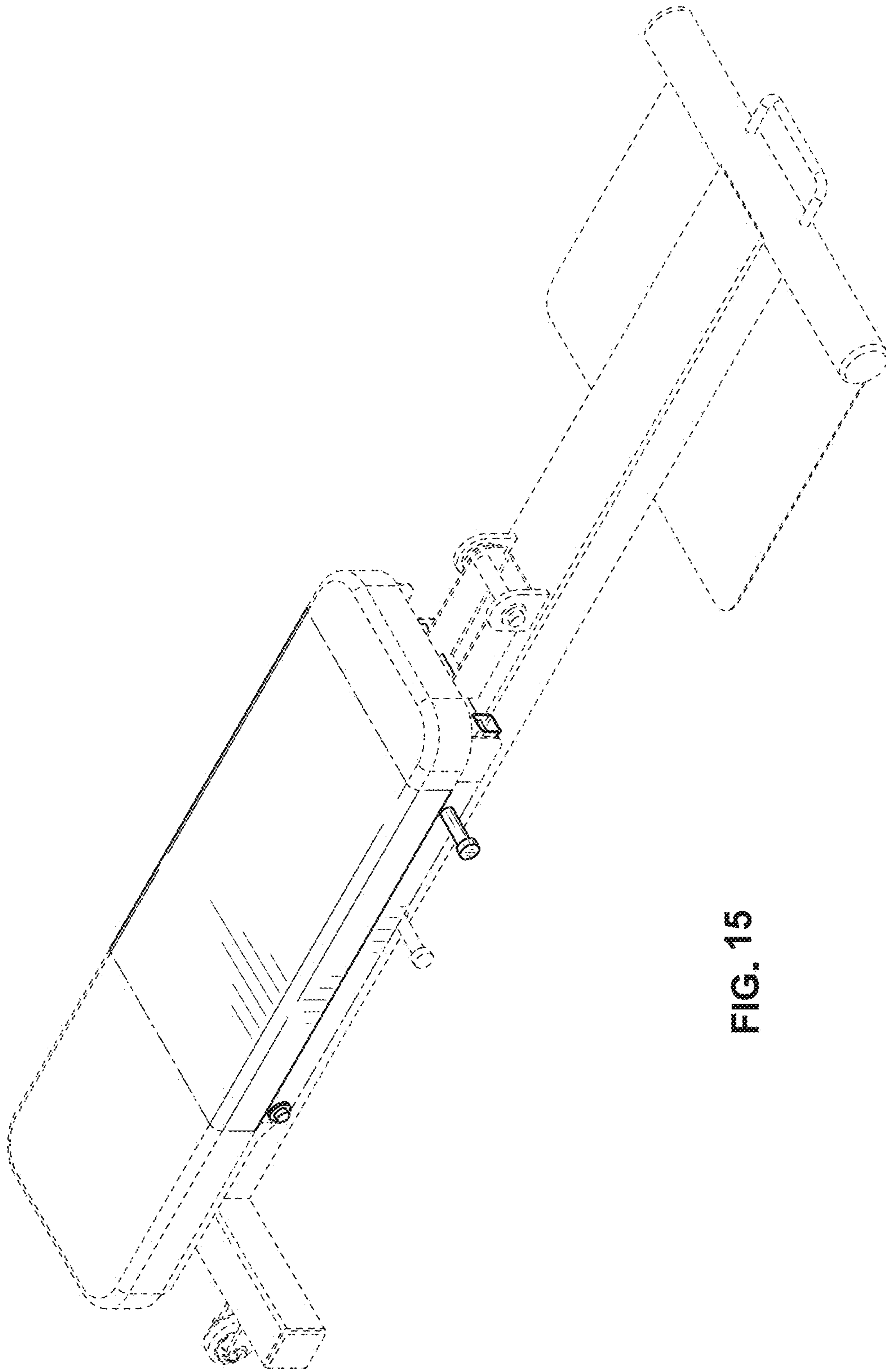


FIG. 15

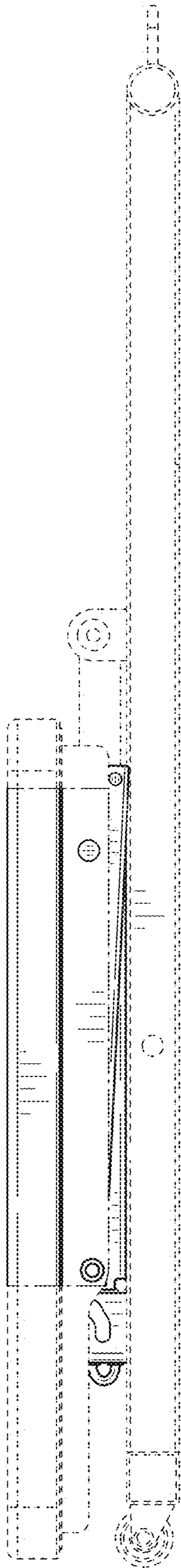


FIG. 16

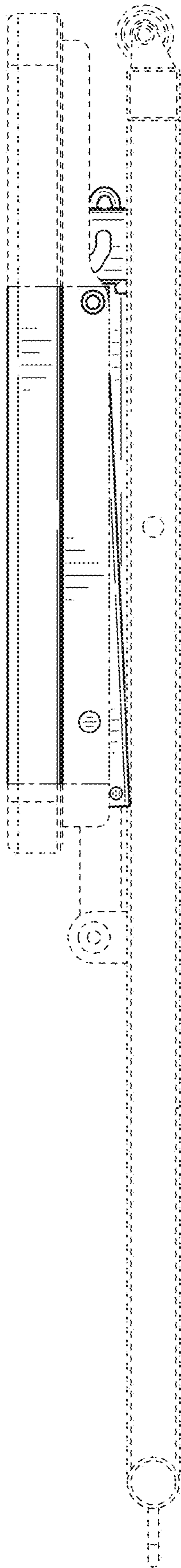


FIG. 17

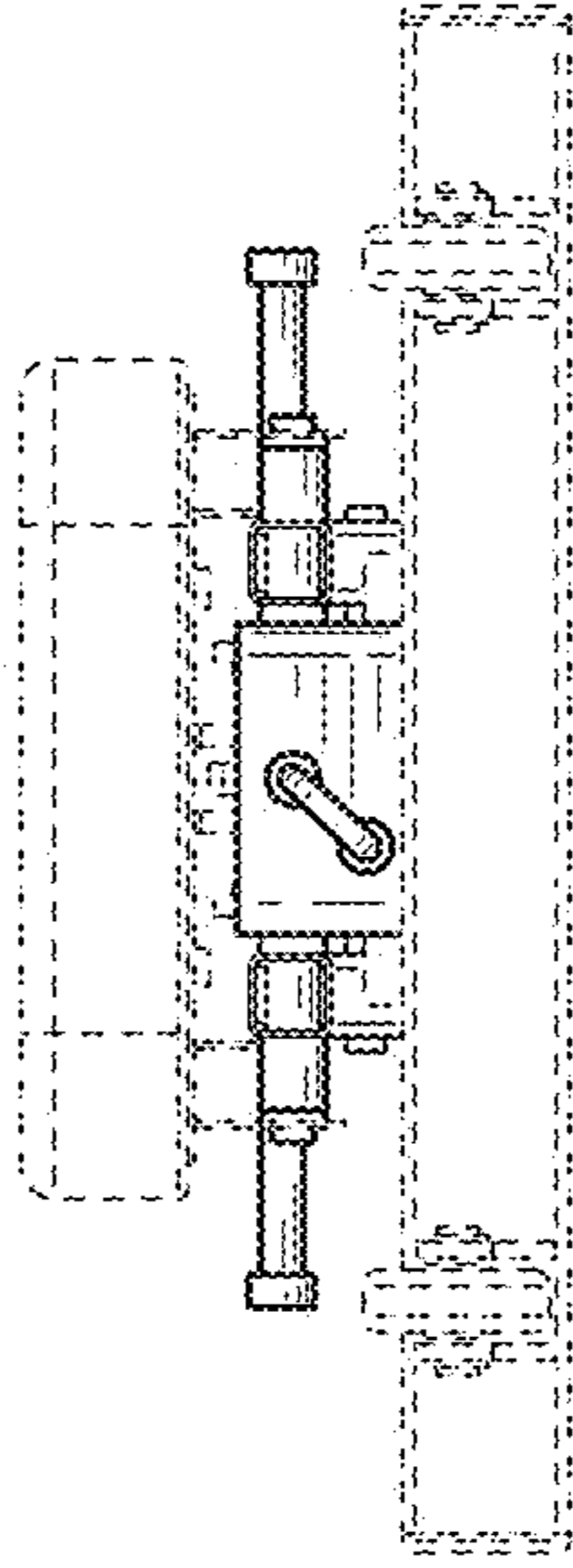


FIG. 18

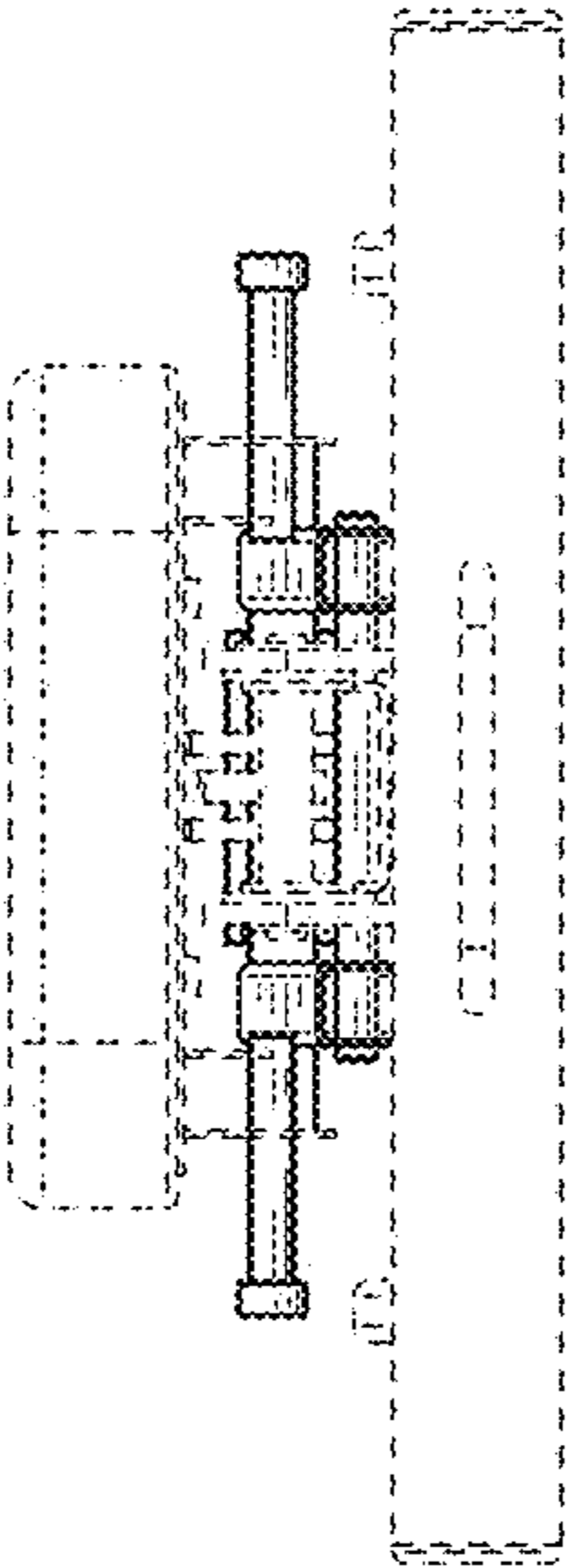


FIG. 19

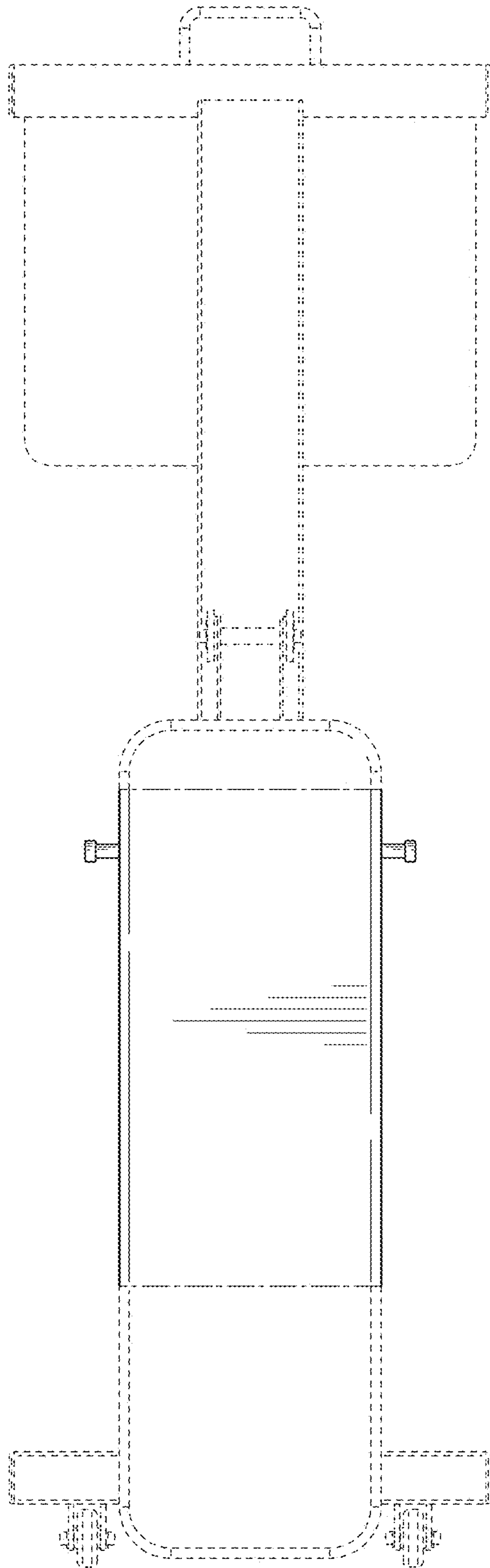


FIG. 20

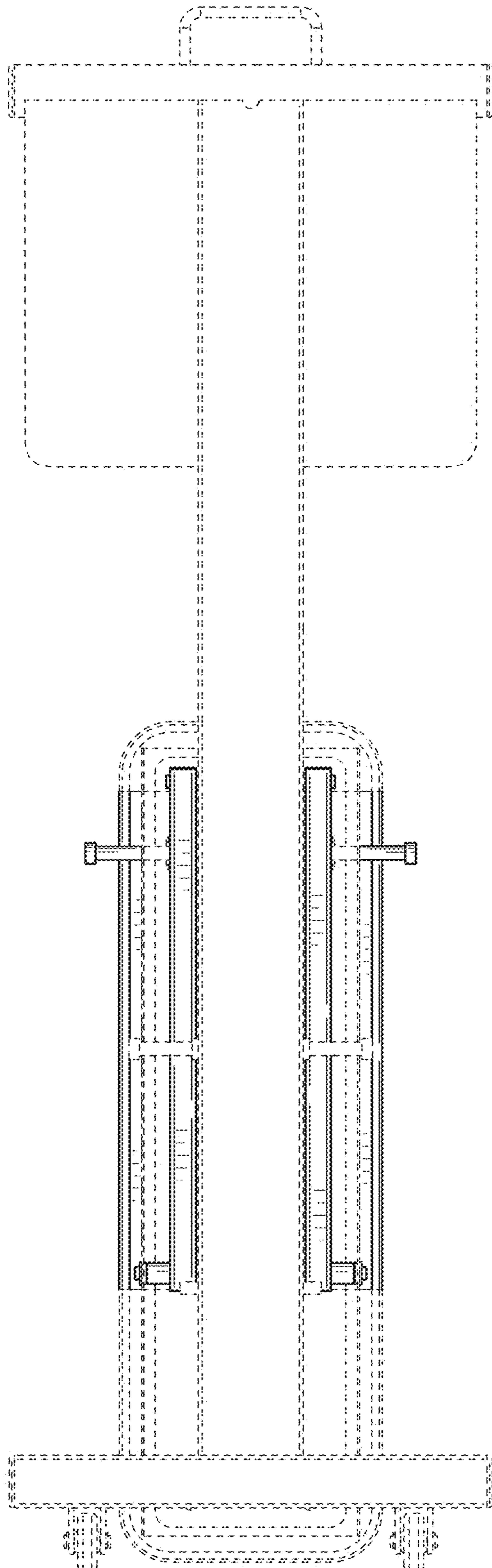


FIG. 21

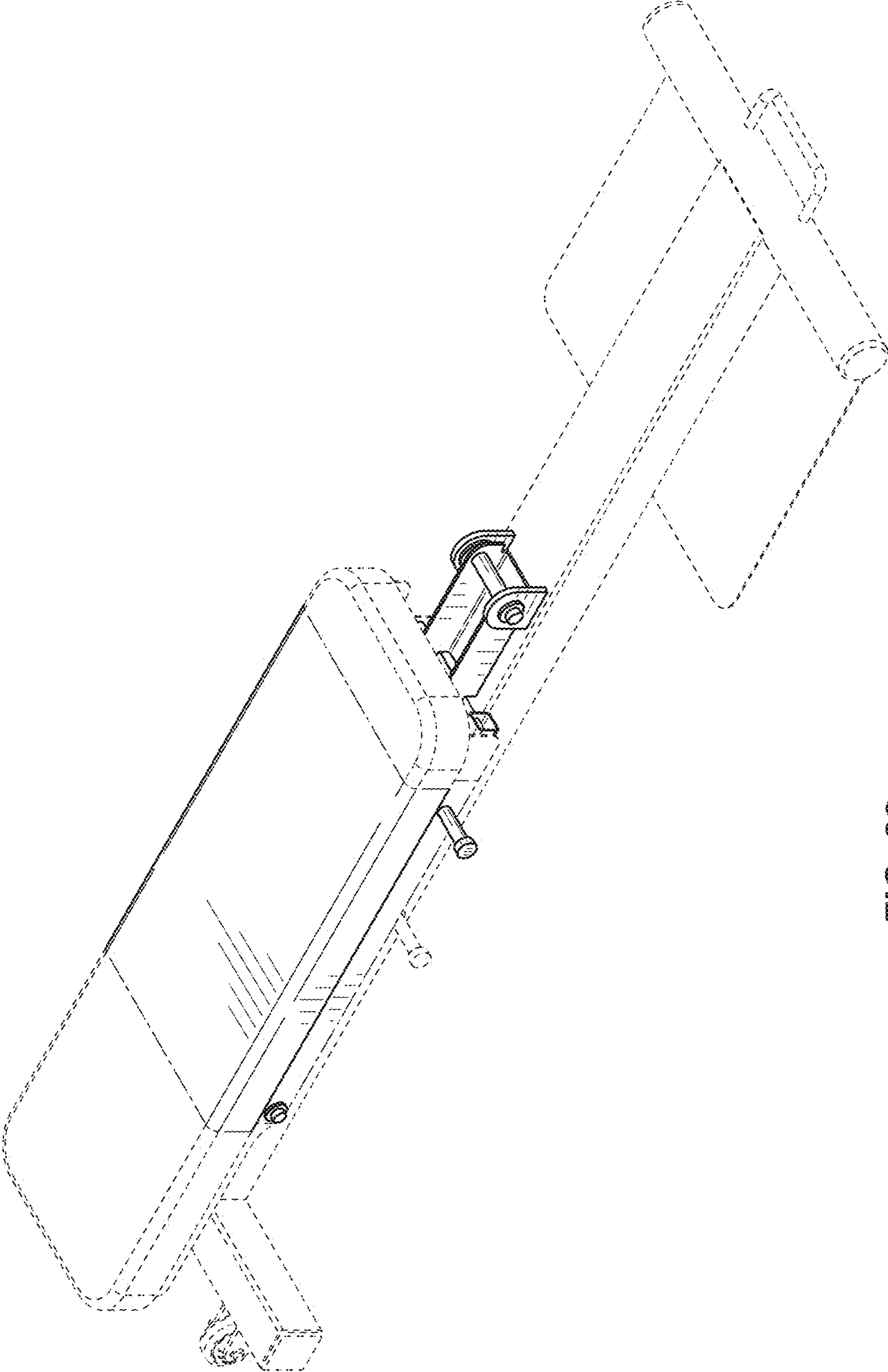


FIG. 22

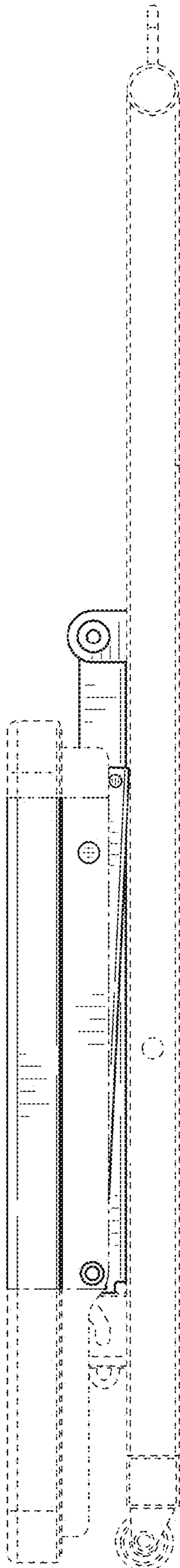


FIG. 23

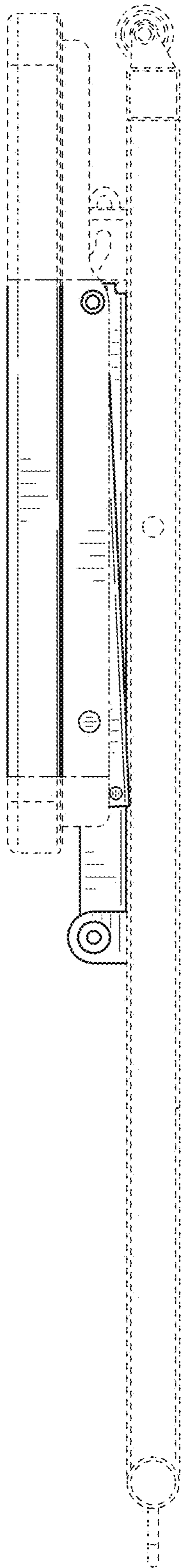


FIG. 24

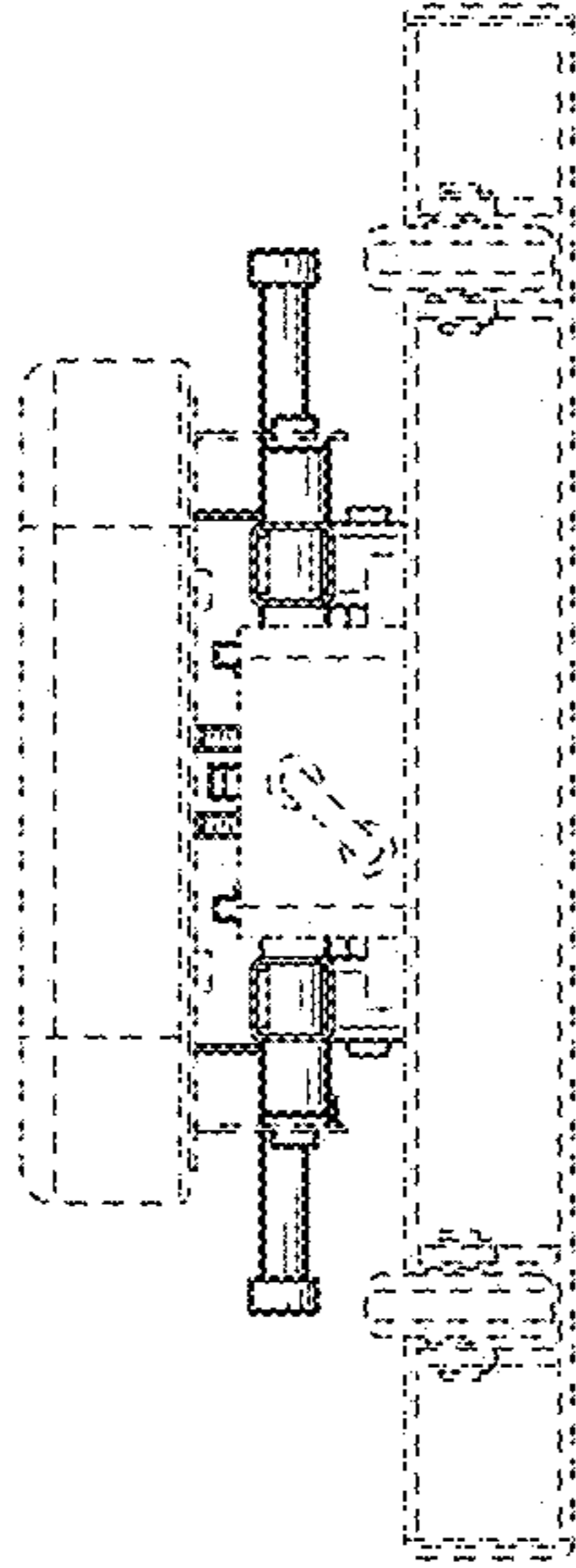


FIG. 25

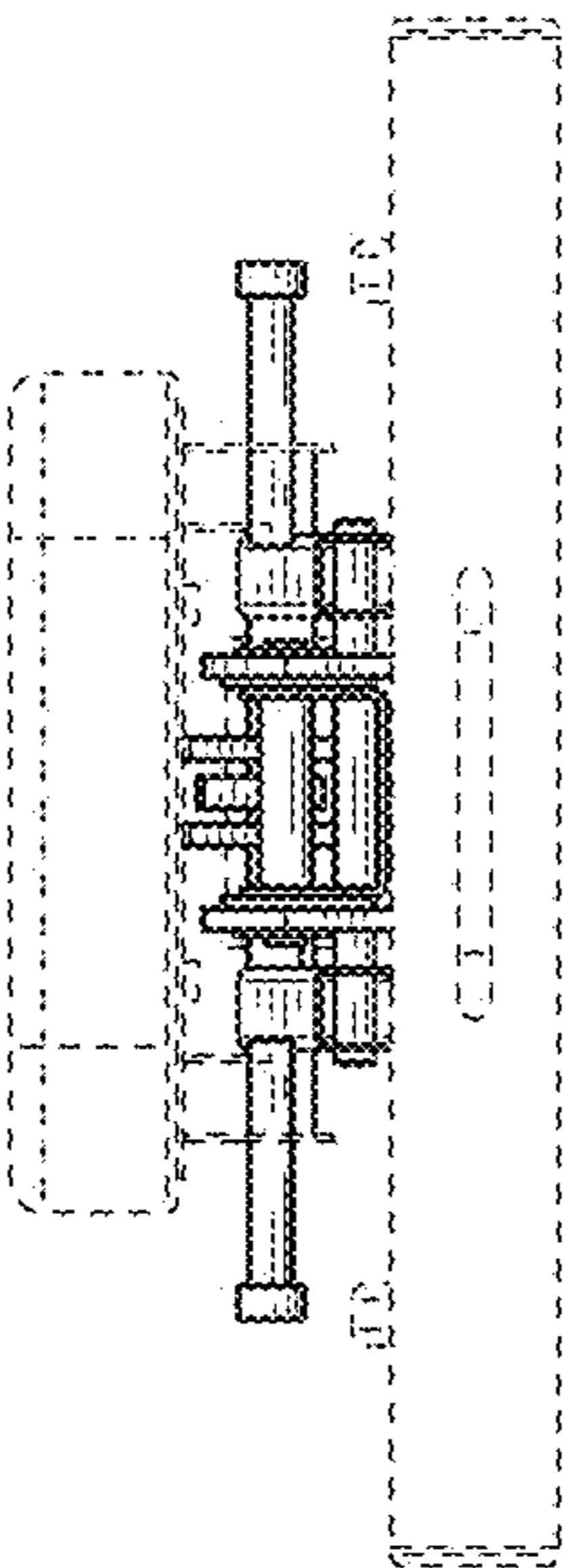


FIG. 26

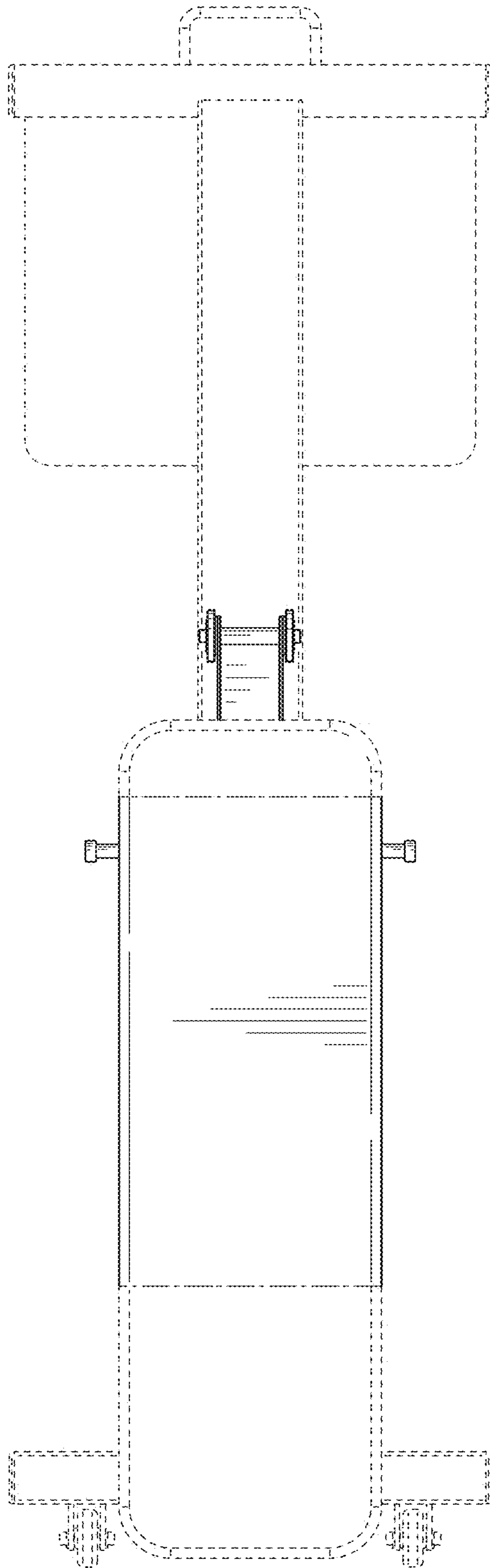


FIG. 27

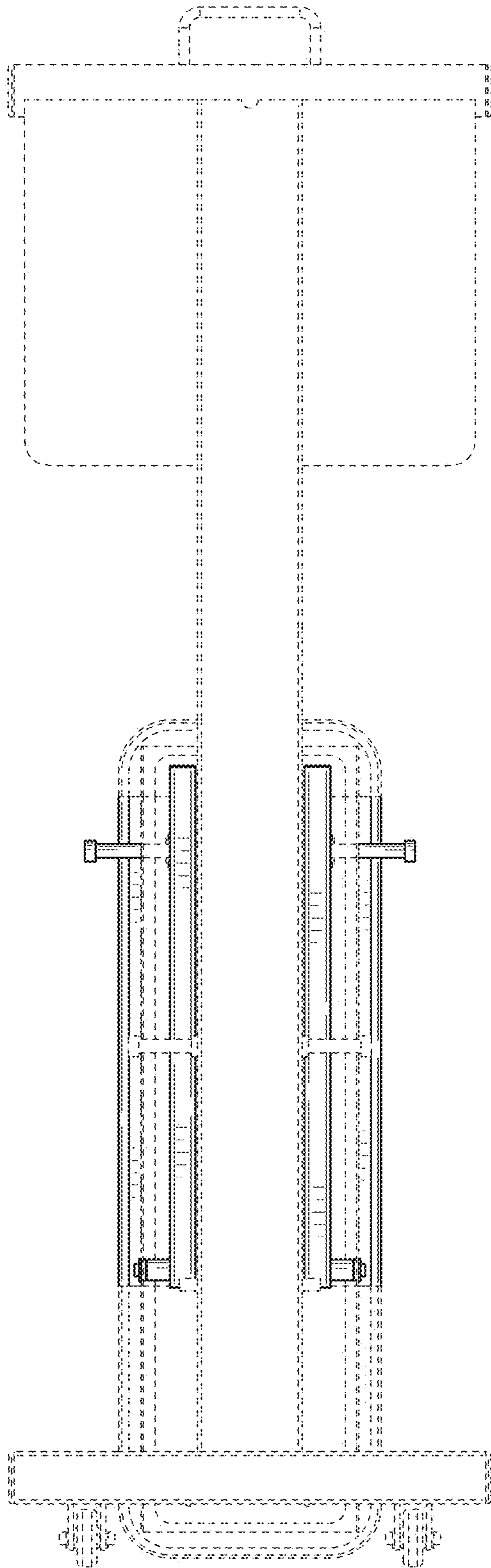


FIG. 28

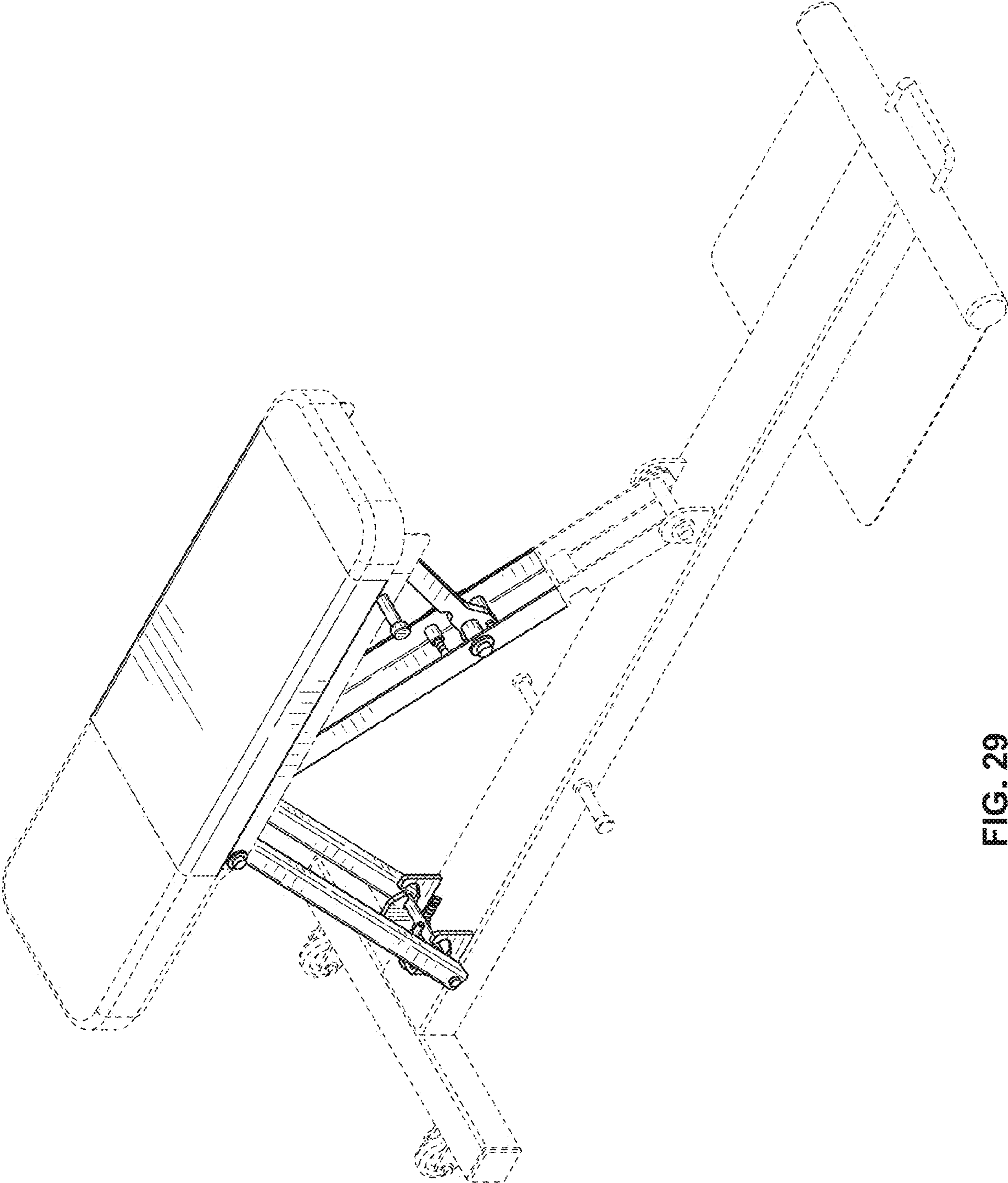


FIG. 29

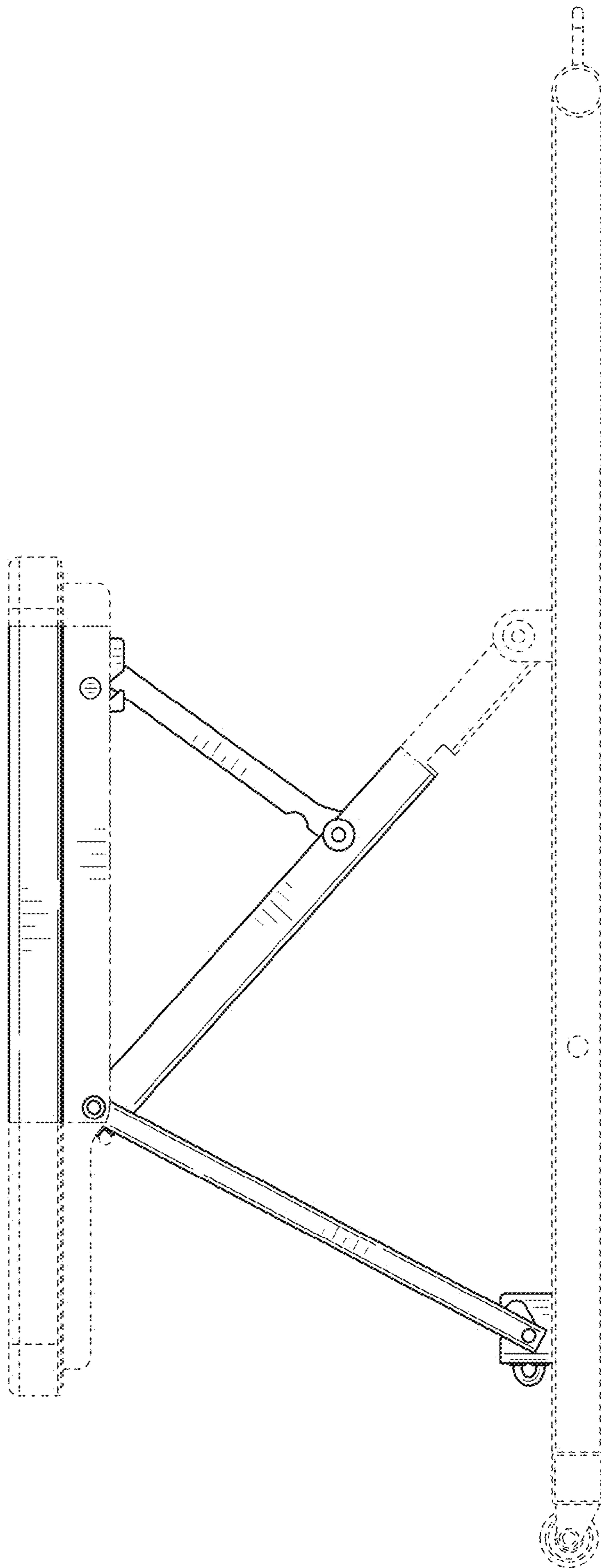


FIG. 30

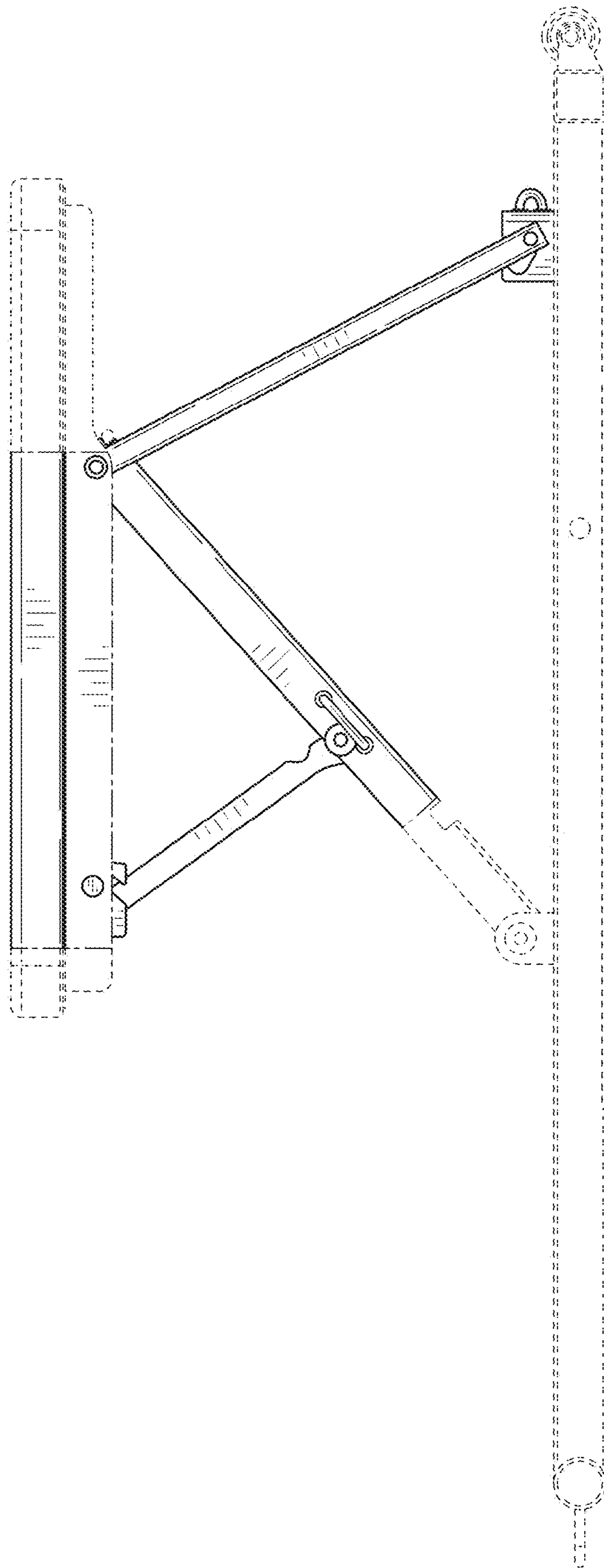


FIG. 31

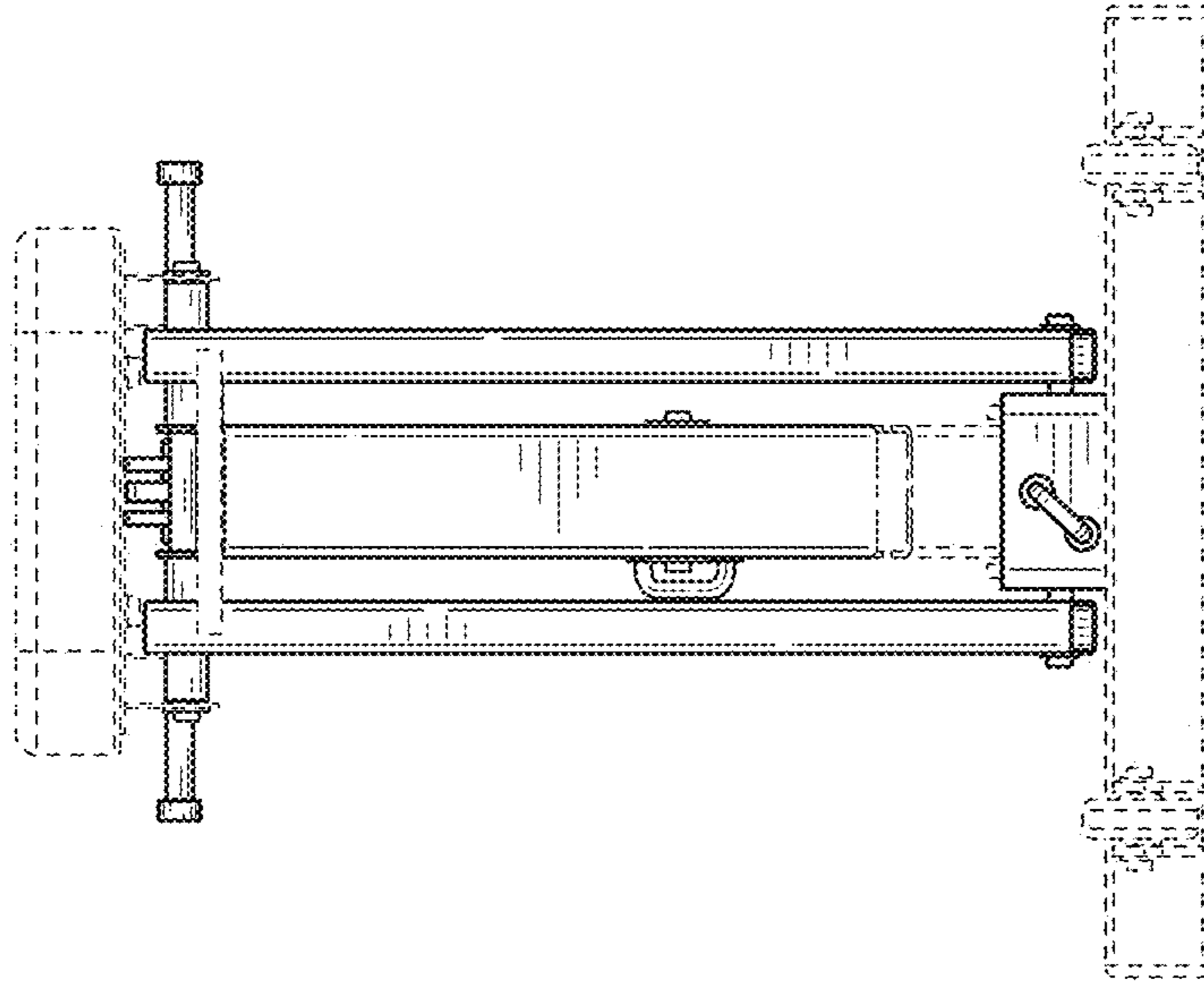


FIG. 32

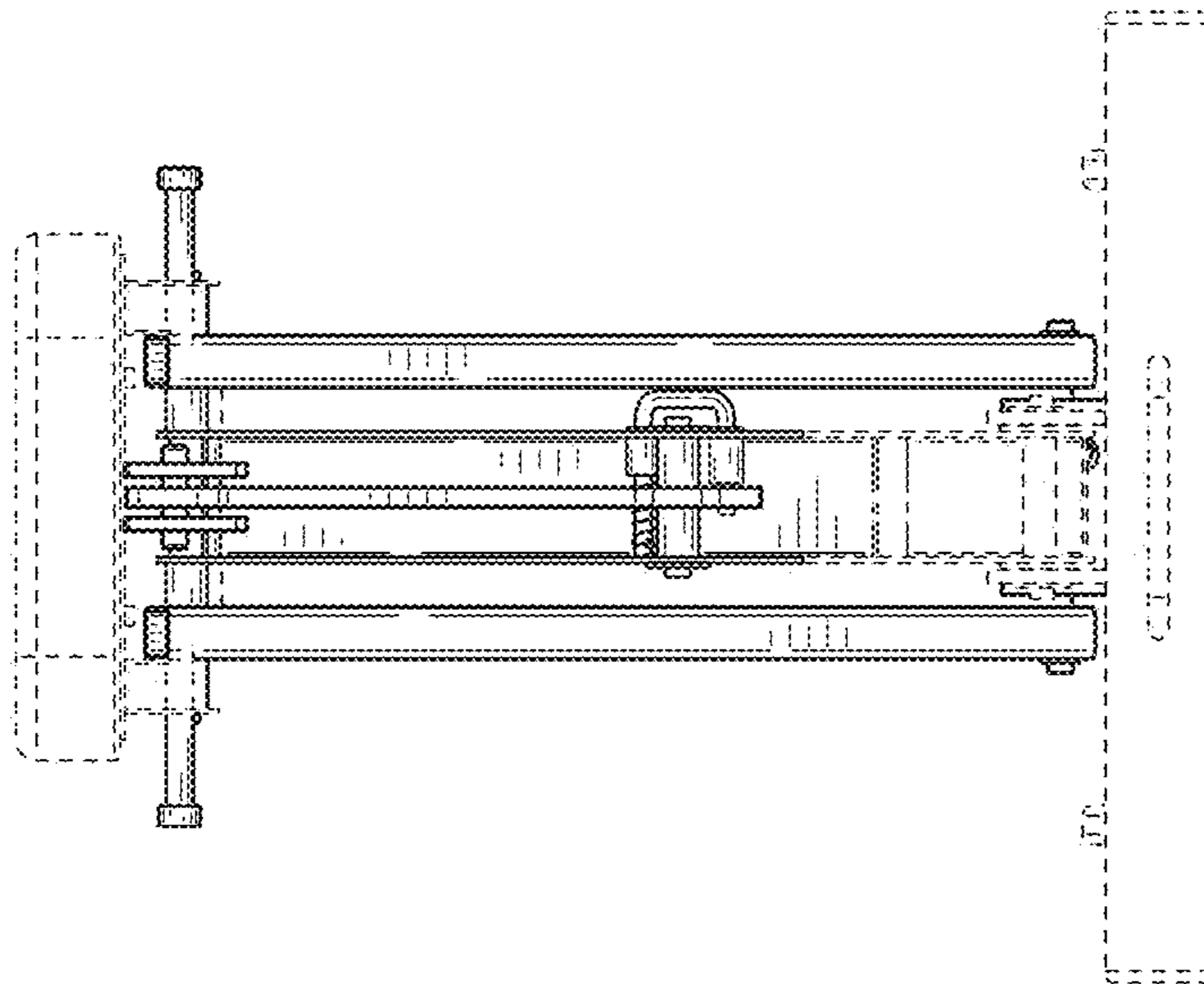


FIG. 33

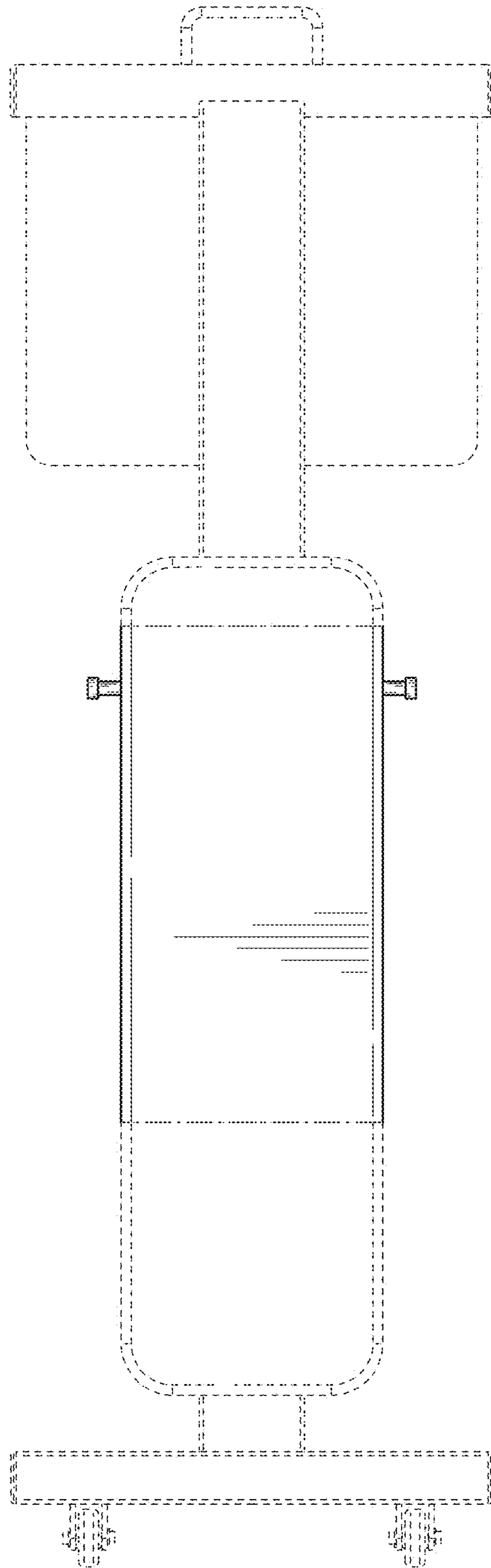


FIG. 34

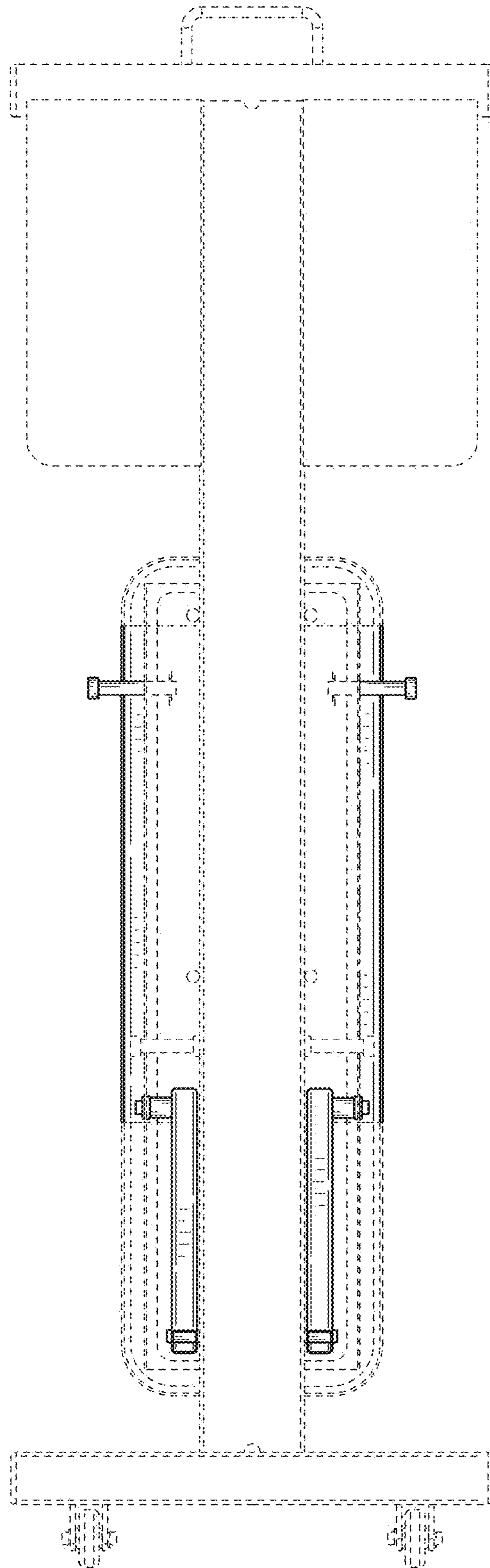


FIG. 35

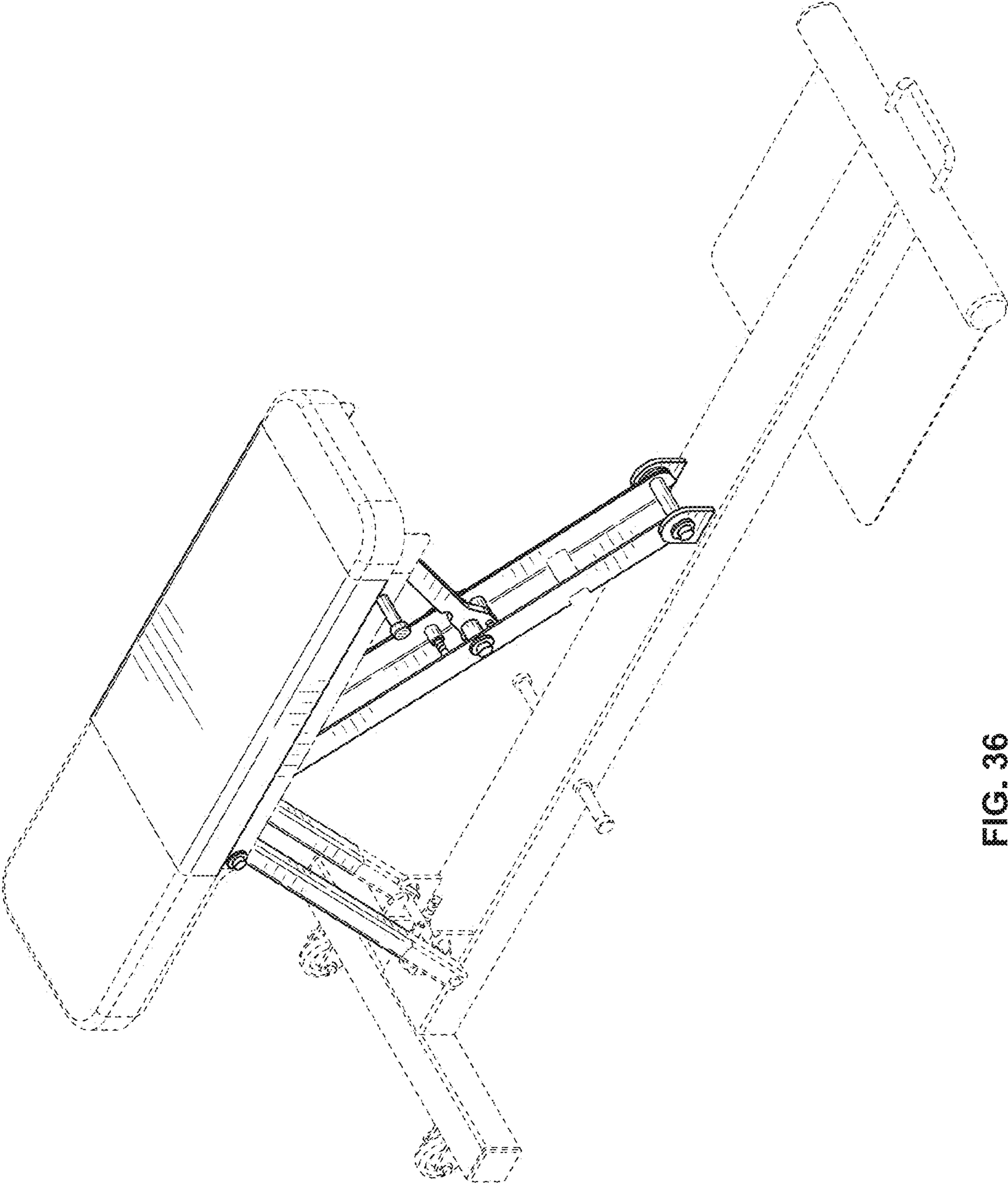


FIG. 36

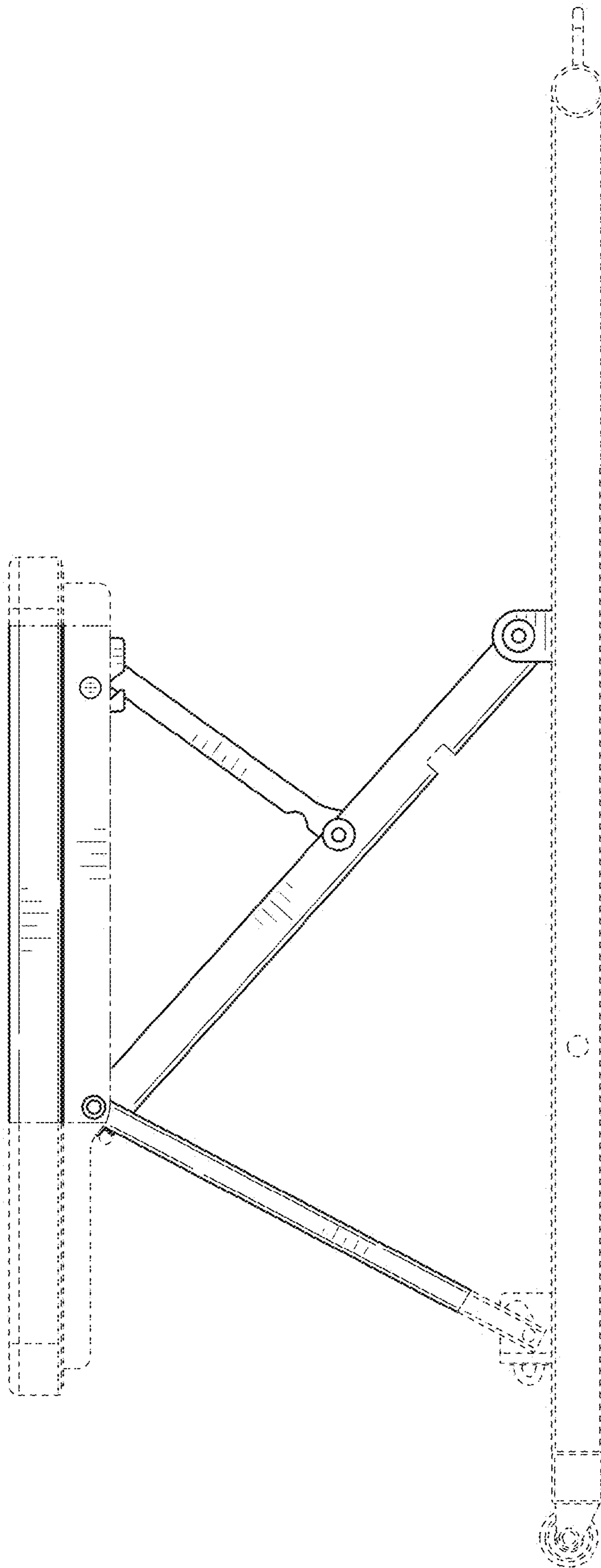


FIG. 37

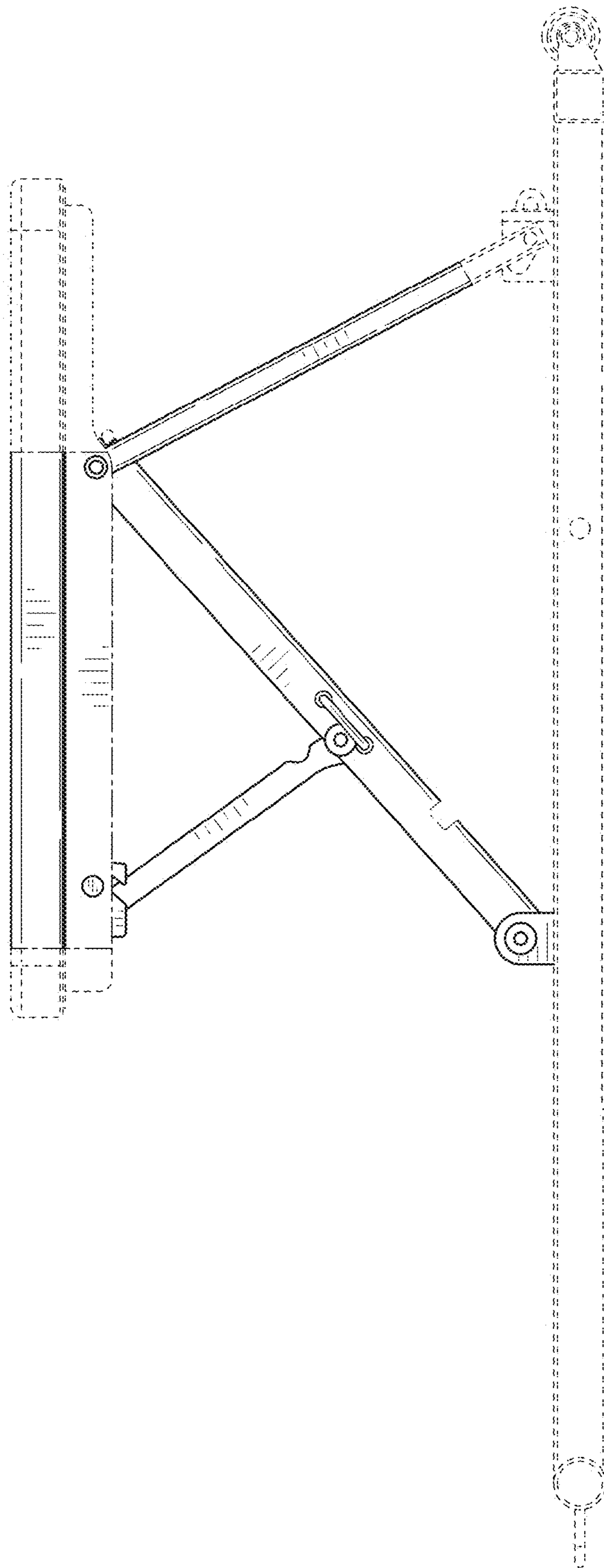


FIG. 38

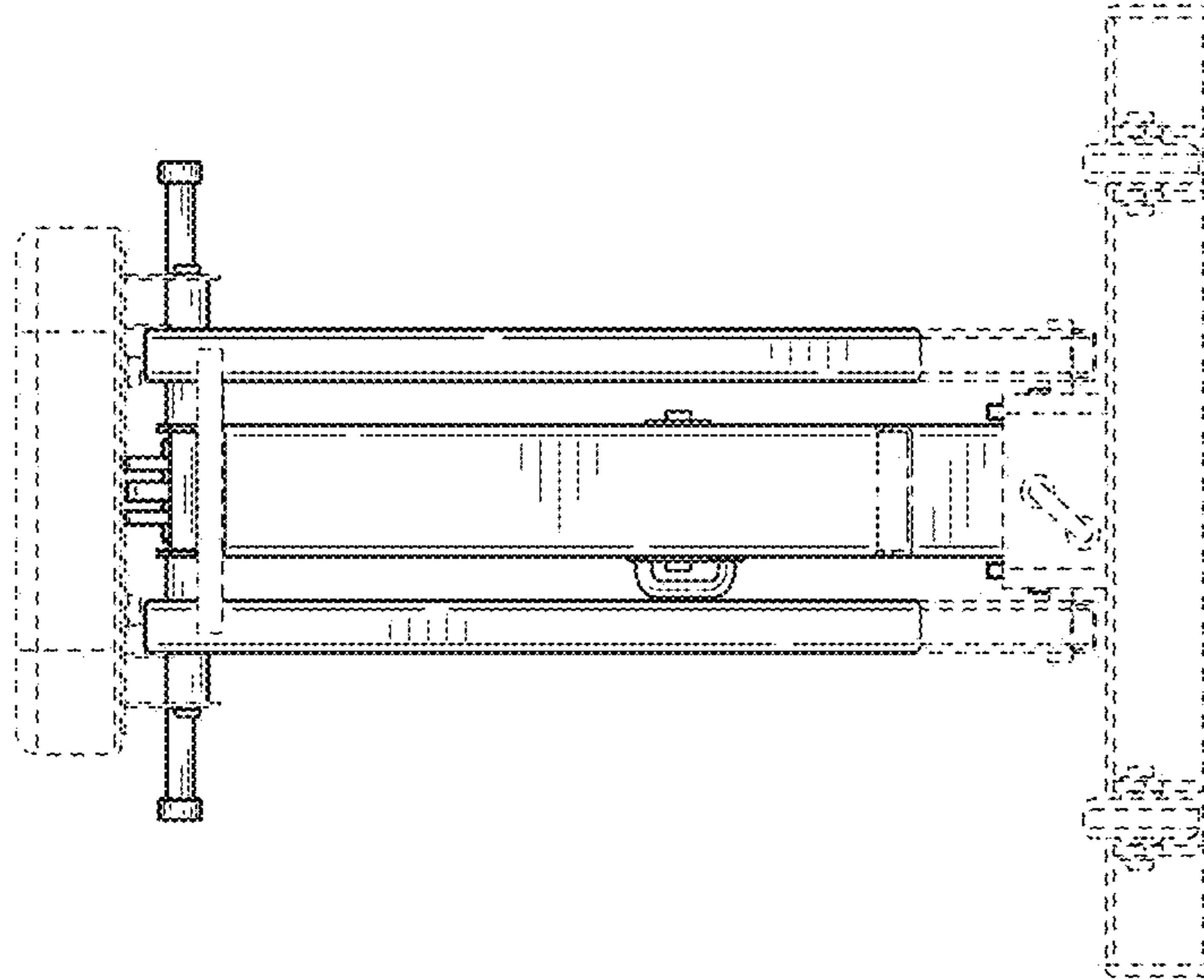


FIG. 39

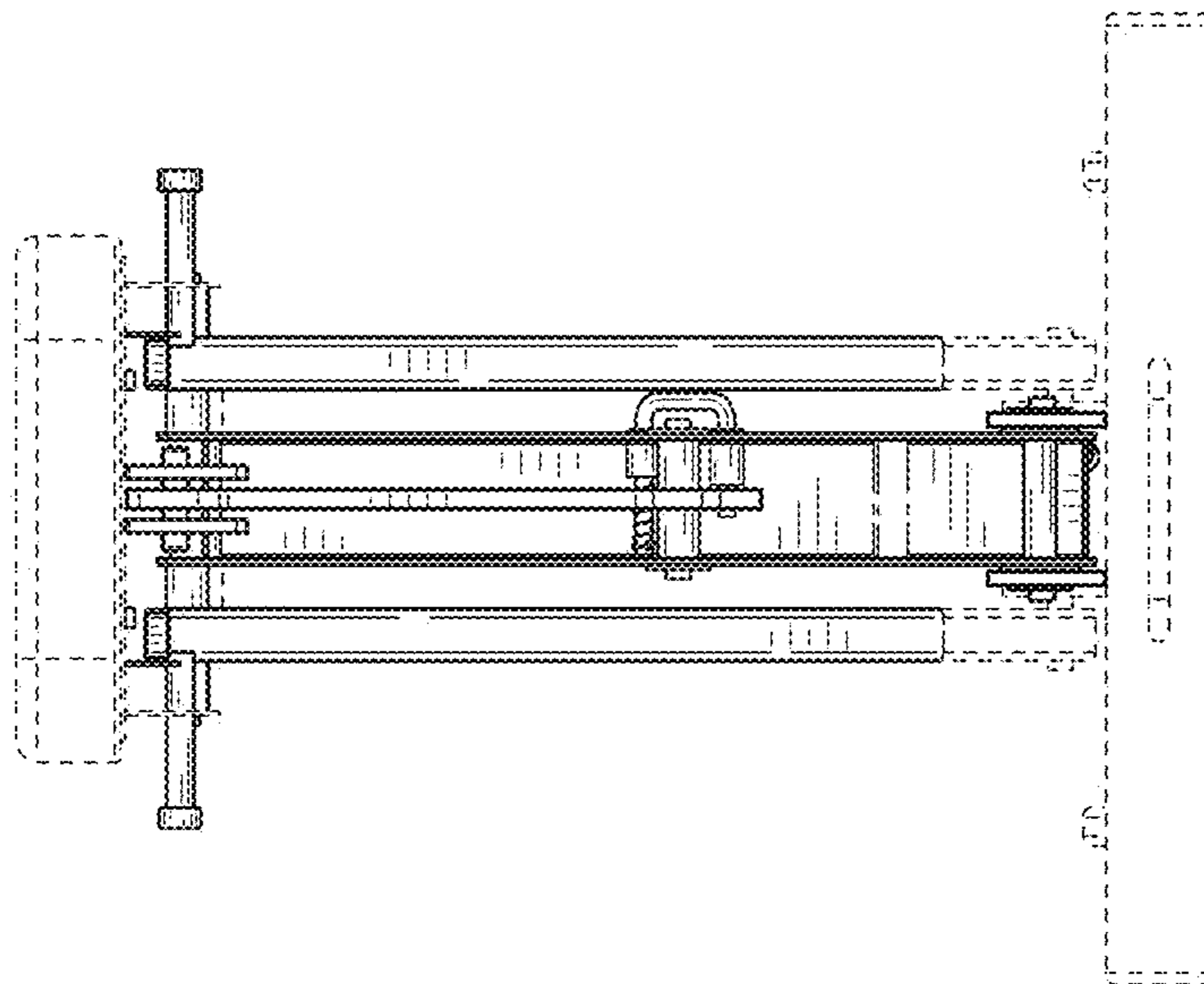


FIG. 40

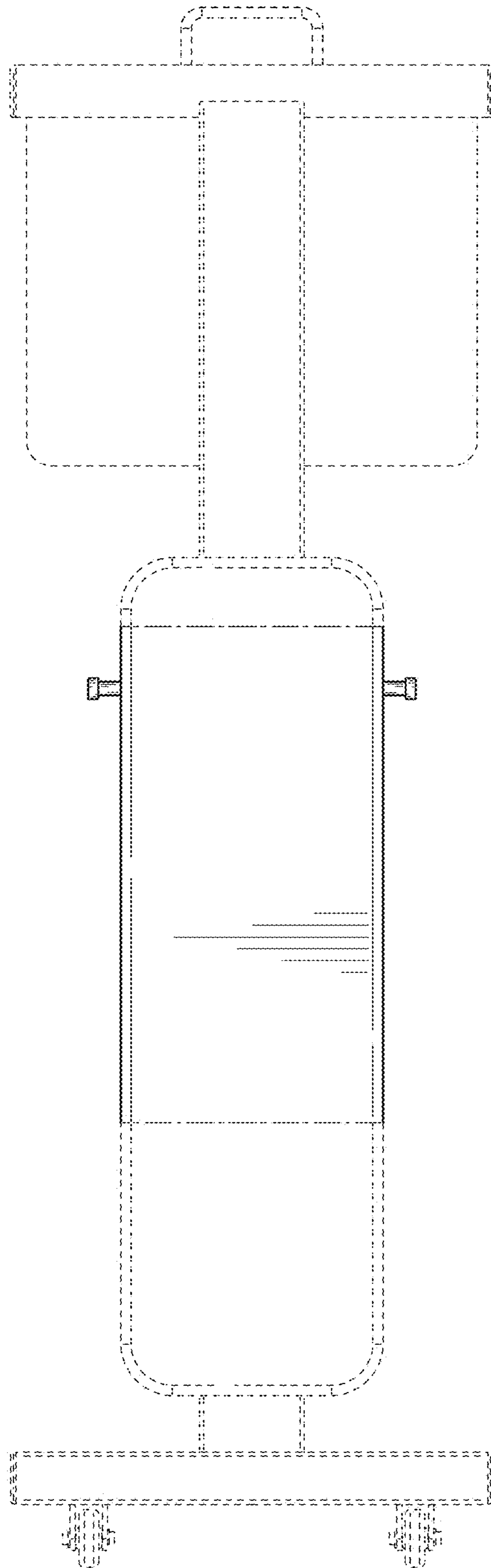


FIG. 41

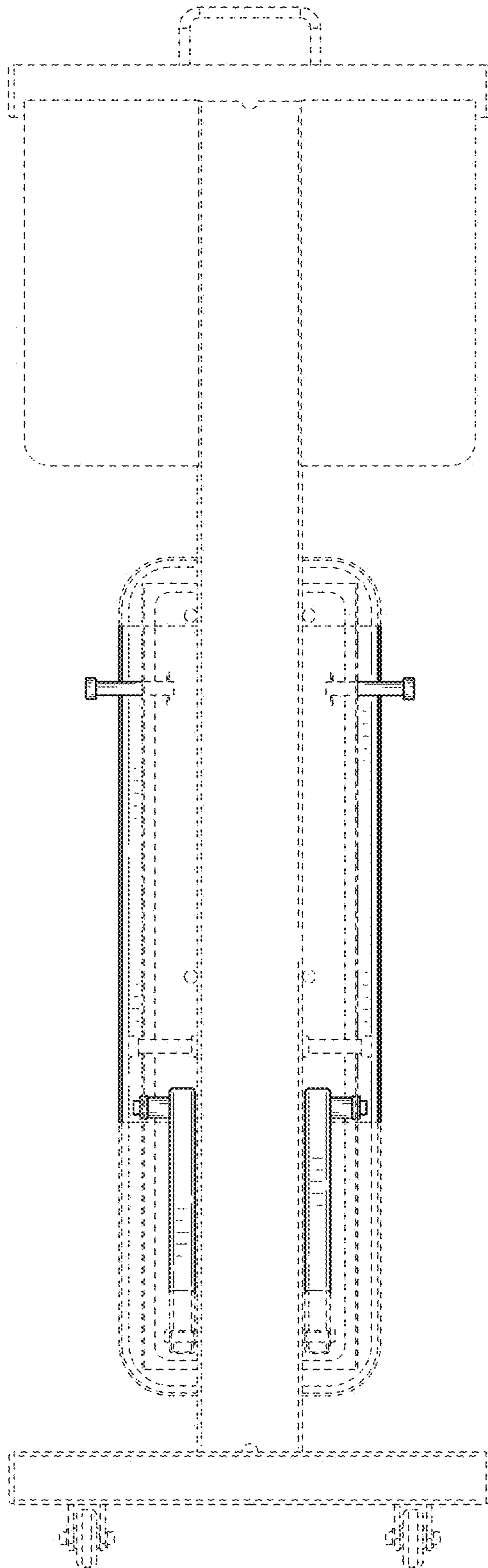


FIG. 42