



US00D974506S

(12) **United States Design Patent** (10) **Patent No.:** **US D974,506 S**
Qi (45) **Date of Patent:** **** Jan. 3, 2023**

(54) **FITNESS EQUIPMENT**

(71) Applicant: **Kai Qi**, Haining (CN)

(72) Inventor: **Kai Qi**, Haining (CN)

(**) Term: **15 Years**

(21) Appl. No.: **29/848,635**

(22) Filed: **Aug. 4, 2022**

(51) **LOC (14) Cl.** **21-02**

(52) **U.S. Cl.**
USPC **D21/686; D21/673**

(58) **Field of Classification Search**
USPC D21/686, 690, 691, 694, 662, 673, 675,
D21/676; 482/103, 104, 130, 133, 142,
482/94, 97
CPC A63B 21/0628; A63B 21/078; A63B
21/0783; A63B 21/154; A63B 21/156;
A63B 23/1218
See application file for complete search history.

(56) **References Cited**

U.S. PATENT DOCUMENTS

4,781,374	A *	11/1988	Lederman	A63B 21/154 482/99
7,070,546	B1 *	7/2006	Grasso	A63B 21/072 482/145
D550,791	S *	9/2007	Rogers	D21/694
7,393,309	B2 *	7/2008	Webber	A63B 21/0626 482/135
D574,451	S	8/2008	Muramatsu		
D581,995	S	12/2008	Muramatsu		
D723,638	S	3/2015	Zhu		

(Continued)

OTHER PUBLICATIONS

Er Kang by Er Kang dated Sep. 8, 2022. Found online [Nov. 2, 2022] <https://tinyurl.com/mrt7b9y7>.*

(Continued)

Primary Examiner — Ryan Harvey

(74) *Attorney, Agent, or Firm* — Rumi Ranjit Kanakia

(57) **CLAIM**

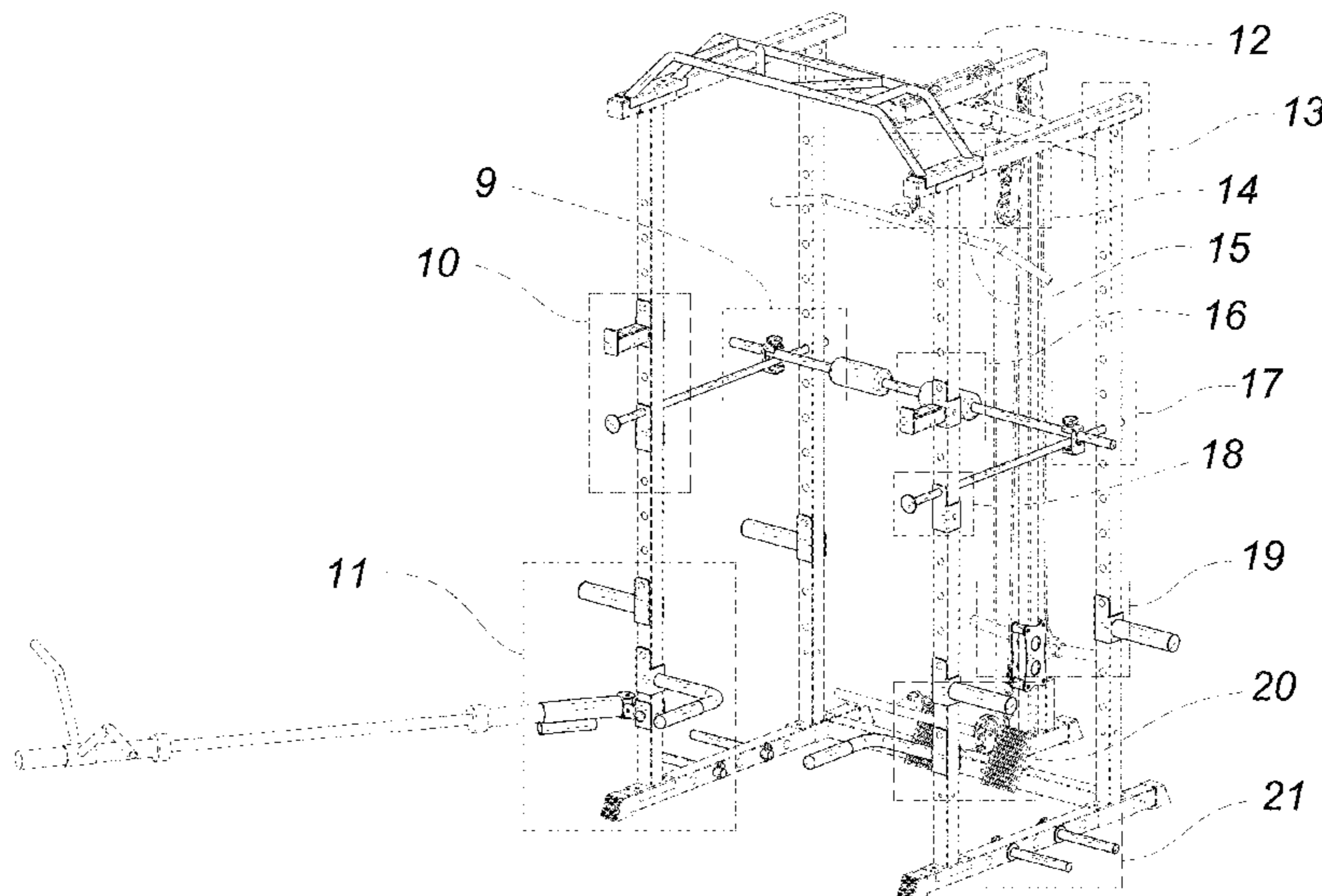
The ornamental design for a fitness equipment, as shown and described.

DESCRIPTION

FIG. 1 is a perspective view of a fitness equipment showing my new design;
 FIG. 2 is another perspective view thereof;
 FIG. 3 is a front elevational view thereof;
 FIG. 4 is a rear elevational view thereof;
 FIG. 5 is a left side view thereof;
 FIG. 6 is a right side view thereof;
 FIG. 7 is a top plan view thereof;
 FIG. 8 is a bottom plan view thereof;
 FIG. 9 is a partial enlarged view of FIG. 1;
 FIG. 10 is a partial enlarged view of FIG. 1;
 FIG. 11 is a partial enlarged view of FIG. 1;
 FIG. 12 is a partial enlarged view of FIG. 1;
 FIG. 13 is a partial enlarged view of FIG. 1;
 FIG. 14 is a partial enlarged view of FIG. 1;
 FIG. 15 is a partial enlarged view of FIG. 1;
 FIG. 16 is a partial enlarged view of FIG. 1;
 FIG. 17 is a partial enlarged view of FIG. 1;
 FIG. 18 is a partial enlarged view of FIG. 1;
 FIG. 19 is a partial enlarged view of FIG. 1;
 FIG. 20 is a partial enlarged view of FIG. 1;
 FIG. 21 is a partial enlarged view of FIG. 1;
 FIG. 22 is a partial enlarged view of FIG. 2;
 FIG. 23 is a partial enlarged view of FIG. 2;
 FIG. 24 is a partial enlarged view of FIG. 2;
 FIG. 25 is a partial enlarged view of FIG. 2;
 FIG. 26 is a partial enlarged view of FIG. 2; and,
 FIG. 27 is a partial enlarged view of FIG. 2.

The broken lines in the figures are for the purposes of illustrating portions of the fitness equipment, which form no part of the claimed design.

1 Claim, 20 Drawing Sheets



(56)

References Cited

U.S. PATENT DOCUMENTS

D735,820 S * 8/2015 Alenaddaf D21/686
 D735,821 S * 8/2015 Alenaddaf D21/686
 9,421,414 B2 * 8/2016 Floyd A63B 21/078
 D806,807 S 1/2018 Kang
 D823,952 S 7/2018 Shulte
 D852,906 S 7/2019 Zhu
 D865,878 S 11/2019 Farinatti
 D884,097 S * 5/2020 Ameri D21/694
 D919,022 S 5/2021 Yang
 D931,953 S 9/2021 Kuka
 D931,958 S * 9/2021 Pritchett D21/694
 11,110,313 B2 * 9/2021 Gore A63B 21/0783
 D933,760 S 10/2021 Qiao
 D941,407 S * 1/2022 Kuka D8/381
 D956,151 S * 6/2022 Ameri D21/694
 2007/0155595 A1 * 7/2007 Rogers A63B 21/08
 482/97
 2007/0155596 A1 * 7/2007 Rogers A63B 21/0615
 482/97

2009/0105052 A1 * 4/2009 Dalebout A63B 21/06
 482/133
 2014/0087928 A1 * 3/2014 Luedeka A63B 21/4023
 482/130
 2014/0243174 A1 * 8/2014 Alenaddaf A63B 21/15
 482/142
 2019/0240525 A1 * 8/2019 Leipheimer A63B 21/0724
 2019/0336812 A1 * 11/2019 Leipheimer A63B 23/03566

OTHER PUBLICATIONS

Fitness Equipment, Mikolo Power Cage with LAT Pulldown System, 1200LBS Capacity Power Rack, Multi-Functional Squat Rack with 13-Level Adjustable Height and J-Hooks, Dip Bars, T-Bar (2022 Version), amazon.com, May 26, 2022, https://www.amazon.com/Mikolo-Pulldown-Multi-Functional-Adjustable-Version-Red/dp/BOB2D5MBZX/Yef=zg_bs_3408451_8/136-2114565-9336208?pd_rd_i=B09ZLM46KH&th=1 (Last accessed: Aug. 4, 2022).

* cited by examiner

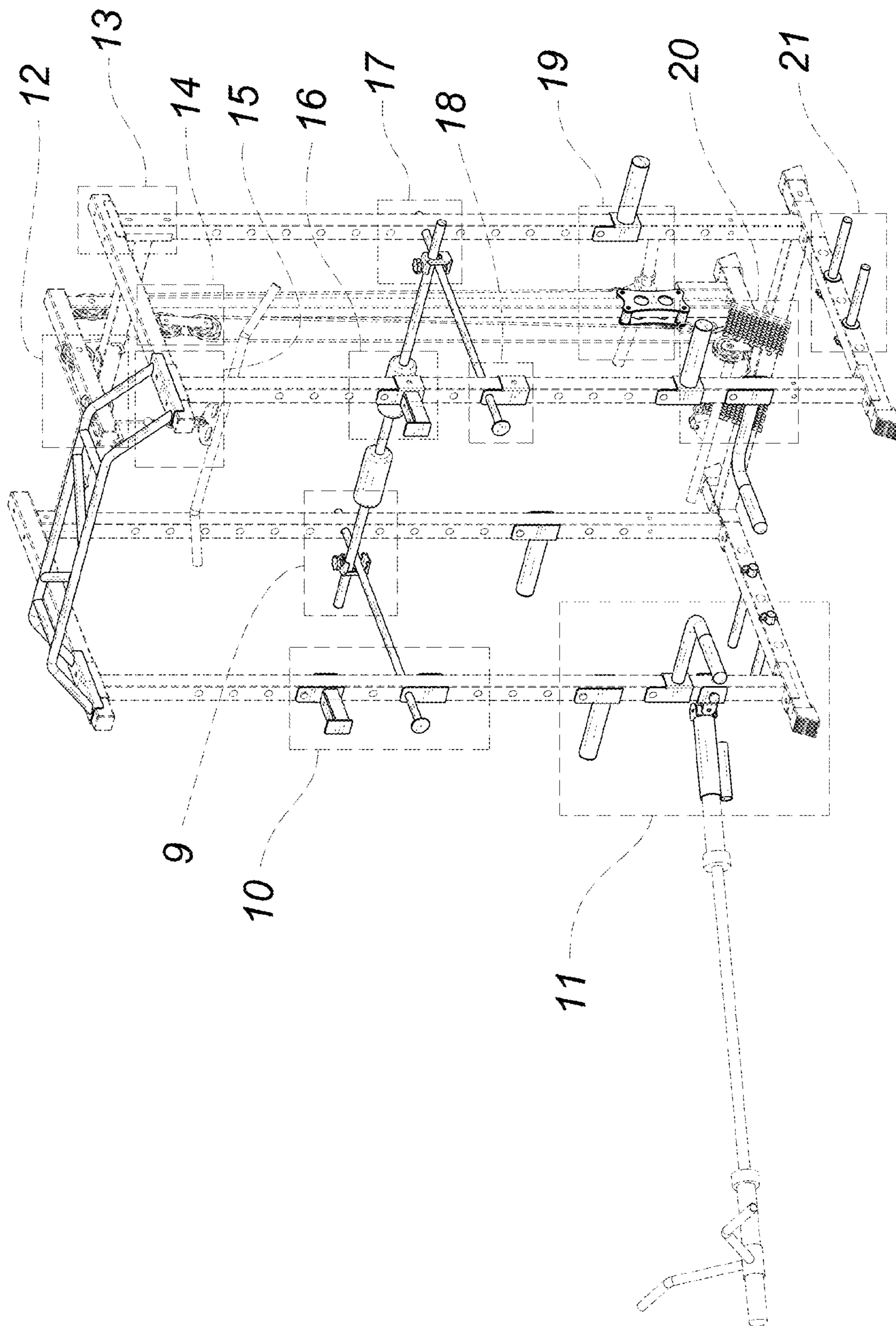


FIG. 1

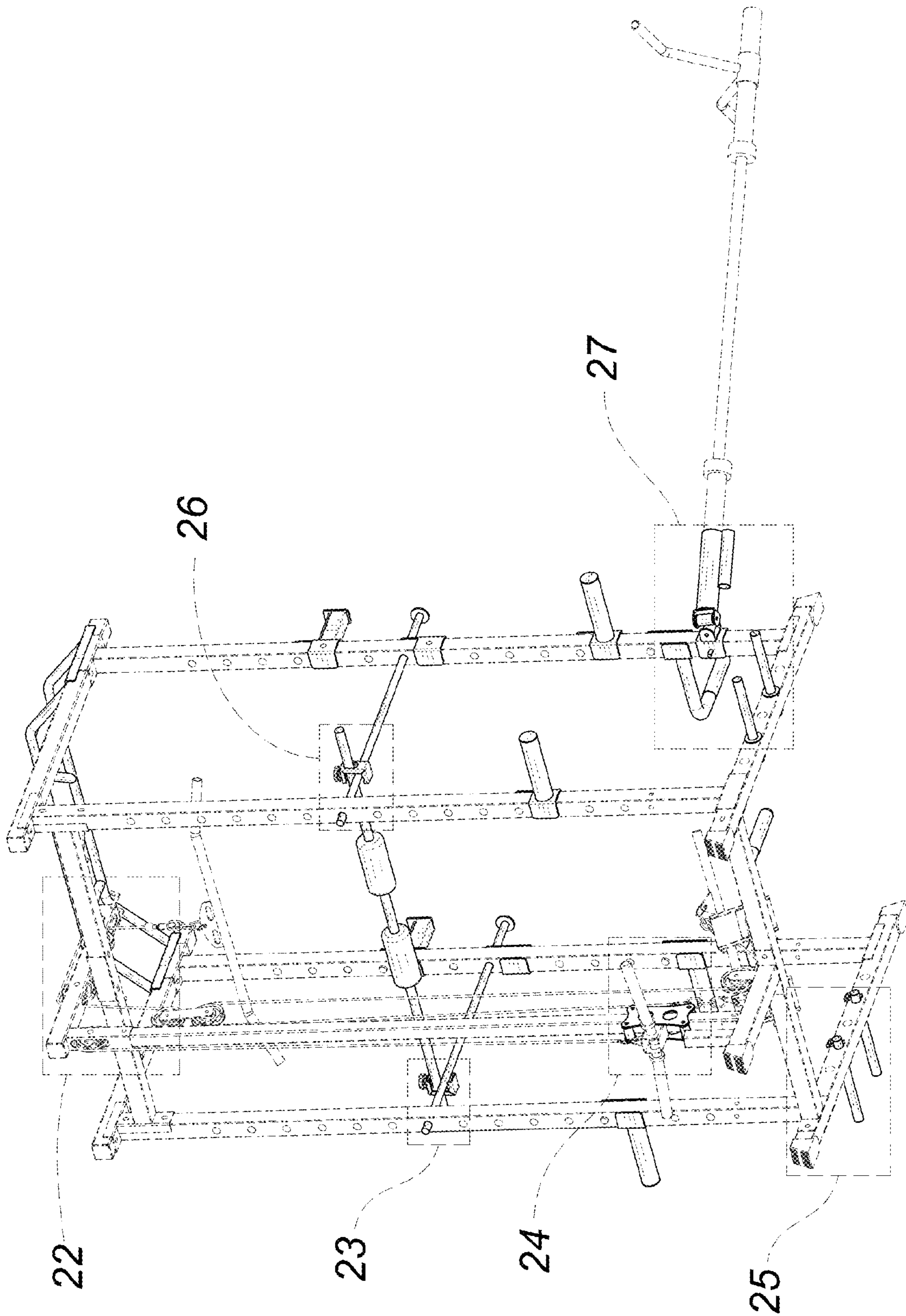


FIG. 2

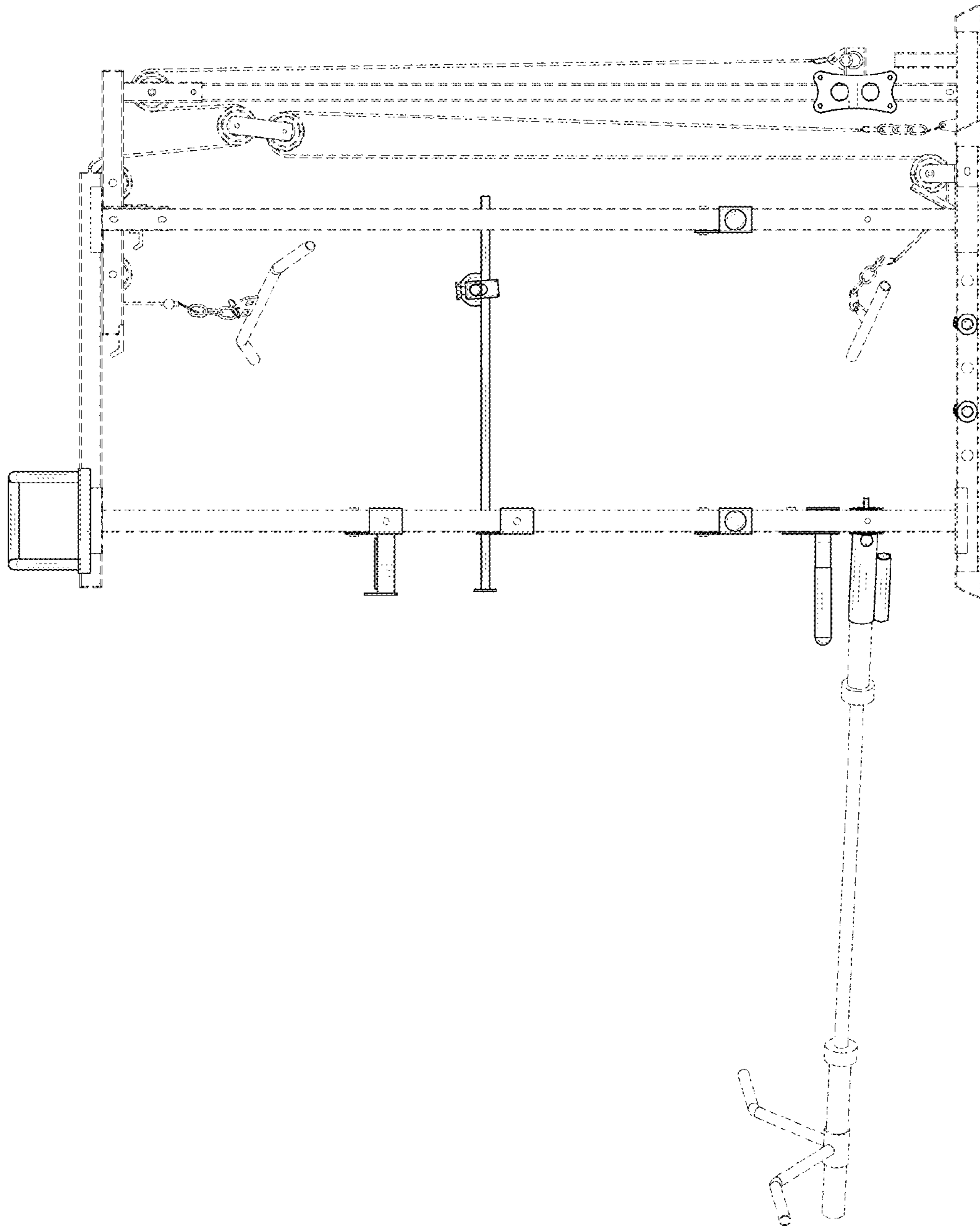


FIG. 3

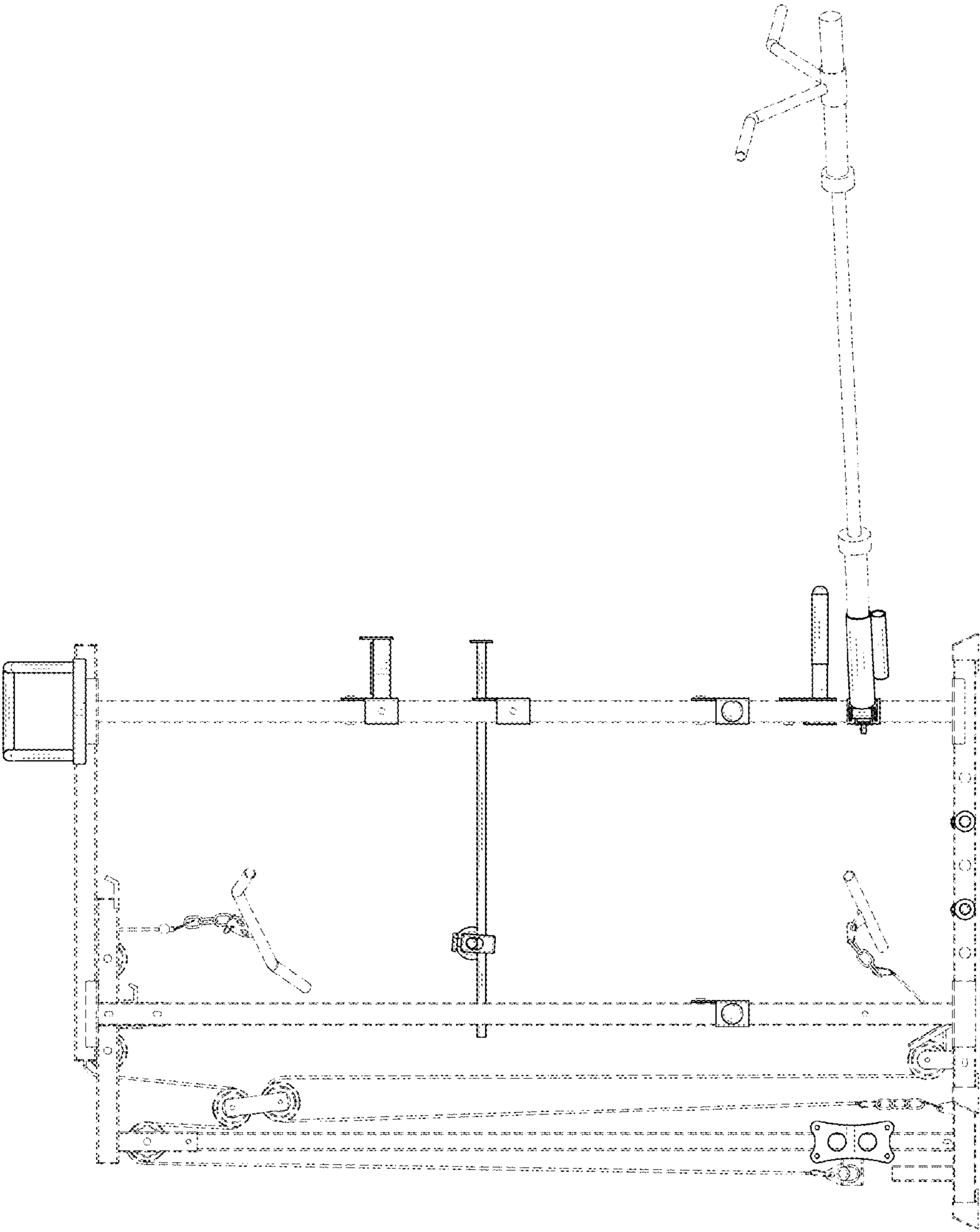


FIG. 4

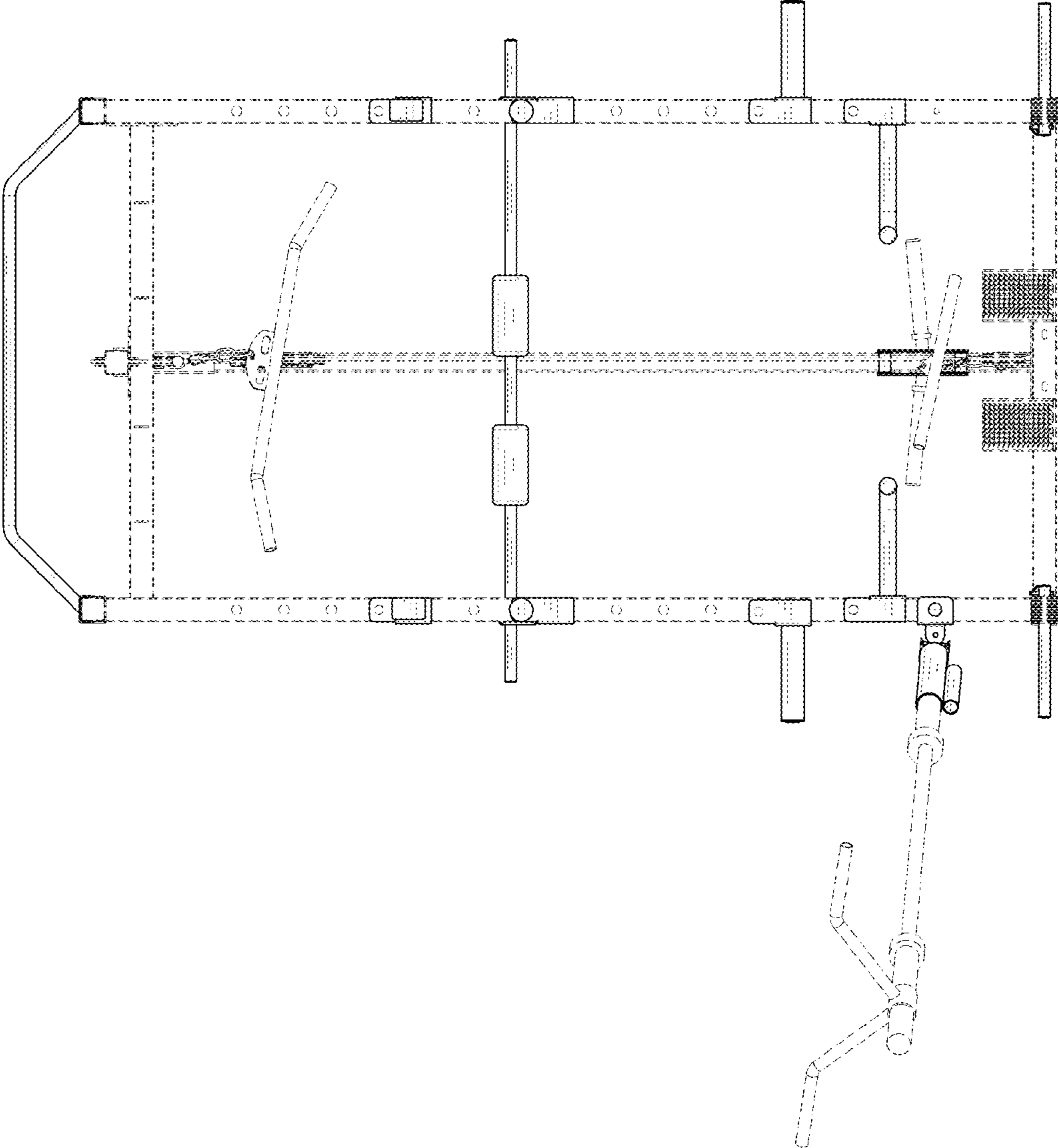


FIG. 5

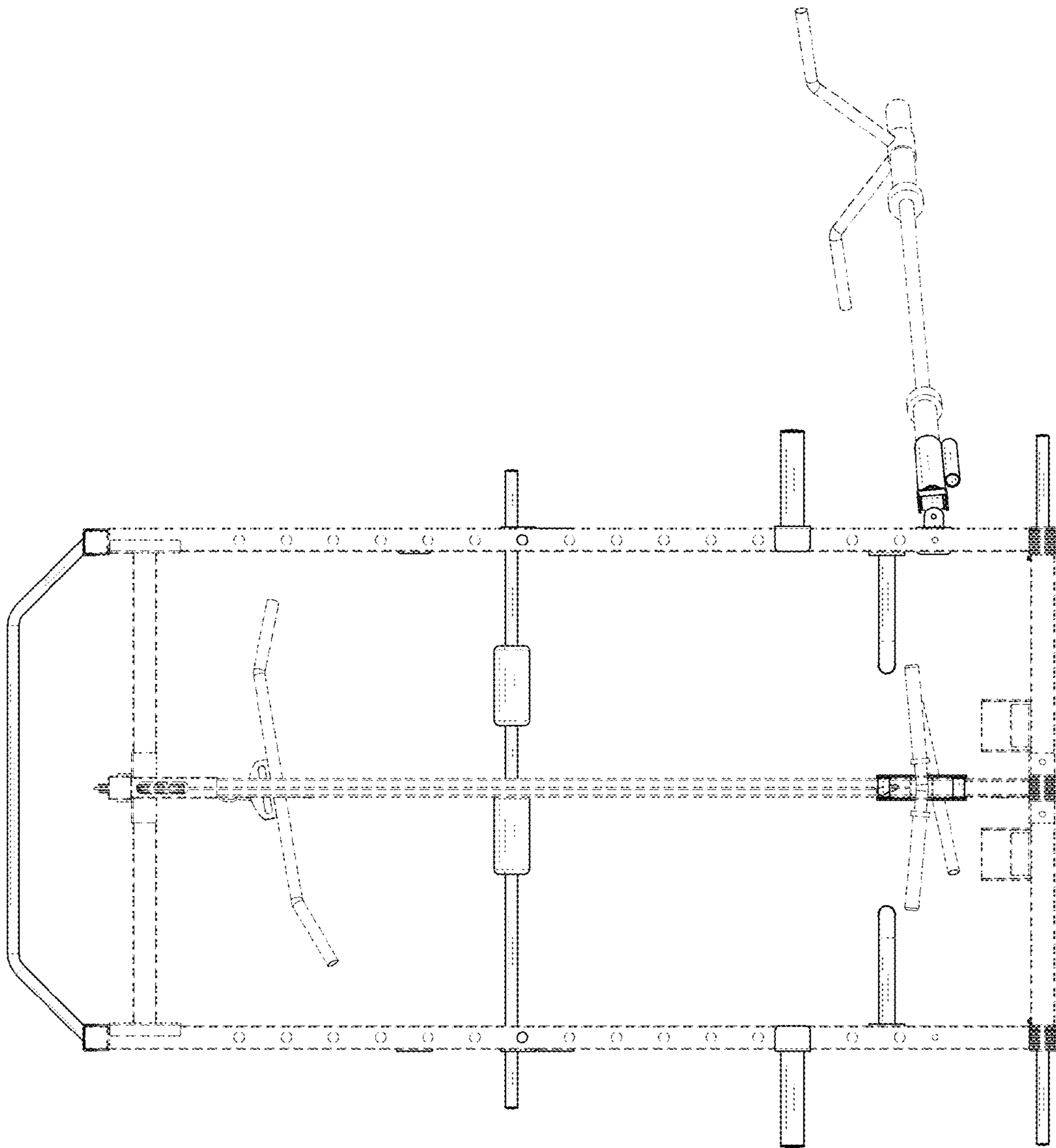


FIG. 6

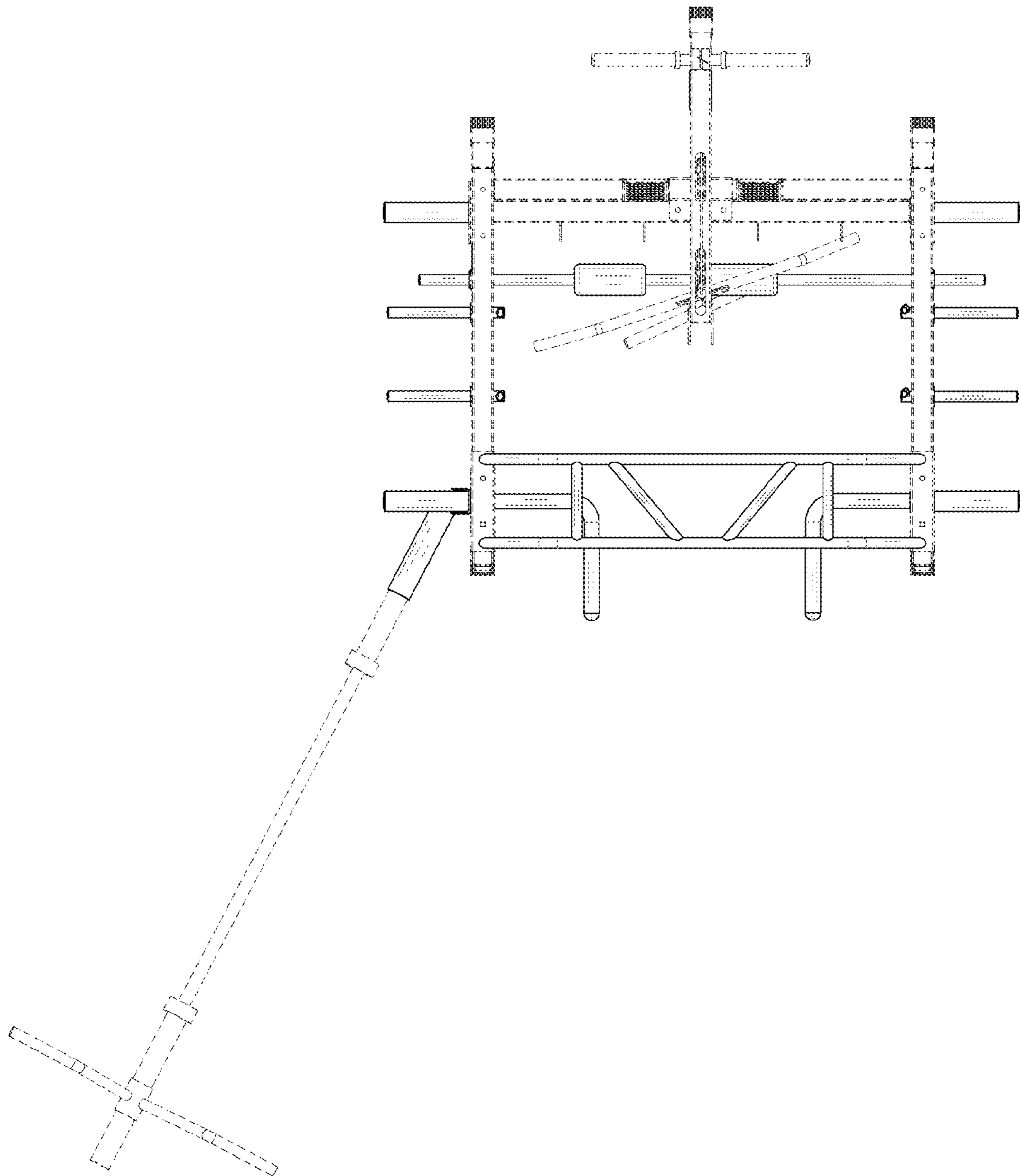


FIG. 7

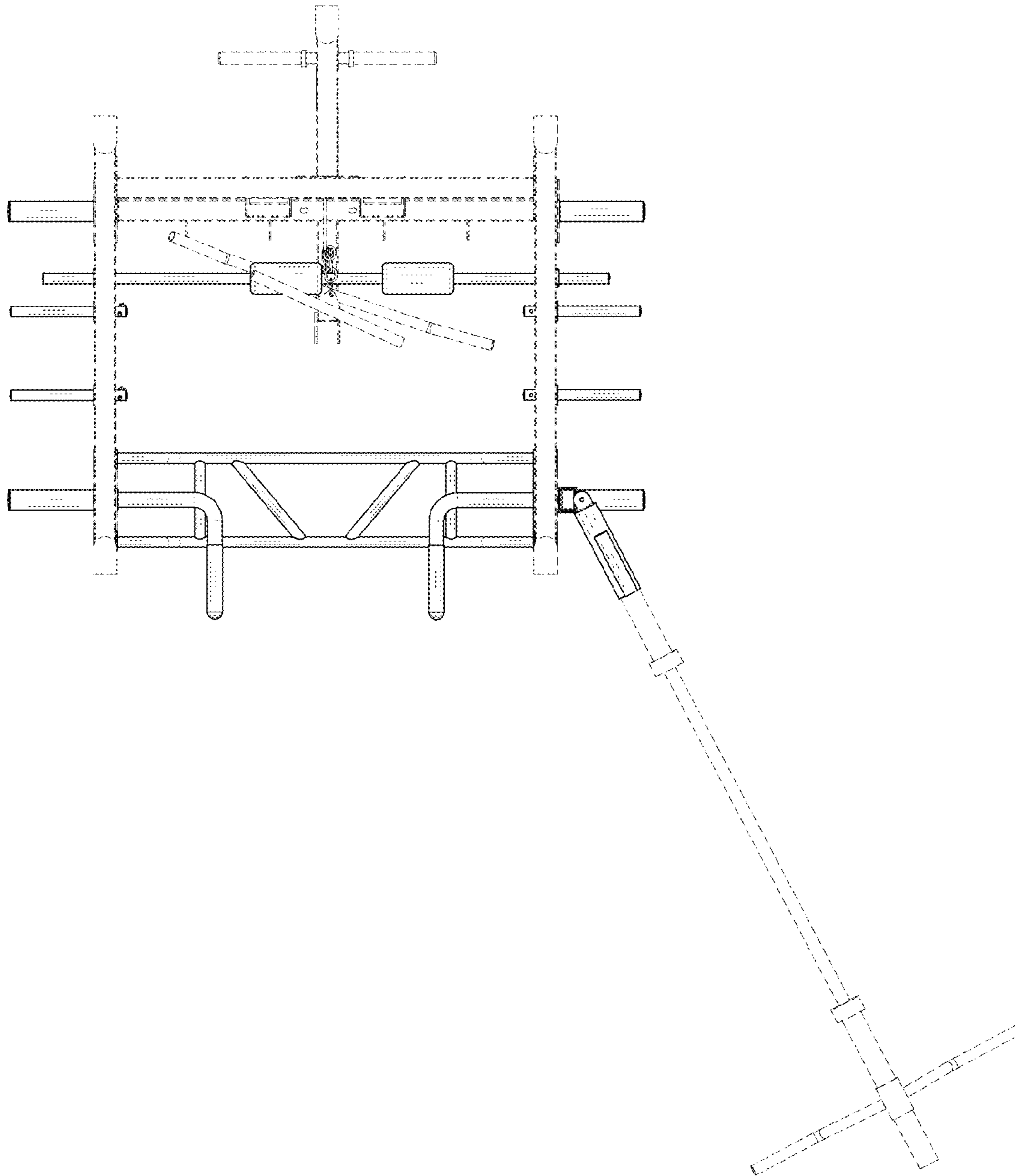


FIG. 8

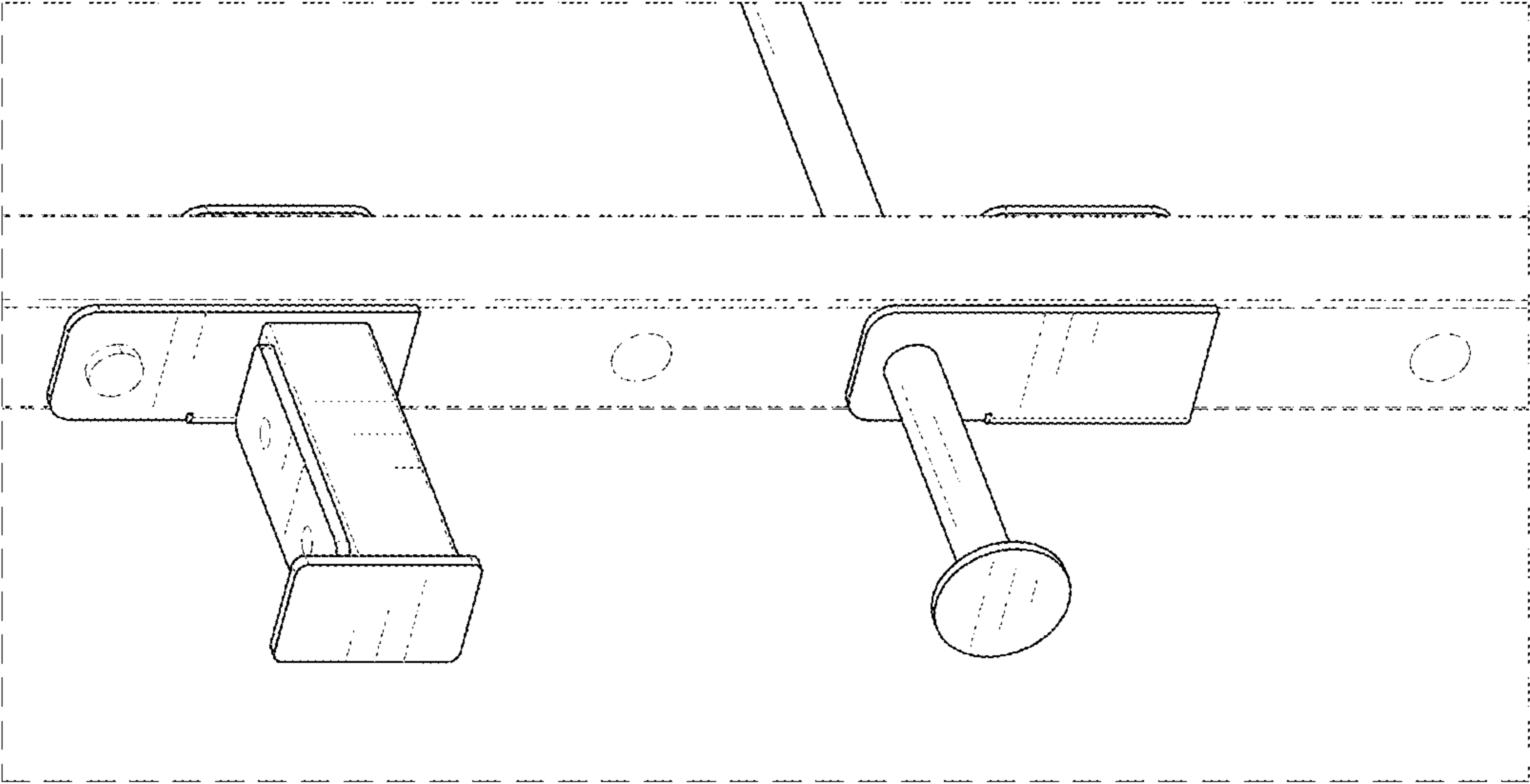


FIG. 10

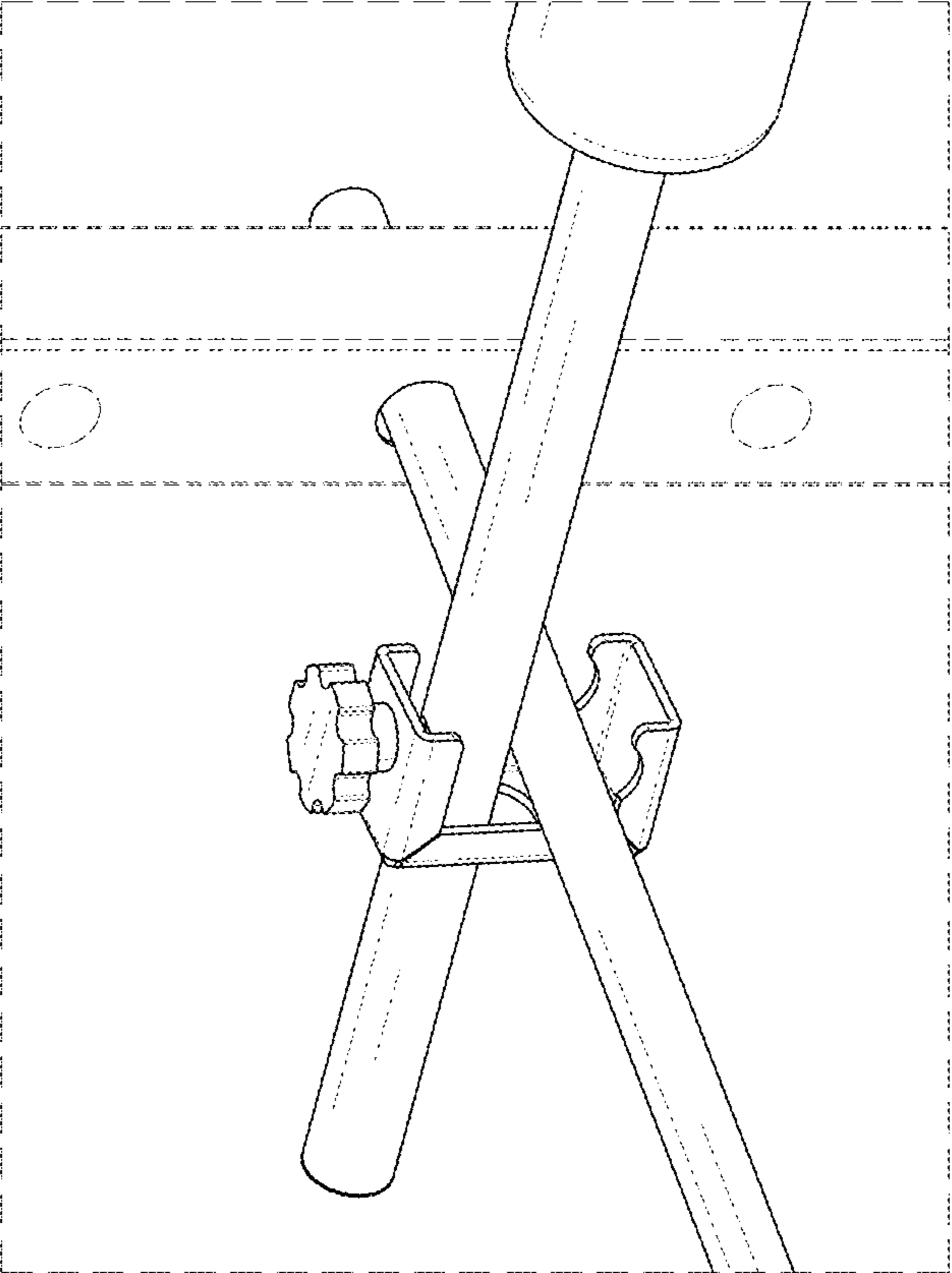


FIG. 9

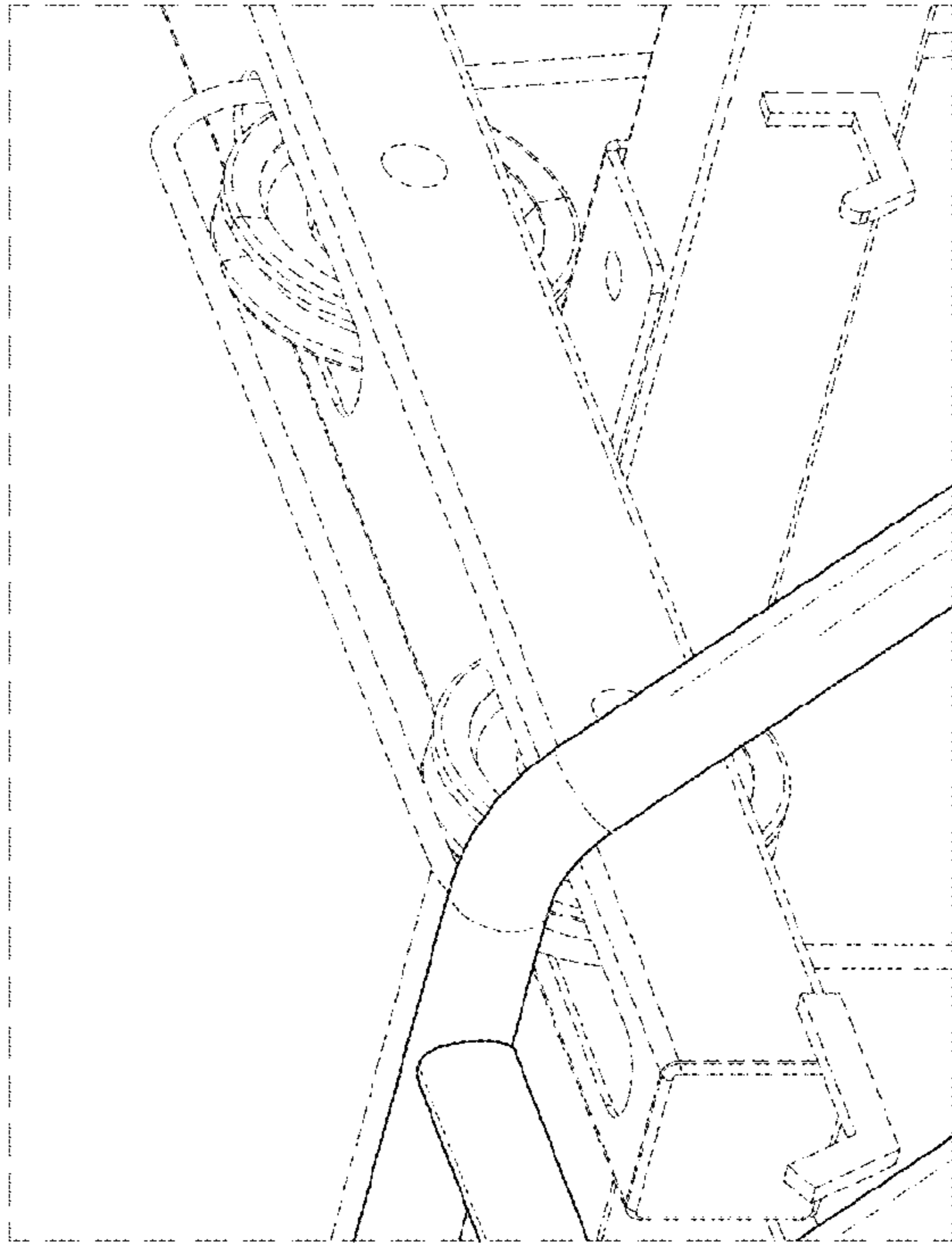


FIG. 12

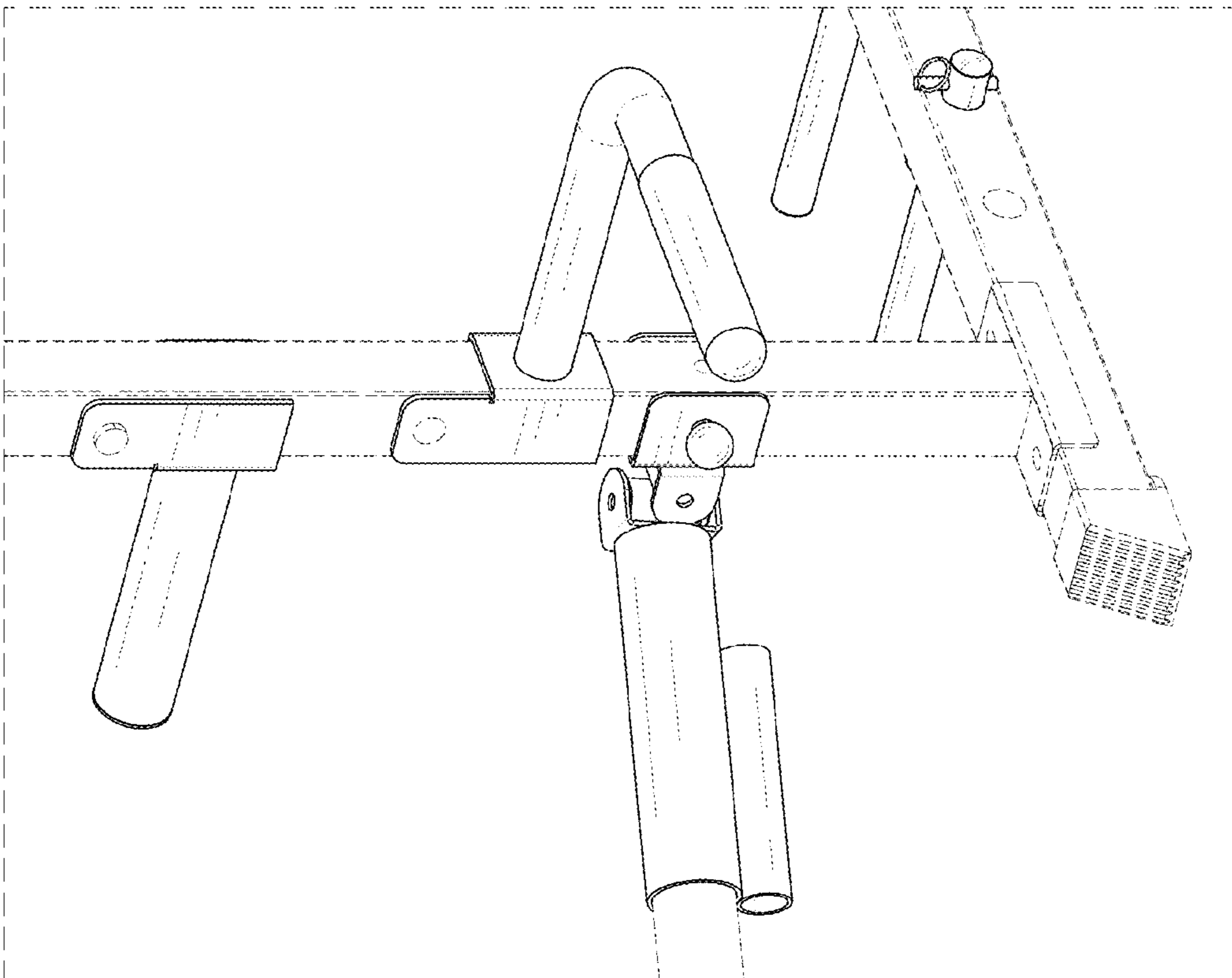


FIG. 11

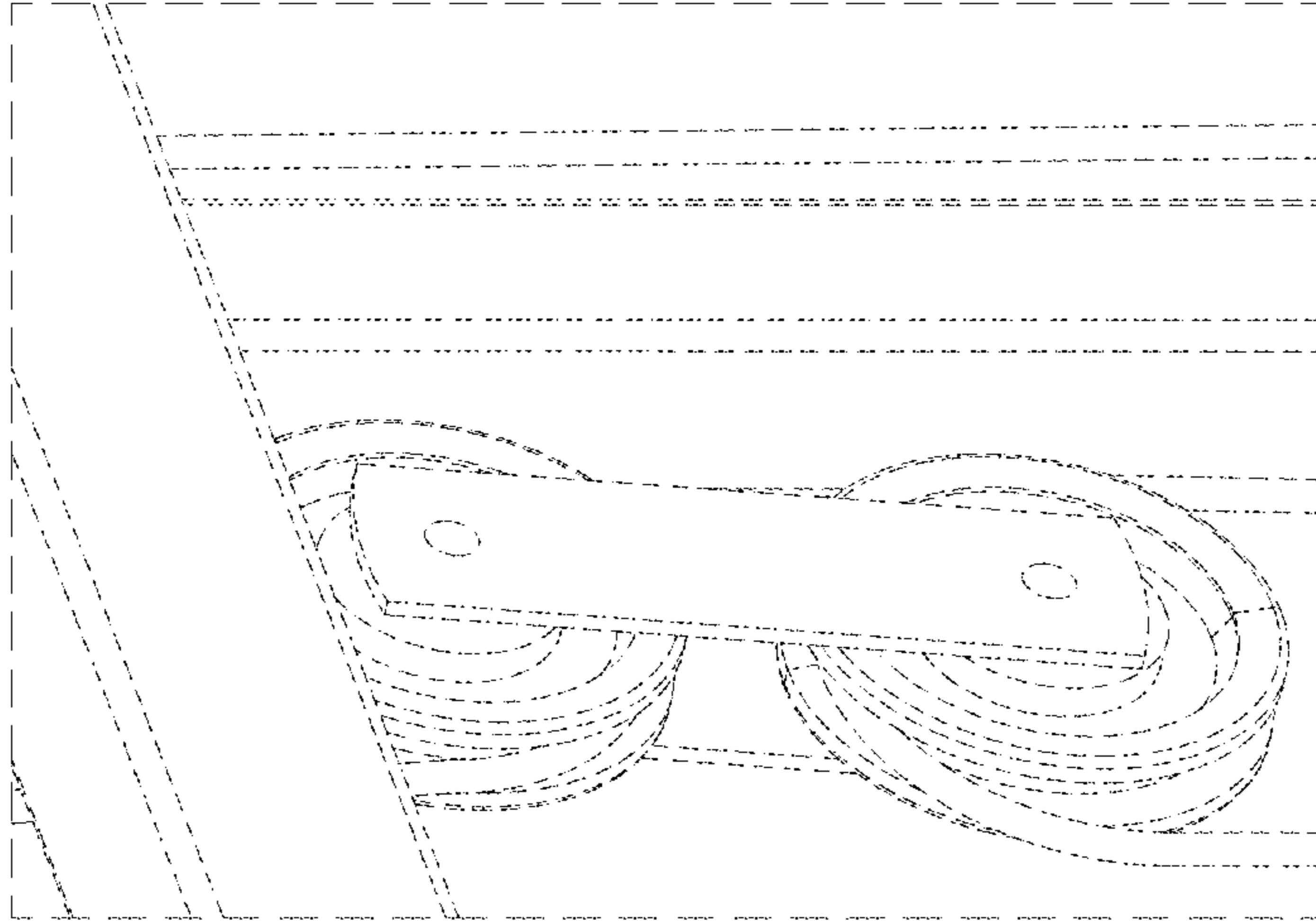


FIG. 14

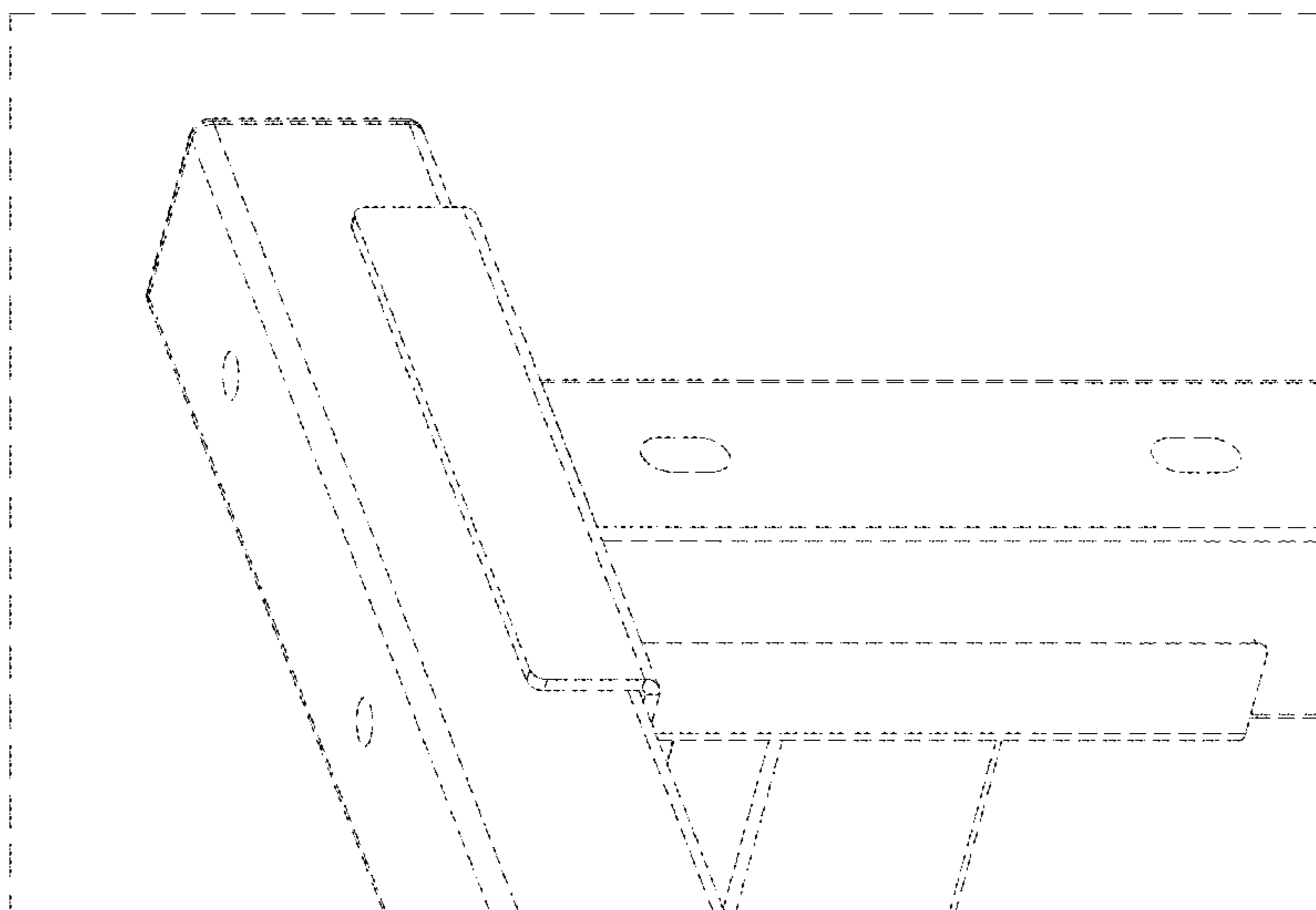


FIG. 13

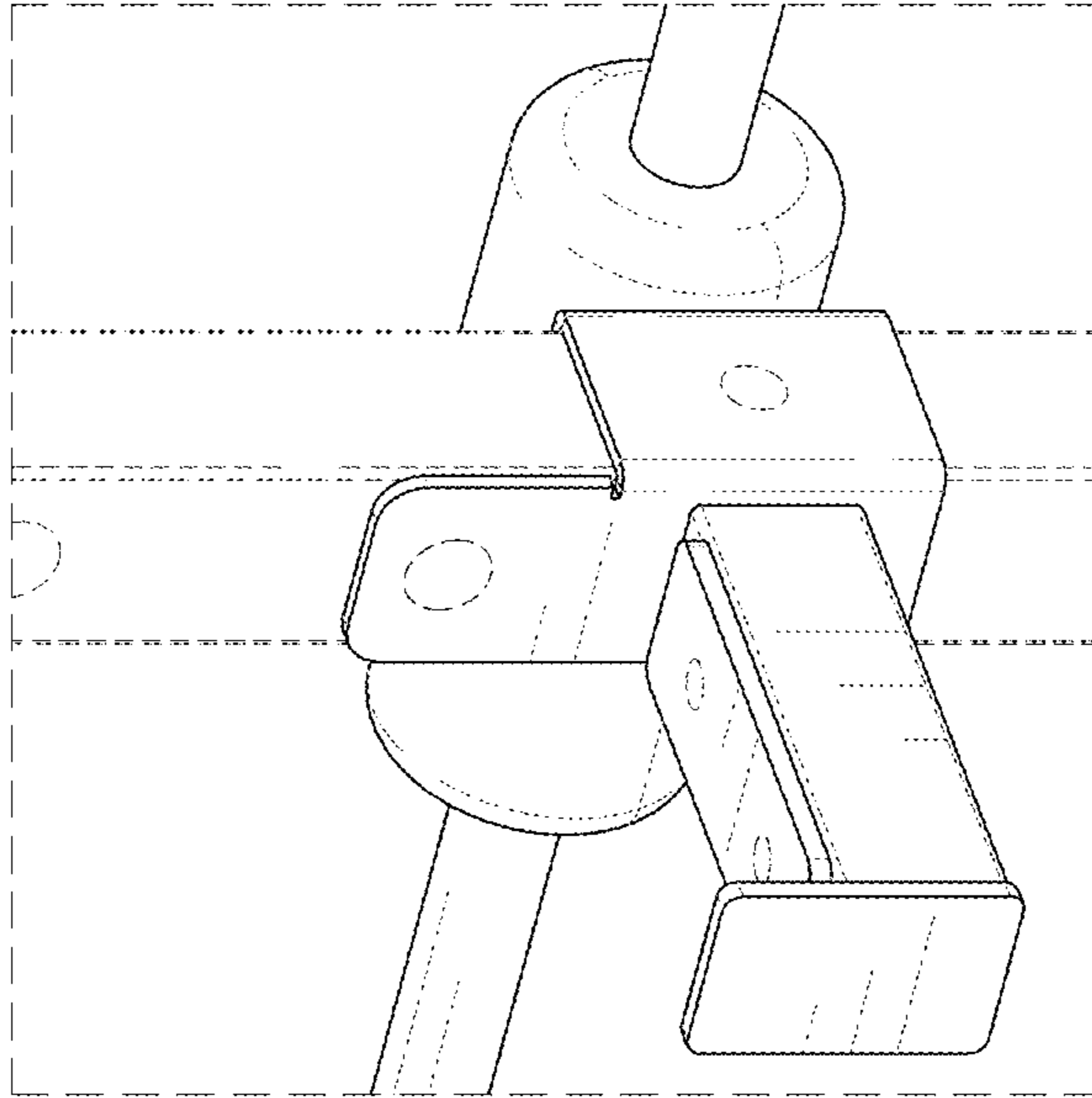


FIG. 16

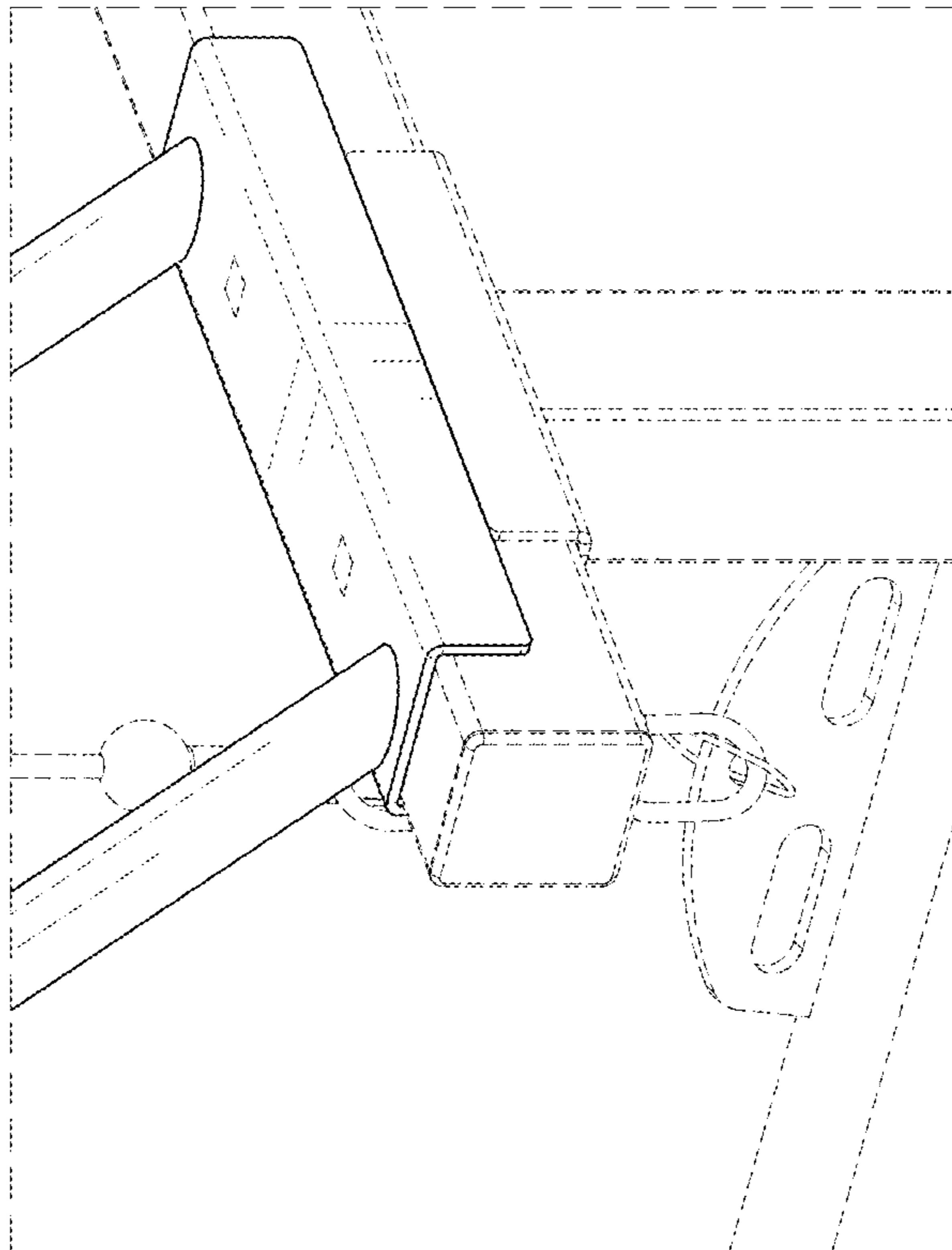


FIG. 15

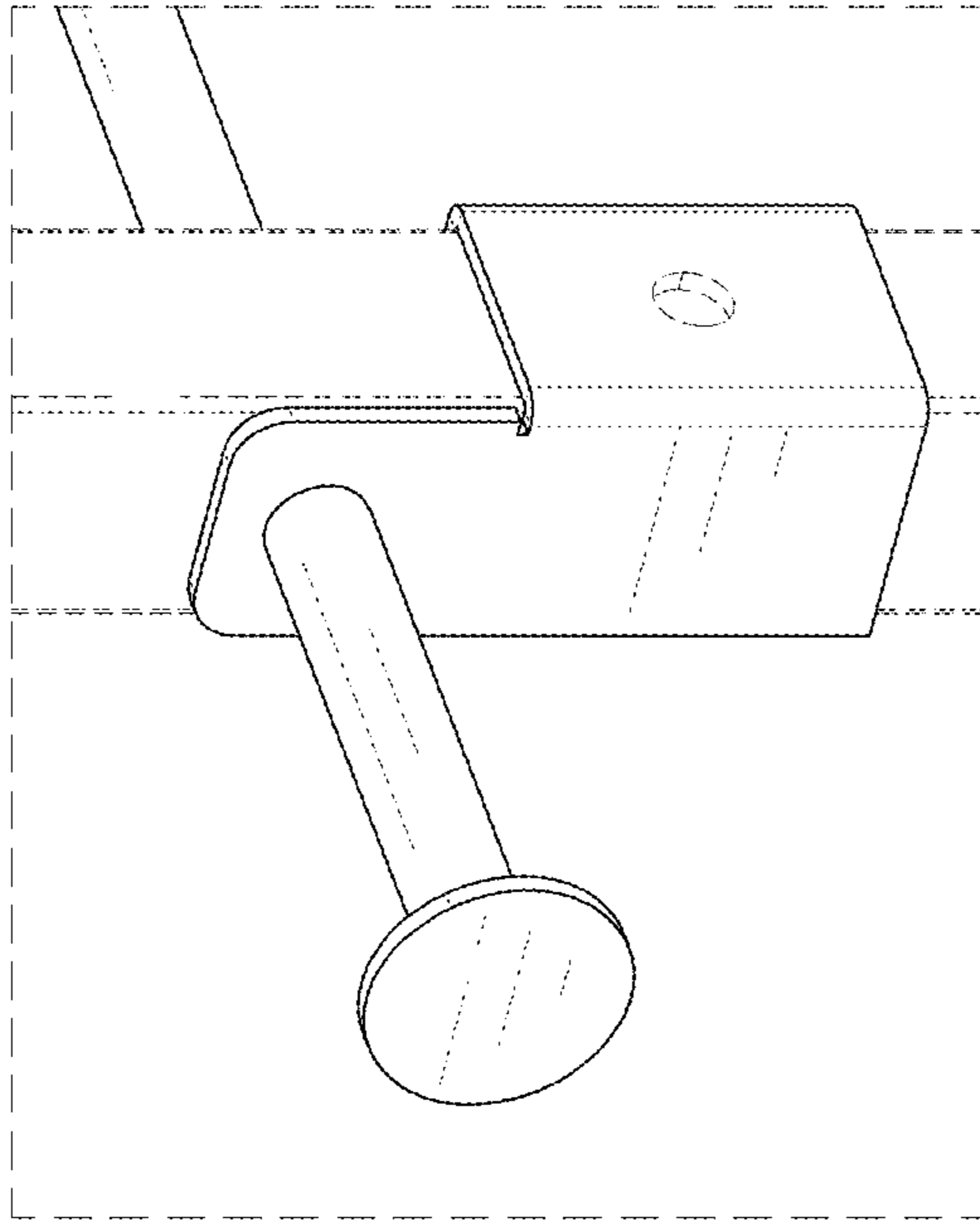


FIG. 18

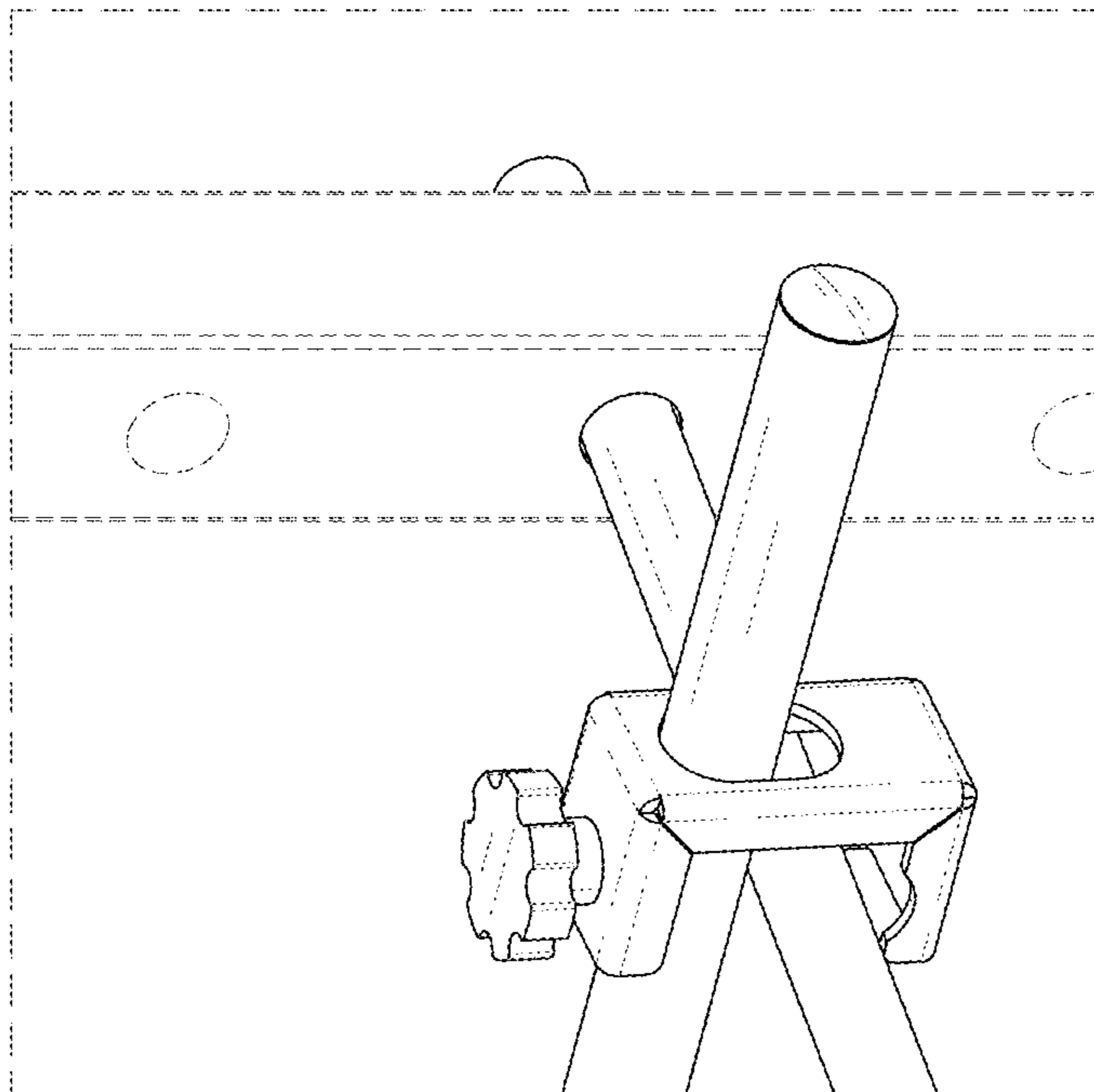


FIG. 17

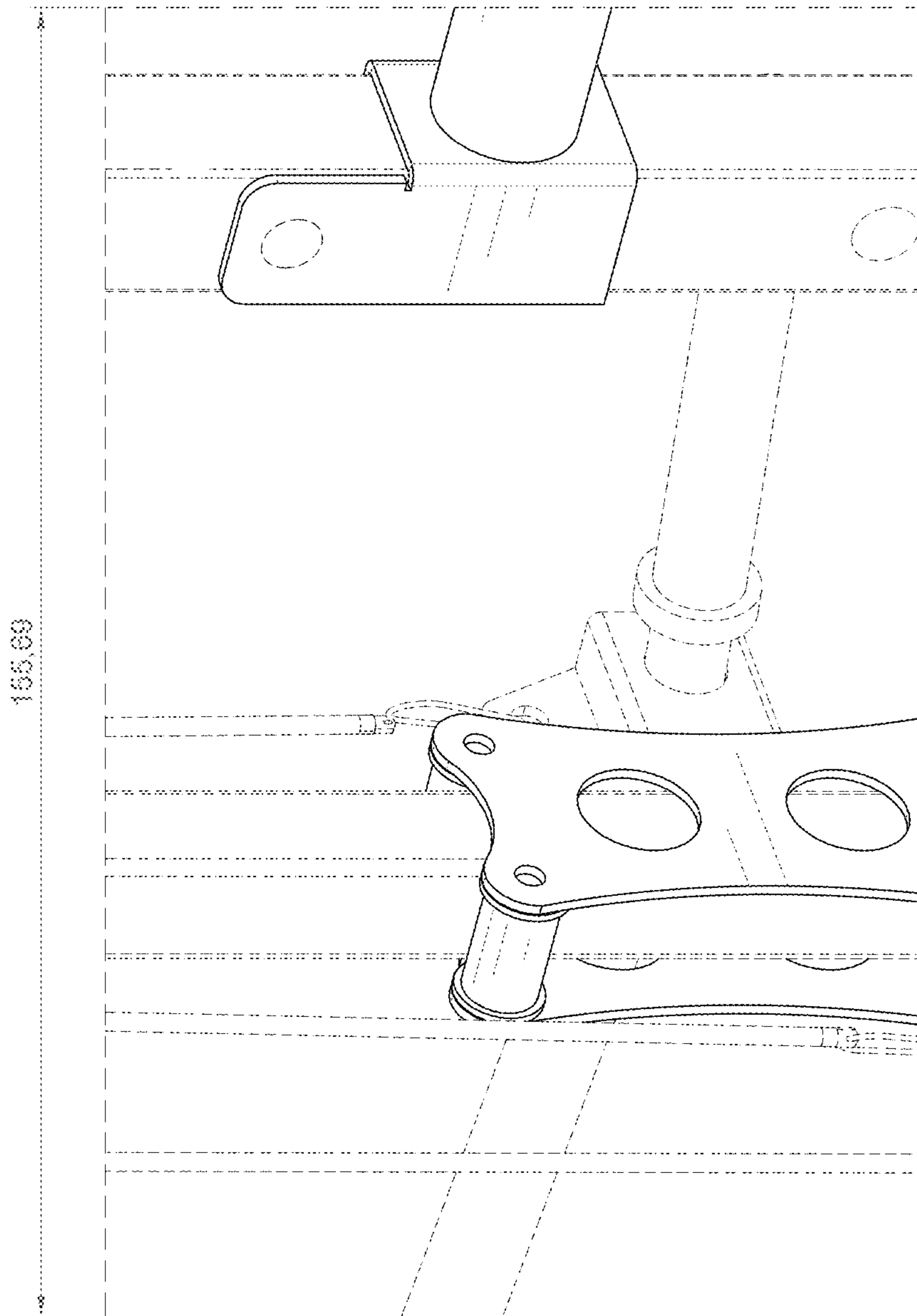


FIG. 19

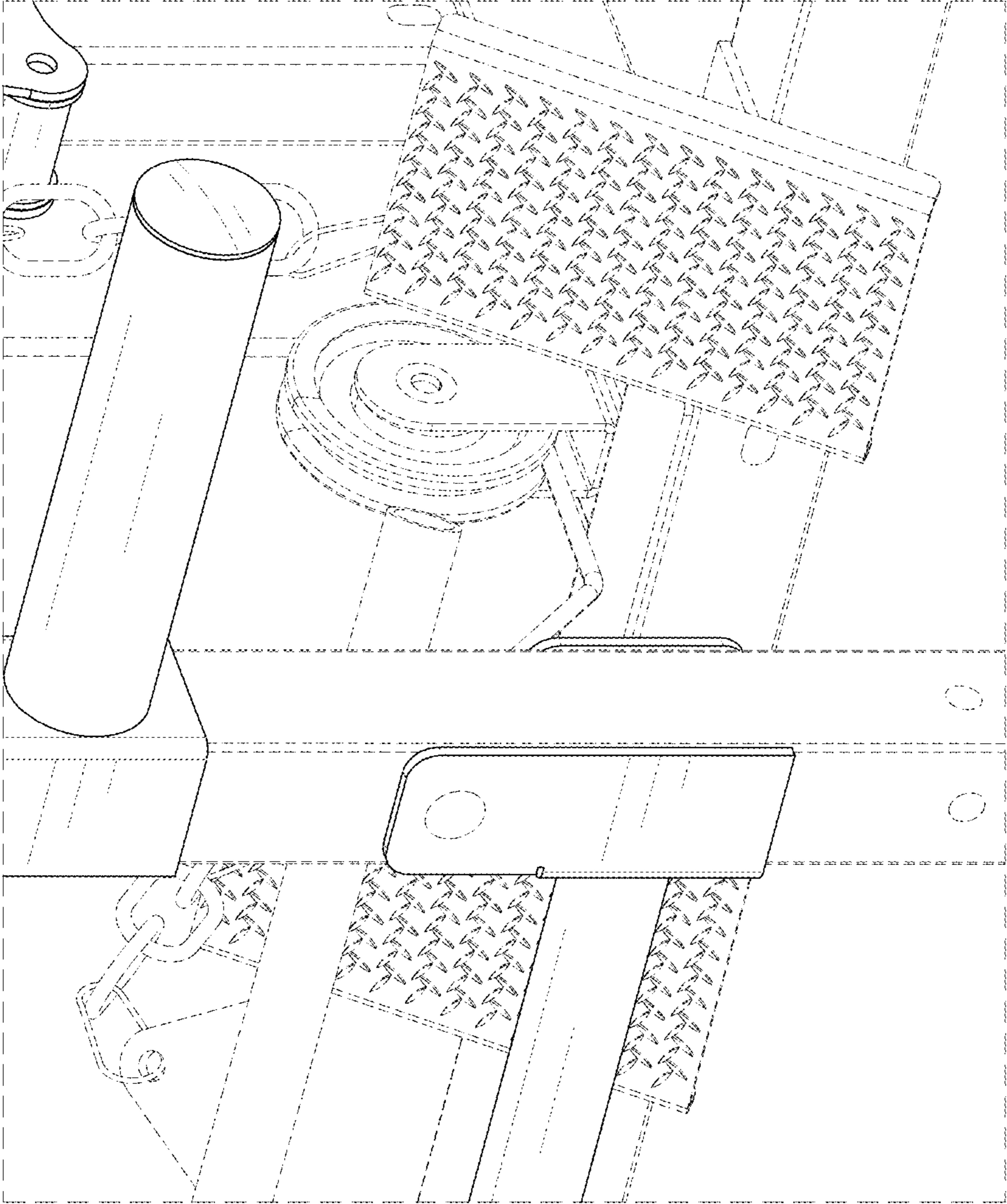


FIG. 20

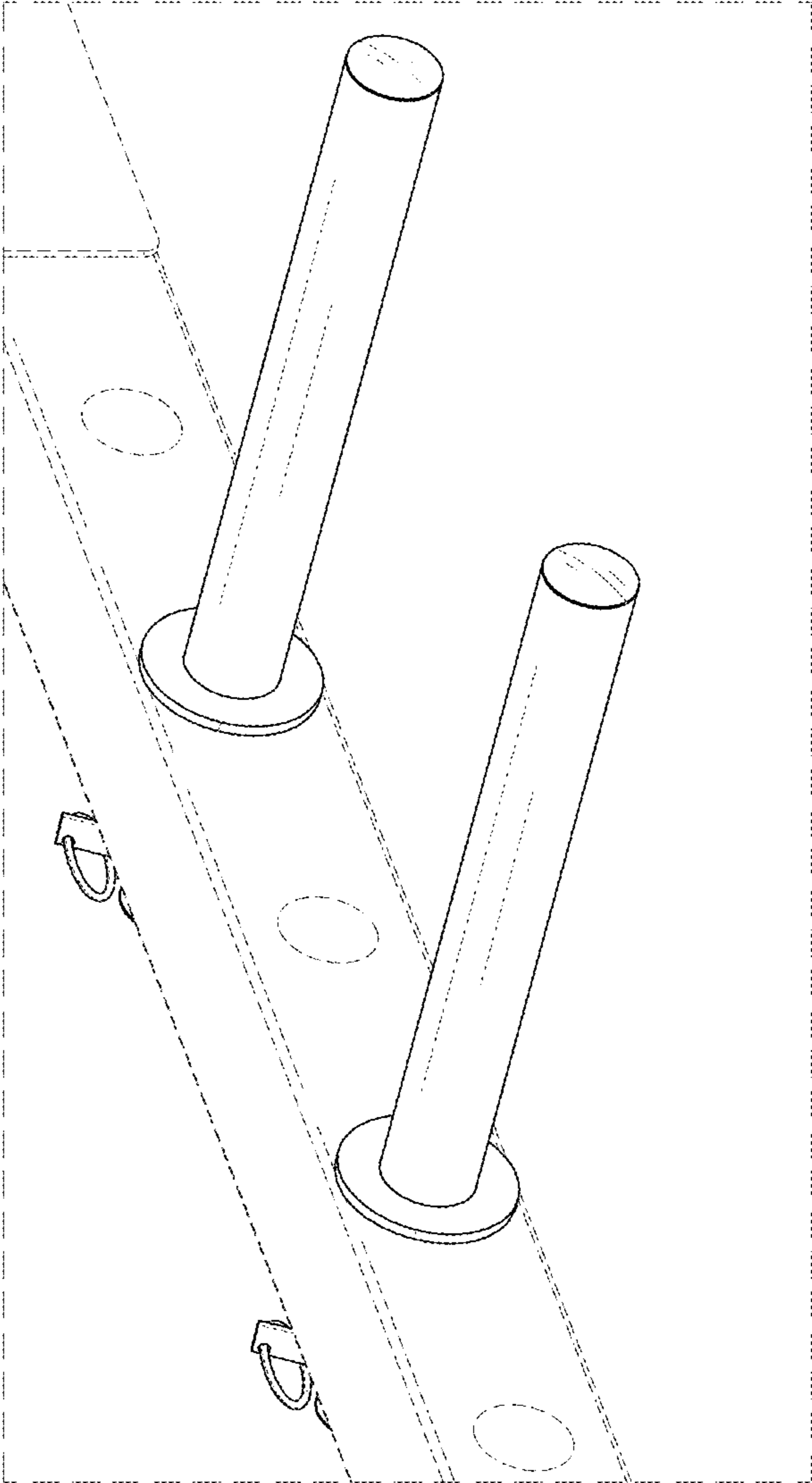


FIG. 21

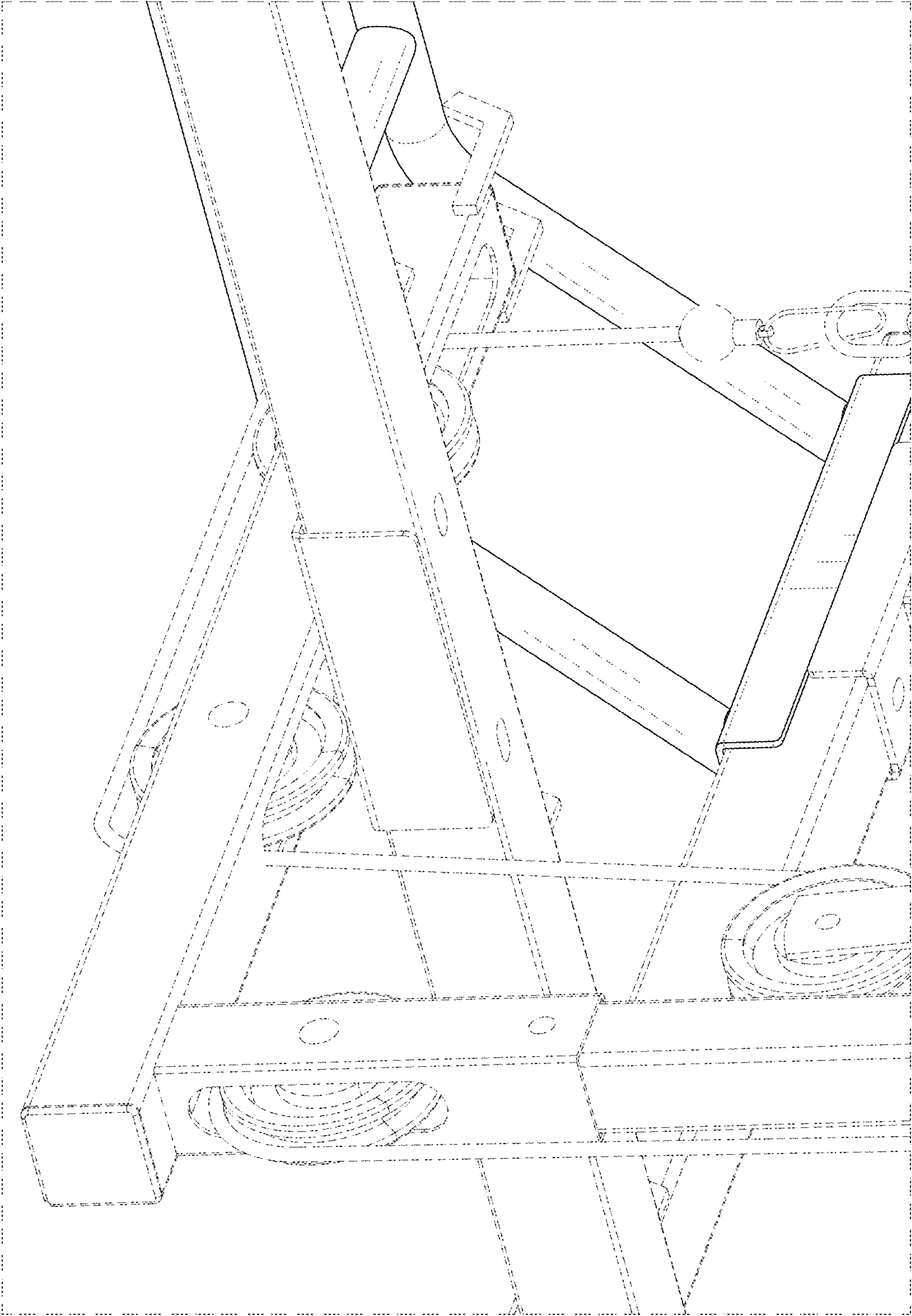


FIG. 22

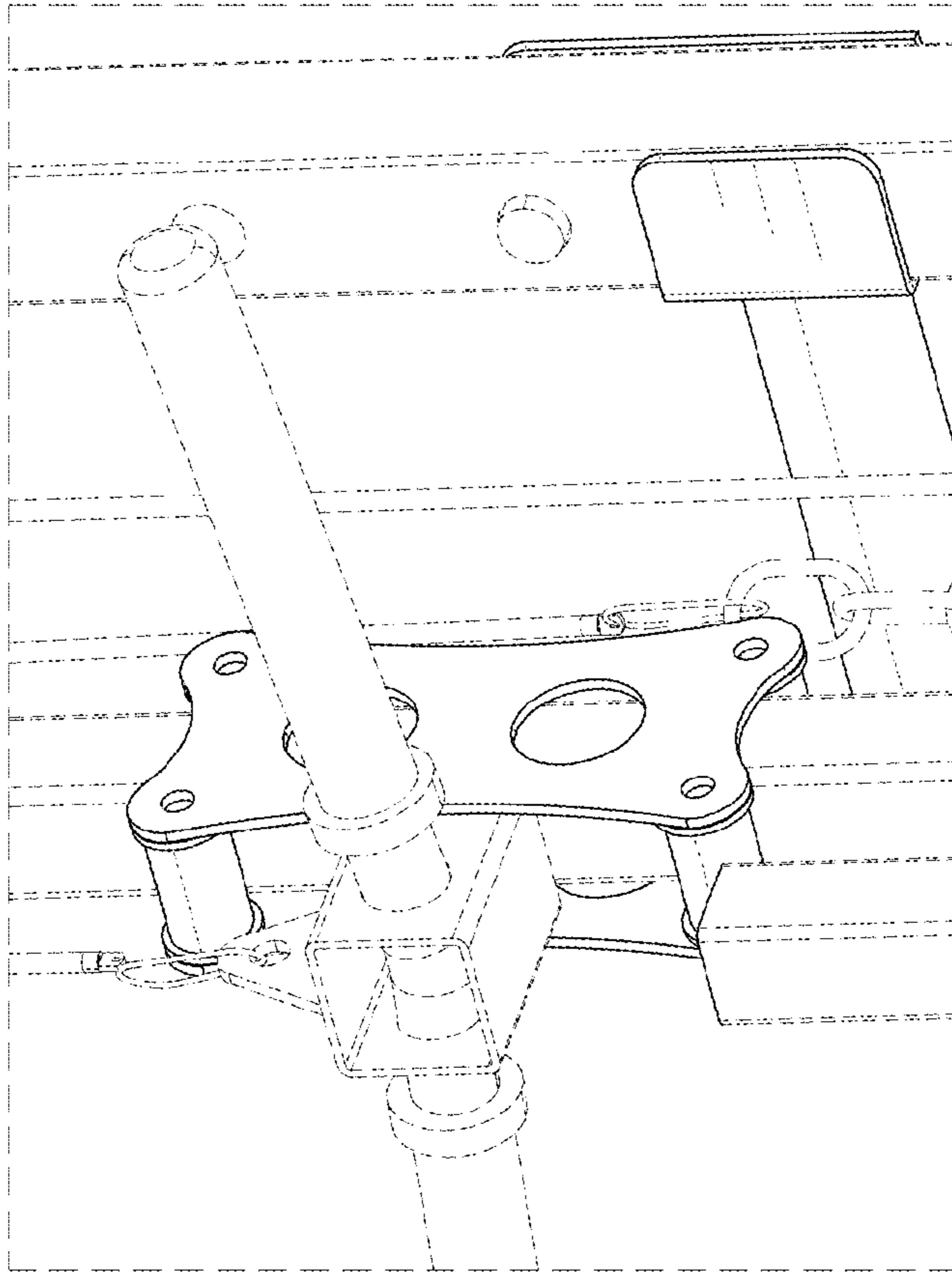


FIG. 24

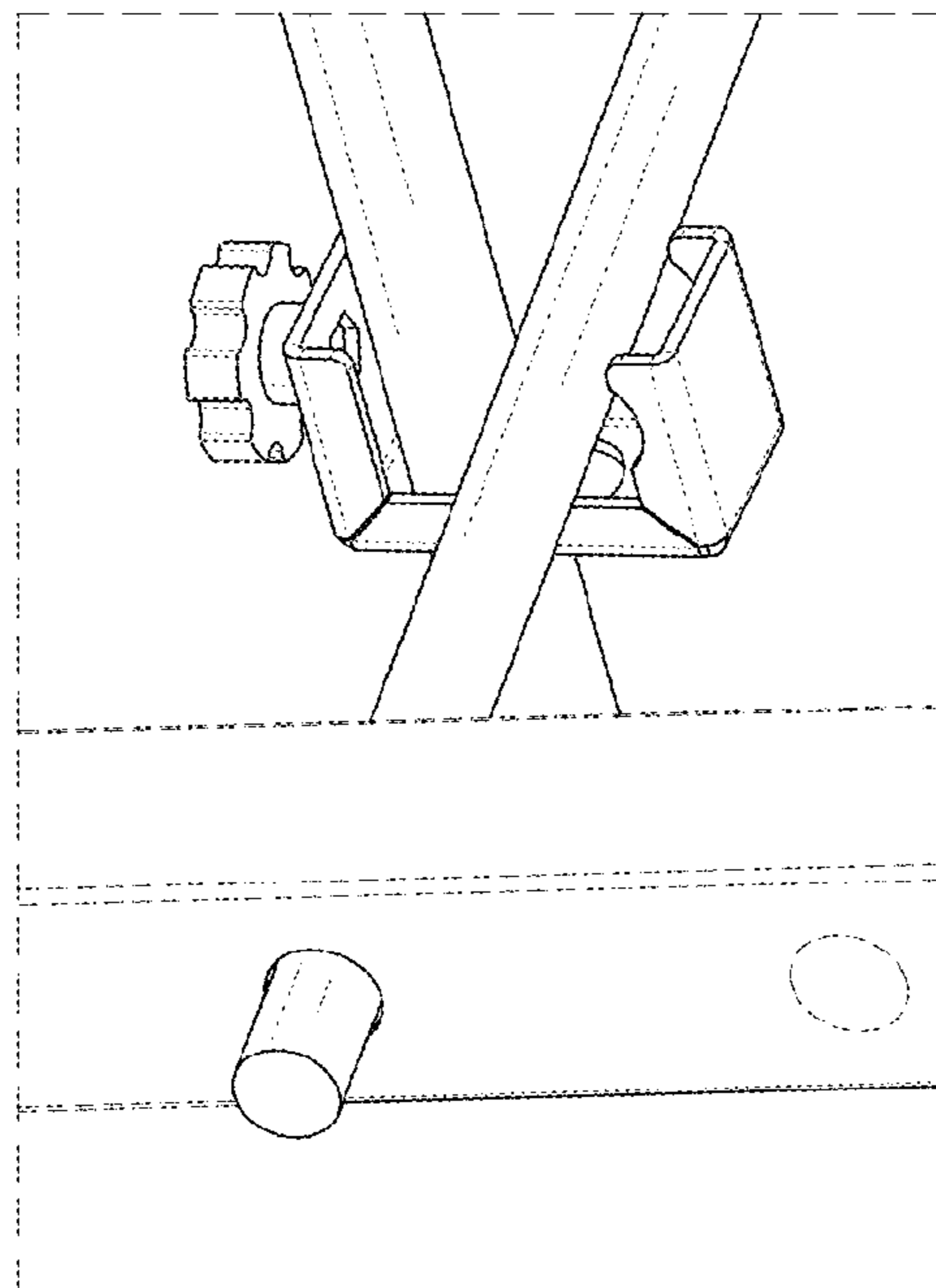


FIG. 23

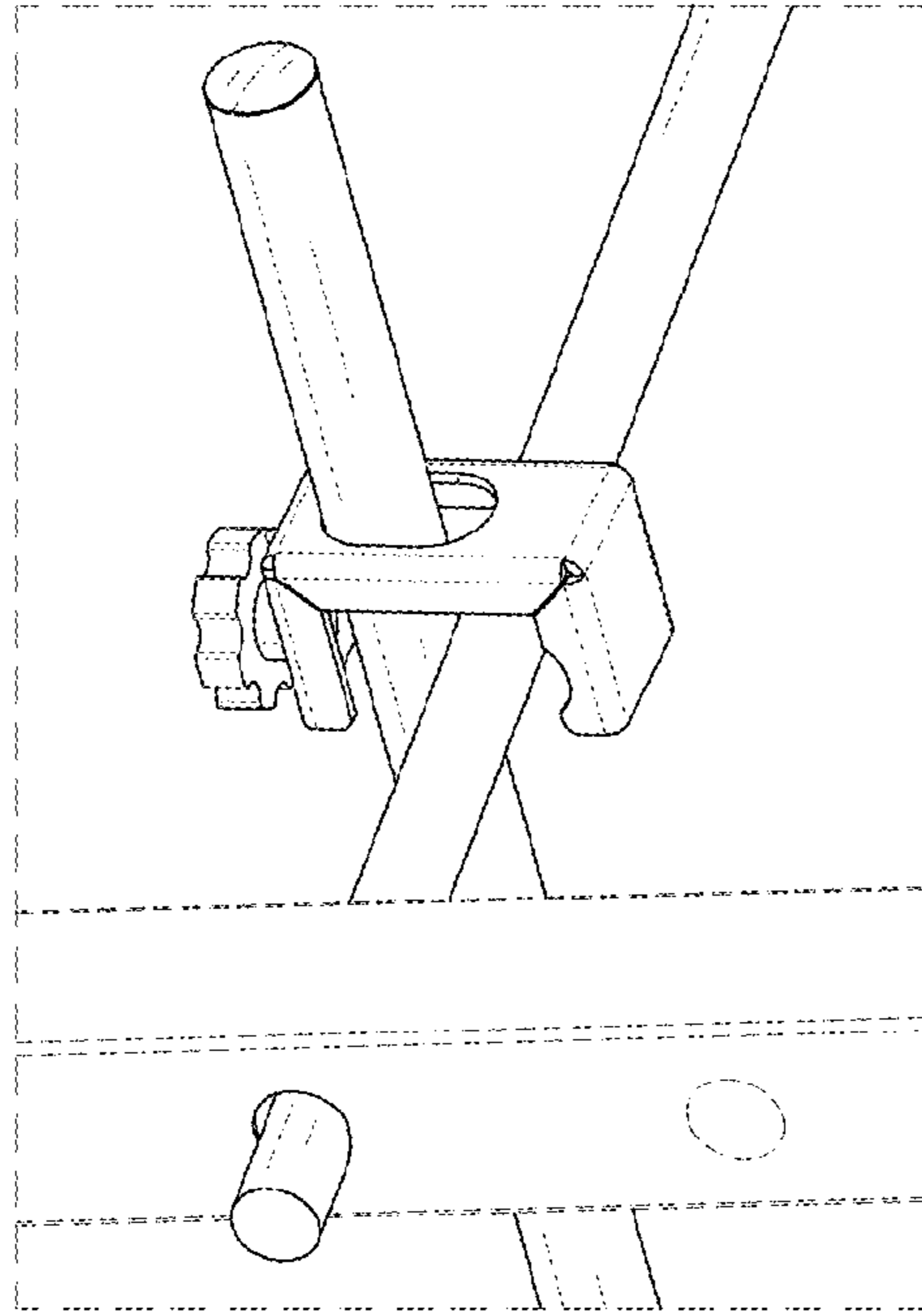


FIG. 26

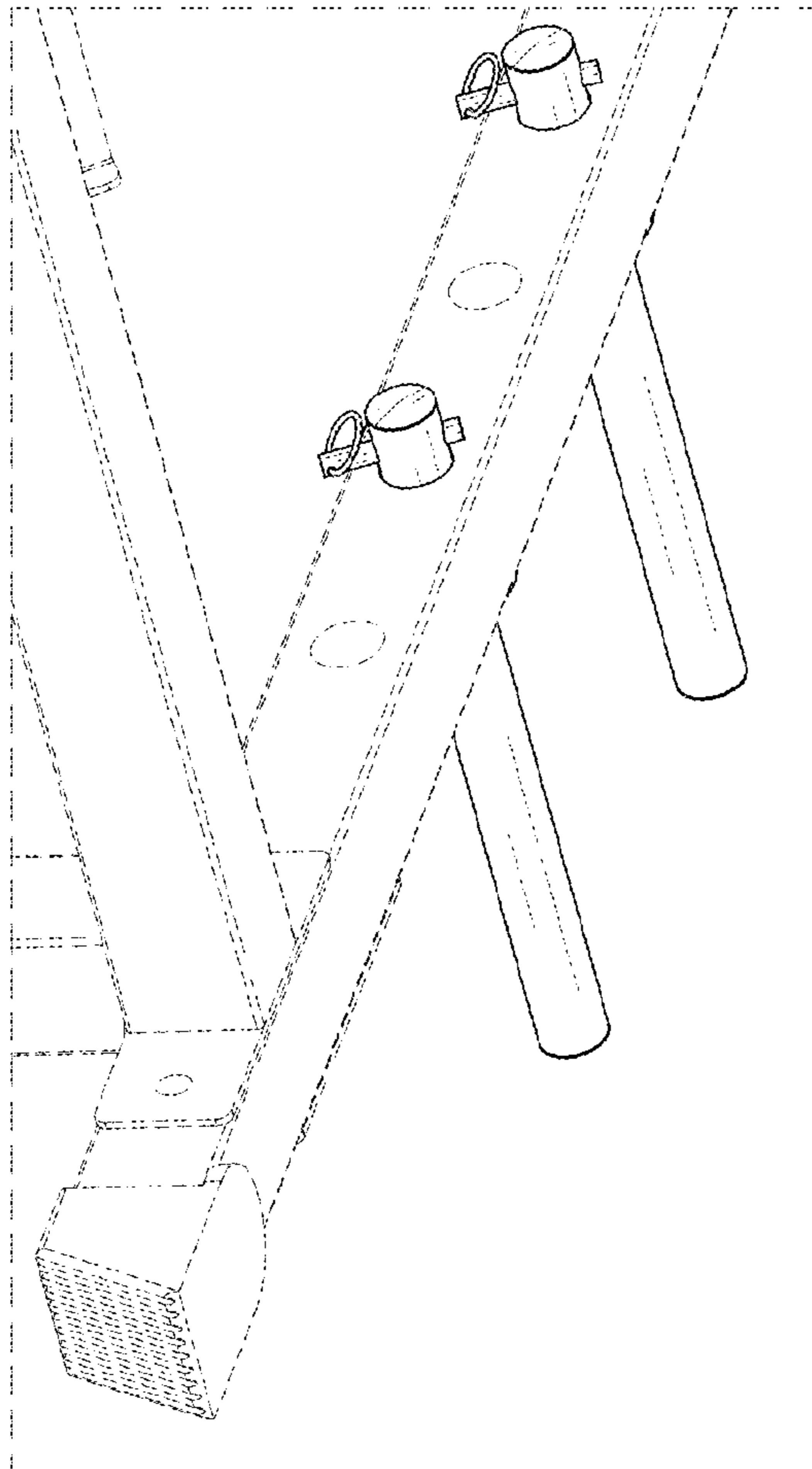


FIG. 25

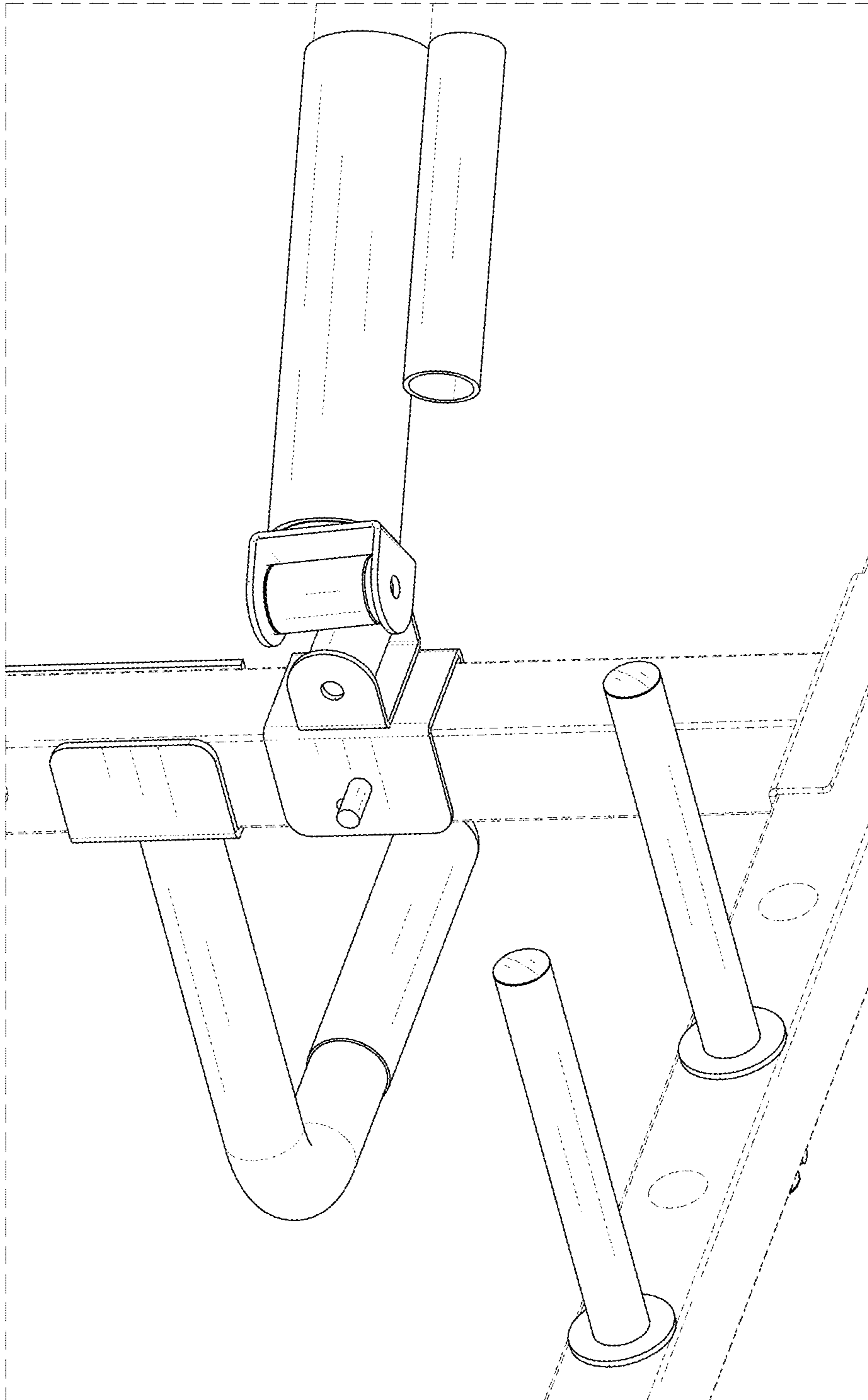


FIG. 27