



US00D974505S

(12) **United States Design Patent**
Gong

(10) **Patent No.:** **US D974,505 S**

(45) **Date of Patent:** **** Jan. 3, 2023**

(54) **FITNESS EQUIPMENT**

(71) Applicant: **XAVORK WOOLIAND INC.**,
Gresham, OR (US)

(72) Inventor: **Hengjie Gong**, Ningbo (CN)

(**) Term: **15 Years**

(21) Appl. No.: **29/830,067**

(22) Filed: **Mar. 10, 2022**

(51) **LOC (14) Cl.** **21-02**

(52) **U.S. Cl.**
USPC **D21/686**

(58) **Field of Classification Search**
USPC D21/814, 686, 694, 677, 679, 692, 703,
D21/715, 765, 756, 691, 662, 826
See application file for complete search history.

(56) **References Cited**

U.S. PATENT DOCUMENTS

3,207,511	A *	9/1965	Hoffman	A63B 17/00 482/145
D302,194	S *	7/1989	Charnitski	D21/686
D358,623	S *	5/1995	Macasieb	A63B 21/078 D21/691
D372,059	S *	7/1996	Taylor	D21/691
5,698,782	A *	12/1997	Gledhill	A63B 23/03533 73/379.03
D408,480	S *	4/1999	Haugo	D21/691
D574,451	S	8/2008	Muramatsu		
D667,063	S *	9/2012	Thompson	D21/691
D735,820	S *	8/2015	Alenaddaf	D21/686
D919,022	S	5/2021	Yang		
11,110,313	B2 *	9/2021	Gore	A63B 21/0783
D933,760	S	10/2021	Qiao		
2013/0343849	A1 *	12/2013	Gobert	A63B 71/0036 414/800
2017/0326408	A1 *	11/2017	Burkhardt	A63B 21/015
2018/0036573	A1 *	2/2018	Lennox	A63B 21/4049
2018/0117382	A1 *	5/2018	Johanson	A63B 21/0626
2018/0353795	A1 *	12/2018	Ostmeyer	A63B 1/00
2019/0269963	A1 *	9/2019	Steenekamp	A63B 1/005
2022/0161092	A1 *	5/2022	Fourney	A63B 69/0057

OTHER PUBLICATIONS

Titan, announced 2018[online], [site visited Sep. 15, 2022], Available on internet, URL:https://www.amazon.com/Titan-Fitness-Machine-Exercise-Bodybuilding/dp/B07JZLT5G4/ref(Year: 2018).*

* cited by examiner

Primary Examiner — Khawaja Anwar

Assistant Examiner — Julice Seung Eun Oum

(74) *Attorney, Agent, or Firm* — Runit Ranjit Kanakia

(57) **CLAIM**

The ornamental design for a fitness equipment, as shown and described.

DESCRIPTION

FIG. 1 is a first perspective view of a fitness equipment showing my new design;

FIG. 2 is a second perspective view thereof;

FIG. 3 is a front view thereof;

FIG. 4 is a back view thereof;

FIG. 5 is a left side view thereof;

FIG. 6 is a right side view thereof;

FIG. 7 is a top view thereof;

FIG. 8 is a bottom view thereof;

FIG. 9 is an enlarged view of the selected portion 9 in FIG. 1;

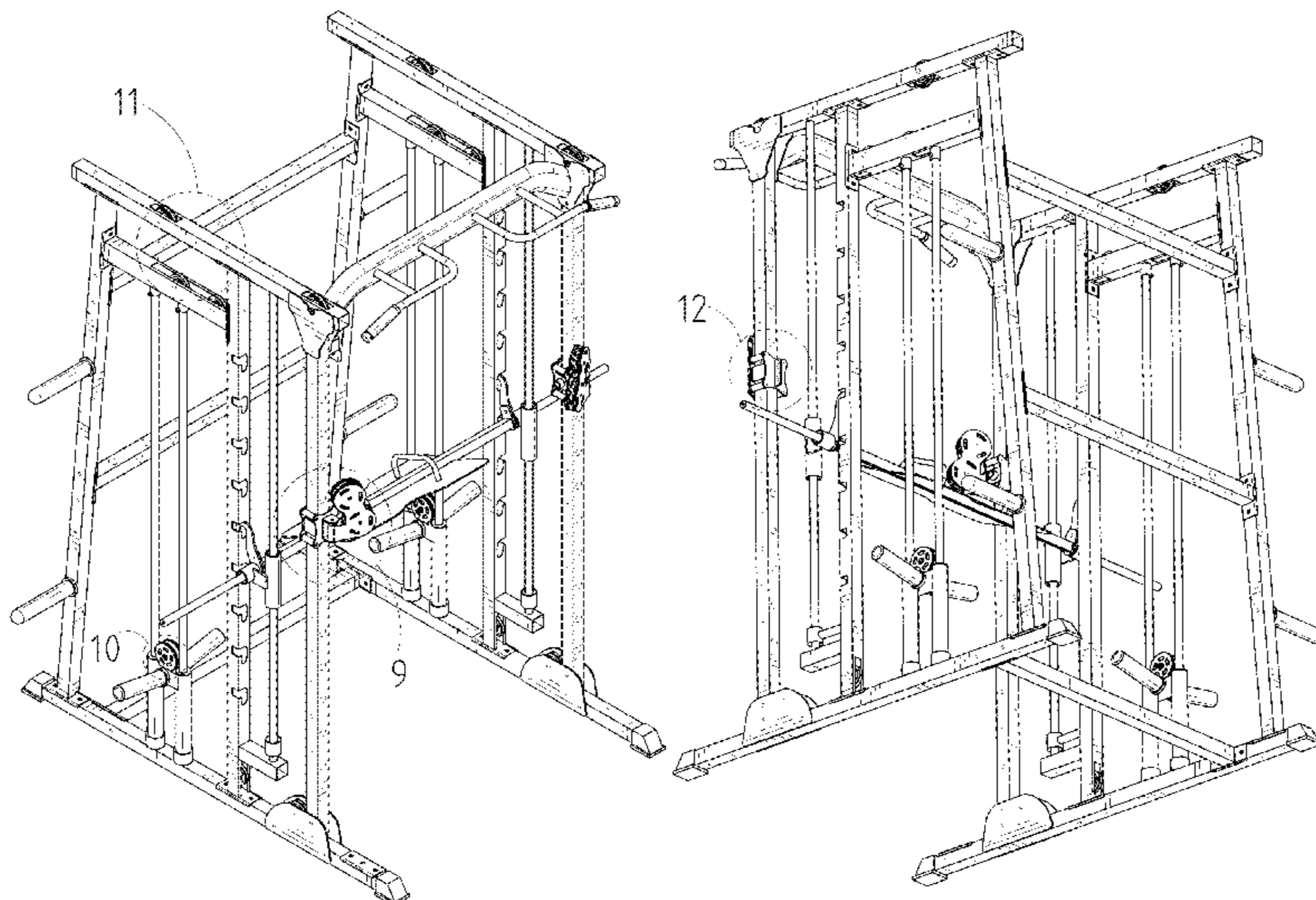
FIG. 10 is an enlarged view of the selected portion 10 in FIG. 1;

FIG. 11 is an enlarged view of the selected portion 11 in FIG. 1; and,

FIG. 12 is an enlarged view of the selected portion 12 in FIG. 2.

The broken lines shown in the drawings depict portions of the fitness equipment that form no part of the claimed design.

1 Claim, 12 Drawing Sheets



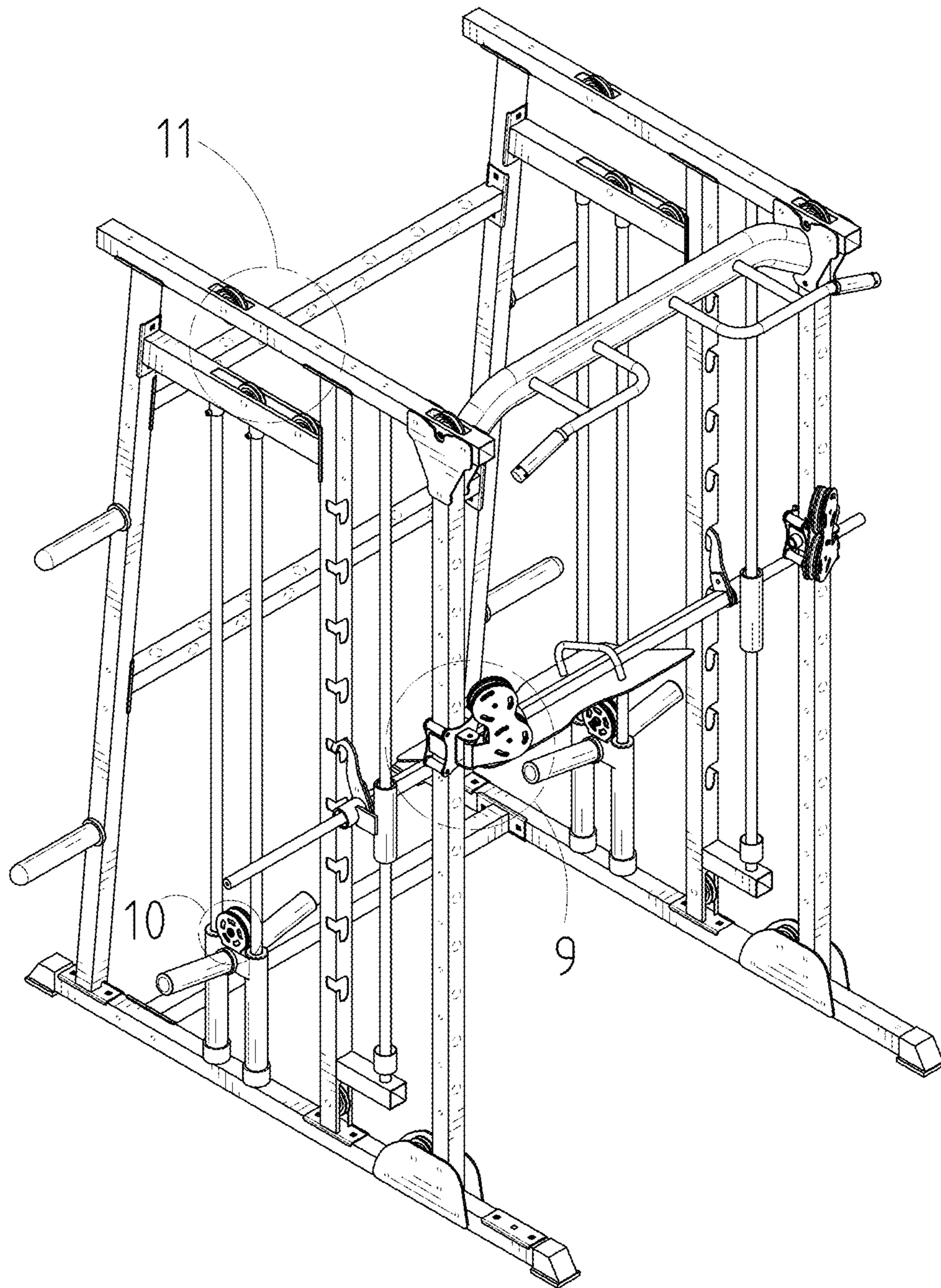


FIG. 1

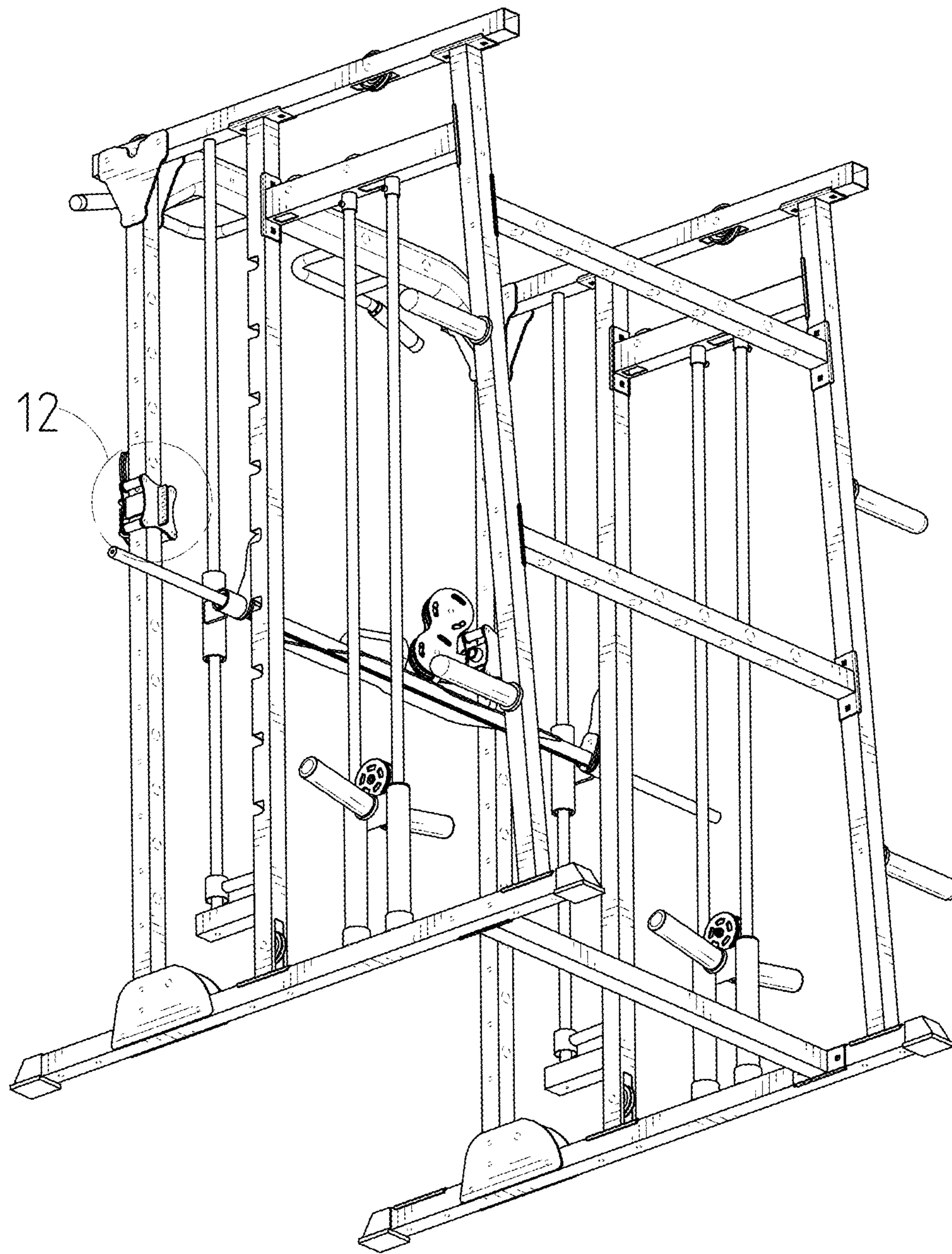


FIG. 2

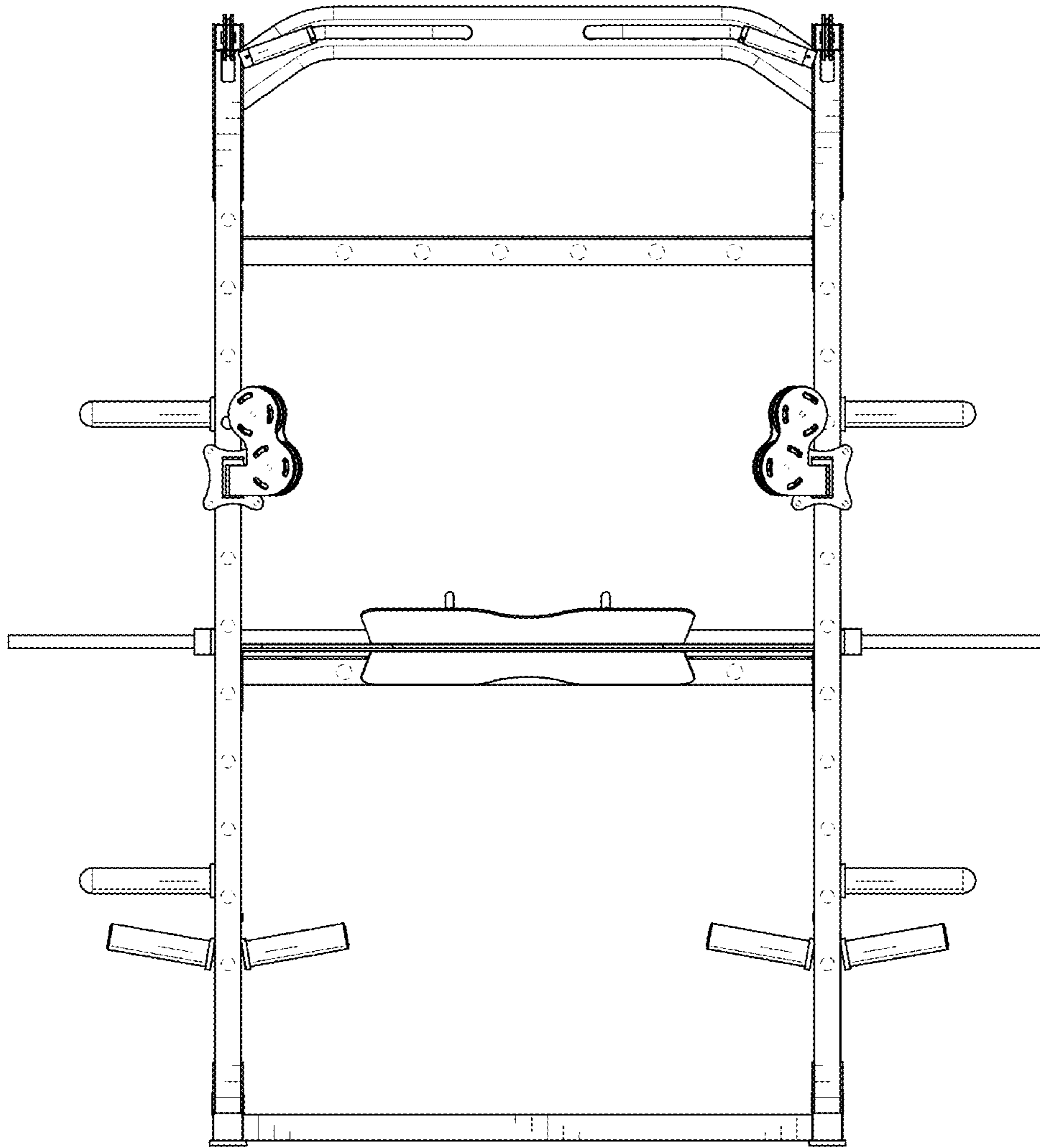


FIG. 3

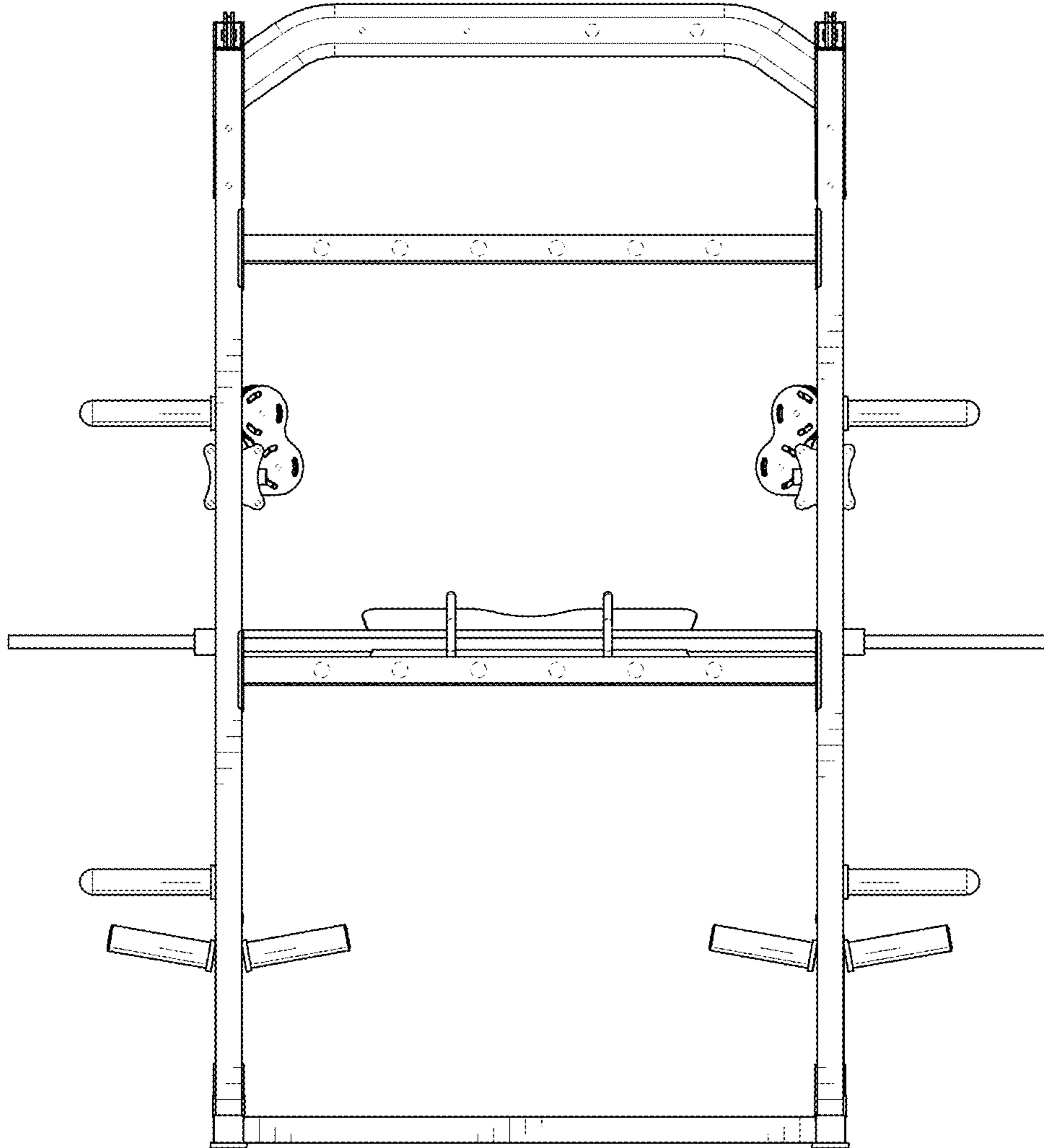


FIG. 4

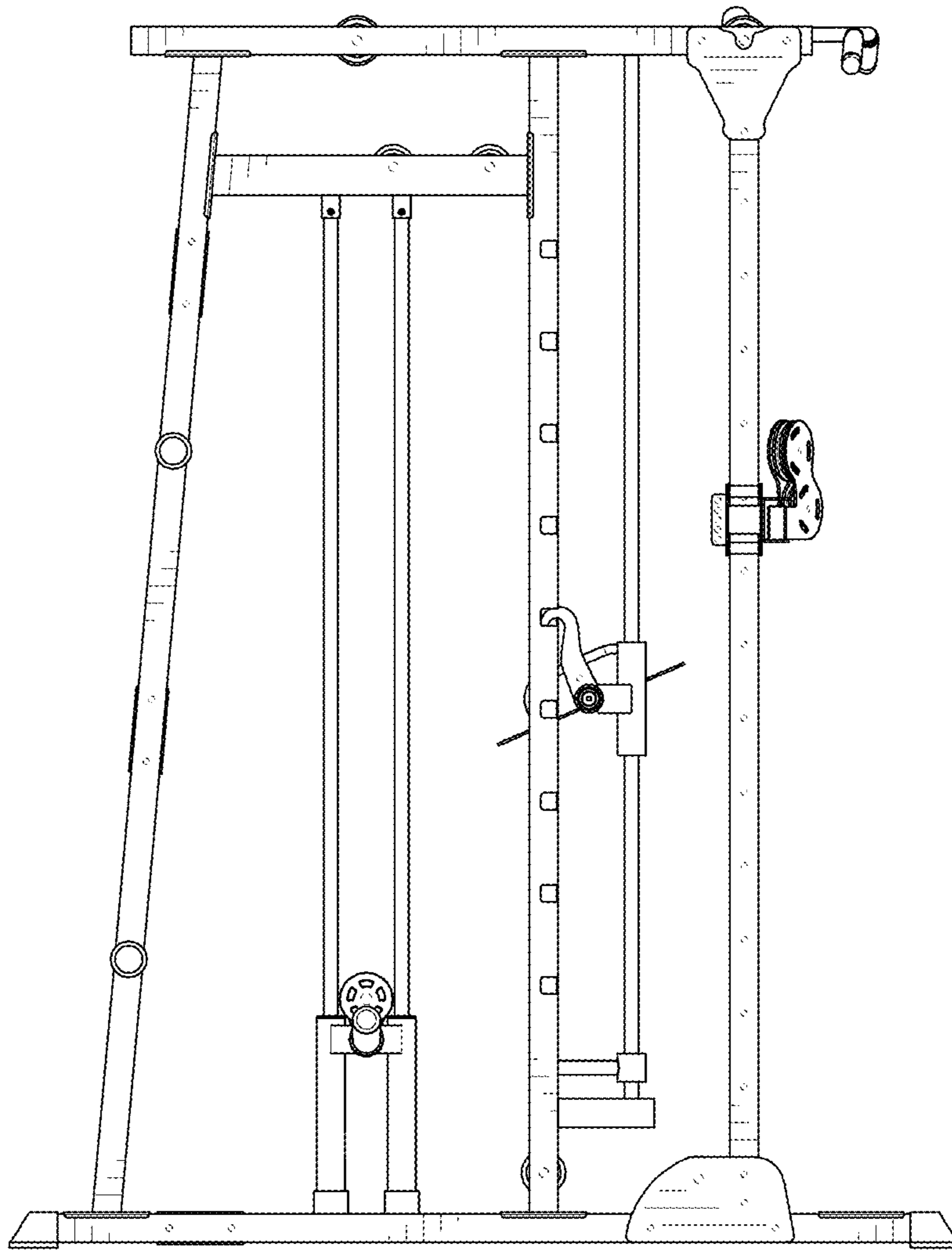


FIG. 5

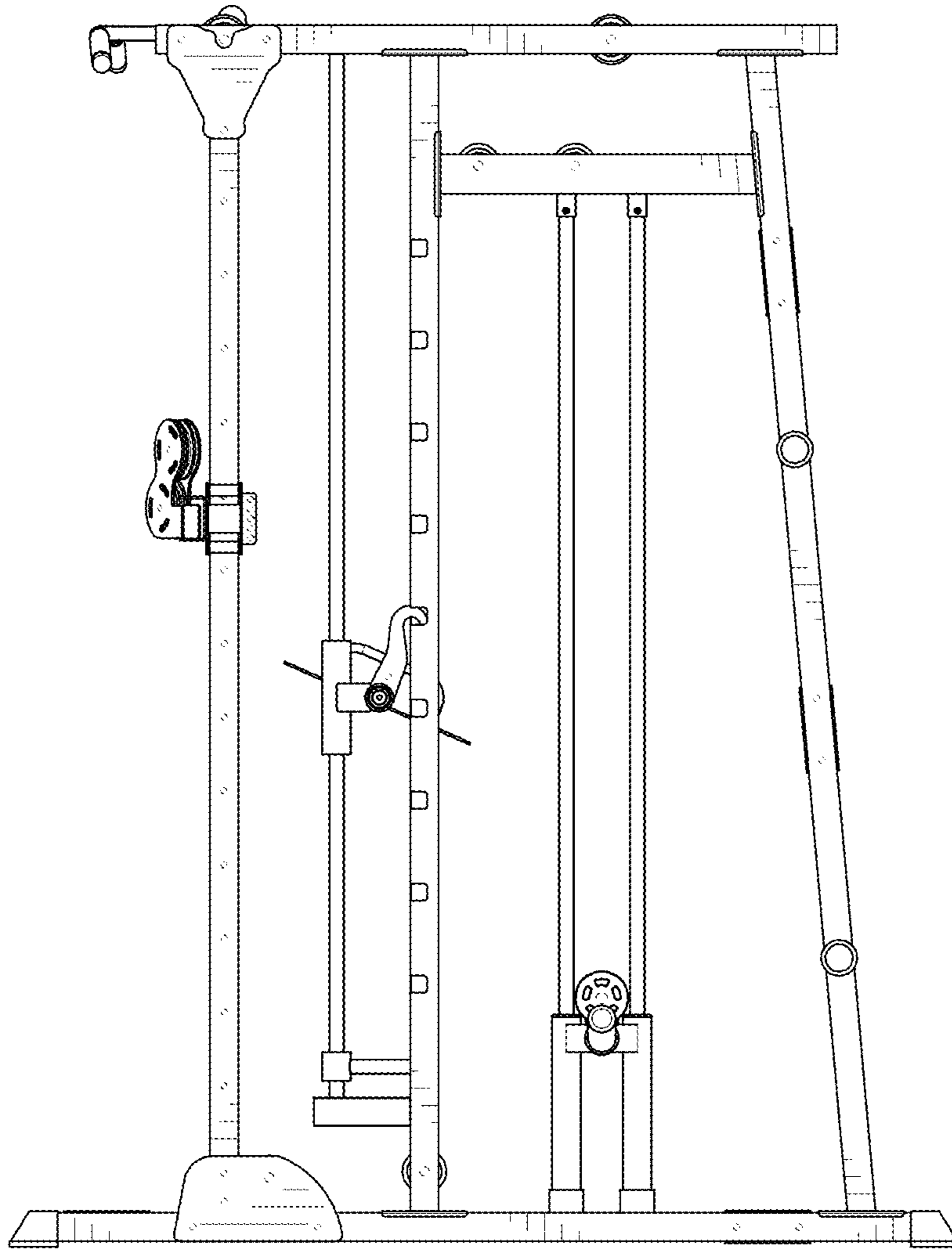


FIG. 6

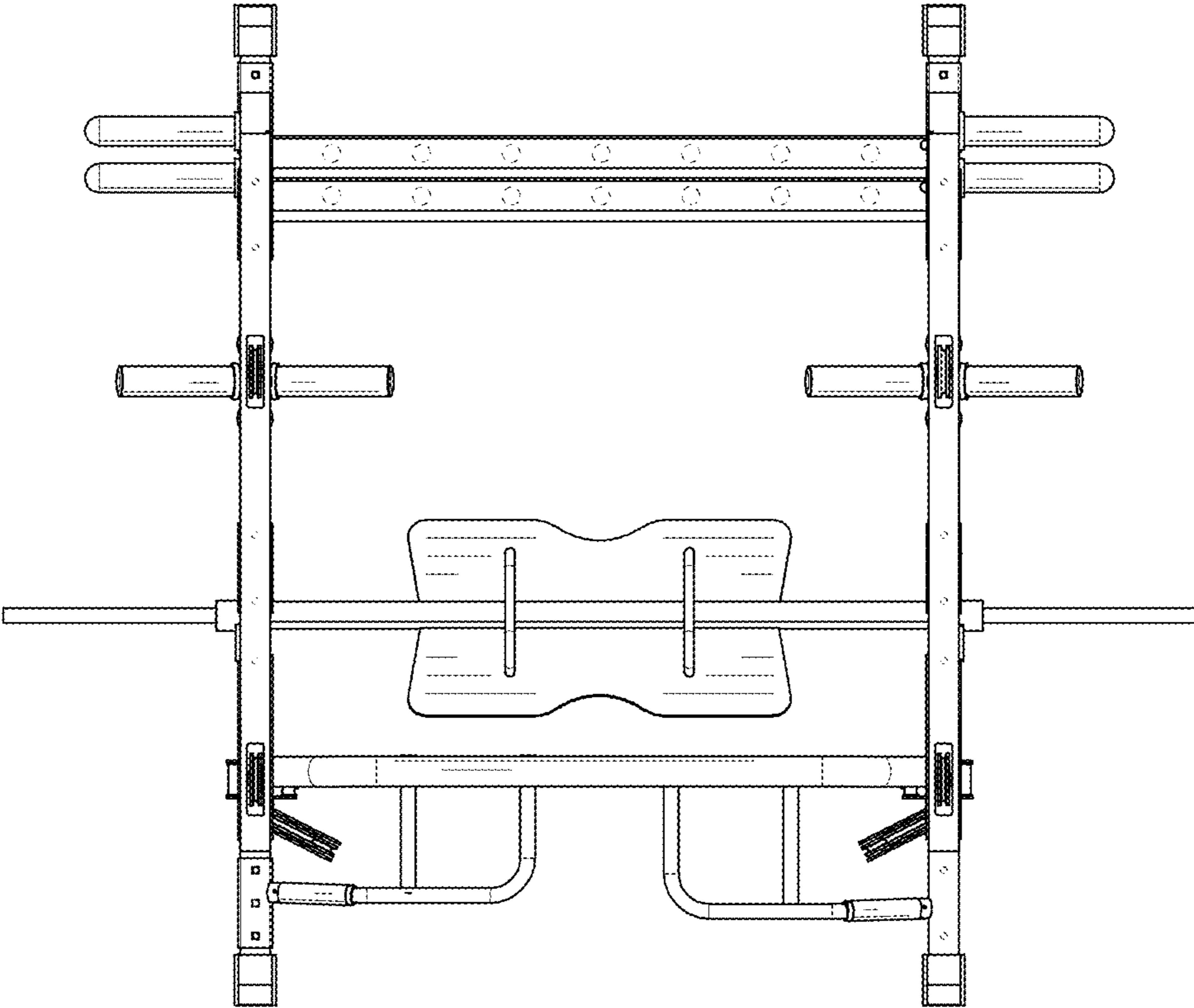


FIG. 7

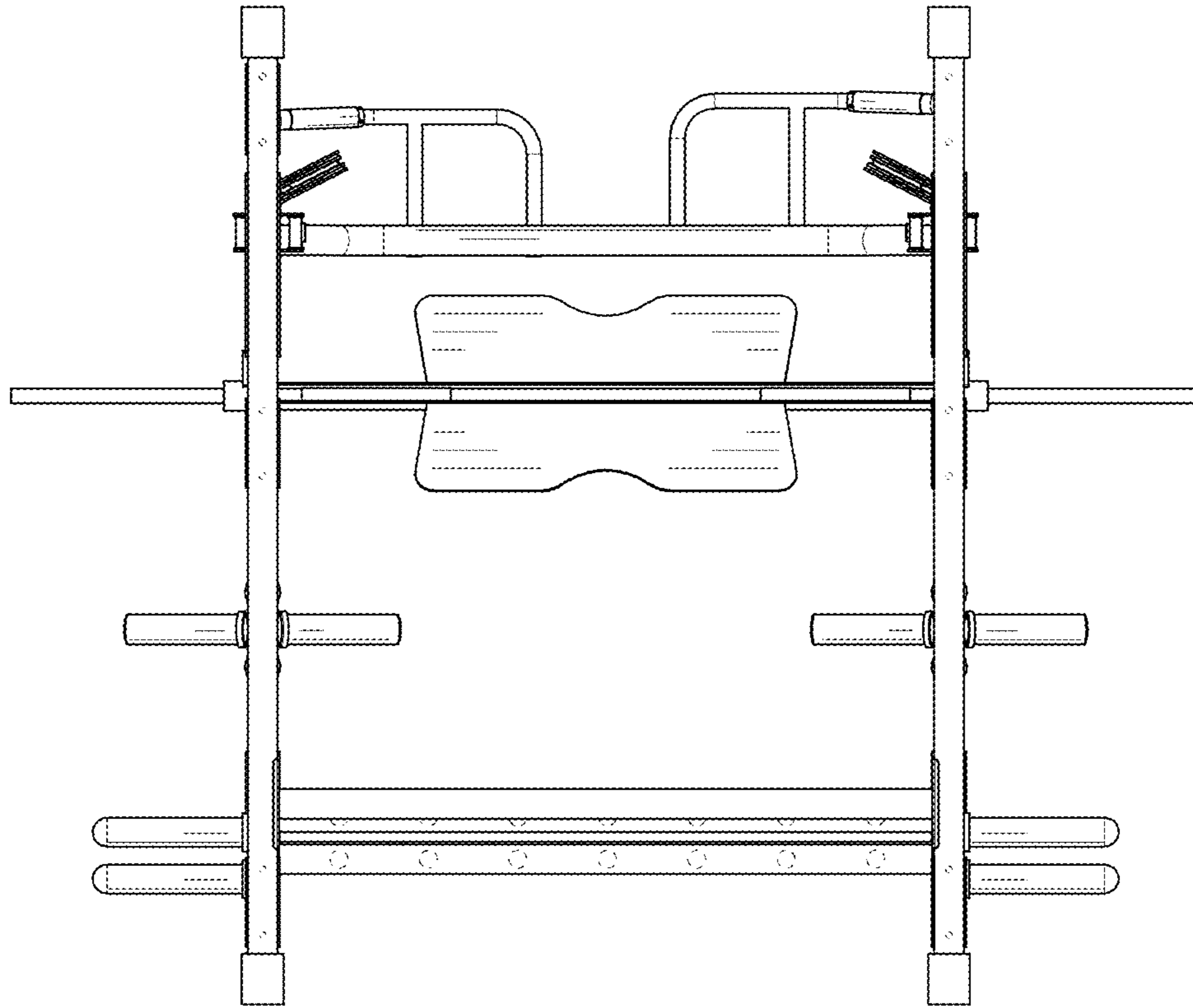


FIG. 8

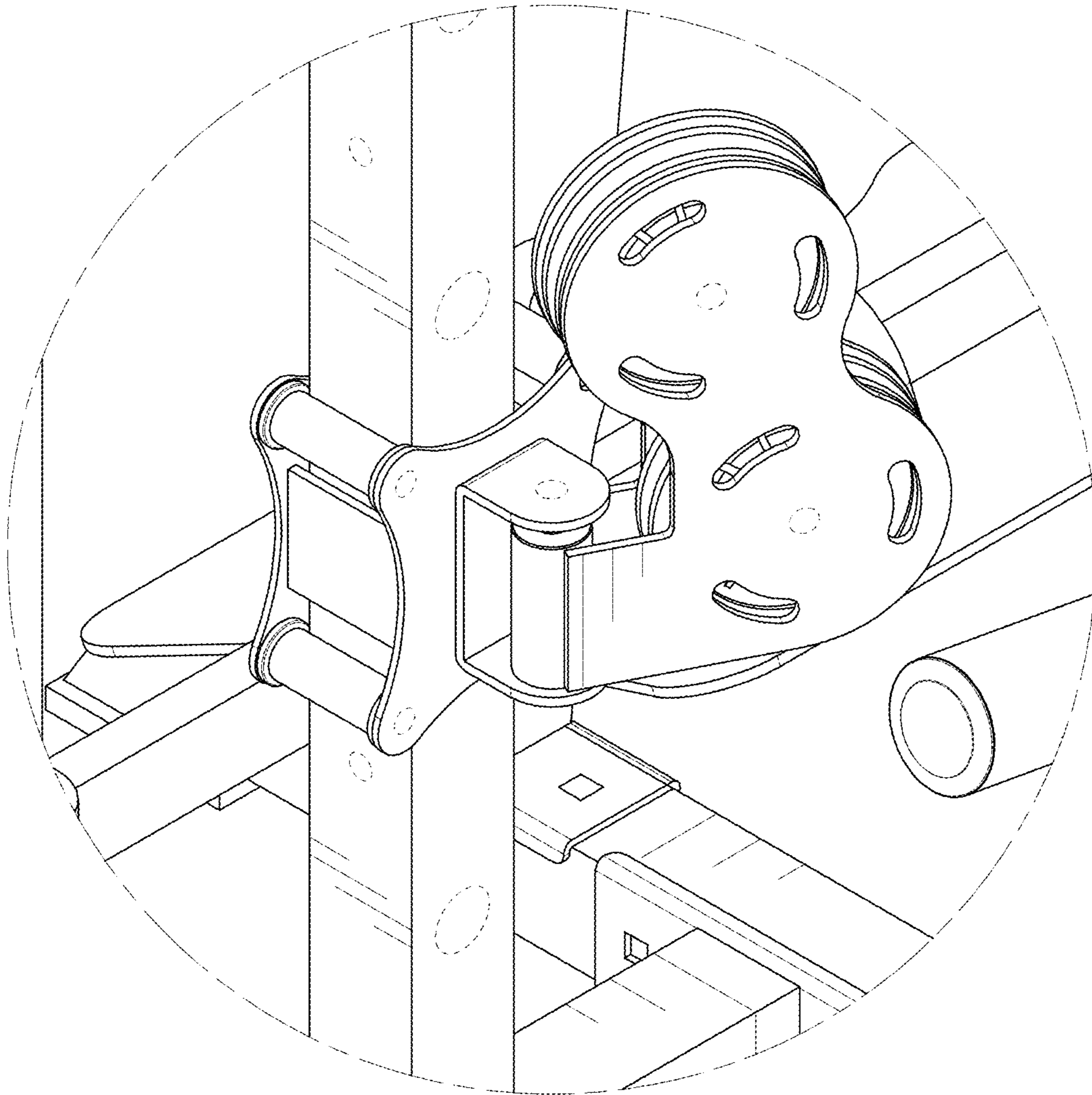


FIG. 9

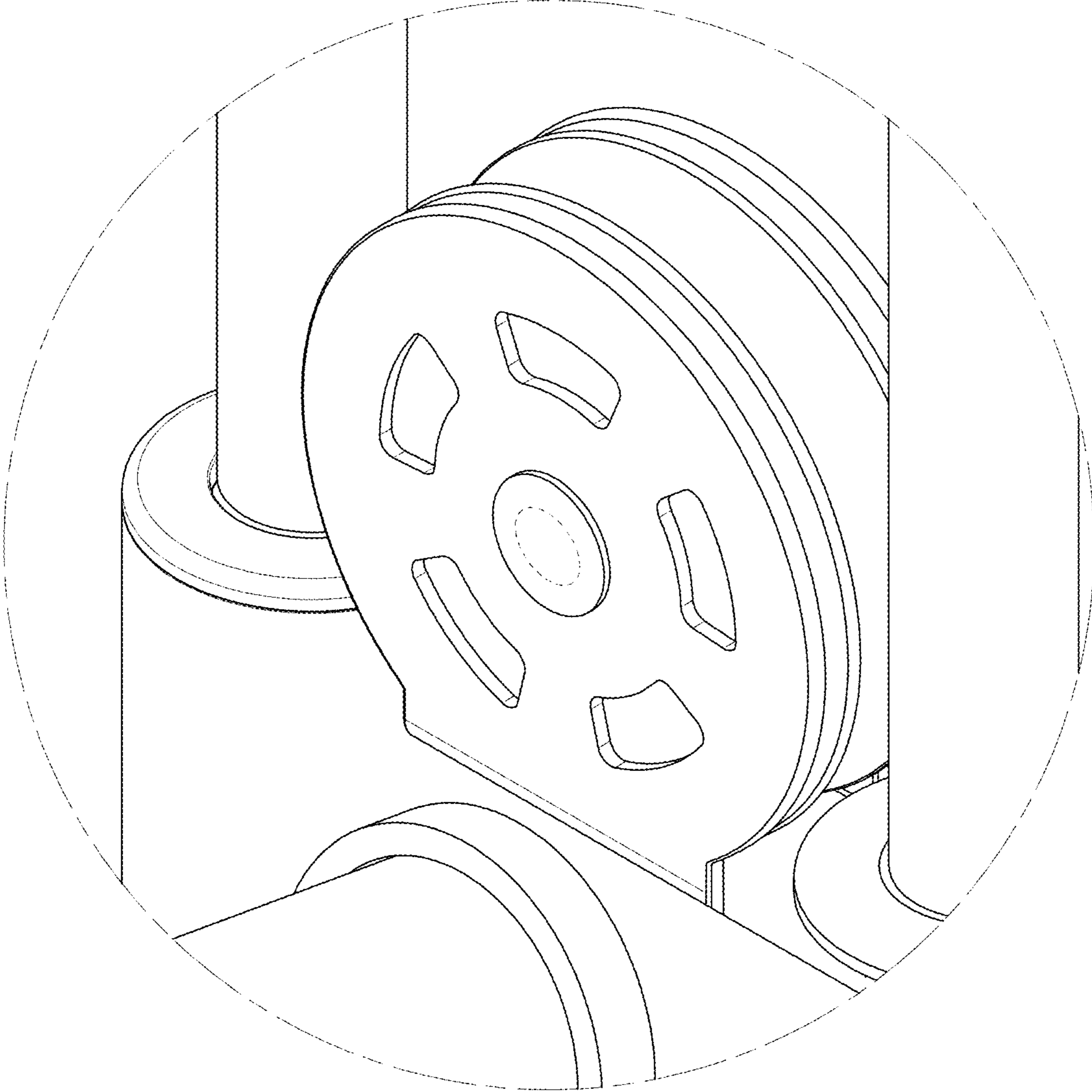


FIG. 10

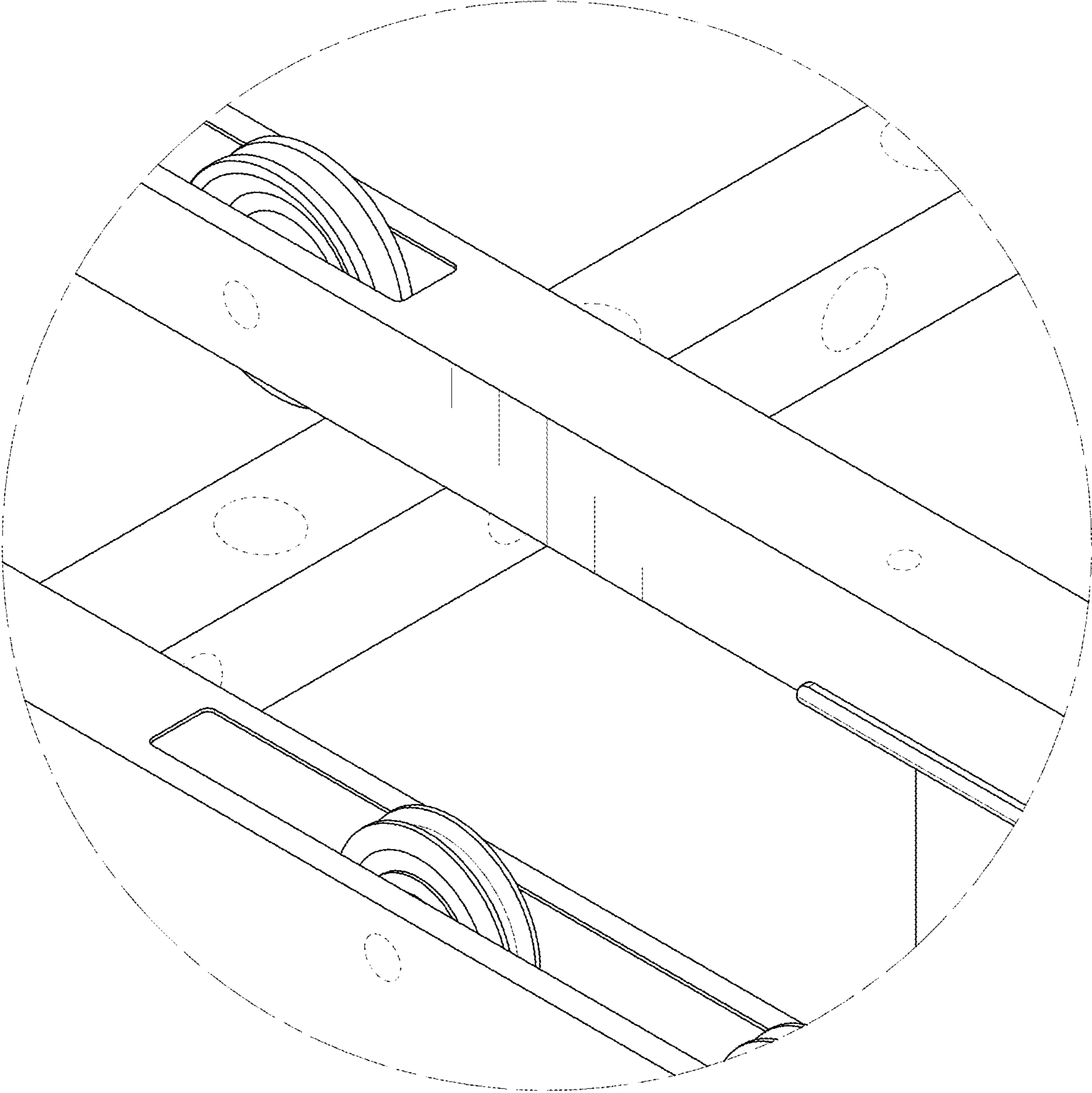


FIG. 11

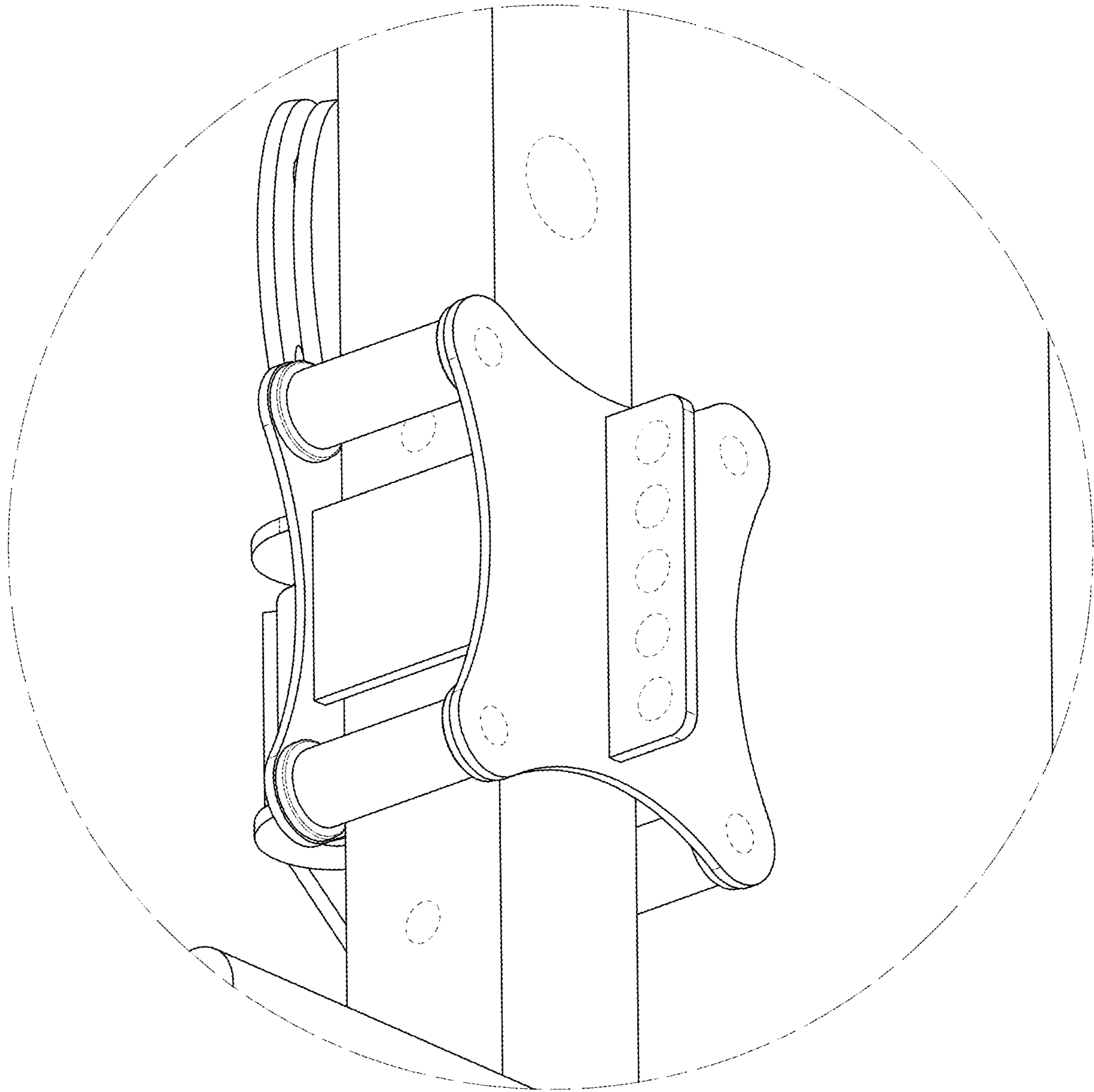


FIG. 12