



US00D974504S

(12) **United States Design Patent**
Gong

(10) **Patent No.:** **US D974,504 S**

(45) **Date of Patent:** **** Jan. 3, 2023**

(54) **FITNESS EQUIPMENT**

(71) Applicant: **XAVORK WOOLIAND INC,**
Gresham, OR (US)

(72) Inventor: **Hengjie Gong,** Ningbo (CN)

(**) Term: **15 Years**

(21) Appl. No.: **29/790,440**

(22) Filed: **Nov. 29, 2021**

(51) **LOC (14) Cl.** **21-02**

(52) **U.S. Cl.**
USPC **D21/686**

(58) **Field of Classification Search**
USPC D21/814, 686, 694, 677, 679, 692, 703,
D21/715, 765, 756, 691, 662, 826
See application file for complete search history.

(56) **References Cited**

U.S. PATENT DOCUMENTS

| | | | | | |
|--------------|------|---------|------------|-------|---------------------------------------|
| 3,207,511 | A * | 9/1965 | Hoffman | | A63B 17/00 482/145 |
| D302,194 | S * | 7/1989 | Charnitski | | D21/686 |
| D358,623 | S * | 5/1995 | Macasieb | | A63B 21/078 D21/691 |
| D372,059 | S * | 7/1996 | Taylor | | D21/691 |
| 5,698,782 | A * | 12/1997 | Gledhill | | A63B 23/03533 73/379.03 D21/691 |
| D408,480 | S * | 4/1999 | Haugo | | D21/691 |
| D574,451 | S | 8/2008 | Muramatsu | | |
| D667,063 | S * | 9/2012 | Thompson | | D21/691 |
| D735,820 | S * | 8/2015 | Alenaddaf | | D21/686 |
| D865,878 | S | 11/2019 | Farinatti | | |
| 11,110,313 | B2 * | 9/2021 | Gore | | A63B 21/0783 |
| D933,760 | S | 10/2021 | Qiao | | |
| 2013/0343849 | A1 * | 12/2013 | Gobert | | A63B 71/0036 414/800 |
| 2017/0326408 | A1 * | 11/2017 | Burkhardt | | A63B 21/015 |

(Continued)

OTHER PUBLICATIONS

Steelbody, announced 2016 [online], [site visited Sep. 15, 2022]. Available on internet, URL: <https://www.amazon.com/Steelbody-Strength-Weightlifting-Bodybuilding-STB-98005/dp/B01DB2DIE8/ref> (Year: 2016).*

(Continued)

Primary Examiner — Khawaja Anwar

Assistant Examiner — Julice Seung Eun Oum

(74) *Attorney, Agent, or Firm* — Rumit Ranjit Kanakia

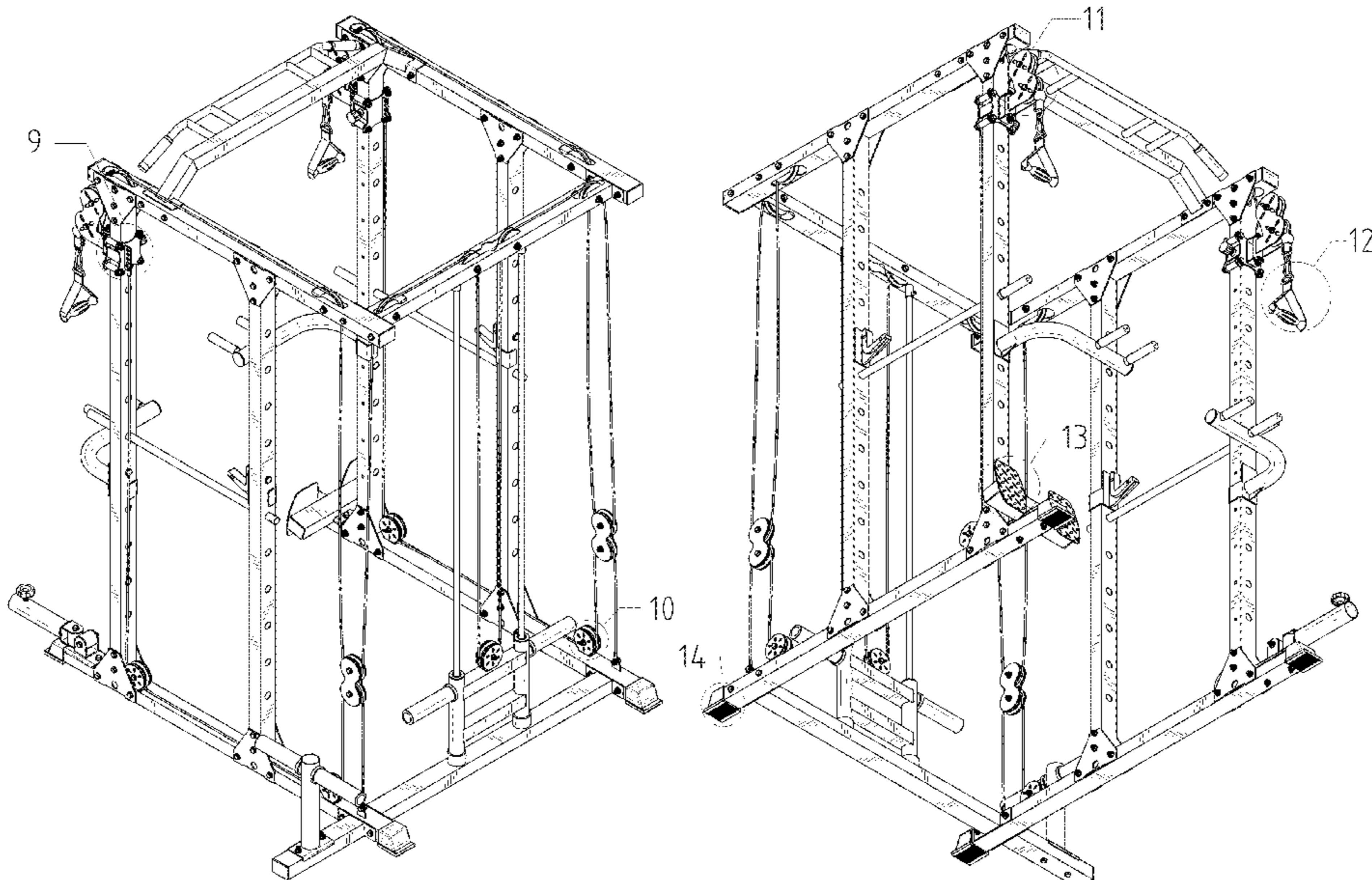
(57) **CLAIM**

The ornamental design for a fitness equipment, as shown and described.

DESCRIPTION

FIG. 1 is a first perspective view of a fitness equipment showing my new design;
FIG. 2 is a second perspective view thereof;
FIG. 3 is a front view thereof;
FIG. 4 is a back view thereof;
FIG. 5 is a left side view thereof;
FIG. 6 is a right side view thereof;
FIG. 7 is a top view thereof;
FIG. 8 is a bottom view thereof;
FIG. 9 is an enlarged view of the selected portion in FIG. 1;
FIG. 10 is an enlarged view of the selected portion in FIG. 1;
FIG. 11 is an enlarged view of the selected portion in FIG. 2;
FIG. 12 is an enlarged view of the selected portion in FIG. 2;
FIG. 13 is an enlarged view of the selected portion in FIG. 2; and,
FIG. 14 is an enlarged view of the selected portion in FIG. 2.

1 Claim, 14 Drawing Sheets



(56)

References Cited

U.S. PATENT DOCUMENTS

2018/0036573 A1* 2/2018 Lennox A63B 21/4049
2018/0117382 A1* 5/2018 Johanson A63B 21/0626
2018/0353795 A1* 12/2018 Ostmeyer A63B 1/00
2019/0269963 A1* 9/2019 Steenekamp A63B 1/005
2022/0161092 A1* 5/2022 Fourney A63B 69/0057

OTHER PUBLICATIONS

Fitness reality, announced 2017 [online], [site visited Sep. 15, 2022]. Available on internet, URL:<https://www.amazon.com/Fitness-Reality-X-Class-Commercial-Capacity/dp/B01N7Z2GGN/ref> (Year: 2017).*

Fitness reality, announced 2019 [online], [site visited Sep. 15, 2022]. Available on internet, URL:<https://www.amazon.com/Fitness-Reality-810XLT-Super-Attachment/dp/B07PVDCMJZ/ref> (Year: 2019).*

* cited by examiner

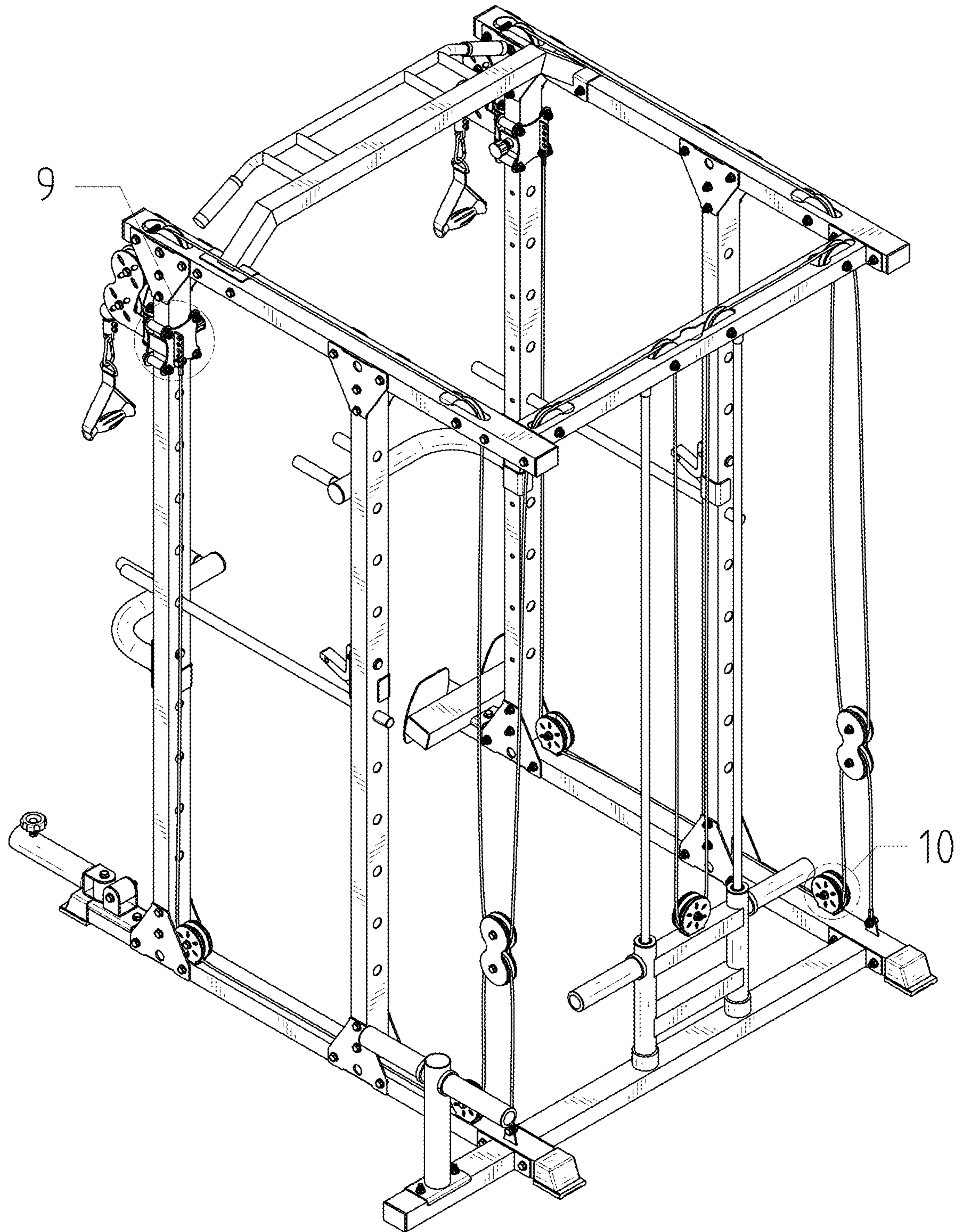


FIG. 1

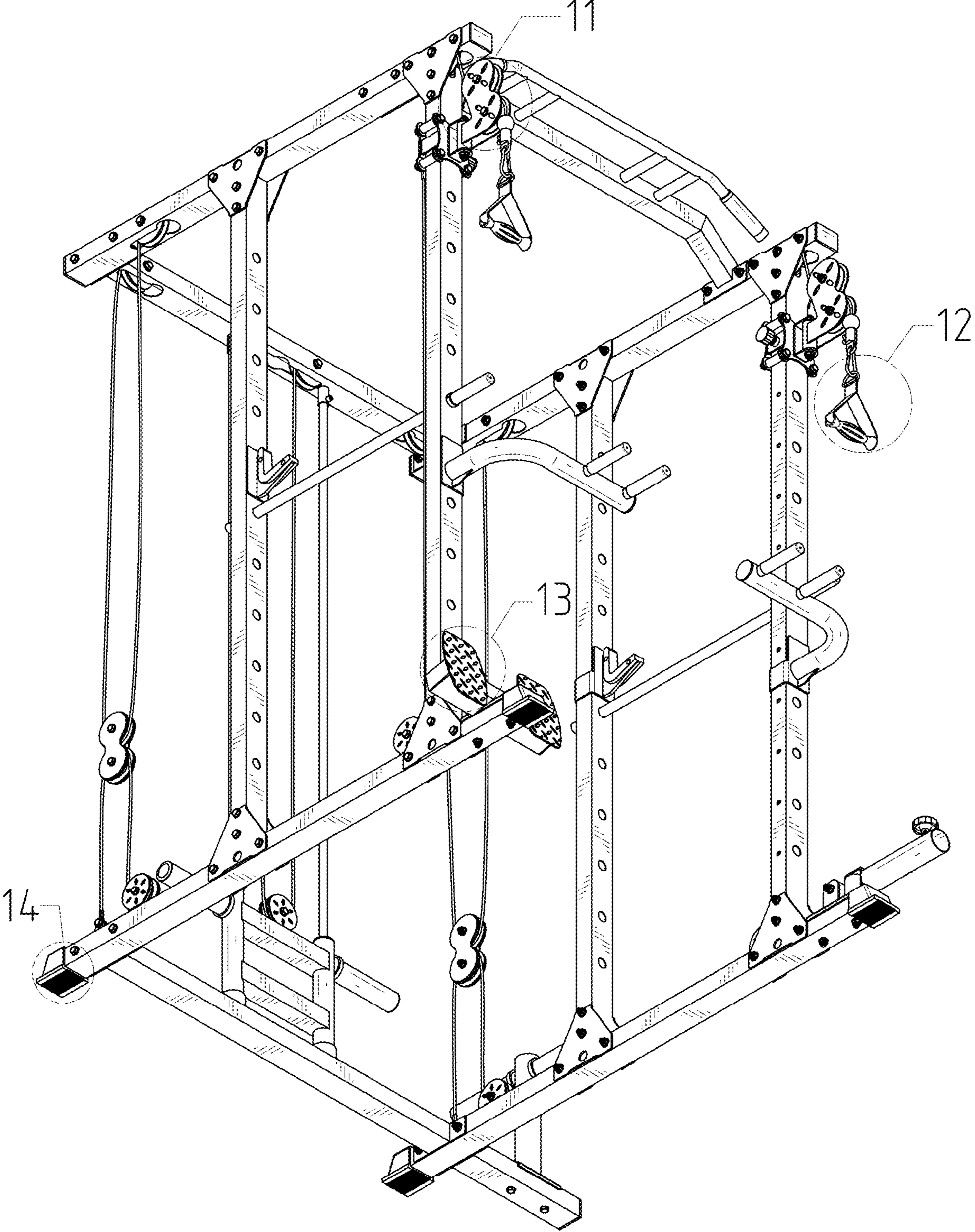


FIG. 2

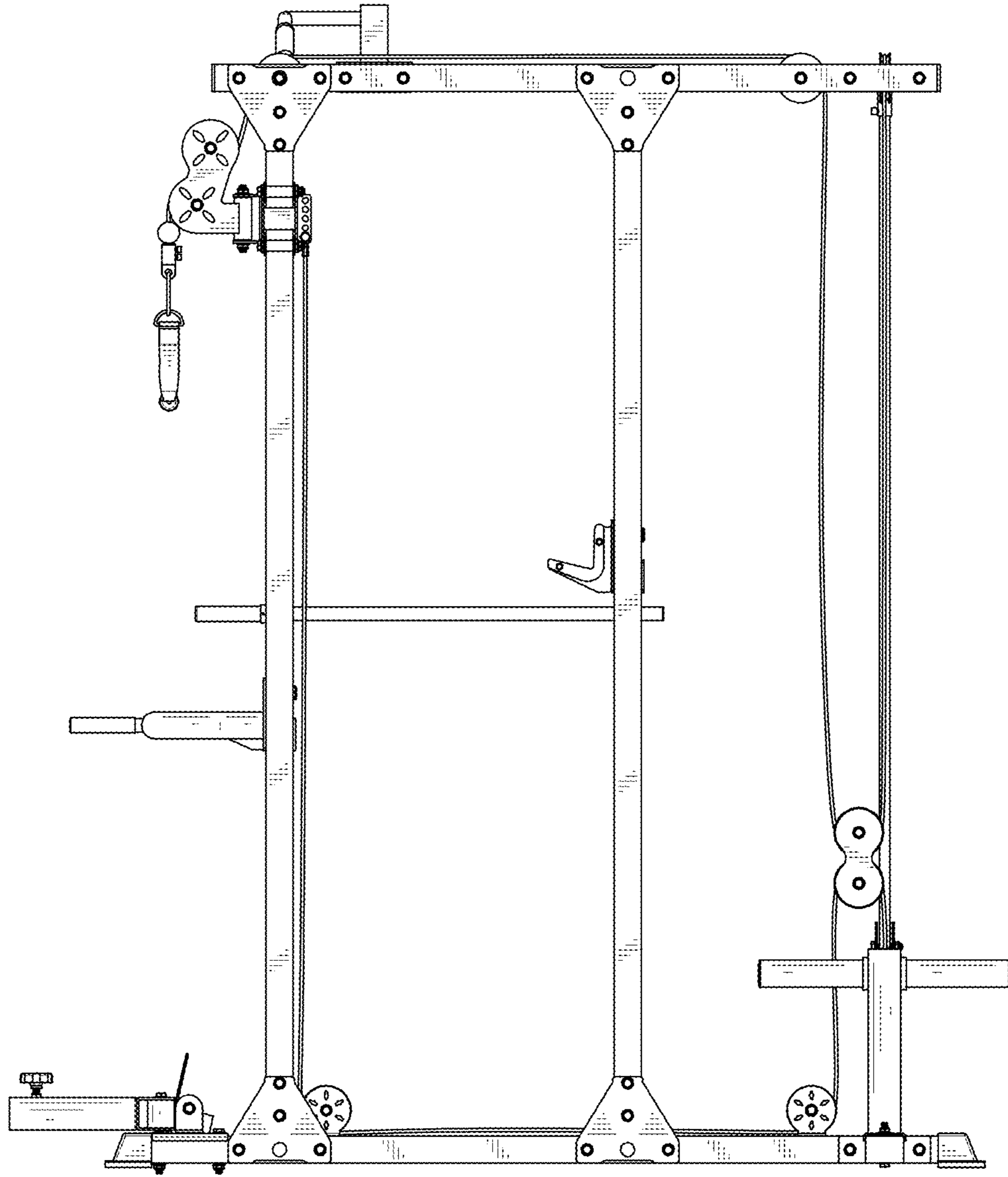


FIG. 3

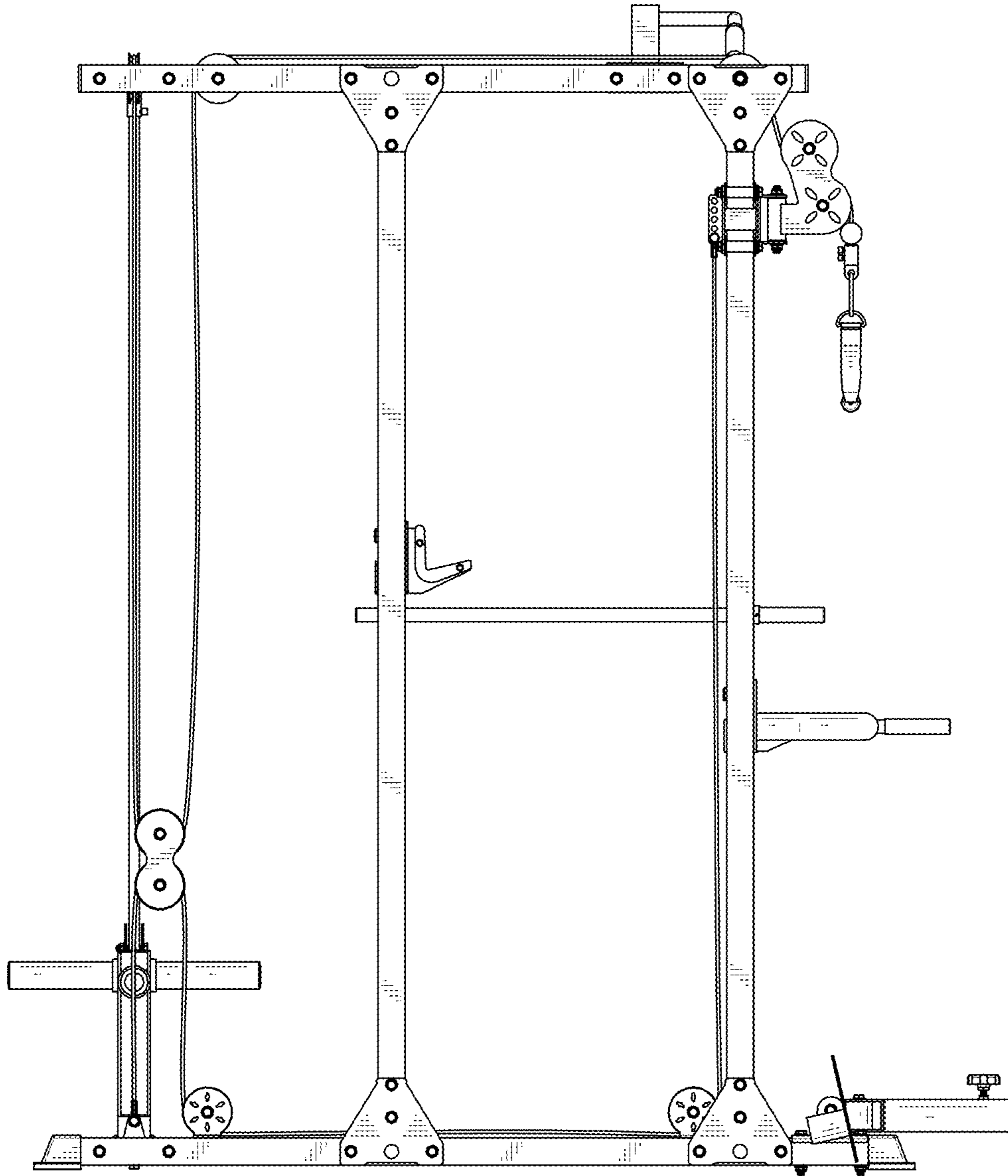


FIG. 4

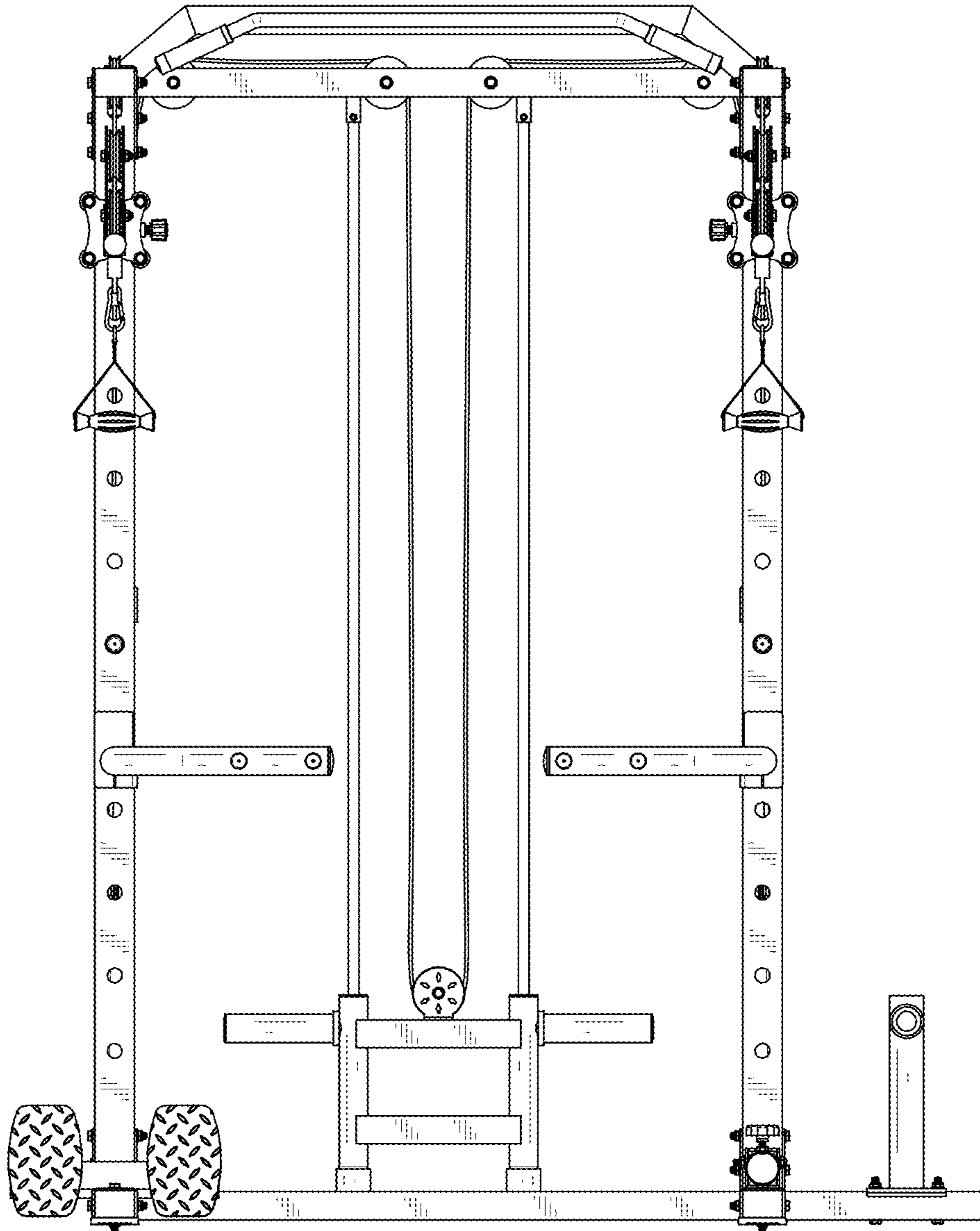


FIG. 5

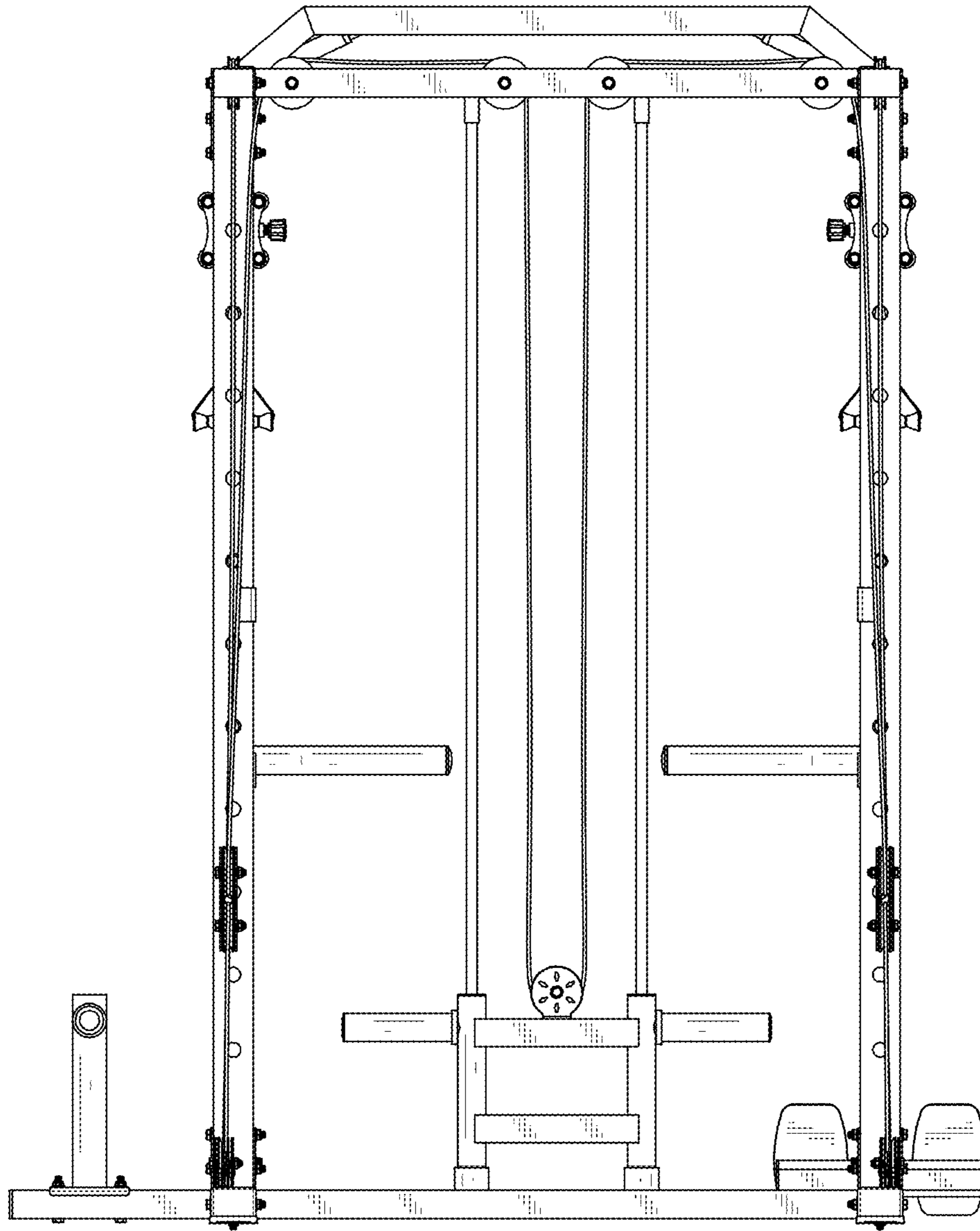


FIG. 6

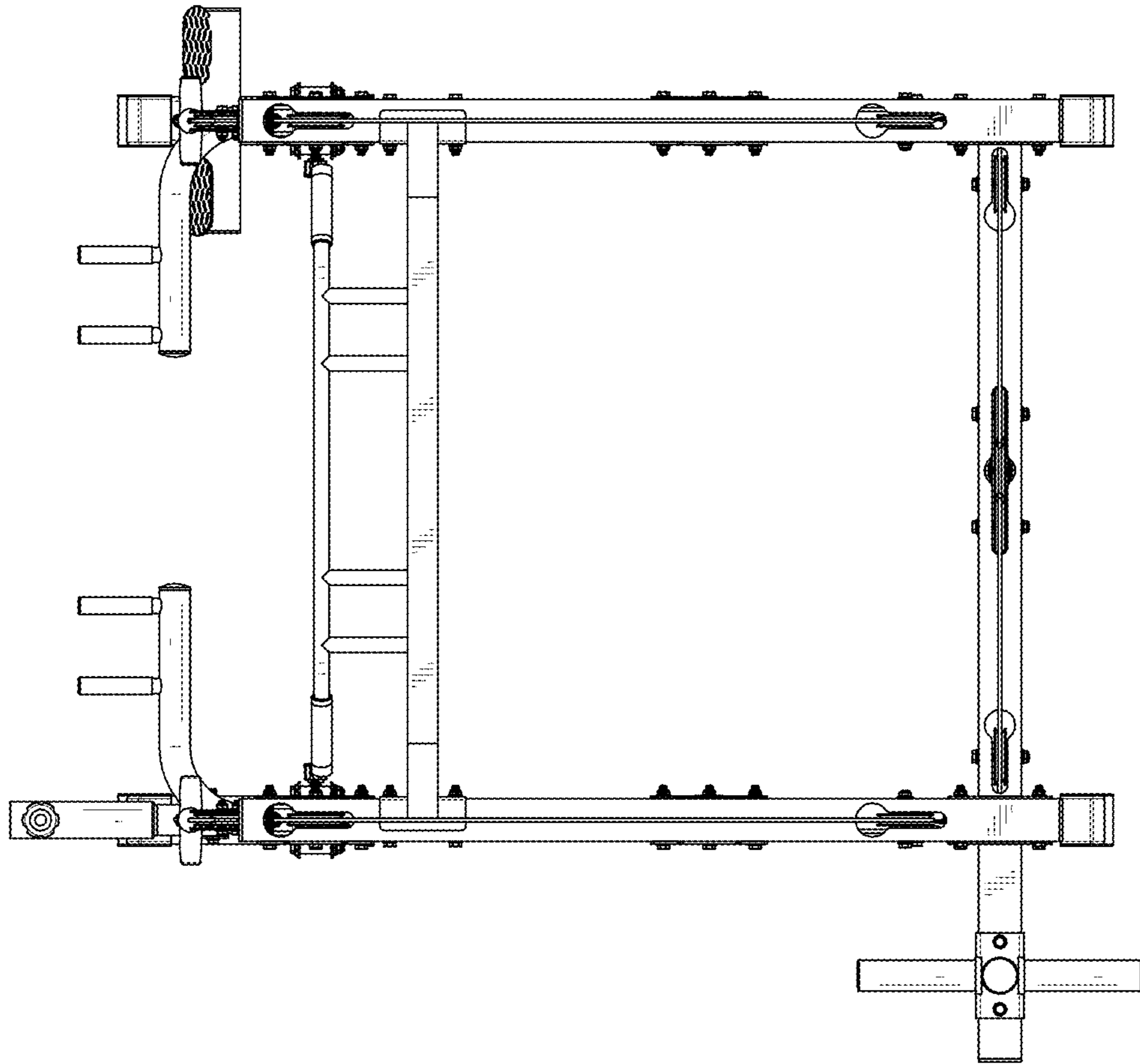


FIG. 7

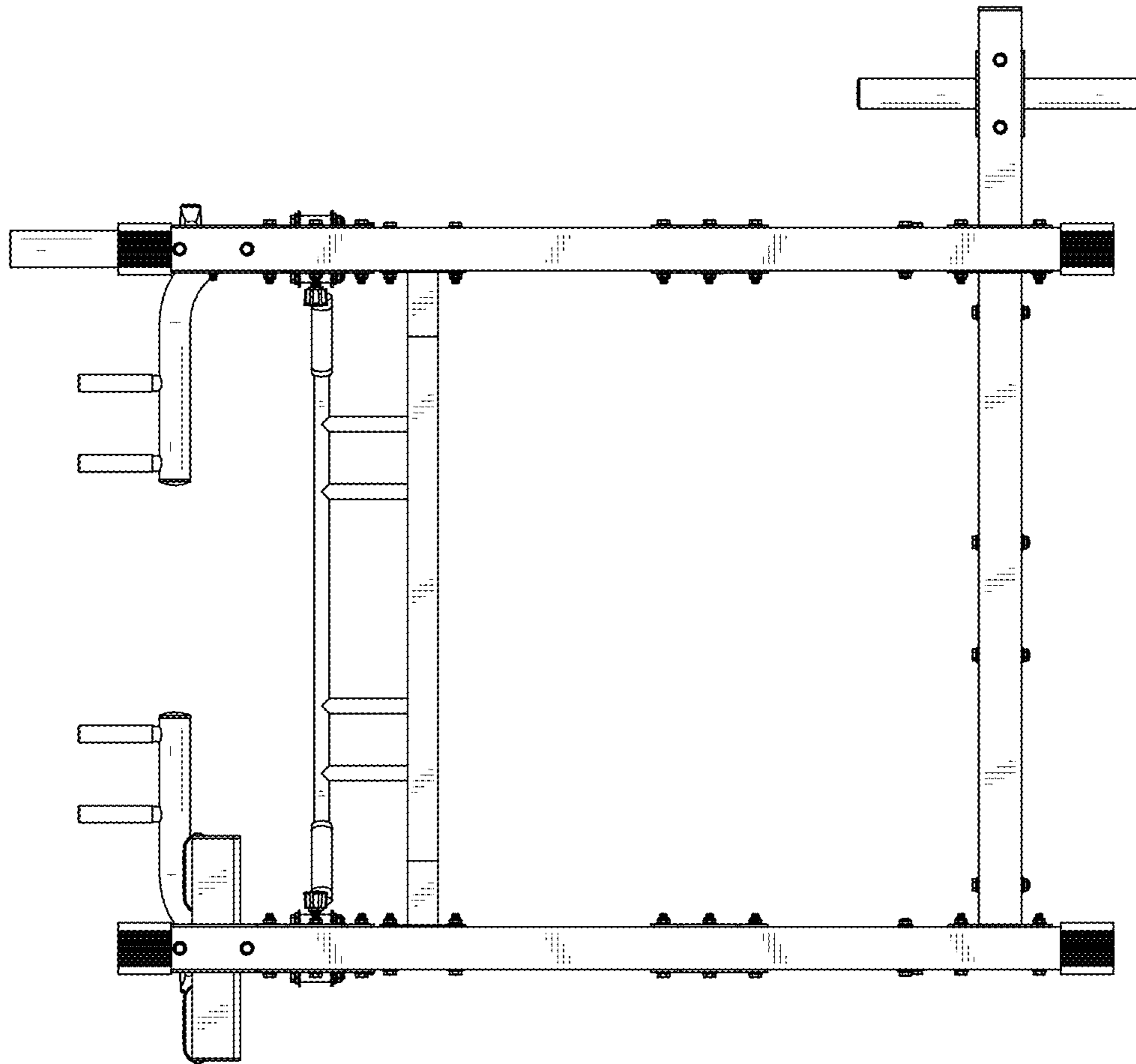


FIG. 8

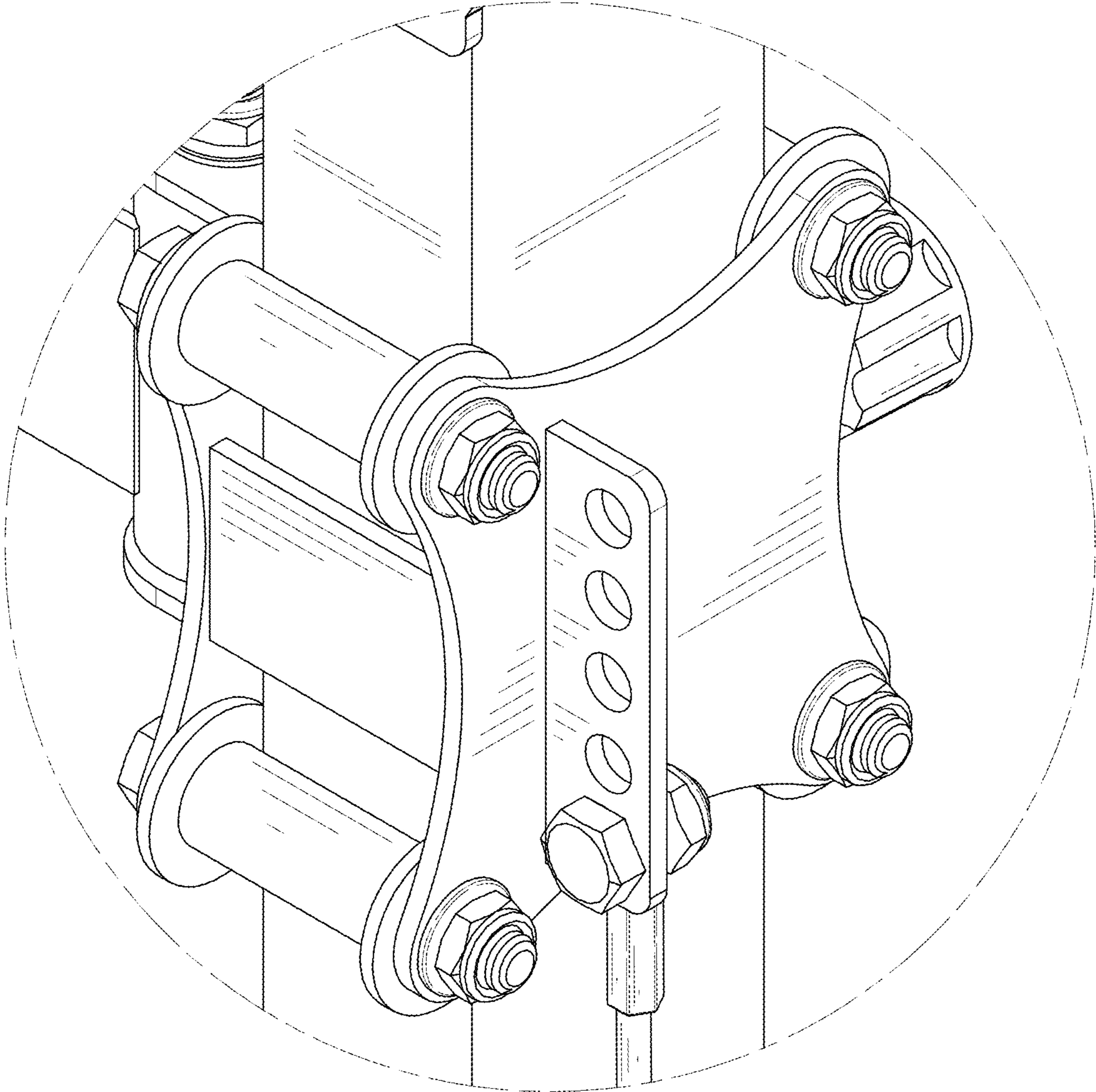


FIG. 9

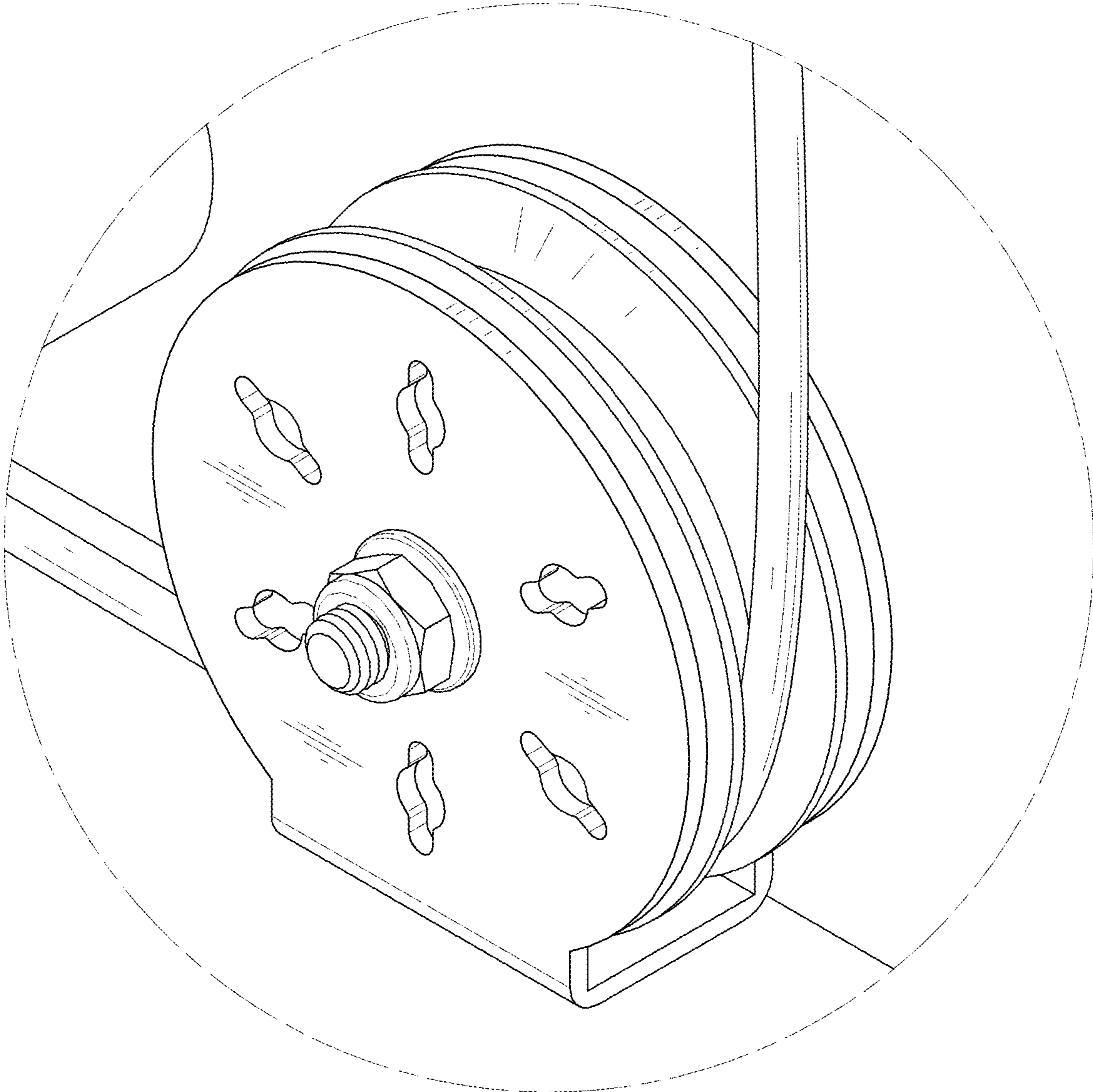


FIG. 10

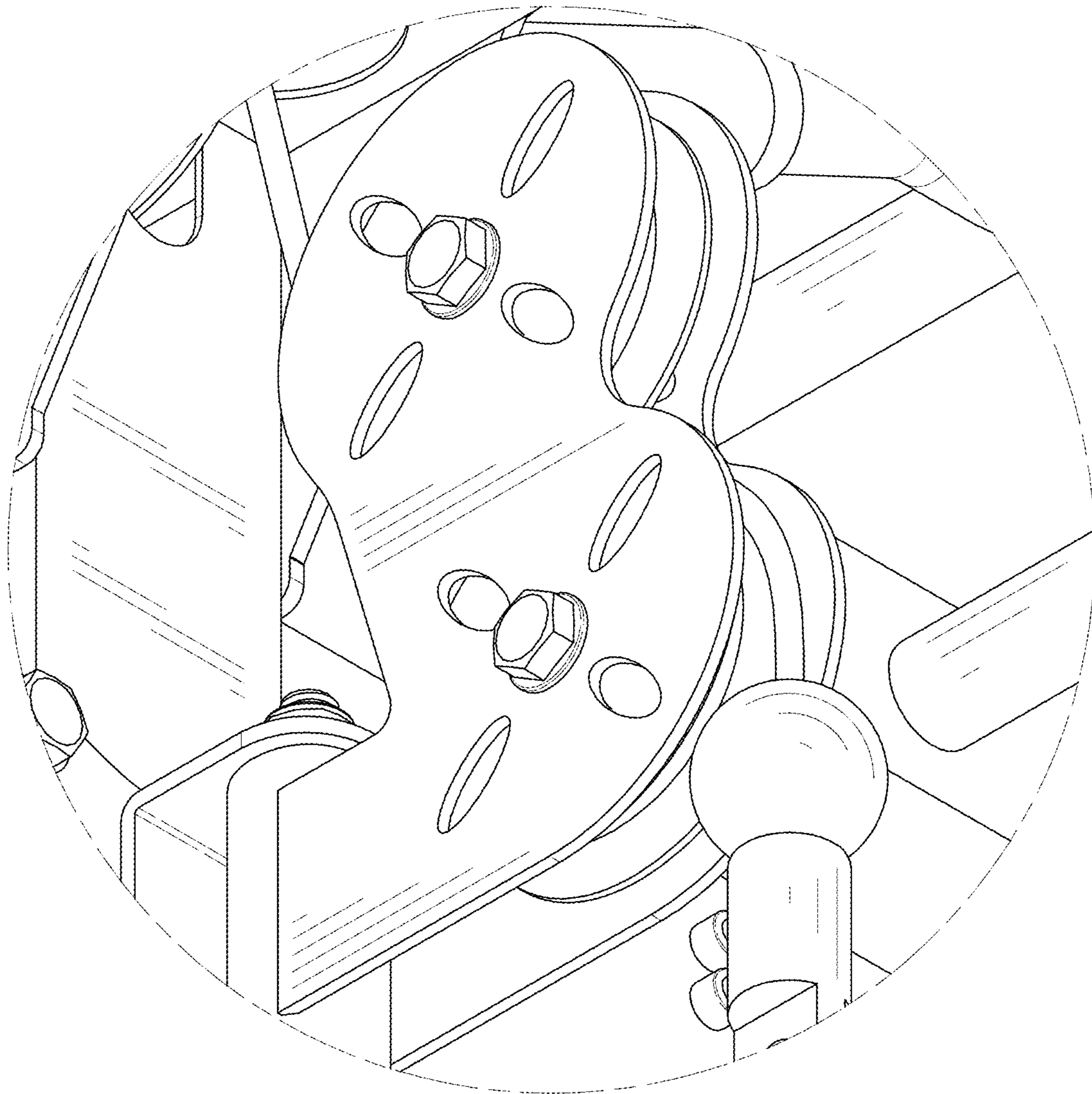


FIG. 11

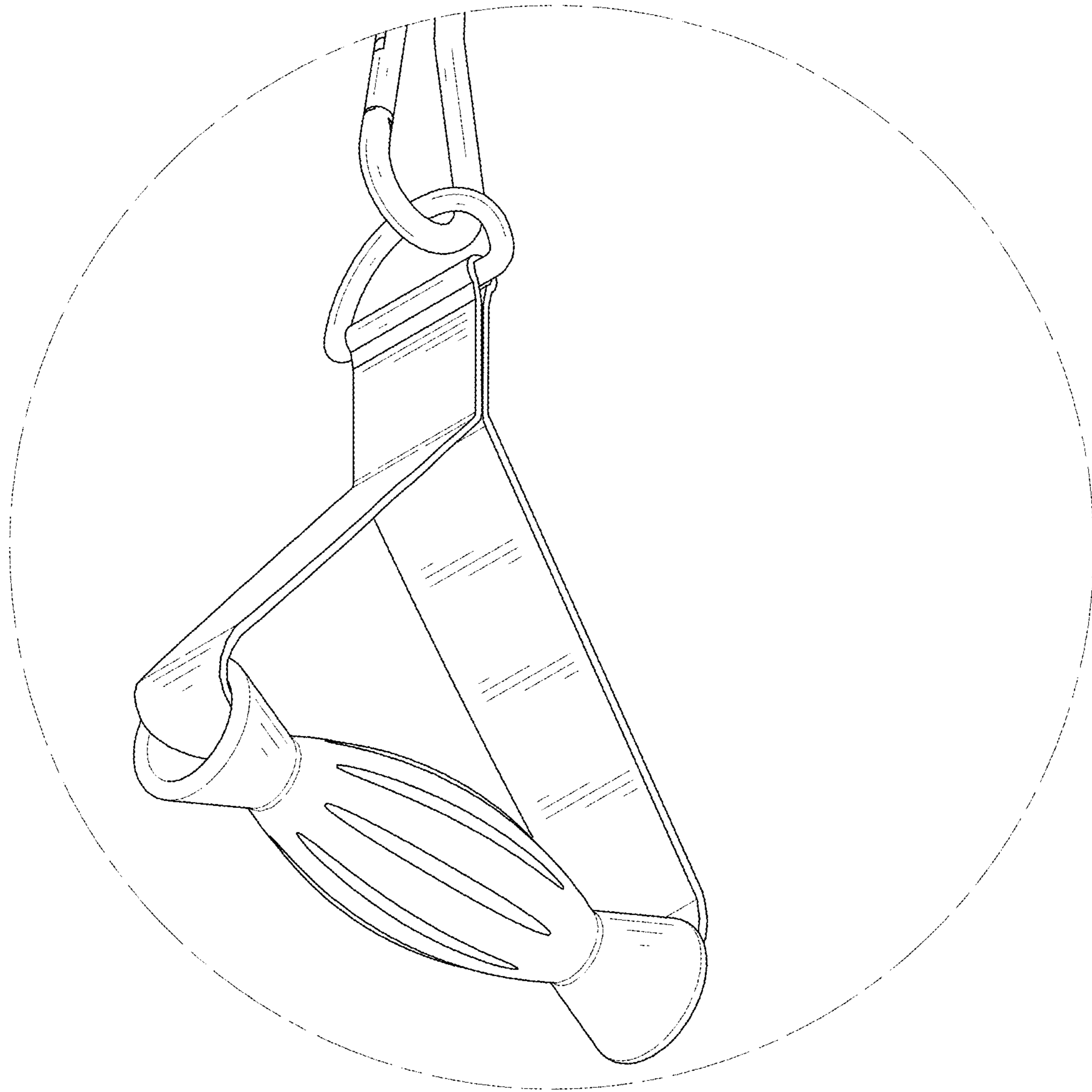


FIG. 12

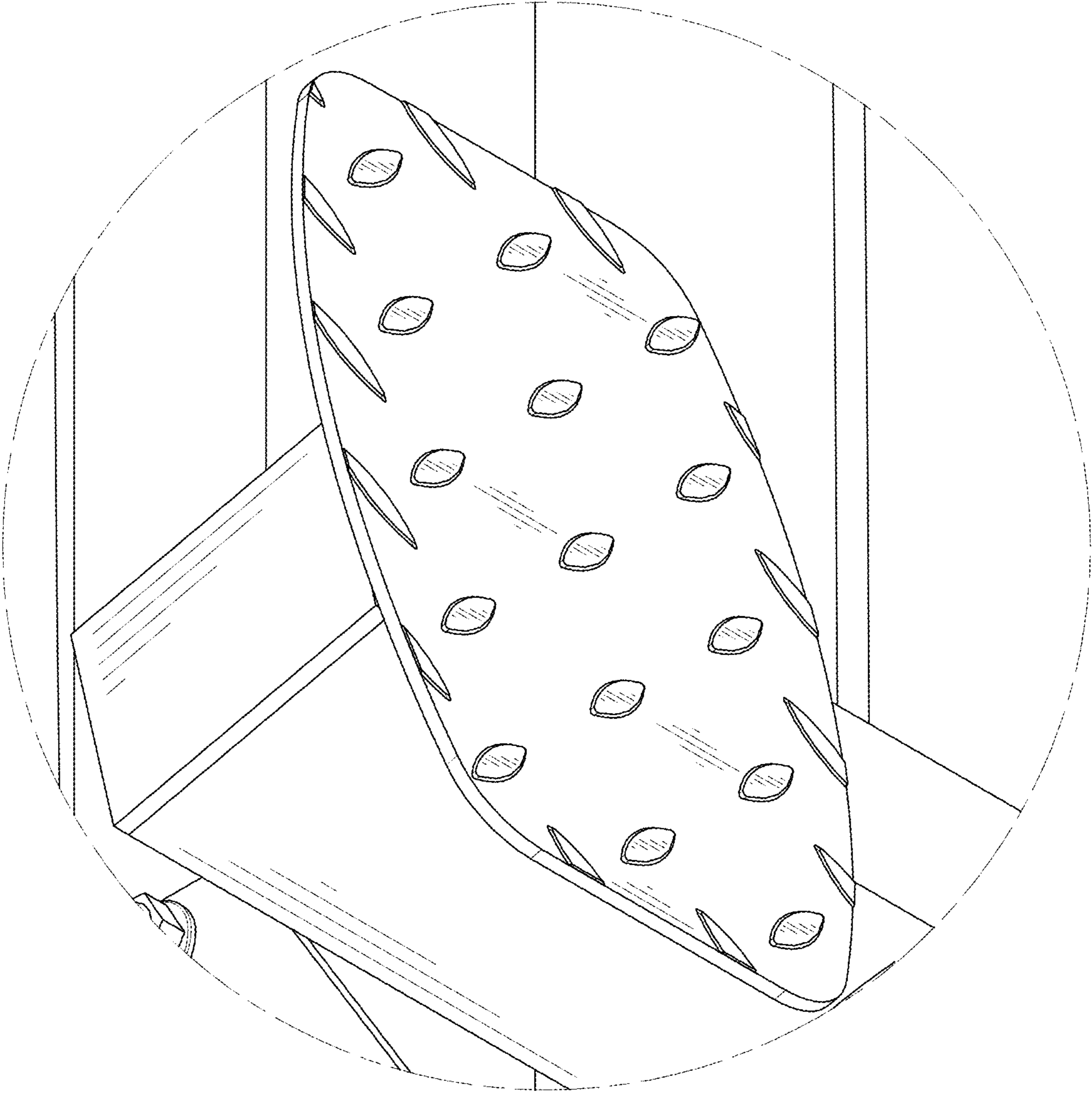


FIG. 13

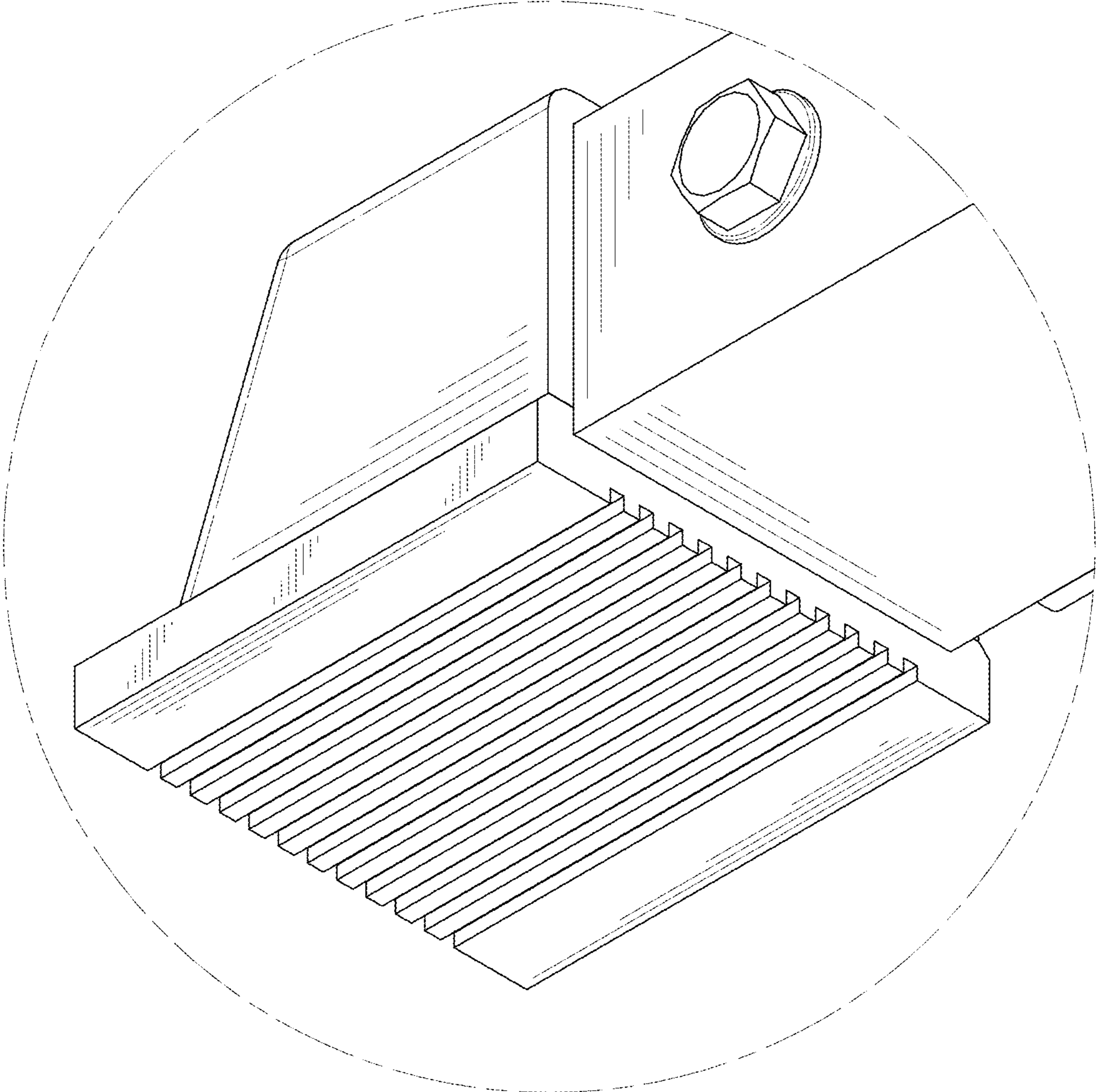


FIG. 14