



US00D974502S

(12) **United States Design Patent**
Beall

(10) **Patent No.:** **US D974,502 S**

(45) **Date of Patent:** **** Jan. 3, 2023**

(54) **TWO-HANDLED EXERCISE DEVICE**

(71) Applicant: **William Gary Beall**, St. Marys, GA
(US)

(72) Inventor: **William Gary Beall**, St. Marys, GA
(US)

(**) Term: **15 Years**

(21) Appl. No.: **29/792,239**

(22) Filed: **Mar. 15, 2022**

Related U.S. Application Data

(63) Continuation-in-part of application No. 16/751,204,
filed on Jan. 23, 2020, now Pat. No. 11,285,352.

(51) **LOC (14) Cl.** **21-02**

(52) **U.S. Cl.**
USPC **D21/682**

(58) **Field of Classification Search**
USPC D21/662, 680, 682, 694
CPC A63B 26/003; A63B 43/02; A63B 15/00;
A63B 23/00; A63B 21/00; A63B 41/00;
A63B 39/00; A63B 43/00
See application file for complete search history.

(56) **References Cited**

U.S. PATENT DOCUMENTS

- 2,115,926 A * 5/1938 Hatton A63B 43/02
473/596
- D241,869 S * 10/1976 Hilprecht D21/713
- 4,995,604 A * 2/1991 Lynch A63B 21/0606
434/254
- D363,752 S * 10/1995 Shumber D21/678
- D370,951 S * 6/1996 Lazar D21/692
- 5,735,776 A * 4/1998 Swezey A63B 21/0085
482/148
- 5,857,946 A 1/1999 Brown
- 6,003,470 A * 12/1999 Budman A01K 15/025
119/711
- 6,068,580 A 5/2000 Myers et al.

- 6,190,292 B1 * 2/2001 Panes A63B 21/06
482/109
- 6,387,022 B1 * 5/2002 Smith A63B 65/06
482/106
- D464,095 S * 10/2002 Yu D21/684

(Continued)

Primary Examiner — Ryan Harvey

(74) *Attorney, Agent, or Firm* — Mark Young, PA

(57) **CLAIM**

The ornamental design for a two-handed exercise device, as shown and described.

DESCRIPTION

FIG. 1 provides a top plan view of a two-handed exercise device.

FIG. 2 provides a front view of the two-handed exercise device of FIG. 1.

FIG. 3 provides a left view of the two-handed exercise device of FIG. 1.

FIG. 4 provides a bottom plan view of the two-handed exercise device of FIG. 1.

FIG. 5 provides a right view of the two-handed exercise device of FIG. 1.

FIG. 6 provides back view of the two-handed exercise device of FIG. 1.

FIG. 7 provides a first perspective view of the two-handed exercise device of FIG. 1.

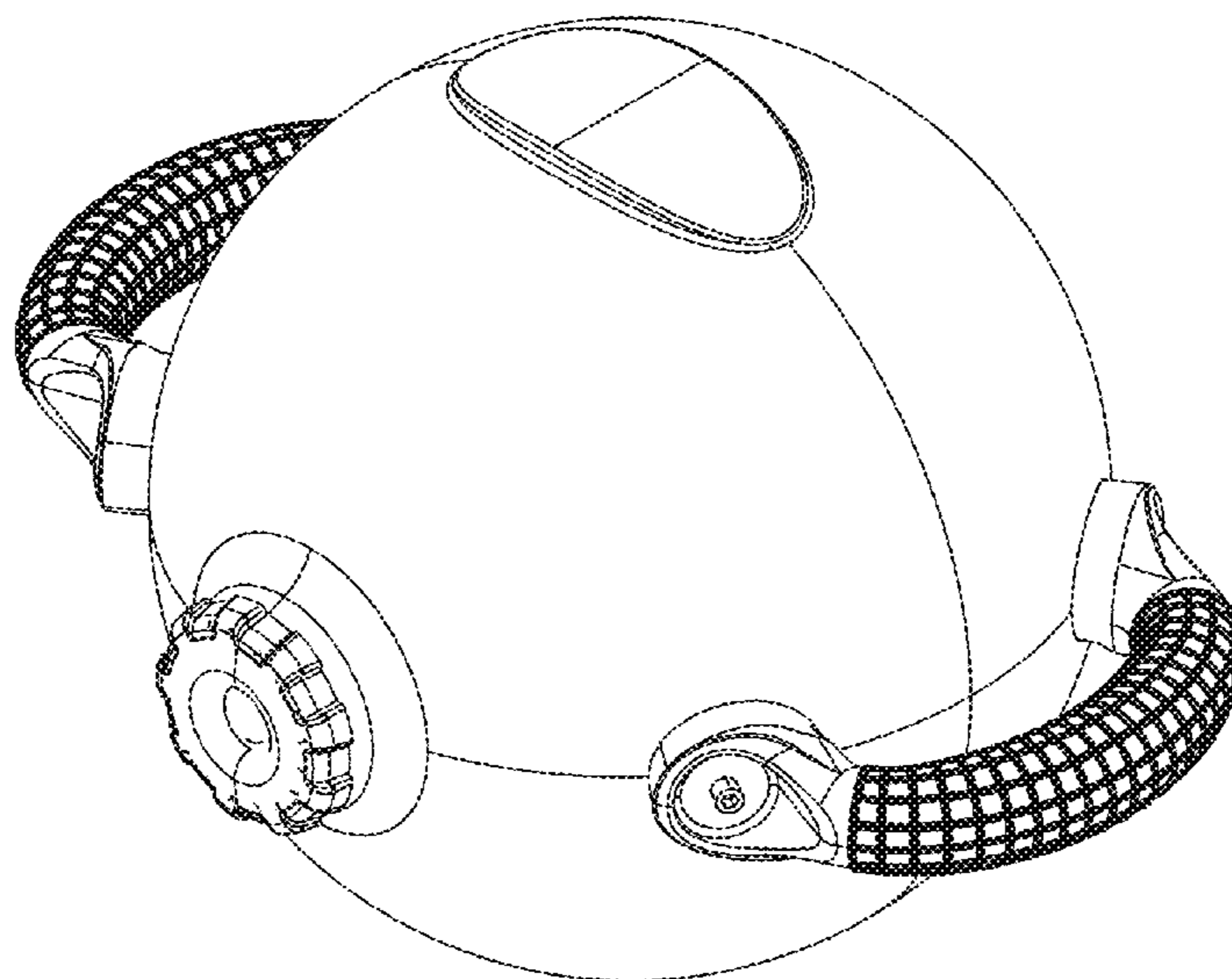
FIG. 8 provides a second perspective view of the two-handed exercise device of FIG. 1.

FIG. 9 provides a third perspective view of the two-handed exercise device of FIG. 1; and,

FIG. 10 provides fourth perspective view of the two-handed exercise device of FIG. 1.

The broken line showing of parts of the drawings is included for the purpose of illustrating use and environment and forms no part of the claimed design.

1 Claim, 10 Drawing Sheets



(56)

References Cited

U.S. PATENT DOCUMENTS

6,514,179 B1 *	2/2003	Yu	A63B 23/1272	D849,843 S *	5/2019	Lambert	D21/333
				482/44	D851,712 S *	6/2019	Jones	D21/681
D494,233 S *	8/2004	Kerry	D21/713	D885,499 S *	5/2020	Sutton	D21/680
D498,799 S *	11/2004	Kerry	D21/662	D905,178 S *	12/2020	Magloire	D21/662
6,981,933 B2 *	1/2006	Scafidel	A63B 21/072	D923,120 S *	6/2021	Smith	D21/682
				482/110	D930,766 S *	9/2021	Meaney	D21/680
7,141,012 B2	11/2006	Lin			11,285,352 B2 *	3/2022	Beall	A63B 23/03525
D545,509 S *	6/2007	Wang	D30/160	D949,257 S *	4/2022	Harrison	D21/680
7,326,158 B1 *	2/2008	Wang	A63B 43/02	D955,507 S *	6/2022	Wang	D21/680
				482/8	D956,888 S *	7/2022	Zimmer	D21/680
D568,950 S *	5/2008	Yewer, Jr.	D21/680	2003/0060346 A1 *	3/2003	Wu	A63B 21/075
D650,536 S *	12/2011	Oblack	D21/713					482/108
D651,671 S *	1/2012	Ross	D21/680	2010/0069206 A1 *	3/2010	Viselman	A63B 21/0602
8,128,537 B2	3/2012	Signorile et al.							482/106
D659,204 S *	5/2012	Cotter	A63B 43/04	2011/0263393 A1 *	10/2011	Ross	A63B 21/075
				D21/680					482/93
8,454,483 B1 *	6/2013	Bradley	A63B 21/072	2011/0263394 A1 *	10/2011	Viselman	A63B 21/00061
				482/44					482/93
8,911,334 B1	12/2014	Cotter et al.			2012/0053024 A1 *	3/2012	Mendoza	A63B 21/0722
D725,724 S *	3/2015	Bellantuono	D21/682					482/106
D736,483 S *	8/2015	Crane	D30/160	2012/0157270 A1 *	6/2012	Johnson	A63B 21/072
D746,002 S *	12/2015	Crane	D30/160					482/93
9,216,315 B1 *	12/2015	Chang	A63B 21/072	2013/0267390 A1	10/2013	Warren		
9,364,716 B2 *	6/2016	Kramer	A63B 26/003	2014/0024507 A1 *	1/2014	Hagos	A63B 21/0726
D779,599 S *	2/2017	Jung	D21/681					482/108
9,616,269 B1 *	4/2017	Burosh	A63B 21/0004	2014/0194258 A1 *	7/2014	Shorter	A63B 21/072
9,623,274 B2	4/2017	Holt, IV et al.							482/93
D789,461 S *	6/2017	Magloire	D21/682	2014/0256522 A1 *	9/2014	Holt, IV	A63B 21/4035
D794,143 S *	8/2017	Rex	D21/680					482/110
9,770,619 B1 *	9/2017	Bullock	A63B 65/06	2015/0141220 A1	5/2015	Wargo		
D798,969 S *	10/2017	Lozito	D21/682	2015/0314156 A1 *	11/2015	Crandall	A63B 21/00043
9,844,695 B1 *	12/2017	Shorter	A63B 21/075					482/93
D818,062 S *	5/2018	Lien	D21/680	2015/0321041 A1 *	11/2015	Stephan	A63B 21/0004
D827,735 S *	9/2018	Ross	D21/682					482/132
10,179,259 B1 *	1/2019	Zagata	A63B 23/12	2016/0144220 A1 *	5/2016	Wood	A63B 21/0601
D843,510 S *	3/2019	Ross	D21/682					482/93
					2016/0256746 A1 *	9/2016	Kramer	A63B 21/4033

* cited by examiner

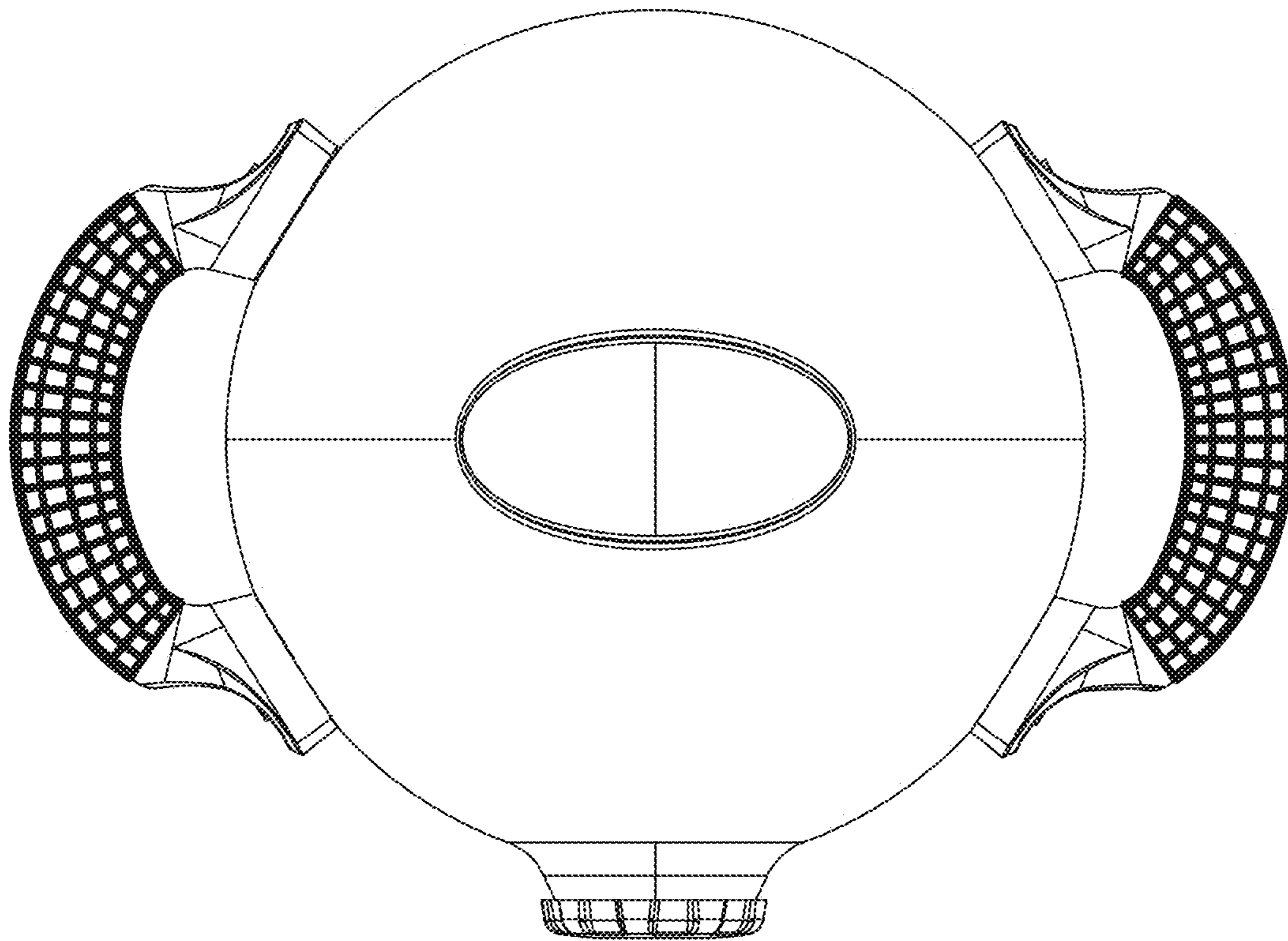


FIG. 1

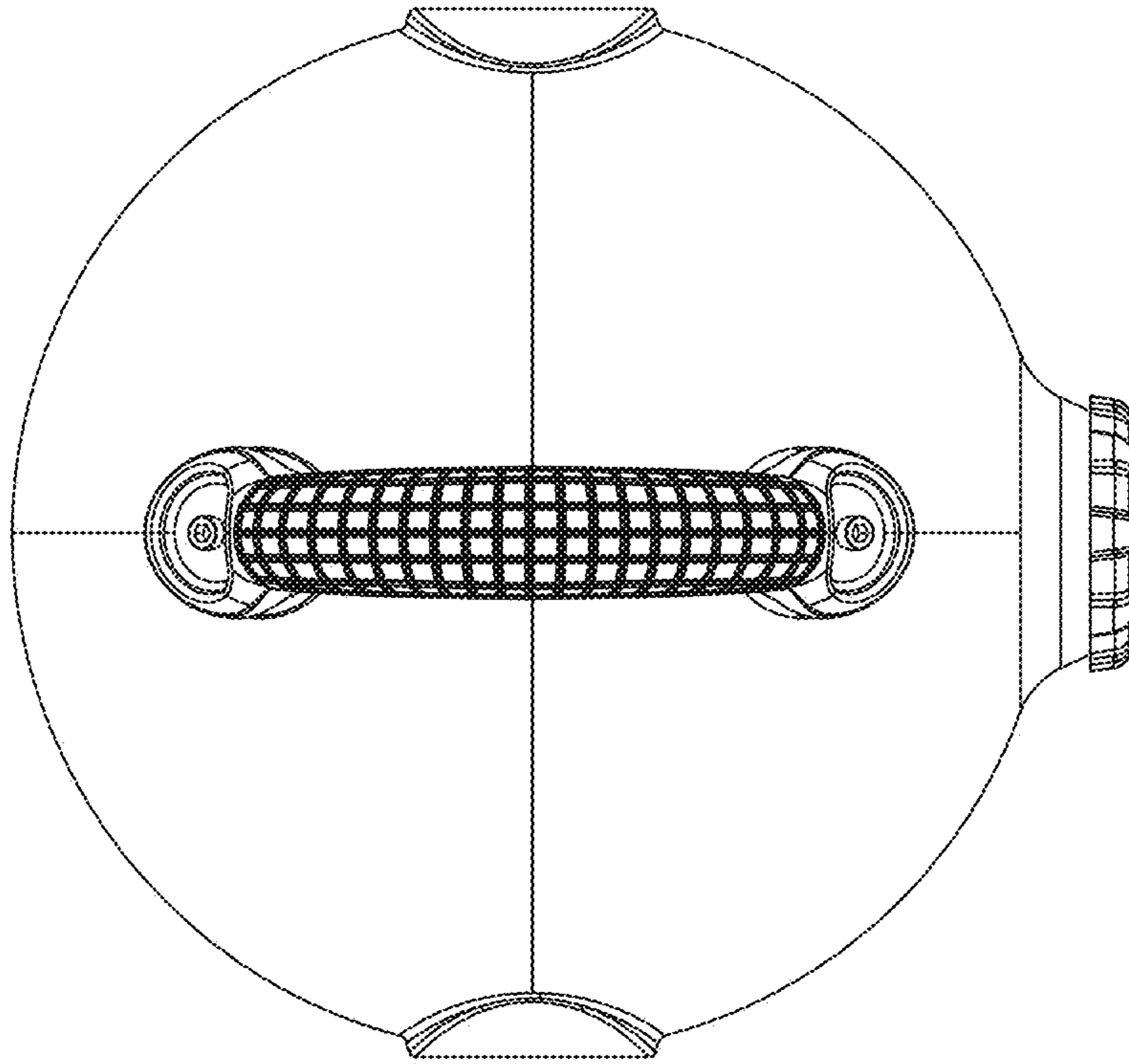


FIG. 2

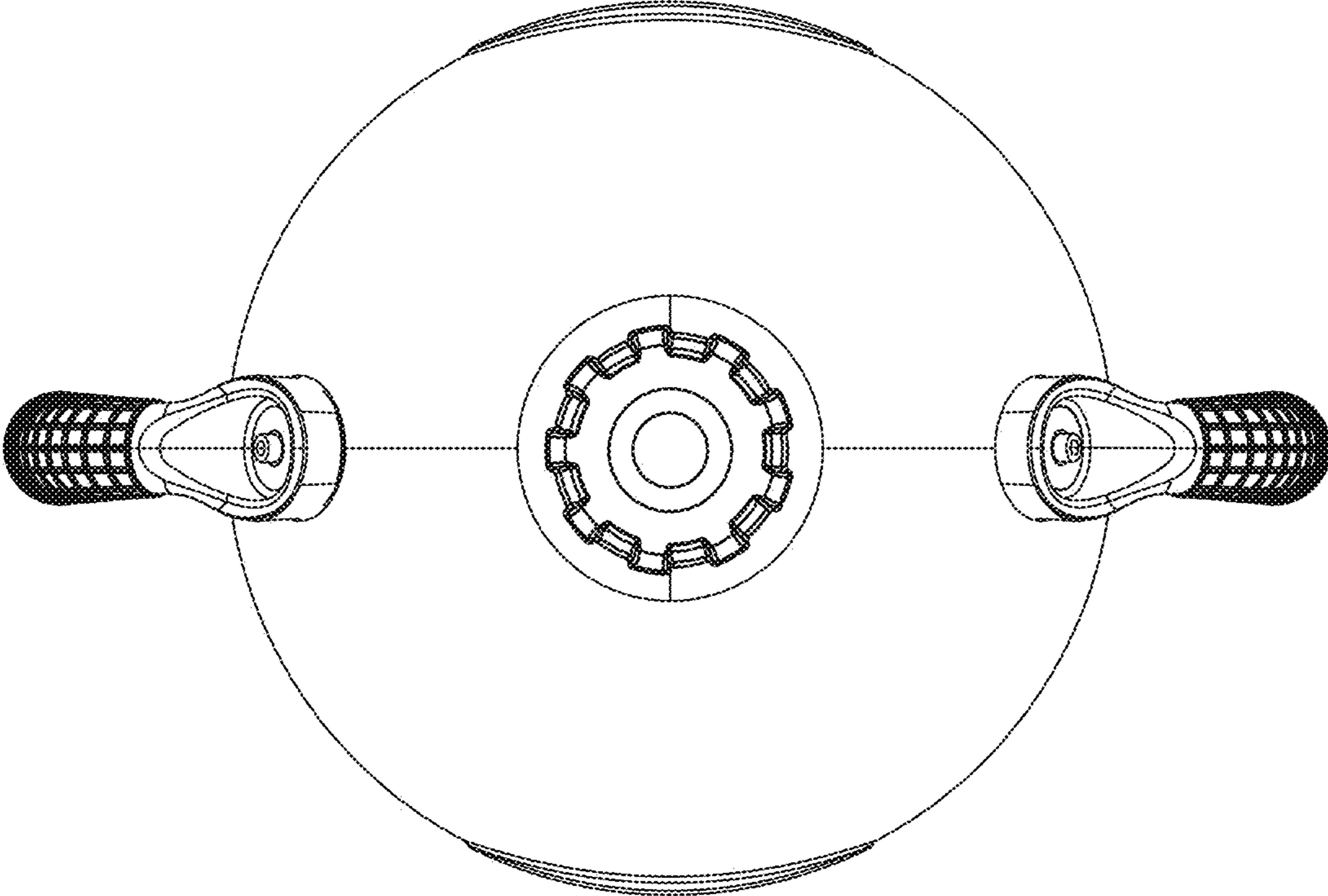


FIG. 3

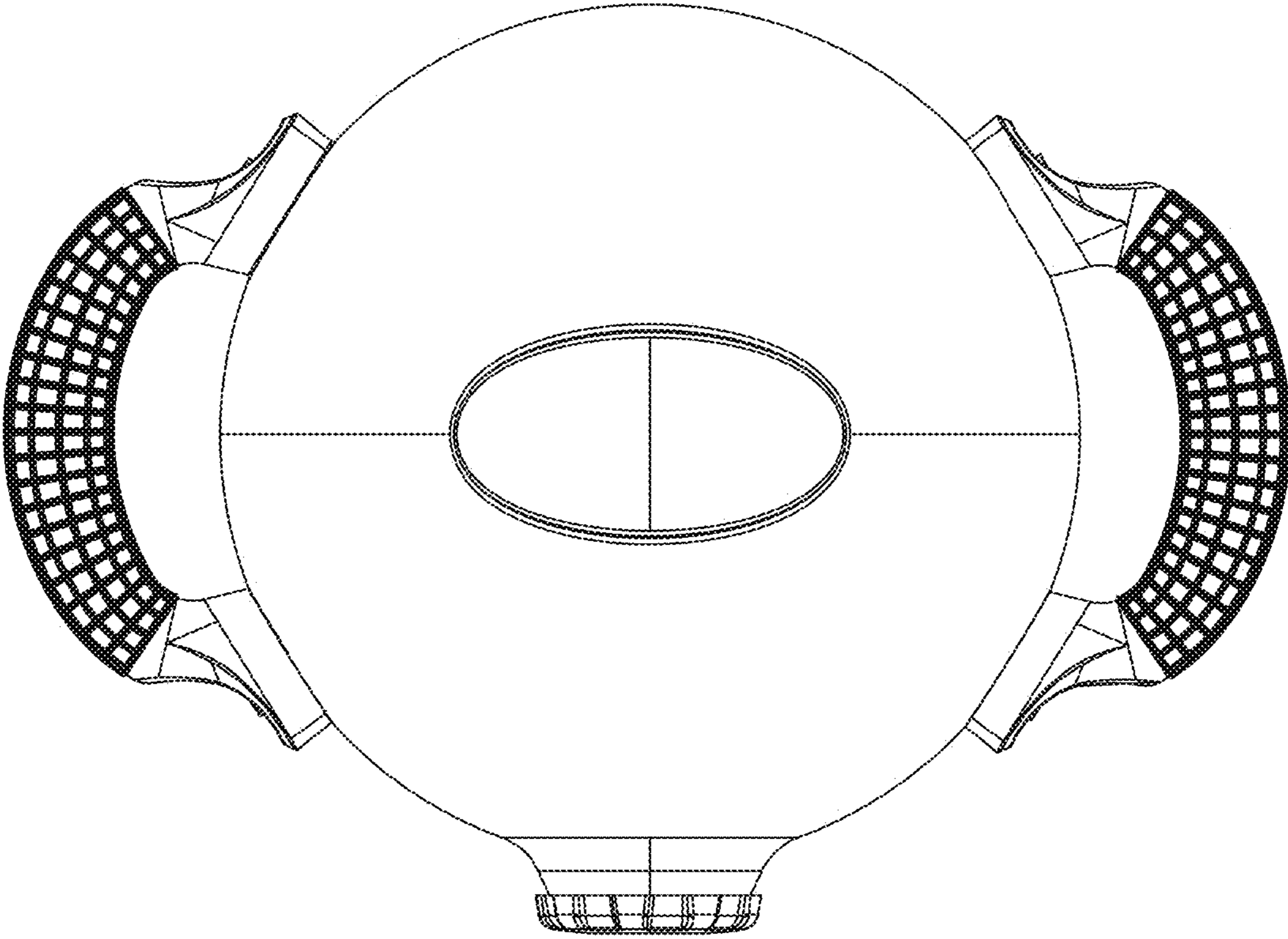


FIG. 4

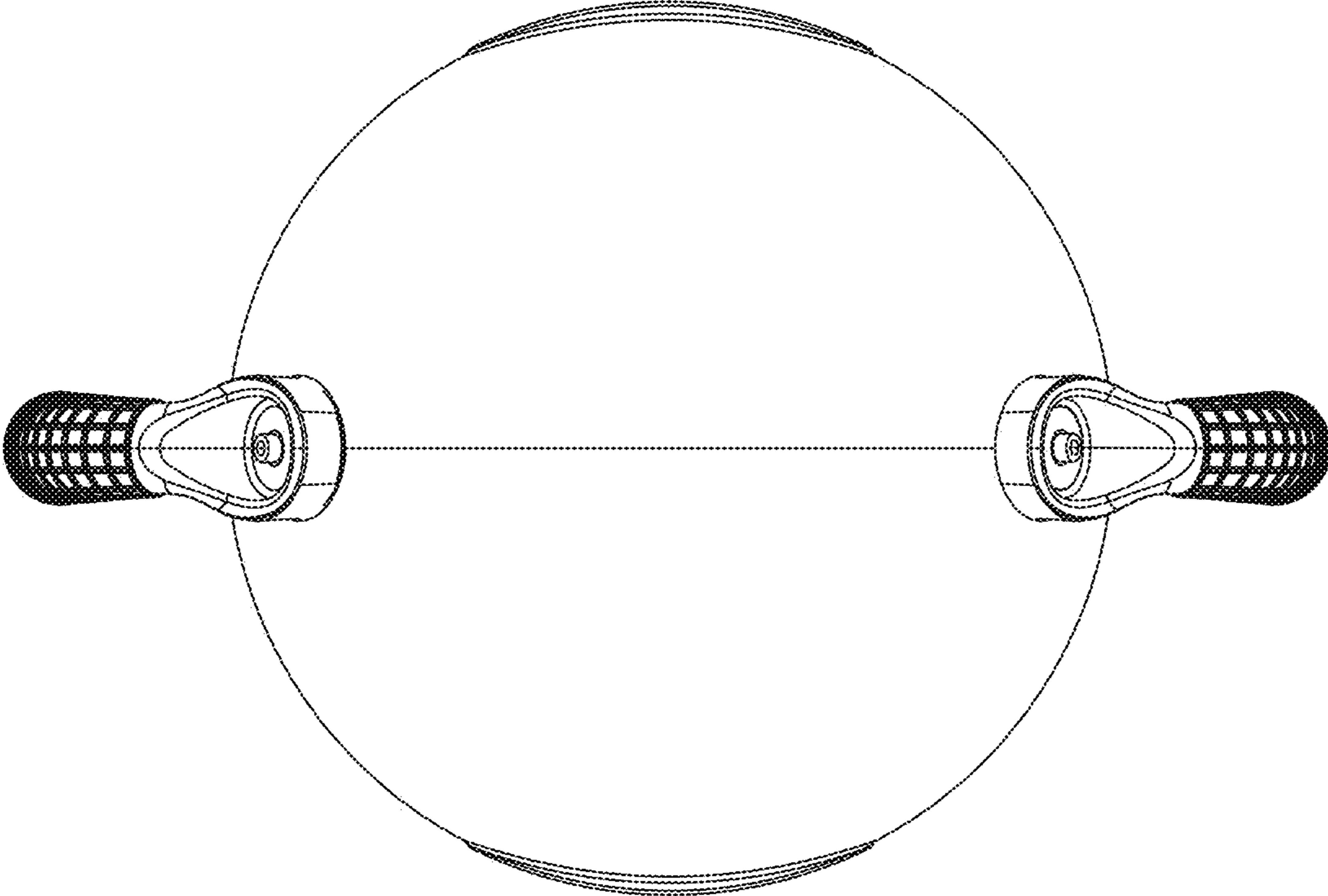


FIG. 5

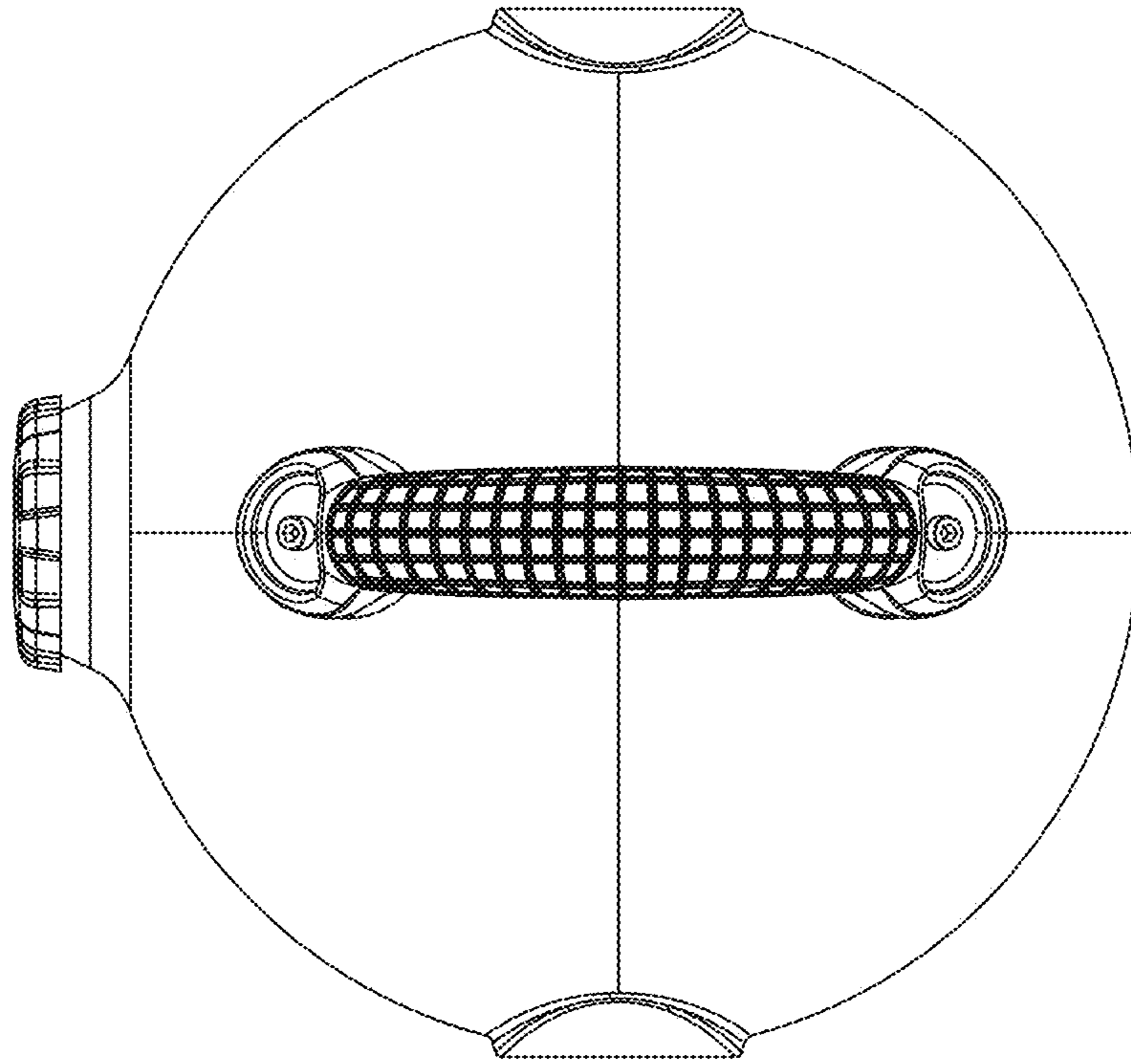


FIG. 6

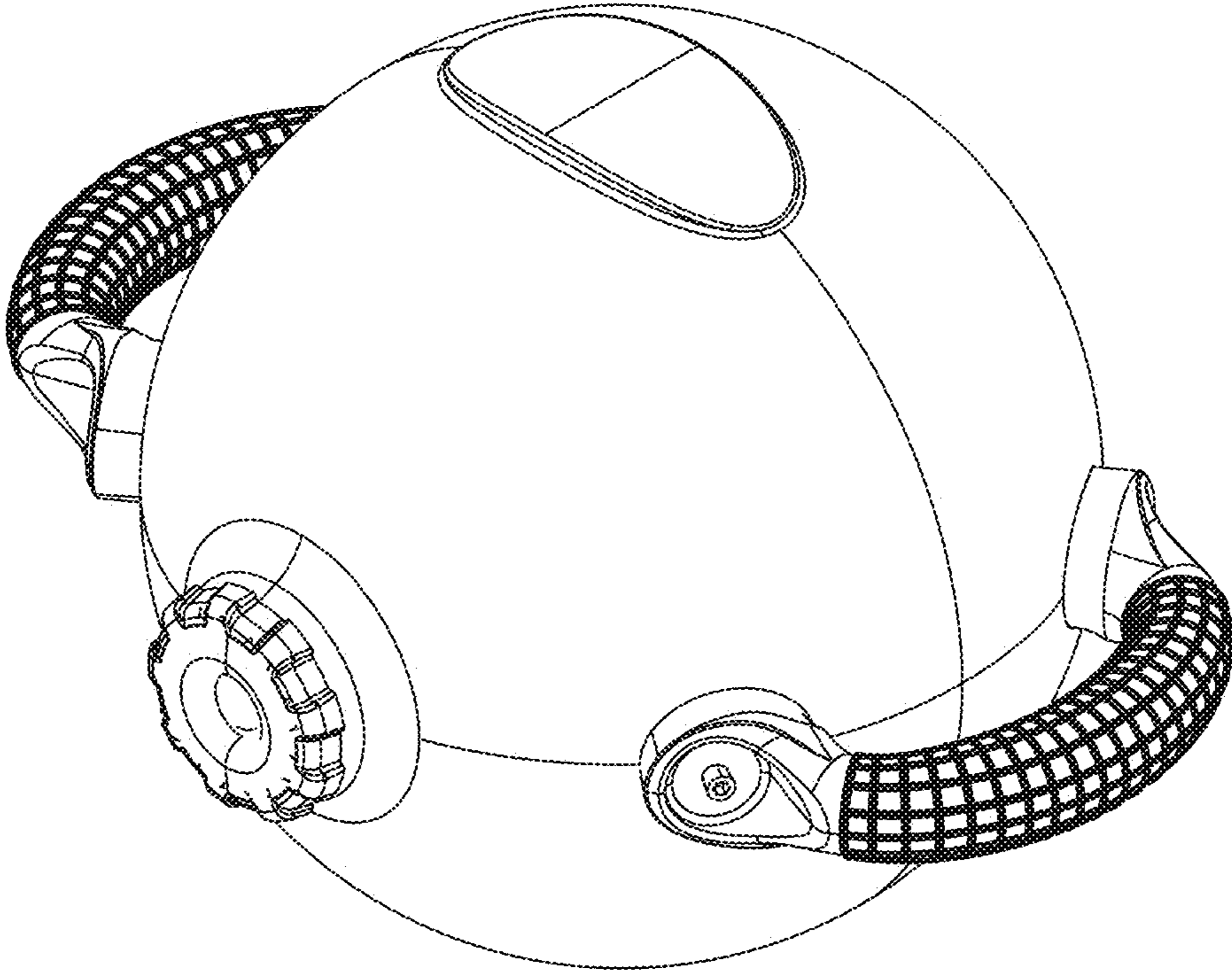


FIG. 7

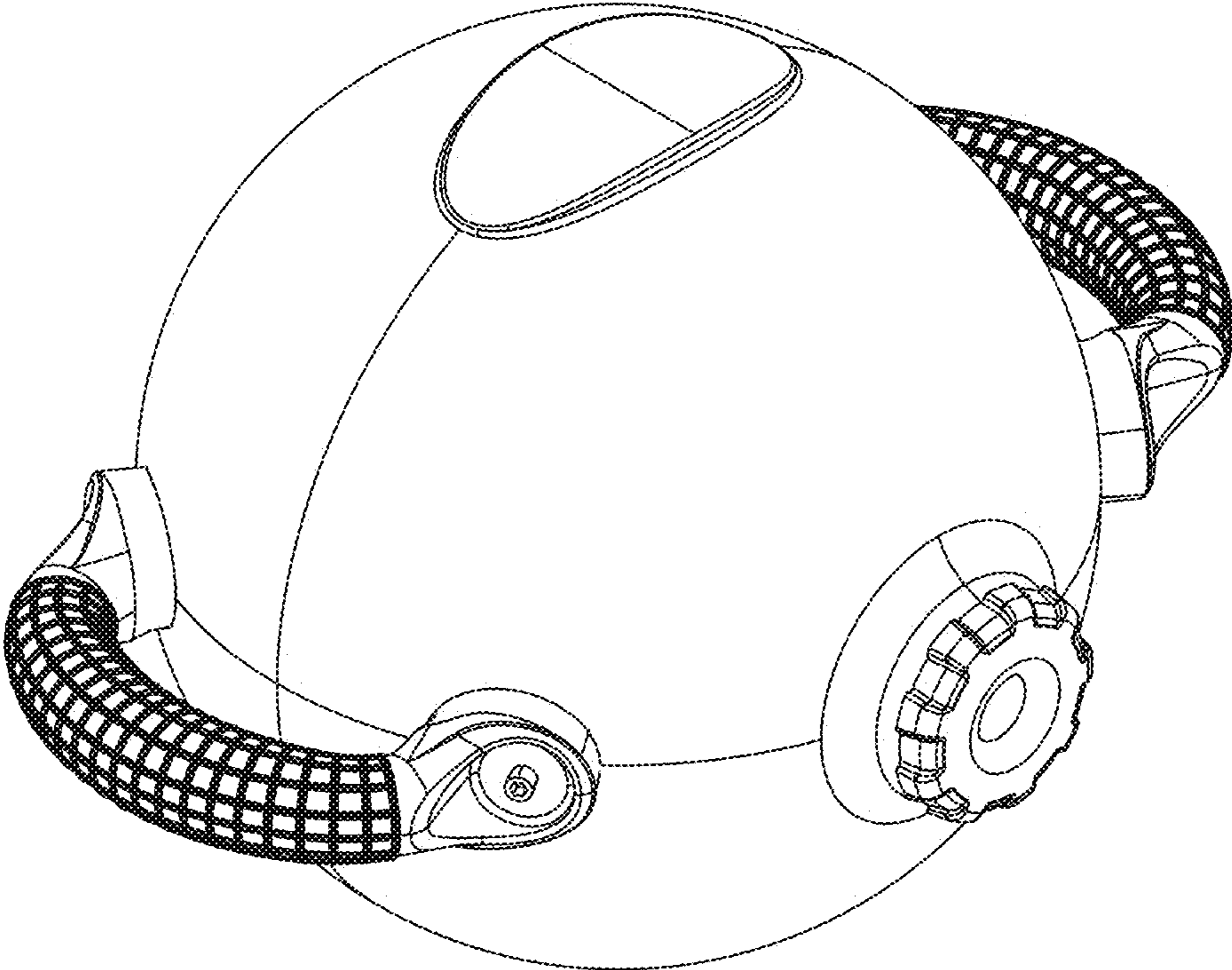


FIG. 8

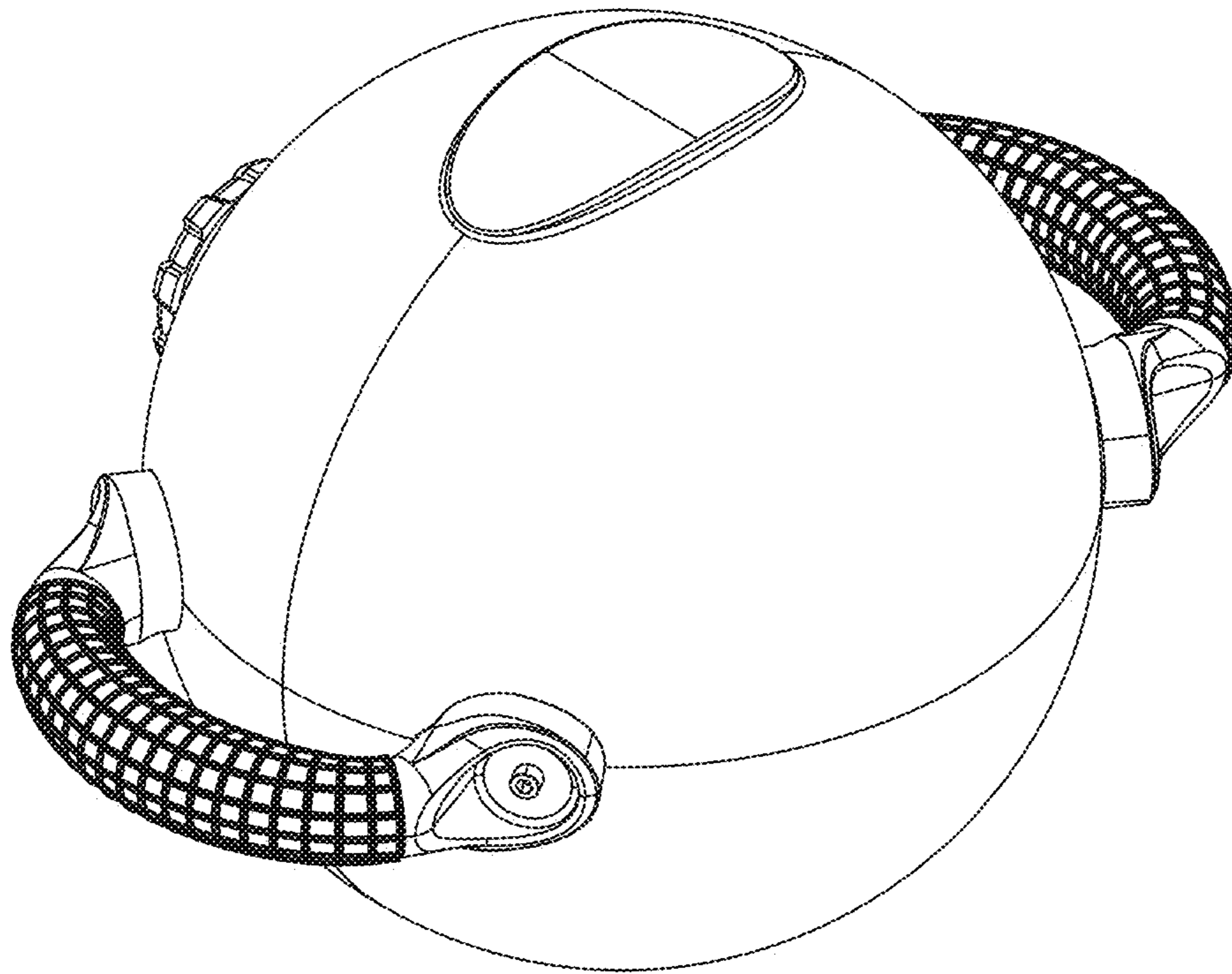


FIG. 9

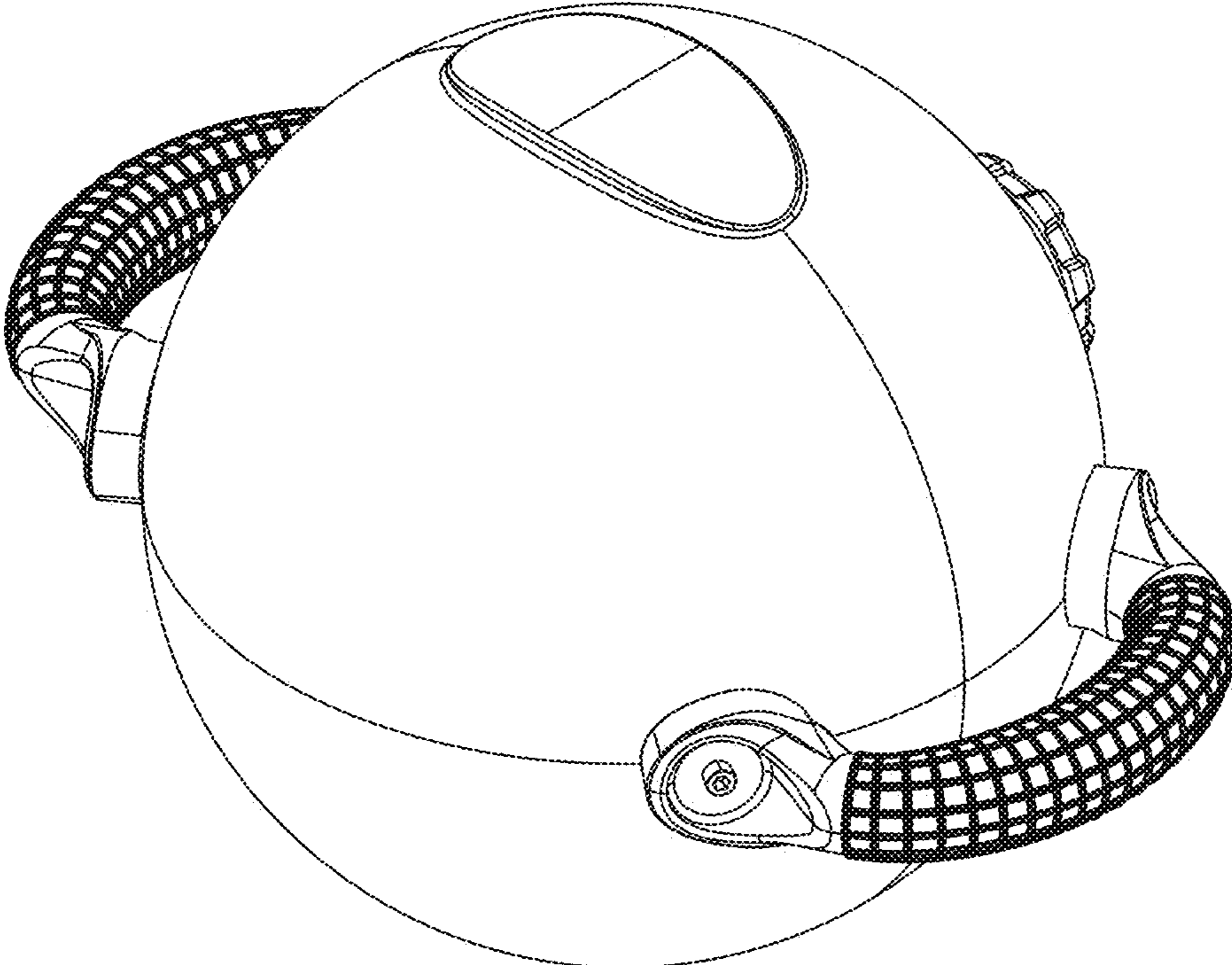


FIG. 10