



US00D974501S

(12) **United States Design Patent**
Slater

(10) **Patent No.:** **US D974,501 S**
(45) **Date of Patent:** **** Jan. 3, 2023**

(54) **LOADABLE WEIGHTLIFTING DEVICE**

(71) Applicant: **Coulter Ventures, LLC.**, Columbus, OH (US)

(72) Inventor: **Steve Slater**, Lancaster, OH (US)

(73) Assignee: **Coulter Ventures, LLC.**, Columbus, OH (US)

(**) Term: **15 Years**

(21) Appl. No.: **29/749,053**

(22) Filed: **Sep. 2, 2020**

(51) **LOC (14) Cl.** **21-02**

(52) **U.S. Cl.**
USPC **D21/680**

(58) **Field of Classification Search**
USPC D21/680, 681, 682, 692, 694, 677, 662
See application file for complete search history.

(56) **References Cited**

U.S. PATENT DOCUMENTS

D212,104 S *	8/1968	McDonald	D21/684
6,059,700 A *	5/2000	Eilenburg	A63B 21/0724
				482/107
D484,929 S *	1/2004	Mollet	D21/684
D571,418 S *	6/2008	Gormley	D21/680
9,327,159 B1 *	5/2016	Medina	A63B 21/0726
9,421,410 B1 *	8/2016	Miller	A63B 21/072
9,795,823 B2 *	10/2017	Wyncott	A63B 21/072
D946,093 S *	3/2022	Park	D21/662
2014/0057764 A1	2/2014	Klukas		
2017/0246495 A1 *	8/2017	Wyncott	A63B 21/072
2019/0282847 A1 *	9/2019	Acuna, Jr.	A63B 21/4035

OTHER PUBLICATIONS

A2ZCARESTORE, announced 2019 [online], [site visited Aug. 3, 2022]. Available on internet, URL:https://www.amazon.com/dp/B08229NLSL/ref (Year: 2019).*

Kettlebud, announced 2018 [online], [site visited Aug. 3, 2022]. Available on internet, URL:https://www.amazon.com/Kettlebud-Adjustable-Kettlebell-Olympic-Plates/dp/B00U1SKXGC/ref (Year: 2018).*

(Continued)

Primary Examiner — Khawaja Anwar

Assistant Examiner — Julice Seung Eun Oum

(74) *Attorney, Agent, or Firm* — Banner & Witcoff, Ltd.

(57) **CLAIM**

The ornamental design for a loadable weightlifting device, as shown and described.

DESCRIPTION

FIG. 1 is a top, front, left perspective view of a loadable weightlifting device showing my new design in a first position;

FIG. 2 is a front view thereof;

FIG. 3 is a rear view thereof;

FIG. 4 is a left side view thereof;

FIG. 5 is a right side view thereof;

FIG. 6 is a top view thereof;

FIG. 7 is a bottom view thereof;

FIG. 8 is a top, front, left perspective view of a loadable weightlifting device showing my new design in a second position;

FIG. 9 is a front view thereof;

FIG. 10 is a rear view thereof;

FIG. 11 is a left side view thereof;

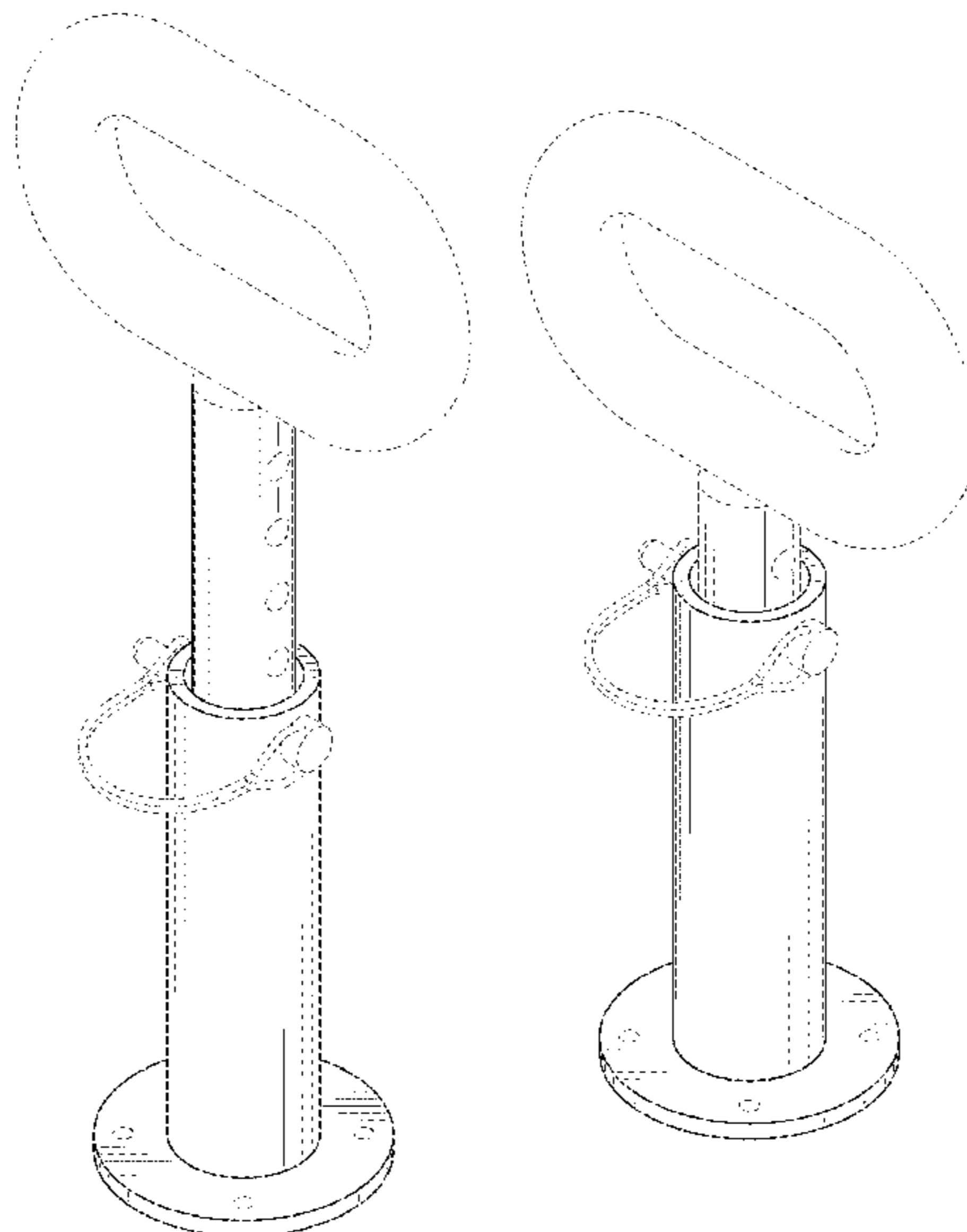
FIG. 12 is a right side view thereof;

FIG. 13 is a top view thereof; and,

FIG. 14 is a bottom view thereof.

The broken lines depicting the remainder of the loadable weightlifting device show features that form no part of the claimed design.

1 Claim, 10 Drawing Sheets



(56)

References Cited

OTHER PUBLICATIONS

SYL Fitness, announced 2019 [online], [site visited Aug. 3, 2022]. Available on internet, URL:<https://www.amazon.com/SYL-Fitness-Machine-Attachment-Loading/dp/B07WS9P8ZV/ref> (Year: 2019).* “Kettle Gryp”; Rogue Fitness; retrieved Dec. 8, 2020; published Apr. 29, 2020; URL: <<https://web.archive.org/web/20200429115532/https://www.roguefitness.com/kettle-gryp>>.

* cited by examiner

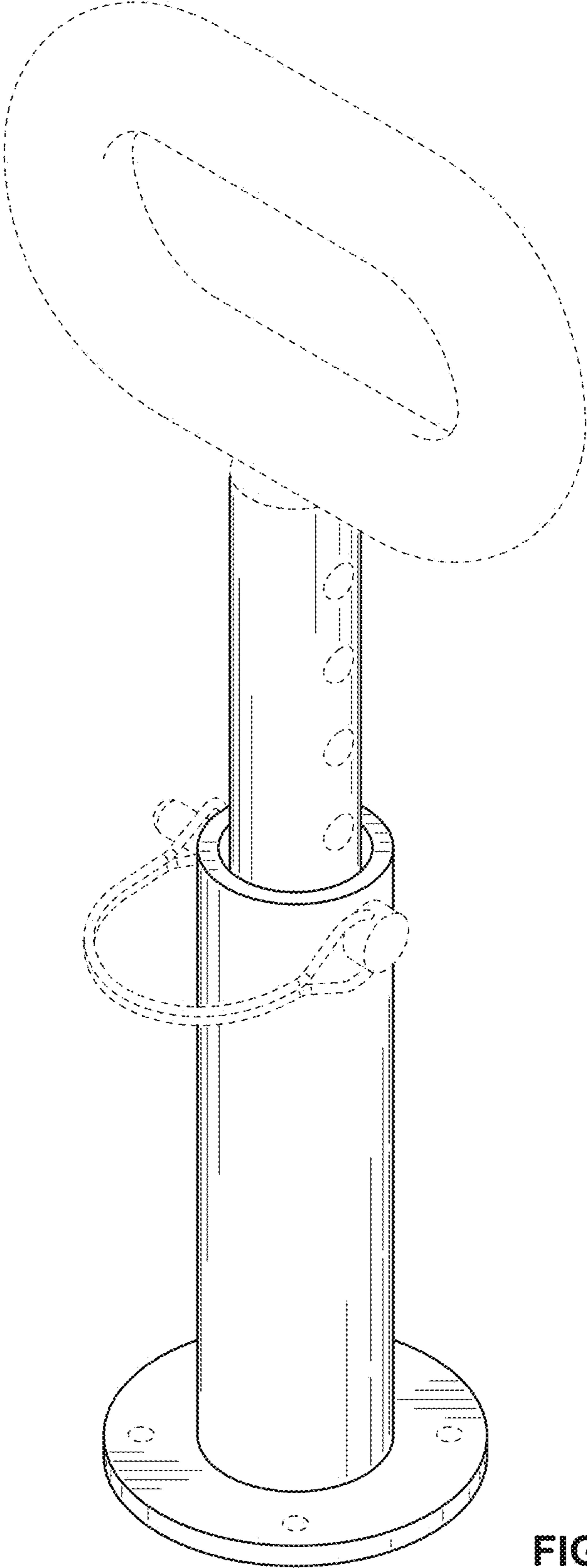


FIG. 1

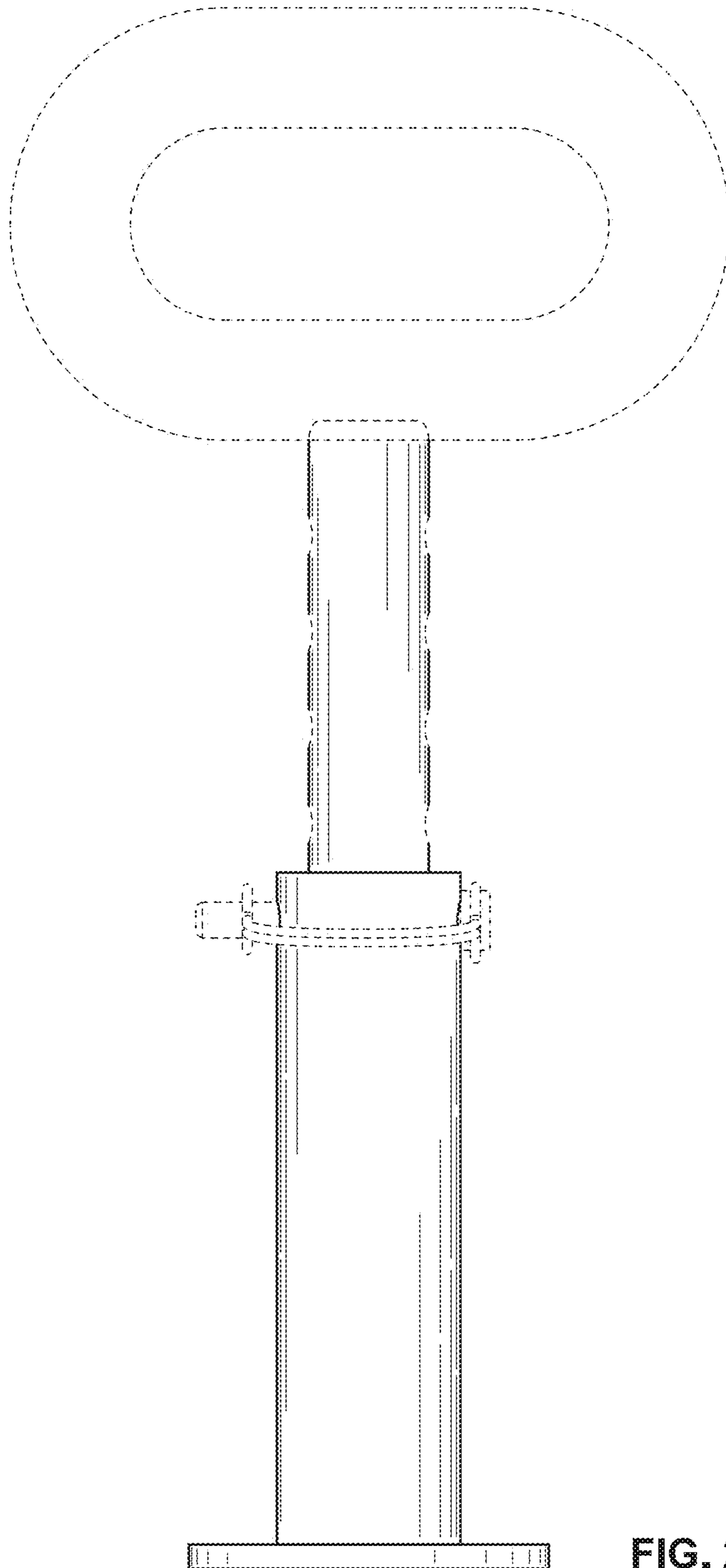


FIG. 2

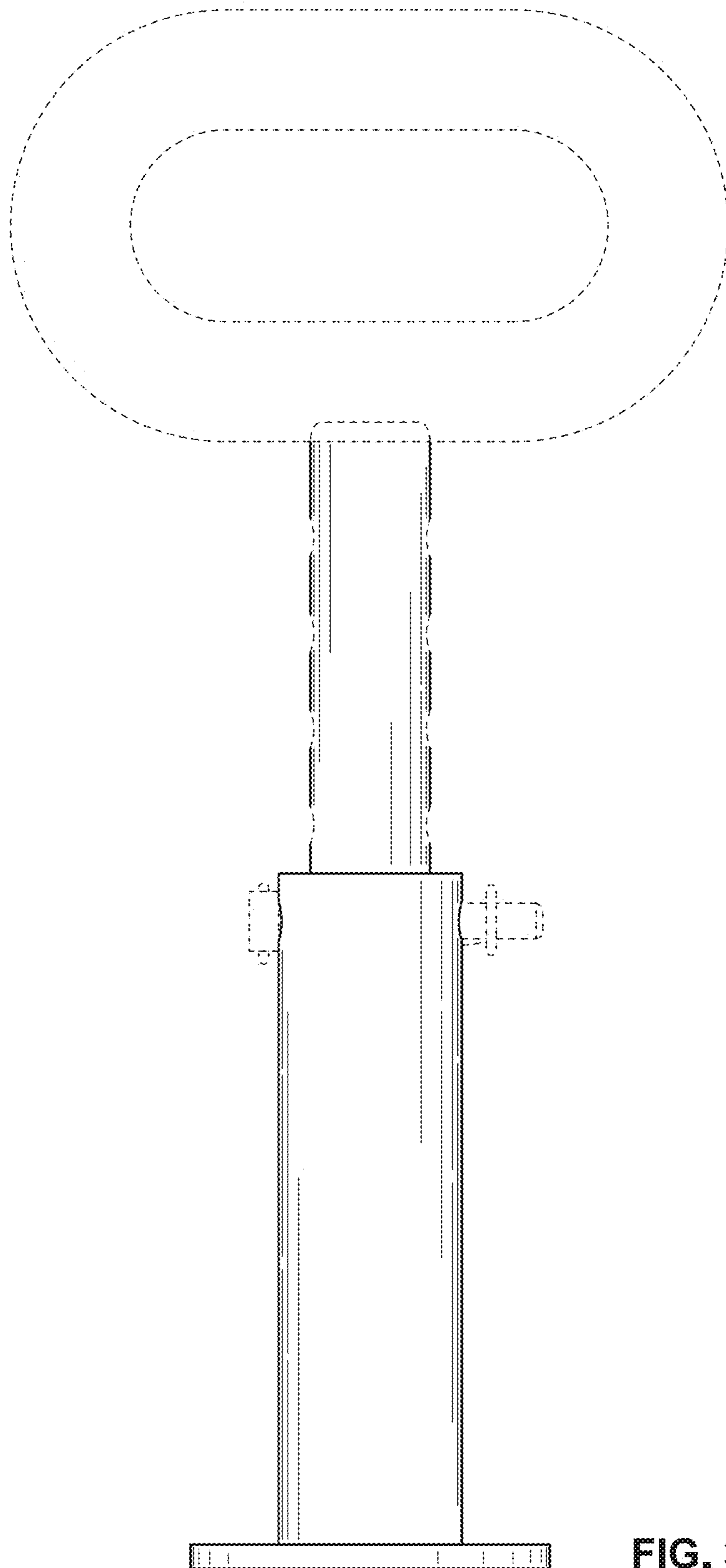


FIG. 3

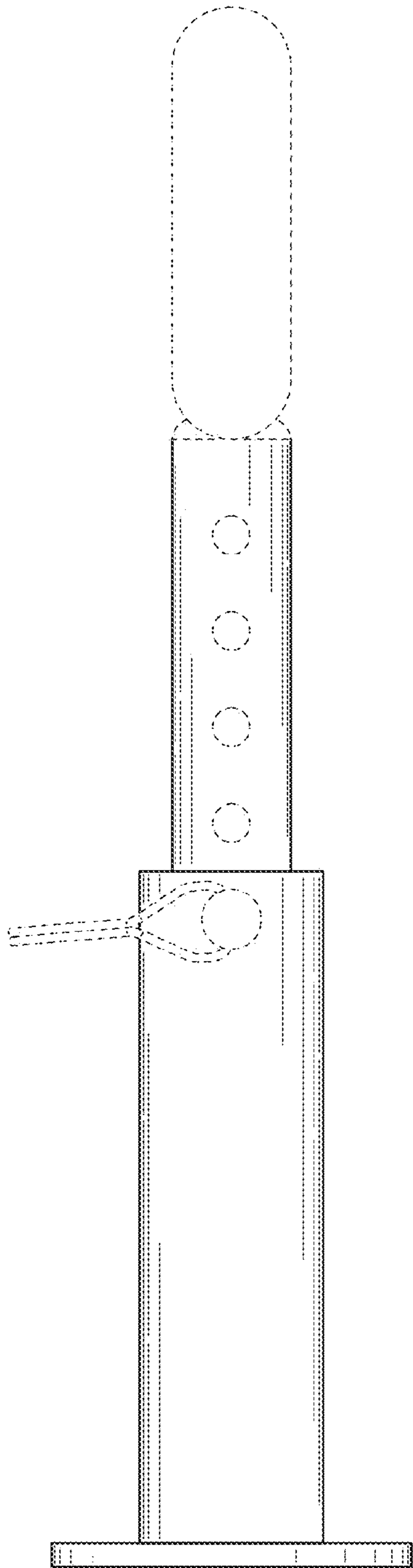


FIG. 4

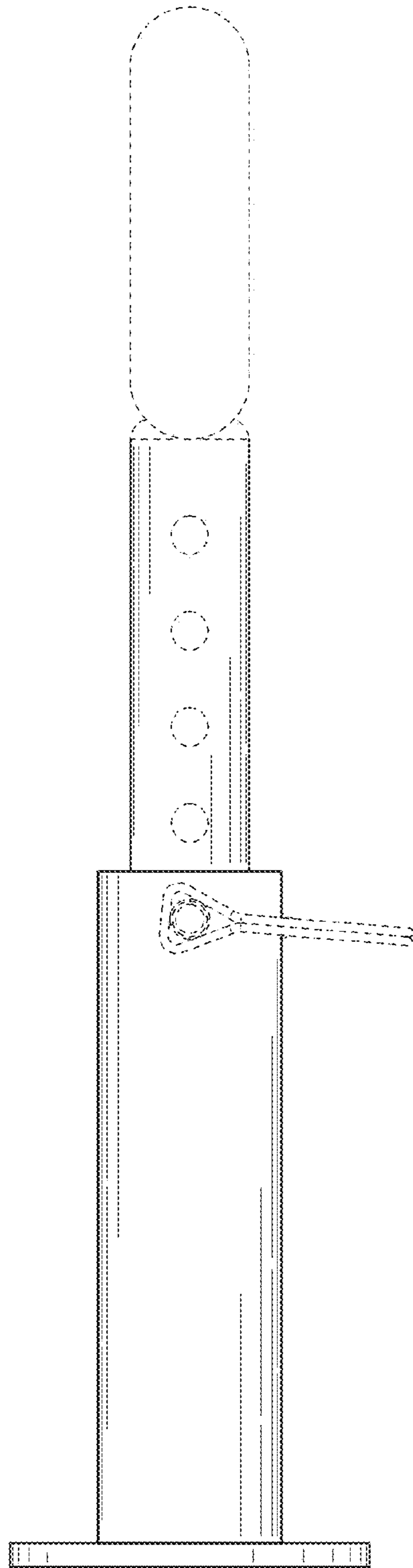


FIG. 5

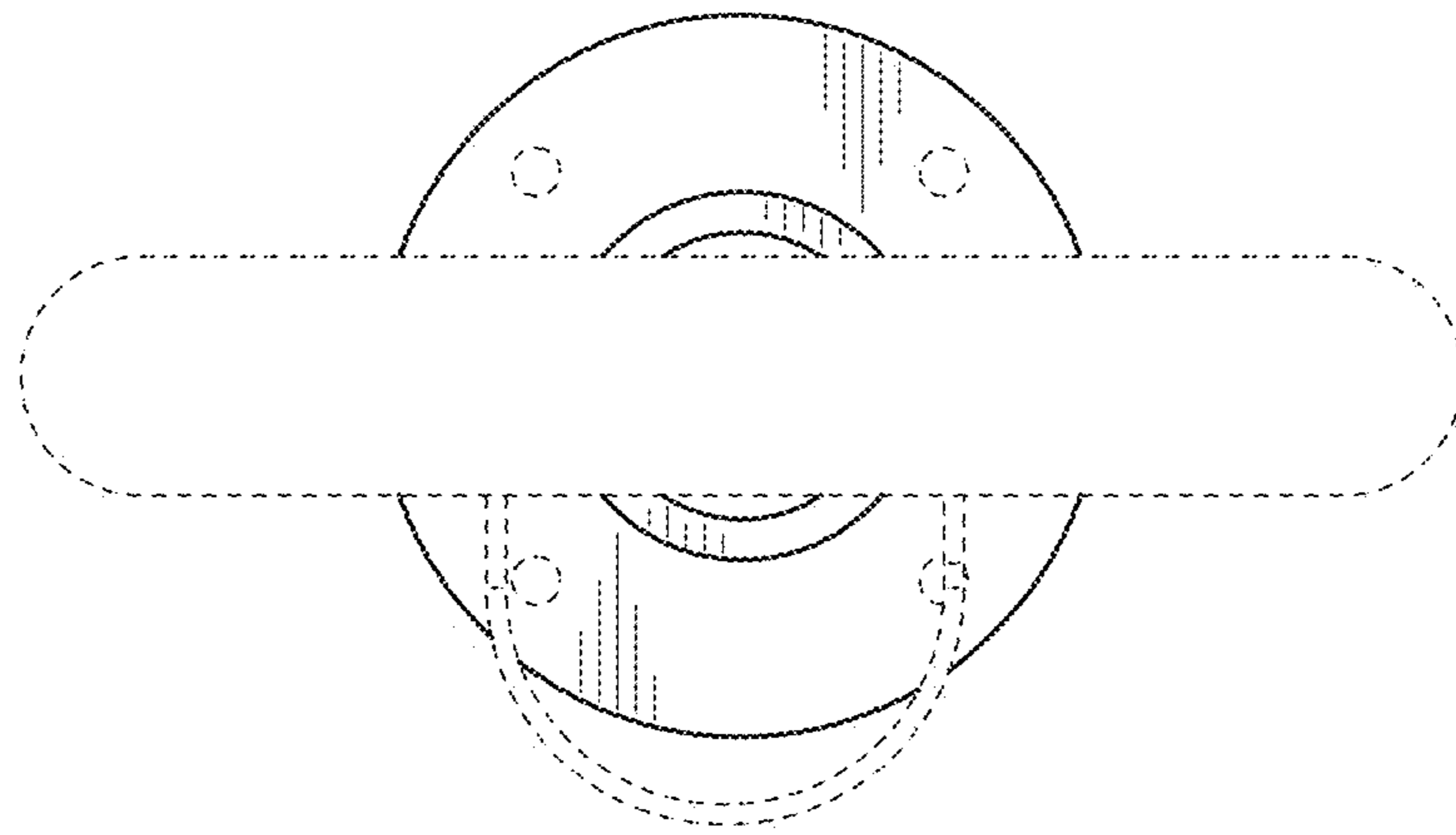


FIG. 6

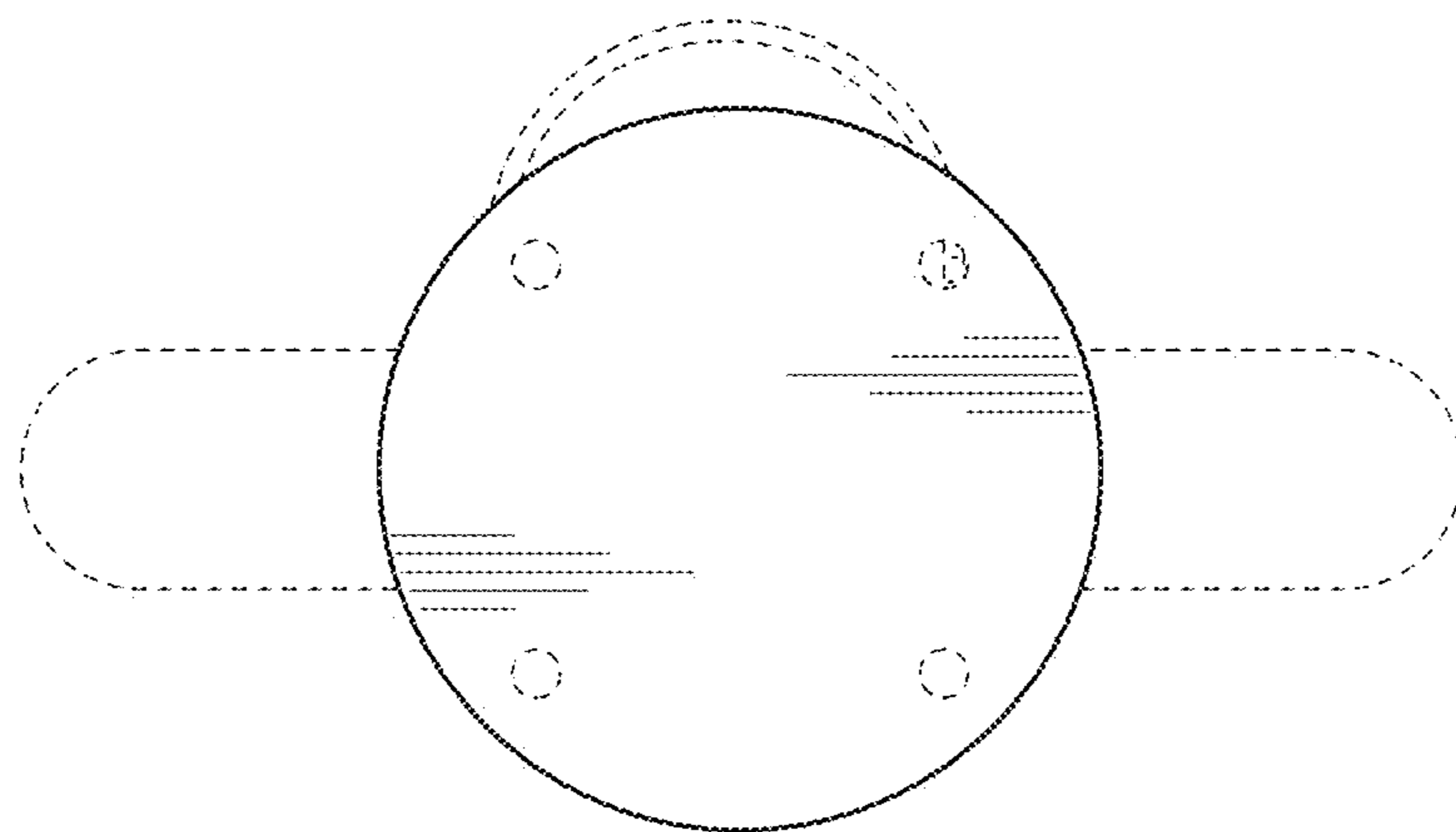


FIG. 7

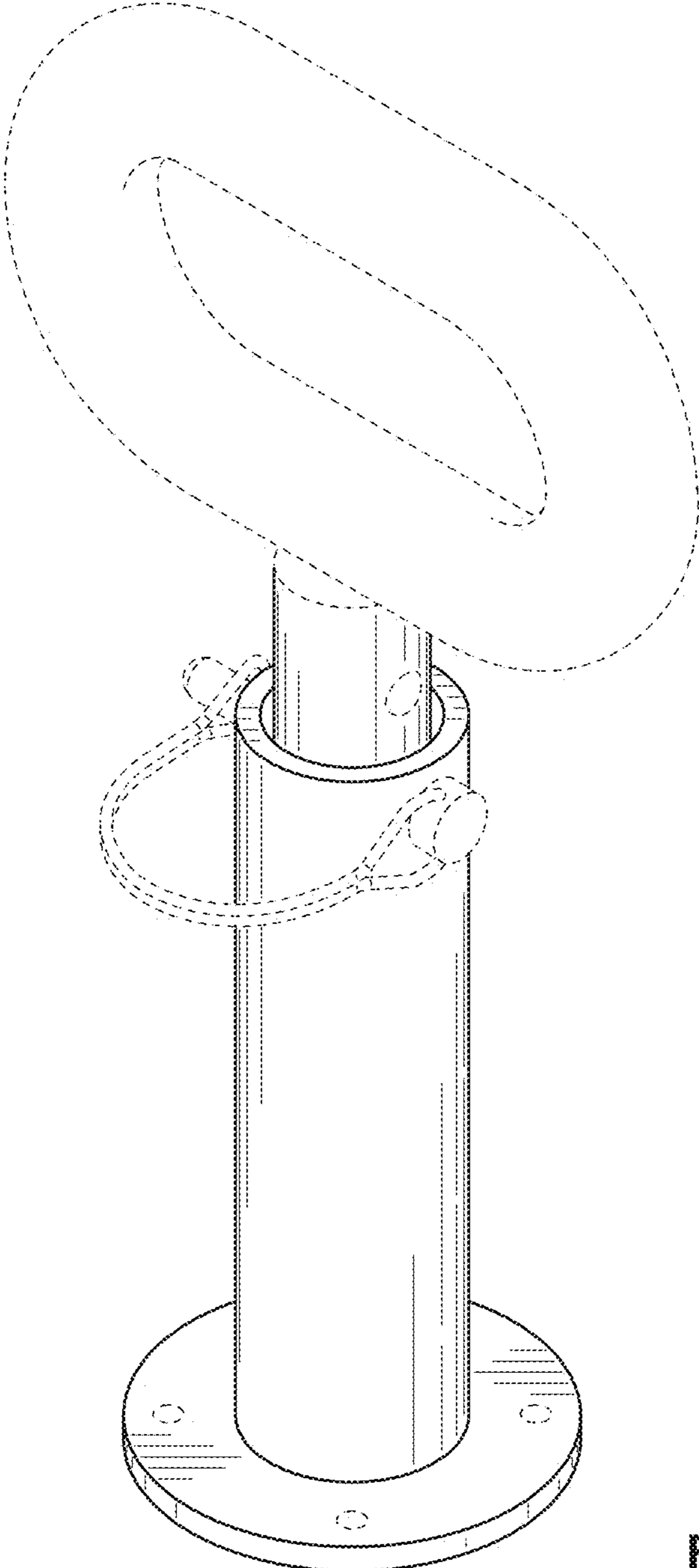


FIG. 8

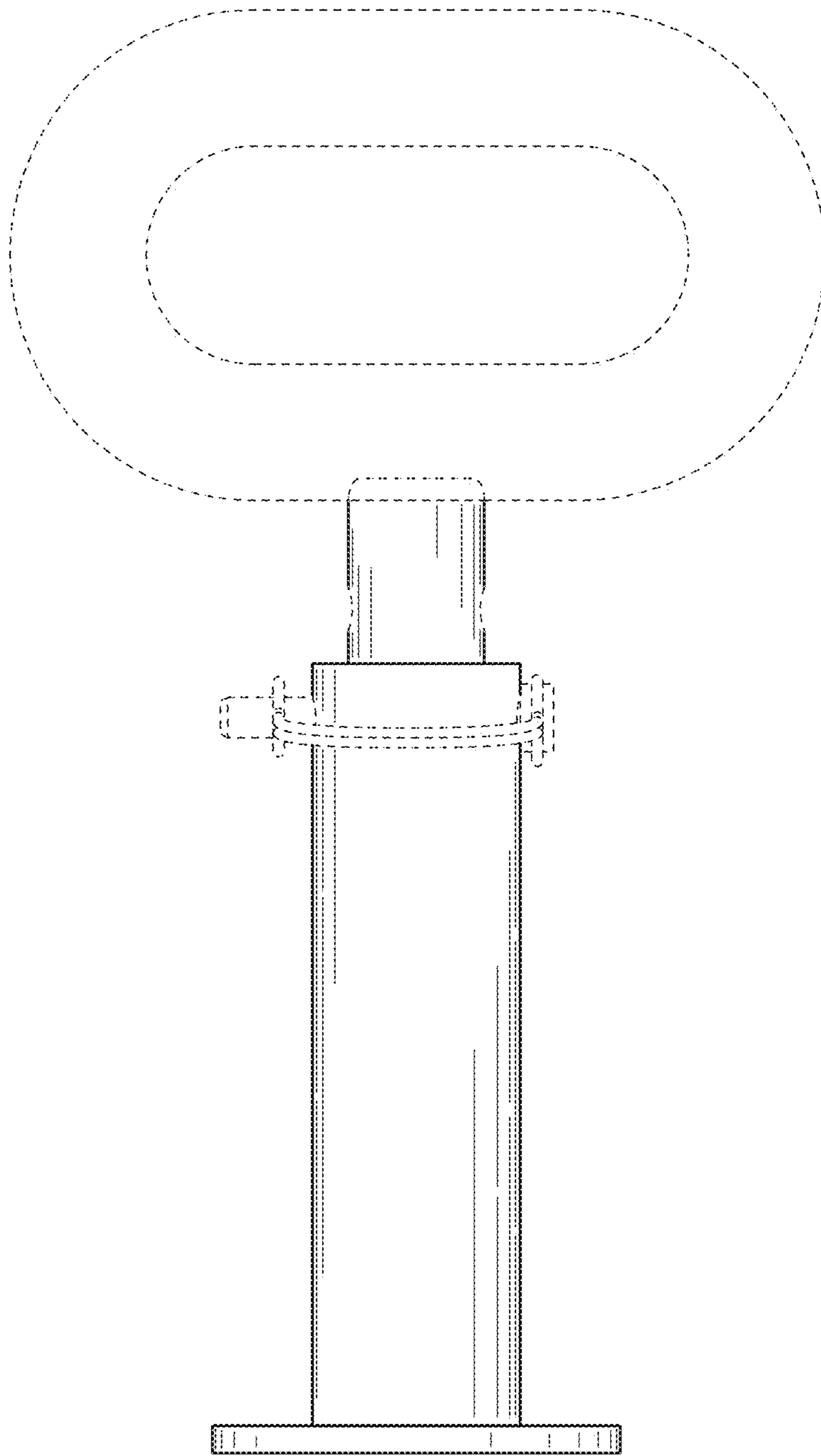


FIG. 9

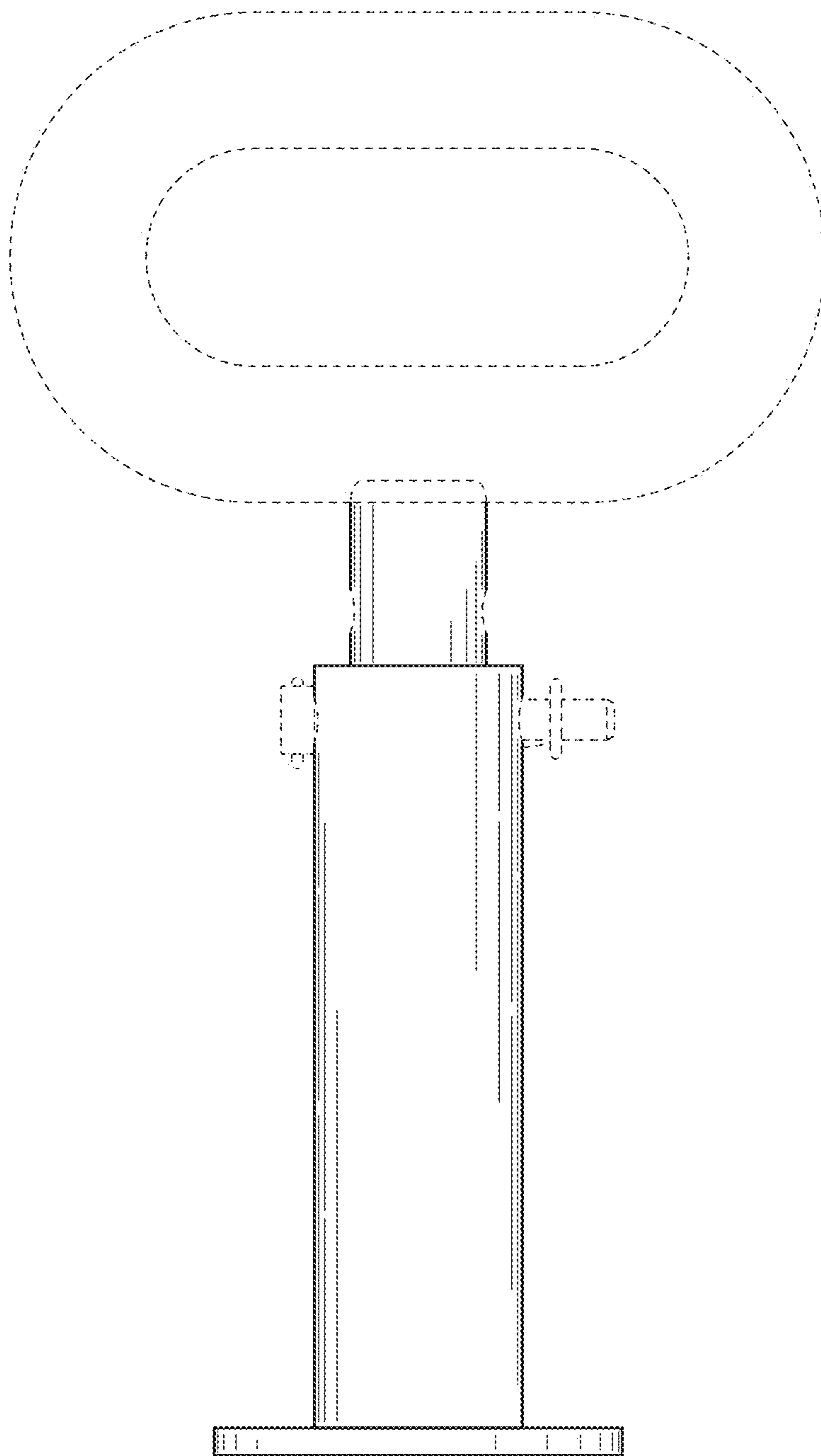


FIG. 10

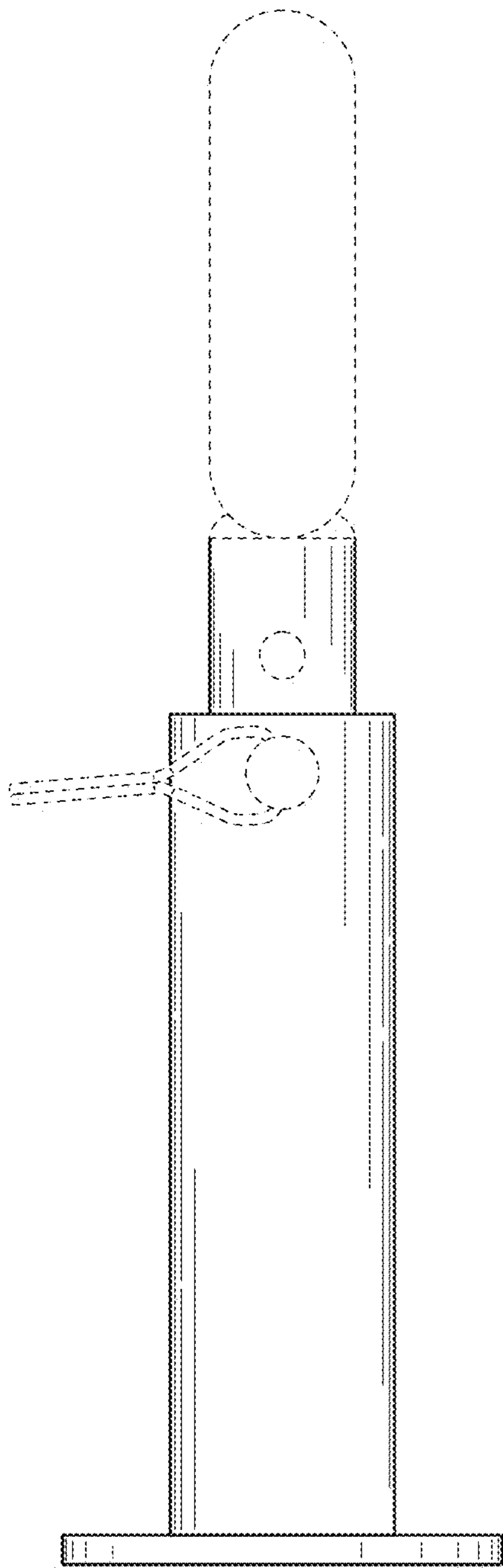


FIG. 11

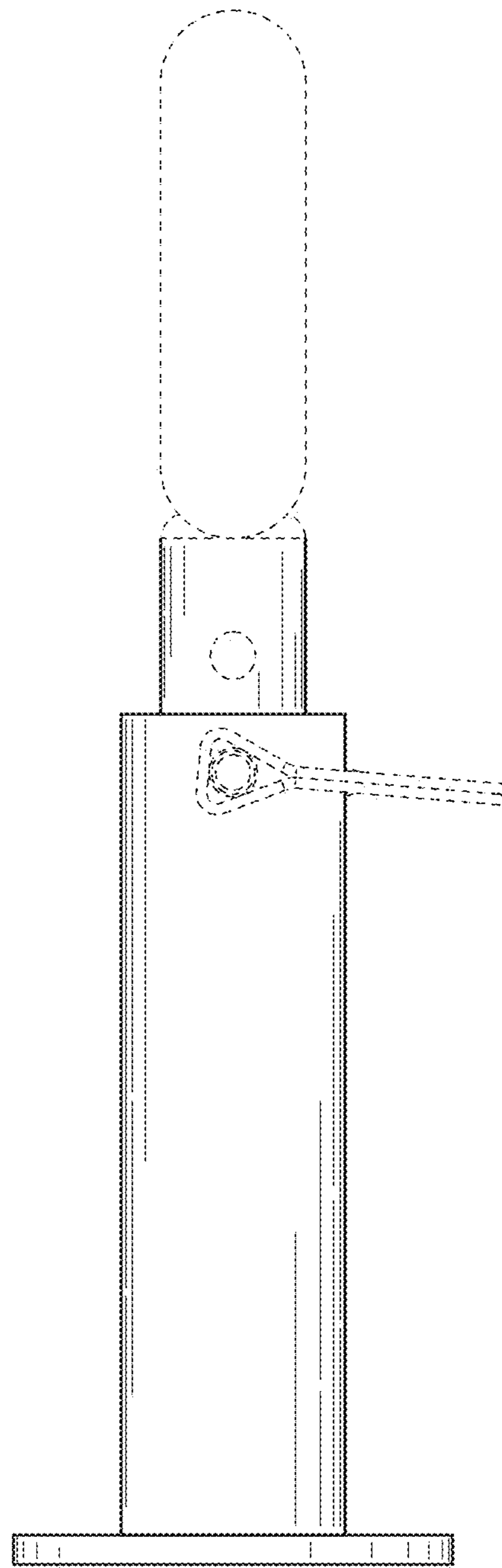


FIG. 12

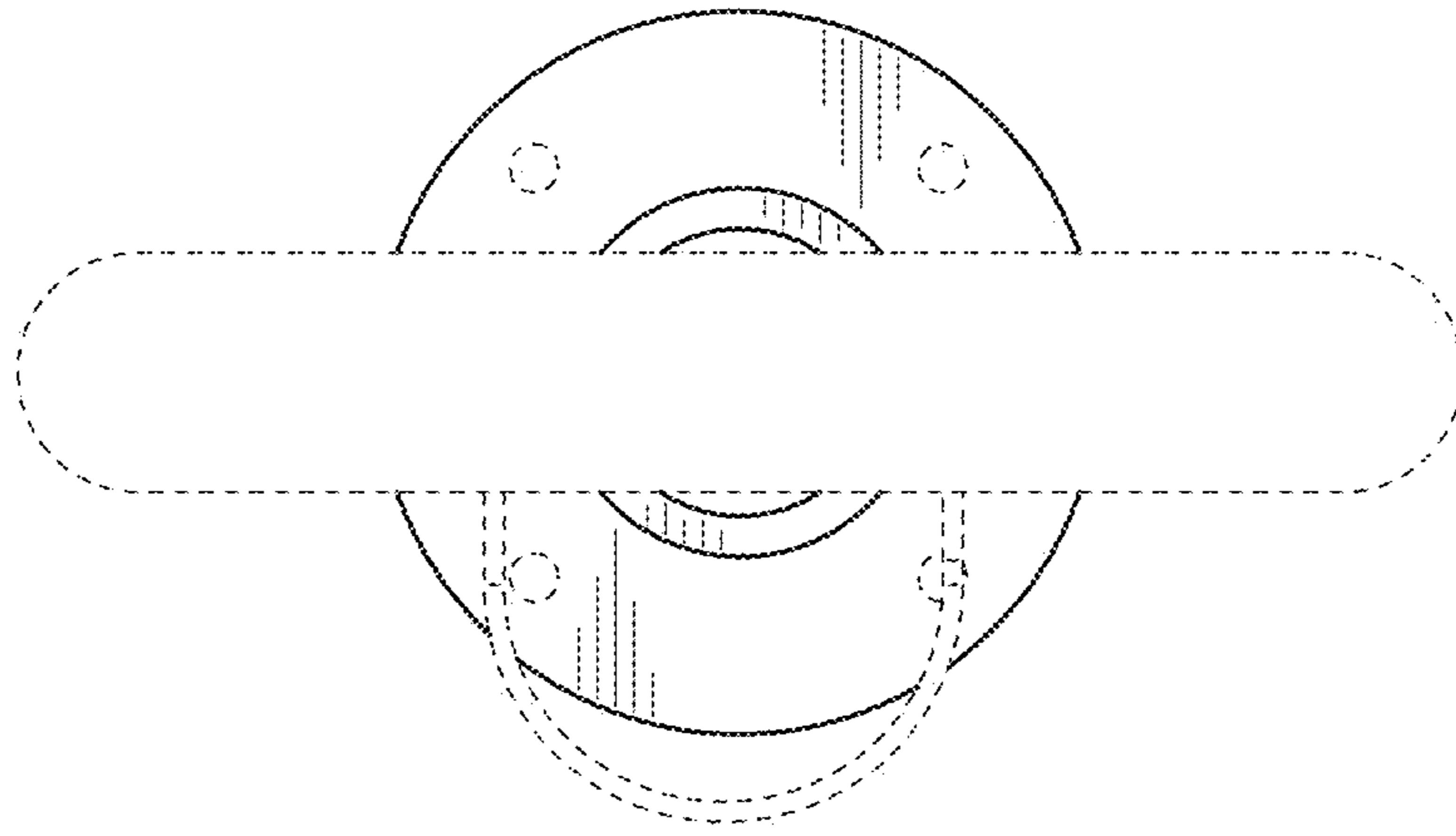


FIG. 13

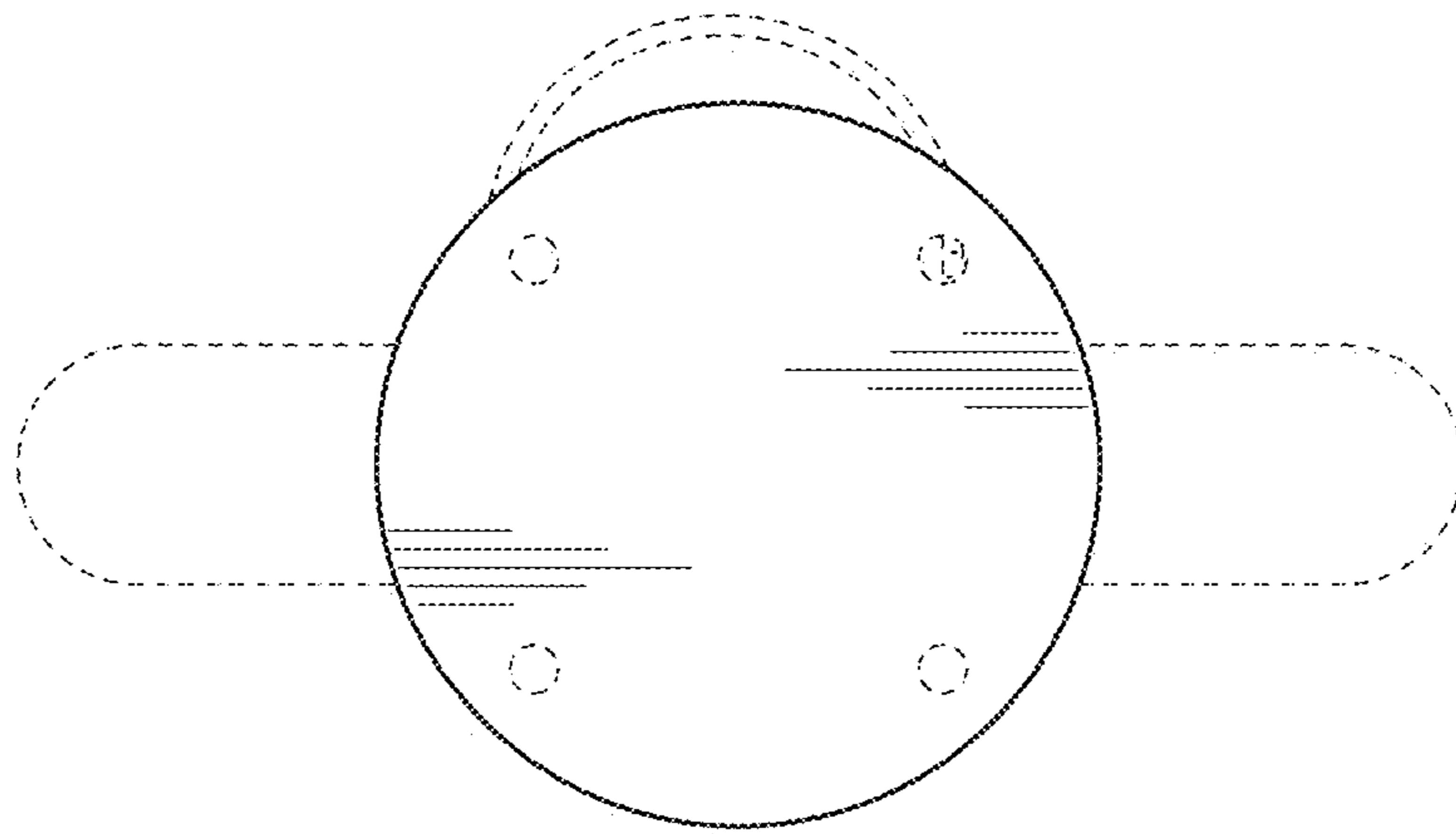


FIG. 14