



US00D974499S

(12) **United States Design Patent**
Kwon et al.

(10) **Patent No.:** **US D974,499 S**
(45) **Date of Patent:** **** Jan. 3, 2023**

- (54) **ROWING MACHINE**
- (71) Applicant: **Hydrow, Inc.**, Cambridge, MA (US)
- (72) Inventors: **Tachak Kwon**, Brookline, MA (US);
Julianna Miller, Boston, MA (US)
- (73) Assignee: **Hydrow, Inc.**, Cambridge, MA (US)
- (**) Term: **15 Years**
- (21) Appl. No.: **29/831,357**
- (22) Filed: **Mar. 18, 2022**

D367,508 S 2/1996 Dreissigacker
 5,707,322 A * 1/1998 Dreissigacker A63B 21/4015
 482/908
 5,865,713 A 2/1999 Hsu
 (Continued)

FOREIGN PATENT DOCUMENTS

AU 202014322 S 8/2020
 AU 202112463 S 4/2021
 (Continued)

OTHER PUBLICATIONS

NordicTrack, announced 2021 [online], [site visited Aug. 18, 2022]. Available on internet, URL: [https://www.amazon.com/NordicTrack-Upgraded-Touchscreen-30-Day-Membership/dp/B0935WXGDK/ref \(Year: 2021\).*](https://www.amazon.com/NordicTrack-Upgraded-Touchscreen-30-Day-Membership/dp/B0935WXGDK/ref (Year: 2021).*)

(Continued)

Primary Examiner — Khawaja Anwar
Assistant Examiner — Julice Seung Eun Oum
 (74) *Attorney, Agent, or Firm* — Fish & Richardson P.C.

(57) **CLAIM**

The ornamental design for a rowing machine, as shown and described.

DESCRIPTION

FIG. 1 is a front perspective view of our rowing machine. FIG. 2 is a front view of FIG. 1. FIG. 3 is a back view of FIG. 1. FIG. 4 is a right-side view of FIG. 1. FIG. 5 is a left side view of FIG. 1. FIG. 6 is a top view of FIG. 1. FIG. 7 is a bottom view of FIG. 1; and, FIG. 8 is a back-perspective view of FIG. 1. The broken lines illustrate environmental features that form no part of the claimed design. Claimed surfaces are illustrated with shading lines.

1 Claim, 8 Drawing Sheets

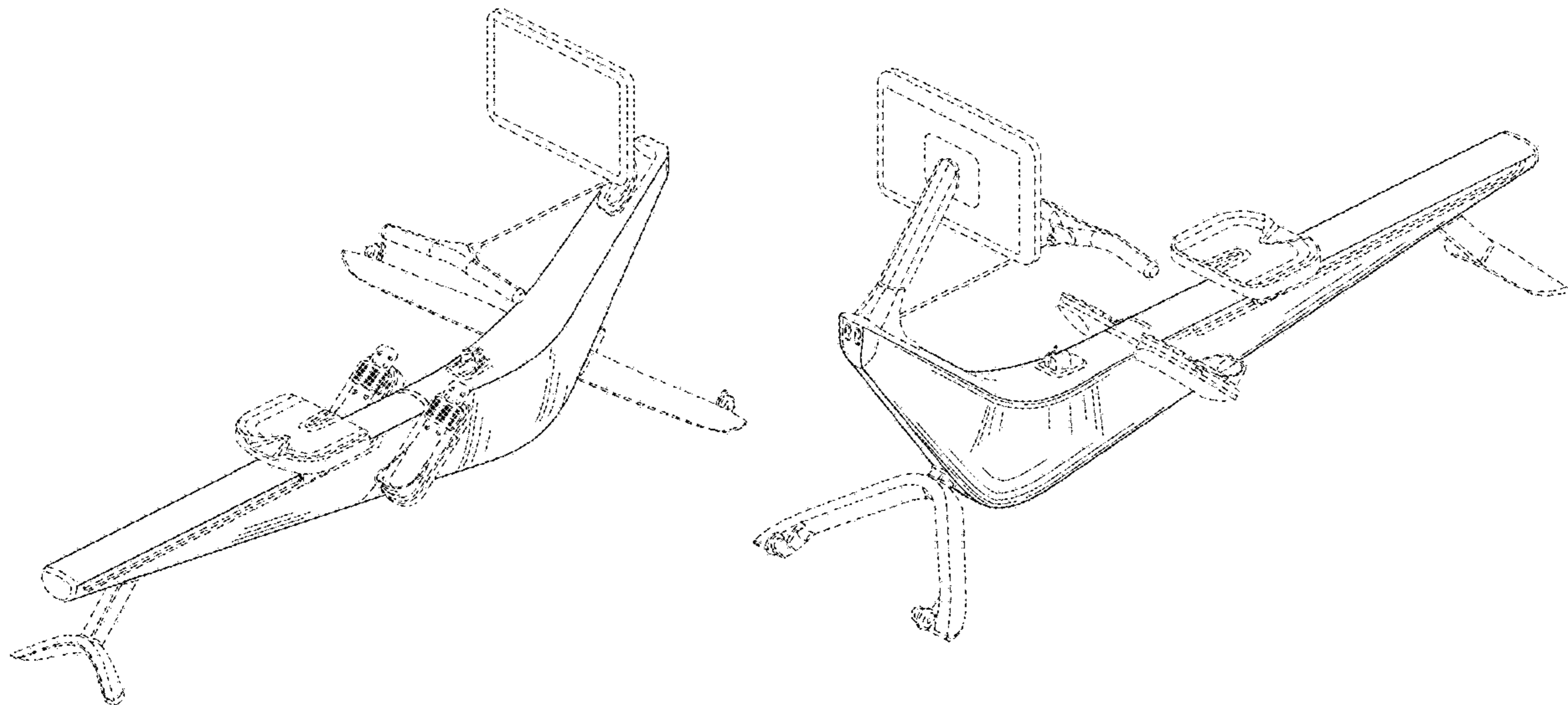
Related U.S. Application Data

- (63) Continuation of application No. 29/750,571, filed on Sep. 15, 2020, which is a continuation of application No. 29/656,695, filed on Jul. 16, 2018, now Pat. No. Des. 898,843.
- (51) **LOC (14) Cl.** **21-02**
- (52) **U.S. Cl.**
USPC **D21/674**
- (58) **Field of Classification Search**
USPC D21/674, 662, 687, 694, 695, 801, 673
See application file for complete search history.

References Cited

U.S. PATENT DOCUMENTS

4,396,188 A 8/1983 Dreissigacker
 4,798,378 A * 1/1989 Jones A63B 22/0076
 482/72
 4,880,224 A * 11/1989 Jonas A63B 21/225
 482/72
 D324,709 S * 3/1992 Lehtonen D21/674
 5,122,105 A * 6/1992 Engel A63B 22/0076
 297/215.11
 D337,799 S 7/1993 Cutter
 D358,855 S 5/1995 Wang



(56)

References Cited

U.S. PATENT DOCUMENTS

6,695,332 B1* 2/2004 Kang B62M 1/36
280/238

6,991,589 B1 1/2006 Patterson

D609,288 S 2/2010 Khubani

D632,746 S 2/2011 Wu

D691,672 S 10/2013 Nichols et al.

D691,678 S 10/2013 Cardillo

D712,493 S 9/2014 Ercanbrack et al.

D741,420 S 10/2015 Campanaro et al.

D741,960 S 10/2015 Campanaro et al.

D788,861 S 6/2017 Campanaro et al.

9,750,972 B1 9/2017 Liu

9,901,768 B1 2/2018 Wu

D839,530 S 2/2019 Brauner et al.

D844,074 S 3/2019 Haqaet

D861,805 S 10/2019 Lisi et al.

10,471,297 B1 11/2019 Smith

10,596,408 B2 3/2020 Stepanian

D898,843 S 10/2020 Kwon

10,828,531 B1 11/2020 Smith

D921,775 S 6/2021 Wu

D922,503 S* 6/2021 Wu D21/674

D923,119 S 6/2021 Hsieh

11,083,930 B1 8/2021 Tipple

D936,160 S 11/2021 Blum

11,400,345 B2* 8/2022 Gore G06F 3/0338

2003/0216227 A1 11/2003 Smith

2004/0248713 A1 12/2004 Campanaro et al.

2005/0085348 A1 4/2005 Kiefer et al.

2005/0277521 A1 12/2005 Lat

2006/0009335 A1* 1/2006 Smith A63B 21/153
482/72

2006/0189455 A1 8/2006 Yang

2007/0082793 A1 4/2007 Yang

2008/0261782 A1* 10/2008 Campbell A63B 22/0076
482/72

2009/0163323 A1 6/2009 Bocchicchio

2011/0028278 A1 2/2011 Roach

2011/0152041 A1* 6/2011 Francis B63H 16/02
482/79

2011/0082015 A1 7/2011 Dreissigacker et al.

2012/0225753 A1 9/2012 Lim

2013/0109538 A1 5/2013 Ho

2013/0150216 A1* 6/2013 Bell A63B 23/0222
482/72

2014/0370767 A1* 12/2014 Kachkovsky B63B 7/04
440/27

2016/0001123 A1 1/2016 Parrish, Jr.

2016/0144223 A1 5/2016 Dalebout et al.

2017/0014669 A1* 1/2017 Hall A63B 22/0076

2017/0043208 A1 2/2017 Lonergan

2018/0056117 A1 3/2018 Hamilton

2018/0126216 A1* 5/2018 Hamilton A63B 21/151

2018/0169463 A1 6/2018 Ellis et al.

2018/0272182 A1 9/2018 Hou et al.

2019/0126099 A1* 5/2019 Hoang A63F 13/335

2019/0192899 A1* 6/2019 Dubin A63B 69/0057

2019/0201740 A1 7/2019 Robert

2020/0001130 A1 1/2020 Schwarz

2020/0023231 A1 1/2020 Hsieh

2020/0269085 A1 8/2020 Pfaff

2020/0376328 A1* 12/2020 Smith A63B 21/0056

2020/0384305 A1* 12/2020 Hsieh A63B 21/0084

2021/0101047 A1 4/2021 Chang

2021/0101052 A1 4/2021 Gore

2021/0121735 A1 4/2021 Chou

2021/0170221 A1 6/2021 Hsu

2021/0244996 A1 8/2021 Gearon

2021/0275858 A1 9/2021 Ross

FOREIGN PATENT DOCUMENTS

AU 202113973 S 7/2021

CN 202130057986.7 * 7/2021

GB 6119621 S 2/2021

KR 3005472670000 12/2009

TW D200907 S 1/2019

OTHER PUBLICATIONS

Echelon store, announced 2020 [online], [site visited Aug. 18, 2022]. Available on internet, URL:https://www.amazon.com/dp/B08BQS7PKY/ref (Year: 2020).*

Bluefin, announced 2019 [online], [site visited Aug. 18, 2022]. Available on internet, URL:https://www.amazon.com/Bluefin-Fitness-Foldable-Resistance-Smartphone/dp/B07SRVFPDF/ref (Year: 2019).*

Eurasian Preliminary Examination Report in Eurasian Application No. 006039020-0001 dated Jan. 24, 2019, 5 pages.

Taiwanese Notice of Allowance in Taiwanese Application No. 108300308, dated Jul. 8, 2019, 15 pages with English Translation. USPTO Transaction History for Application No. 29/656,695, downloaded on Sep. 17, 2019.

* cited by examiner

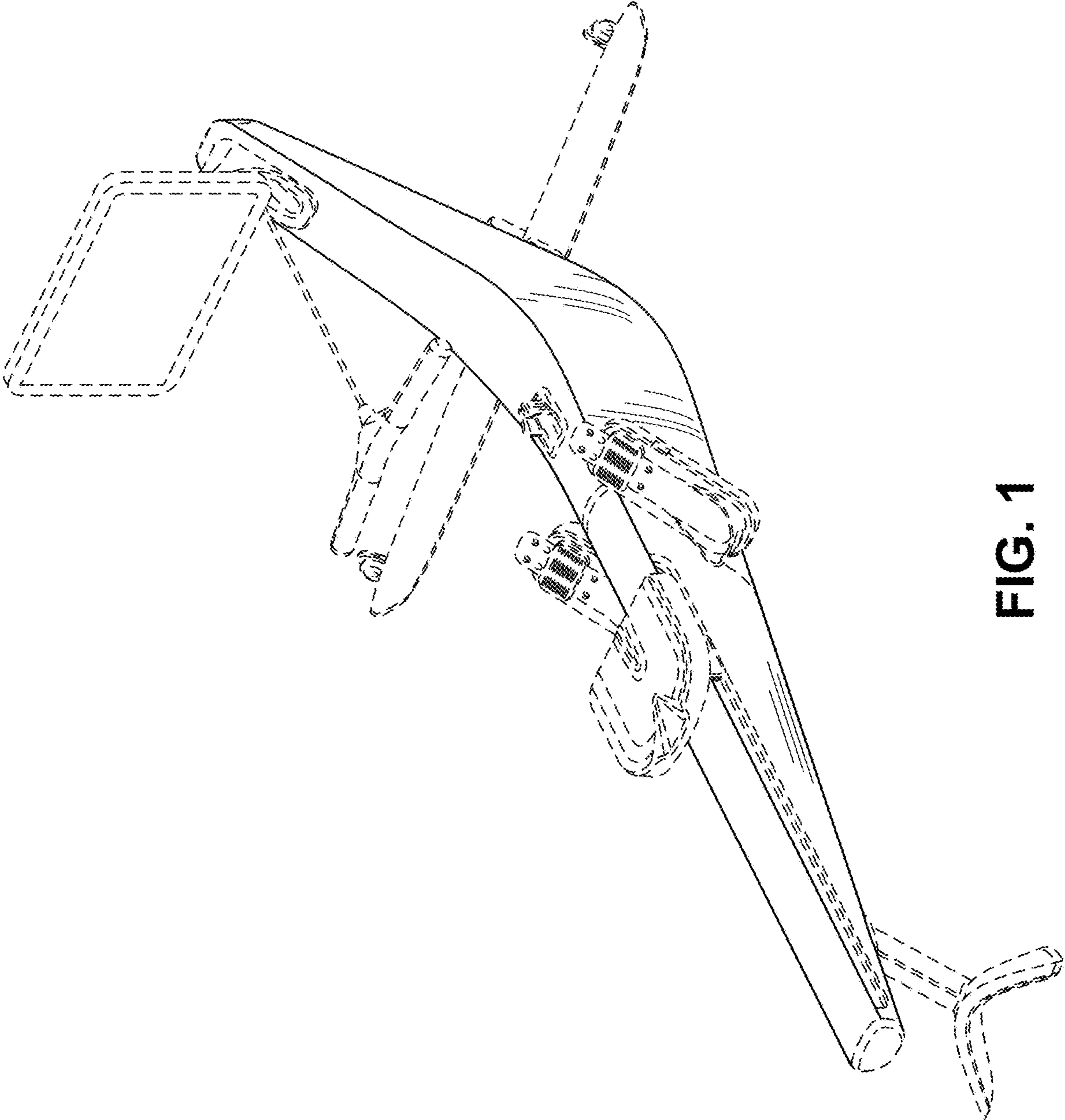


FIG. 1

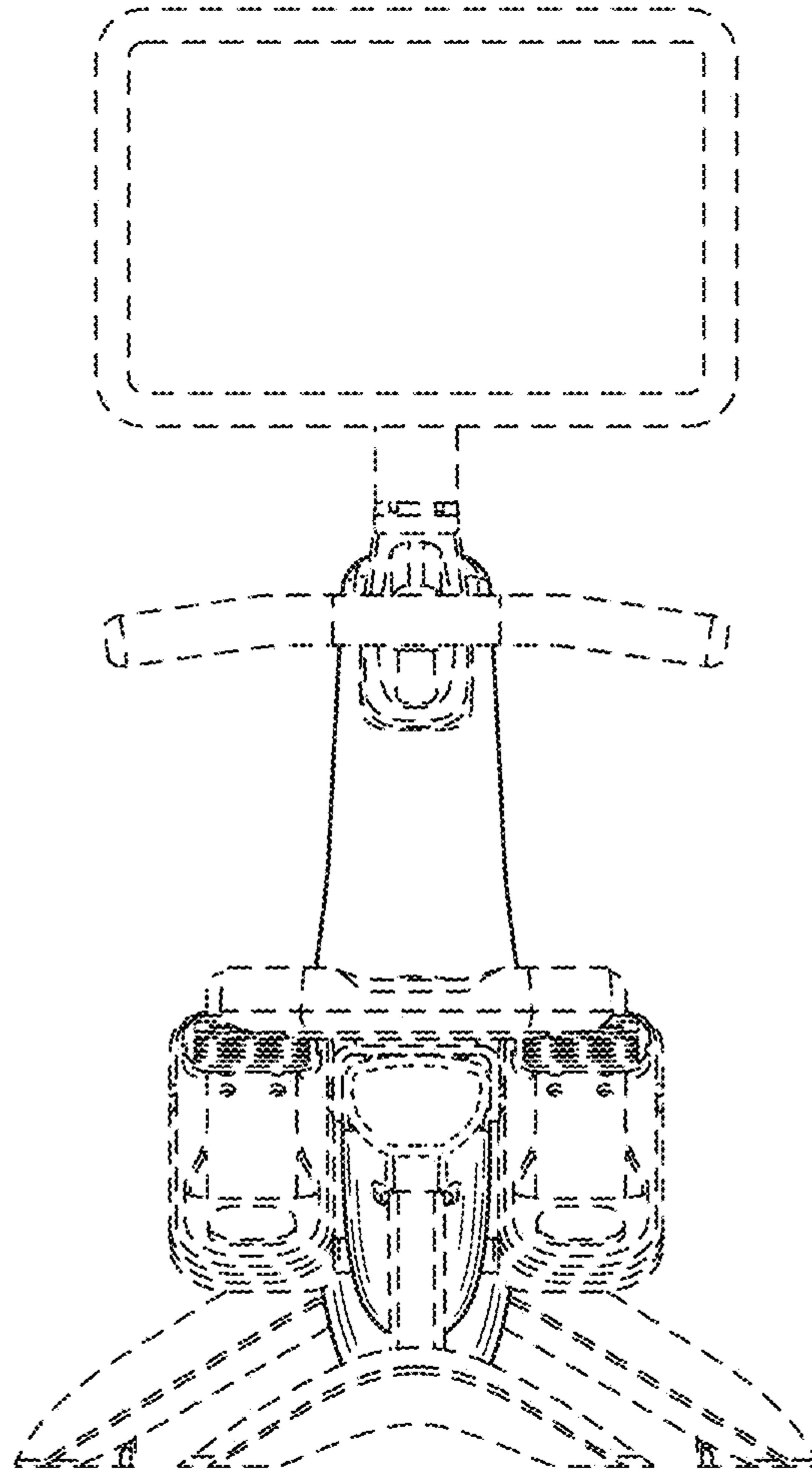


FIG. 2

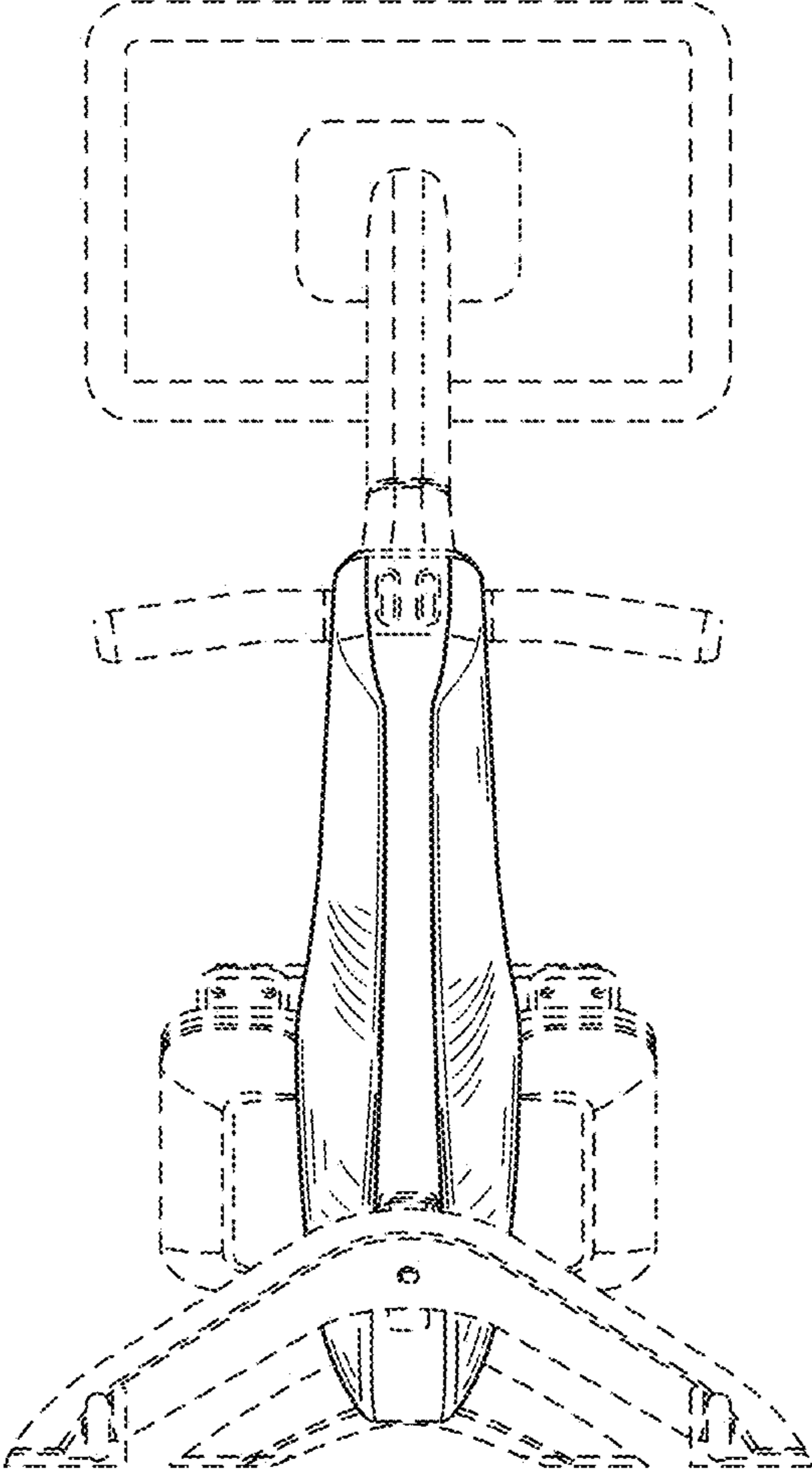


FIG. 3

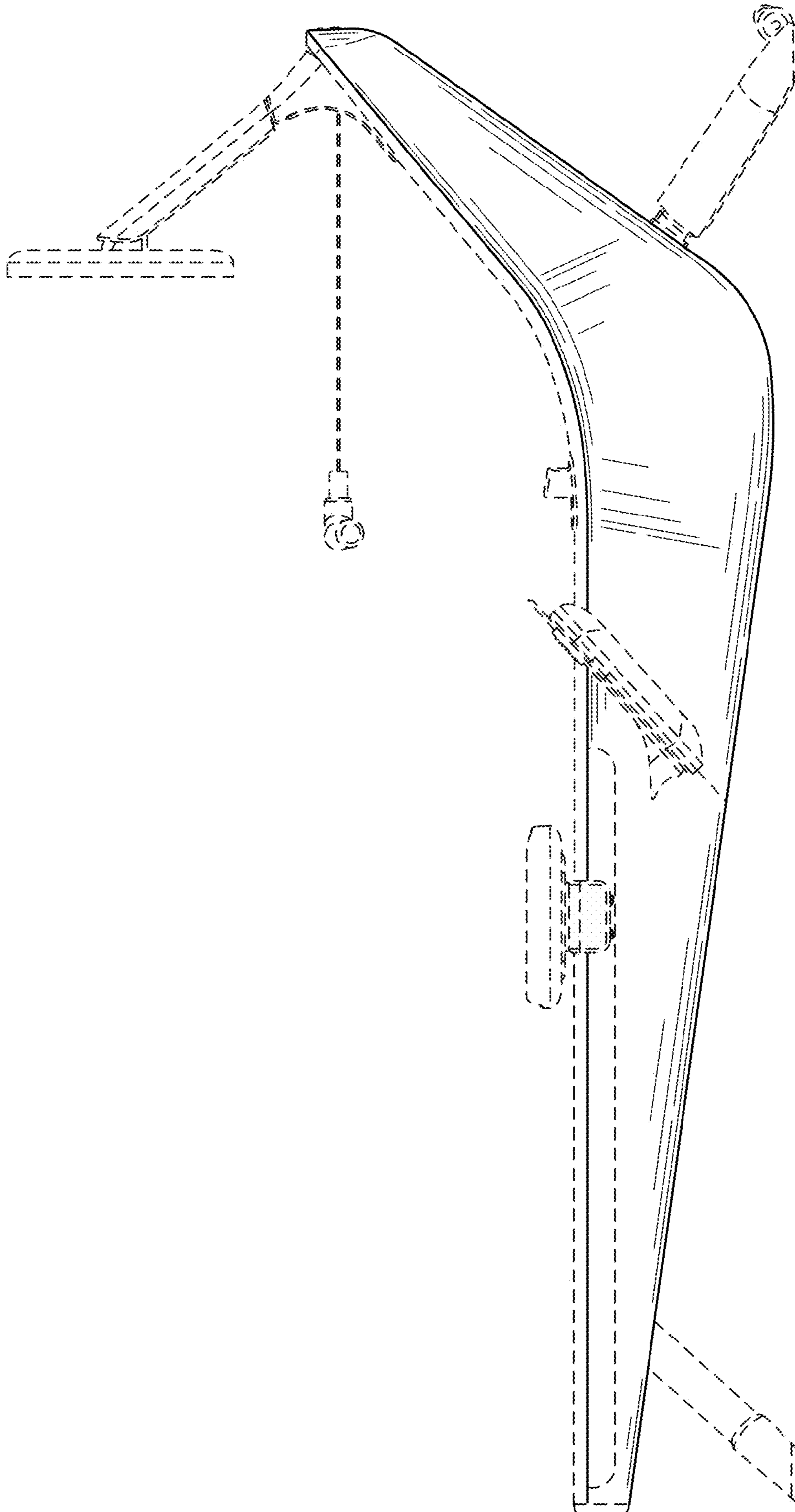


FIG. 4

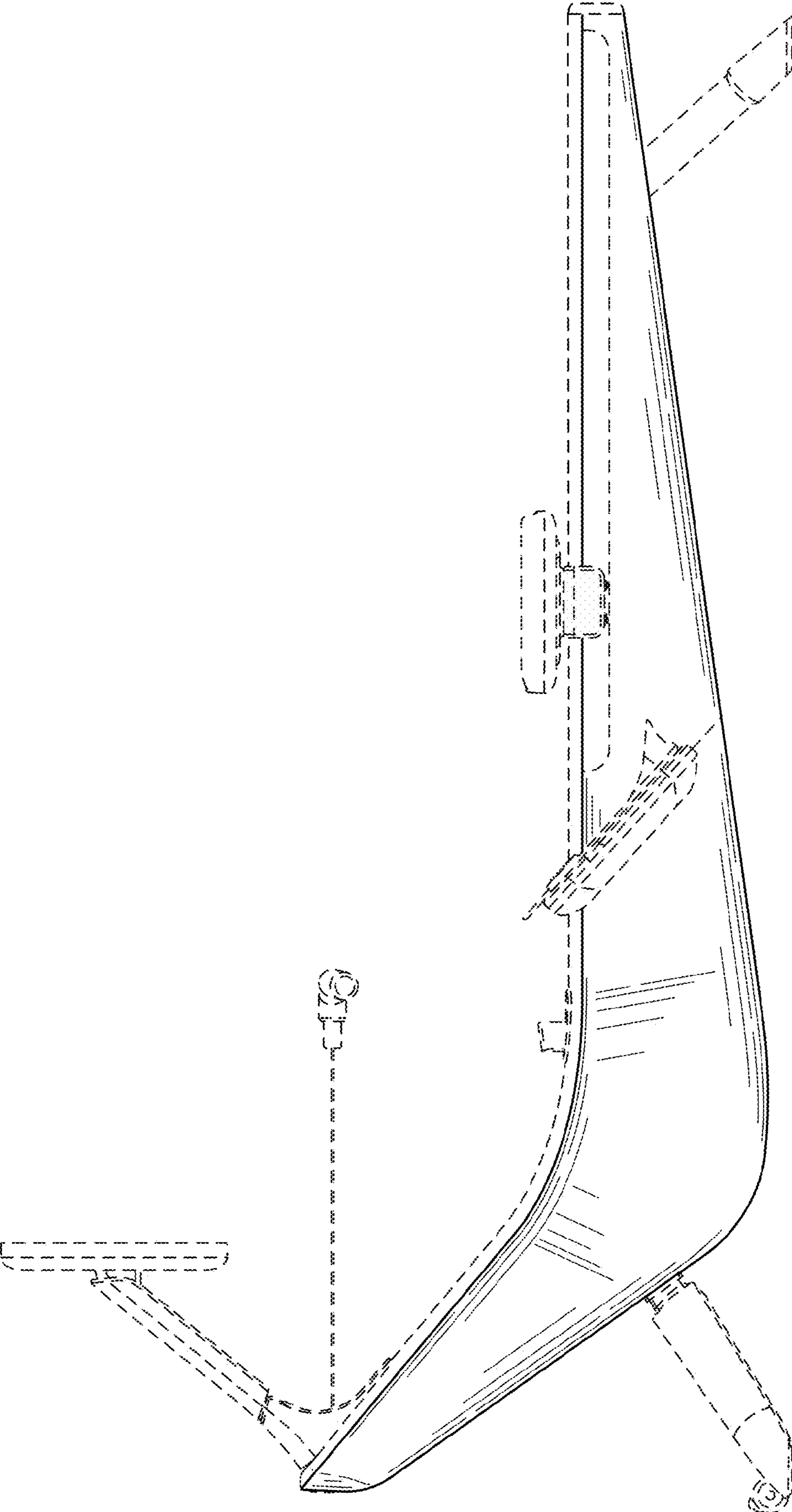


FIG. 5

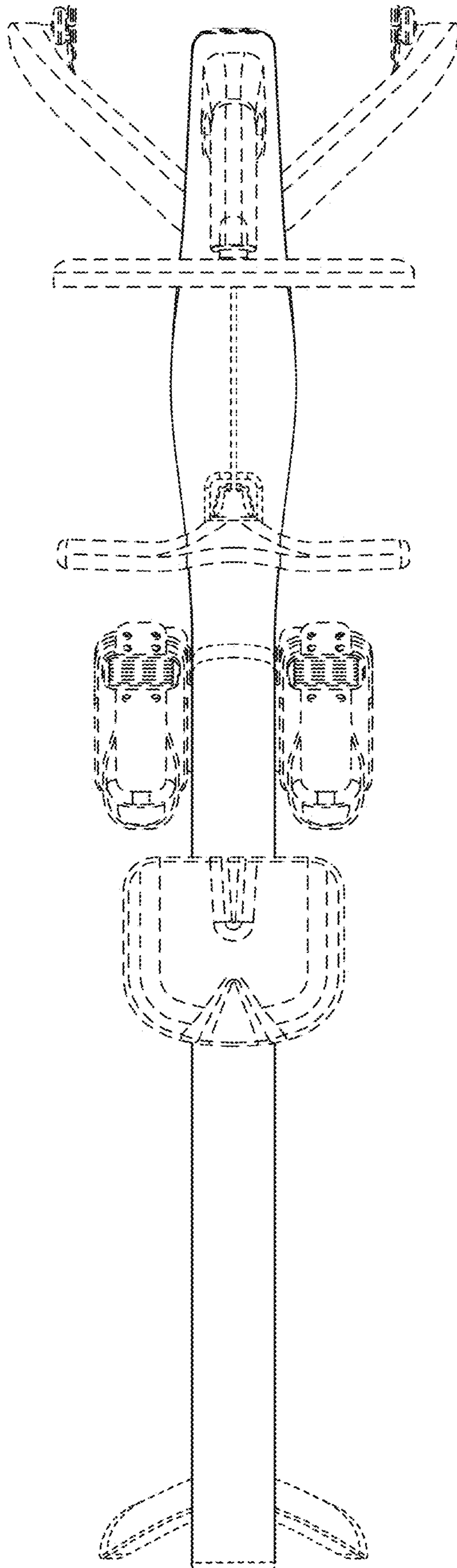


FIG. 6

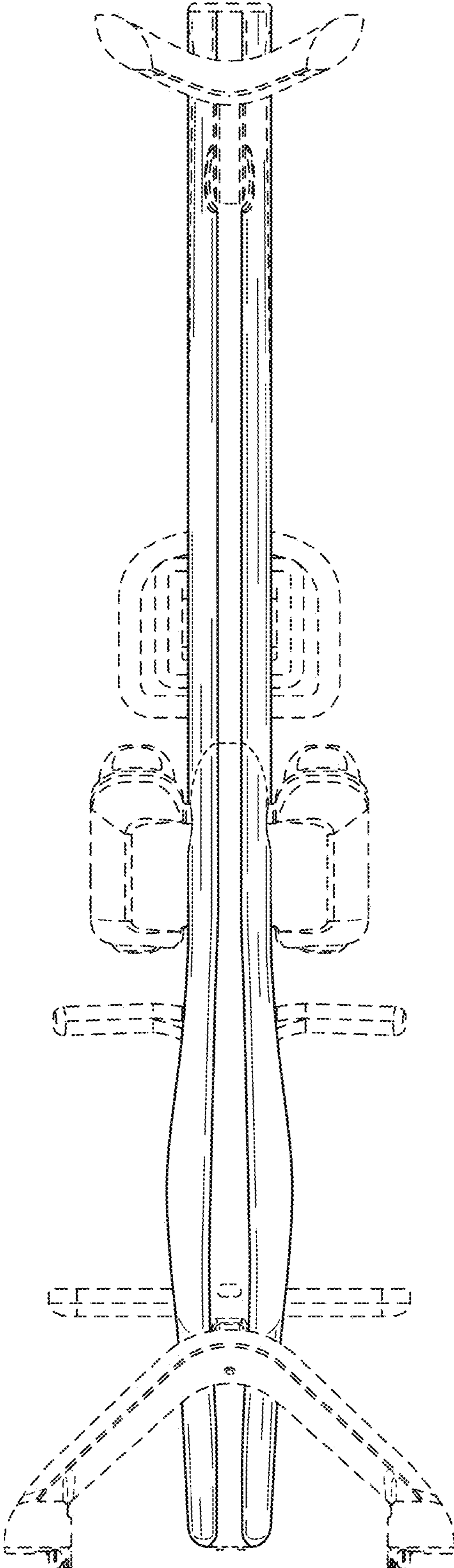


FIG. 7

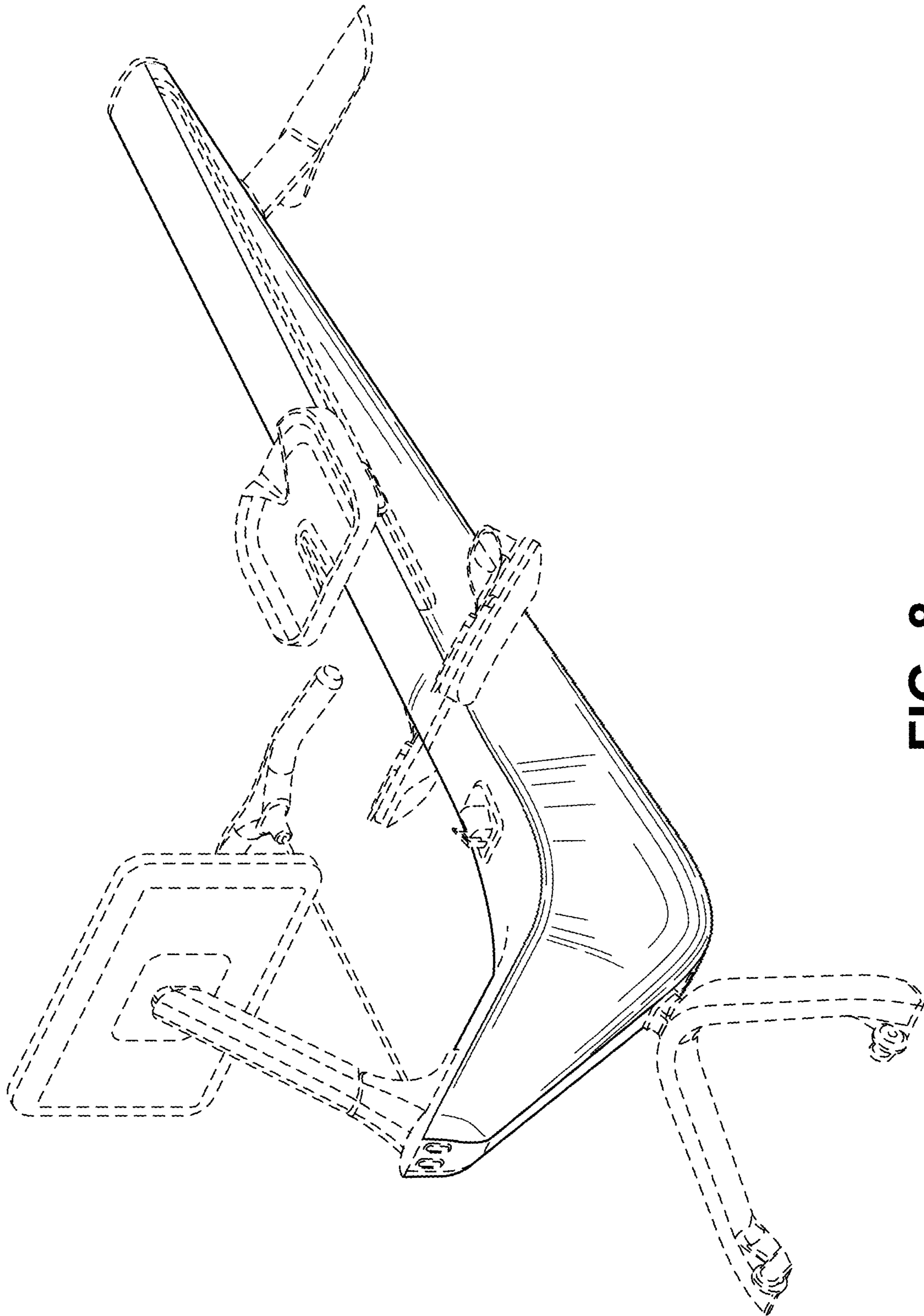


FIG. 8